

Spare parts list

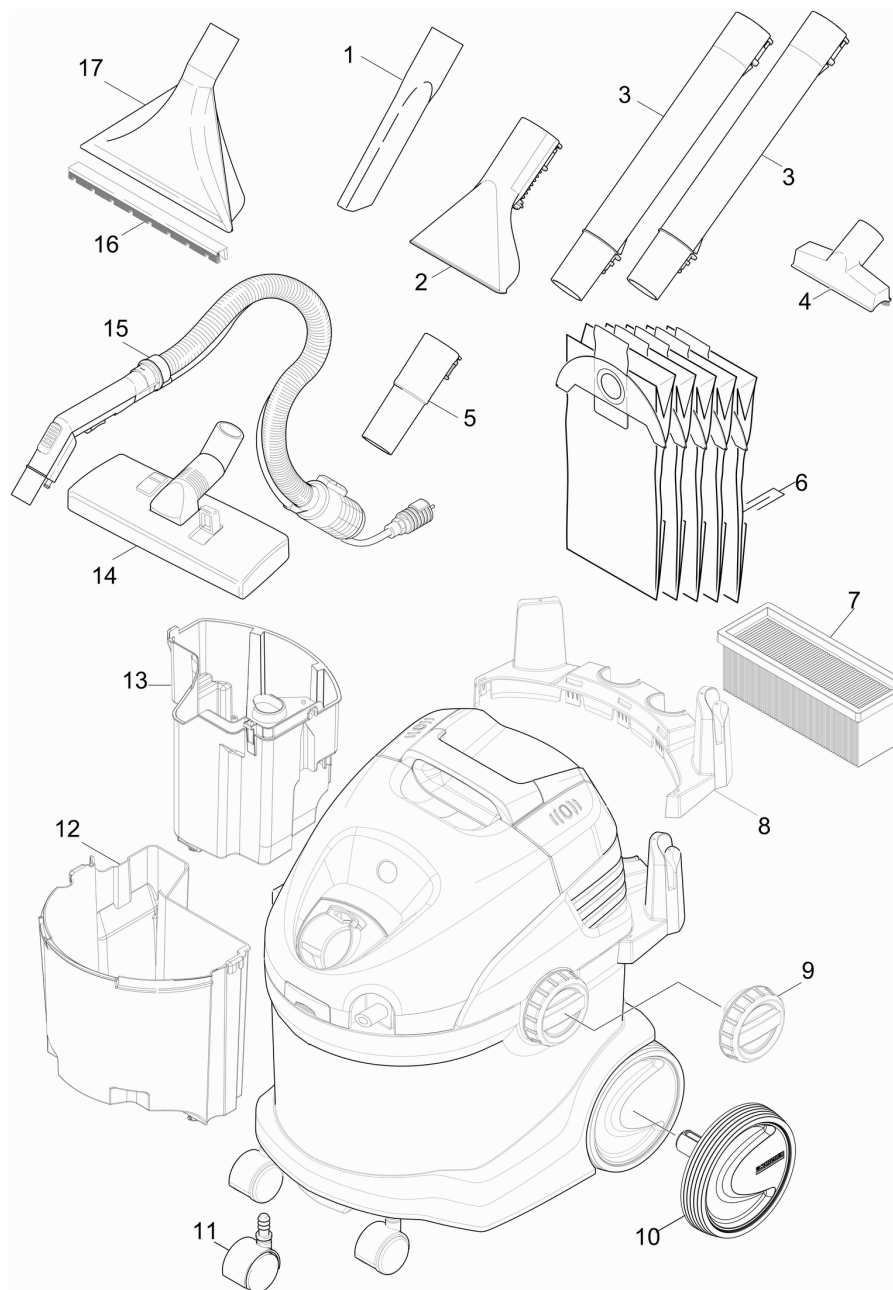
(1.081-220.0) SE 6.100 (white) *EU

Table of contents

SE 6.100 (white) *EU (1.081-220.0)	3
Short spare parts list	4
1 Spare parts list SE 6.100 (5.971-237.0)	6
10 Cover	7
20 Vacuum motor	9
30 Tank	11
40 Accessories	13

SE 6.100 (white) *EU (1.081-220.0)

POS	Article no.	Description	Quantity	Unit
0		Short spare parts list	1.000	ST
1	5.971-237.0	Spare parts list SE 6.100	1.000	ST

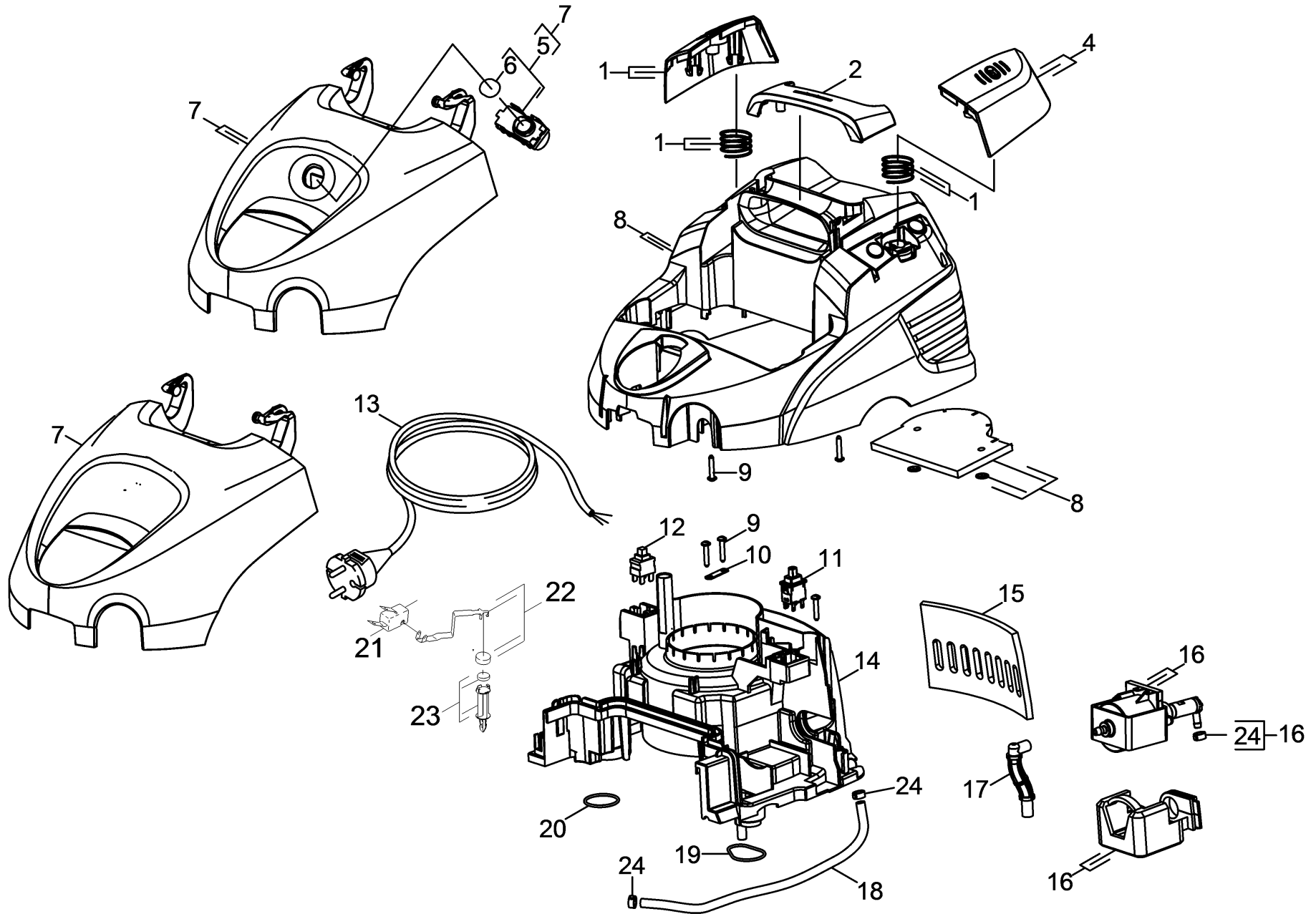


Short spare parts list

POS	Article no.	Description	Quantity	Unit
8	9.412-340.0	Accessory Holder	1.000	ST
5	9.012-279.0	Adapter /ADATTATORE ACC.SE	1.000	ST
16	9.012-276.0	Carpet nozzle Spray-Ex	1.000	ST
17	9.012-276.0	Carpet nozzle Spray-Ex	1.000	ST
11	6.435-353.0	Castor D 42	1.000	ST
14	6.906-511.0	Combination nozzle DN35	1.000	ST
1	6.900-385.0	Crevice nozzle DN35	1.000	ST
3	9.012-468.0	Extension pipe SE 4002/TUBO PROLUNGA SE	2.000	ST
6	6.904-143.0	Filter kit WD/SE	1.000	ZSA
7	6.414-498.0	Flat-pleated filter SE	1.000	ST
13	9.001-803.0	Fresh water tank	1.000	ST
15	9.437-025.0	Hose complete SE	1.000	ST
9	9.001-801.0	Set closure SE5/6	1.000	ST
4	6.905-998.0	Upholstery nozzle complete NW35	1.000	ST
2	2.885-018.0	Upholstery spray extraction nozzle SE	1.000	ST
12	9.001-804.0	Waste water tank	1.000	ST
10	9.412-213.0	Wheel complete	1.000	ST

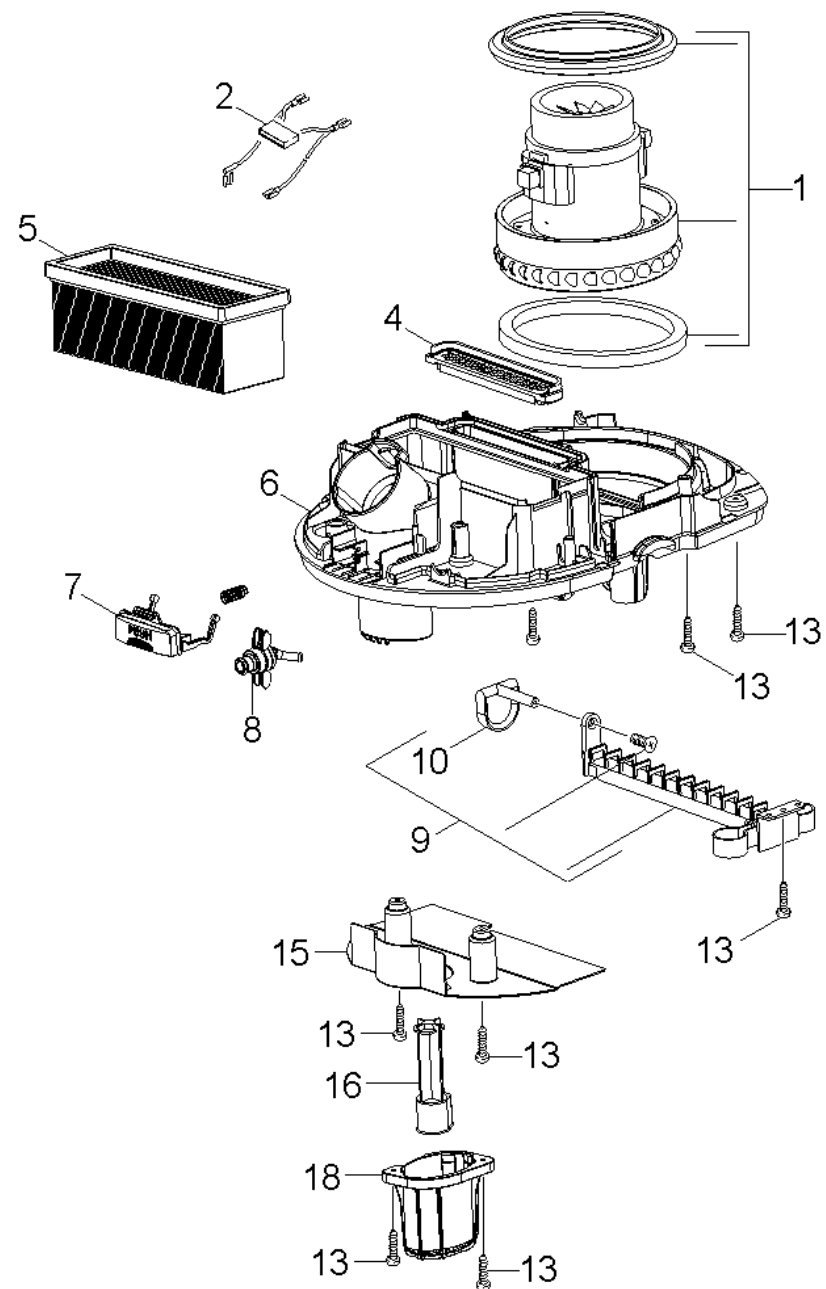
1 Spare parts list SE 6.100 (5.971-237.0)

POS	Description	Quantity	Unit
40	Accessories	1.000	ST
10	Cover	1.000	ST
30	Tank	1.000	ST
20	Vacuum motor	1.000	ST



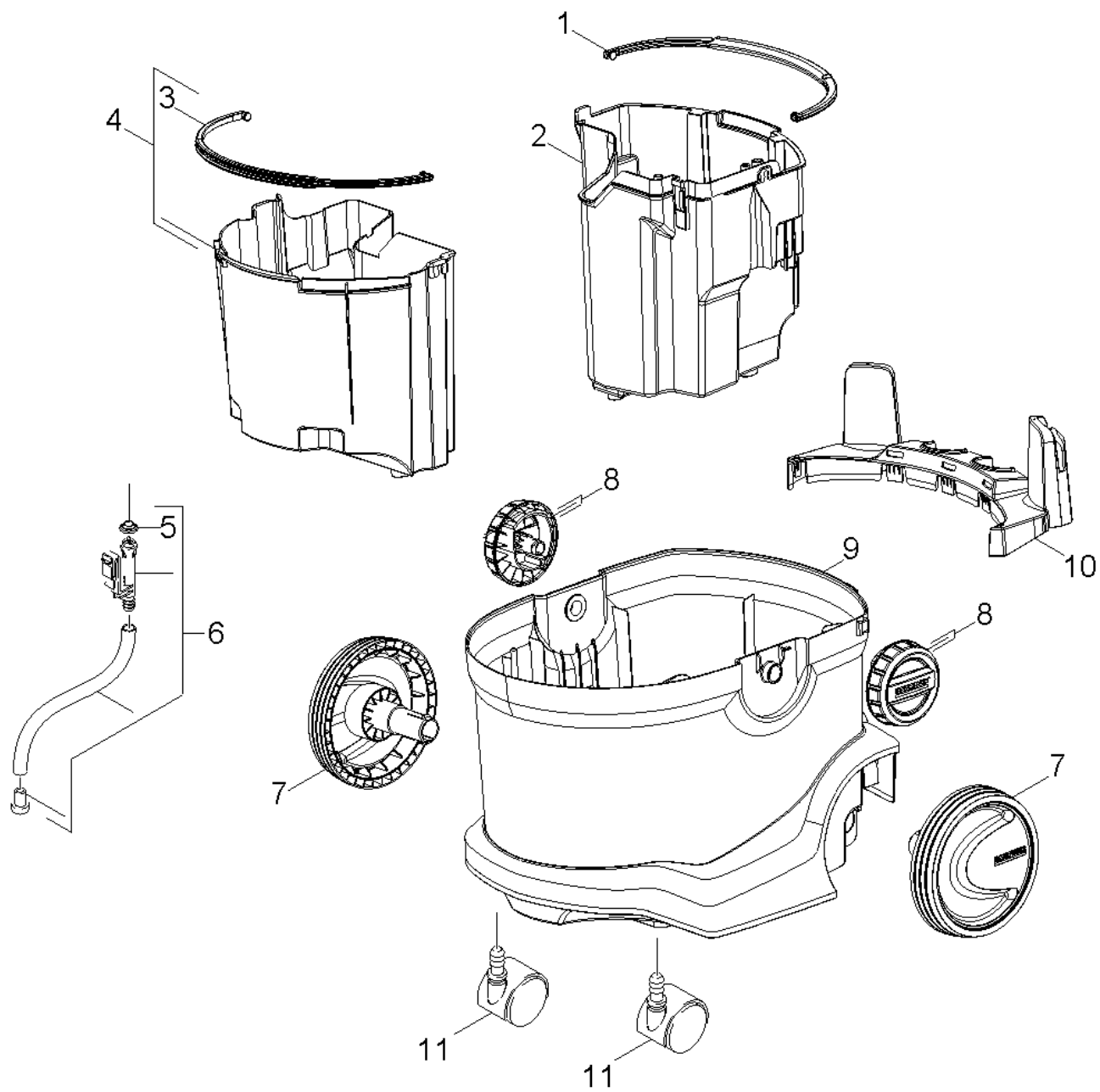
10 Cover

POS	Article no.	Description	Quantity	Unit	Foot note text
1	9.001-811.0	Button black On-Off	1.000	ST	
4	9.412-456.0	Button spray extraction	1.000	ST	
13	9.438-551.0	CABLE SCHUKO	1.000	ST	
10	6.903-241.0	Clamp clip	1.000	ST	
8	9.001-806.0	Cover	1.000	ST	
7	9.001-808.0	Cover filter grey	1.000	ST	VERSION 1
7	9.002-484.0	Cover filter grey new	1.000	ST	VERSION 2
5	6.959-212.0	Filter pilot complete	1.000	ST	VERSION 1
15	9.439-534.0	Filter sponge	1.000	ST	
2	9.411-961.0	Handhold covering cap	1.000	ST	
23	9.002-478.0	Holder magnet complete 20x5	1.000	ST	
24	6.389-882.0	Hose clip 8,5-10,0	2.000	ST	
14	9.411-404.0	Housing turbine SE 5.100-6.100	1.000	ST	
22	6.959-229.0	Lever and magnet	1.000	ST	
21	6.959-228.0	Micro switch	1.000	ST	
6	6.959-211.0	O-Ring seal 22 x 1,8	1.000	ST	VERSION 1
18	9.037-940.0	Pressure pipe	1.000	ST	
9	6.303-150.0	Screw 4,2x 22	7.000	ST	
20	9.439-075.0	Seal	1.000	ST	
19	6.273-070.0	Seal string cellular rubber 4	1.000	M	
16	9.001-817.0	Set pump	1.000	ST	
17	9.439-073.0	Suction pipe	1.000	ST	
12	6.630-437.0	Switch on/off	1.000	ST	
11	9.477-021.0	Switch with LED	1.000	ST	



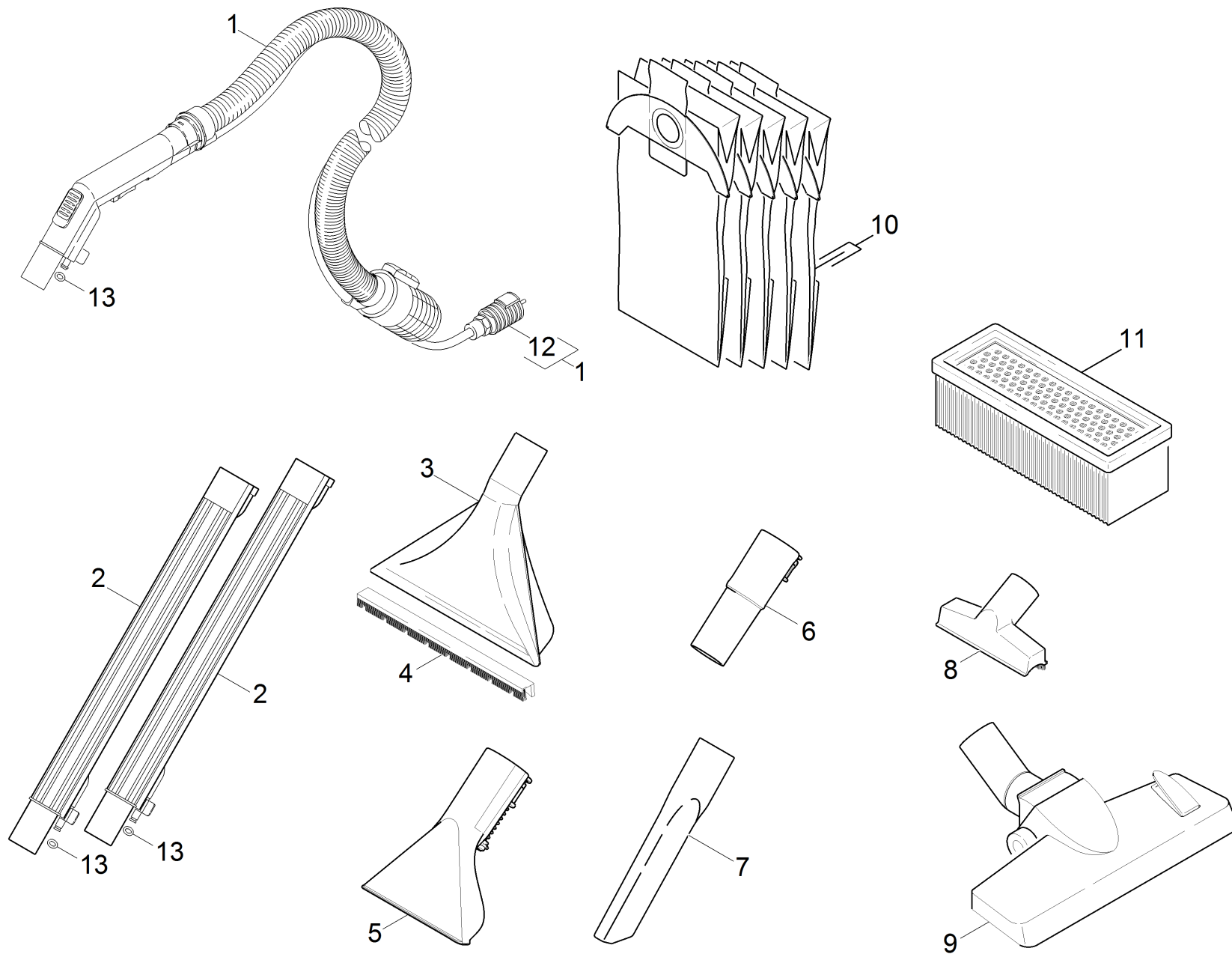
20 Vacuum motor

POS	Article no.	Description	Quantity	Unit
15	9.411-408.0	Baffle plate	1.000	ST
2	9.424-063.0	Cable with capacitor	1.000	ST
9	6.959-206.0	Filter vibrator complete	1.000	ST
6	9.411-594.0	Flange motor SE 5.100-6.100	1.000	ST
5	6.414-498.0	Flat-pleated filter SE	1.000	ST
16	6.959-199.0	Float	1.000	ST
10	6.959-316.0	Hand grip	1.000	ST
8	9.418-562.0	Pressure valve	1.000	ST
7	9.412-458.0	Pushbutton cover	1.000	ST
13	6.303-150.0	Screw 4,2x 22	13.000	ST
4	9.439-072.0	Seal air circulation	1.000	ST
18	9.411-637.0	SWIMMER FRAME	1.000	ST
1	9.001-841.0	Universal motor 1200W	1.000	ST



30 Tank

POS	Article no.	Description	Quantity	Unit
10	9.412-340.0	Accessory Holder	1.000	ST
3	9.437-539.0	Carrier handle	1.000	ST
1	9.437-538.0	Carrier handle	1.000	ST
11	6.435-353.0	Castor D 42	2.000	ST
6	9.002-021.0	complete filter tank se3001	1.000	ST
9	9.411-409.0	container SE 6.100	1.000	ST
2	9.001-803.0	Fresh water tank	1.000	ST
5	6.959-482.0	Joint ring	1.000	ST
8	9.001-801.0	Set closure SE5/6	1.000	ST
4	9.001-804.0	Waste water tank	1.000	ST
7	9.412-213.0	Wheel complete	2.000	ST



40 Accessories

POS	Article no.	Description	Quantity	Unit
6	9.012-279.0	Adapter /ADATTATORE ACC.SE	1.000	ST
3	9.012-276.0	Carpet nozzle Spray-Ex	1.000	ST
7	6.900-385.0	Crevice nozzle DN35	1.000	ST
2	9.012-468.0	Extension pipe SE 4002/TUBO PROLUNGA SE	1.000	ST
10	6.904-143.0	Filter kit WD/SE	1.000	ZSA
11	6.414-498.0	Flat-pleated filter SE	1.000	ST
9	6.906-955.0	Floor tool RD264 DN35, 1:40	1.000	ST
5	9.012-278.0	Hand nozzle Sprueh-ex/HOME LINE	1.000	ST
1	9.437-025.0	Hose complete SE	1.000	ST
4	9.012-277.0	Insert Teppichduese Spray-Ex	1.000	ST
13	6.362-487.0	O-Ring seal 5,7 X 1,9-NBR 70	3.000	ST
12	9.001-818.0	Set coupler	1.000	ST
8	6.905-998.0	Upholstery nozzle complete NW35	1.000	ST