

## **Spare parts list**

(1.873-501.0) HDS 797 CI \*EU

## Table of contents

---

HDS 797 CI *EU (1.873-501.0)	4
Spare parts list HDS 797 CI (5.955-996.0)	5
10 Individual parts	6
11 Cover	7
12 Tank	9
13 Frame	11
20 Pump set	13
21 Piston	14
100 Pump set (2.883-172.0)	16
1 Valve (3 Stueck) (2.884-512.0)	17
22 Cylinder head	19
100 Pump set (2.883-172.0)	21
1 Valve (3 Stueck) (2.884-512.0)	22
23 Valves	24
3 Valve (3 Stueck) (2.884-512.0)	26
100 Pump set (2.883-172.0)	28
1 Valve (3 Stueck) (2.884-512.0)	29
24 Piston	31
100 PUMP SET (2.883-855.0)	33
2 Valve (3 Stueck) (2.884-512.0)	34
25 Cylinder head	36
100 PUMP SET (2.883-855.0)	38
2 Valve (3 Stueck) (2.884-512.0)	39
26 Valves	41
3 Valve (3 Stueck) (2.884-512.0)	43
100 PUMP SET (2.883-855.0)	45
2 Valve (3 Stueck) (2.884-512.0)	46
30 Motor	48
31 Motor individual parts	49
32 Transmission	51
40 Blower	53
50 Fuel pump	55
51 Fuel pump	56
52 Fuel pump	58
60 Electric control box	60
61 Control panel	61
62 Mounting plate	63
16 Spare parts set ignition transformer (2.883-468.0)	66

## Table of contents

---

70 Flow heater	67
71 Burner cover	68
11 Conversion kit ignition electrode (2.638-974.0)	70
23 Cover plate pressure boiler (4.654-218.0)	72
72 Heating coil	74
73 Burner bottom	76
2 Bottom pressure boiler (4.655-044.0)	78
80 Float chest	80
81 Float chest	81
82 DGT	83
90 Safety system	85
91 Pressure switch	86
92 Reed switch	88
100 Accessories	90
101 Hand trigger gun	91
100 Spare part set (2.883-903.0)	93
102 Hand trigger gun	94
6 Lever complete (4.481-209.0)	96
103 Jet pipe	98
Jet pipe packaged only for replacement (4.760-660.0)	100
104 Jet pipe	102
1 Jet pipe packaged only for replacement (4.760-660.0)	104

HDS 797 CI \*EU (1.873-501.0)

---

POS	Article no.	Description	Quantity	Unit
0	5.955-996.0	Spare parts list HDS 797 CI	1	PC
<b>Item text2:</b> 18735010				

---

## Spare parts list HDS 797 CI (5.955-996.0)

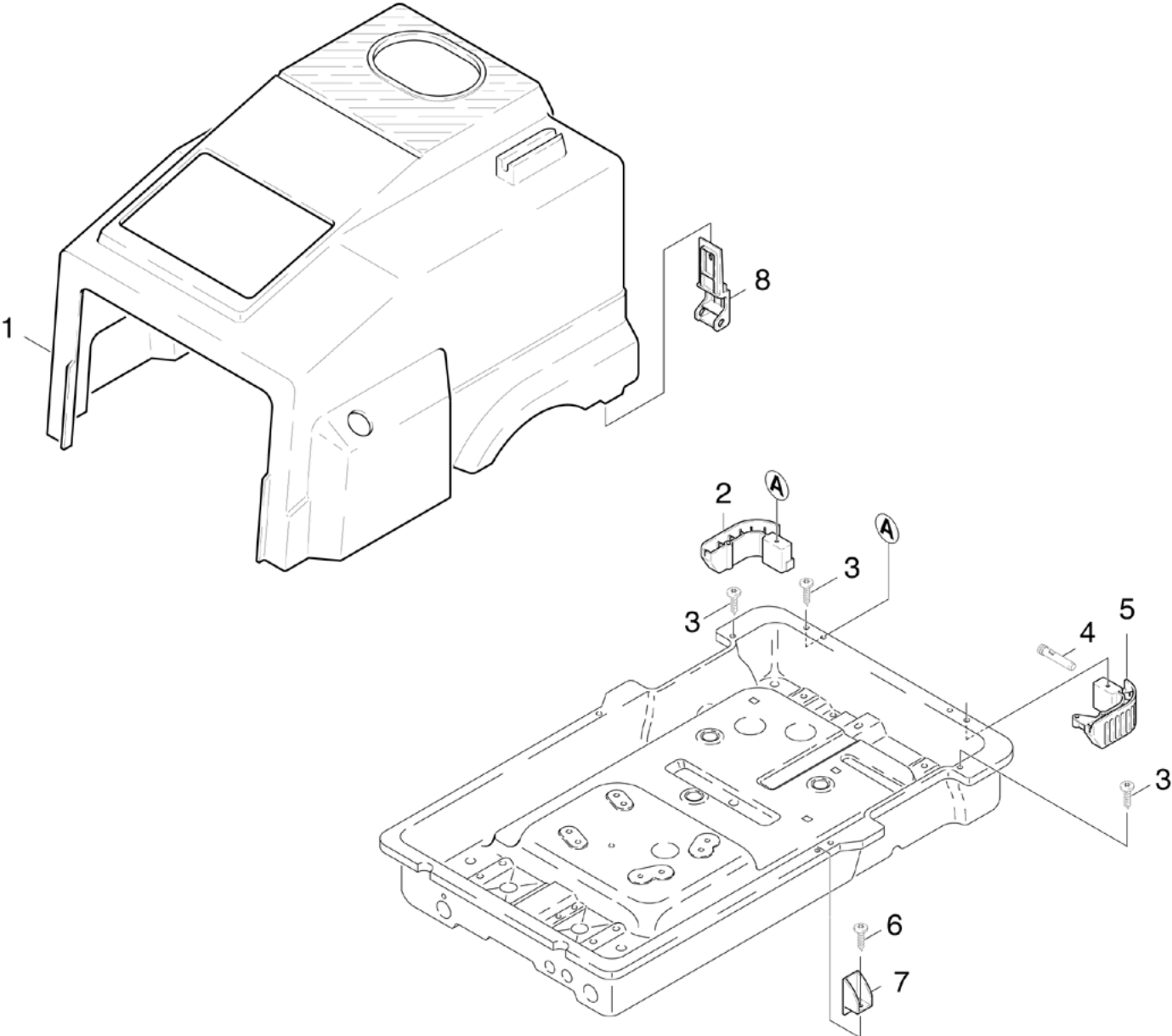
---

<b>POS</b>	<b>Description</b>	<b>Quantity</b>	<b>Unit</b>
10	Individual parts	1	PC
20	Pump set	1	PC
30	Motor	1	PC
40	Blower	1	PC
50	Fuel pump	1	PC
60	Electric control box	1	PC
70	Flow heater	1	PC
80	Float chest	1	PC
90	Safety system	1	PC
100	Accessories	1	PC

## 10 Individual parts

---

<b>POS</b>	<b>Description</b>	<b>Quantity</b>	<b>Unit</b>
11	Cover	1	PC
12	Tank	1	PC
13	Frame	1	PC

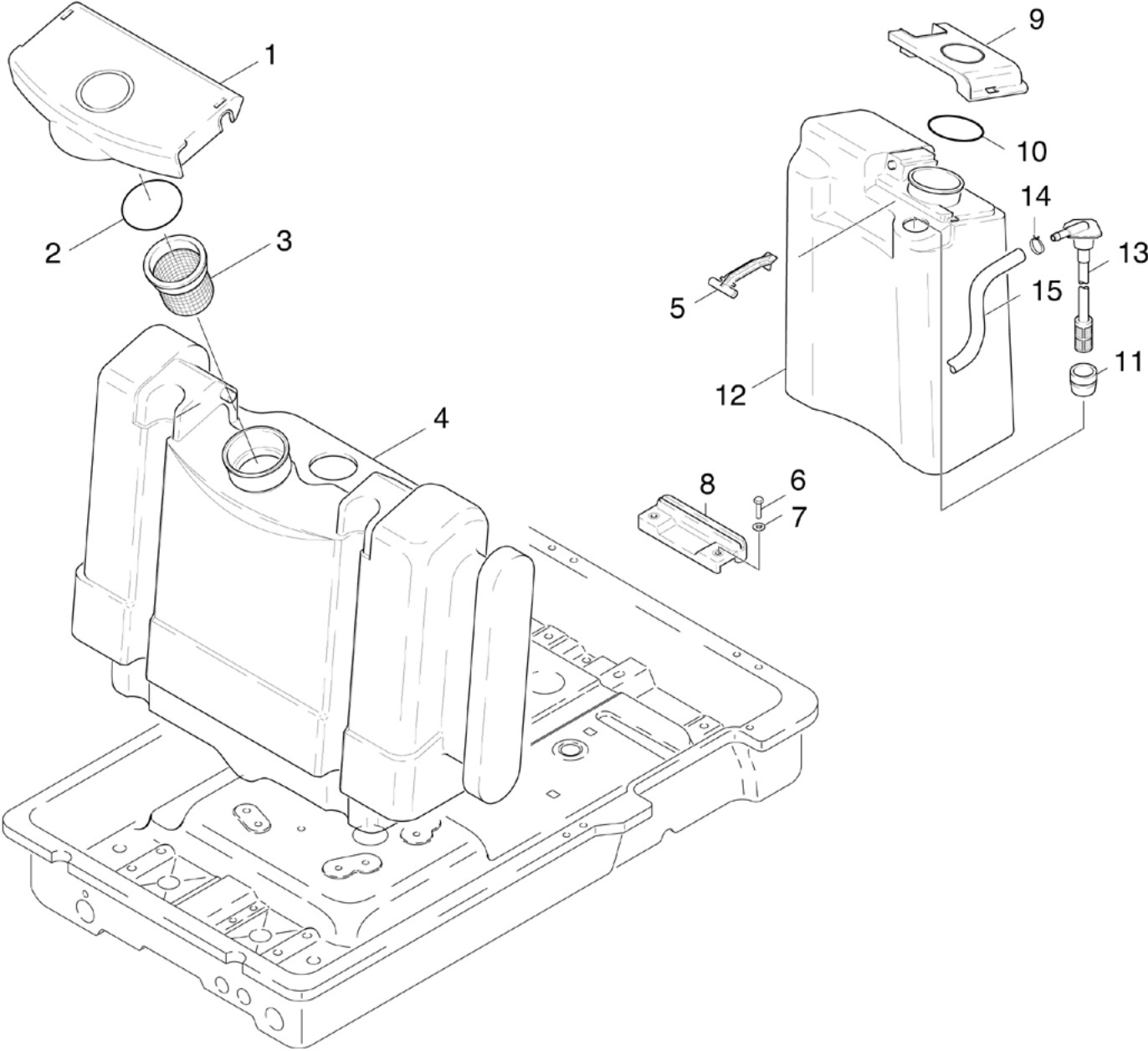


## 11 Cover

---

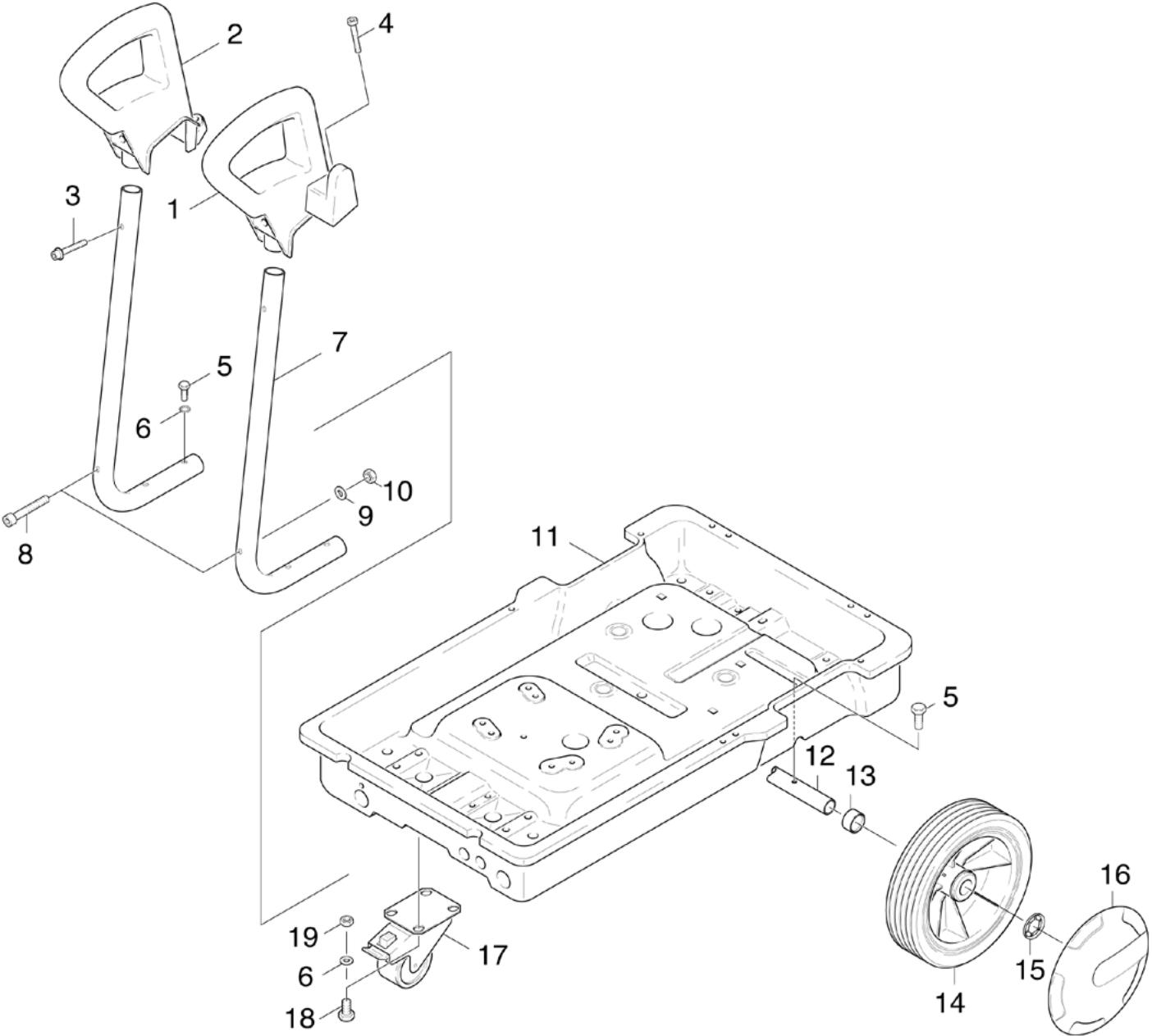
<b>POS</b>	<b>Article no.</b>	<b>Description</b>	<b>Quantity</b>	<b>Unit</b>
1	5.066-686.0	Cover	1	PC
2	5.321-280.0	Handhold left	1	PC
3	7.303-078.0	Sheet metal screw ST4,8X19-ST-P2R (In6Rd)	3	PC
4	5.316-240.0	Bolt	2	PC
5	5.321-278.0	Handhold right	1	PC
6	7.303-076.0	Sheet metal screw ST4,8X13 -St-R2R (In6	2	PC
7	5.042-561.0	Holder	2	PC
8	5.042-462.0	Holder	2	PC





## 12 Tank

POS	Article no.	Description	Quantity	Unit	Foot note text
1	5.063-565.0	Cover fuel	1	PC	
2	5.363-290.0	Joint ring	1	PC	
3	5.731-039.0	Filter	1	PC	
4	7.777-999.0	Stockpiling discontinued	1	PC	
5	5.042-463.0	Holder	1	PC	
6	6.303-105.0	Screw M6x20-ST-A2R DIN 7500-1	2	PC	
7	7.312-291.0	Washer 6-200HV-P2R ISO7093-1	2	PC	
8	7.777-999.0	Stockpiling discontinued	1	PC	
9	5.063-360.0	Cover	1	PC	
10	6.362-635.0	O-Ring seal 50,0x4,0-NBR 70	1	PC	
11	5.365-147.0	Profile gasket	1	PC	
12	5.071-038.0	Tank chemistry	1	PC	
13	6.414-028.0	Filter	1	PC	
14	6.388-559.0	Hose clip	1	PC	
15	6.388-225.0	Hose DN 7	1	m	TO ORDER AS CUT GOODS



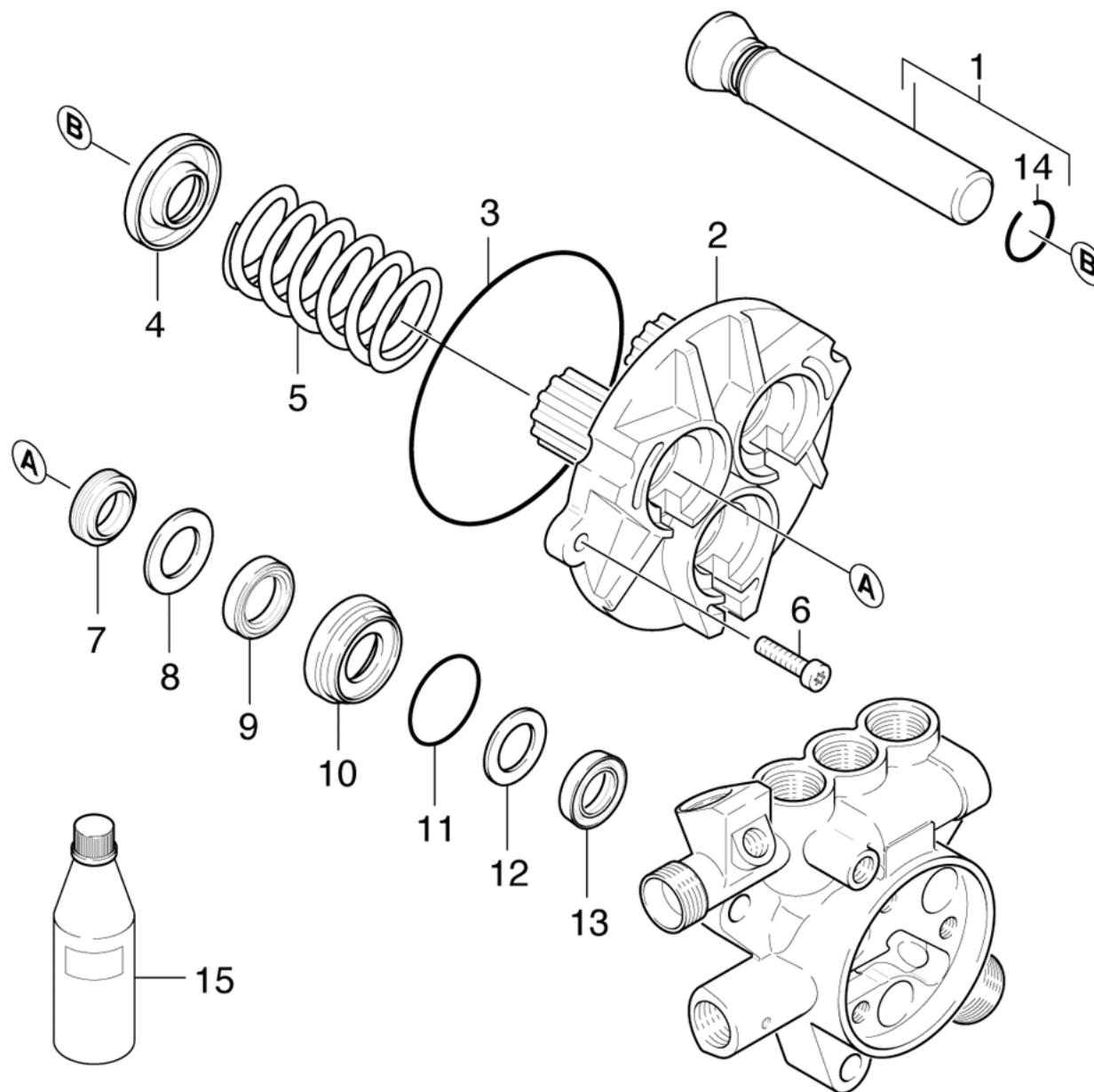
## 13 Frame

POS	Article no.	Description	Quantity	Unit
1	4.321-069.0	Handhold complete	1	PC
2	5.321-440.0	Handhold	1	PC
3	6.303-191.0	Screw M8x30-ST-A2R DIN 7500-1	2	PC
4	7.306-118.0	Screw M 6x35 -8.8-R3R (In6Rd)	2	PC
5	6.303-031.0	Screw M8x16-ST-R2R DIN 7500-1	4	PC
6	7.312-166.0	Toothed lock washer A8,4-FSt-A3E DIN 6797	3	PC
7	5.321-447.0	Handhold	2	PC
8	7.306-131.0	Screw M6x45 -8.8-P2R (In6Rd)	2	PC
9	7.312-260.0	Washer 6 -100HV-A3E ISO 7094	2	PC
10	7.311-512.0	Hexagon nut M 6-8-A2E ISO 7040	2	PC
11	5.050-032.0	Frame	1	PC
12	5.105-251.0	Axle	1	PC
13	5.110-561.0	Sleeve	2	PC
14	6.435-312.0	Wheel D250	2	PC
15	6.343-217.0	Clamping washer D25	2	PC
16	6.435-197.0	Wheel cap zinc yellow	2	PC
17	6.435-436.0	Castor	1	PC
18	7.304-395.0	Hexagonal head screw M8x16-8.8-A2E ISO	4	PC
19	7.311-004.0	Hexagon nut M8 -8-A3E ISO 4032	4	PC

## 20 Pump set

---

<b>POS</b>	<b>Description</b>	<b>Quantity</b>	<b>Unit</b>	<b>Remark</b>
21	Piston	1	PC	VERSION1
22	Cylinder head	1	PC	VERSION1
23	Valves	1	PC	VERSION1
24	Piston	1	PC	VERSION2
25	Cylinder head	1	PC	VERSION2
26	Valves	1	PC	VERSION2



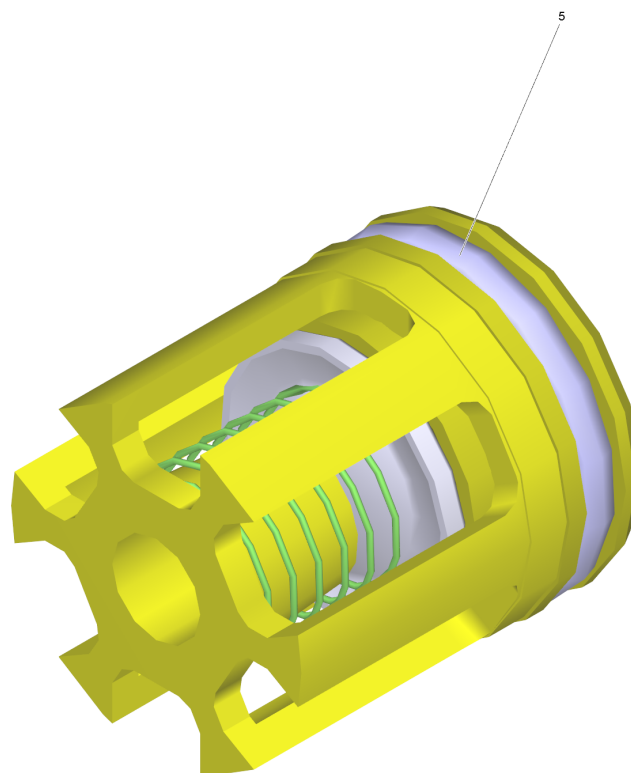
## 21 Piston

POS	Article no.	Description	Quantity	Unit
1	4.553-124.0	Piston complete	3	PC
2	5.060-326.0	Housing	1	PC
3	6.362-613.0	O-Ring seal 101,27X 2,62-NBR 70	1	PC
4	5.030-602.0	Moulded part	3	PC
5	5.332-139.0	Helical spring	3	PC
6	7.306-023.0	Cylinder head screw M6x25 -8.8-A2E ISO4	2	PC
7	6.365-334.0	Grooved ring 18X26X6/8	3	PC
8	5.115-432.0	Washer	3	PC
9	6.365-332.0	Compact seal 18x28x5,8	3	PC
10	5.112-340.3	Bush	3	PC
11	6.362-406.0	O-Ring seal 33,05X 1,78-NBR 70	3	PC
12	5.115-431.0	Washer	3	PC
13	6.365-333.0	Grooved ring 18X26X5,4	3	PC
14	7.343-473.0	Snap ring 18 -FST DIN 9925	1	PC
15	6.288-016.0	Gear oil 1L	1	PC
100	2.883-172.0	Pump set	1	PC

## 100 Pump set (2.883-172.0)

POS	Article no.	Description	Quantity	Unit
1	2.884-512.0	Valve (3 Stueck)	2	PC
2	5.115-431.0	Washer	3	PC
4	6.362-160.0	O-Ring seal 17,3 X 2,4	3	PC
5	6.362-169.0	O-Ring seal 12,0 X 2,0	1	PC
6	6.363-616.0	O-Ring seal 60,0x2,0 -NBR70	1	PC
7	6.362-384.0	O-Ring seal 9x1,5 - NBR 70	3	PC
8	6.362-482.0	O-Ring seal 10 x 1,5-NBR 70	1	PC
9	6.362-406.0	O-Ring seal 33,05X 1,78-NBR 70	3	PC
13	6.362-613.0	O-Ring seal 101,27X 2,62-NBR 70	1	PC
14	6.365-332.0	Compact seal 18x28x5,8	3	PC
15	6.365-333.0	Grooved ring 18X26X5,4	3	PC
16	6.365-334.0	Grooved ring 18X26X6/8	3	PC
18	6.362-402.0	O-Ring seal 11,0 X 1,3-NBR 70	1	PC
19	6.362-477.0	O-Ring seal complete 1ST.-R.	1	PC
20	6.362-575.0	O-Ring seal 12,42 KOMPL	1	PC



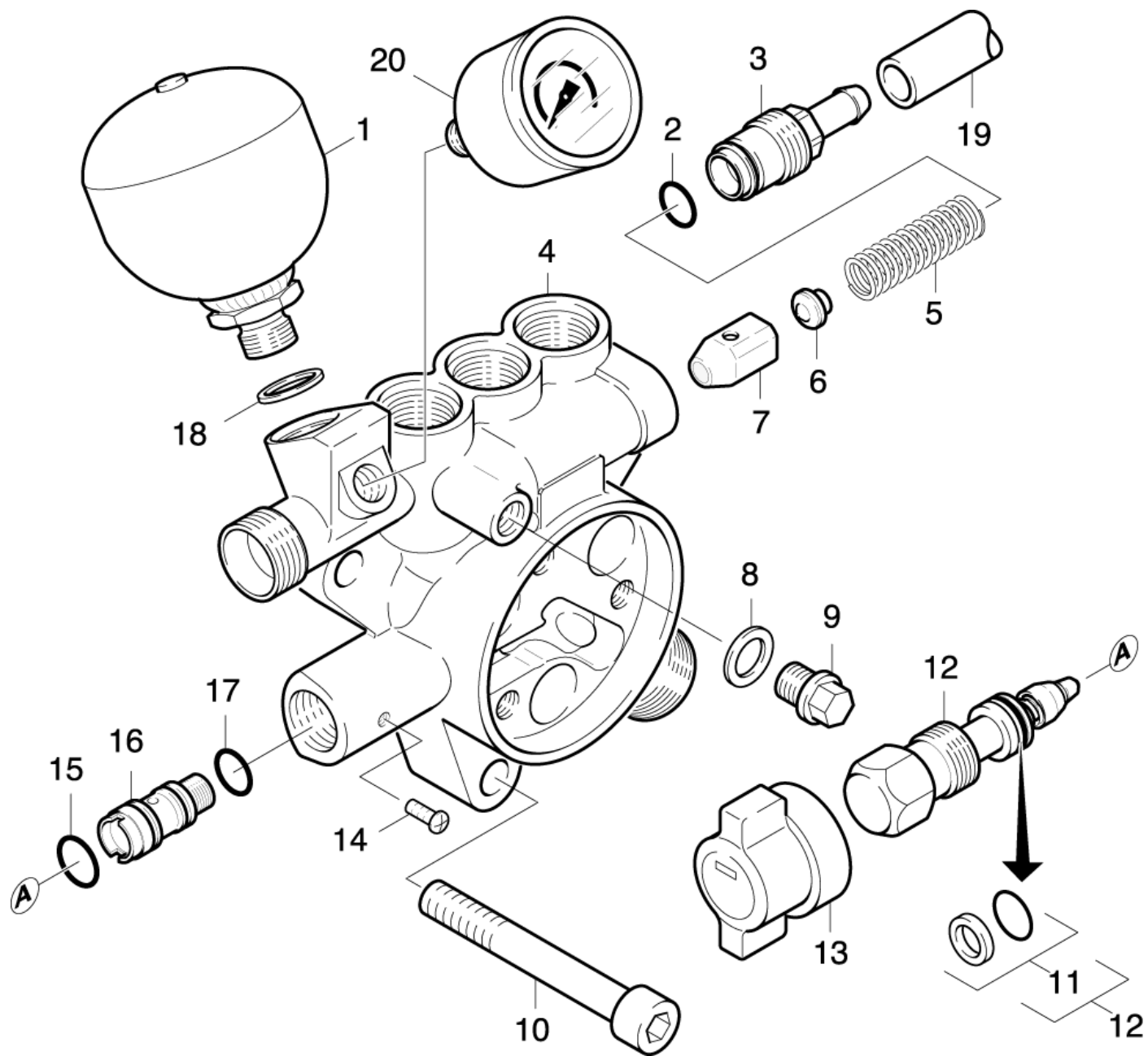


1 Valve (3 Stueck) (2.884-512.0)

---

<b>POS</b>	<b>Article no.</b>	<b>Description</b>	<b>Quantity</b>	<b>Unit</b>
5	6.363-003.0	O-Ring seal 13,0 X 2,0-NBR 90	1	PC

---

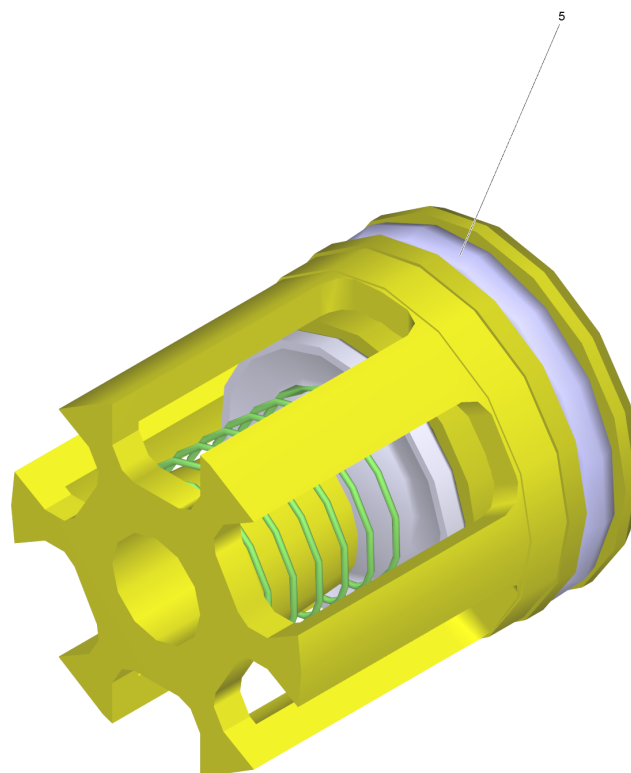


## 22 Cylinder head

POS	Article no.	Description	Quantity	Unit	Foot note text
1	6.505-025.0	Pressure accumulator	1	PC	
2	6.362-169.0	O-Ring seal 12,0 X 2,0	1	PC	
3	5.583-130.0	Valve screw	1	PC	
4		Cylinder head complete	1	PC	
5	5.332-140.0	Helical spring	1	PC	
6	5.584-060.0	Valve pin	1	PC	
7	4.582-007.0	Valve disc complete	1	PC	
8	7.362-003.0	Joint ring A10x13,5 -Cu DIN 7603	1	PC	
9	7.382-085.0	Screw plug M10x1-St-A2E DIN 910	1	PC	
10	7.306-125.0	Cylinder head screw M10x70-8.8-A3E ISO4	3	PC	
11	6.362-575.0	O-Ring seal 12,42 KOMPL	1	PC	
12	4.291-009.0	Spindle	1	PC	
13	5.321-263.0	Handhold	1	PC	
14	7.306-323.0	Pan head screw M4x6 -CU2 ISO 7045-H	1	PC	
15	6.362-402.0	O-Ring seal 11,0 X 1,3-NBR 70	1	PC	
16	5.110-384.0	Sleeve	1	PC	
17	6.362-482.0	O-Ring seal 10 x 1,5-NBR 70	1	PC	
18	7.362-005.0	Joint ring A14x18 -Cu DIN 7603	1	PC	
19	6.388-167.0	Hose DN15	1	m	TO ORDER AS CUT GOODS
20	6.421-214.0	Pressure gauge 0-300 BAR	1	PC	
100	2.883-172.0	Pump set	1	PC	

## 100 Pump set (2.883-172.0)

POS	Article no.	Description	Quantity	Unit
1	2.884-512.0	Valve (3 Stueck)	2	PC
2	5.115-431.0	Washer	3	PC
4	6.362-160.0	O-Ring seal 17,3 X 2,4	3	PC
5	6.362-169.0	O-Ring seal 12,0 X 2,0	1	PC
6	6.363-616.0	O-Ring seal 60,0x2,0 -NBR70	1	PC
7	6.362-384.0	O-Ring seal 9x1,5 - NBR 70	3	PC
8	6.362-482.0	O-Ring seal 10 x 1,5-NBR 70	1	PC
9	6.362-406.0	O-Ring seal 33,05X 1,78-NBR 70	3	PC
13	6.362-613.0	O-Ring seal 101,27X 2,62-NBR 70	1	PC
14	6.365-332.0	Compact seal 18x28x5,8	3	PC
15	6.365-333.0	Grooved ring 18X26X5,4	3	PC
16	6.365-334.0	Grooved ring 18X26X6/8	3	PC
18	6.362-402.0	O-Ring seal 11,0 X 1,3-NBR 70	1	PC
19	6.362-477.0	O-Ring seal complete 1ST.-R.	1	PC
20	6.362-575.0	O-Ring seal 12,42 KOMPL	1	PC

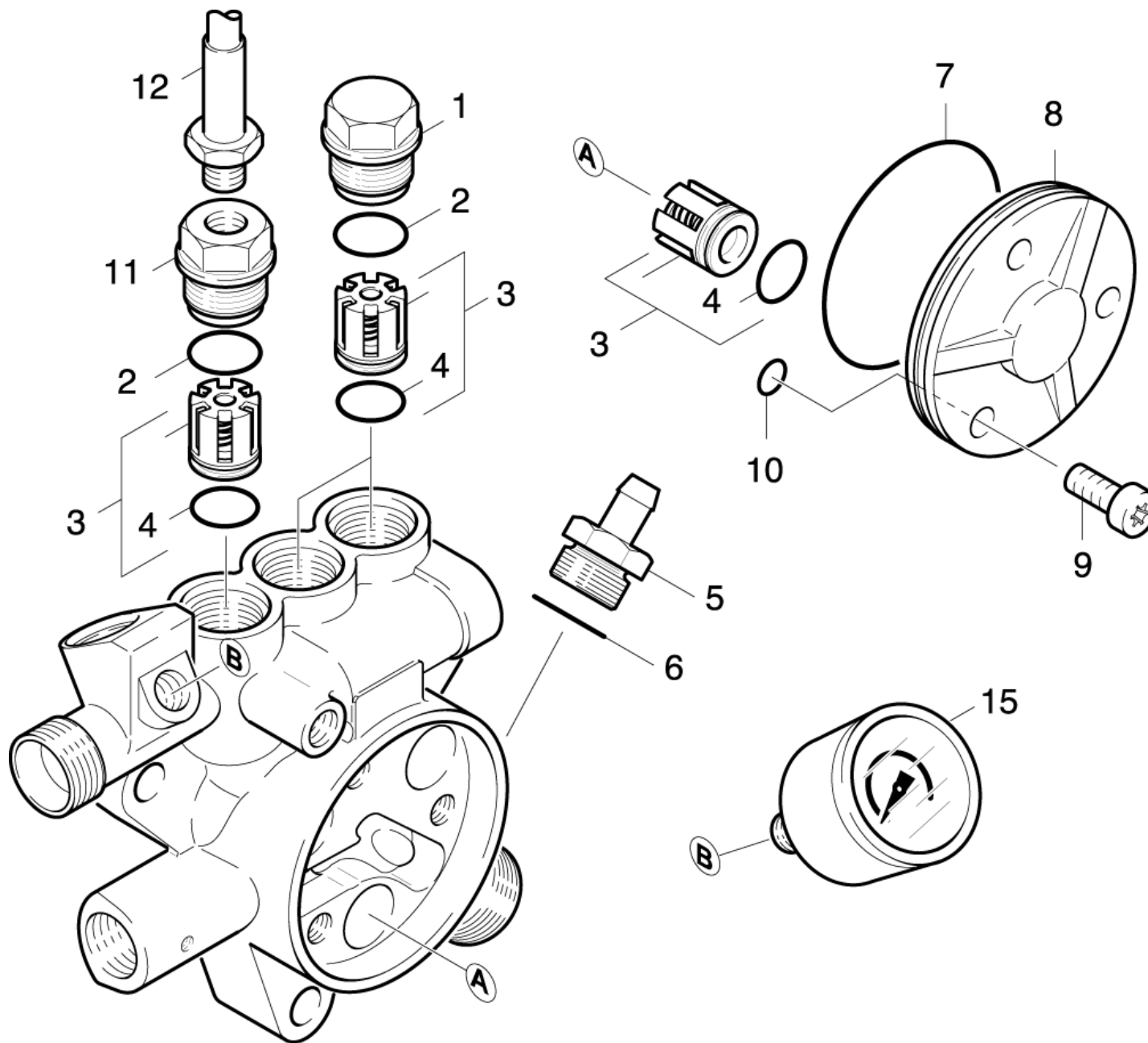


1 Valve (3 Stueck) (2.884-512.0)

---

POS	Article no.	Description	Quantity	Unit
5	6.363-003.0	O-Ring seal 13,0 X 2,0-NBR 90	1	PC

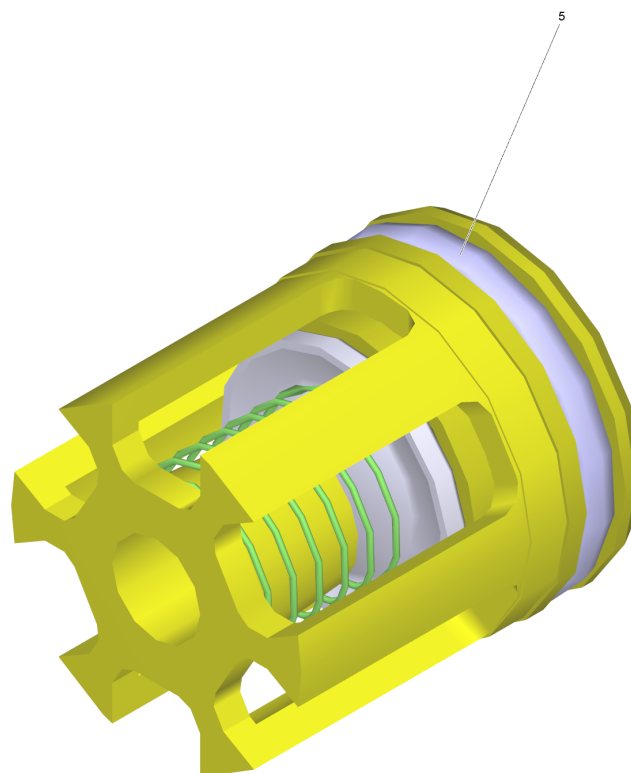
---





## 23 Valves

POS	Article no.	Description	Quantity	Unit
1	5.583-115.0	Valve screw	2	PC
2	6.362-160.0	O-Ring seal 17,3 X 2,4	3	PC
3	2.884-512.0	Valve (3 Stueck)	1	PC
4	6.362-381.0	O-Ring seal 13x2 - NBR 70	6	PC
5	4.580-114.0	Valve	1	PC
6	6.362-427.0	O-Ring seal 15,0x2,0	1	PC
7	6.363-616.0	O-Ring seal 60,0x2,0 -NBR70	1	PC
8	5.063-354.0	Cover	1	PC
9	7.306-041.0	Cylinder head screw M8x20 -8.8-A2E ISO	3	PC
10	6.362-384.0	O-Ring seal 9x1,5 - NBR 70	3	PC
11	5.583-128.0	Valve screw	1	PC
12	6.389-811.0	High pressure hose	1	PC
15	6.421-214.0	Pressure gauge 0-300 BAR	1	PC
100	2.883-172.0	Pump set	1	PC



3 Valve (3 Stueck) (2.884-512.0)

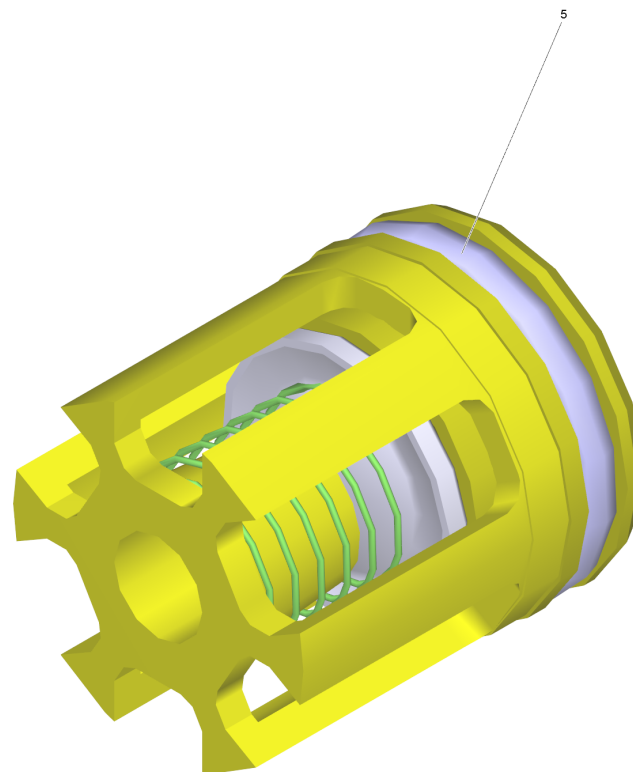
---

POS	Article no.	Description	Quantity	Unit
5	6.363-003.0	O-Ring seal 13,0 X 2,0-NBR 90	1	PC

---

## 100 Pump set (2.883-172.0)

POS	Article no.	Description	Quantity	Unit
1	2.884-512.0	Valve (3 Stueck)	2	PC
2	5.115-431.0	Washer	3	PC
4	6.362-160.0	O-Ring seal 17,3 X 2,4	3	PC
5	6.362-169.0	O-Ring seal 12,0 X 2,0	1	PC
6	6.363-616.0	O-Ring seal 60,0x2,0 -NBR70	1	PC
7	6.362-384.0	O-Ring seal 9x1,5 - NBR 70	3	PC
8	6.362-482.0	O-Ring seal 10 x 1,5-NBR 70	1	PC
9	6.362-406.0	O-Ring seal 33,05X 1,78-NBR 70	3	PC
13	6.362-613.0	O-Ring seal 101,27X 2,62-NBR 70	1	PC
14	6.365-332.0	Compact seal 18x28x5,8	3	PC
15	6.365-333.0	Grooved ring 18X26X5,4	3	PC
16	6.365-334.0	Grooved ring 18X26X6/8	3	PC
18	6.362-402.0	O-Ring seal 11,0 X 1,3-NBR 70	1	PC
19	6.362-477.0	O-Ring seal complete 1ST.-R.	1	PC
20	6.362-575.0	O-Ring seal 12,42 KOMPL	1	PC

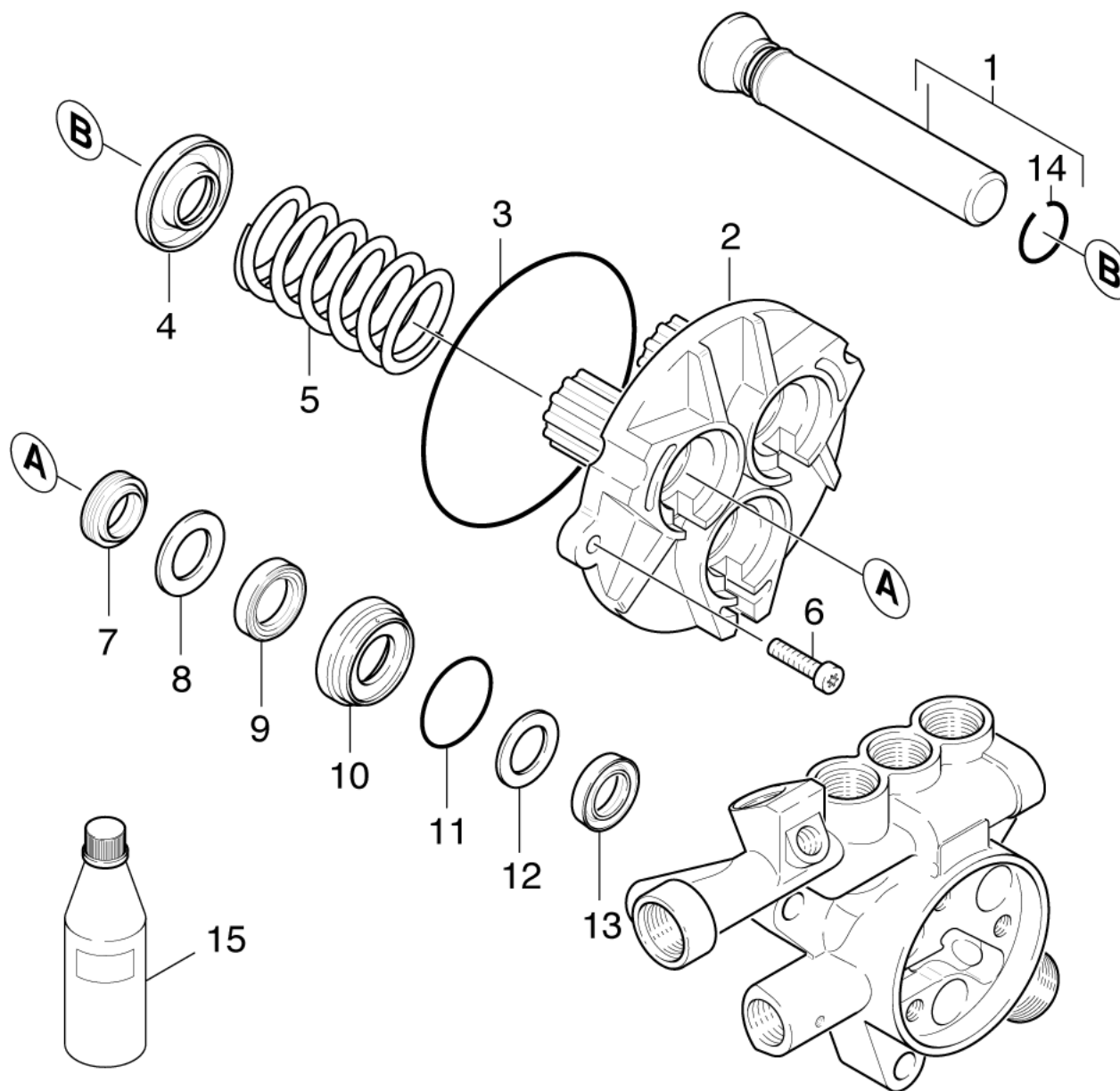


1 Valve (3 Stueck) (2.884-512.0)

---

POS	Article no.	Description	Quantity	Unit
5	6.363-003.0	O-Ring seal 13,0 X 2,0-NBR 90	1	PC

---



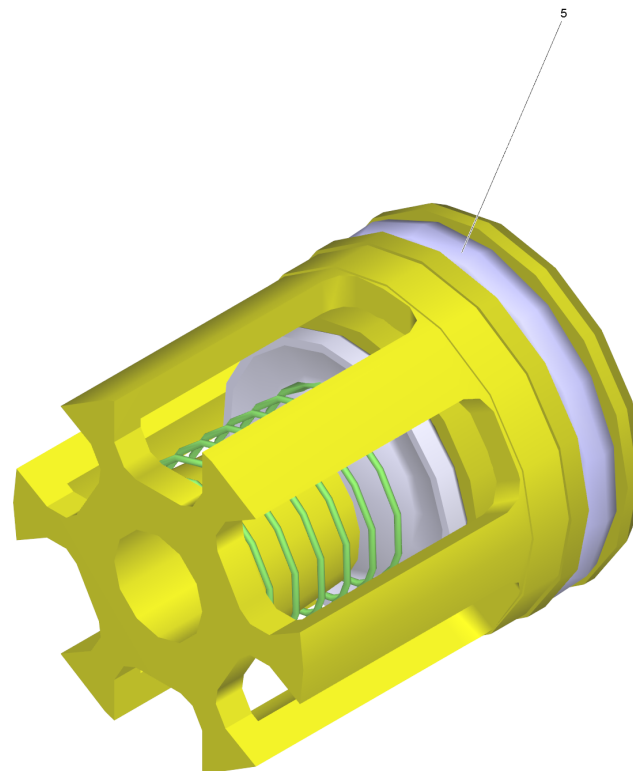
## 24 Piston

POS	Article no.	Description	Quantity	Unit
1	4.553-124.0	Piston complete	3	PC
2	5.060-326.0	Housing	1	PC
3	6.362-613.0	O-Ring seal 101,27X 2,62-NBR 70	1	PC
4	5.030-602.0	Moulded part	3	PC
5	5.332-139.0	Helical spring	3	PC
6	7.306-023.0	Cylinder head screw M6x25 -8.8-A2E ISO4	2	PC
7	6.365-334.0	Grooved ring 18X26X6/8	3	PC
8	5.115-432.0	Washer	3	PC
9	6.365-332.0	Compact seal 18x28x5,8	3	PC
10	5.112-340.3	Bush	3	PC
11	6.362-406.0	O-Ring seal 33,05X 1,78-NBR 70	3	PC
12	5.115-431.0	Washer	3	PC
13	6.365-333.0	Grooved ring 18X26X5,4	3	PC
14	7.343-473.0	Snap ring 18 -FST DIN 9925	1	PC
15	6.288-016.0	Gear oil 1L	1	PC
100	2.883-855.0	PUMP SET	1	PC



## 100 PUMP SET (2.883-855.0)

POS	Article no.	Description	Quantity	Unit
1	4.580-262.0	Valve complete	1	PC
2	2.884-512.0	Valve (3 Stueck)	2	PC
3	5.115-431.0	Washer	3	PC
5	6.362-160.0	O-Ring seal 17,3 X 2,4	4	PC
6	6.362-169.0	O-Ring seal 12,0 X 2,0	1	PC
7	6.363-616.0	O-Ring seal 60,0x2,0 -NBR70	1	PC
8	6.362-384.0	O-Ring seal 9x1,5 - NBR 70	3	PC
9	6.362-402.0	O-Ring seal 11,0 X 1,3-NBR 70	1	PC
10	6.362-406.0	O-Ring seal 33,05X 1,78-NBR 70	3	PC
11	6.362-482.0	O-Ring seal 10 x 1,5-NBR 70	1	PC
12	6.362-613.0	O-Ring seal 101,27X 2,62-NBR 70	1	PC
13	6.365-332.0	Compact seal 18x28x5,8	3	PC
14	6.365-333.0	Grooved ring 18X26X5,4	3	PC
15	6.365-334.0	Grooved ring 18X26X6/8	3	PC

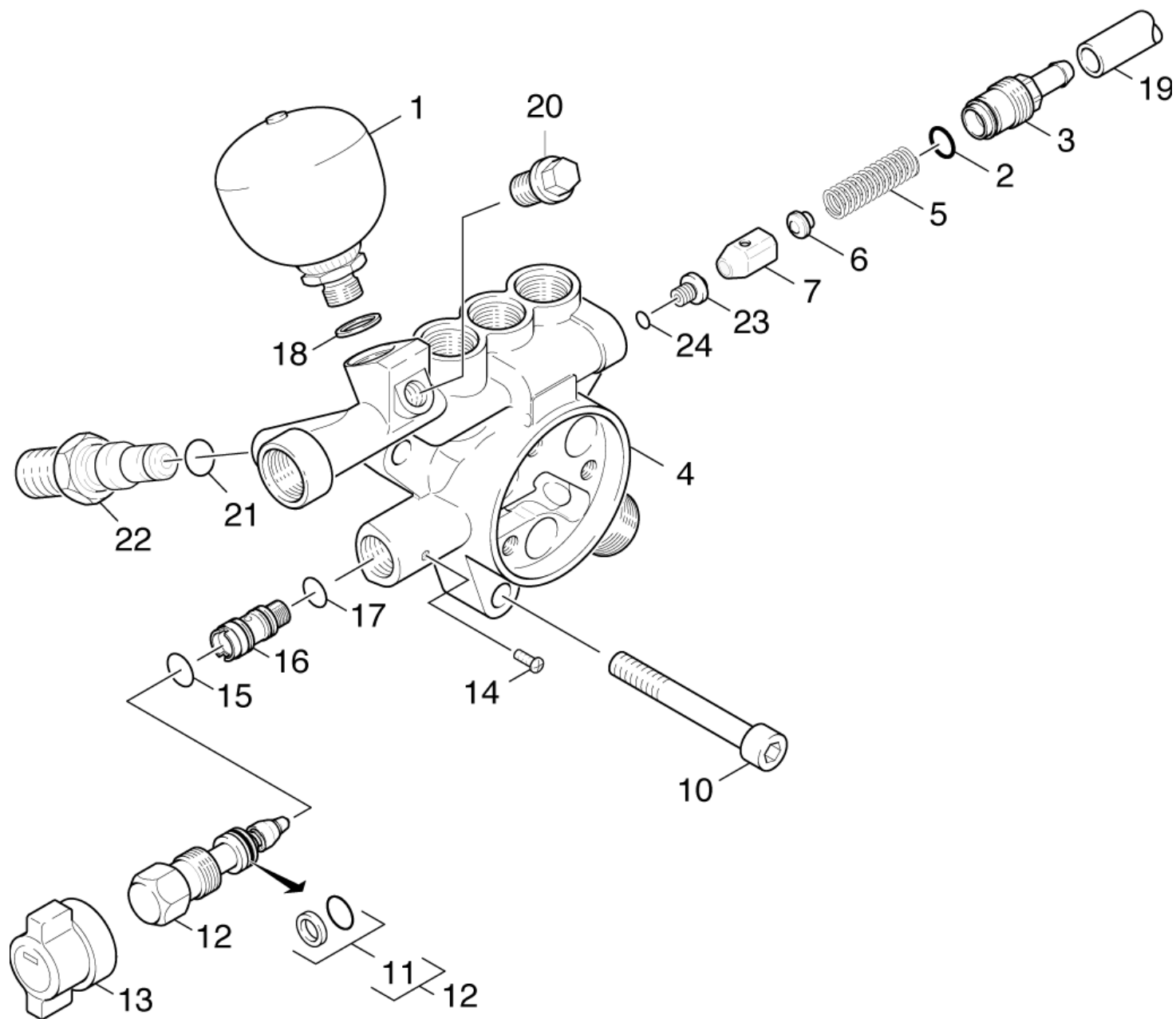


2 Valve (3 Stueck) (2.884-512.0)

---

POS	Article no.	Description	Quantity	Unit
5	6.363-003.0	O-Ring seal 13,0 X 2,0-NBR 90	1	PC

---

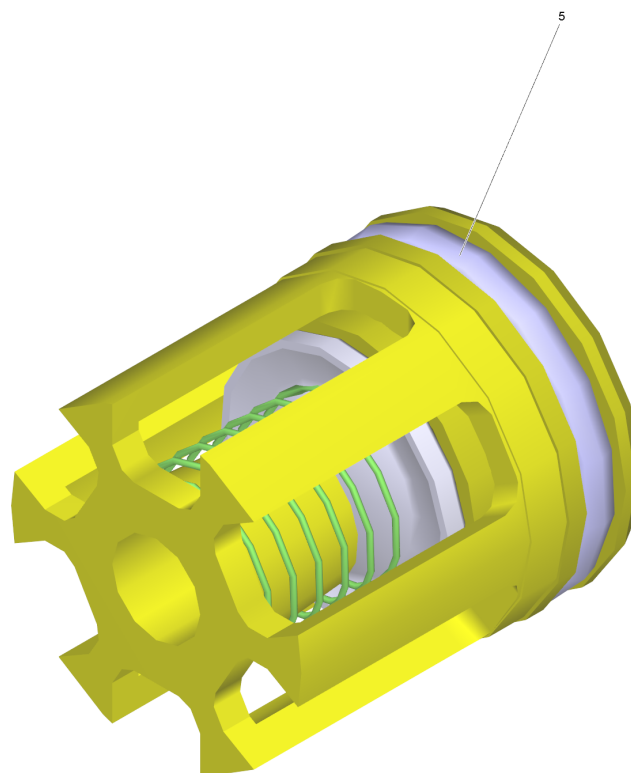


## 25 Cylinder head

POS	Article no.	Description	Quantity	Unit	Foot note text
1	6.505-025.0	Pressure accumulator	1	PC	
2	6.362-169.0	O-Ring seal 12,0 X 2,0	1	PC	
3	5.583-130.0	Valve screw	1	PC	
4	4.550-366.0	Cylinder head complete only for replacem	1	PC	
5	5.332-140.0	Helical spring	1	PC	
6	5.584-060.0	Valve pin	1	PC	
7	4.582-019.0	Valve disc complete	1	PC	
10	7.306-125.0	Cylinder head screw M10x70-8.8-A3E ISO4	3	PC	
11	6.362-575.0	O-Ring seal 12,42 KOMPL	1	PC	
12	4.291-009.0	Spindle	1	PC	
13	5.321-263.0	Handhold	1	PC	
14	7.306-323.0	Pan head screw M4x6 -CU2 ISO 7045-H	1	PC	
15	6.362-402.0	O-Ring seal 11,0 X 1,3-NBR 70	1	PC	
16	5.110-384.0	Sleeve	1	PC	
17	6.362-482.0	O-Ring seal 10 x 1,5-NBR 70	1	PC	
18	7.362-005.0	Joint ring A14x18 -Cu DIN 7603	1	PC	
19	6.388-167.0	Hose DN15	1	m	TO ORDER AS CUT GOODS
20	7.382-274.0	Screw plug R1/8"-CuZn DIN 909	1	PC	
21	6.362-151.0	O-Ring d. 10 x 2 NBR 70	1	PC	
23	5.581-231.0	Valve seat	1	PC	
24	6.362-703.0	O-Ring seal 6,0x1,5-NBR 70	1	PC	
100	2.883-855.0	PUMP SET	1	PC	

## 100 PUMP SET (2.883-855.0)

POS	Article no.	Description	Quantity	Unit
1	4.580-262.0	Valve complete	1	PC
2	2.884-512.0	Valve (3 Stueck)	2	PC
3	5.115-431.0	Washer	3	PC
5	6.362-160.0	O-Ring seal 17,3 X 2,4	4	PC
6	6.362-169.0	O-Ring seal 12,0 X 2,0	1	PC
7	6.363-616.0	O-Ring seal 60,0x2,0 -NBR70	1	PC
8	6.362-384.0	O-Ring seal 9x1,5 - NBR 70	3	PC
9	6.362-402.0	O-Ring seal 11,0 X 1,3-NBR 70	1	PC
10	6.362-406.0	O-Ring seal 33,05X 1,78-NBR 70	3	PC
11	6.362-482.0	O-Ring seal 10 x 1,5-NBR 70	1	PC
12	6.362-613.0	O-Ring seal 101,27X 2,62-NBR 70	1	PC
13	6.365-332.0	Compact seal 18x28x5,8	3	PC
14	6.365-333.0	Grooved ring 18X26X5,4	3	PC
15	6.365-334.0	Grooved ring 18X26X6/8	3	PC

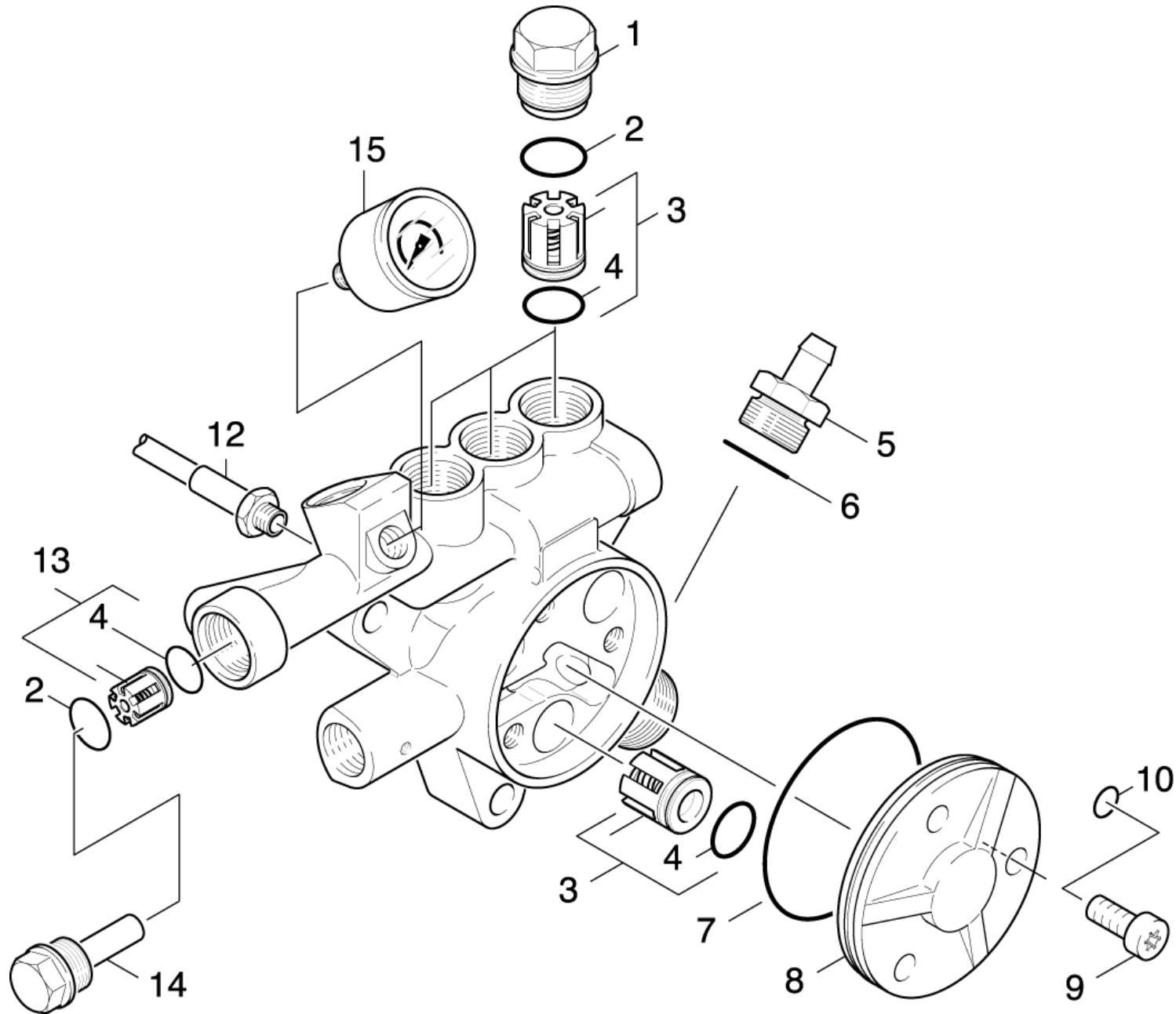


2 Valve (3 Stueck) (2.884-512.0)

---

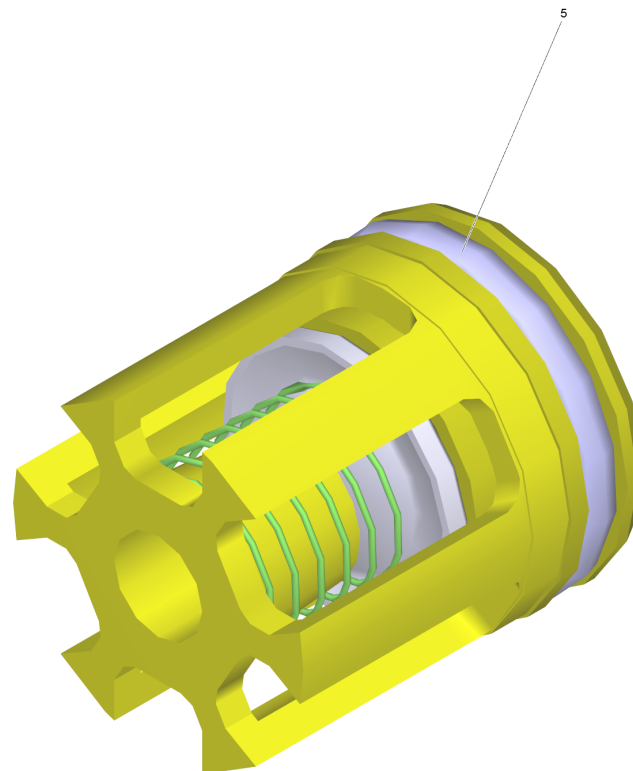
POS	Article no.	Description	Quantity	Unit
5	6.363-003.0	O-Ring seal 13,0 X 2,0-NBR 90	1	PC





## 26 Valves

POS	Article no.	Description	Quantity	Unit
1	5.583-115.0	Valve screw	3	PC
2	6.362-160.0	O-Ring seal 17,3 X 2,4	3	PC
3	2.884-512.0	Valve (3 Stueck)	1	PC
4	6.362-381.0	O-Ring seal 13x2 - NBR 70	6	PC
5	4.580-114.0	Valve	1	PC
6	6.362-427.0	O-Ring seal 15,0x2,0	1	PC
7	6.363-616.0	O-Ring seal 60,0x2,0 -NBR70	1	PC
8	5.063-354.0	Cover	1	PC
9	7.306-041.0	Cylinder head screw M8x20 -8.8-A2E ISO	3	PC
10	6.362-384.0	O-Ring seal 9x1,5 - NBR 70	3	PC
11	5.583-128.0	Valve screw	1	PC
12	6.389-811.0	High pressure hose	1	PC
13	4.580-262.0	Valve complete	1	PC
14	5.583-154.0	Valve screw	1	PC
15	6.421-214.0	Pressure gauge 0-300 BAR	1	PC
100	2.883-855.0	PUMP SET	1	PC



3 Valve (3 Stueck) (2.884-512.0)

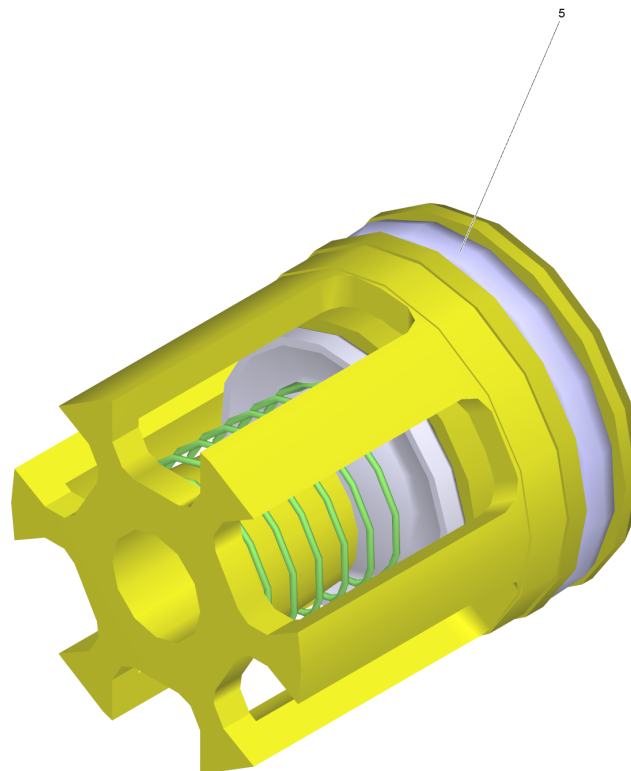
---

POS	Article no.	Description	Quantity	Unit
5	6.363-003.0	O-Ring seal 13,0 X 2,0-NBR 90	1	PC

---

## 100 PUMP SET (2.883-855.0)

POS	Article no.	Description	Quantity	Unit
1	4.580-262.0	Valve complete	1	PC
2	2.884-512.0	Valve (3 Stueck)	2	PC
3	5.115-431.0	Washer	3	PC
5	6.362-160.0	O-Ring seal 17,3 X 2,4	4	PC
6	6.362-169.0	O-Ring seal 12,0 X 2,0	1	PC
7	6.363-616.0	O-Ring seal 60,0x2,0 -NBR70	1	PC
8	6.362-384.0	O-Ring seal 9x1,5 - NBR 70	3	PC
9	6.362-402.0	O-Ring seal 11,0 X 1,3-NBR 70	1	PC
10	6.362-406.0	O-Ring seal 33,05X 1,78-NBR 70	3	PC
11	6.362-482.0	O-Ring seal 10 x 1,5-NBR 70	1	PC
12	6.362-613.0	O-Ring seal 101,27X 2,62-NBR 70	1	PC
13	6.365-332.0	Compact seal 18x28x5,8	3	PC
14	6.365-333.0	Grooved ring 18X26X5,4	3	PC
15	6.365-334.0	Grooved ring 18X26X6/8	3	PC



2 Valve (3 Stueck) (2.884-512.0)

---

POS	Article no.	Description	Quantity	Unit
5	6.363-003.0	O-Ring seal 13,0 X 2,0-NBR 90	1	PC

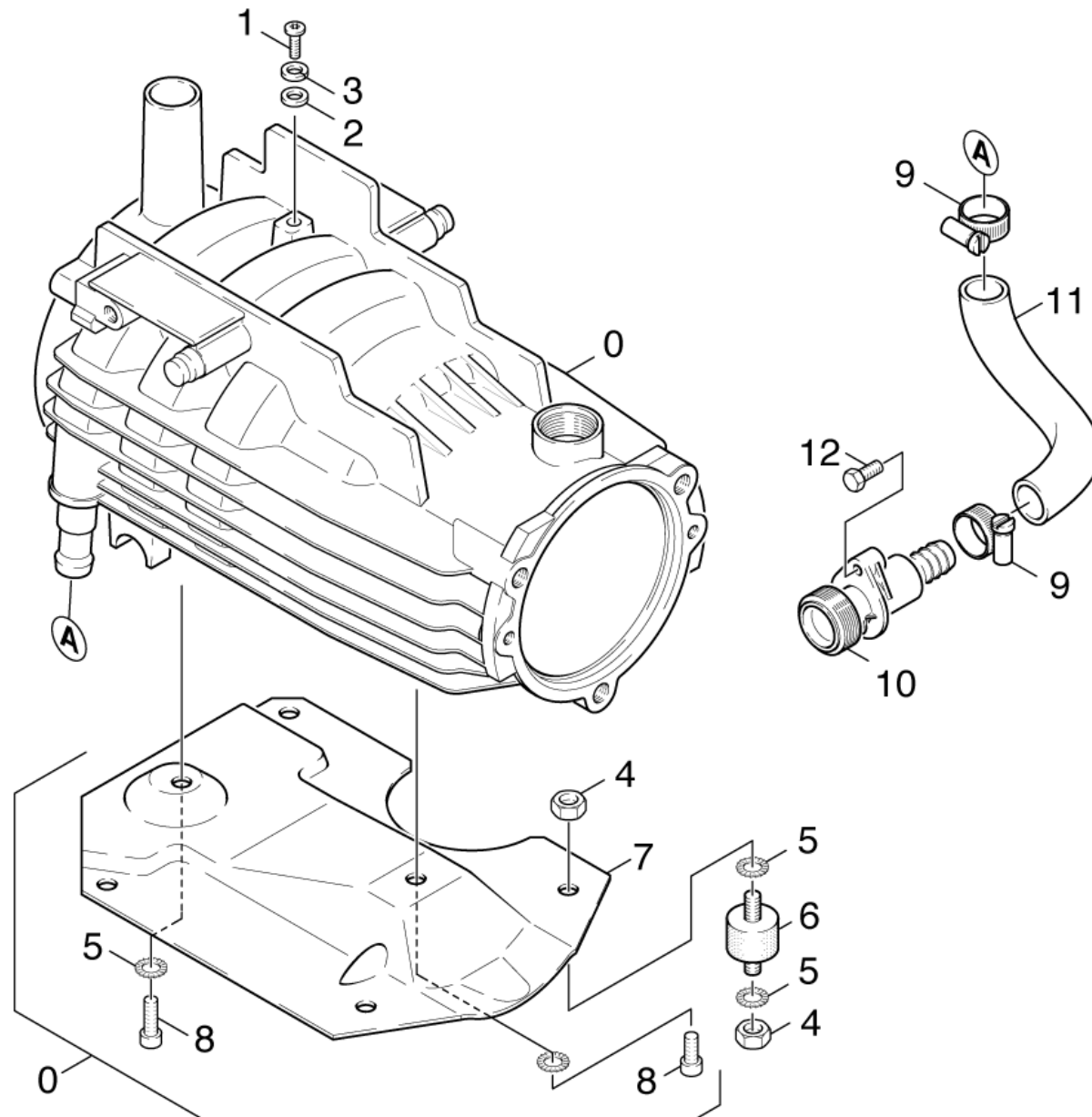
---

## 30 Motor

---

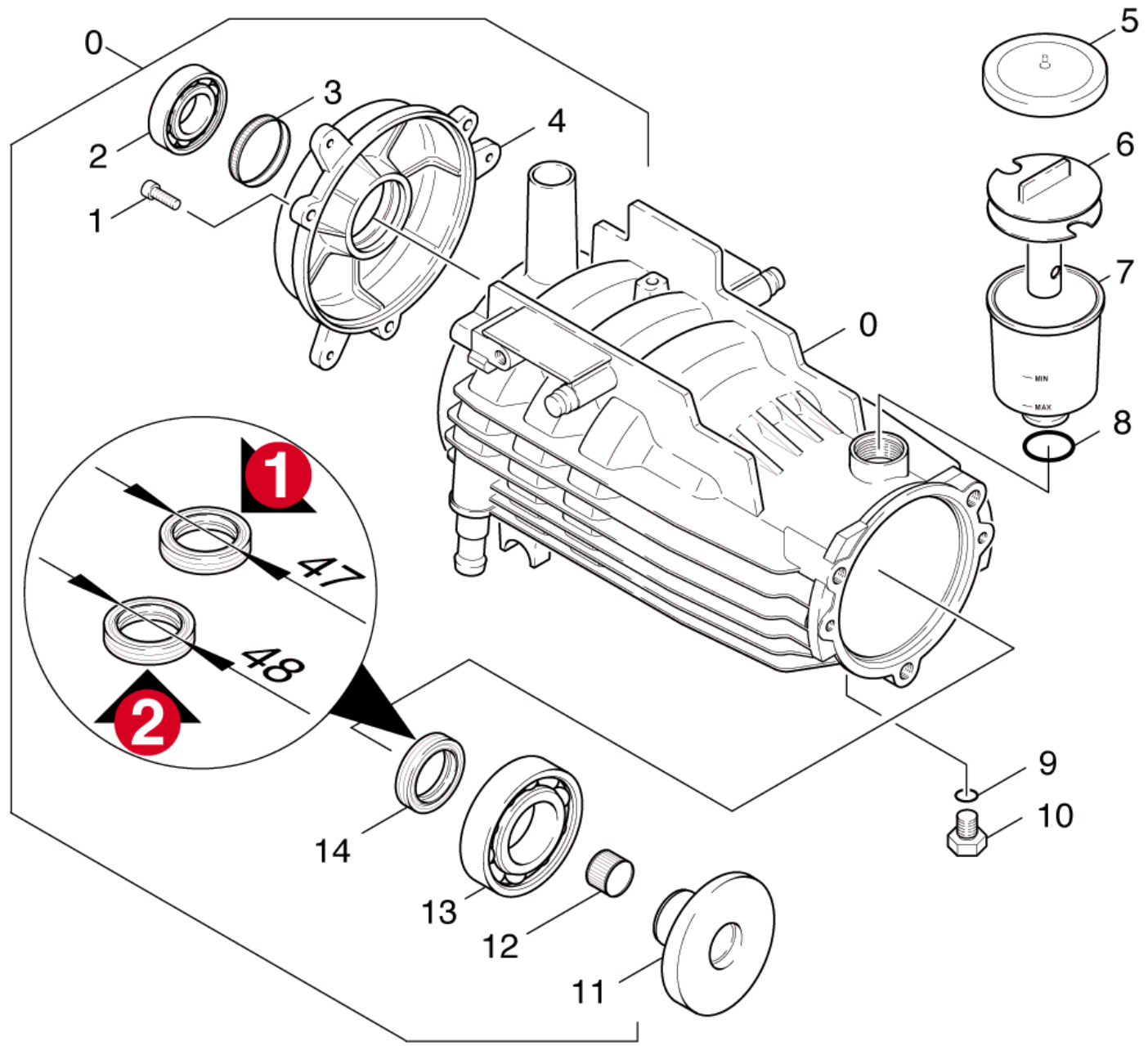
<b>POS</b>	<b>Description</b>	<b>Quantity</b>	<b>Unit</b>
31	Motor individual parts	1	PC
32	Transmission	1	PC





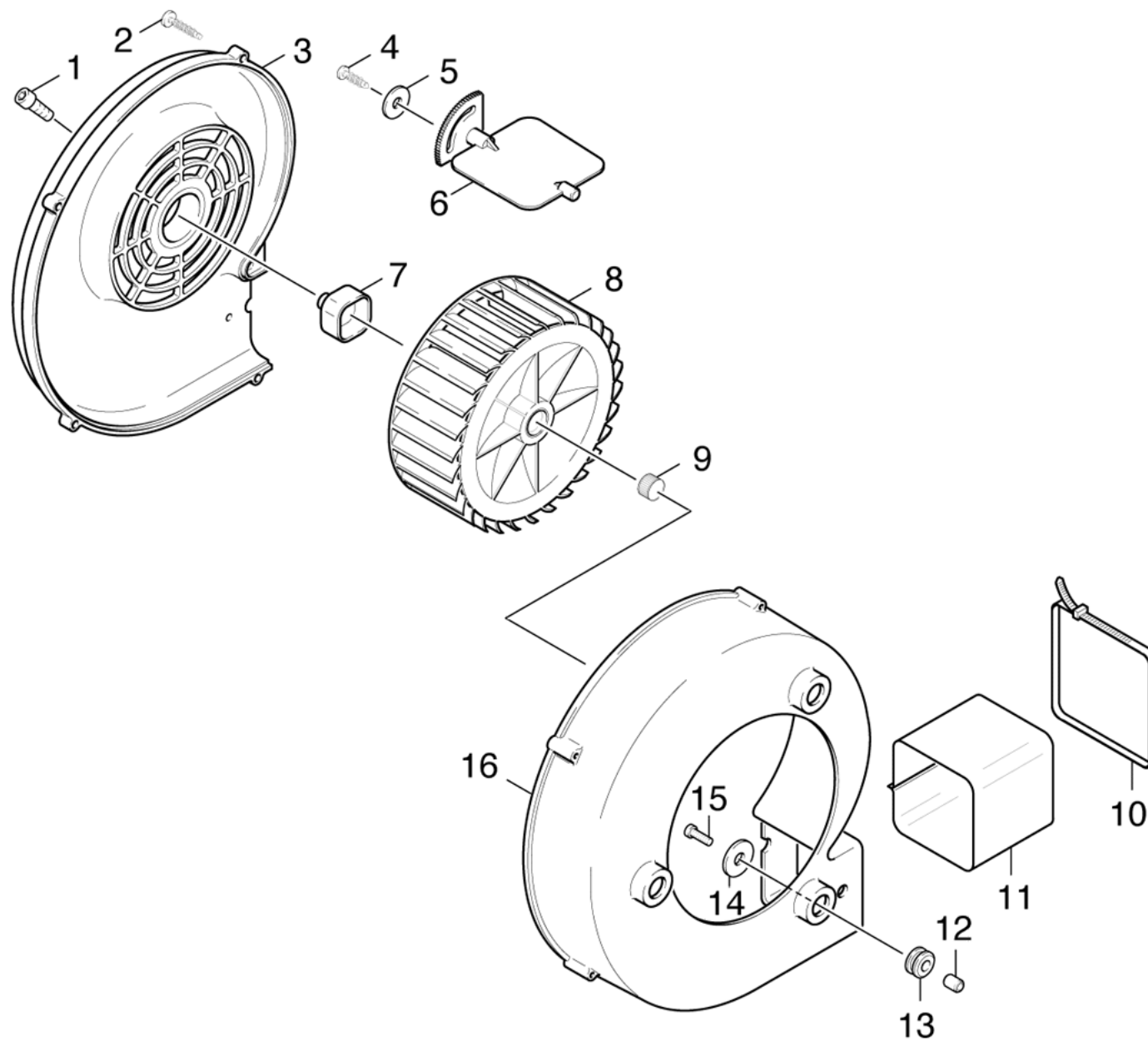
### 31 Motor individual parts

POS	Article no.	Description	Quantity	Unit	Foot note text
0	4.623-344.0	Motor complete	1	PC	
1	7.303-038.0	Screw M5x12 -St-P2R (In6Rd)	1	PC	
2	7.312-002.0	Washer 5-200HV-A3E ISO 7089	1	PC	
3	7.313-002.0	Spring washer B 5-FSt-MZN DIN 127	1	PC	
4	7.311-004.0	Hexagon nut M8 -8-A3E ISO 4032	8	PC	
5	7.312-166.0	Toothed lock washer A8,4-FSt-A3E DIN 6797	9	PC	
6	6.339-095.0	Rubber buffer	4	PC	
7	5.051-040.0	Base plate	1	PC	
8	7.303-067.0	Screw M8x16-ST-R3R (IN6RD)	2	PC	
9	6.388-547.0	Hose clip	2	PC	
10	5.427-178.0	Manifold	1	PC	
11	6.388-719.0	Hose DN17	1	m	TO ORDER AS CUT GOODS
12	6.303-174.0	Screw 6,0X20-ST-A2R	1	PC	



## 32 Transmission

POS	Article no.	Description	Quantity	Unit	Remark
0	4.623-344.0	Motor complete	1	PC	
1	7.303-048.0	Screw M6x20 -St-R3R (In6Rd)	3	PC	
2	7.401-126.0	Ball bearing 6204-2Z -Wälzl.St DIN 625	1	PC	
3	6.343-029.0	Tolerance ring 47X8	1	PC	
4	5.063-567.0	Cover	1	PC	
5	5.063-189.0	Cover	1	PC	
6	5.030-389.0	Moulded part	1	PC	
7	5.070-048.0	Box	1	PC	
8	6.362-168.0	O-Ring seal 22,3 X 2,4-NBR 70	1	PC	
9	6.362-528.0	O-Ring seal 9,5 X 2,0	1	PC	
10	5.411-102.0	Screw plug	1	PC	
11	5.120-286.0	Wobble plate	1	PC	
12	6.343-024.0	Tolerance ring	1	PC	
13	7.401-035.0	Ball bearing 7307B-TN DIN 628	1	PC	
14	7.367-007.0	Radial shaft seal ring A28x48x8 -NBR DI	1	PC	VERSION 2
14	7.367-017.0	Radial shaft seal ring A28x47x7-NBR DIN	1	PC	VERSION 1



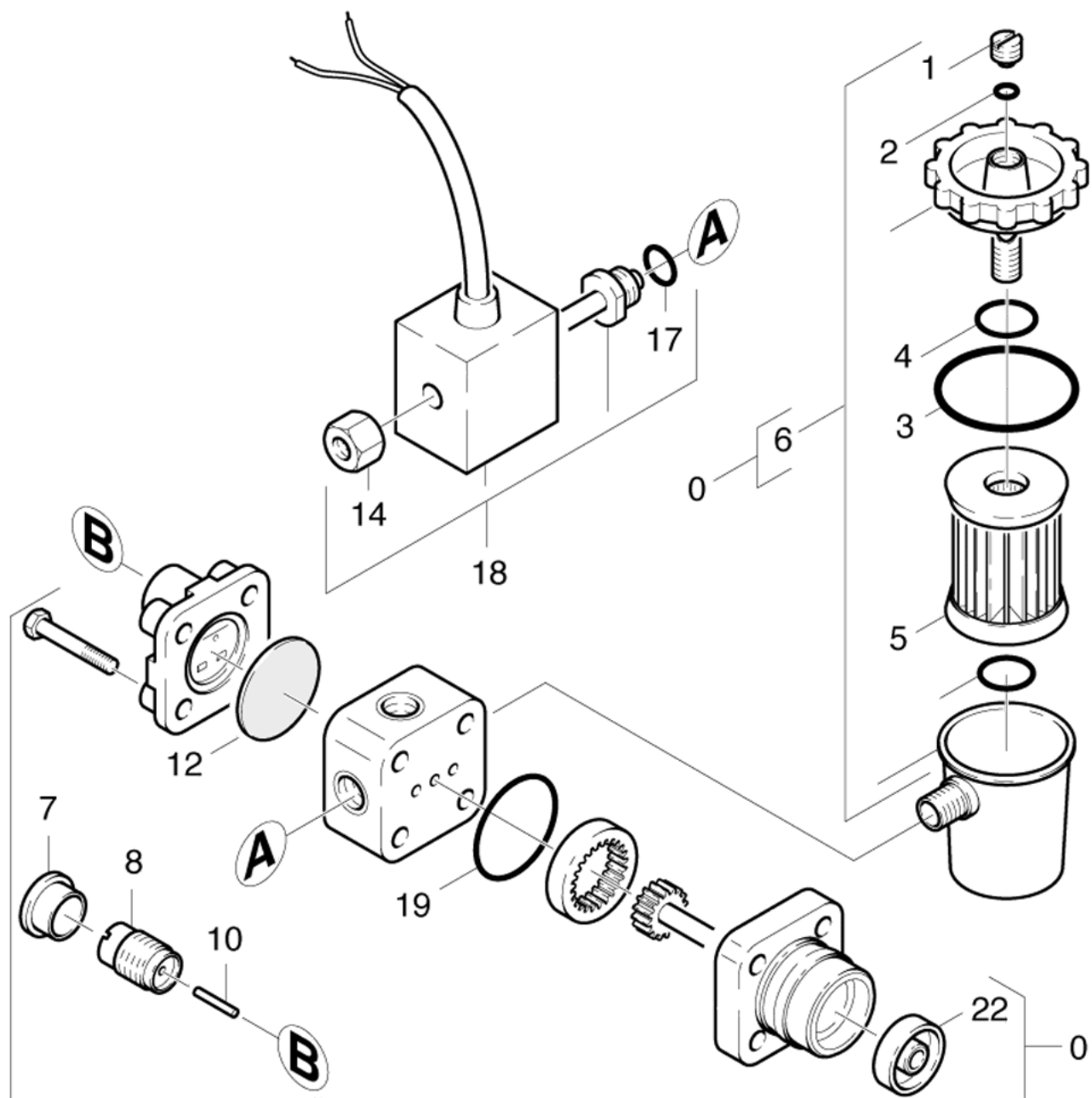
## 40 Blower

POS	Article no.	Description	Quantity	Unit
1	7.306-090.0	Screw M6x16 -8.8-P2R (In6Rd)	1	PC
2	7.303-084.0	Screw 4x25 -10.9-R2R (K-In6Rd)	5	PC
3	5.063-274.0	Cover	1	PC
4	7.303-077.0	Sheet metal screw ST4,8X16-ST-R2R (IN6R	1	PC
5	7.312-278.0	Washer 5-200HV-A2E ISO7093-1	1	PC
6	5.606-002.0	Air flap	1	PC
7	5.471-060.0	Coupling element	1	PC
8	5.600-021.0	Blower wheel	1	PC
9	6.343-166.0	Tolerance ring D14X8	1	PC
10	6.388-608.0	Tightening strap	2	PC
11	5.178-026.0	Cloth collar	1	PC
12	5.110-306.0	Sleeve	3	PC
13	5.379-011.0	Rubber ring	3	PC
14	7.312-264.0	Washer 5-100HV-A3E ISO 7094	3	PC
15	6.303-320.0	Screw M 5x 20-St-R2R	3	PC
16	5.605-143.0	Housing	1	PC

## 50 Fuel pump

---

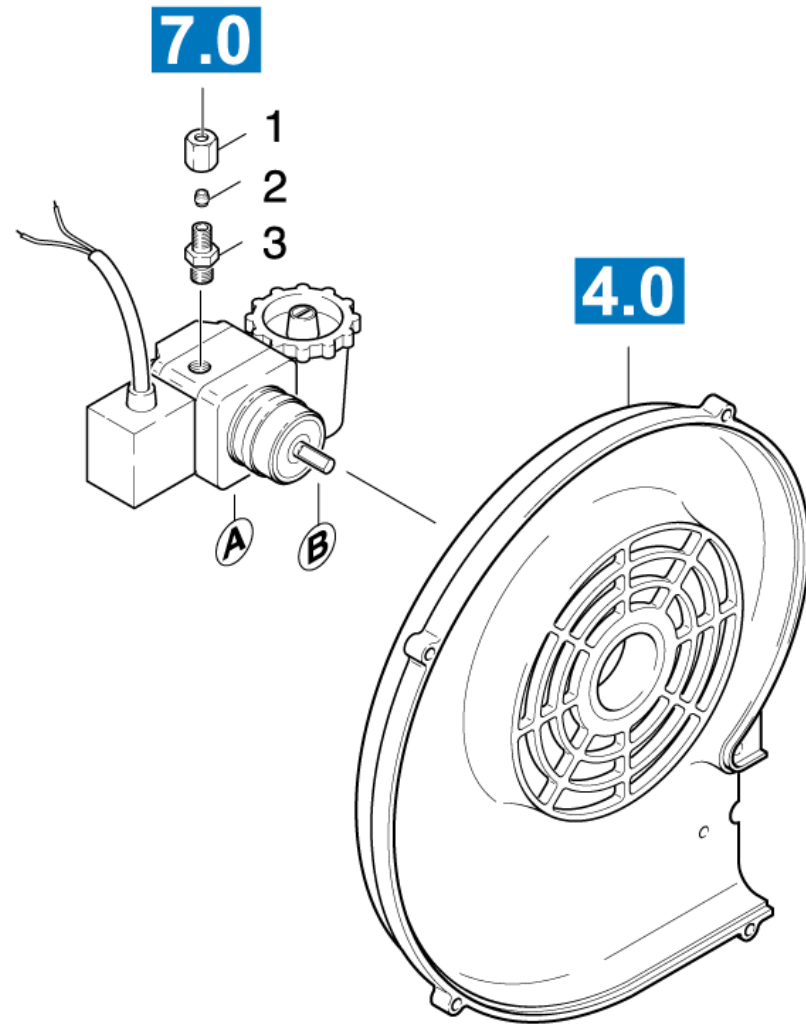
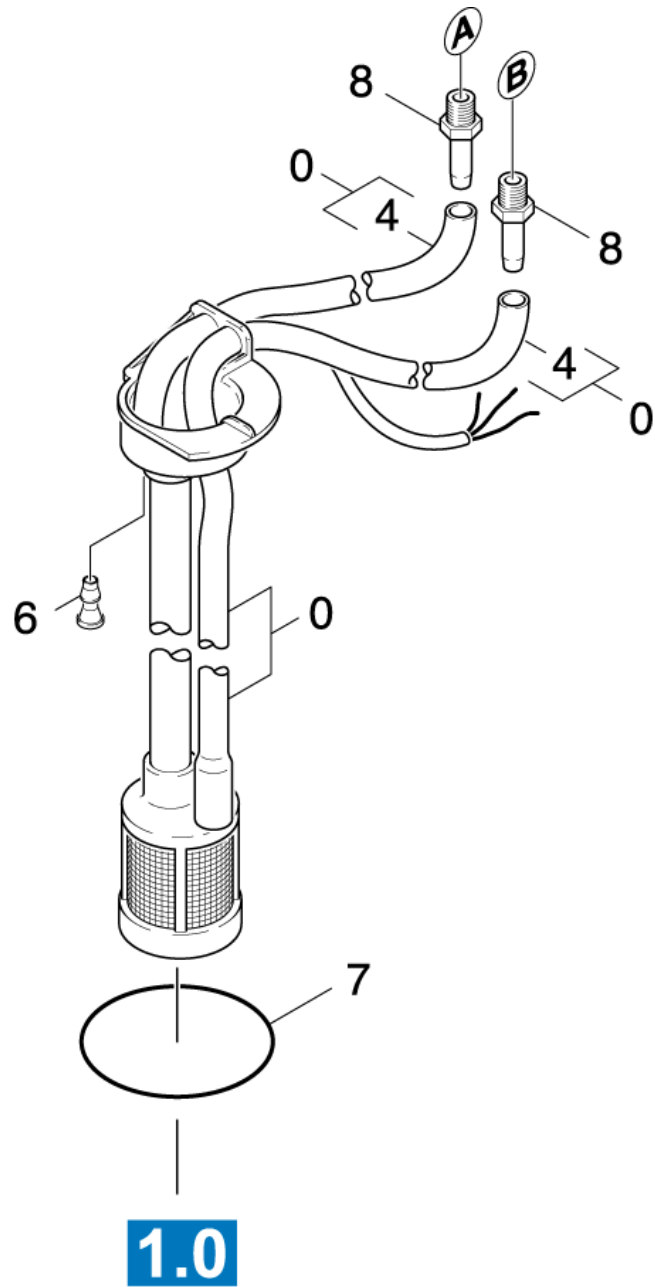
<b>POS</b>	<b>Description</b>	<b>Quantity</b>	<b>Unit</b>
51	Fuel pump	1	PC
52	Fuel pump	1	PC





## 51 Fuel pump

POS	Article no.	Description	Quantity	Unit
0	6.472-925.0	Pump oil burner only for replacement	1	PC
1	6.472-107.0	Screw ventilation	1	PC
2	6.472-106.0	O-Ring seal 5,0 X 1,8	1	PC
3	6.472-111.0	O-Ring seal 32,0 X 1,6	1	PC
4	6.472-112.0	O-Ring seal 10,0 x 2,4 NBR 70	1	PC
5	6.472-113.0	Filter cartridge	1	PC
6	6.472-123.0	Filter housing complete	1	PC
7	6.472-122.0	Protecting cap	1	PC
8	6.472-109.0	Housing spring	1	PC
10	6.472-108.0	Pin	1	PC
12	6.472-128.0	Diaphragm	1	PC
14	6.472-340.0	Knurled nut	1	PC
17	6.472-125.0	O-Ring seal 12,0 X 1,5	1	PC
18	6.472-411.0	Solenoid valve	1	PC
19	6.472-120.0	O-Ring seal 28,5 X 1,6	1	PC
22	6.472-105.0	Seal axle	1	PC



## 52 Fuel pump

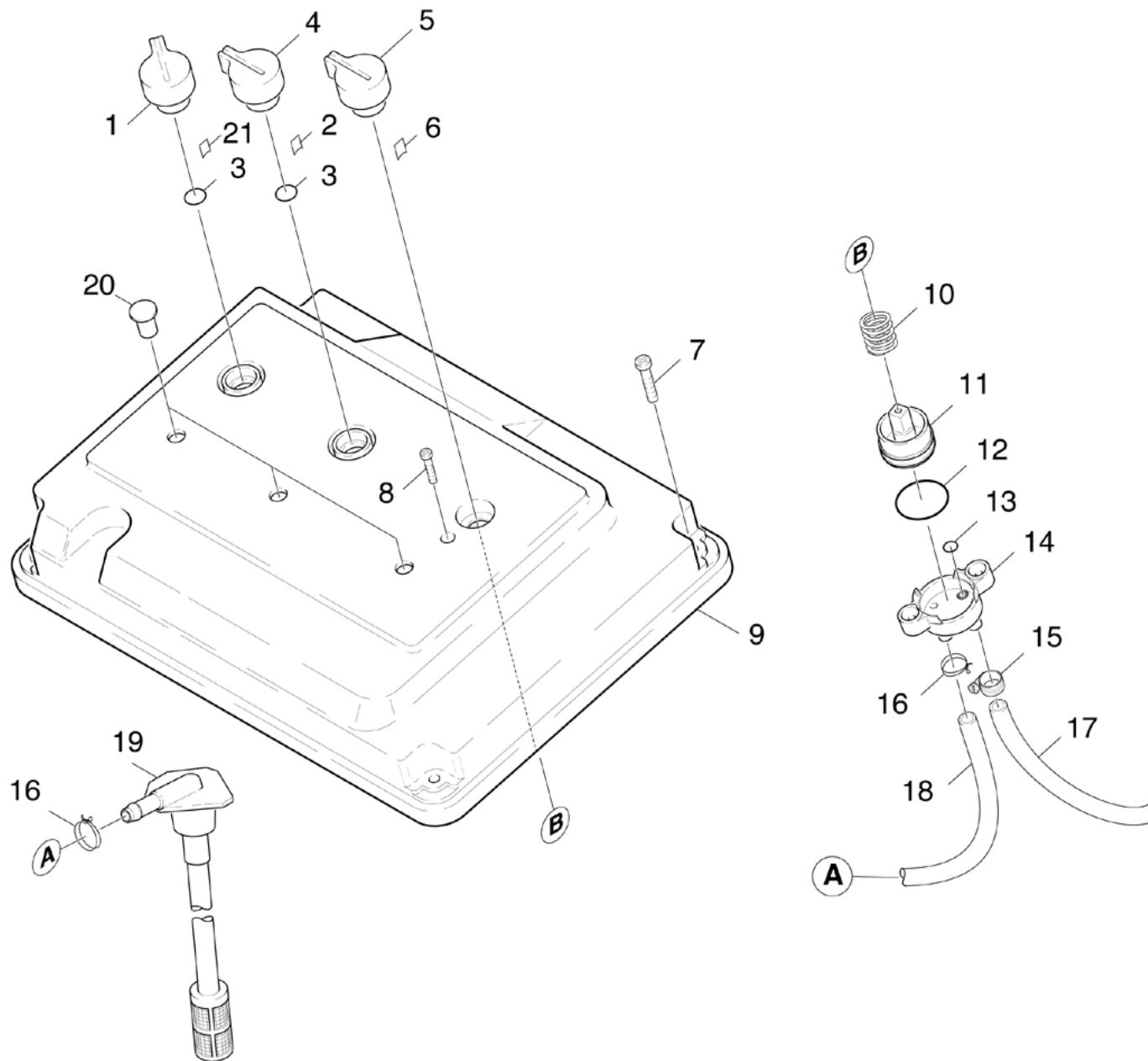
---

POS	Article no.	Description	Quantity	Unit	Foot note text
0	4.747-067.0	Level probe fuel	1	PC	
1	6.389-262.0	Union nut A 4-LL	1	PC	
2	6.389-263.0	Cutting ring d.4	1	PC	
3	6.389-261.0	Screw union	1	PC	
4	6.389-534.0	Hose	1	m	TO ORDER AS CUT GOODS
6	5.110-532.0	Sleeve	1	PC	
7	5.363-306.0	Joint ring	1	PC	
8	6.472-927.0	Hose stem only for replacement	2	PC	

## 60 Electric control box

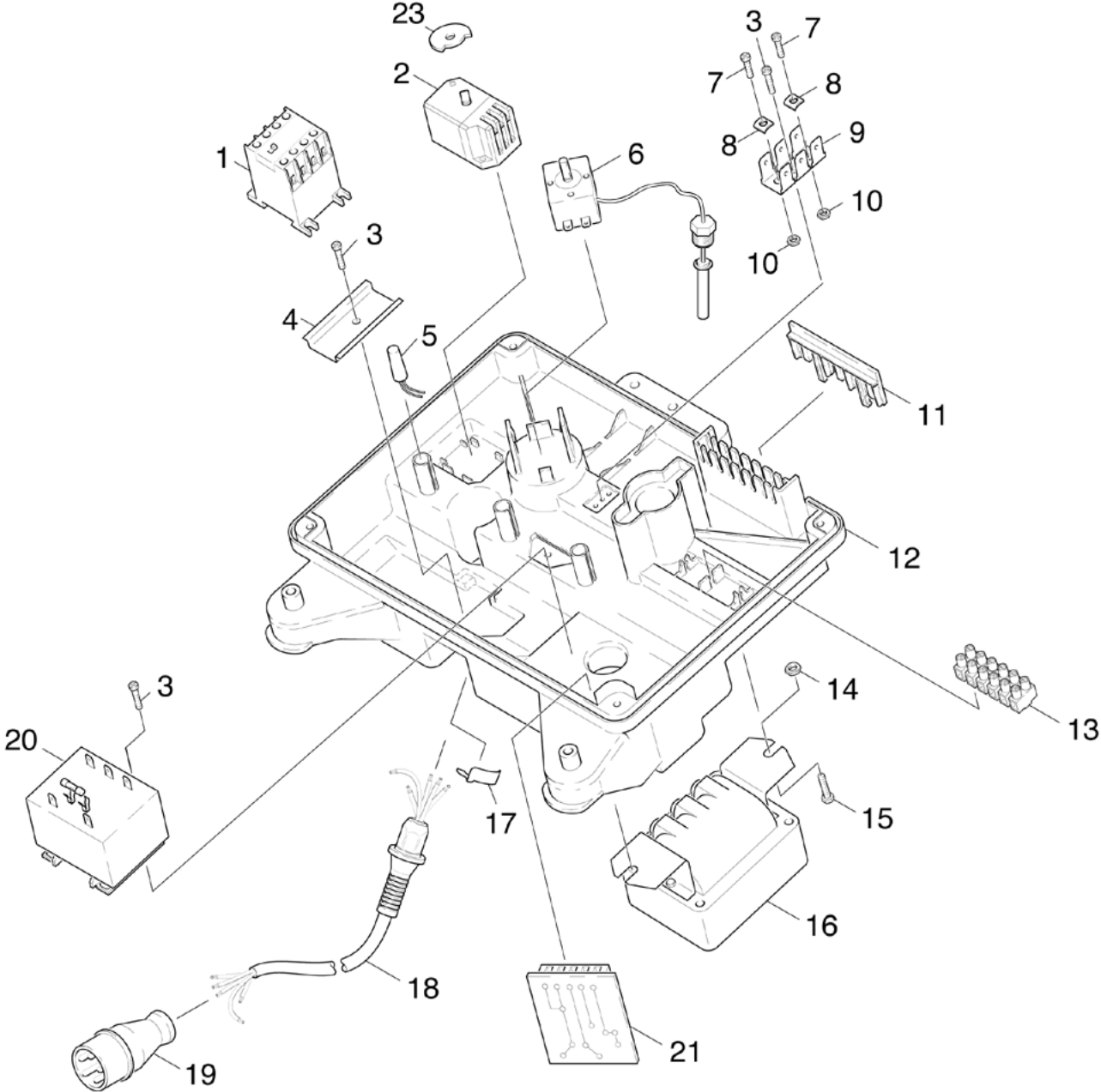
---

<b>POS</b>	<b>Description</b>	<b>Quantity</b>	<b>Unit</b>
61	Control panel	1	PC
62	Mounting plate	1	PC



## 61 Control panel

POS	Article no.	Description	Quantity	Unit	Foot note text
1	5.321-555.0	Handhold	1	PC	
2	6.313-014.0	Spring element	1	PC	
3	6.362-078.0	O-Ring seal 13,3x2,4	2	PC	
4	5.321-449.0	HANDLE SWITCHES	1	PC	
5	5.321-450.0	HANDLE SWITCHES	1	PC	
6	5.337-021.0	Plate spring	1	PC	
7	6.303-155.0	Screw 5x16	4	PC	
8	7.303-033.0	Screw M4x16-ST-P2R (KOMBI-IN6RD	1	PC	
9	5.841-324.0	Control panel	1	PC	
	<b>Item text1:</b> / 1.873-512.0				
9	5.841-341.0	Control panel	1	PC	
	<b>Item text1:</b> / 1.873-501.0 / -502.0 / -503.0				
	<b>Item text2:</b> / -504.0 / -508.0 / -509.0				
10	5.332-028.0	Helical spring	1	PC	
11	5.581-178.0	Valve seat	1	PC	
12	6.362-712.0	O-Ring seal 25,3 X 2,4	1	PC	
13	6.362-386.0	O-Ring seal 5,0 x 1,5-NBR 80	1	PC	
14	5.587-054.0	Valve housing	1	PC	
15	6.388-515.0	Hose clip	1	PC	
16	6.388-559.0	Hose clip	2	PC	
17	6.388-194.0	Hose DN 7	1	m	TO ORDER AS CUT GOODS
18	6.388-225.0	Hose DN 7	1	m	TO ORDER AS CUT GOODS
19	6.414-028.0	Filter	1	PC	
20	6.651-316.0	Lens housing red	3	PC	
21	6.313-003.0	Locking spring	1	PC	



## 62 Mounting plate

POS	Article no.	Description	Quantity	Unit	Remark
1	4.632-002.0	Contacteur -nur fuer Ersatz-	1	PC	
	<b>Item text1:</b> / 1.873-501.0 / -503.0 / -504.0				
	<b>Item text2:</b> / -508.0 / -509.0 / -512.0				
1	6.632-356.0	Contacteur LC1-D18 B7	1	PC	
	<b>Item text1:</b> / 1.873-502.0				
2	6.631-190.0	Motor protecting switch	1	PC	
3	7.303-106.0	Screw 4x12 -10.9-R2R (IN6RD)	3	PC	
4	5.802-261.0	Mounting part	1	PC	
5	4.651-026.0	Pilot lamp only for replacement	3	PC	
6	6.685-949.0	Thermostat	1	PC	
7	7.303-033.0	Screw M4x16-ST-P2R (KOMBI-IN6RD)	2	PC	
8	6.641-804.0	Clamping washer 4	2	PC	
9	6.641-270.0	Plug	1	PC	
10	7.311-001.0	Hexagon nut M4 -6-A2E ISO 4032	2	PC	
11	5.030-954.0	Clamping part	1	PC	
12	5.801-115.0	Mounting plate	1	PC	
13	6.643-249.0	Strip terminal	1	ZST	
14	7.311-425.0	Hexagon nut M6 -04-A2E DIN 985	1	PC	
15	7.304-386.0	Hexagonal head screw M 6x25-8.8-A2E ISO	1	PC	
16	2.883-468.0	Spare parts set ignition transformer	1	PC	
	<b>Item text1:</b> / 1.873-501.0 / -504.0				
16	4.622-033.0	Ignition transformer only for replacemen	1	PC	
	<b>Item text1:</b> / 1.873-502.0				
17	6.343-170.0	Retaining clip	1	PC	
18	6.647-250.0	Cable with rubber bushing	1	PC	
19	6.646-030.0	Plug CEE ,16A,5p,IP44	1	PC	
	<b>Item text1:</b> / 1.873-501.0				
20	4.622-018.0	Control transformer -nur für Ersatz-	1	PC	VERSION 2
	<b>Item text1:</b> / 1.873-502.0				
20	6.622-021.0	Control transformer 40VA	1	PC	VERSION 1
20	6.622-241.0	Control transformer 400V	1	PC	VERSION 2
	<b>Item text1:</b> / 1.873-501.0 / -503.0 / -504.0				
	<b>Item text2:</b> / -508.0 / -509.0 / -512.0				



## 62 Mounting plate

---

<b>POS</b>	<b>Article no.</b>	<b>Description</b>	<b>Quantity</b>	<b>Unit</b>	<b>Remark</b>
21	4.633-058.0	Pulse generator only for replacement	1	PC	
22	4.828-007.0	Anti-interference filter complete	1	PC	
23	5.115-734.0	Stop washer	1	PC	

16 Spare parts set ignition transformer (2.883-468.0)

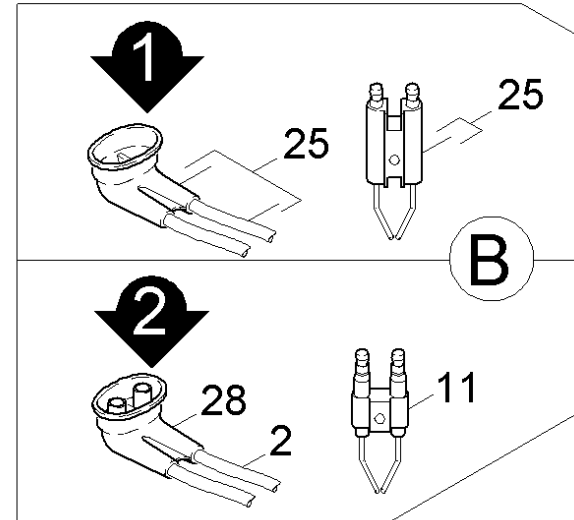
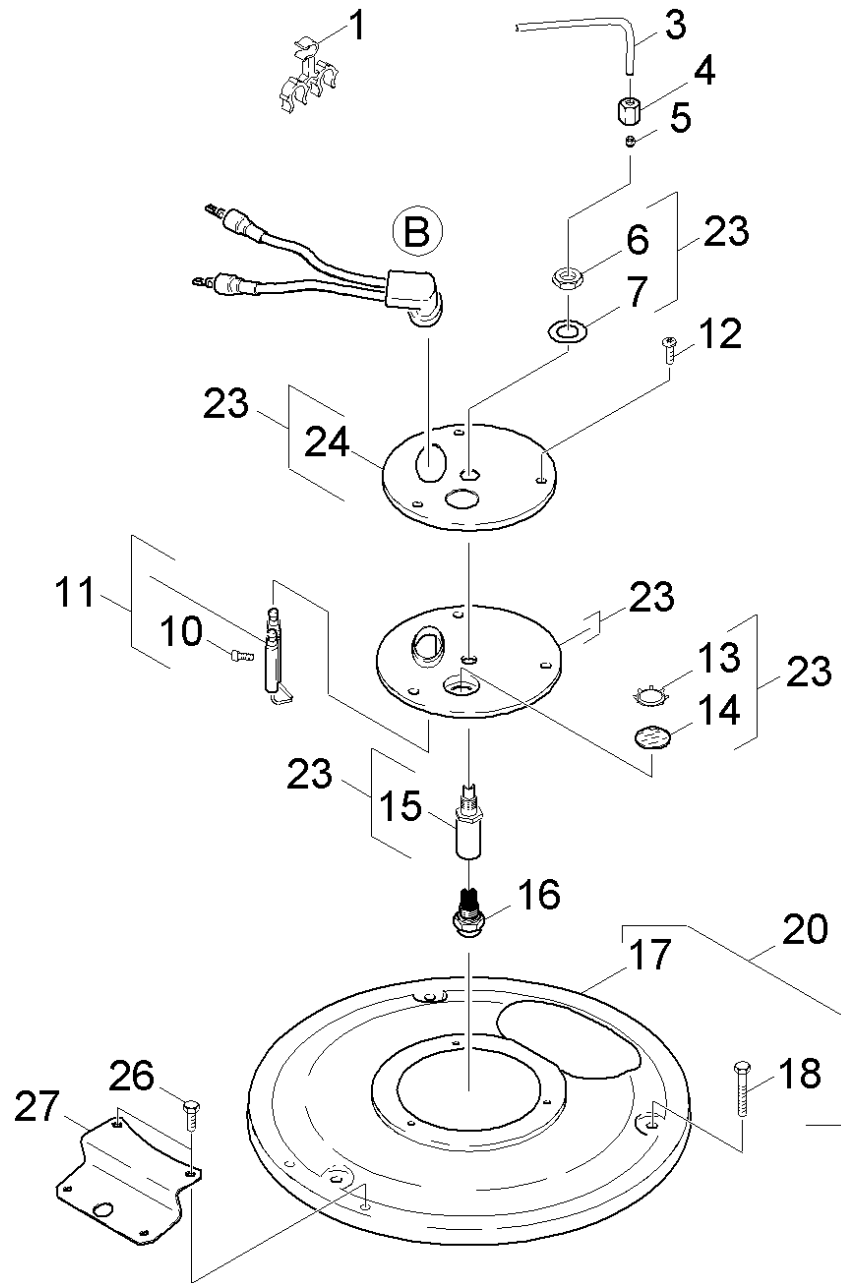
---

<b>POS</b>	<b>Article no.</b>	<b>Description</b>	<b>Quantity</b>	<b>Unit</b>
10	6.622-157.0	Ignition transformer 400V 50Hz	1	PC
20	6.647-518.0	Ignition cable	1	PC

## 70 Flow heater

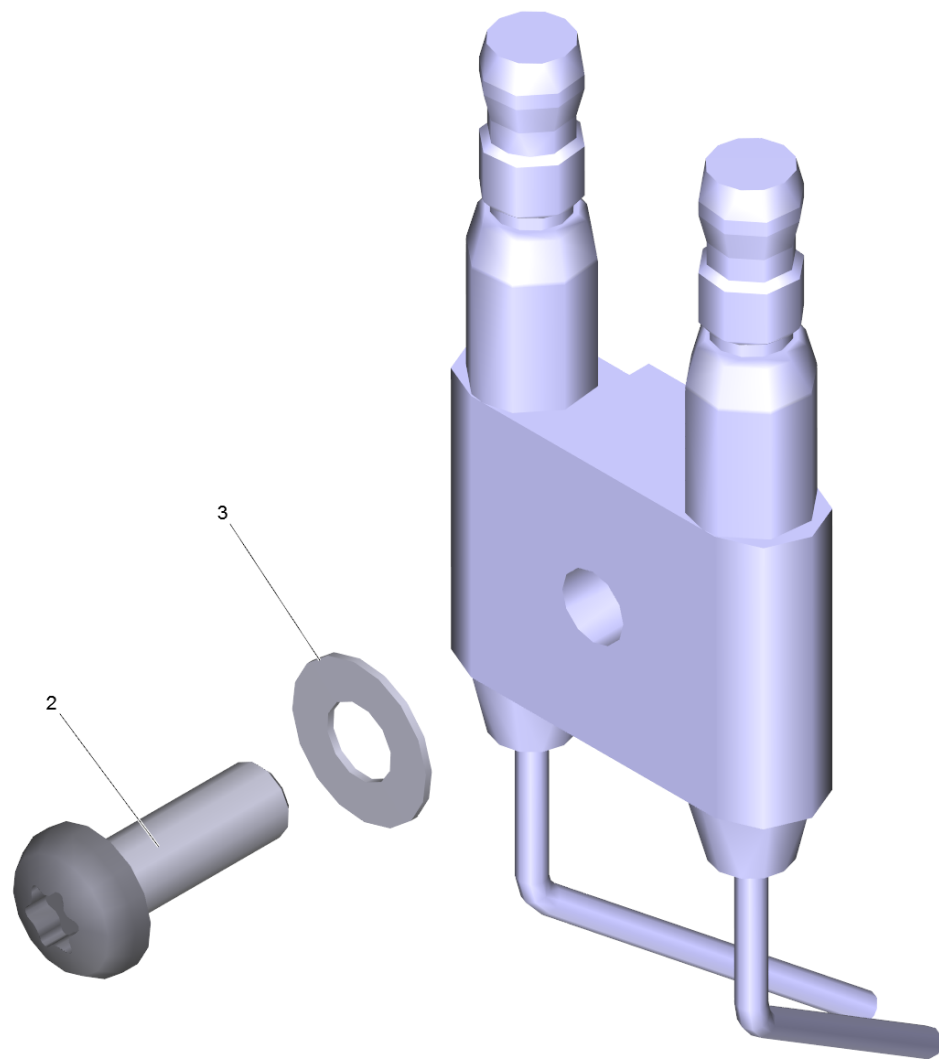
---

<b>POS</b>	<b>Description</b>	<b>Quantity</b>	<b>Unit</b>
71	Burner cover	1	PC
72	Heating coil	1	PC
73	Burner bottom	1	PC



## 71 Burner cover

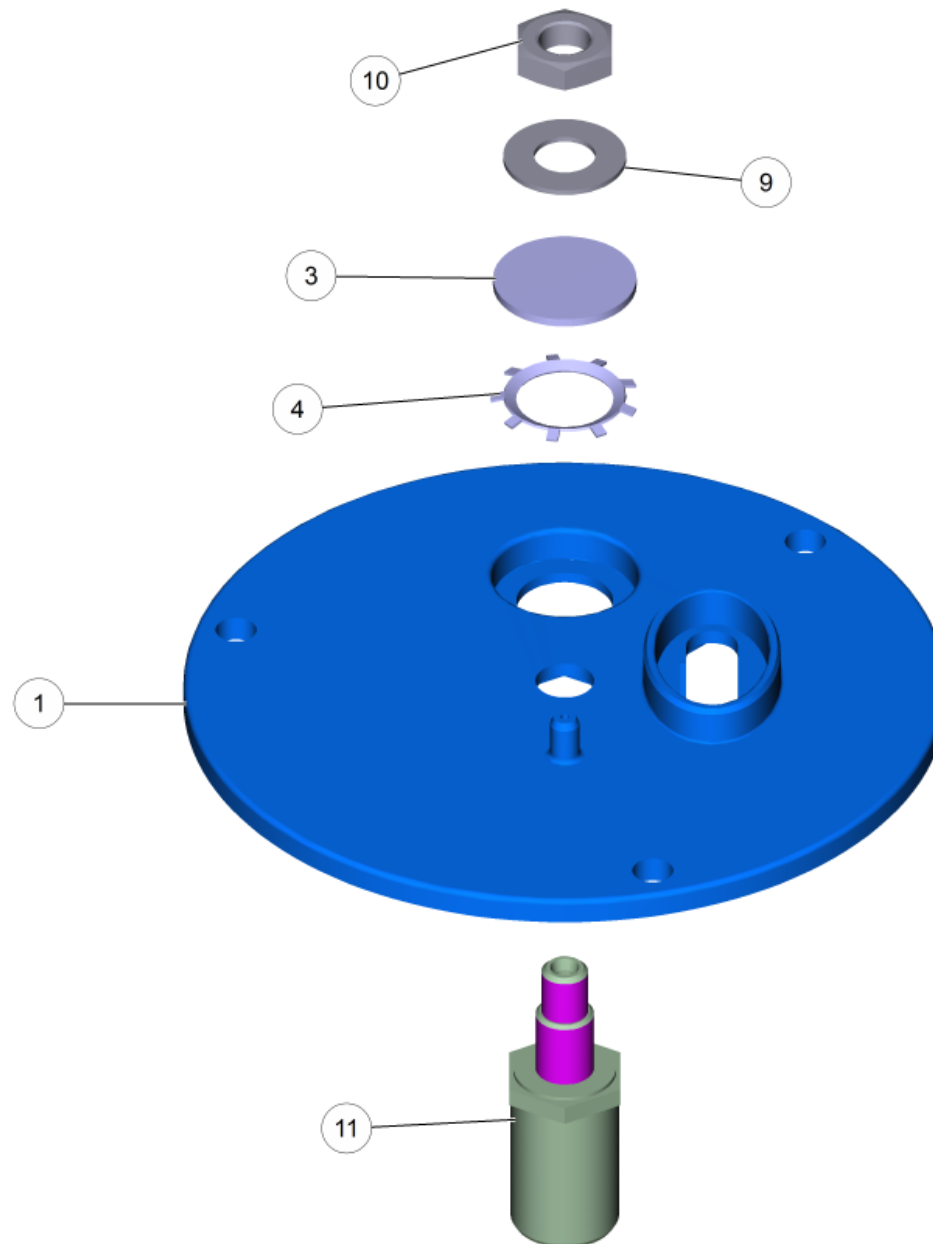
POS	Article no.	Description	Quantity	Unit
1	6.647-527.0	Holder	1	PC
2	4.821-071.0	IGNITION LEAD (HDS 557CI)	1	PC
3	5.423-140.0	Conduit	1	PC
4	6.389-262.0	Union nut A 4-LL	1	PC
5	6.389-263.0	Cutting ring d.4	1	PC
6	7.311-101.0	Hexagon nut M10x1 -04-A2E ISO 8675	1	PC
7	7.312-302.0	Spring washer B10-FST-A2E DIN 137	1	PC
10	7.306-217.0	Screw M5x14 -8.8-R2R (In6Rd)	1	PC
11	2.638-974.0	Conversion kit ignition electrode	1	PC
12	7.303-038.0	Screw M5x12 -St-P2R (In6Rd)	3	PC
13	6.343-165.0	Serrated ring	1	PC
14	6.278-018.0	Glass pane	1	PC
15	5.667-055.0	Nozzle holder	1	PC
16	6.415-758.0	Nozzle 1,10-60°-AR-D	1	PC
17	4.654-196.0	Cover pressure boiler	1	PC
18	6.303-258.0	Self-tapping screw	3	PC
20	4.652-112.0	Outer covering	1	PC
23	4.654-218.0	Cover plate pressure boiler	1	PC
24	5.654-059.0	Cover pressure boiler	1	PC
25	2.638-976.0	Conversion kit ignition cable	1	PC
26	7.306-090.0	Screw M6x16 -8.8-P2R (In6Rd)	2	PC
27	5.030-985.0	Moulded part	1	PC
28	5.394-470.0	Protecting cap	1	PC



## 11 Conversion kit ignition electrode (2.638-974.0)

---

<b>POS</b>	<b>Article no.</b>	<b>Description</b>	<b>Quantity</b>	<b>Unit</b>
2	7.306-217.0	Screw M5x14 -8.8-R2R (In6Rd)	1	PC
3	7.312-304.0	Spring washer B 5-FST-A2E DIN 137	1	PC

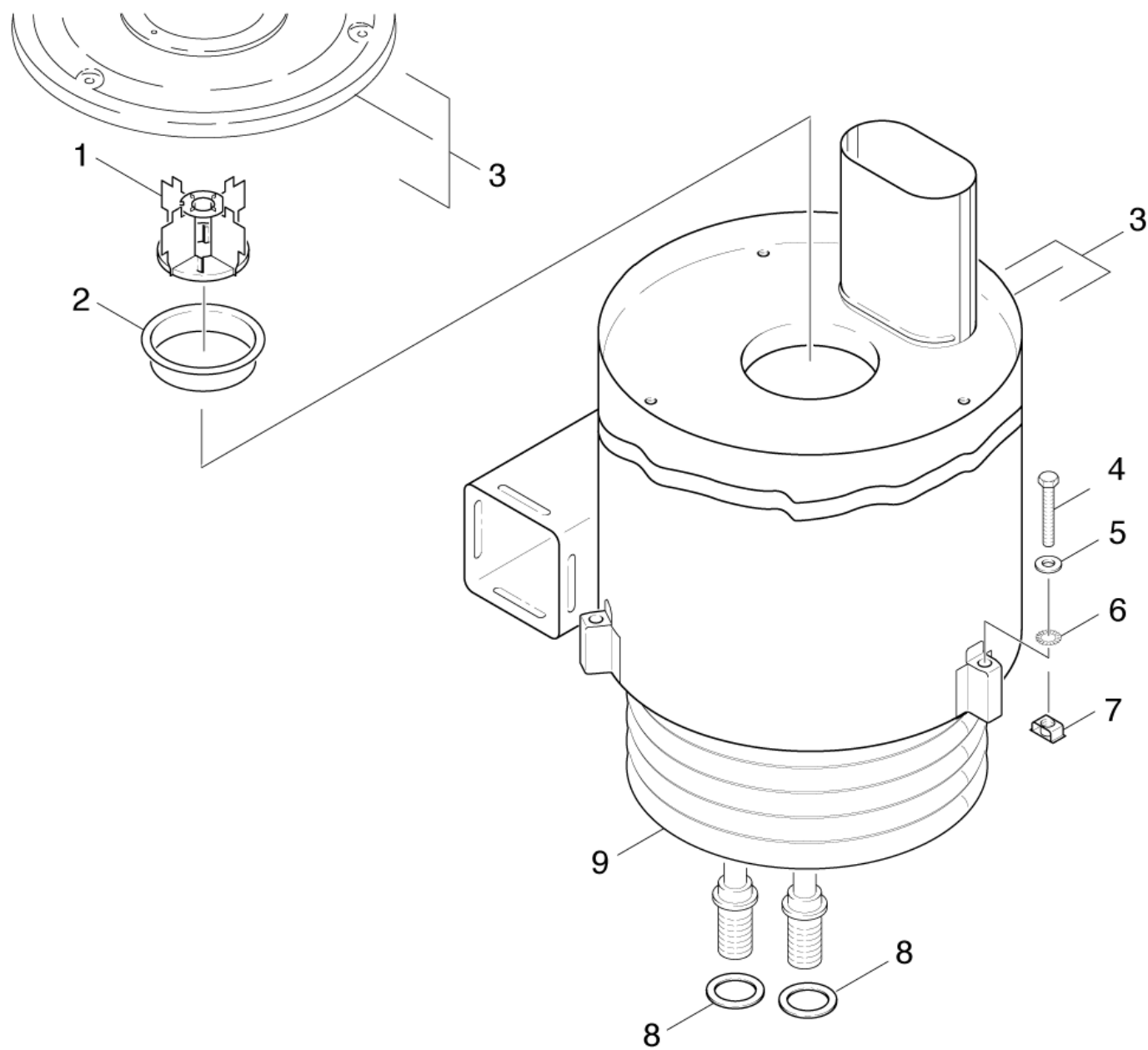




## 23 Cover plate pressure boiler (4.654-218.0)

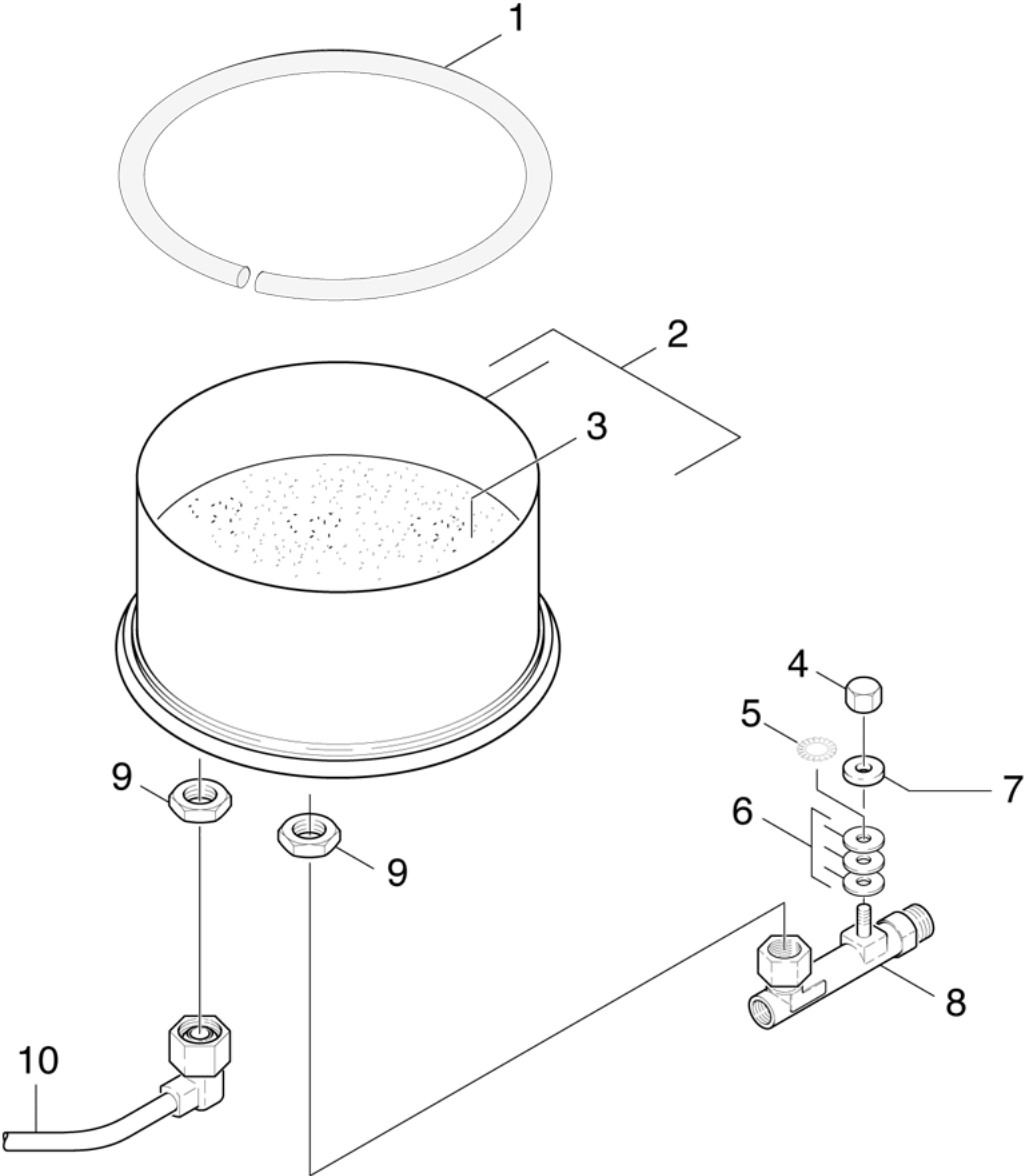
---

<b>POS</b>	<b>Article no.</b>	<b>Description</b>	<b>Quantity</b>	<b>Unit</b>
1	5.662-022.0	Burner cover	1	PC
3	6.278-018.0	Glass pane	1	PC
4	6.343-165.0	Serrated ring	1	PC
9	7.312-302.0	Spring washer B10-FST-A2E DIN 137	1	PC
10	7.311-101.0	Hexagon nut M10x1 -04-A2E ISO 8675	1	PC
11	5.667-055.0	Nozzle holder	1	PC



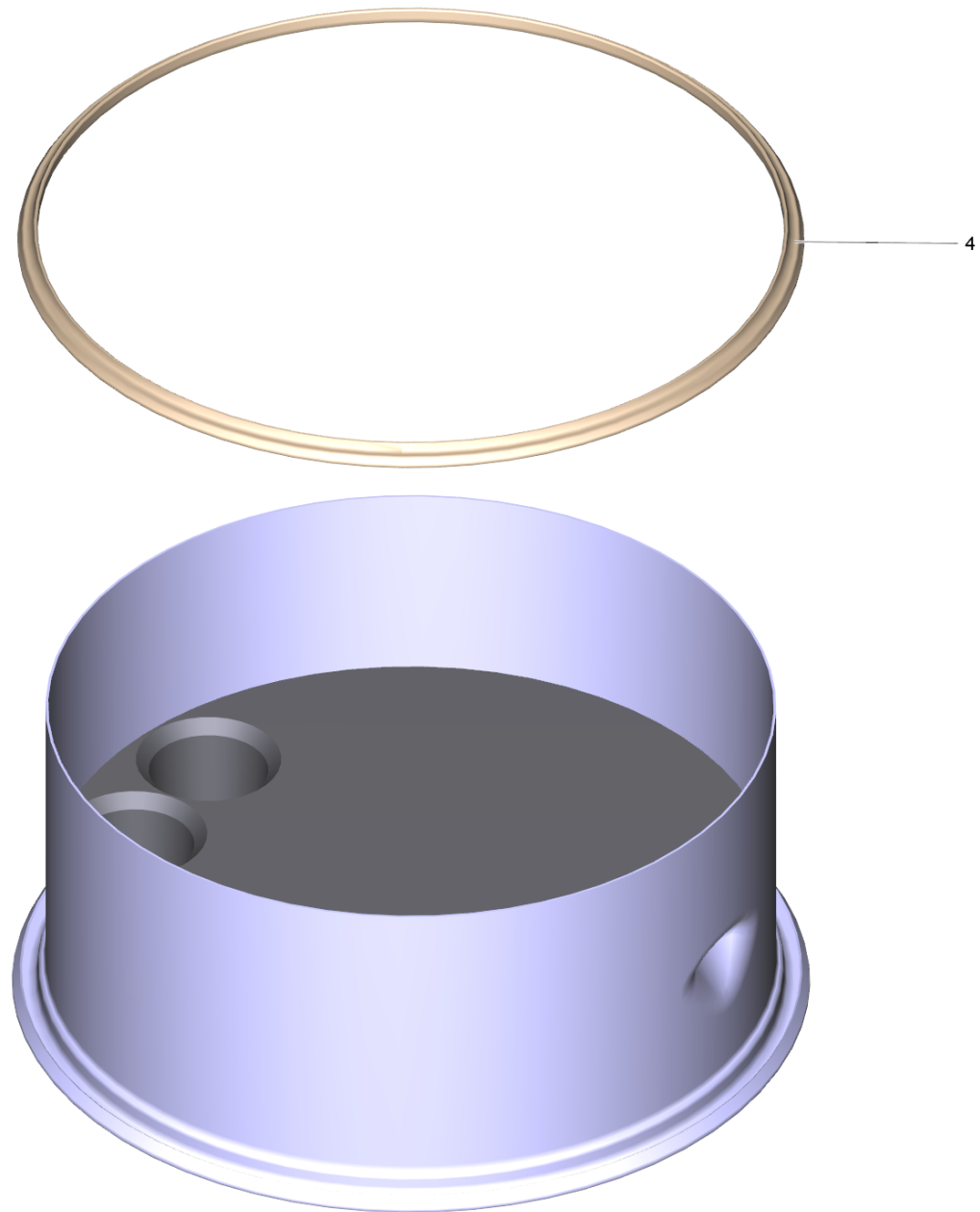
## 72 Heating coil

POS	Article no.	Description	Quantity	Unit	Foot note text
1	4.663-073.0	Baffle plate complete	1	PC	
2	5.664-182.0	Flame tube	1	PC	
3	4.652-112.0	Outer covering	1	PC	
4	7.304-096.0	Hexagonal head screw M8x60-8.8-A2E ISO	3	PC	
5	7.312-004.0	Washer 8 -200HV-A3E ISO 7089	3	PC	
6	7.312-166.0	Toothed lock washer A8,4-FSt-A3E DIN 6797	3	PC	
7	6.310-081.0	Cage nut M 8	3	PC	
8	5.365-068.0	Profile gasket	2	PC	
9	4.680-127.0	Heating coil	1	PC	
9	4.680-129.0	Heating coil VA	1	PC	STAINLESS STEEL CONSTRUCTION



## 73 Burner bottom

POS	Article no.	Description	Quantity	Unit
1	6.366-009.0	Seal string	1	PC
2	4.655-044.0	Bottom pressure boiler	1	PC
3	2.889-061.0	Refractory material 8kg	1	PC
4	7.311-004.0	Hexagon nut M8 -8-A3E ISO 4032	1	PC
5	7.312-169.0	Toothed lock washer A13-FSt-A3E DIN 6797	1	PC
6	7.312-005.0	Washer 10-200HV-A3E ISO 7089	3	PC
7	7.312-277.0	Washer 8-200HV-A2E ISO7093-1	1	PC
8	4.427-182.0	Manifold	1	PC
9	7.311-155.0	Hexagon nut M22x1,5 -Cu2 DIN 936	2	PC
10	4.421-064.0	Pipelines	1	PC



2 Bottom pressure boiler (4.655-044.0)

---

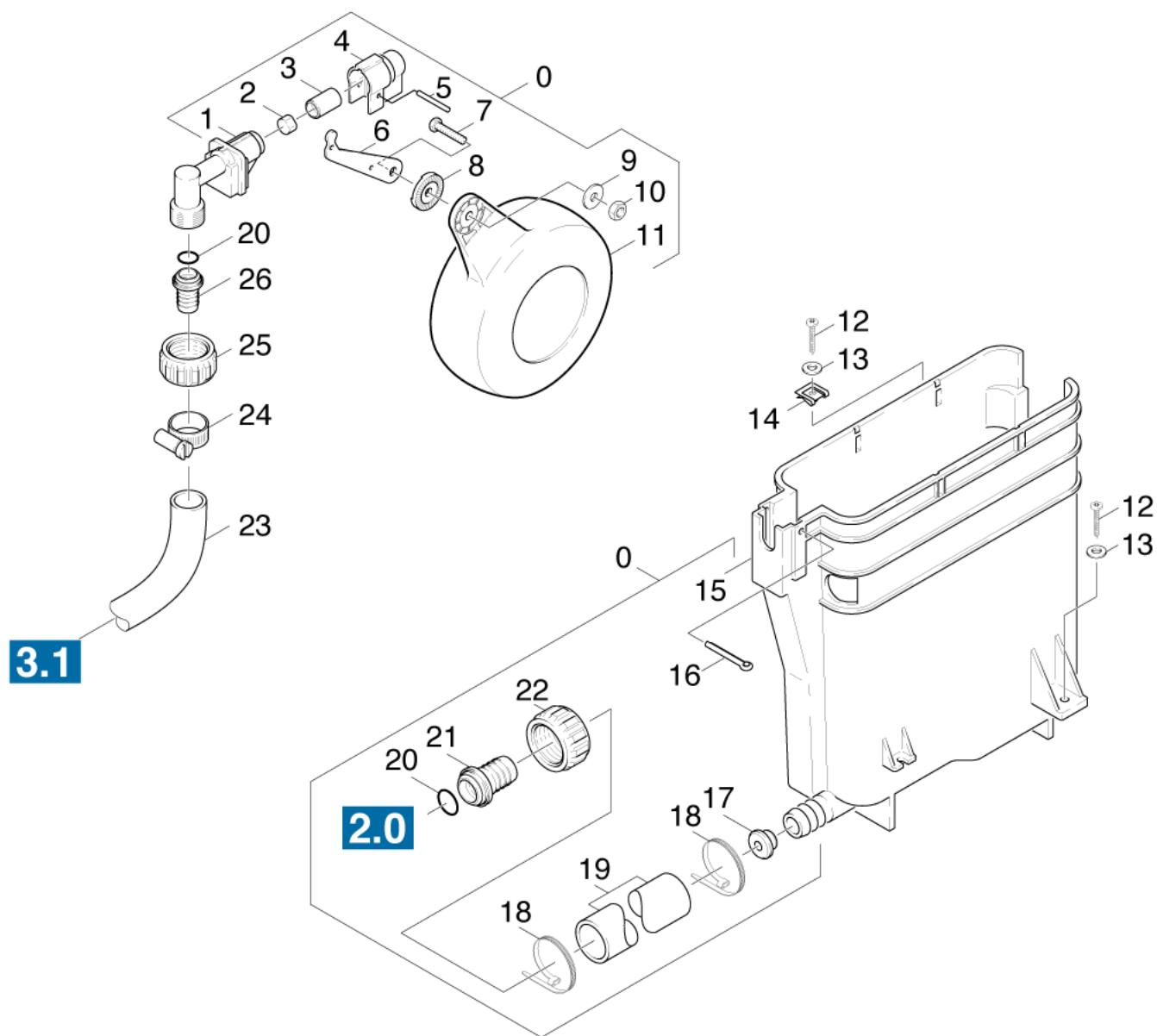
POS	Article no.	Description	Quantity	Unit
4	6.366-009.0	Seal string	1	PC
6		Quick-bonding agent	0,004	ZST

80 Float chest

---

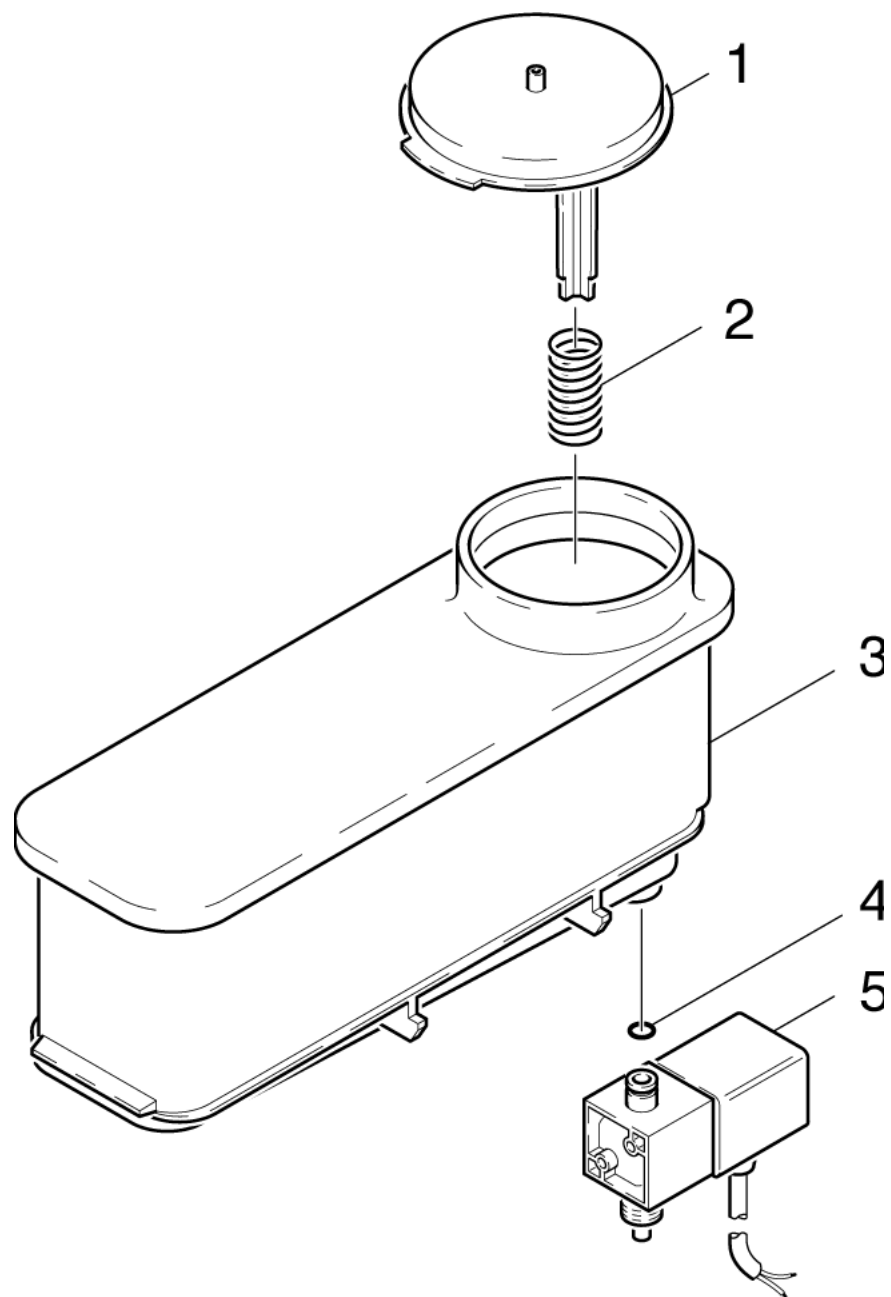
<b>POS</b>	<b>Description</b>	<b>Quantity</b>	<b>Unit</b>
81	Float chest	1	PC
82	DGT	1	PC





## 81 Float chest

POS	Article no.	Description	Quantity	Unit	Foot note text
0	3.593-102.0	Float tank complete	1	PC	
1	5.587-134.0	Valve housing	1	PC	
2	5.364-095.0	Flat gasket	1	PC	
3	5.584-026.0	Valve pin	1	PC	
4	5.394-066.0	Protection part	1	PC	
5	7.316-004.0	Bolt A 3x25 -CuZn ISO 2340	1	PC	
6	5.481-029.0	Lever	1	PC	
7	7.306-194.0	Screw M6x20 -A2-70 (In6Rd) ISO 14583	1	PC	
8	5.115-158.0	Washer	1	PC	
9	7.312-279.0	Washer 6-CuZn ISO 7093-1	1	PC	
10	7.311-422.0	Hexagon nut M 6-1.4305 ISO 10511	1	PC	
11	5.585-014.0	Float	1	PC	
12	7.303-078.0	Sheet metal screw ST4,8X19-ST-P2R (In6Rd)	2	PC	
13	7.312-278.0	Washer 5-200HV-A2E ISO7093-1	2	PC	
14	6.310-028.0	Snap nut 4,8	1	PC	
15	5.070-099.0	Tank	1	PC	
16	7.316-432.0	Cotter 4x50 -St-A2E ISO 1234	1	PC	
17	5.112-193.0	Bush	1	PC	
18	6.641-474.0	Cable tape 8-210	2	PC	
19	6.388-775.0	Hose 19x4x0,2m	1	PC	
20	6.362-078.0	O-Ring seal 13,3x2,4	2	PC	
21	5.443-365.0	HOSE STEM (HDS555C)	1	PC	
22	5.310-062.0	Nut	1	PC	
23	6.388-719.0	Hose DN17	1	m	TO ORDER AS CUT GOODS
24	6.388-547.0	Hose clip	1	PC	
25	5.310-173.0	Nut R 3/4"	1	PC	
26	5.443-224.0	Hose stem	1	ZST	



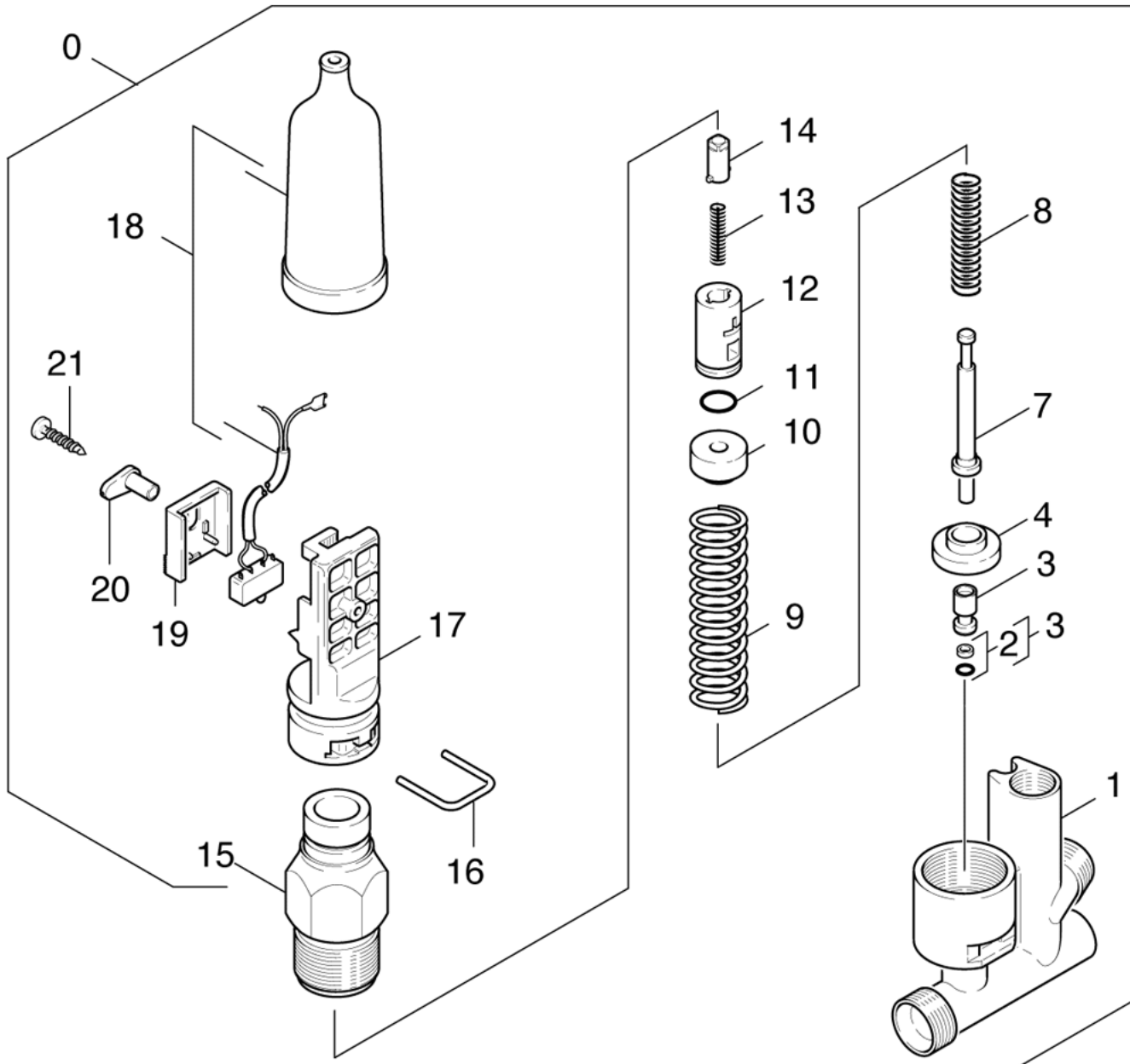
---

POS	Article no.	Description	Quantity	Unit
1	5.063-357.0	Cover	1	PC
2	5.332-001.0	Helical spring	1	PC
3	4.070-123.0	CONTAINER RECEPTACLE	1	PC
4	6.362-113.0	O-Ring seal 6,0 x 2,0 NBR 70	1	PC
5	6.685-845.0	Solenoid valve	1	PC

## 90 Safety system

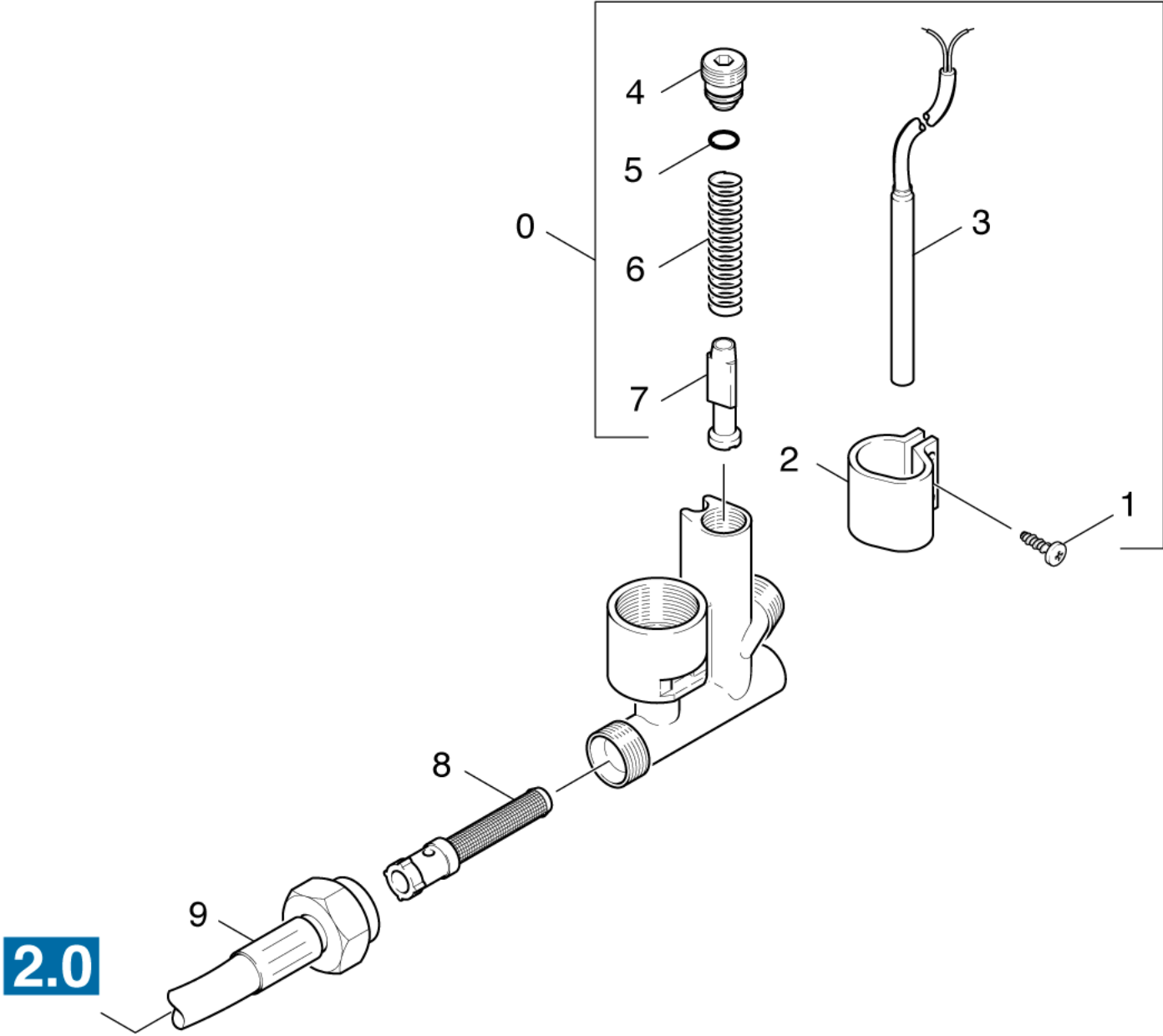
---

<b>POS</b>	<b>Description</b>	<b>Quantity</b>	<b>Unit</b>
91	Pressure switch	1	PC
92	Reed switch	1	PC



## 91 Pressure switch

POS	Article no.	Description	Quantity	Unit
0	4.749-140.0	Safety system	1	PC
1	5.060-478.0	Housing	1	PC
2	6.363-037.0	O-Ring seal complete 1ST.-R.	1	PC
3	4.553-025.0	Piston	1	PC
4	5.115-147.0	Washer	1	PC
7	5.107-192.0	Bar	1	PC
8	5.332-070.0	Helical spring	1	PC
9	5.332-069.0	Helical spring	1	PC
10	5.112-453.0	Bush	1	PC
11	6.362-169.0	O-Ring seal 12,0 X 2,0	1	PC
12	5.553-265.0	Piston	1	PC
13	5.332-293.0	Helical spring	1	PC
14	5.316-278.0	Bolt spring	1	PC
15	5.060-414.0	Housing	1	PC
16	5.037-080.0	Hook	1	PC
17	5.042-618.0	Holder	1	PC
18	7.777-999.0	Stockpiling discontinued	1	PC
19	5.042-728.0	Holder	1	PC
20	5.316-284.0	Bolt	1	PC
21	7.303-117.0	Screw 4x20 -A2-70 (In6Rd)	1	PC



**2.0**



## 92 Reed switch

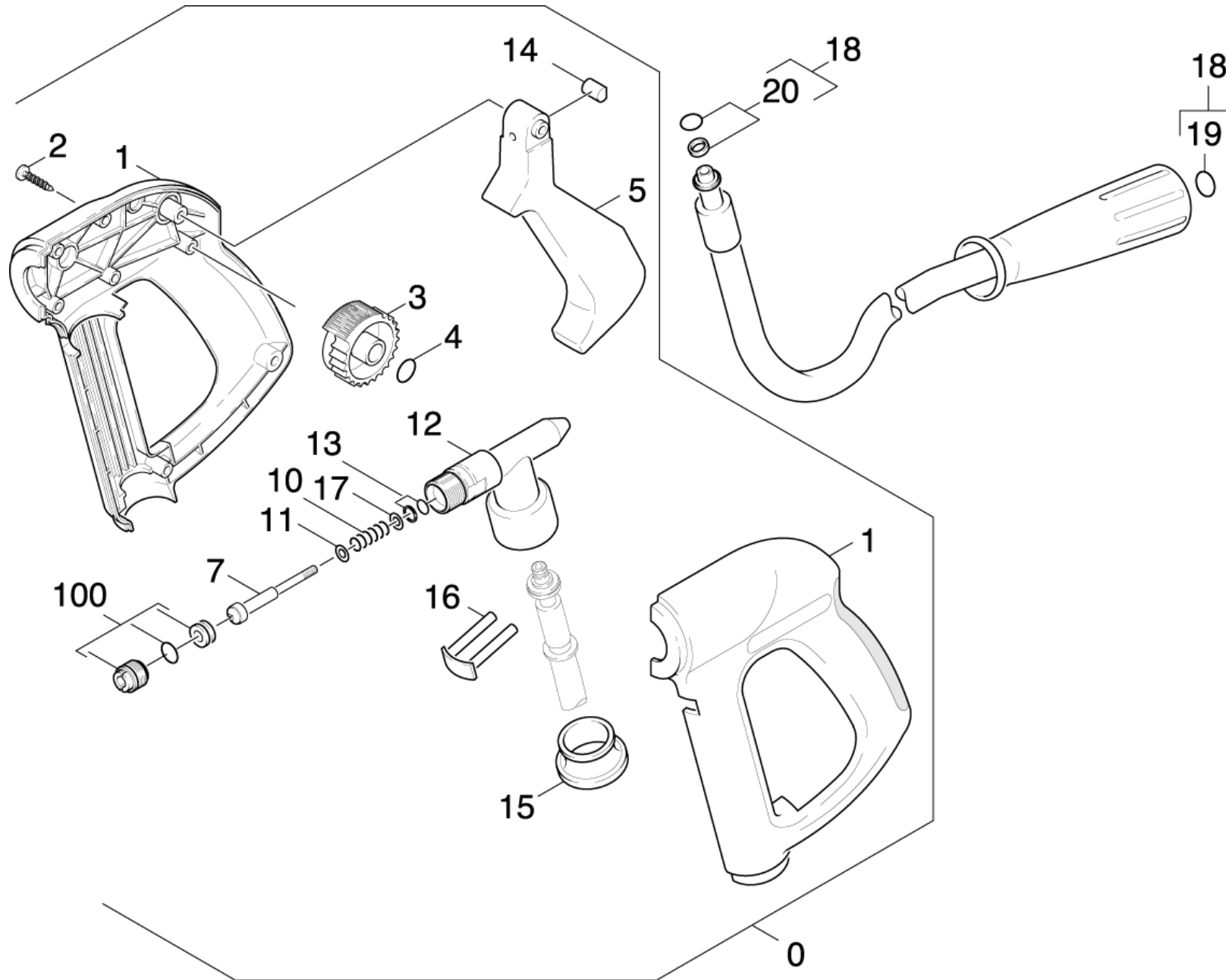
---

<b>POS</b>	<b>Article no.</b>	<b>Description</b>	<b>Quantity</b>	<b>Unit</b>
0	4.749-140.0	Safety system	1	PC
1	6.303-122.0	M4 .2X13 DIN 7981 TORX T15 PAN HD HI/LO	1	PC
2	5.041-076.0	Clamp	1	PC
3	2.883-384.0	Reed switch replacement	1	PC
4	5.305-162.0	Shaped screw	1	PC
5	6.362-482.0	O-Ring seal 10 x 1,5-NBR 70	1	PC
6	5.332-057.0	Helical spring	1	PC
7	4.553-022.0	Piston	1	PC
8	6.414-436.0	Strainer	1	PC
9	6.389-568.0	High pressure hose DN 8	1	PC

## 100 Accessories

---

POS	Description	Quantity	Unit	Remark
101	Hand trigger gun	1	PC	
102	Hand trigger gun	1	PC	
103	Jet pipe	1	PC	VERSION 1
104	Jet pipe	1	PC	VERSION 2



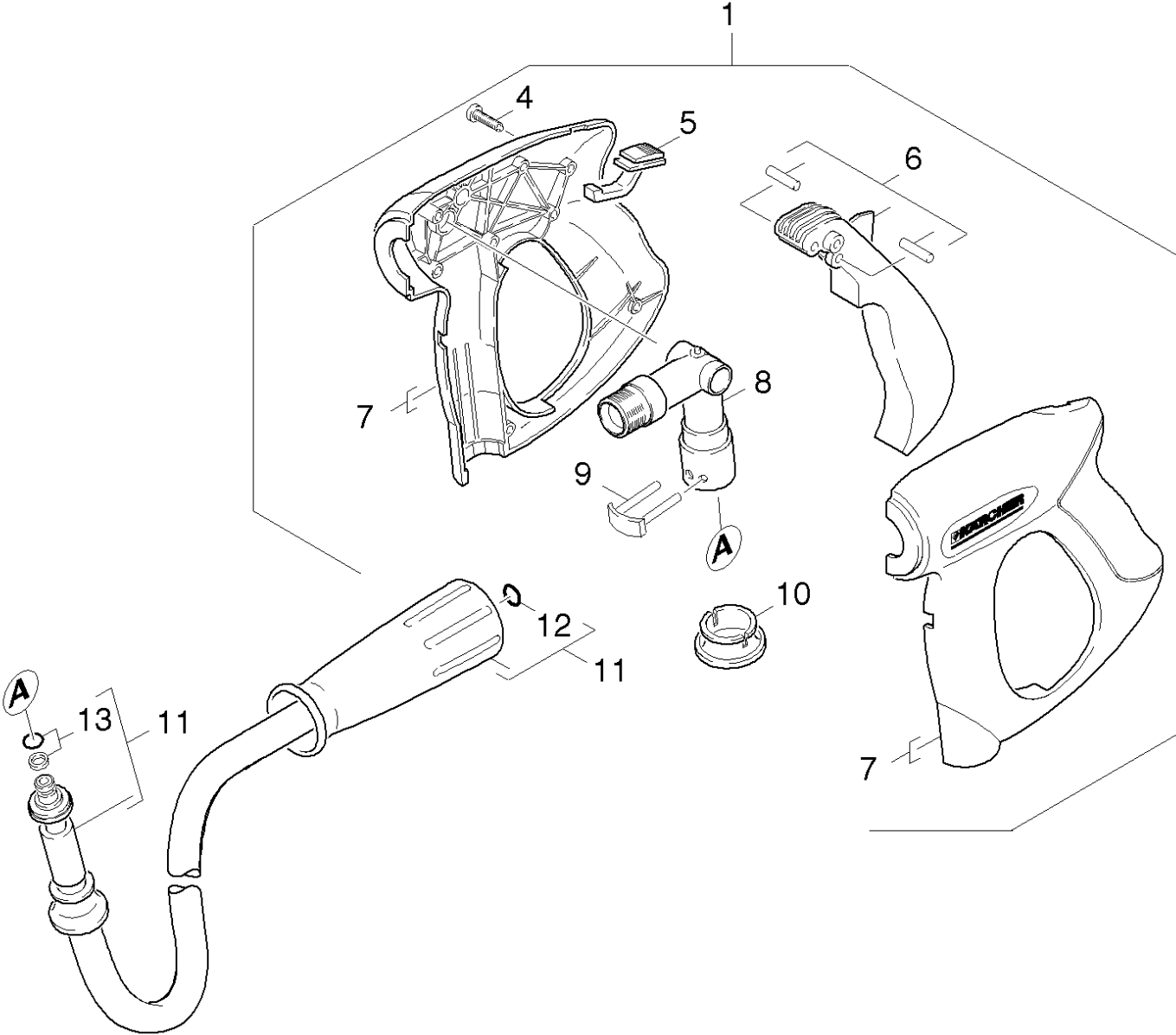
## 101 Hand trigger gun

POS	Article no.	Description	Quantity	Unit
0	7.777-999.0	Stockpiling discontinued	1	PC
1	5.321-494.0	Handhold few	1	PC
2	7.303-096.0	Screw 4x22 -ST-10.9-R2R (IN6RD)	8	PC
3	5.322-011.0	Hand wheel	1	PC
4	6.362-642.0	O-Ring d. 7,65x1,78 -NBR 80	1	PC
5	5.481-178.0	Lever	1	PC
7	5.553-347.0	Piston	1	PC
10	5.332-384.0	Helical spring	1	PC
11	5.115-675.0	Washer	1	PC
12	5.427-210.0	Manifold	1	PC
13	6.362-477.0	O-Ring seal complete 1ST.-R.	1	PC
14	5.316-400.0	Bolt	1	PC
15	5.110-596.0	Sleeve	1	PC
16	4.037-013.0	Hook	1	PC
17	5.115-661.0	Washer	1	PC
18	6.389-853.0	HIGH PRESSURE HOSE DN6 25MPa 10m	1	PC
19	2.880-990.0	Spare part set O-Ring 5x -Kaercher	1	PC
20	6.363-115.0	O-Ring seal complete 1ST.-R.	1	PC
100	2.883-903.0	Spare part set	1	PC

## 100 Spare part set (2.883-903.0)

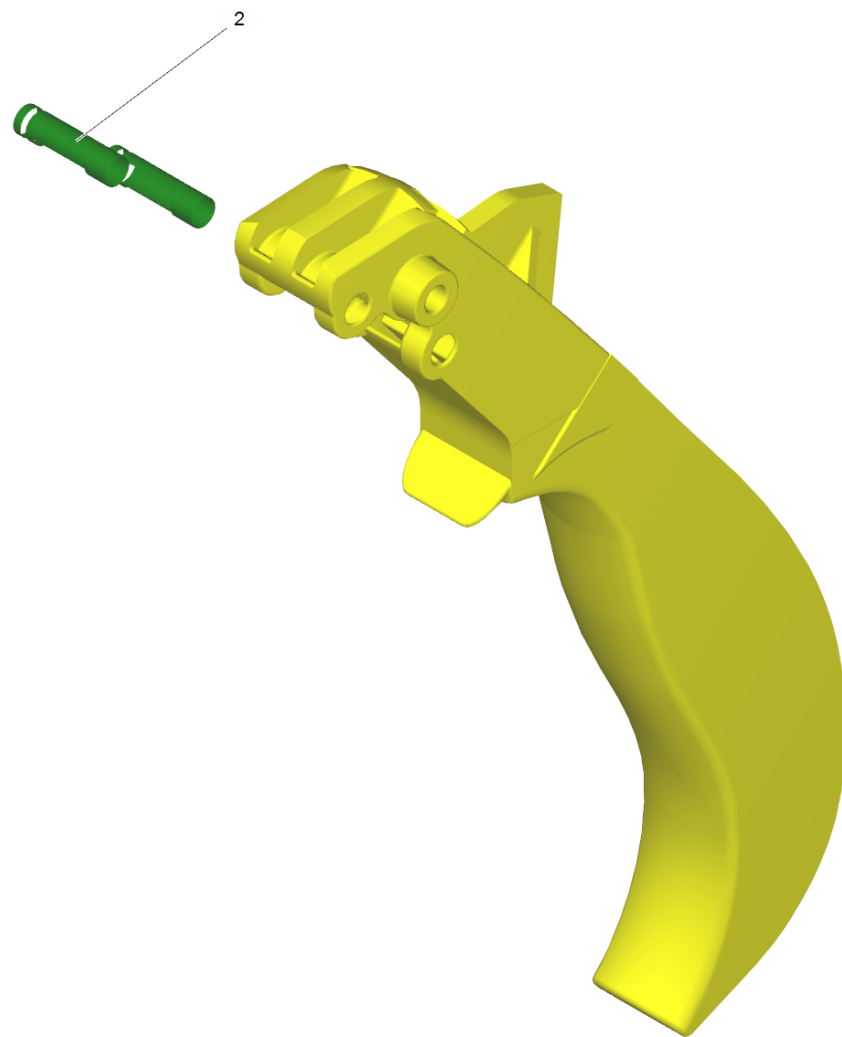
---

<b>POS</b>	<b>Article no.</b>	<b>Description</b>	<b>Quantity</b>	<b>Unit</b>
10	5.404-068.0	Hollow screw	1	PC
20	5.581-211.0	Valve seat	1	PC
30	6.362-642.0	O-Ring d. 7,65x1,78 -NBR 80	1	PC
40	6.590-004.0	Bag PE 80x100 mm	1	PC



## 102 Hand trigger gun

POS	Article no.	Description	Quantity	Unit
1	4.775-557.0	Hand trigger gun nipple 10 n.f.Ersatz	1	PC
4	7.303-096.0	Screw 4x22 -ST-10.9-R2R (IN6RD)	7	PC
5	5.481-331.0	Slider	1	PC
6	4.481-209.0	Lever complete	1	PC
7	5.321-669.3	Handhold few	1	PC
8	4.427-319.0	Manifold complete only for replacement	1	PC
9	4.037-013.0	Hook	1	PC
10	5.110-596.0	Sleeve	1	PC
11	6.389-853.0	HIGH PRESSURE HOSE DN6 25MPa 10m	1	PC
12	2.880-990.0	Spare part set O-Ring 5x -Kaercher	1	PC
13	6.363-115.0	O-Ring seal complete 1ST.-R.	1	PC



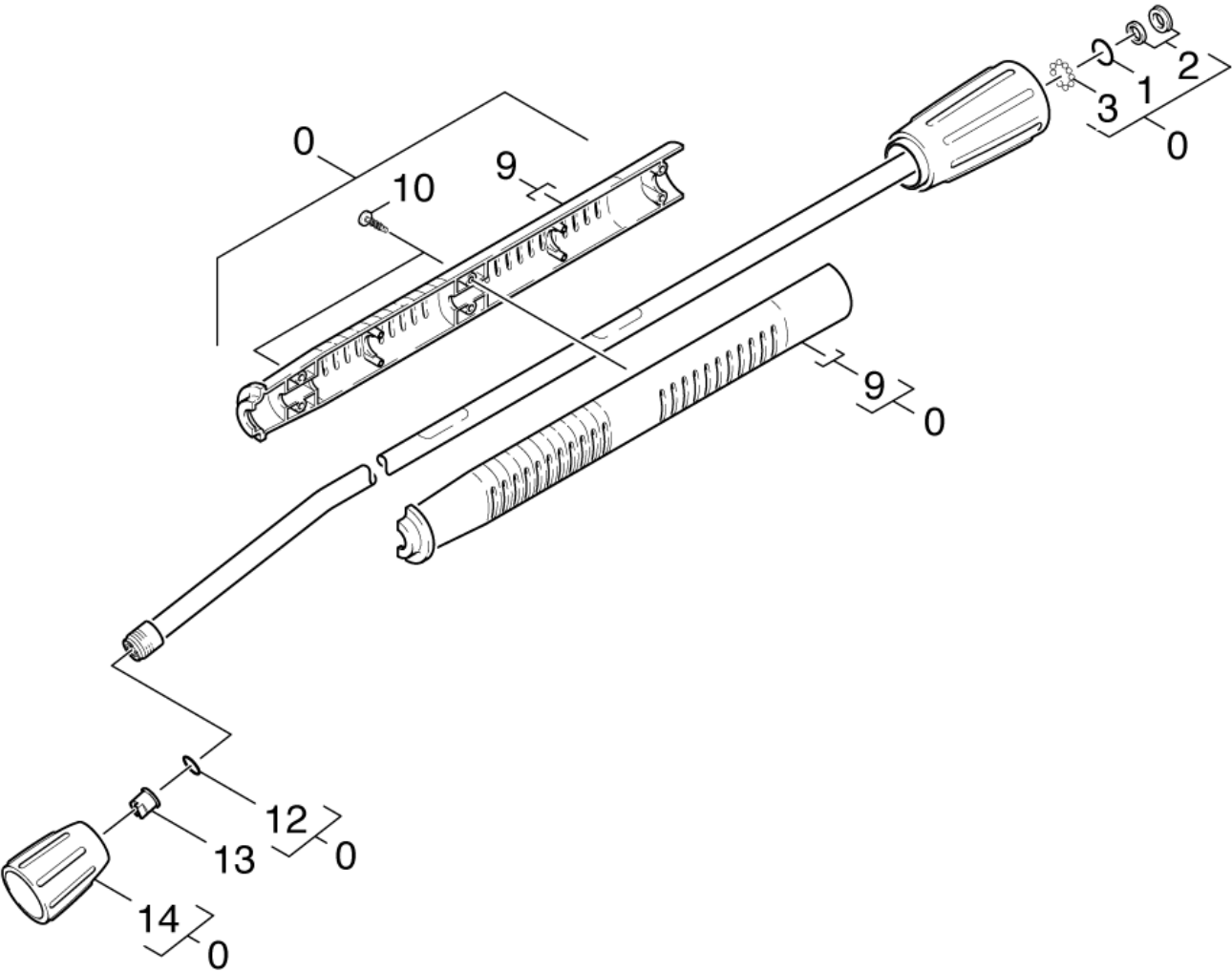


6 Lever complete (4.481-209.0)

---

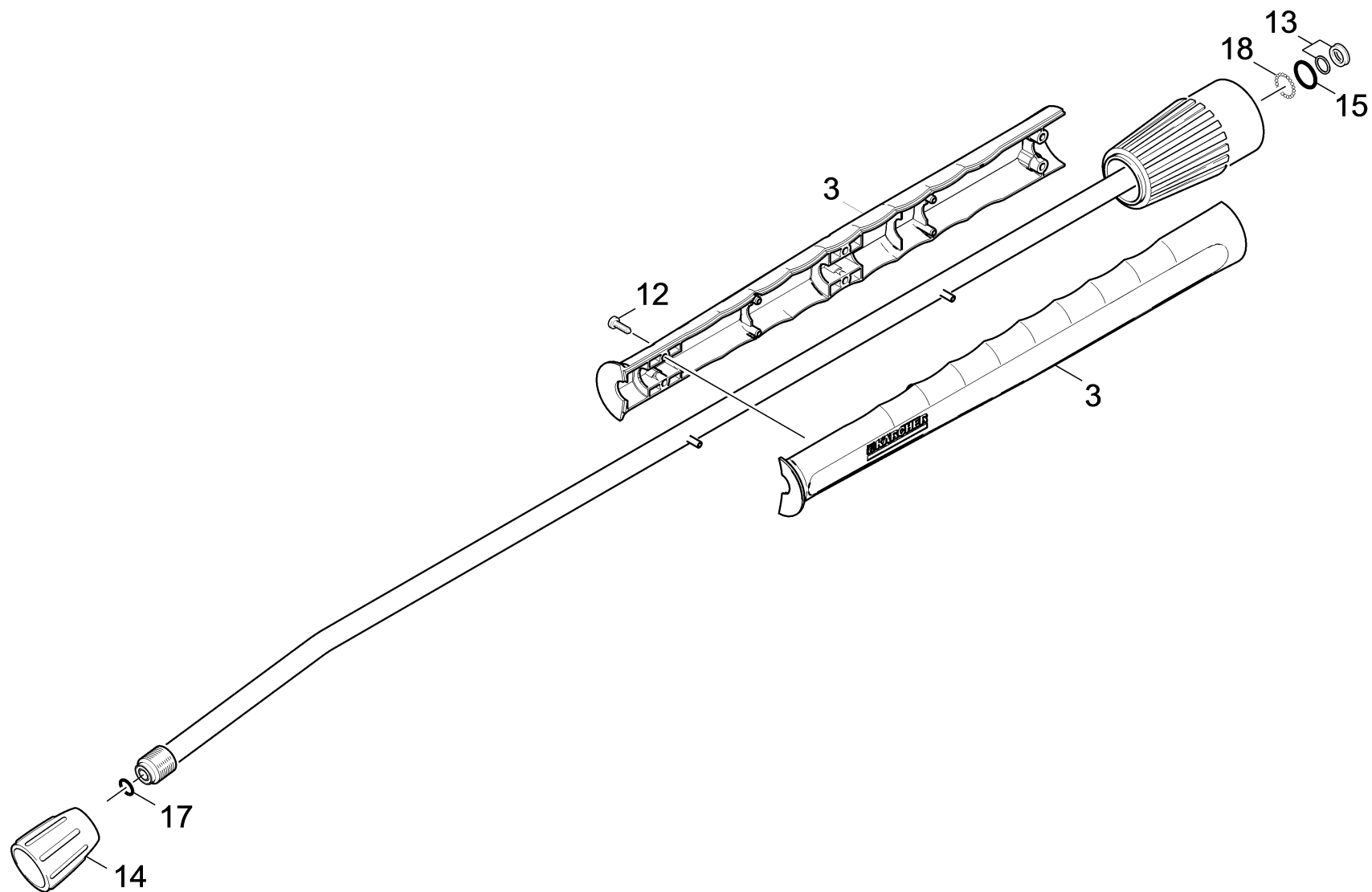
POS	Article no.	Description	Quantity	Unit
2	5.314-119.0	Pin	2	PC

---



## 103 Jet pipe

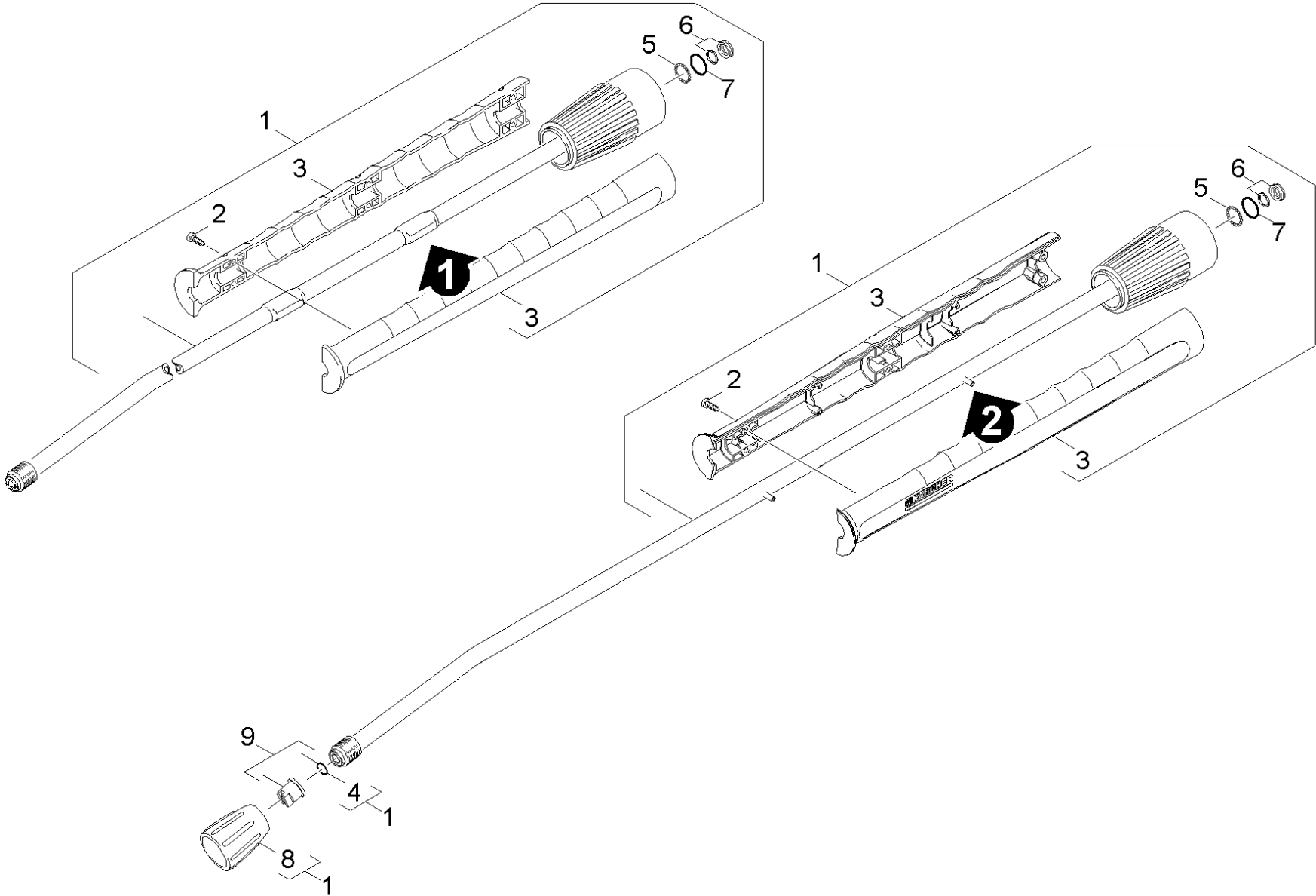
POS	Article no.	Description	Quantity	Unit
0	4.760-660.0	Jet pipe packaged only for replacement	1	PC
1	6.362-524.0	O-Ring seal 17,0 X 1,5	1	PC
2	4.363-692.0	Grooved ring kpl. -nur fuer Ersatz-	1	PC
3	7.401-915.0	Sphere 2,5 G40 -1.4034 DIN 5401	20	PC
9	5.321-691.0	Handhold few jet pipe	1	PC
10	6.303-025.0	Oval head screw 4,2x16-St-vz	6	PC
12	2.880-154.0	O-Ring kit	1	PC
13	2.883-398.0	Power nozzle 25045	1	PC
	<b>Item text1:</b> / 1.873-502.0			
13	2.883-829.0	Power nozzle 25043	1	PC
	<b>Item text1:</b> / 1.873-501.0 / -504.0			
14	5.401-129.0	Screw connector part	1	PC



Jet pipe packaged only for replacement (4.760-660.0)

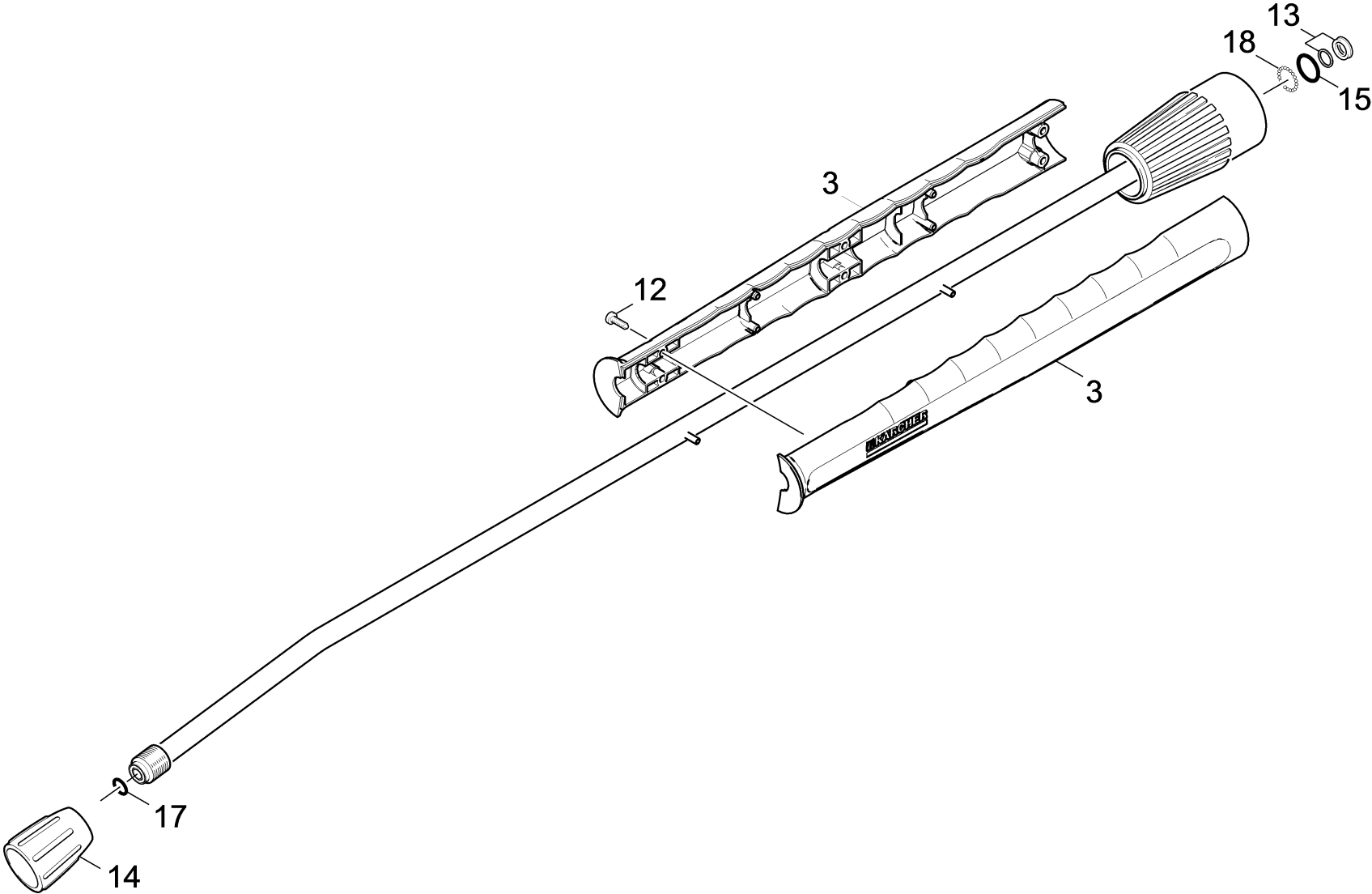
---

POS	Article no.	Description	Quantity	Unit
3	5.321-855.0	Handhold few jet pipe with welding bolt	1	PC
12	7.303-129.0	Screw 4x16 -10.9-R2R (K-In6Rd)	6	PC
13	4.363-692.0	Grooved ring kpl. -nur fuer Ersatz-	1	PC
14	5.401-210.0	Screw connector part	1	PC
15	6.362-524.0	O-Ring seal 17,0 X 1,5	1	PC
17	2.880-990.0	Spare part set O-Ring 5x -Kaercher	1	PC
18	7.401-915.0	Sphere 2,5 G40 -1.4034 DIN 5401	1	PC



## 104 Jet pipe

POS	Article no.	Description	Quantity	Unit	Remark
1	4.760-660.0	Jet pipe packaged only for replacement	1	PC	
2	7.303-129.0	Screw 4x16 -10.9-R2R (K-In6Rd)	6	PC	
3	5.321-691.0	Handhold few jet pipe	1	PC	VERSION 1
3	5.321-855.0	Handhold few jet pipe with welding bolt	1	PC	VERSION 2
4	2.880-990.0	Spare part set O-Ring 5x -Kaercher	1	PC	
5	7.401-915.0	Sphere 2,5 G40 -1.4034 DIN 5401	20	PC	
6	4.363-692.0	Grooved ring kpl. -nur fuer Ersatz-	1	PC	
7	6.362-524.0	O-Ring seal 17,0 X 1,5	1	PC	
8	5.401-129.0	Screw connector part	1	PC	
9	2.883-398.0	Power nozzle 25045	1	PC	
	<b>Item text1:</b> / 1.174-103.0 / -104.0 / -110.0				
9	2.883-829.0	Power nozzle 25043	1	PC	
	<b>Item text1:</b> / 1.174-101.0 / -102.0 / -113.0				





1 Jet pipe packaged only for replacement (4.760-660.0)

---

POS	Article no.	Description	Quantity	Unit
3	5.321-855.0	Handhold few jet pipe with welding bolt	1	PC
12	7.303-129.0	Screw 4x16 -10.9-R2R (K-In6Rd)	6	PC
13	4.363-692.0	Grooved ring kpl. -nur fuer Ersatz-	1	PC
14	5.401-210.0	Screw connector part	1	PC
15	6.362-524.0	O-Ring seal 17,0 X 1,5	1	PC
17	2.880-990.0	Spare part set O-Ring 5x -Kaercher	1	PC
18	7.401-915.0	Sphere 2,5 G40 -1.4034 DIN 5401	1	PC