

Spare parts list (1.637-400.0) K 4.200 *EU

Table of contents

K 4.200 *EU (1.637-400.0)	4
201 Spare parts list K4.200 Compact (5.971-486.0)	5
10 Housing	6
20 Pump set	8
21 Housing	10
8 Conversion kit housing new D=22mm (9.002-011.0)	12
11 Spare parts set cylinder head WCP (9.001-693.0)	13
10 Head end WCM c/guarnizioni Tuico (9.002-552.0)	15
11 Spare parts set cylinder head WCP (9.001-693.0)	17
10 Head end WCM c/guarnizioni Tuico (9.002-552.0)	19
22 Housing	21
4 pressure piston HR (spare) (9.002-028.0)	23
11 Spare parts set cylinder head WCP (9.001-693.0)	25
10 Head end WCM c/guarnizioni Tuico (9.002-552.0)	27
11 Spare parts set cylinder head WCP (9.001-693.0)	29
10 Head end WCM c/guarnizioni Tuico (9.002-552.0)	31
23 Thrust guidance	33
30 Motor	35
7 Covering cap motor complete (9.001-918.0)	37
40 Accessories	39
41 G 180 Q gun (2.642-889.0)	40
42 H 9 Q high pressure hose Quick Connect (2.641-721.0)	42
999 O-Ring seal set (2.640-729.0)	44
43 Jet pipe	45
1 O-Ring seal set (2.640-729.0)	47
43 VP 160 vario power jet (2.644-430.0)	48
9500 O-Ring seal set (2.640-729.0)	50
44 DB 145 rotor nozzle packaged (2.642-728.0)	51
9500 O-Ring seal set (2.640-729.0)	53
45 Surface cleaner	54
1 Single-step jet pipe extension (2.643-240.0)	56
3 O-Ring seal set (2.640-729.0)	58
5 O-Ring seal set (2.640-729.0)	59
7 Spare parts nozzles T-Racer (2.643-338.0)	60
50 Electric box	63
Electric box complete (9.001-879.0)	65
Electric box complete (9.001-907.0)	67
Electric box complete (9.001-910.0)	69

Table of contents

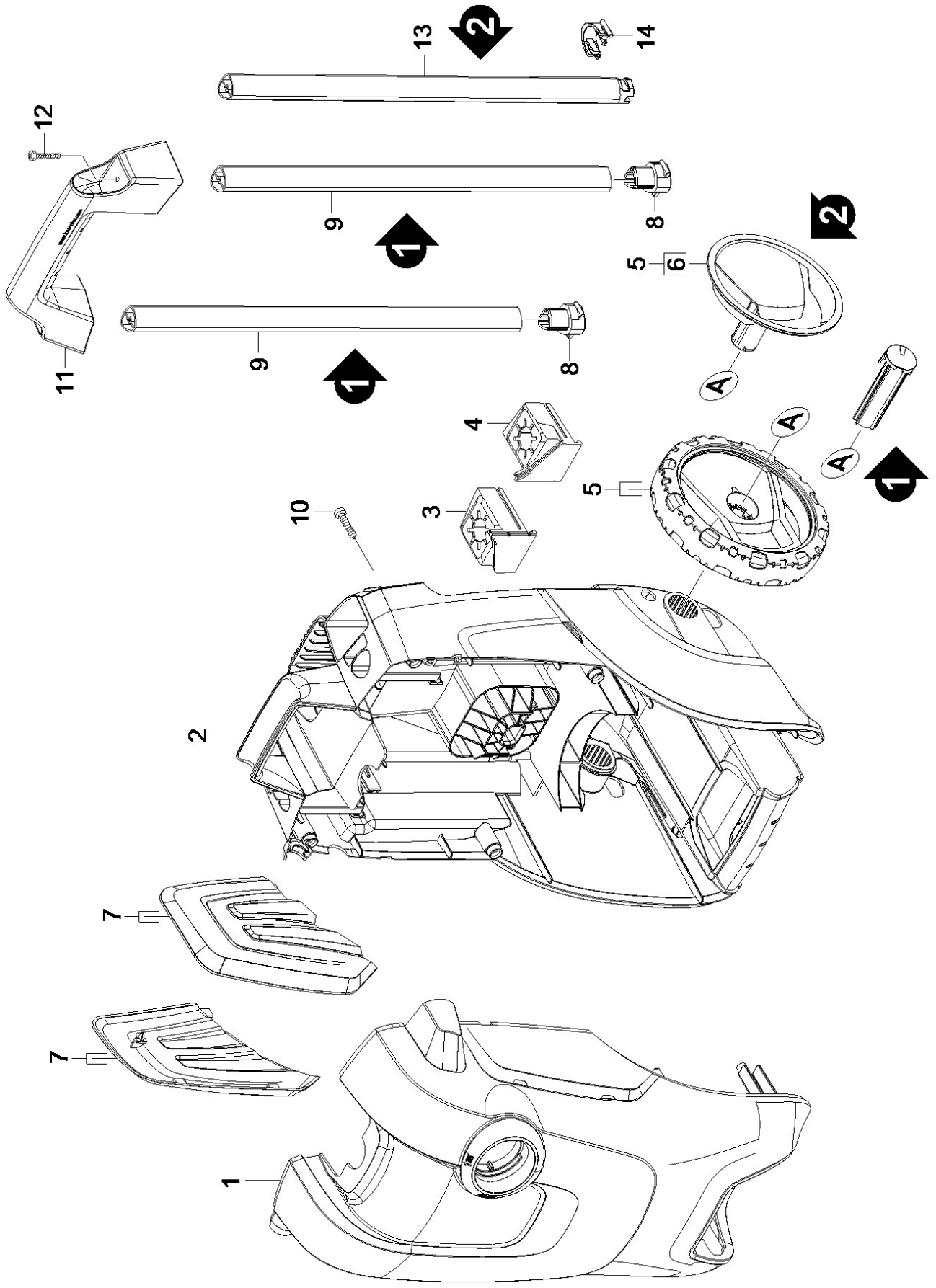
Electric box complete (9.001-939.0)	71
-------------------------------------	----

K 4.200 *EU (1.637-400.0)

POS	Article no.	Description	Quantity	Unit
201	5.971-486.0	Spare parts list K4.200 Compact	1	PC

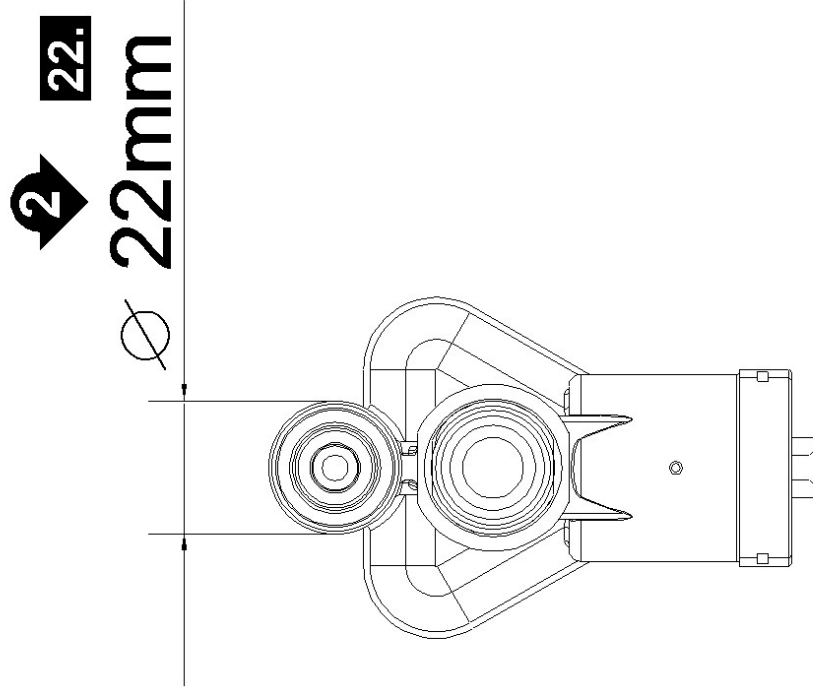
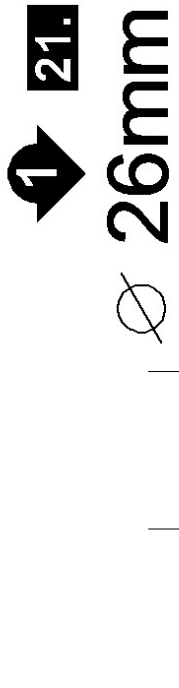
201 Spare parts list K4.200 Compact (5.971-486.0)

POS	Description	Quantity	Unit
10	Housing	1	PC
20	Pump set	1	PC
30	Motor	1	PC
40	Accessories	1	PC
50	Electric box	1	PC



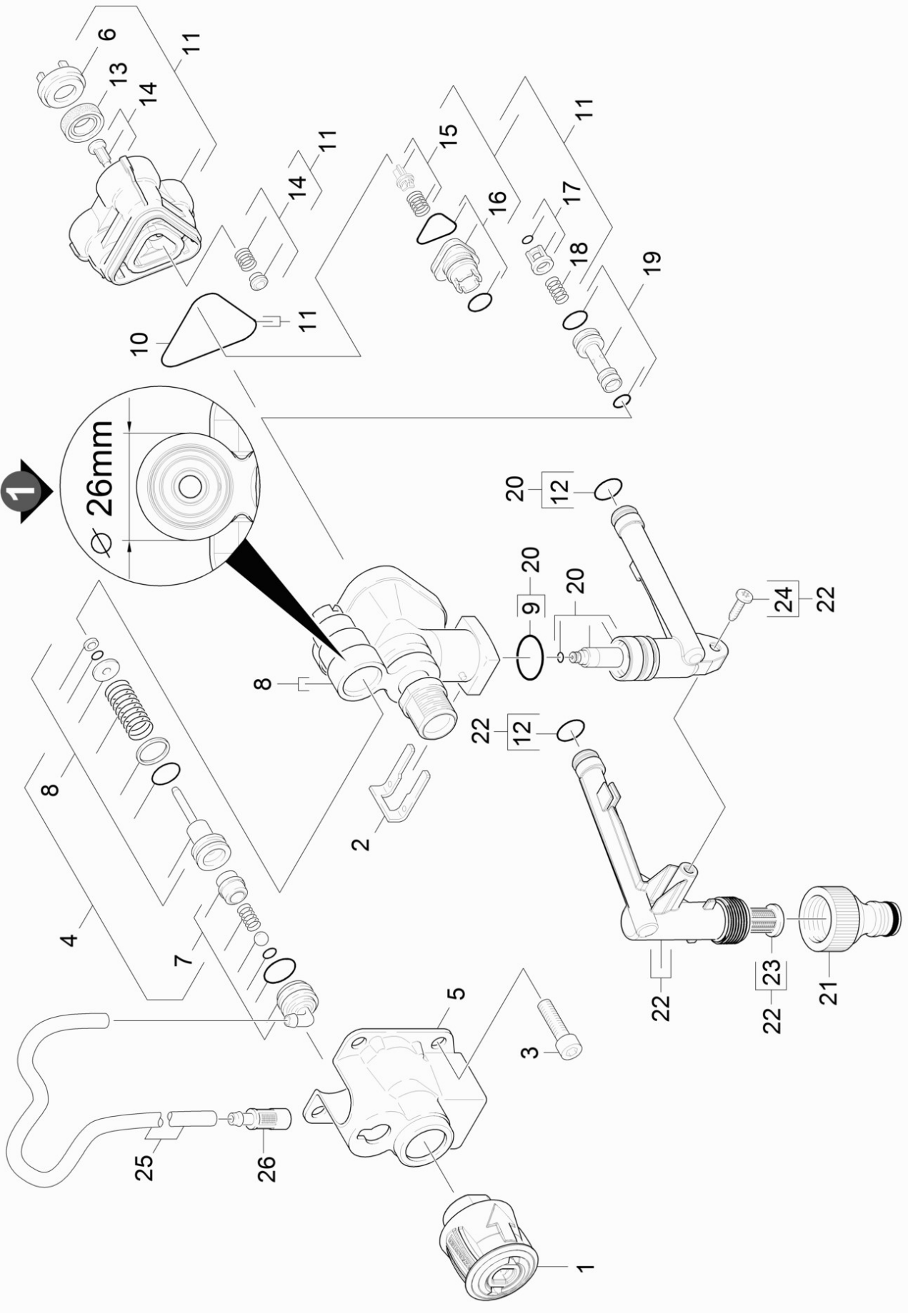
10 Housing

POS	Article no.	Description	Quantity	Unit	Foot note text
5	5.515-397.3	Wheel only for replacement	2	PC	
6	7.777-999.0	Stockpiling discontinued	1	PC	SET OF 2 PIECES
9	7.777-999.0	Stockpiling discontinued	2	PC	ORDERING ACCORDING TO CONSUMPTION VERSION2
7	9.001-901.0	Set covers complete	1	PC	
1	9.001-902.0	Housing	1	PC	
13	9.013-176.0	Rod hand grip complete	2	PC	
2	9.038-051.0	Back housing Compact	1	PC	
11	9.038-067.0	Compact plastic handle	1	PC	
8	9.038-104.0	Cap for handhold	2	PC	
4	9.038-148.0	Gummy starlock left Compact	1	PC	
3	9.038-149.0	Gummy starlock Right Compact	1	PC	
14	9.038-300.0	New handle fixation Compact	2	PC	
12	9.086-203.0	Screw 4x22	2	PC	
10	9.086-221.0	Screw ATF 4.1x22	6	PC	
	Item text1: 1.637-401.0/-402.0/-403.0				
10	9.086-221.0	Screw ATF 4.1x22	6	PC	
	Item text1: 1.637-400.0/-404.0				



20 Pump set

POS	Description	Quantity	Unit	Foot note text
21	Housing	1	PC	VERSION 1
22	Housing	1	PC	VERSION 2
23	Thrust guidance	1	PC	

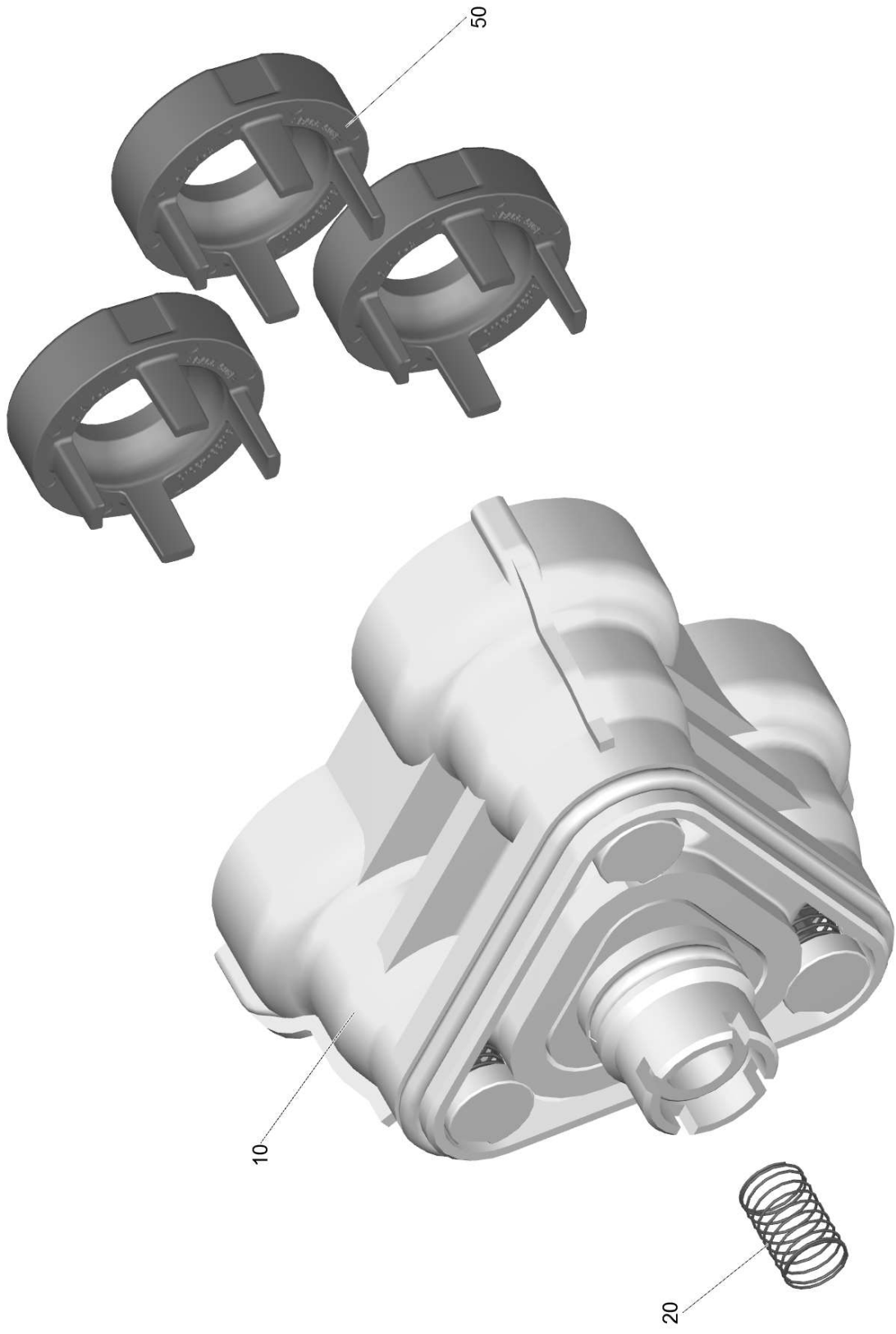


21 Housing

POS	Article no.	Description	Quantity	Unit	Foot note text
1	4.470-041.0	High pressure quick-fitting pipe union A	1	PC	
23	5.731-598.0	Fine filter long	1	PC	
26	5.731-652.0	Filter with weight	1	PC	
13	6.362-875.0	Grooved ring	3	PC	
25	6.388-216.0	Hose DN 5 (PVC)	1	m	TO ORDER AS CUT GOODS
21	6.465-031.0	Connection cpl. 3/4	1	PC	
16	9.001-106.0	Joining piece	1	PC	
17	9.001-107.0	Cage complete	1	PC	
19	9.001-108.0	Injector complete	1	PC	
14	9.001-110.0	Moulded part complete	1	PC	SET CONSISTS OF 3X MACHINED PART COMPL.
15	9.001-149.0	Spare parts set valve	1	PC	SET CONSITSTS OF 3X VALVE
11	9.001-693.0	Spare parts set cylinder head WCP	1	PC	
	Item text1: 1.637-400.0/-404.0				
11	9.001-693.0	Spare parts set cylinder head WCP	1	PC	
	Item text1: 1.637-401.0/-402.0/-403.0				
7	9.001-741.0	Aspiration cleaning agents for replaceme	1	PC	
22	9.001-885.0	Connection	1	PC	
20	9.001-888.0	Connection K3/K4	1	PC	
4	9.001-928.0	Pressure piston + detergent fittin wcm	1	PC	
8	9.002-011.0	Conversion kit housing new D=22mm	1	PC	
6	9.038-428.3	Slip ring carrier c/imballo	1	PC	
	Item text1: 1.637-401.0/-402.0/-403.0				
6	9.038-428.3	Slip ring carrier c/imballo	3	PC	
	Item text1: 1.637-400.0/-404.0				
2	9.039-148.0	Metal fork	1	PC	
5	9.039-511.0	HR MANIFOLD flange	1	PC	
18	9.047-026.0	Spring	1	PC	
9	9.080-001.0	O-Ring 16x2,7 EPDM 50 Shore	1	PC	
12	9.080-455.0	Seal 10x2,8	2	PC	
10	9.081-422.0	Form seal	1	PC	
3	9.086-200.0	Screw M 8x55 Class 8.8	4	PC	
24	9.086-221.0	Screw ATF 4.1x22	1	PC	

8 Conversion kit housing new D=22mm (9.002-011.0)

POS	Article no.	Description	Quantity	Unit
65	9.048-147.0	Rubber ring for E-BOX cover	1	PC

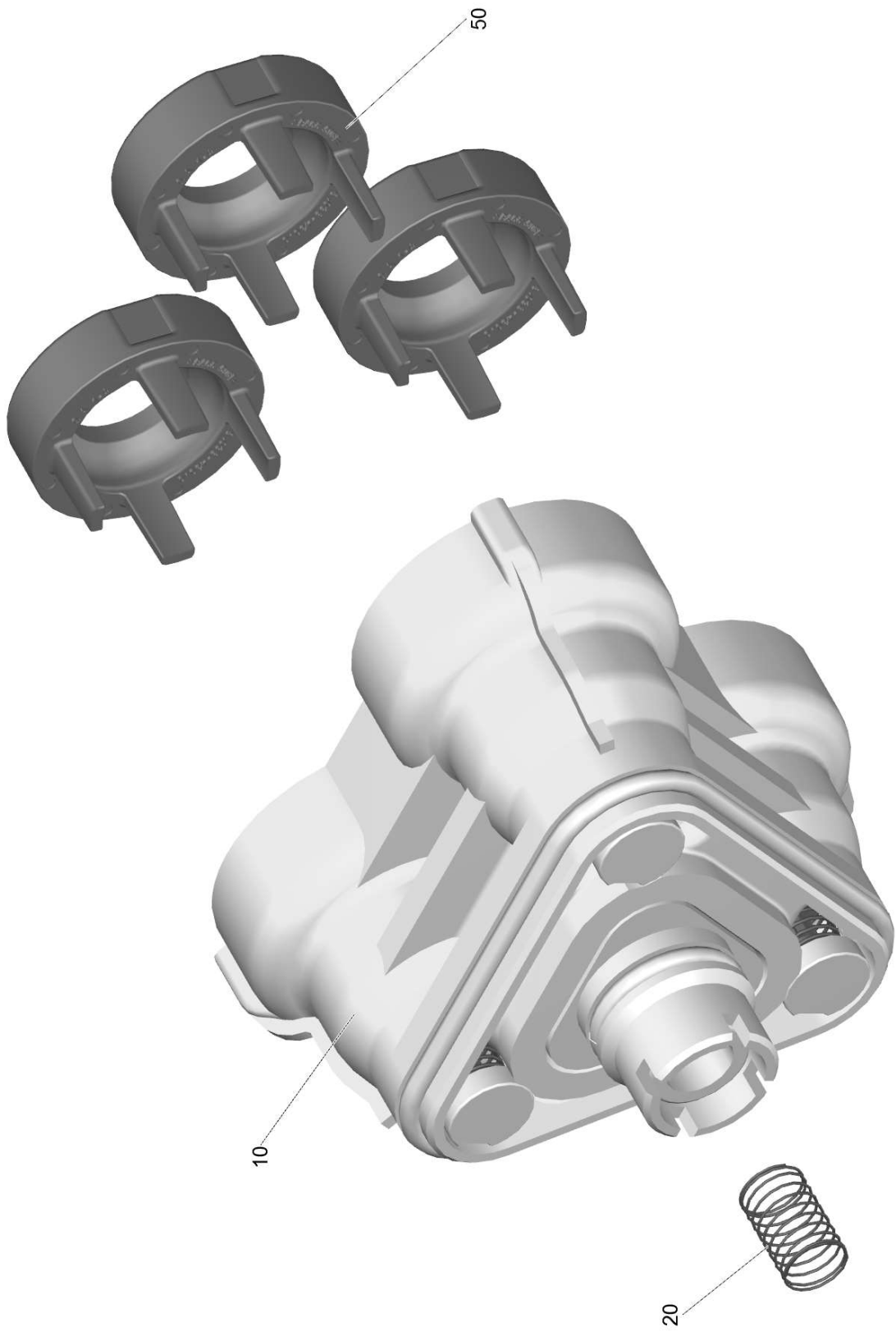


1.1 Spare parts set cylinder head WCP (9.001-693.0)

POS	Article no.	Description	Quantity	Unit
10	9.002-552.0	Head end WCM c/guarnizioni Tuico	1	PC
50	9.038-428.0	Supportring 6,7 mm	3	PC
	Item text1: replaced by 9.038-428.3			
50	9.038-428.3	Slip ring carrier c/imballo	3	PC
20	9.047-026.0	Spring	3	PC

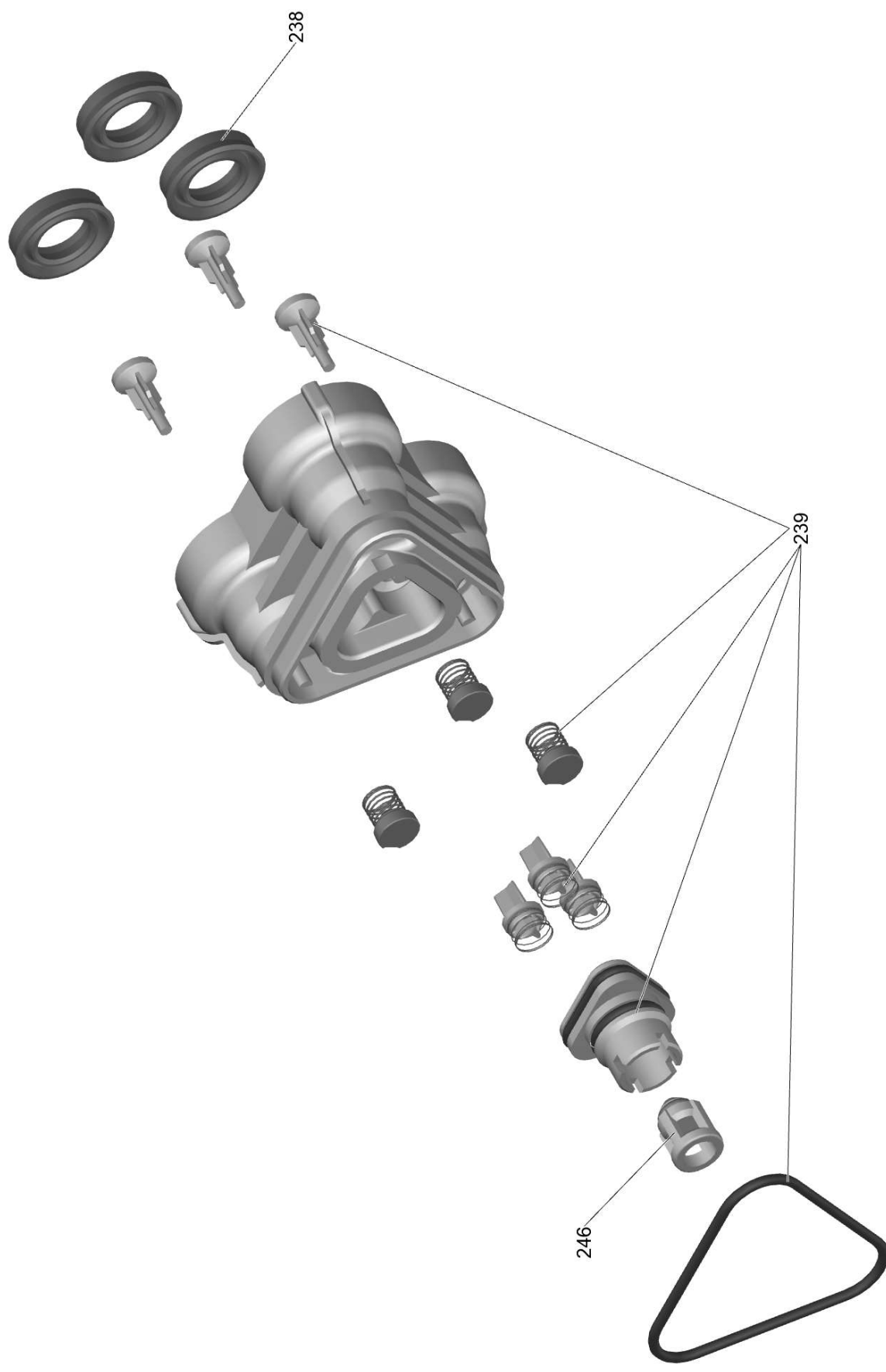
10 Head end WCM c/guarnizioni Tuico (9.002-552.0)

POS	Article no.	Description	Quantity	Unit
239	4.100-830.0	Spare parts set valves	1	PC
238	4.100-832.0	Spare parts set seals	3	PC
246	9.001-107.0	Cage complete	1	PC



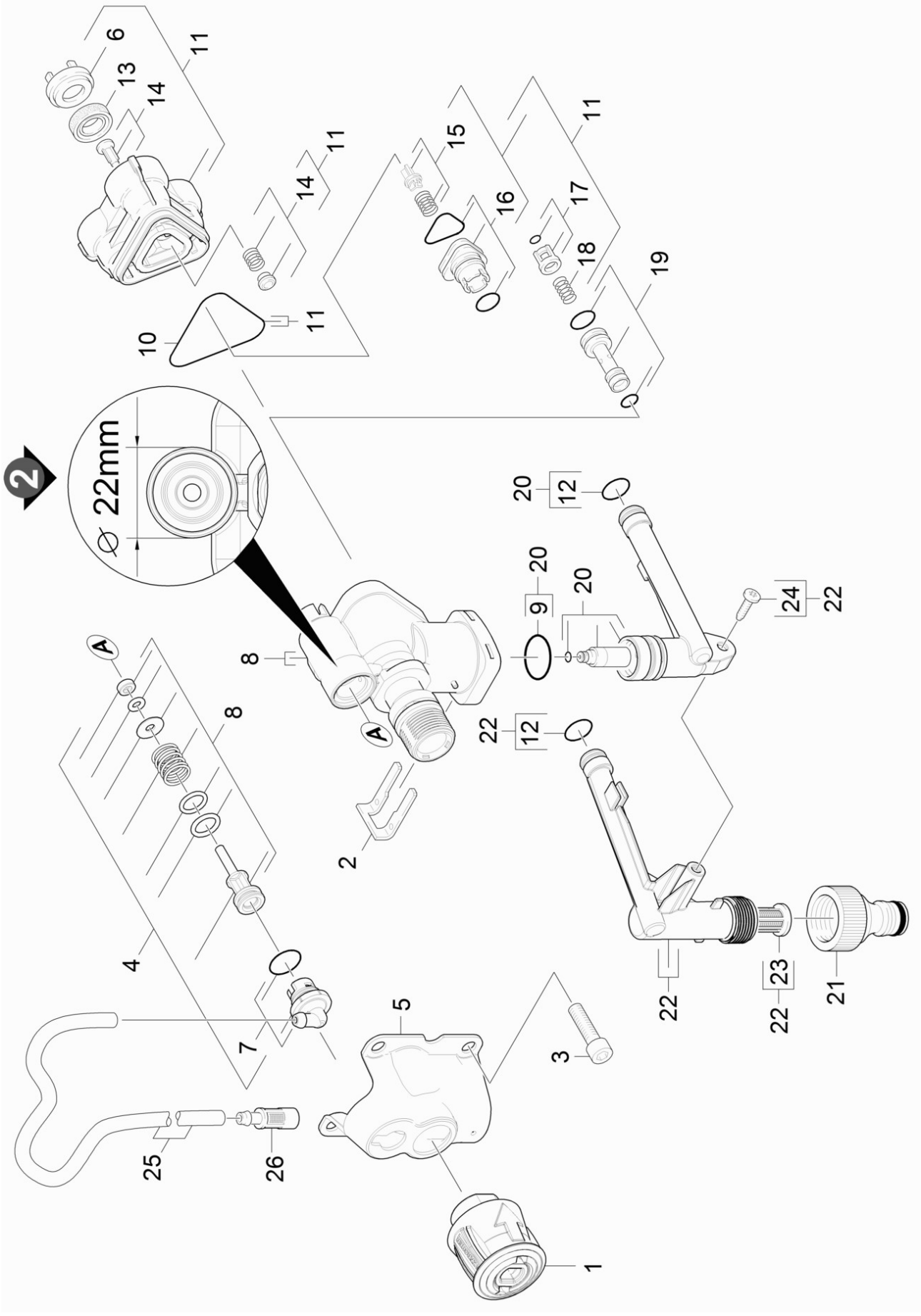
1.1 Spare parts set cylinder head WCP (9.001-693.0)

POS	Article no.	Description	Quantity	Unit
10	9.002-552.0	Head end WCM c/guarnizioni Tuico	1	PC
50	9.038-428.0	Supportring 6,7 mm	3	PC
	Item text1: replaced by 9.038-428.3			
50	9.038-428.3	Slip ring carrier c/imballo	3	PC
20	9.047-026.0	Spring	3	PC



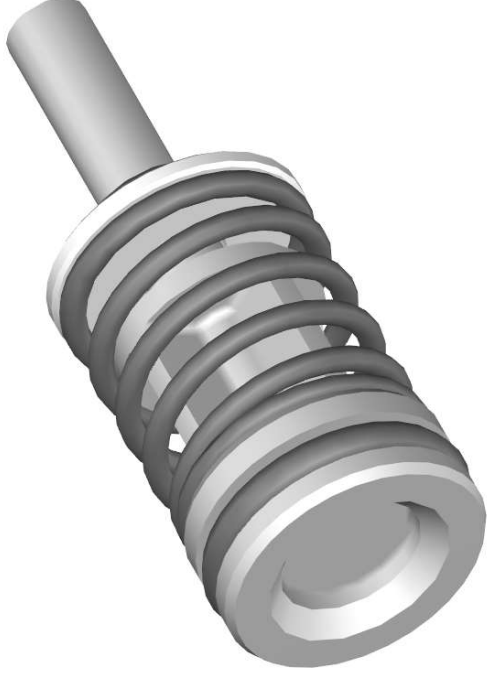
10 Head end WCM c/guarnizioni Tuico (9.002-552.0)

POS	Article no.	Description	Quantity	Unit
239	4.100-830.0	Spare parts set valves	1	PC
238	4.100-832.0	Spare parts set seals	3	PC
246	9.001-107.0	Cage complete	1	PC

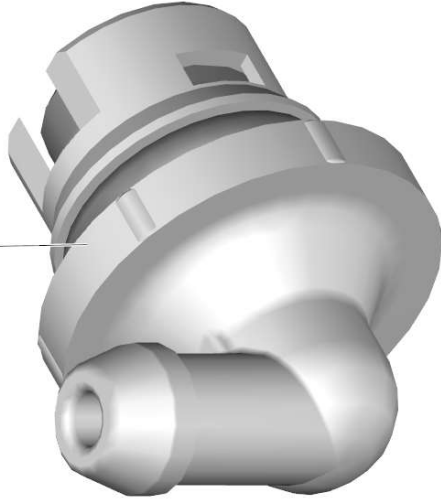


22 Housing

POS	Article no.	Description	Quantity	Unit	Foot note text
1	4.470-041.0	High pressure quick-fitting pipe union A	1	PC	
23	5.731-598.0	Fine filter long	1	PC	
26	5.731-652.0	Filter with weight	1	PC	
13	6.362-875.0	Grooved ring	3	PC	
25	6.388-216.0	Hose DN 5 (PVC)	1	m	TO ORDER AS CUT GOODS
21	6.465-031.0	Connection cpl. 3/4	1	PC	
16	9.001-106.0	Joining piece	1	PC	
17	9.001-107.0	Cage complete	1	PC	
14	9.001-110.0	Moulded part complete	1	PC	SET CONSISTS OF 3X MACHINED PART COMPL.
15	9.001-149.0	Spare parts set valve	1	PC	SET CONSISTS OF 3X VALVE
11	9.001-693.0	Spare parts set cylinder head WCP	1	PC	
	Item text1: 1.637-400.0/-404.0				
11	9.001-693.0	Spare parts set cylinder head WCP	1	PC	
	Item text1: 1.637-401.0/-402.0/-403.0				
22	9.001-885.0	Connection	1	PC	
20	9.001-888.0	Connection K3/K4	1	PC	
19	9.002-017.0	Venturi nozzle D.1,45	1	PC	
7	9.002-027.0	Rad. 90° control housing HR (ric)	1	PC	
4	9.002-028.0	pressure piston HR (spare)	1	PC	
8	9.002-029.0	manifold HR + pressure piston	1	PC	
6	9.038-428.3	Slip ring carrier c/imballo	1	PC	
	Item text1: 1.637-401.0/-402.0/-403.0				
6	9.038-428.3	Slip ring carrier c/imballo	3	PC	
	Item text1: 1.637-400.0/-404.0				
2	9.039-148.0	Metal fork	1	PC	
5	9.039-511.0	HR MANIFOLD flange	1	PC	
18	9.047-026.0	Spring	1	PC	
9	9.080-001.0	O-Ring 16x2,7 EPDM 50 Shore	1	PC	
12	9.080-455.0	Seal 10x2,8	2	PC	
10	9.081-422.0	Form seal	1	PC	
3	9.086-200.0	Screw M 8x55 Class 8.8	4	PC	
24	9.086-221.0	Screw ATF 4.1x22	1	PC	

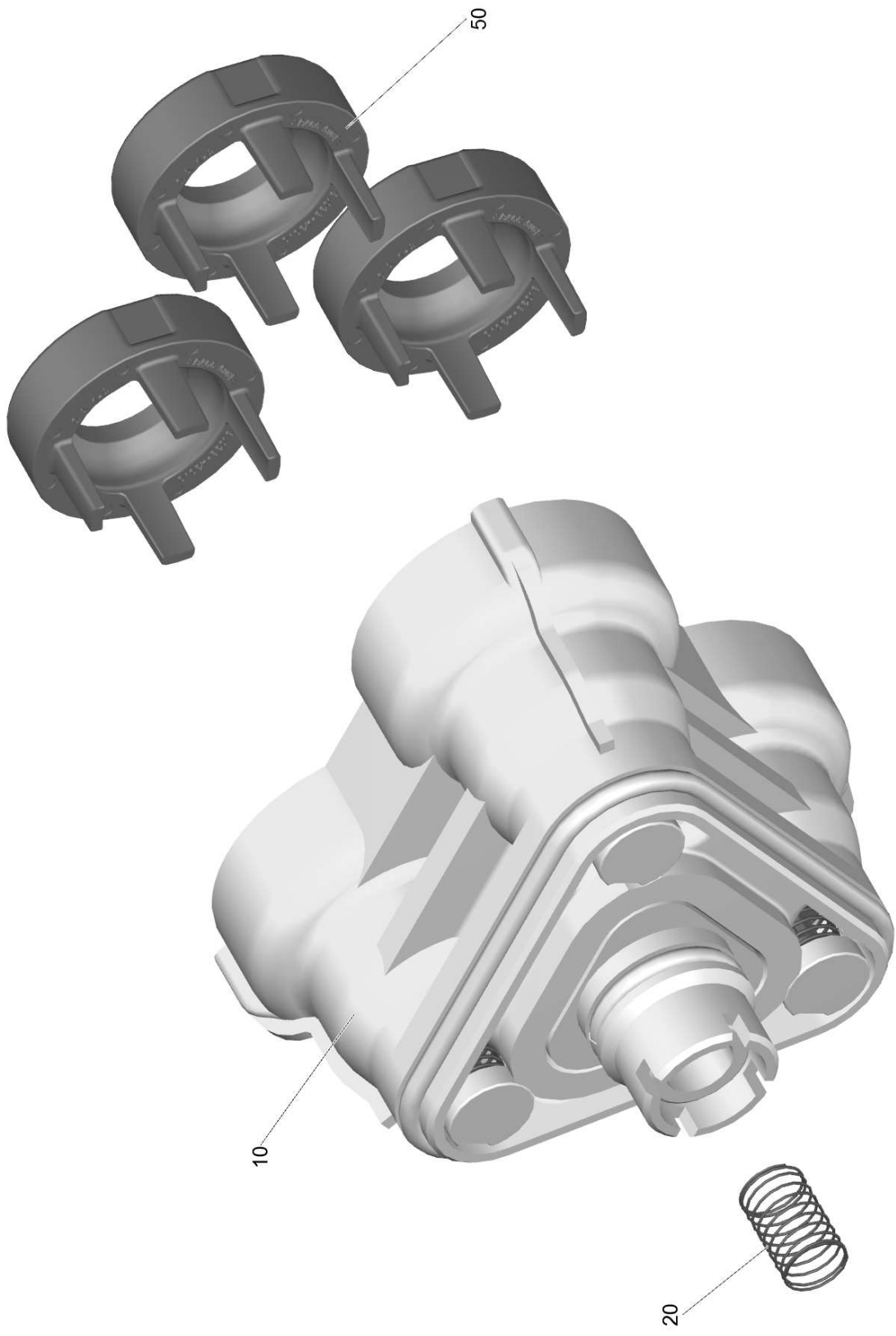


60



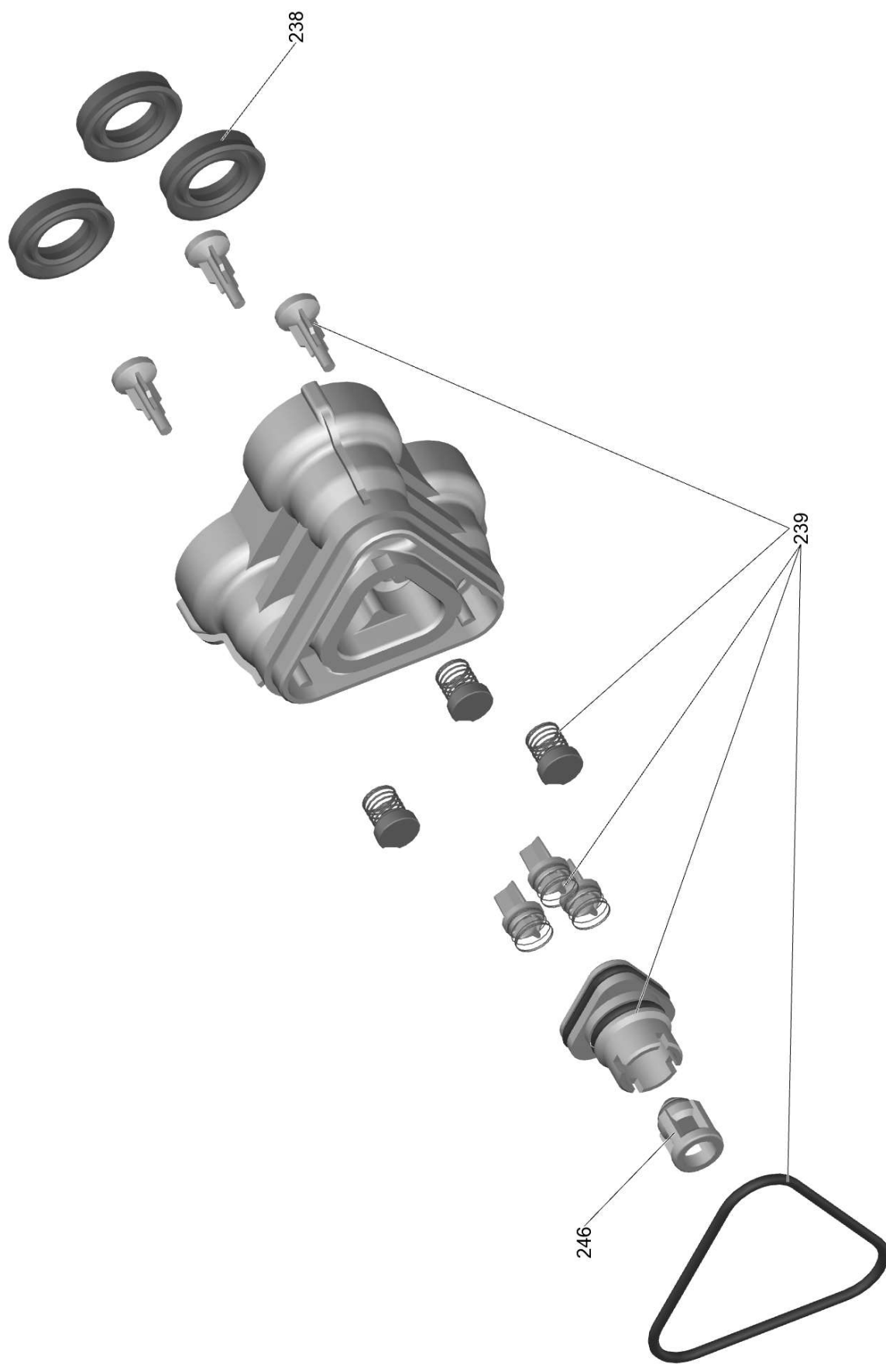
4 pressure piston HR (spare) (9.002-028.0)

POS	Article no.	Description	Quantity	Unit
60	9.002-027.0	Rad. 90° control housing HR (ric)	1	PC



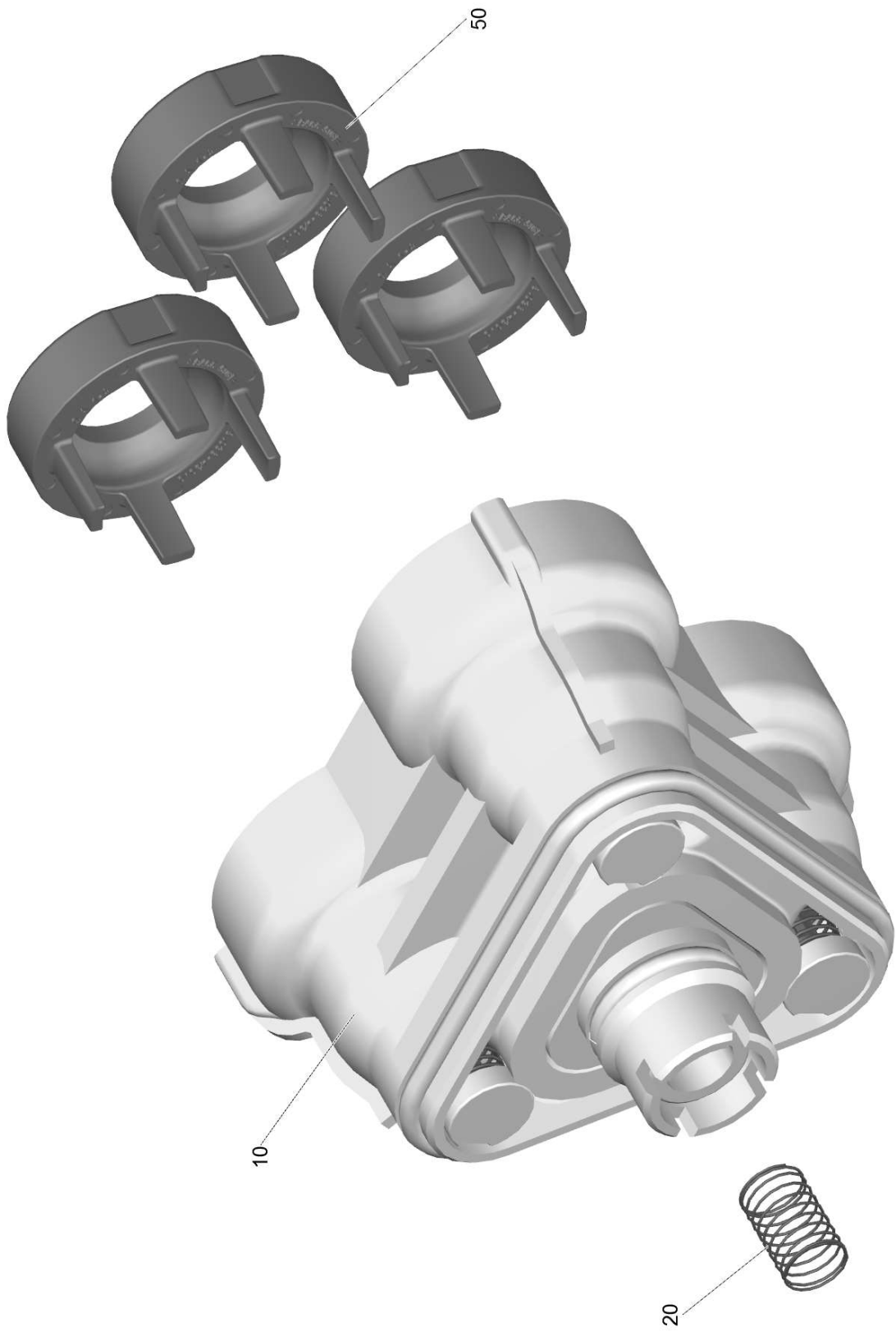
1.1 Spare parts set cylinder head WCP (9.001-693.0)

POS	Article no.	Description	Quantity	Unit
10	9.002-552.0	Head end WCM c/guarnizioni Tuico	1	PC
50	9.038-428.0	Supportring 6,7 mm	3	PC
	Item text1: replaced by 9.038-428.3			
50	9.038-428.3	Slip ring carrier c/imballo	3	PC
20	9.047-026.0	Spring	3	PC



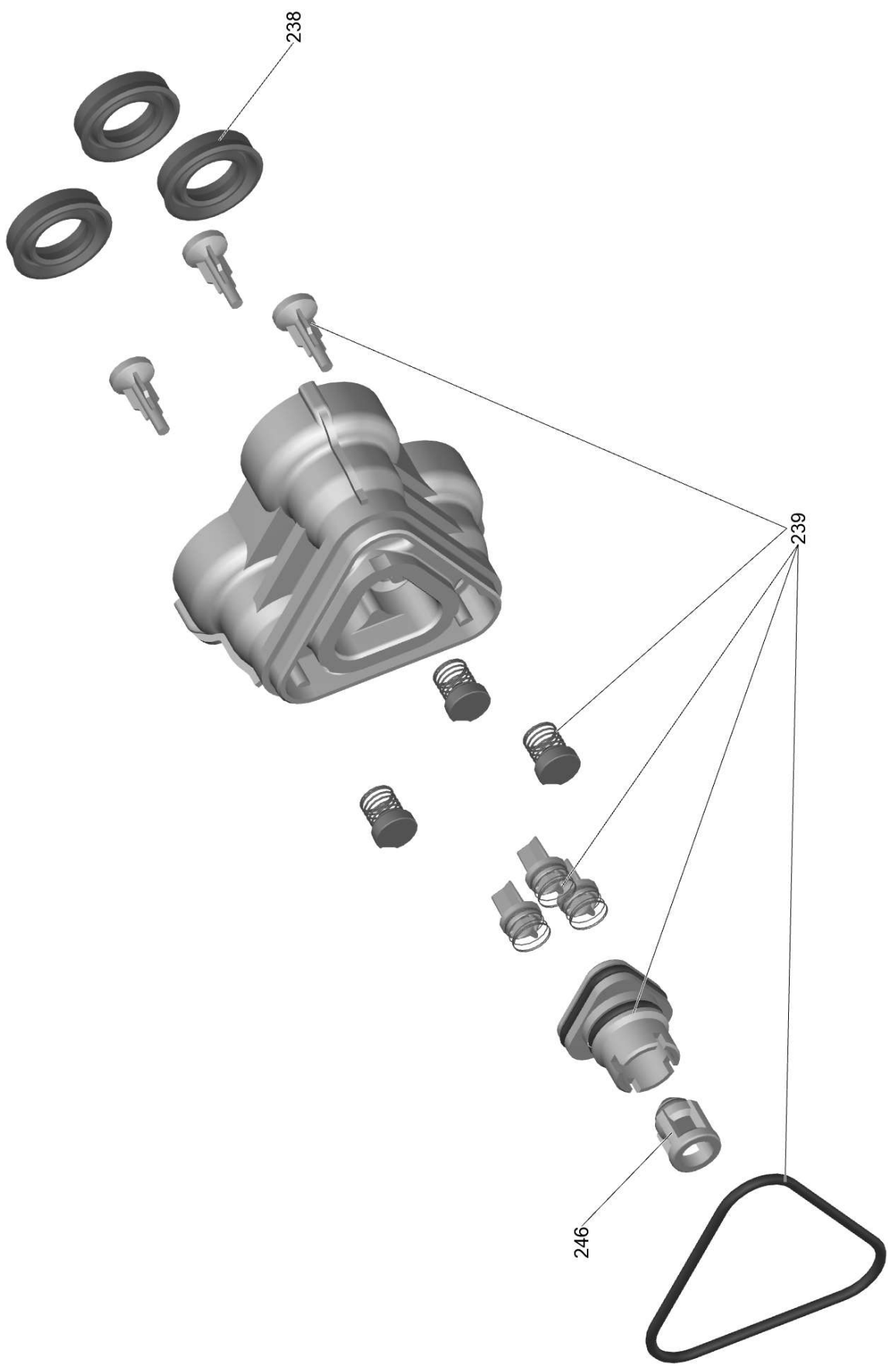
10 Head end WCM c/guarnizioni Tuico (9.002-552.0)

POS	Article no.	Description	Quantity	Unit
239	4.100-830.0	Spare parts set valves	1	PC
238	4.100-832.0	Spare parts set seals	3	PC
246	9.001-107.0	Cage complete	1	PC



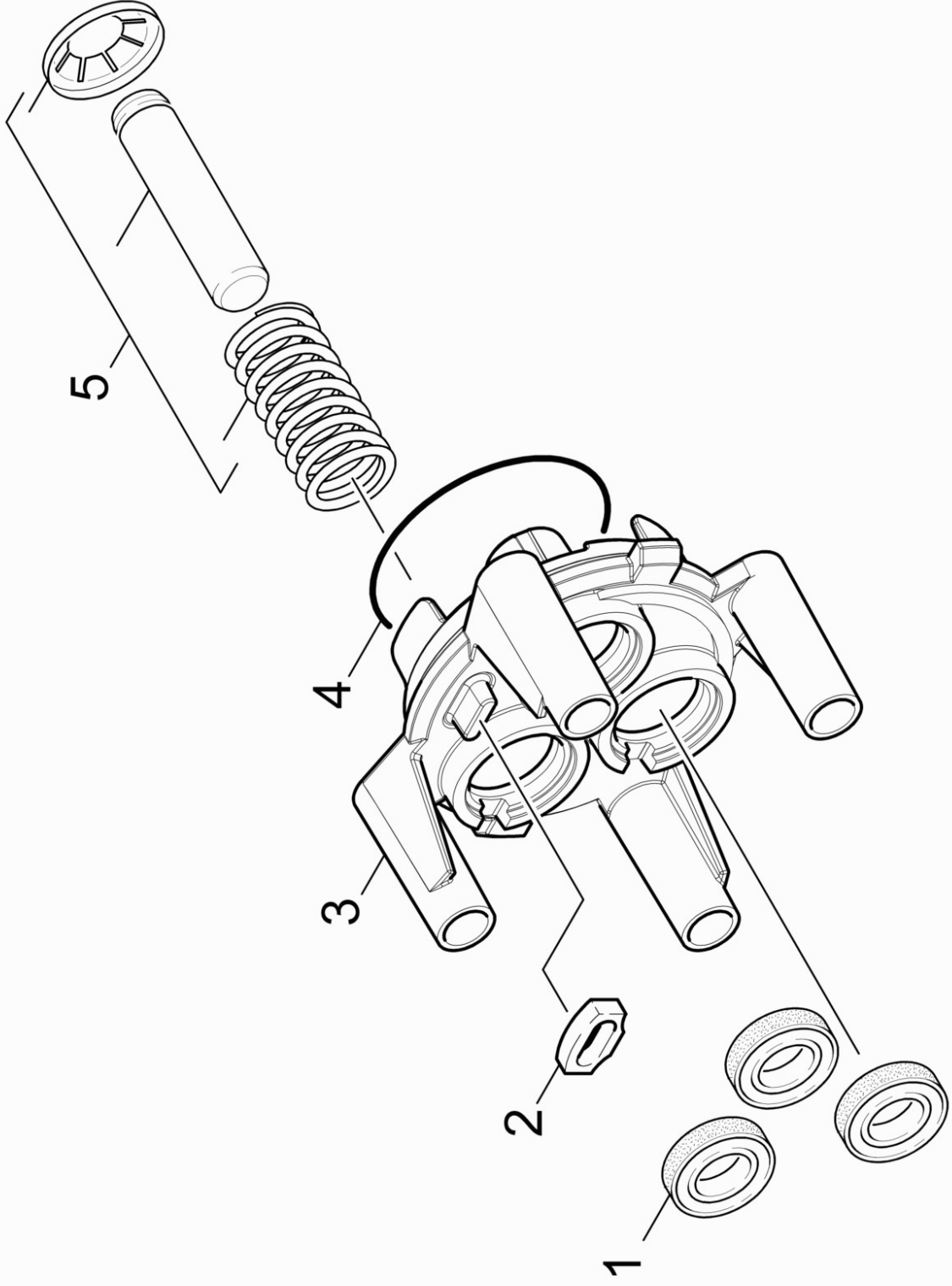
1.1 Spare parts set cylinder head WCP (9.001-693.0)

POS	Article no.	Description	Quantity	Unit
10	9.002-552.0	Head end WCM c/guarnizioni Tuico	1	PC
50	9.038-428.0	Supportring 6,7 mm	3	PC
	Item text1: replaced by 9.038-428.3			
50	9.038-428.3	Slip ring carrier c/imballo	3	PC
20	9.047-026.0	Spring	3	PC



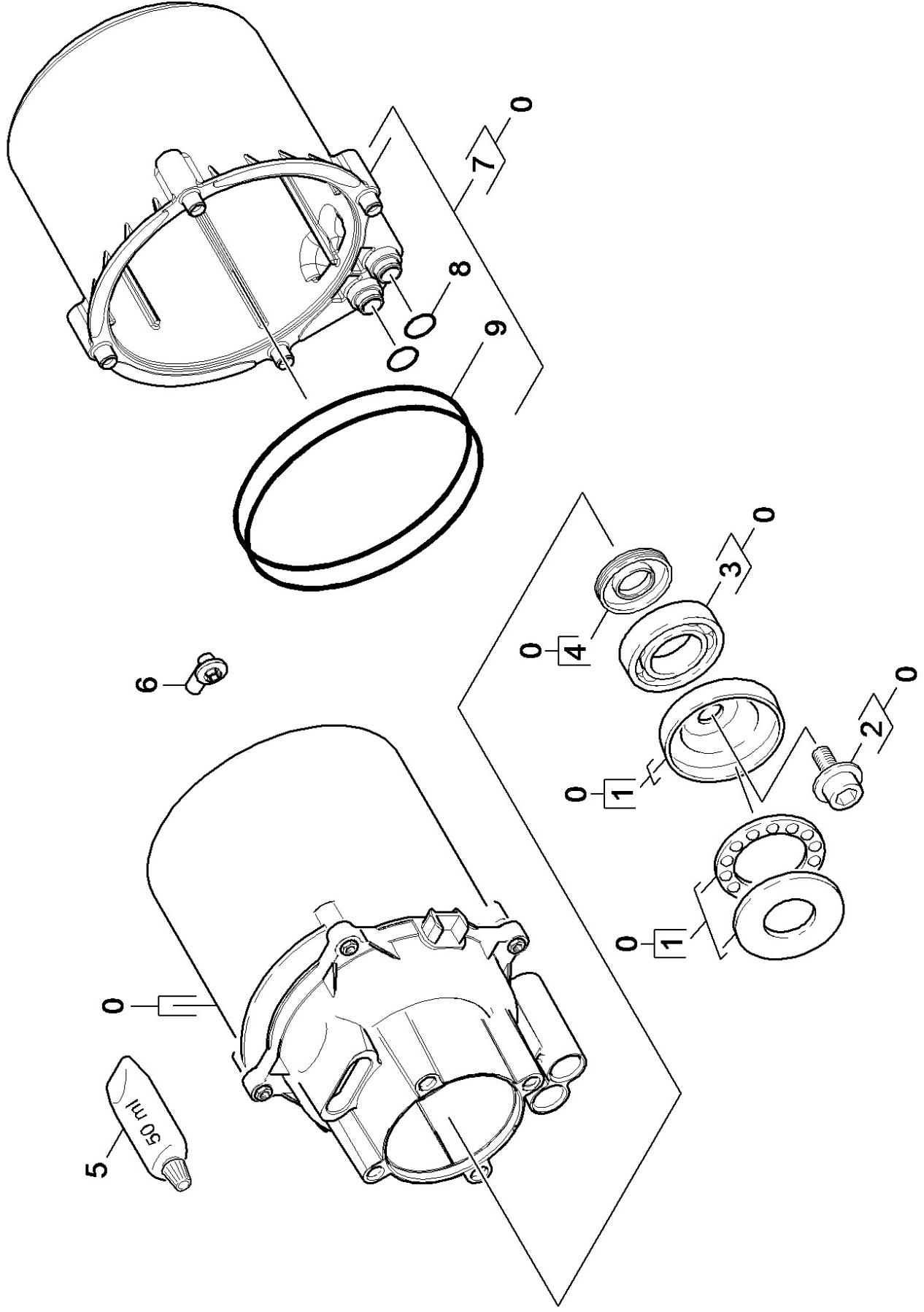
10 Head end WCM c/guarnizioni Tuico (9.002-552.0)

POS	Article no.	Description	Quantity	Unit
239	4.100-830.0	Spare parts set valves	1	PC
238	4.100-832.0	Spare parts set seals	3	PC
246	9.001-107.0	Cage complete	1	PC



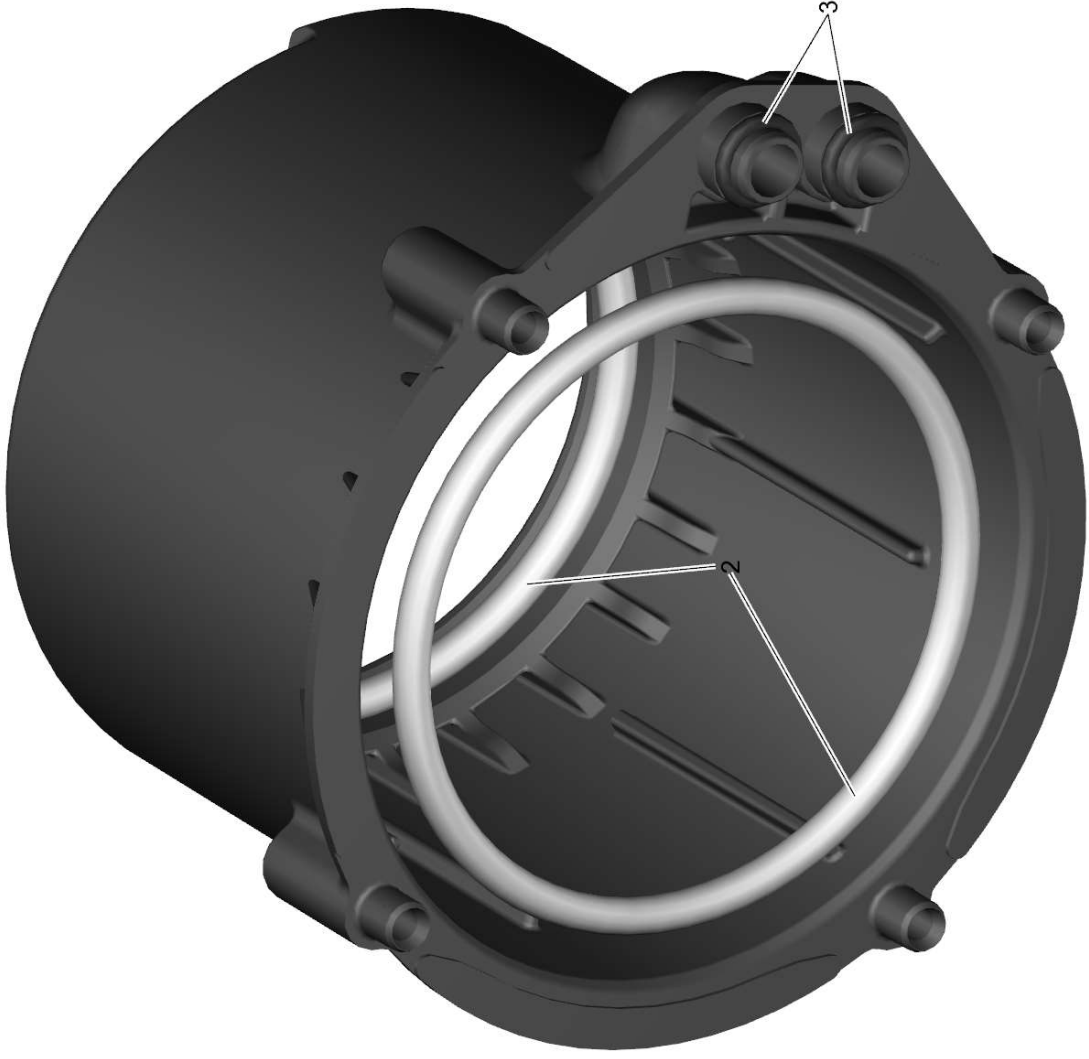
23 Thrust guidance

POS	Article no.	Description	Quantity	Unit
5	9.001-927.0	Piston complete	3	PC
3	9.042-149.0	Thrust guidance	1	PC
2	9.048-071.0	Spacer - Seal	1	PC
1	9.078-015.0	Grooved ring	3	PC
4	9.080-425.0	O-Ring seal 60 x 2 NBR 70	1	PC



30 Motor

POS	Article no.	Description	Quantity	Unit
5	6.964-092.0	Viscous oil 50ml	1	PC
3	7.401-010.0	Ball bearing 6303 St DIN 625-1	1	PC
1	9.001-671.0	Wobble plate	1	PC
0	9.001-877.0	Motor replacement K4 Compact	1	PC
	Item text1: 1.637-400.0 /-402.0 /-403.0 /-404.0			
0	9.001-906.0	Motor replacement H70 Cu K3/K4 compact G	1	PC
	Item text1: 1.637-401.0			
7	9.001-918.0	Covering cap motor complete	1	PC
6	9.038-147.0	Draining hose compact	1	PC
4	9.078-021.0	Grooved ring 17x35x5	1	PC
9	9.080-453.0	O-Ring seal 95x6	2	PC
8	9.080-455.0	Seal 10x2,8	2	PC
2	9.086-205.0	Screw	1	PC



7 Covering cap motor complete (9.001-918.0)

POS	Article no.	Description	Quantity	Unit
2	9.080-453.0	O-Ring seal 95x6	2	PC
3	9.080-455.0	Seal 10X2,8	2	PC

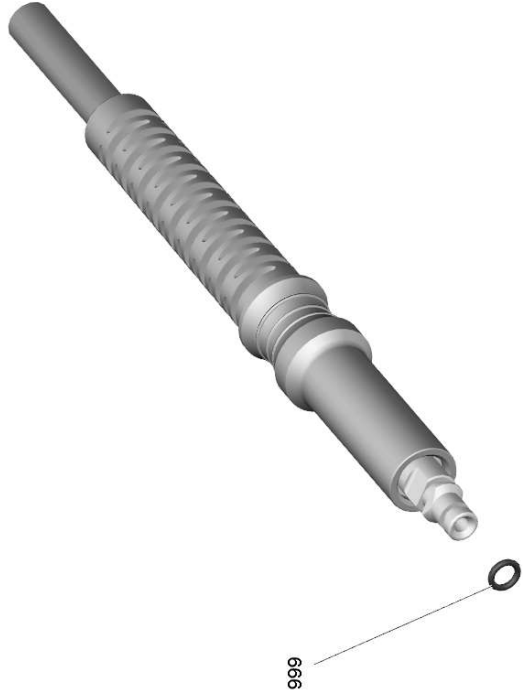
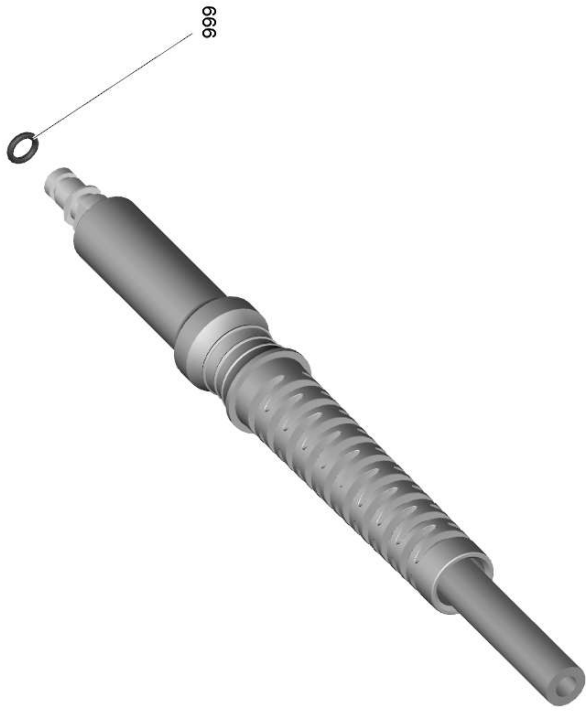
40 Accessories

POS	Article no.	Description	Quantity	Unit	Foot note text
43		Jet pipe	1	PC	
45		Surface cleaner	1	PC	
42	2.641-721.0	H 9 Q high pressure hose Quick Connect	1	PC	
44	2.642-728.0	DB 145 rotor nozzle packaged	1	PC	VERSION 2
	Item text1: 1.637-400.0/-404.0				
41	2.642-889.0	G 180 Q gun	1	PC	
43	2.644-430.0	VP 160 vario power jet	1	PC	VERSION 2
	Item text1: 1.637-400.0/-404.0				



41 G 180 Q gun (2.642-889.0)

POS	Article no.	Description	Quantity	Unit
1	5.332-464.0	Pressure spring	1	PC

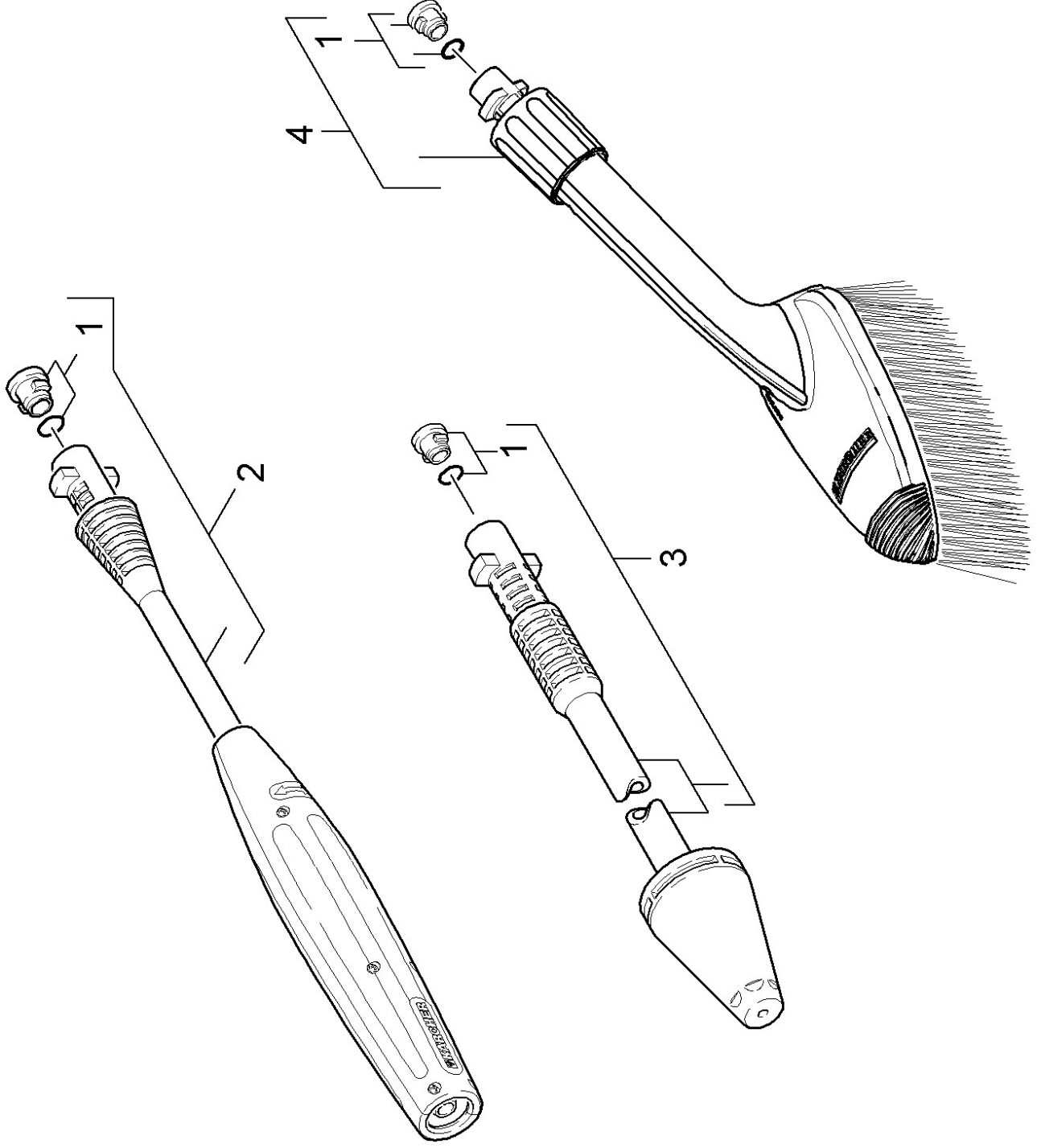


42 H 9 Q high pressure hose Quick Connect (2.641-721.0)

POS	Article no.	Description	Quantity	Unit
999	2.640-729.0	O-Ring seal set	1	PC

999 O-Ring seal set (2.640-729.0)

POS	Article no.	Description	Quantity	Unit
10	4.101-395.0	Drain plug with O-Ring seal	1	PC

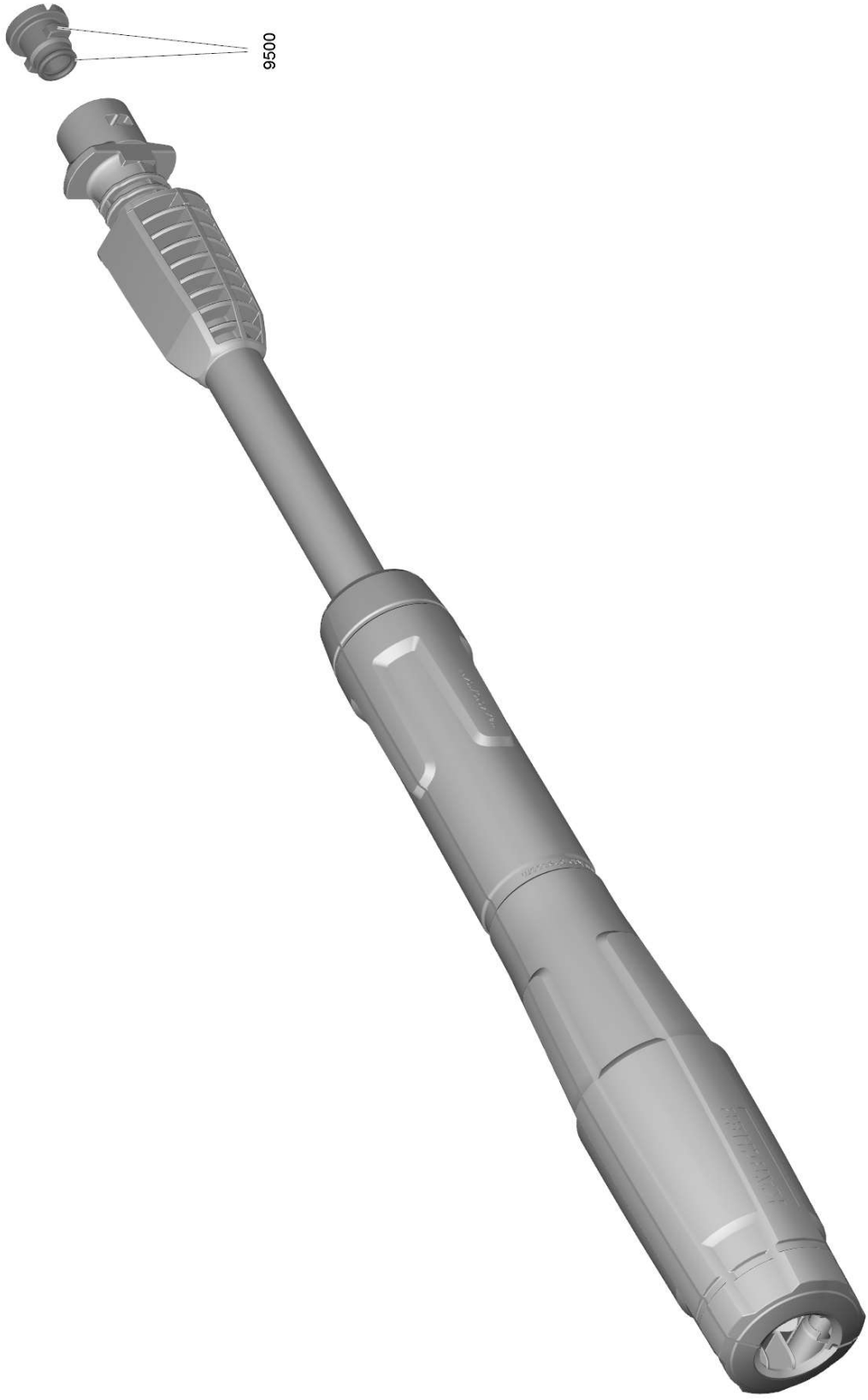


43 Jet pipe

POS	Article no.	Description	Quantity	Unit
4	2.640-589.0	Brush lengthwise	1	PC
1	2.640-729.0	O-Ring seal set	1	PC
2	4.760-534.0	VPS K3 0287 K	1	PC
3	4.764-375.0	Dirt blaster middle 031 ST	1	PC

1 O-Ring seal set (2.640-729.0)

POS	Article no.	Description	Quantity	Unit
10	4.101-395.0	Drain plug with O-Ring seal	1	PC



43 VP 160 vario power jet (2.644-430.0)

POS	Article no.	Description	Quantity	Unit
9500	2.640-729.0	O-Ring seal set	1	PC

9500 O-Ring seal set (2.640-729.0)

POS	Article no.	Description	Quantity	Unit
10	4.101-395.0	Drain plug with O-Ring seal	1	PC

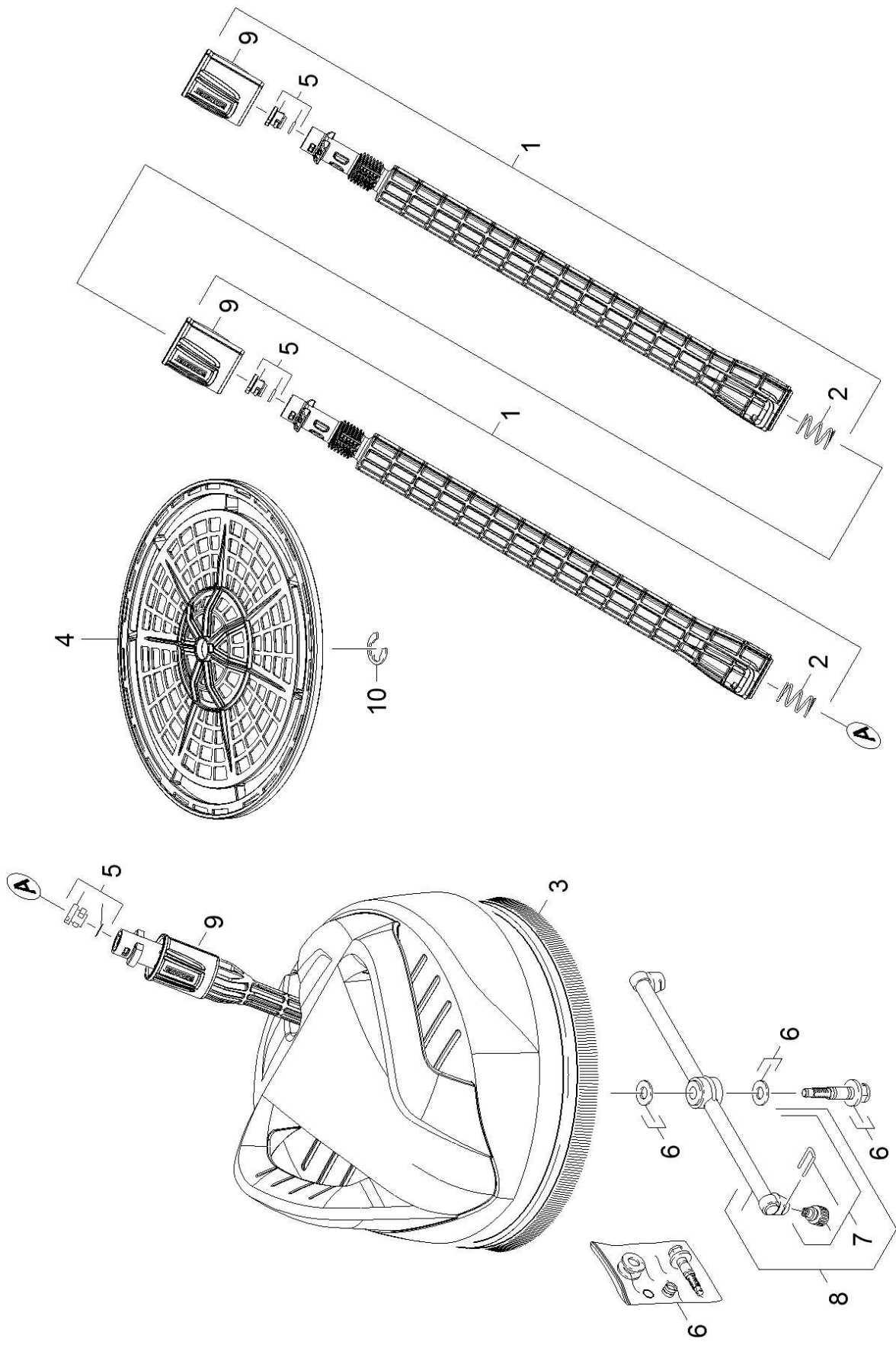


44 DB 145 rotor nozzle packaged (2.642-728.0)

POS	Article no.	Description	Quantity	Unit
9500	2.640-729.0	O-Ring seal set	1	PC

9500 O-Ring seal set (2.640-729.0)

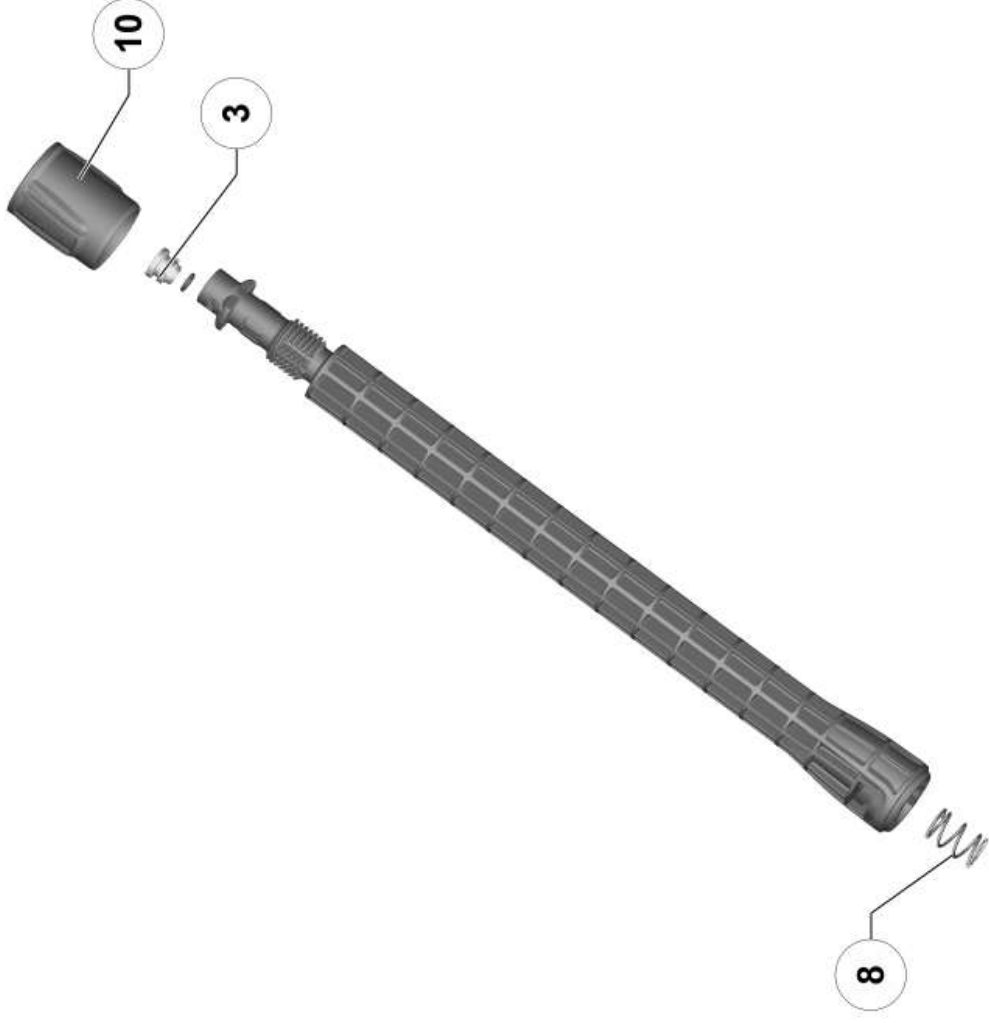
POS	Article no.	Description	Quantity	Unit
10	4.101-395.0	Drain plug with O-Ring seal	1	PC



45 Surface cleaner

POS	Article no.	Description	Quantity	Unit	Foot note text
5	2.640-729.0	O-Ring seal set	3	PC	
1	2.643-240.0	Single-step jet pipe extension	2	PC	
7	2.643-338.0	Spare parts nozzles T-Racer	1	PC	GREY
6	2.883-994.0	Spare part set set of gaskets neutrally	1	PC	
8	2.885-003.0	Spare part set rotor neutrally	1	PC	
9	5.310-160.0	Nut Kaercher	3	PC	
2	5.332-464.0	Pressure spring	2	PC	
4	5.394-865.0	Grate T 250 Plus	1	PC	
10	7.343-206.0	Lock washer 12-CuSn8 DIN 6799	1	PC	
3	9.002-592.3	Brush linear c/imballe	1	PC	

1 Single-step jet pipe extension (2.643-240.0)



1 Single-step jet pipe extension (2.643-240.0)

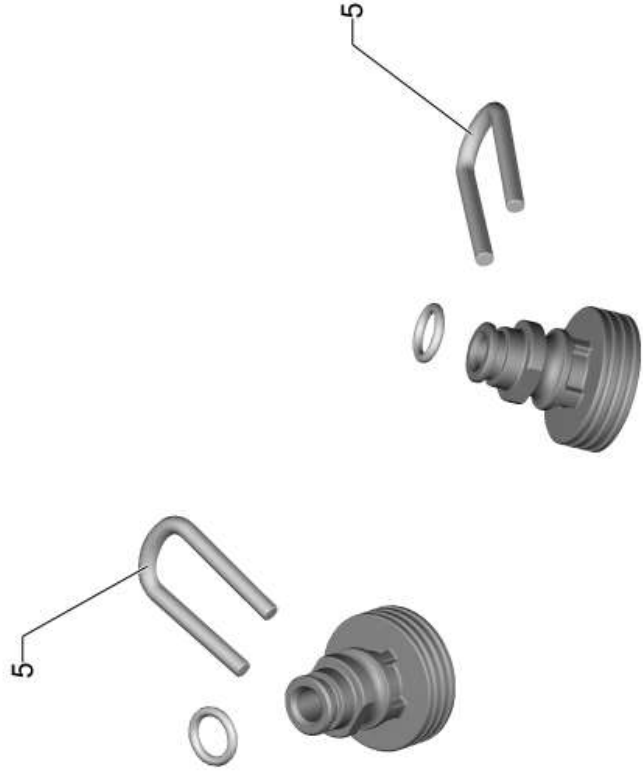
POS	Article no.	Description	Quantity	Unit
3	2.640-729.0	O-Ring seal set	1	PC
10	5.310-160.0	Nut Kaercher	1	PC
8	5.332-464.0	Pressure spring	1	PC

3 O-Ring seal set (2.640-729.0)









POS	Article no.	Description	Quantity	Unit
10	4.101-395.0	Drain plug with O-Ring seal	1	PC

5 O-Ring seal set (2.640-729.0)



POS	Article no.	Description	Quantity	Unit
10	4.101-395.0	Drain plug with O-Ring seal	1	PC





7 Spare parts nozzles T-Racer (2.643-338.0)

<p>T 50, T 70, T 80, T 100 T 150, T 200, T 250, T 300, T 400, T 450, T 550</p>	<p>K 2 - K 5</p>		
<p>T 400, T 450 T 550</p>	<p>K 6 - K 7</p>		
<p>T 200, T 250</p>	<p>K 6 - K 7</p>		
<p>T 350 Gas</p>			



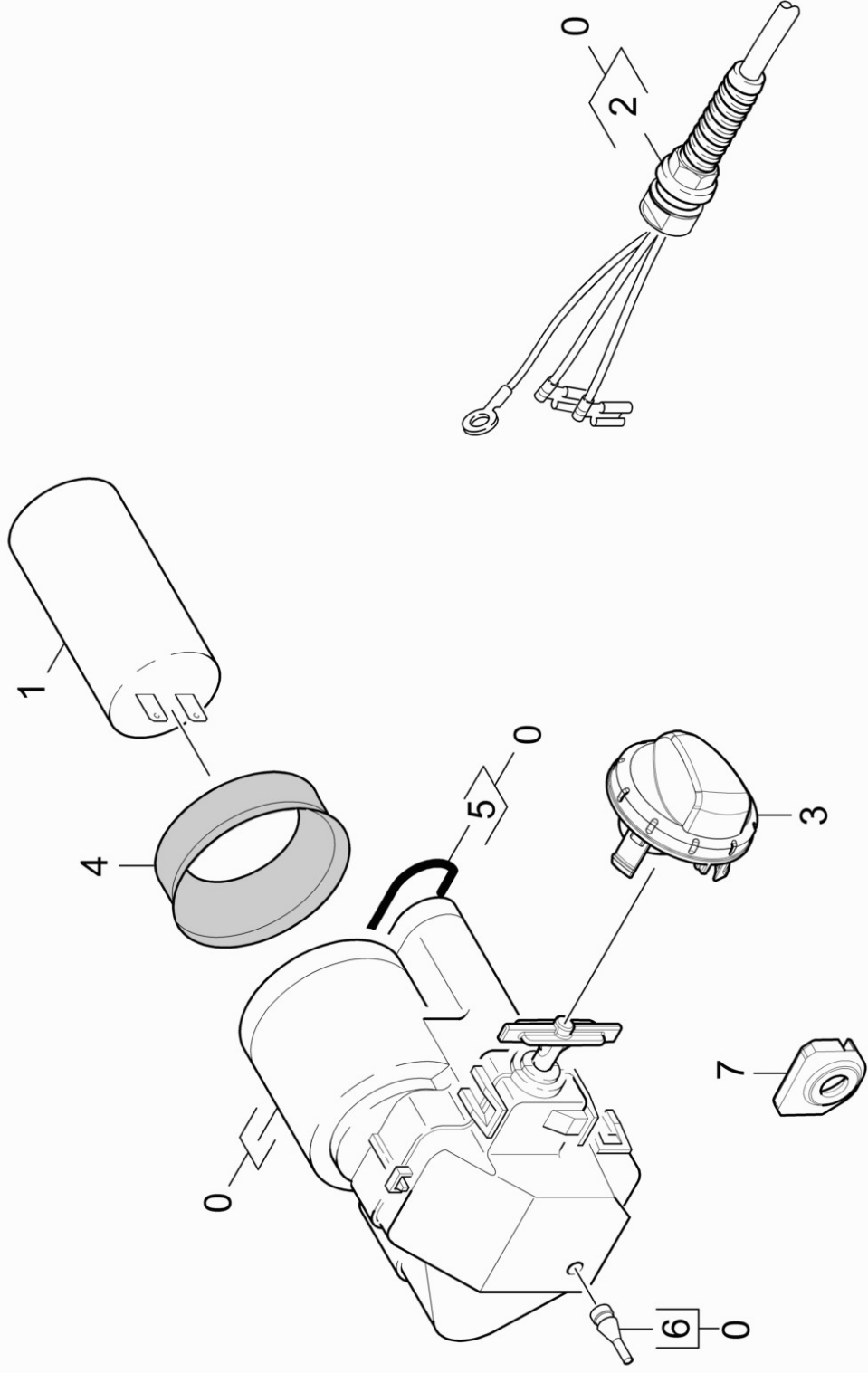
<p>K 3 - K 5</p>	
<p>K 6 - K 7</p>	



<p>K 2</p>	
<p>K 3 - K 5</p>	

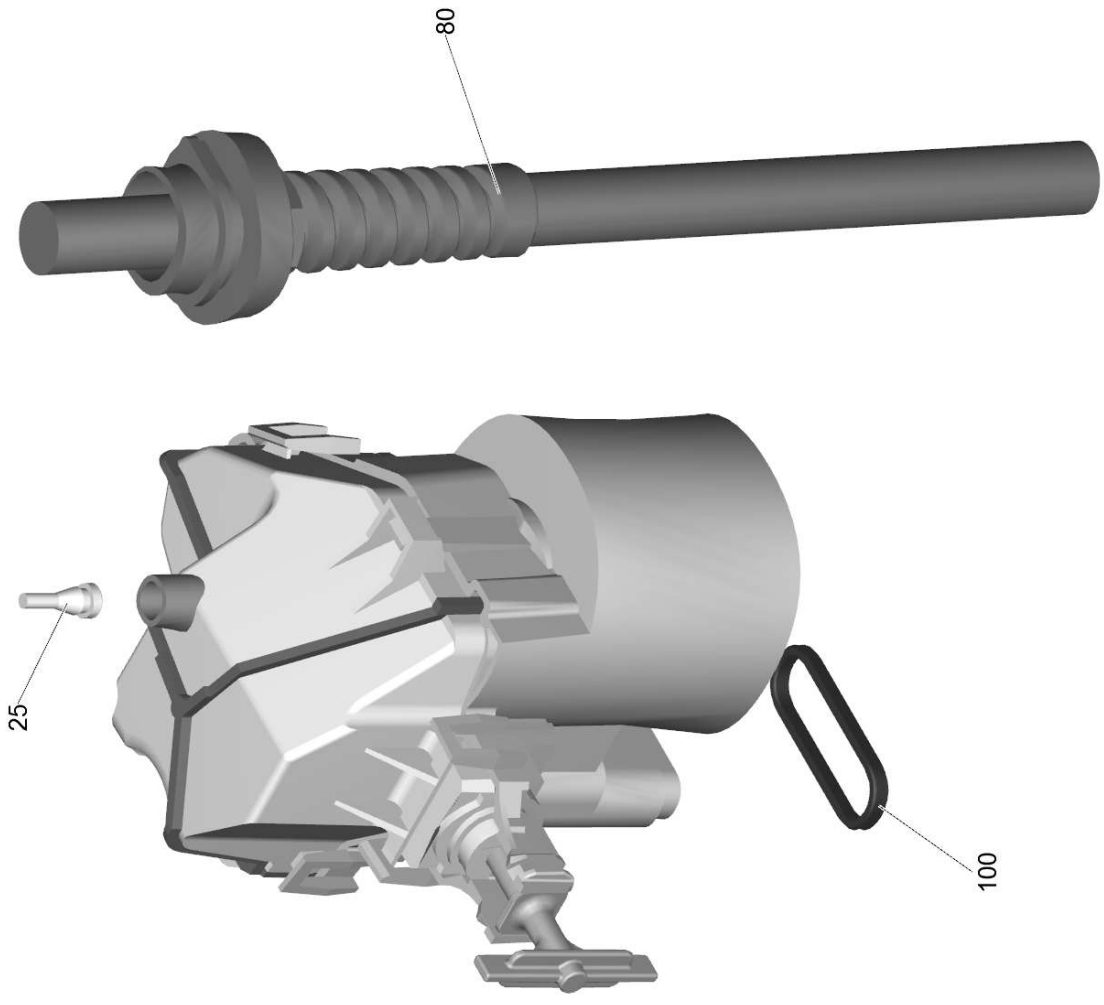
7 Spare parts nozzles T-Racer (2.643-338.0)

POS	Article no.	Description	Quantity	Unit	Remark	Foot note text
3		Nozzle complete 15027	1	PC		BLACK
	Item text1: 027					
4	4.764-190.0	Nozzle kpl. 75047	1	PC		GREEN
	Item text1: 047					
5	5.037-151.0	Clamp	2	PC		
1	7.777-999.0	Stockpiling discontinued	1	PC	<13 MPa (<130 bar)	GREY
	Item text1: 015					
2	7.777-999.0	Stockpiling discontinued	1	PC	13 MPa (130 bar) - 16 MPa (160 bar)	YELLOW
	Item text1: 020					



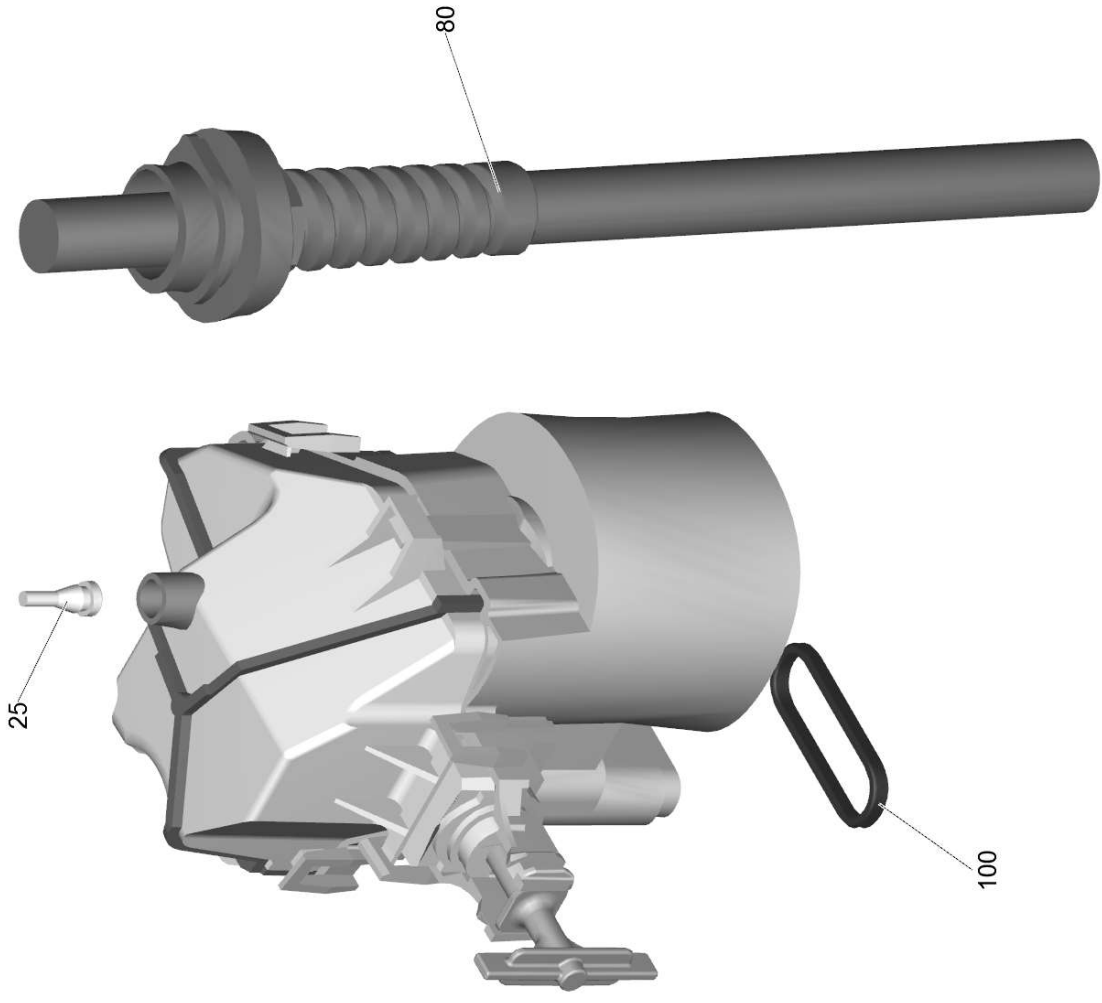
50 Electric box

POS	Article no.	Description	Quantity	Unit
5	7.777-999.0	Stockpiling discontinued	1	PC
0	9.001-879.0	Electric box complete	1	PC
	Item text1: 1.637-400.0 /-403.0			
0	9.001-907.0	Electric box complete	1	PC
	Item text1: 1.637-401.0			
0	9.001-910.0	Electric box complete	1	PC
	Item text1: 1.637-402.0			
0	9.001-939.0	Electric box complete	1	PC
	Item text1: 1.637-404.0			
7	9.037-441.0	Spacer electric box WCM	1	PC
3	9.038-808.0	Knob switch black 1K	1	PC
4	9.080-465.0	Joint ring capacitor d.45, 70 Shore	1	PC
2	9.084-139.0	Cable with plug *EU	1	PC
	Item text1: 1.637-400.0 /-403.0			
2	9.084-144.0	Power cord H05VV-F 3G1*GB	1	PC
	Item text1: 1.637-401.0			
2	9.084-231.0	Cable with plug	1	PC
	Item text1: 1.637-404.0			
2	9.084-419.0	Cable 3G1 CH IP55	1	PC
	Item text1: 1.637-402.0			
1	9.085-095.0	Capacitor 32uF	1	PC
6	9.760-054.0	E-box sealing cap	1	PC



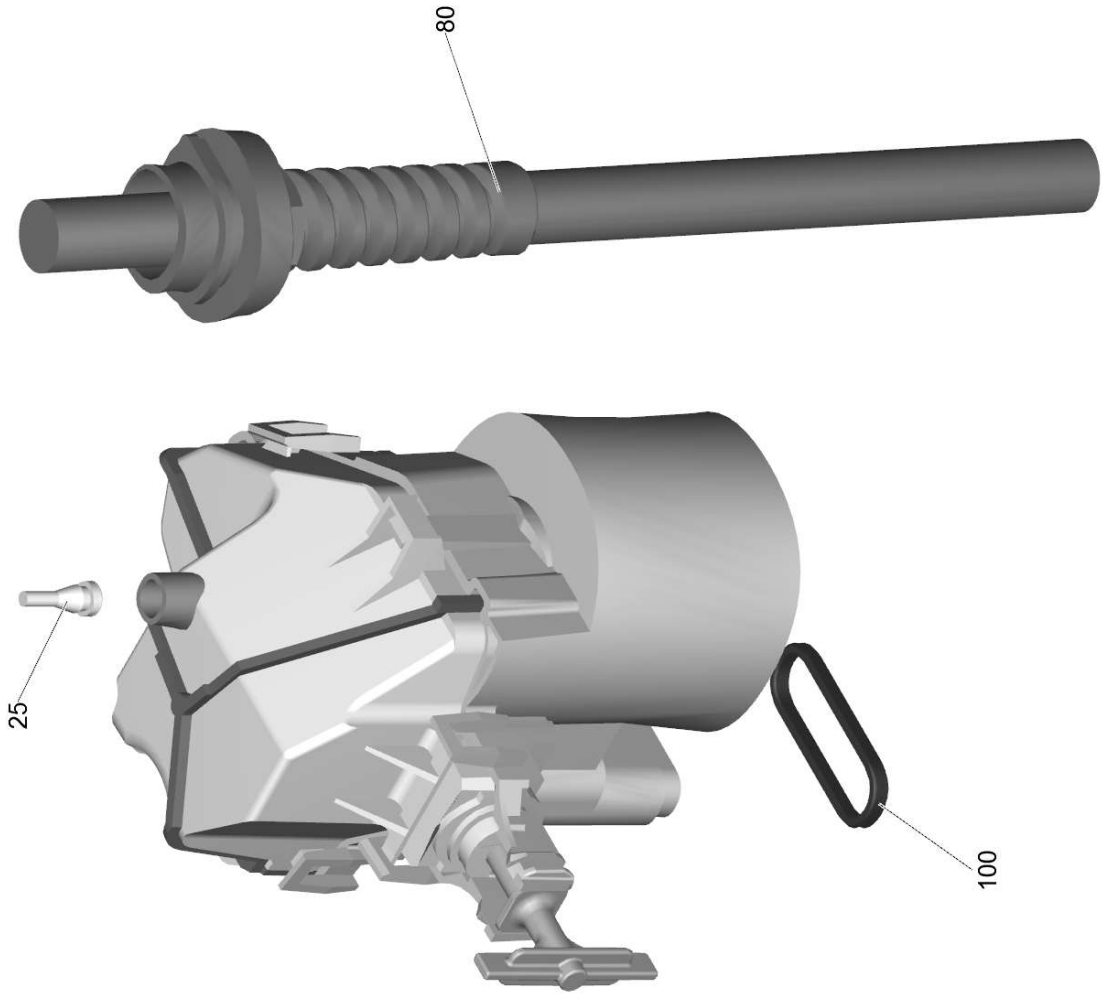
Electric box complete (9.001-879.0)

POS	Article no.	Description	Quantity	Unit
100	7.777-999.0	Stockpiling discontinued	1	PC
80	9.084-139.0	Cable with plug *EU	1	PC
25	9.760-054.0	E-box sealing cap	1	PC



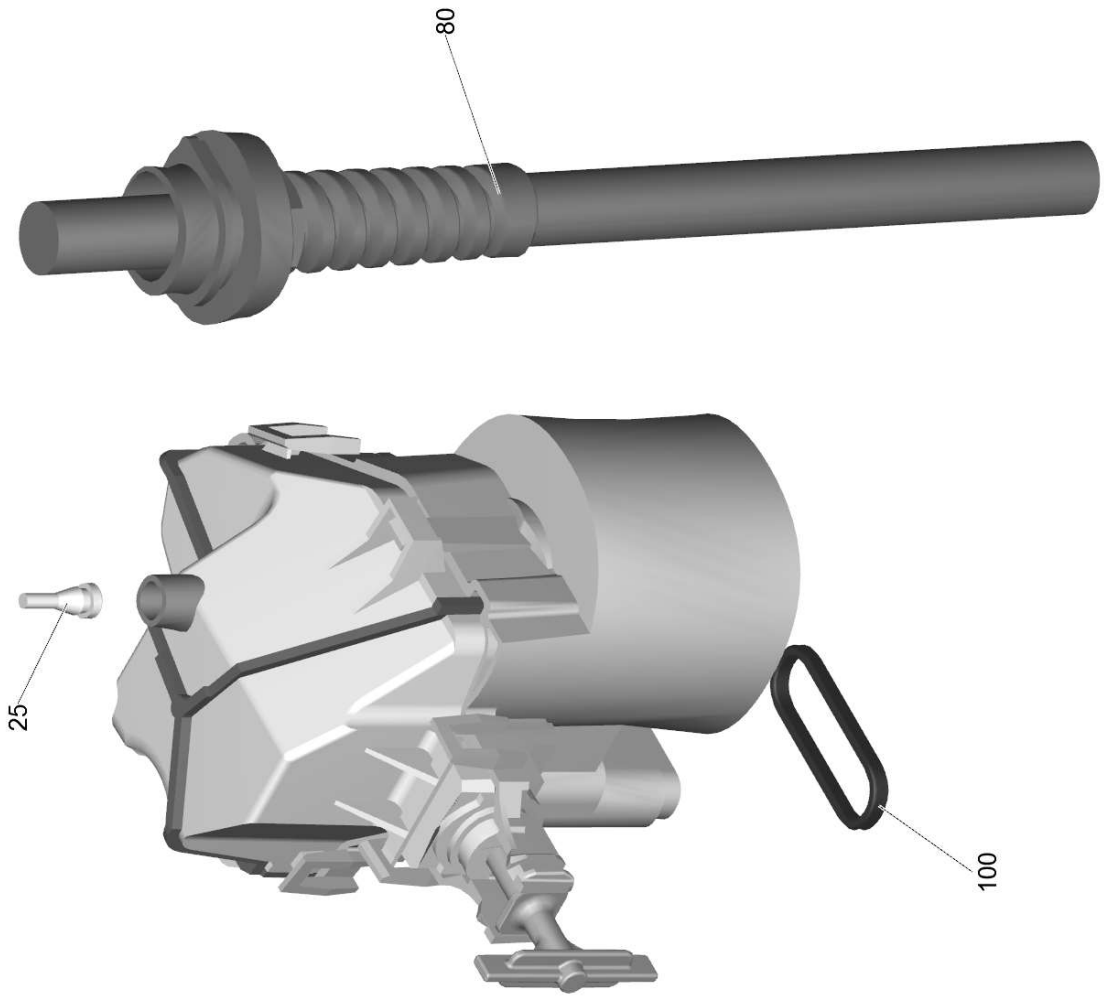
Electric box complete (9.001-907.0)

POS	Article no.	Description	Quantity	Unit
100	7.777-999.0	Stockpiling discontinued	1	PC
80	9.084-144.0	Power cord H05VV-F 3G1*GB	1	PC
25	9.760-054.0	E-box sealing cap	1	PC



Electric box complete (9.001-910.0)

POS	Article no.	Description	Quantity	Unit
100	7.777-999.0	Stockpiling discontinued	1	PC
80	9.084-419.0	Cable 3G1 CH IP55	1	PC
25	9.760-054.0	E-box sealing cap	1	PC



Electric box complete (9.001-939.0)

POS	Article no.	Description	Quantity	Unit
100	7.777-999.0	Stockpiling discontinued	1	PC
80	9.084-231.0	Cable with plug	1	PC
25	9.760-054.0	E-box sealing cap	1	PC