

## **Spare parts list**

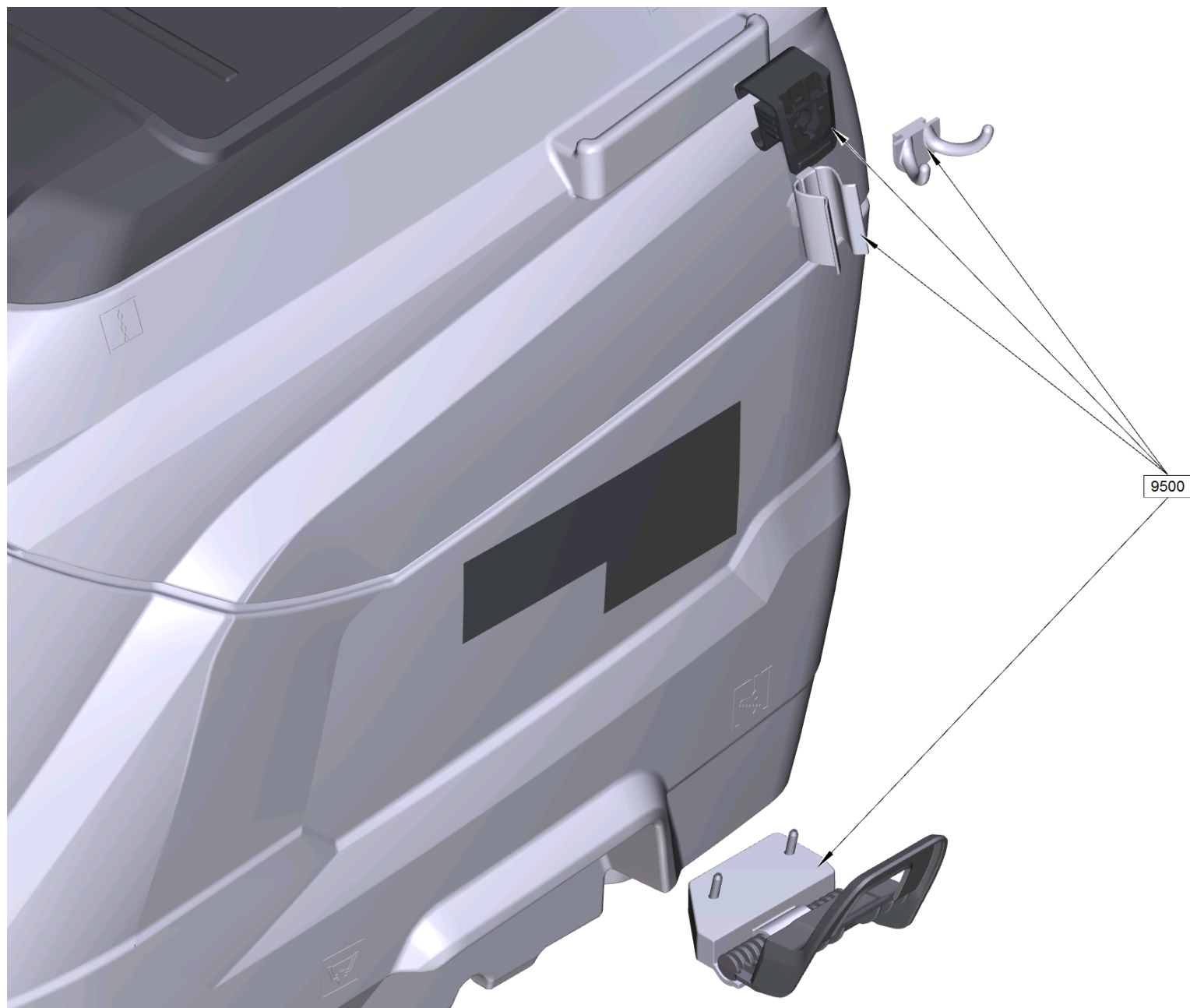
(1.515-401.0) BD 43/35 C Ep

## Table of contents

---

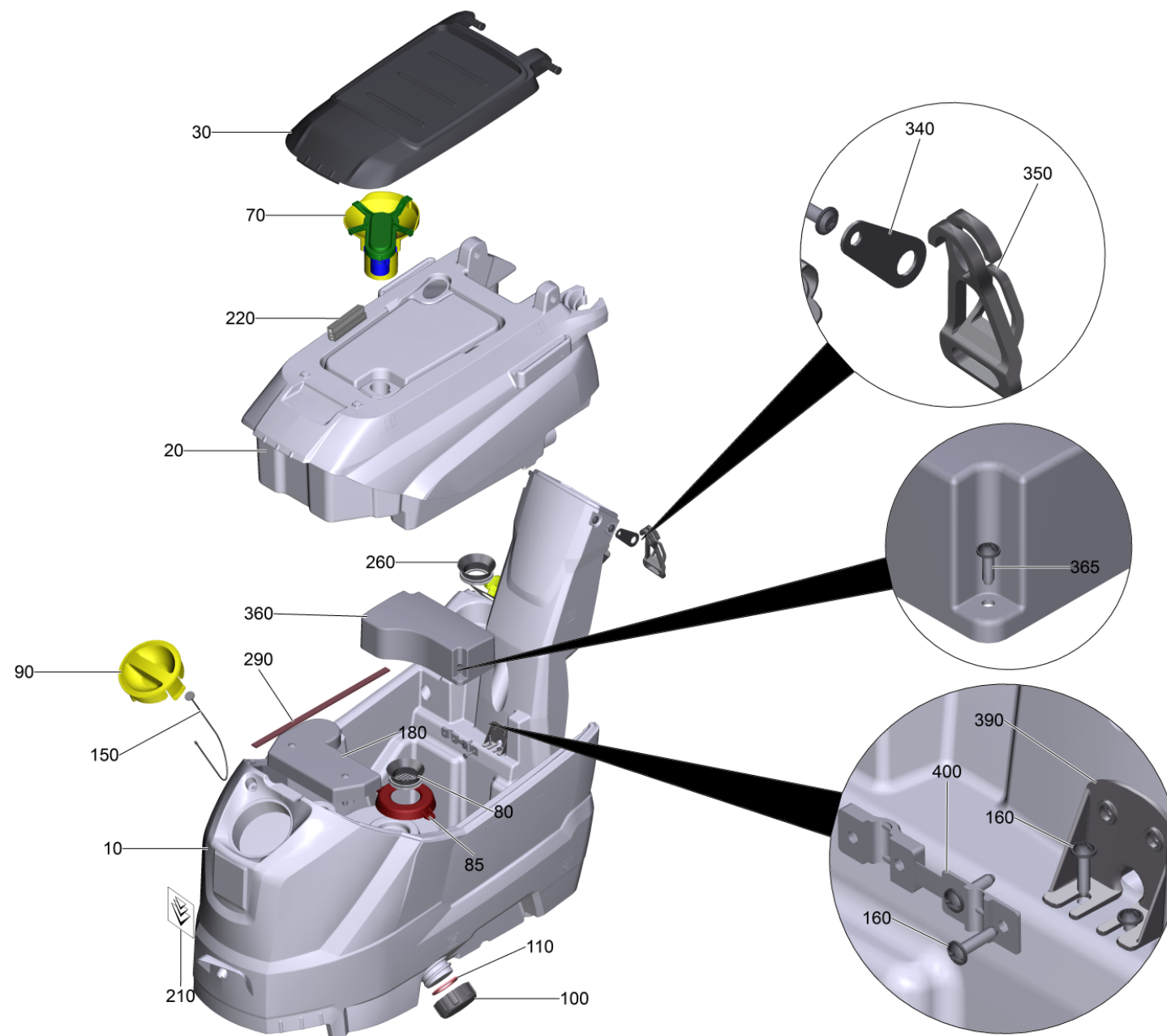
BD 43/35 C Ep (1.515-401.0)	3
10 Tank complete BD 43/35 Ep	6
30 Cap of a tank waste water replacement (9.755-479.0)	13
70 Float regulator complete	15
120 Ball valve complete B 25	17
140 Drain hose with cover replacement (9.755-638.0)	19
10 Tank complete BD 43/35 Ep	21
30 Cap of a tank waste water replacement (9.755-479.0)	28
70 Float regulator complete	30
120 Ball valve solenoid valve complete B25 2	32
140 Drain hose with cover replacement (9.755-638.0)	34
20 Electronics complete 230V	36
30 Turbine 2-level replacement Ep 230V (CCL (9.755-486.0)	38
80 Carriage BD 43/35 C Classic	40
90 Control panel BD 43/35	42
100 Brush-head complete BD 43/35	44
40 Disc brush complete red D43 (4.905-022.0)	47
110 Suction bar lifting complete	48
120 Retainer turbine complete BD 43/35 C	50
180 Add-on kit drain hose ball valve BD 43 (2.643-977.0)	52
190 Add-on kit hour counter (2.643-724.0)	54
9500 Mop holder complete (9.753-023.0)	56

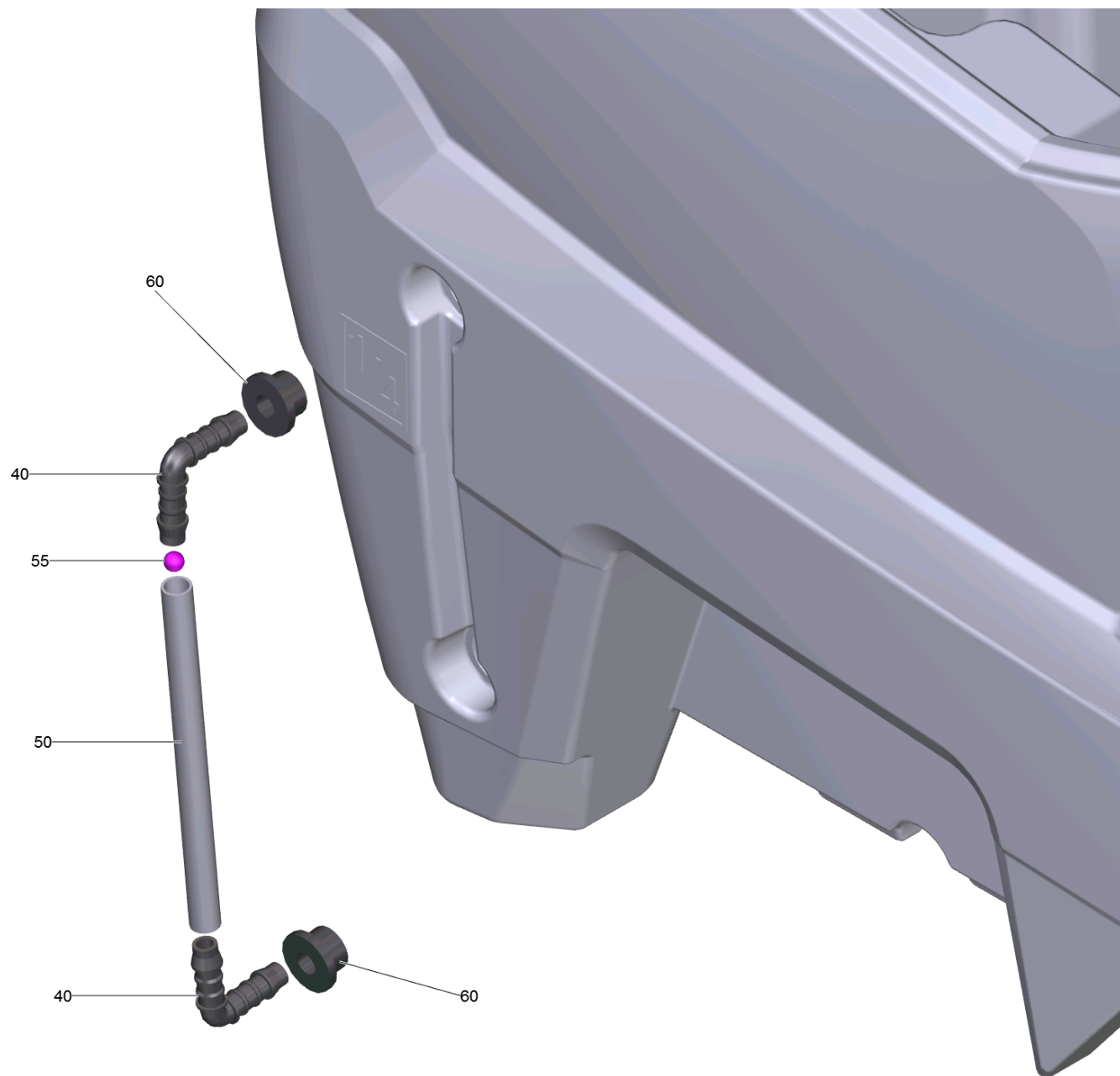


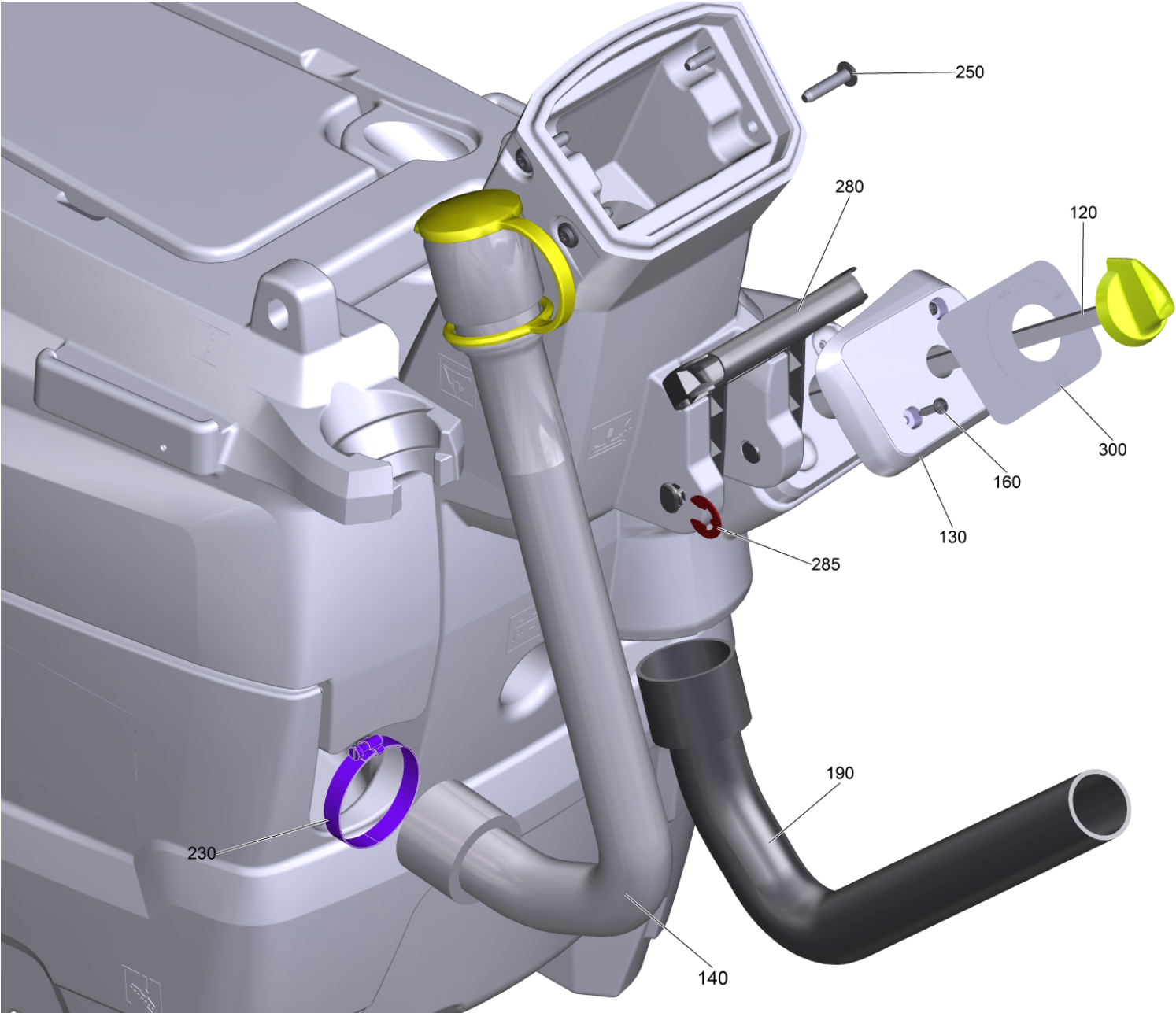


## BD 43/35 C Ep (1.515-401.0)

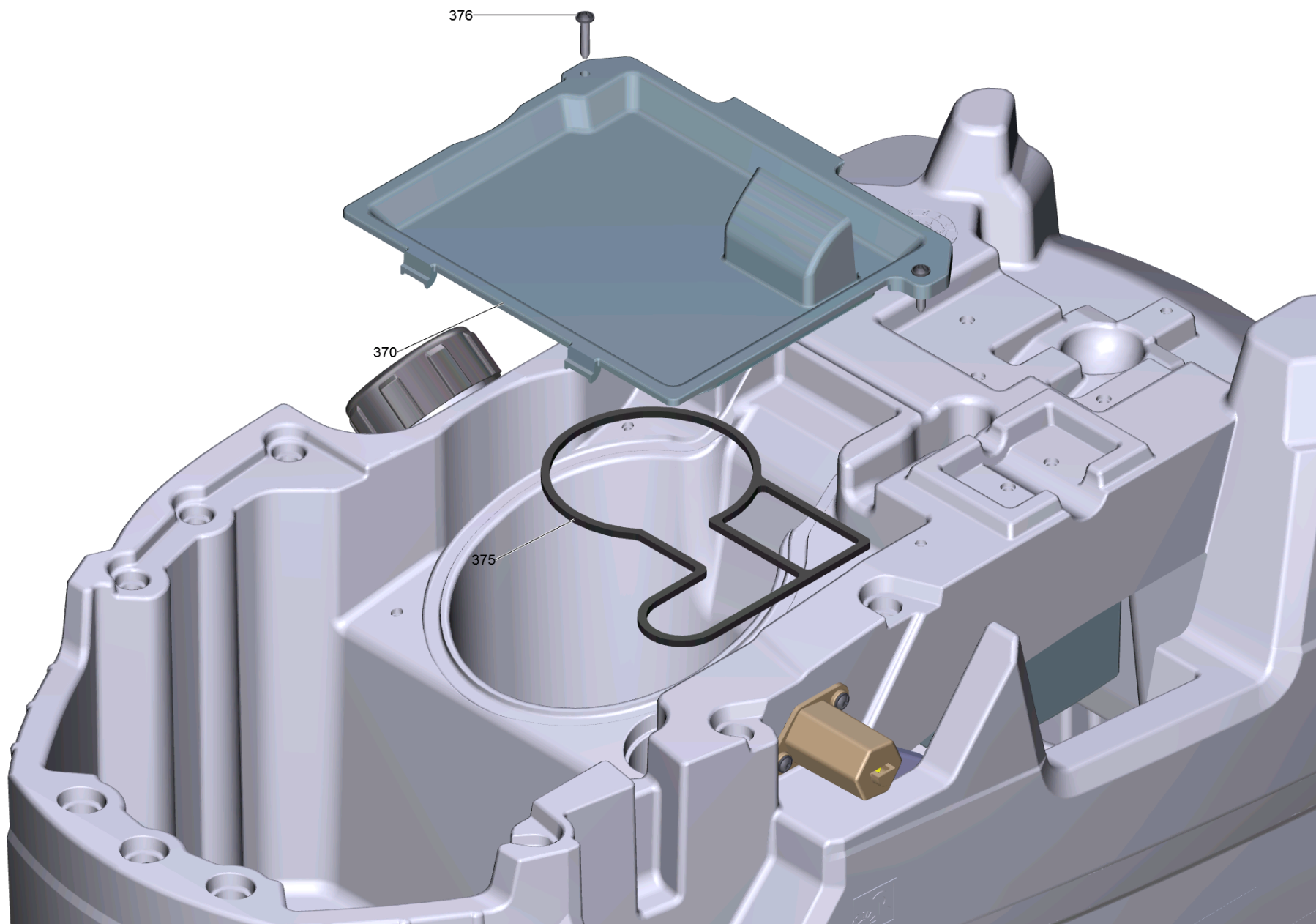
POS	Article no.	Description	Quantity	Unit	Foot note text
180	2.643-977.0	Add-on kit drain hose ball valve BD 43	1.000	ST	
190	2.643-724.0	Add-on kit hour counter	1.000	ST	
100		Brush-head complete BD 43/35	1.000	ST	
100	4.036-112.0	Brush deck tank replacement BD43Ep	1.000	ST	
160	6.594-709.0	Cable tie	1.000	ST	
80		Carriage BD 43/35 C Classic	1.000	ST	
90		Control panel BD 43/35	1.000	ST	
170	7.305-036.0	Countersunk screw M4x12 -A2-70-s (IN6RD	2.000	ST	
20		Electronics complete 230V	1.000	ST	
40	4.036-088.0	Gear motor spur gear replacement 230V AR	1.000	ST	
130	9.763-065.0	Micro switch EP	1.000	ST	
9500	9.753-023.0	Mop holder complete	1.000	ST	
120		Retainer turbine complete BD 43/35 C	1.000	ST	
150	7.303-108.0	Screw 5x20 -10.9-R2R (In6Rd)	2.000	ST	
110		Suction bar lifting complete	1.000	ST	
140	9.755-494.0	Switch program selection replacement Ep	1.000	ST	
10		Tank complete BD 43/35 Ep	1.000	ST	FOR DEVICES WITH SOLENOID VALVE
10		Tank complete BD 43/35 Ep	1.000	ST	FOR MACHINES WITHOUT SOLENOID VALVE
30	9.755-486.0	Turbine 2-level replacement Ep 230V (CCL	1.000	ST	

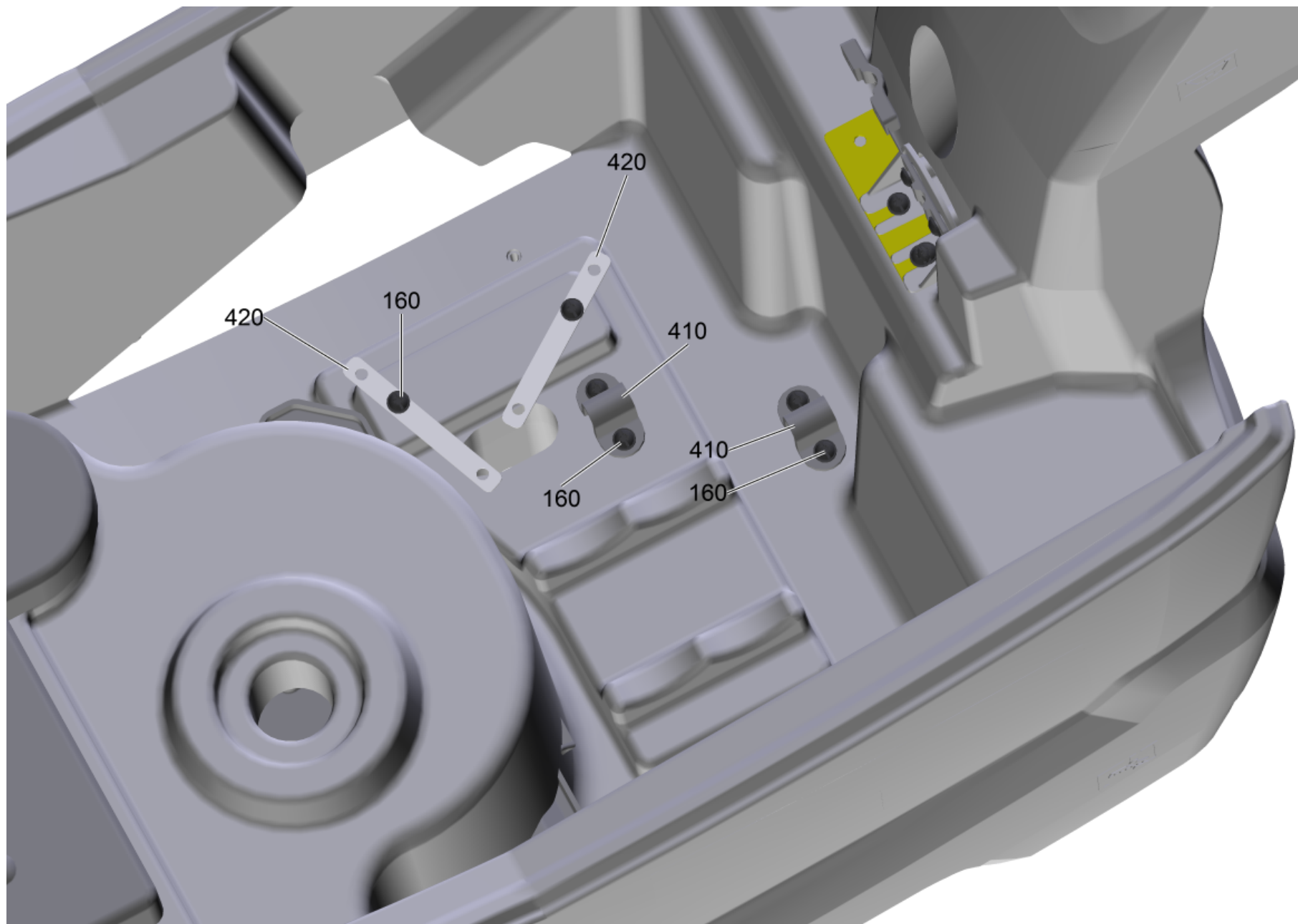












10 Tank complete BD 43/35 Ep

POS	Article no.	Description	Quantity	Unit
120		Ball valve complete B 25	1.000	ST
400	5.036-126.0	Cable clamp D9	1.000	ST
410	5.036-140.0	Cable support	2.000	ST
330	9.763-086.0	Cable support plate	1.000	ST
420	5.036-141.0	Cable tape turbine	2.000	ST
30	9.755-479.0	Cap of a tank waste water replacement	1.000	ST
90	5.035-380.0	Cover fresh water filler neck	1.000	ST
100	9.763-007.0	Cover fresh water tank	1.000	ST
180	5.036-049.0	Covering cap air inlet	1.000	ST
130	9.755-480.0	Covering cap ball valve replacement	1.000	ST
360	4.036-099.0	Covering cap capacitor replacement	1.000	ST
370	5.036-047.0	Covering cap turbine	1.000	ST
140	9.755-638.0	Drain hose with cover replacement	1.000	ST
40	6.391-913.0	Elbow nipple	2.000	ST
85	6.036-001.0	Fixing seal	1.000	ST
70		Float regulator complete	1.000	ST
375	5.036-048.0	Form seal	1.000	ST
10	9.755-621.0	Fresh water tank replacement BD43/25Ep	1.000	ST
380	5.036-124.0	Holder air circulation	2.000	ST
230	6.388-713.0	Hose clip	1.000	ST
210	5.394-081.0	Label signet gel 78x86	1.000	ST
300	9.763-060.0	Label water regulation	1.000	ST
280	9.763-041.0	Lever suction beam retraction	1.000	ST
285	9.763-079.0	Lock washer	1.000	ST
150	5.035-358.0	Mounting rope cover fresh water tank	1.000	ST
340	9.763-131.0	Plate strain relief	1.000	ST
365	7.303-107.0	Screw 5x16 -10.9-P2R (K-In6Rd)	2.000	ST
160	7.303-108.0	Screw 5x20 -10.9-R2R (In6Rd)	8.000	ST
376	6.303-200.0	Screw 5x25-IN6RD	2.000	ST
250	6.303-315.0	Screw 8 x 35	4.000	ST
110	9.763-008.0	Seal fresh water discharge	1.000	ST
220	9.755-482.0	Sealing profile replacement	1.000	ST
290	9.755-483.0	Sealing tape cellularrubber replacement	1.000	ST

## 10 Tank complete BD 43/35 Ep

---

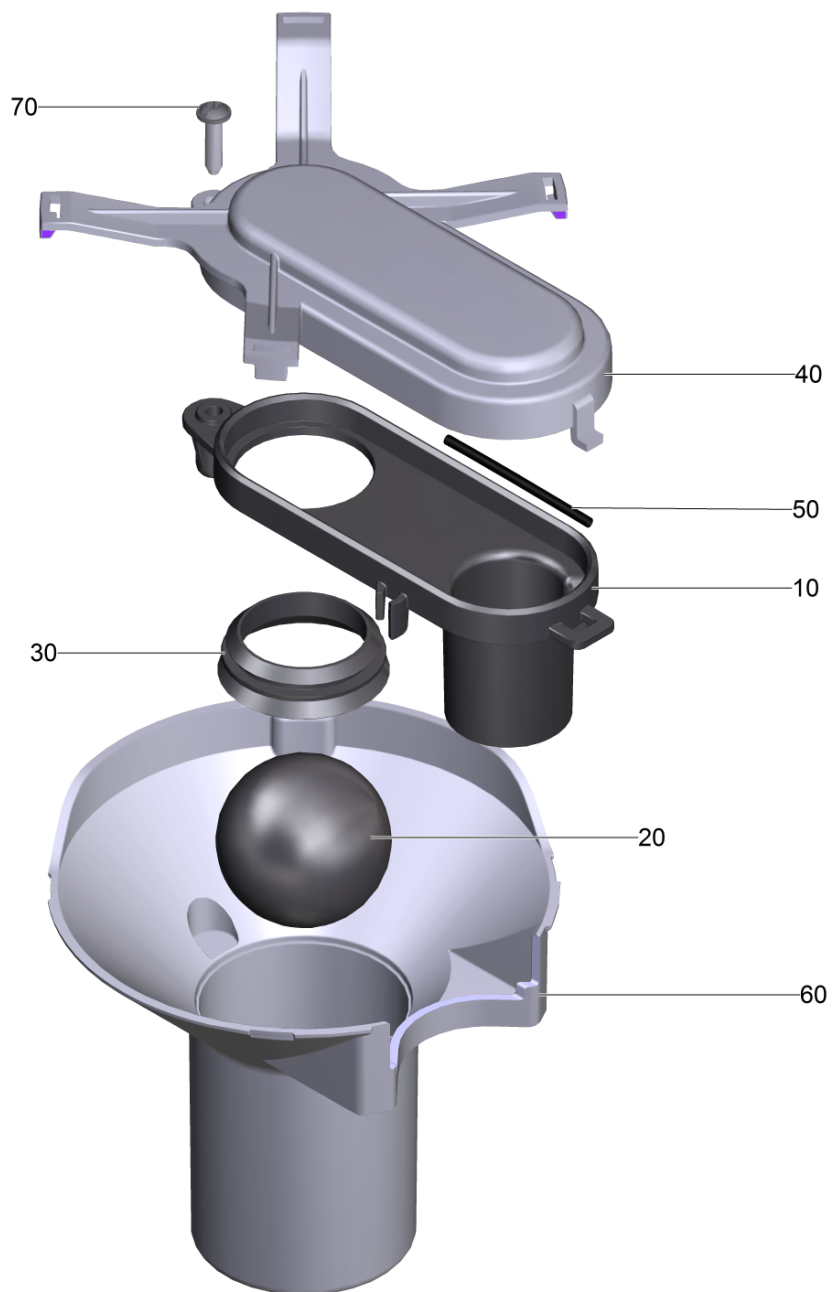
<b>POS</b>	<b>Article no.</b>	<b>Description</b>	<b>Quantity</b>	<b>Unit</b>
260	9.763-043.0	Seal suction bar air	1.000	ST
80	9.763-012.0	Seal turbine strainer	1.000	ST
50	9.763-121.0	Silicon hose level indicator	1.000	ST
55	6.035-006.0	Sphere level indicator	1.000	ST
390	5.036-125.0	Strain relief	1.000	ST
350	6.641-776.0	Strain relief	1.000	ST
190	9.763-037.0	Suction hose DN32	1.000	ST
20	4.036-117.0	Waste water tank for replacement	1.000	ST
60	5.035-608.0	Wire protecting sleeve	2.000	ST



30 Cap of a tank waste water replacement (9.755-479.0)

---

<b>POS</b>	<b>Article no.</b>	<b>Description</b>	<b>Quantity</b>	<b>Unit</b>
20	9.763-050.0	Sealing profile	1.000	ST

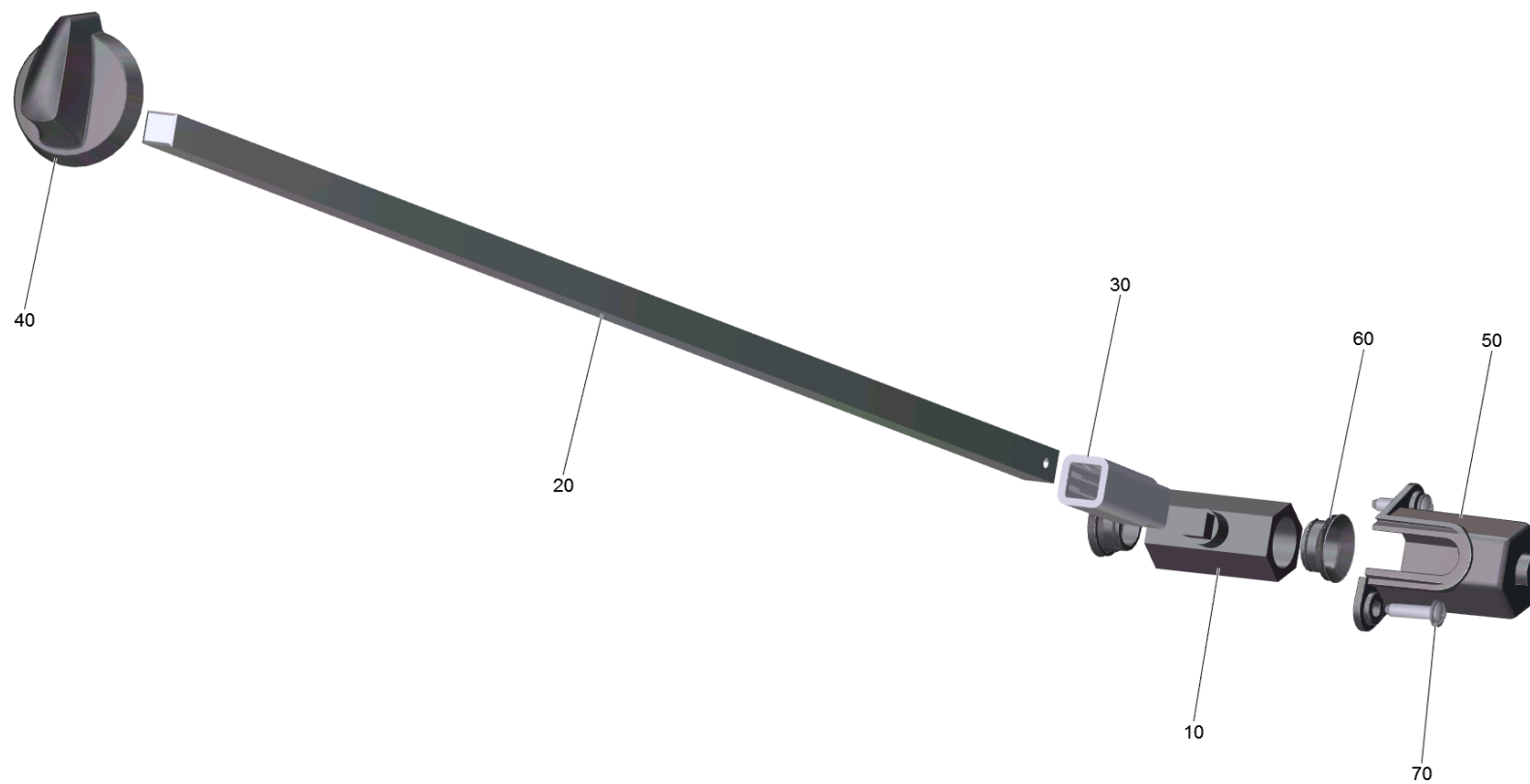


## 70 Float regulator complete

---

<b>POS</b>	<b>Article no.</b>	<b>Description</b>	<b>Quantity</b>	<b>Unit</b>
40	9.763-005.0	Cover float regulator	1.000	ST
60	9.763-047.0	Float cage	1.000	ST
20	9.763-333.0	Floater ball	1.000	ST
10	9.763-003.0	Float regulator bottom part	1.000	ST
70	7.303-108.0	Screw 5x20 -10.9-R2R (In6Rd)	1.000	ST
30	9.763-004.0	Seal float regulator	1.000	ST
50	9.763-044.0	Seal string cellular rubber float regula	1.000	ST

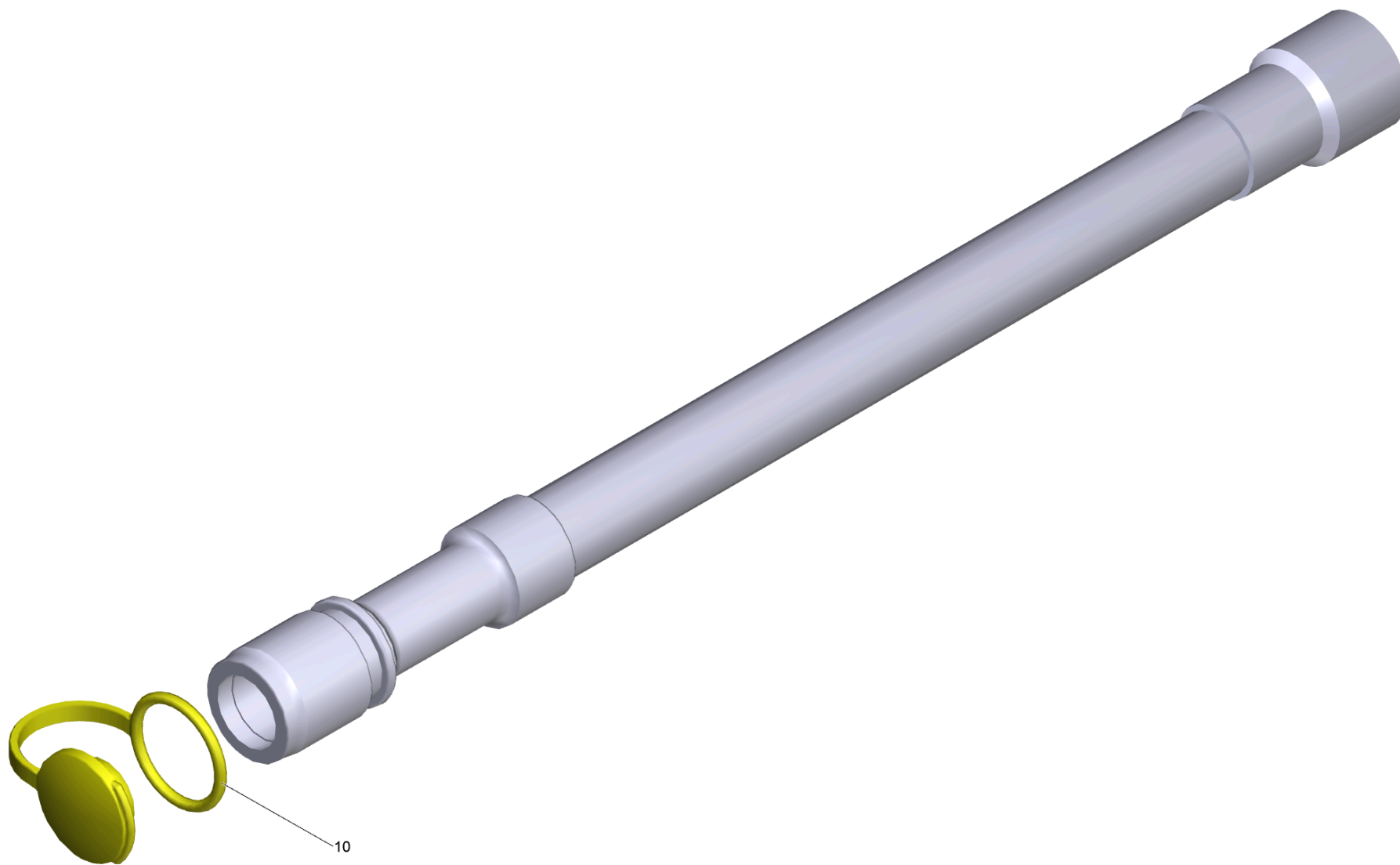




## 120 Ball valve complete B 25

---

<b>POS</b>	<b>Article no.</b>	<b>Description</b>	<b>Quantity</b>	<b>Unit</b>
10	9.763-084.0	Ball valve G 1/2"	1.000	ST
20	9.763-069.0	Bar ball valve	1.000	ST
30	5.035-459.0	Coupler piece ball valve	1.000	ST
40	5.035-404.0	Handle	1.000	ST
50	9.763-184.0	Holder ball valve B 25	1.000	ST
70	7.303-108.0	Screw 5x20 -10.9-R2R (In6Rd)	2.000	ST
60	9.763-011.0	Seal ball valve	2.000	ST

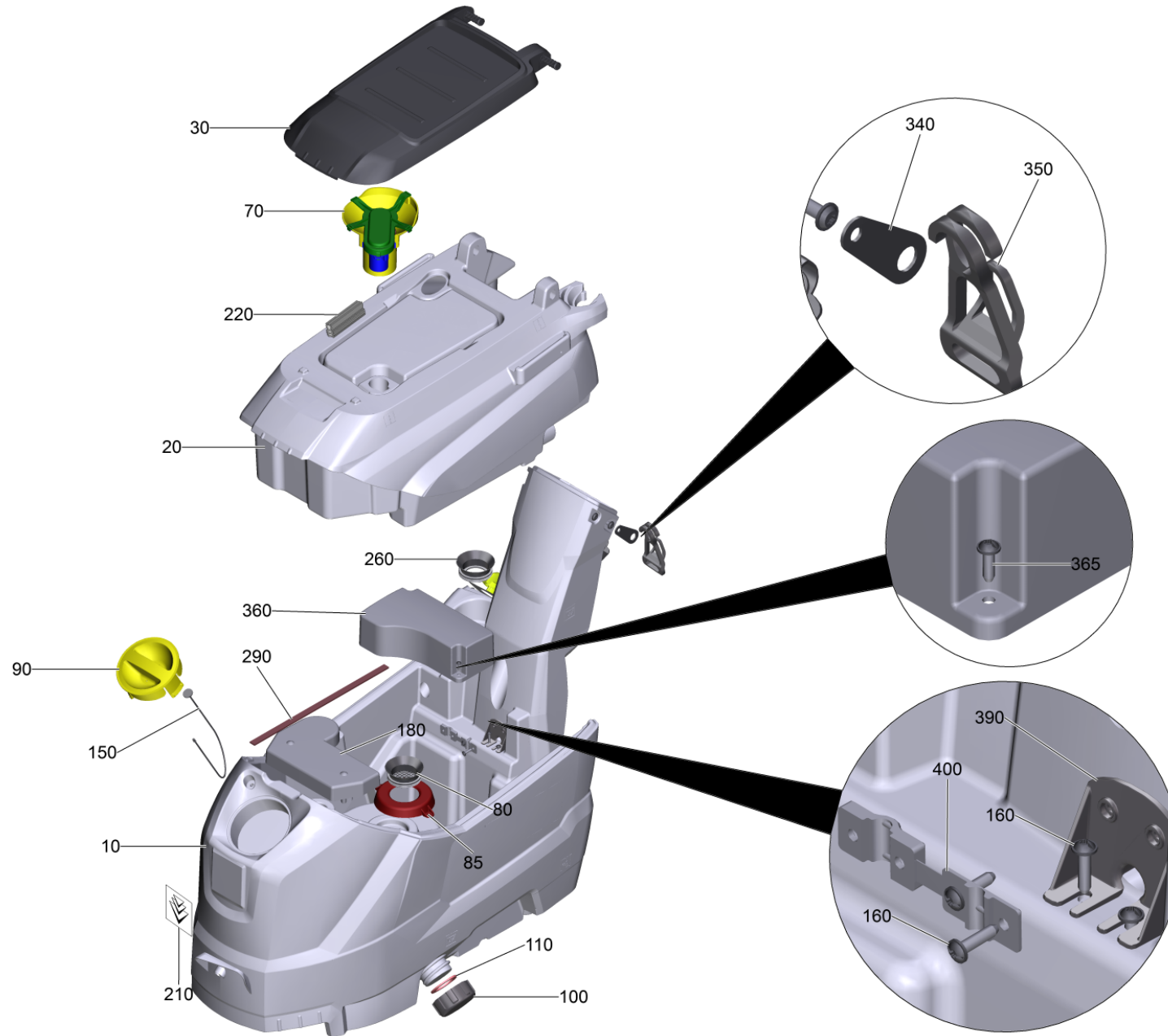


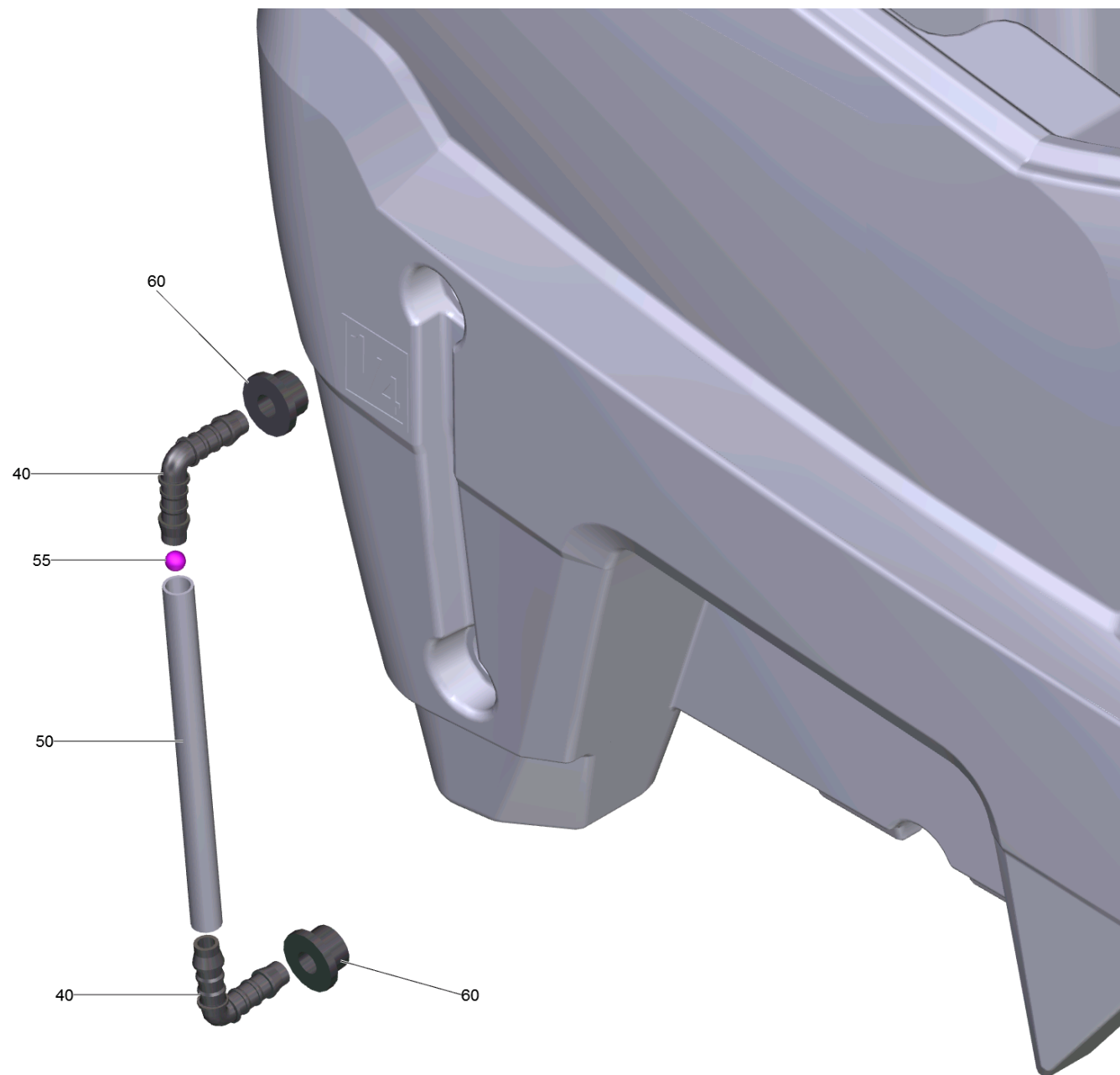
140 Drain hose with cover replacement (9.755-638.0)

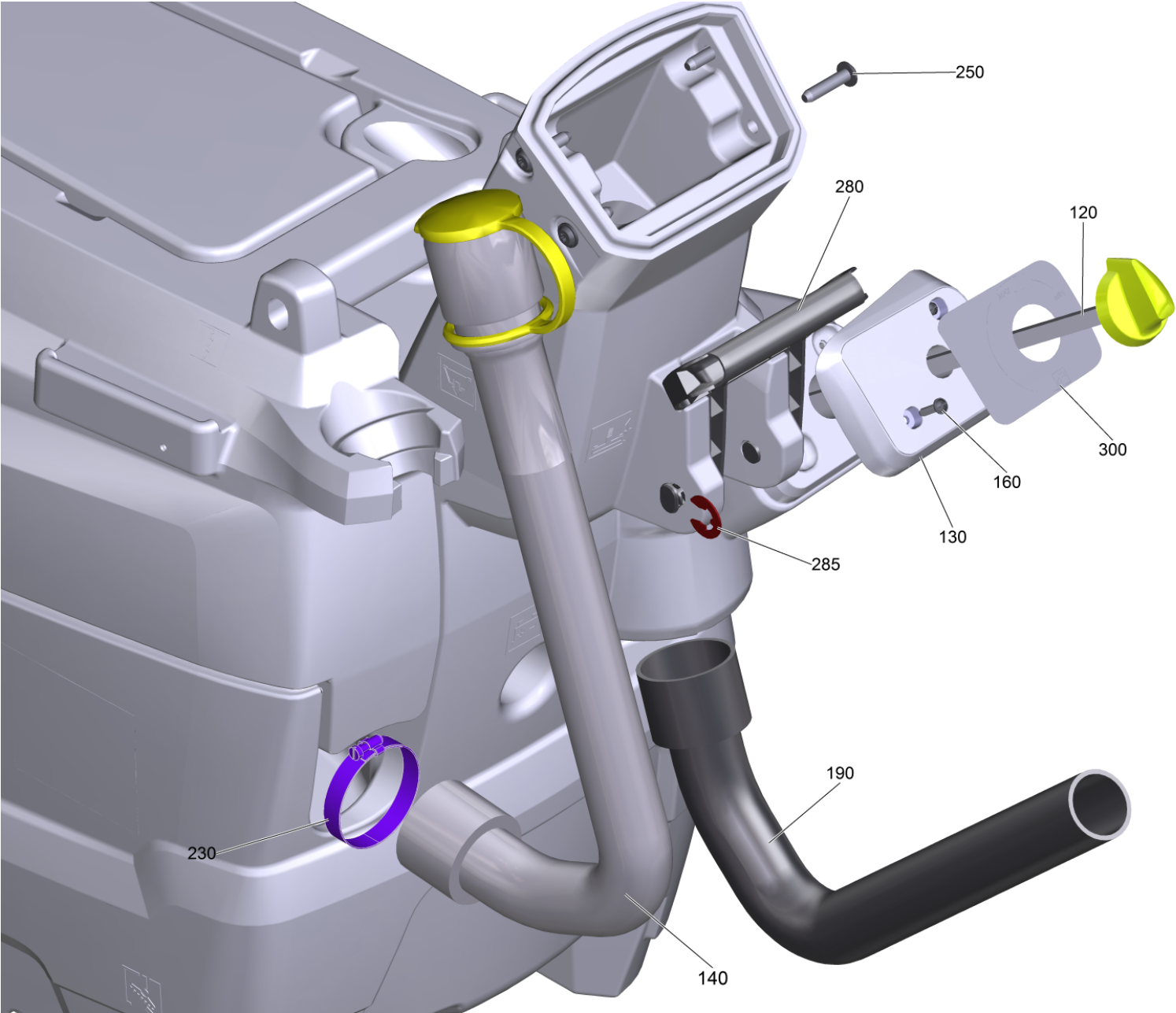
---

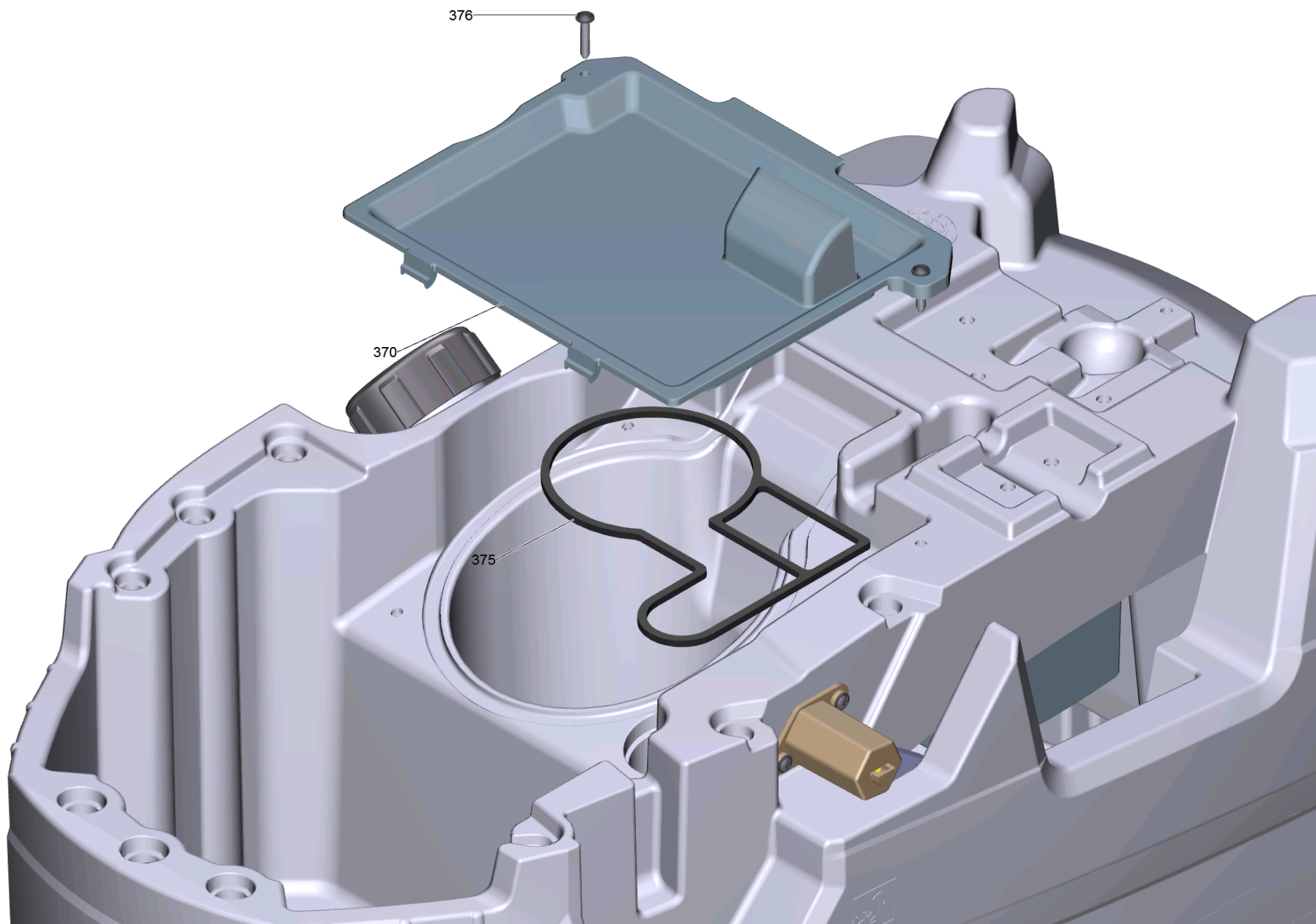
<b>POS</b>	<b>Article no.</b>	<b>Description</b>	<b>Quantity</b>	<b>Unit</b>
10	5.035-815.0	Cover drain hose oil resistant	1.000	ST

---

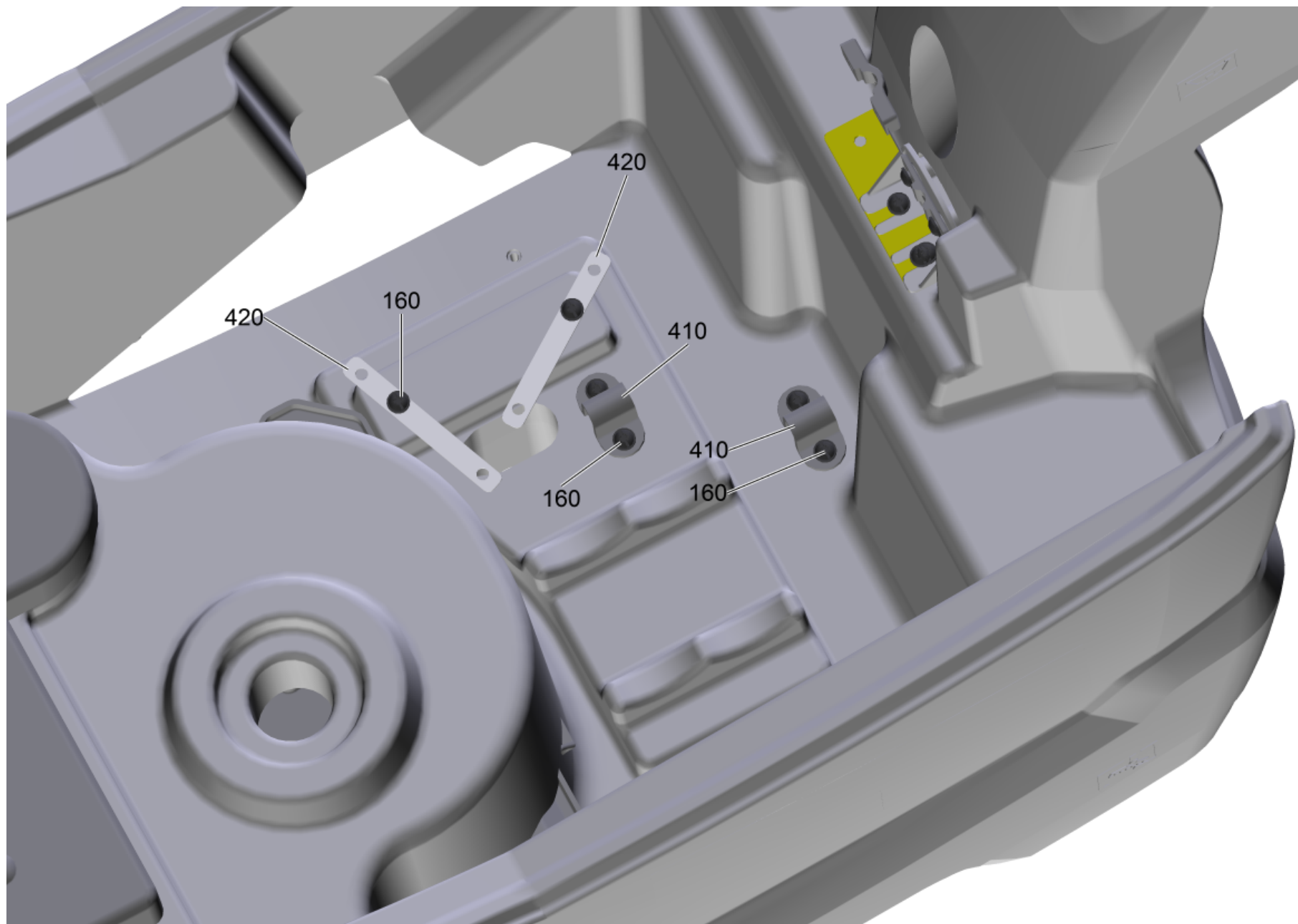












10 Tank complete BD 43/35 Ep

POS	Article no.	Description	Quantity	Unit
120		Ball valve solenoid valve complete B25 2	1.000	ST
400	5.036-126.0	Cable clamp D9	1.000	ST
410	5.036-140.0	Cable support	2.000	ST
330	9.763-086.0	Cable support plate	1.000	ST
420	5.036-141.0	Cable tape turbine	2.000	ST
30	9.755-479.0	Cap of a tank waste water replacement	1.000	ST
90	5.035-380.0	Cover fresh water filler neck	1.000	ST
100	9.763-007.0	Cover fresh water tank	1.000	ST
180	5.036-049.0	Covering cap air inlet	1.000	ST
130	9.755-480.0	Covering cap ball valve replacement	1.000	ST
360	4.036-099.0	Covering cap capacitor replacement	1.000	ST
370	5.036-047.0	Covering cap turbine	1.000	ST
140	9.755-638.0	Drain hose with cover replacement	1.000	ST
40	6.391-913.0	Elbow nipple	2.000	ST
85	6.036-001.0	Fixing seal	1.000	ST
70		Float regulator complete	1.000	ST
375	5.036-048.0	Form seal	1.000	ST
10	9.755-621.0	Fresh water tank replacement BD43/25Ep	1.000	ST
380	5.036-124.0	Holder air circulation	2.000	ST
230	6.388-713.0	Hose clip	1.000	ST
210	5.394-081.0	Label signet gel 78x86	1.000	ST
300	9.763-060.0	Label water regulation	1.000	ST
280	9.763-041.0	Lever suction beam retraction	1.000	ST
285	9.763-079.0	Lock washer	1.000	ST
150	5.035-358.0	Mounting rope cover fresh water tank	1.000	ST
340	9.763-131.0	Plate strain relief	1.000	ST
365	7.303-107.0	Screw 5x16 -10.9-P2R (K-In6Rd)	2.000	ST
160	7.303-108.0	Screw 5x20 -10.9-R2R (In6Rd)	8.000	ST
376	6.303-200.0	Screw 5x25-IN6RD	2.000	ST
250	6.303-315.0	Screw 8 x 35	4.000	ST
110	9.763-008.0	Seal fresh water discharge	1.000	ST
220	9.755-482.0	Sealing profile replacement	1.000	ST
290	9.755-483.0	Sealing tape cellularrubber replacement	1.000	ST

## 10 Tank complete BD 43/35 Ep

---

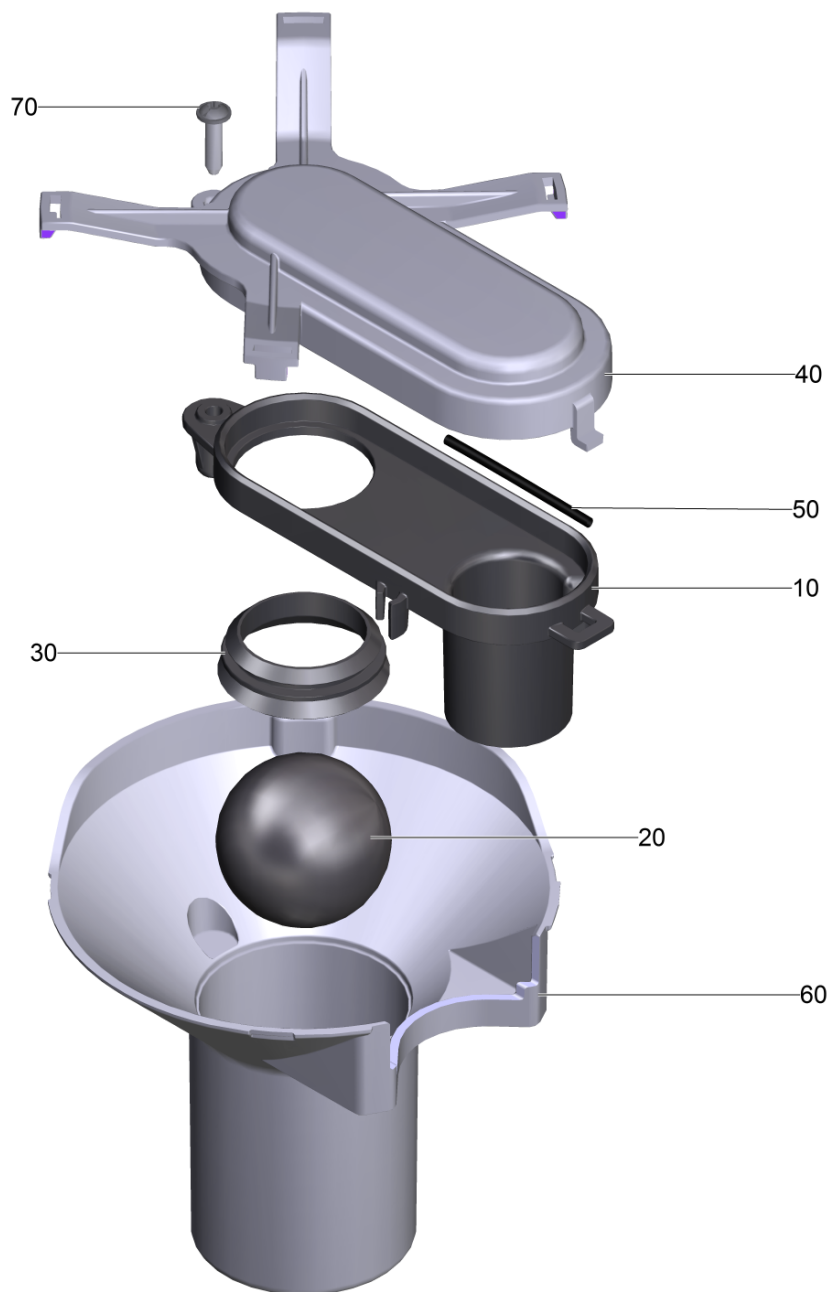
<b>POS</b>	<b>Article no.</b>	<b>Description</b>	<b>Quantity</b>	<b>Unit</b>
260	9.763-043.0	Seal suction bar air	1.000	ST
80	9.763-012.0	Seal turbine strainer	1.000	ST
50	9.763-121.0	Silicon hose level indicator	1.000	ST
55	6.035-006.0	Sphere level indicator	1.000	ST
390	5.036-125.0	Strain relief	1.000	ST
350	6.641-776.0	Strain relief	1.000	ST
190	9.763-037.0	Suction hose DN32	1.000	ST
20	4.036-117.0	Waste water tank for replacement	1.000	ST
60	5.035-608.0	Wire protecting sleeve	2.000	ST



30 Cap of a tank waste water replacement (9.755-479.0)

---

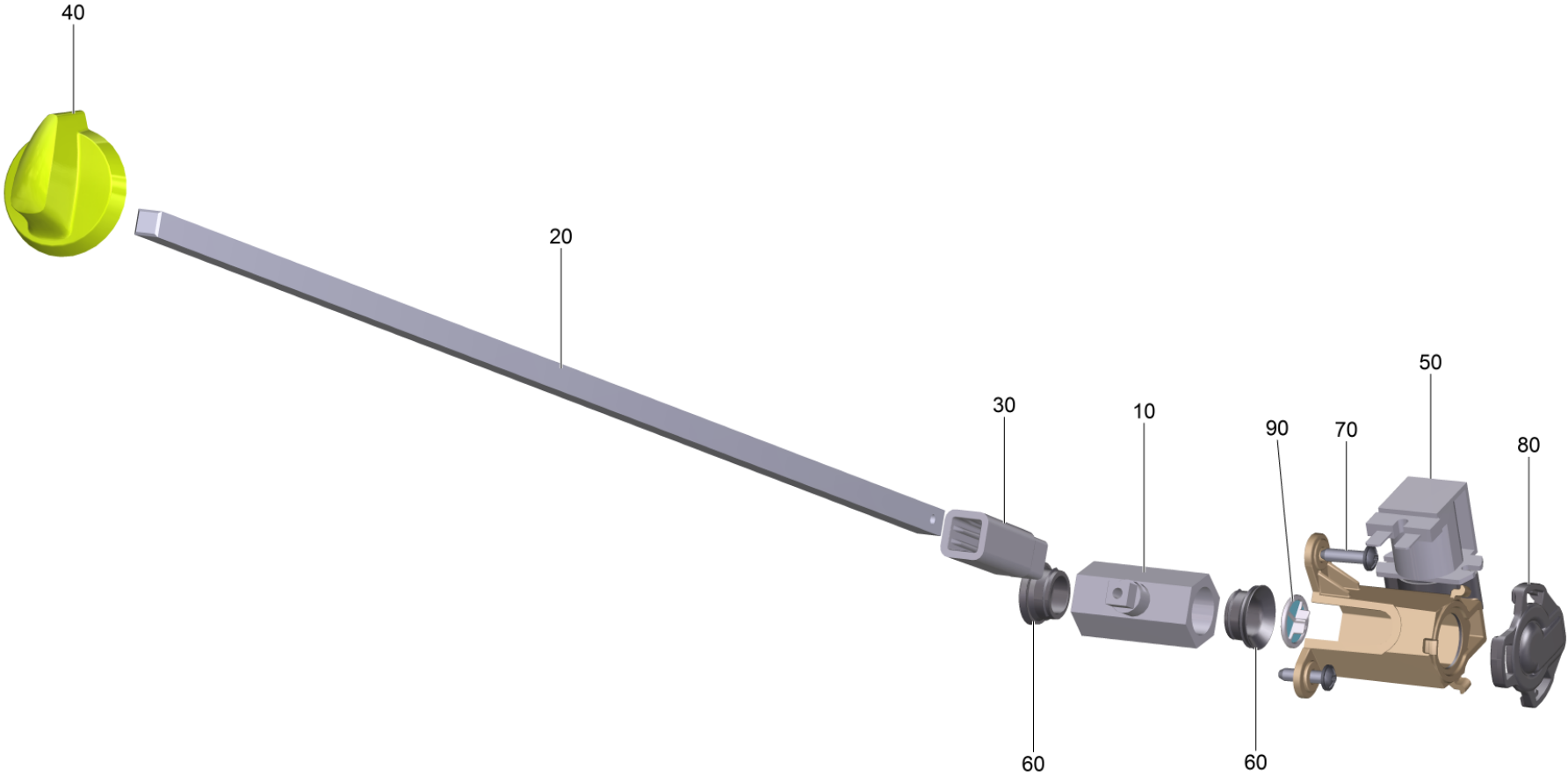
<b>POS</b>	<b>Article no.</b>	<b>Description</b>	<b>Quantity</b>	<b>Unit</b>
20	9.763-050.0	Sealing profile	1.000	ST



## 70 Float regulator complete

---

<b>POS</b>	<b>Article no.</b>	<b>Description</b>	<b>Quantity</b>	<b>Unit</b>
40	9.763-005.0	Cover float regulator	1.000	ST
60	9.763-047.0	Float cage	1.000	ST
20	9.763-333.0	Floater ball	1.000	ST
10	9.763-003.0	Float regulator bottom part	1.000	ST
70	7.303-108.0	Screw 5x20 -10.9-R2R (In6Rd)	1.000	ST
30	9.763-004.0	Seal float regulator	1.000	ST
50	9.763-044.0	Seal string cellular rubber float regula	1.000	ST

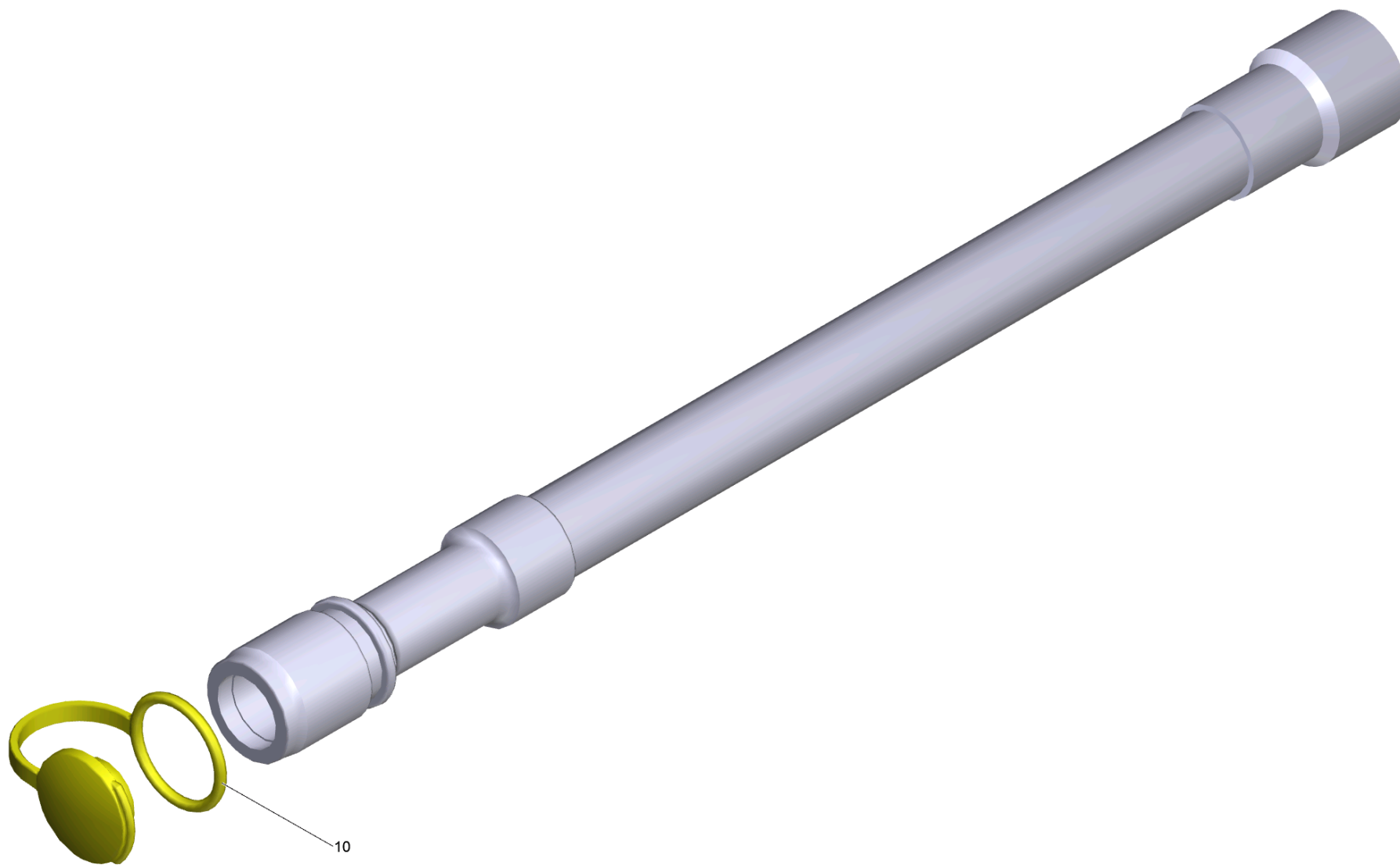




## 120 Ball valve solenoid valve complete B25 2

---

<b>POS</b>	<b>Article no.</b>	<b>Description</b>	<b>Quantity</b>	<b>Unit</b>
10	9.763-084.0	Ball valve G 1/2"	1.000	ST
20	9.763-069.0	Bar ball valve	1.000	ST
30	5.035-459.0	Coupler piece ball valve	1.000	ST
40	5.035-404.0	Handle	1.000	ST
70	7.303-108.0	Screw 5x20 -10.9-R2R (In6Rd)	2.000	ST
60	9.763-011.0	Seal ball valve	2.000	ST
80	5.037-512.0	Seal cover solenoid valve	1.000	ST
50	6.472-006.0	Solenoid valve mains	1.000	ST
90	5.037-511.0	Strainer solenoid valve	1.000	ST

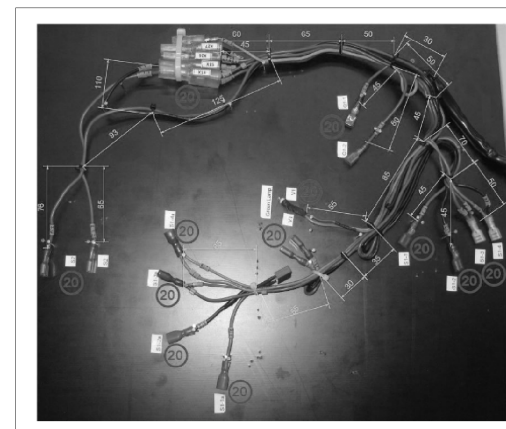
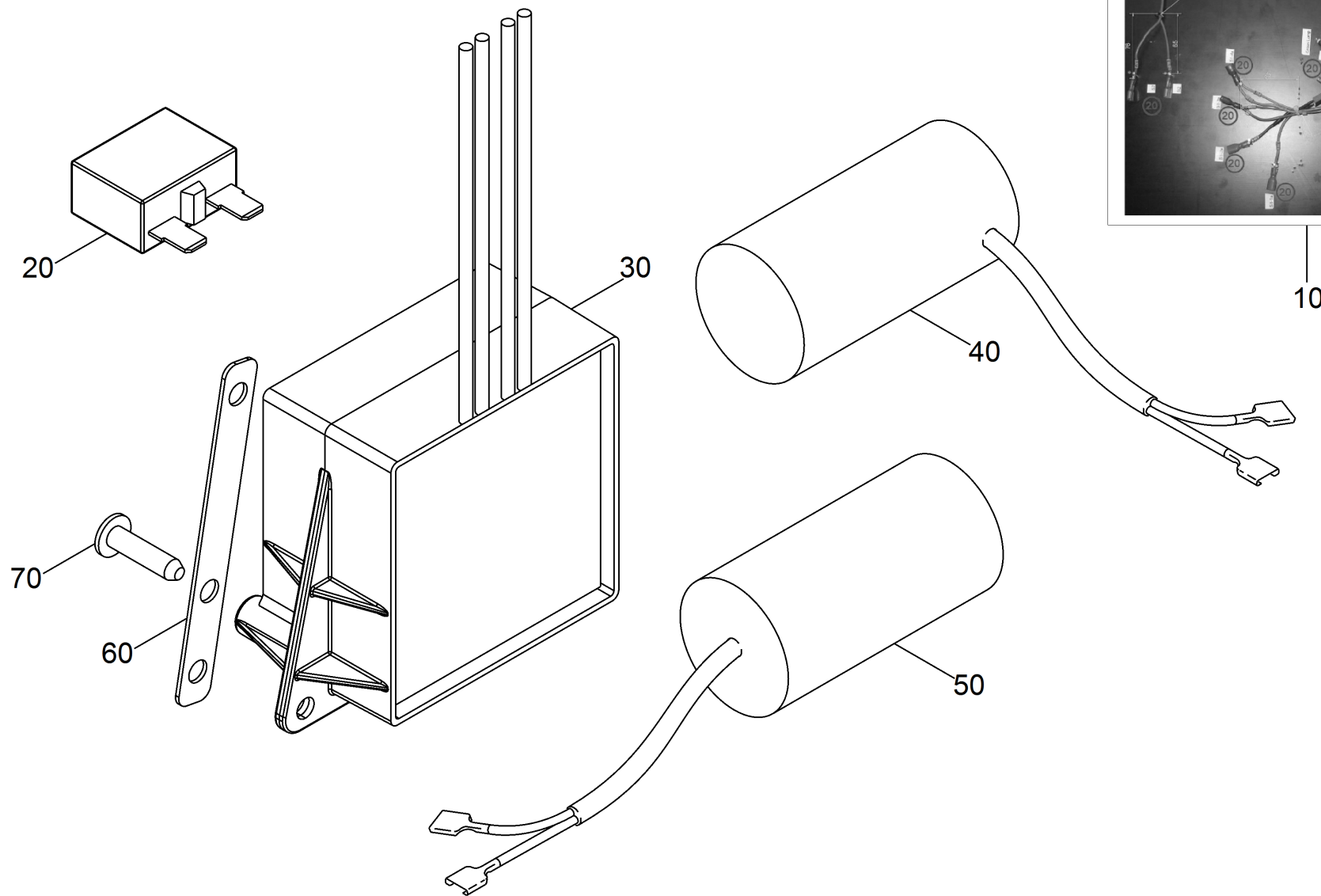


140 Drain hose with cover replacement (9.755-638.0)

---

<b>POS</b>	<b>Article no.</b>	<b>Description</b>	<b>Quantity</b>	<b>Unit</b>
10	5.035-815.0	Cover drain hose oil resistant	1.000	ST

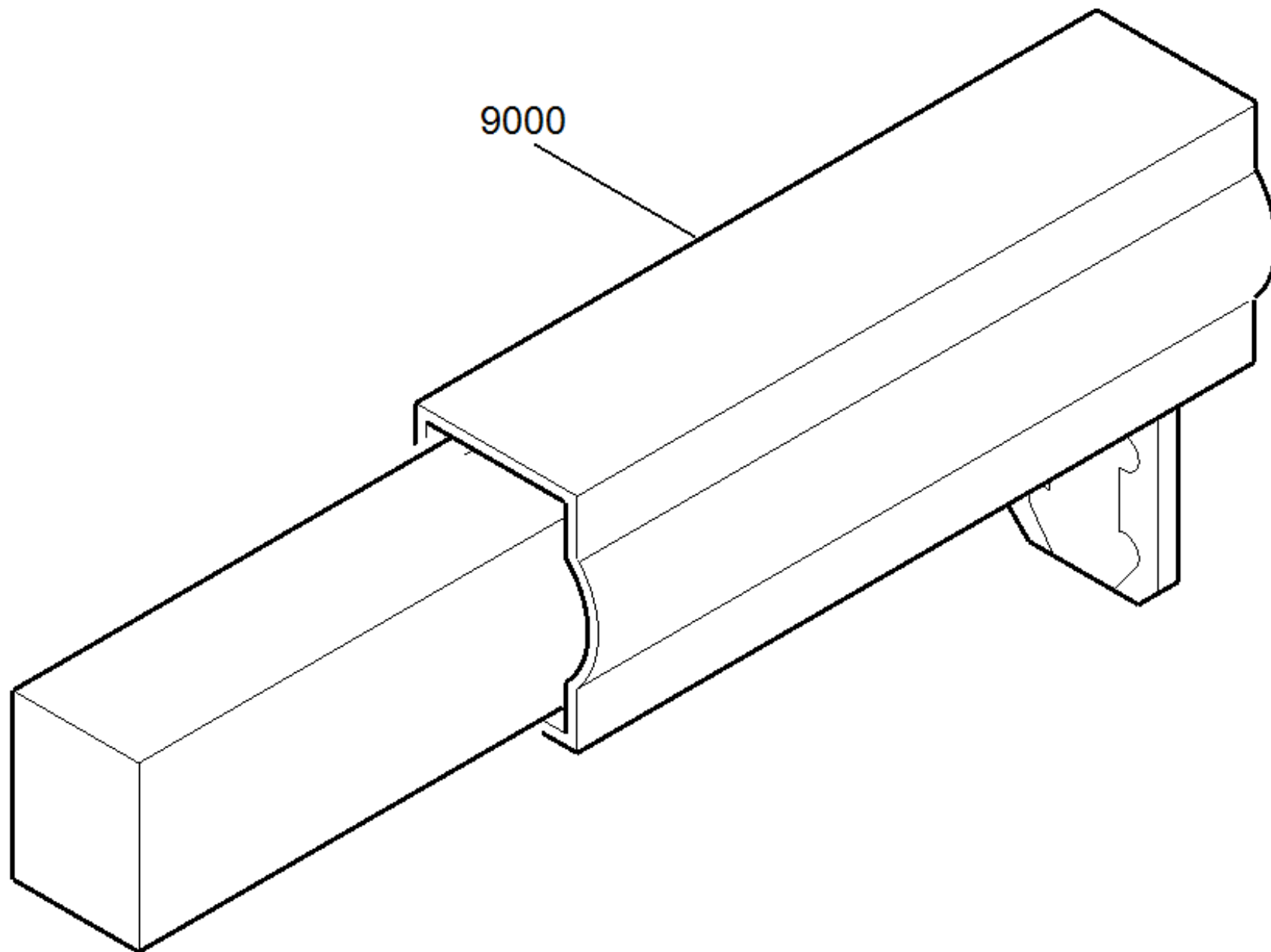
---



## 20 Electronics complete 230V

---

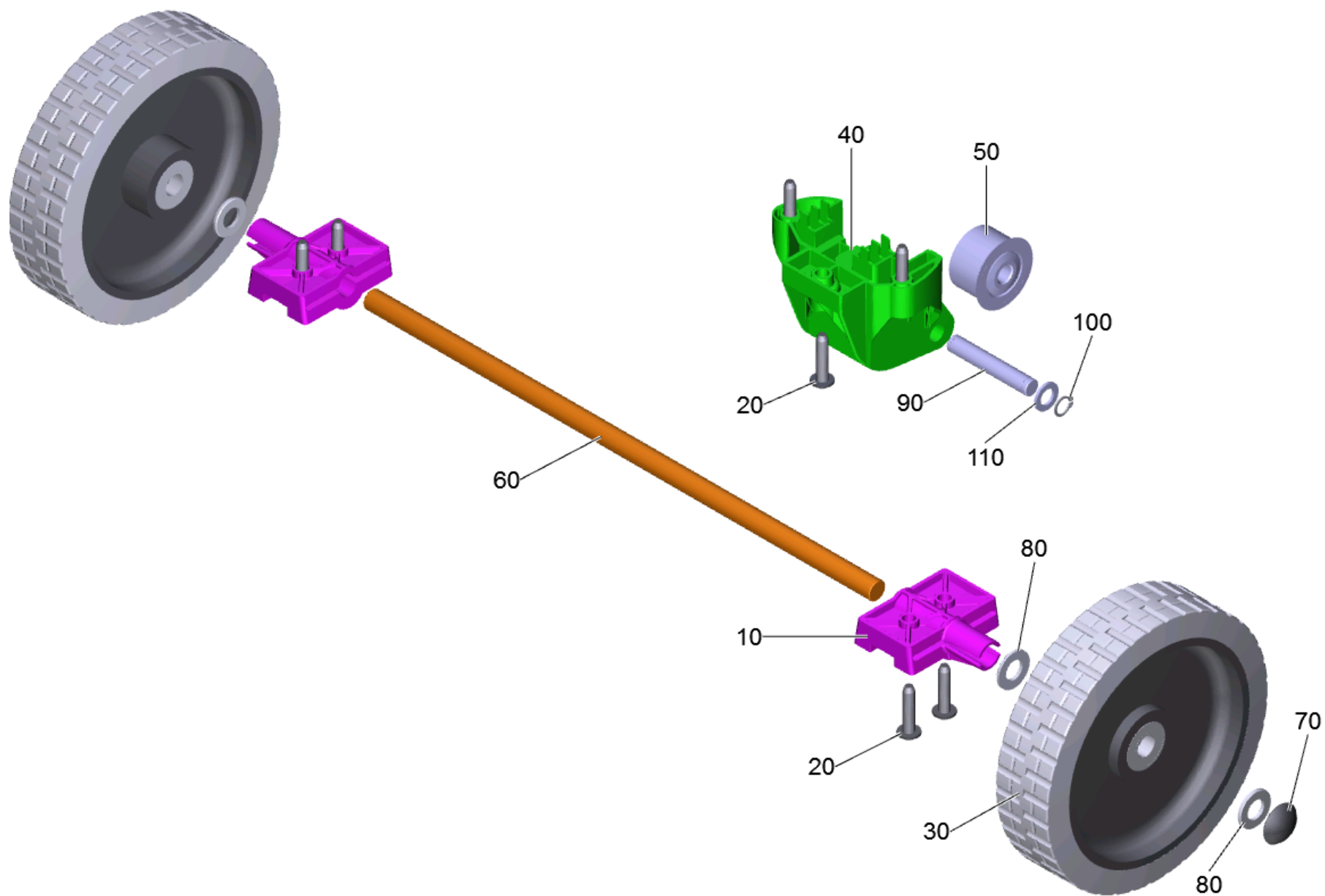
<b>POS</b>	<b>Article no.</b>	<b>Description</b>	<b>Quantity</b>	<b>Unit</b>
10	9.753-096.0	Cable harness inclusive power cable BD 4	1.000	ST
60	5.036-141.0	Cable tape turbine	2.000	ST
50	6.661-011.0	Capacitor	1.000	ST
40	6.661-010.0	Capacitor	1.000	ST
30	4.036-093.0	Electronics motor replacement 230V	1.000	ST
20	6.630-959.0	Motor protecting switch 8A	1.000	ST
70	7.303-108.0	Screw 5x20 -10.9-R2R (In6Rd)	2.000	ST



30 Turbine 2-level replacement Ep 230V (CCL (9.755-486.0))

---

<b>POS</b>	<b>Article no.</b>	<b>Description</b>	<b>Quantity</b>	<b>Unit</b>
9000	9.755-487.0	Carbon brush set CCL	1.000	ST

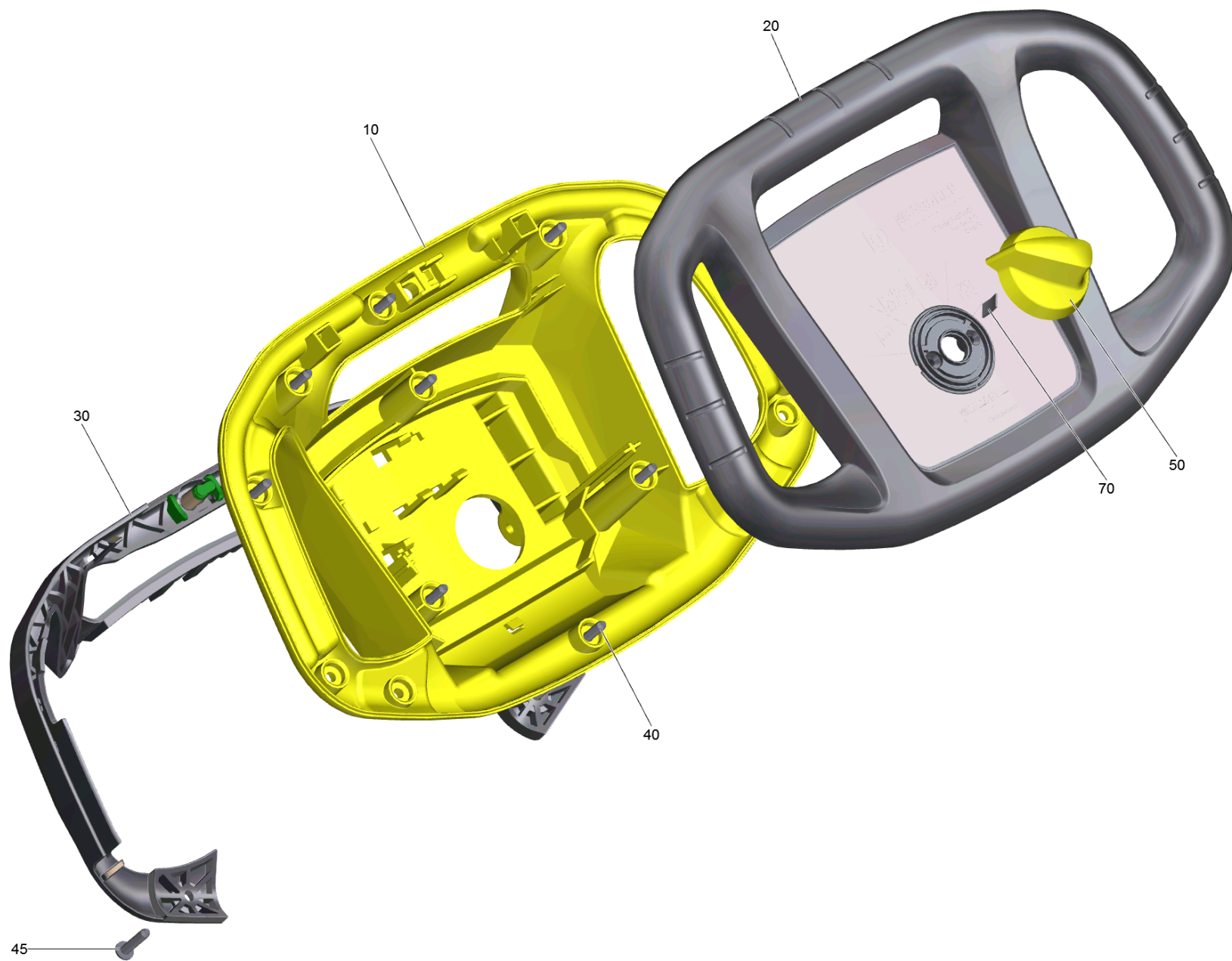




## 80 Carriage BD 43/35 C Classic

---

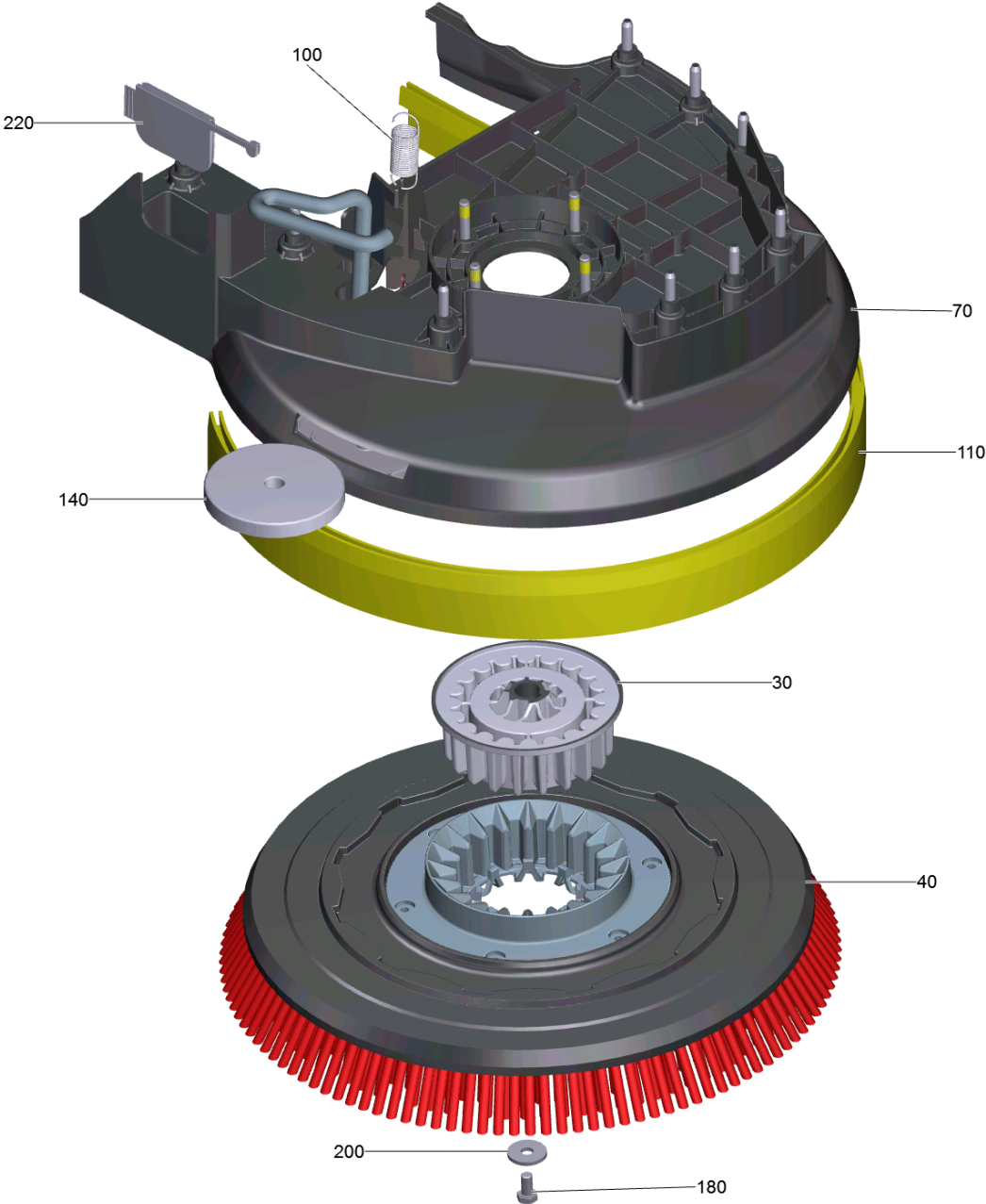
<b>POS</b>	<b>Article no.</b>	<b>Description</b>	<b>Quantity</b>	<b>Unit</b>
60	5.036-043.0	Axle D15	1.000	ST
90	9.763-006.0	Axle tipping roll	1.000	ST
10	9.763-015.0	Holder axle	2.000	ST
40	9.763-016.0	Holder transport wheel	1.000	ST
100	7.343-083.0	Locking ring 12x1 -FSt DIN 471	2.000	ST
70	6.343-240.0	Lock washer	2.000	ST
50	9.763-053.0	Roller with ball bearing	1.000	ST
20	6.303-315.0	Screw 8 x 35	7.000	ST
80	7.312-028.0	Washer 14-200HV-A3E ISO7090	4.000	ST
110	9.763-083.0	Washer D12	2.000	ST
30	9.763-081.0	Wheel D200	2.000	ST

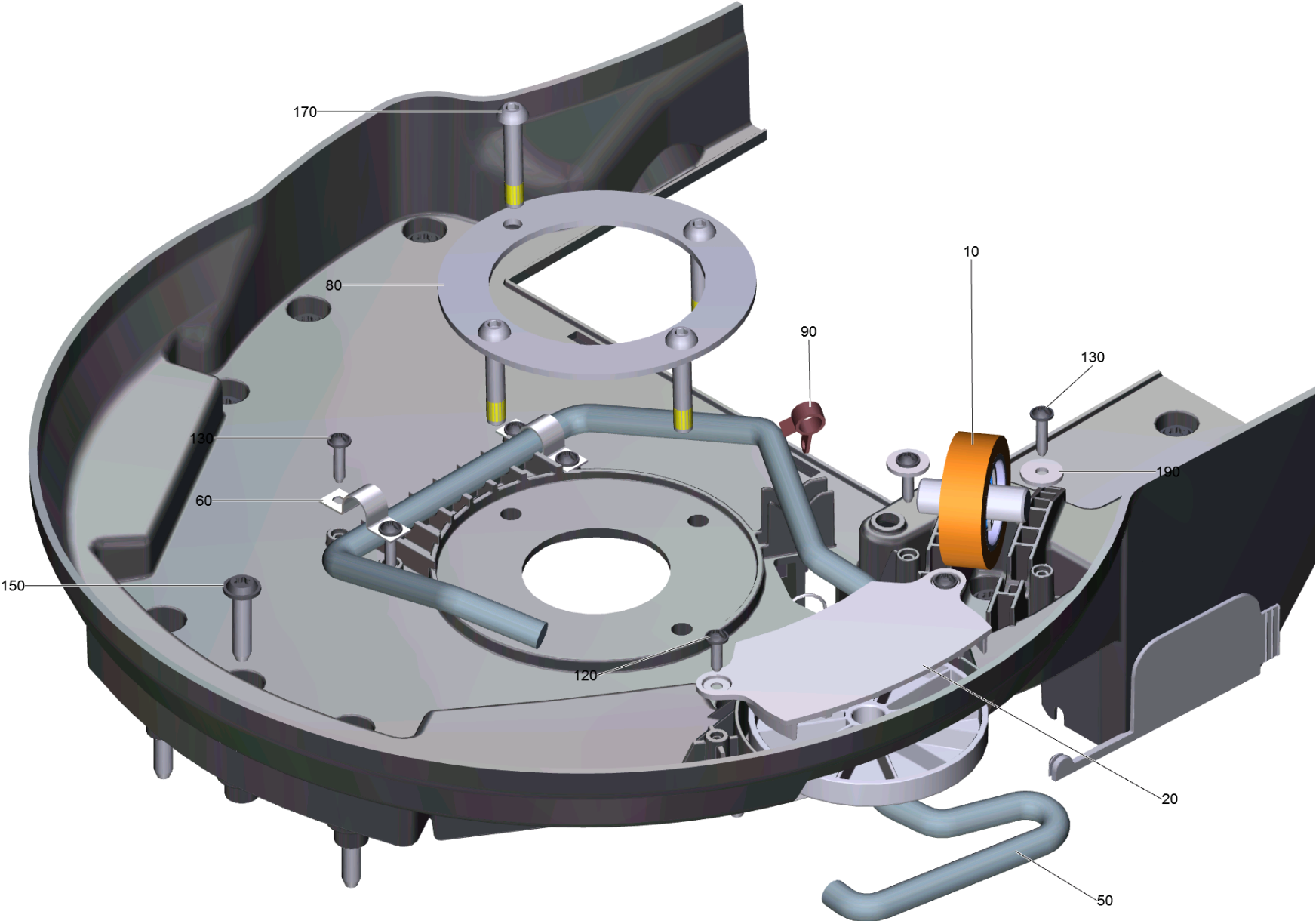


## 90 Control panel BD 43/35

---

<b>POS</b>	<b>Article no.</b>	<b>Description</b>	<b>Quantity</b>	<b>Unit</b>
10	9.755-490.0	Control panel bottom part replacement	1.000	ST
20	4.036-086.0	Control panel top part replacement BD43/	1.000	ST
30	9.763-029.0	Dead man's switch handhold	1.000	ST
50	5.321-738.0	Handhold operational concept	1.000	ST
40	7.303-108.0	Screw 5x20 -10.9-R2R (In6Rd)	9.000	ST
45	6.303-200.0	Screw 5x25-IN6RD	2.000	ST
70	6.313-014.0	Spring element	1.000	ST





100 Brush-head complete BD 43/35

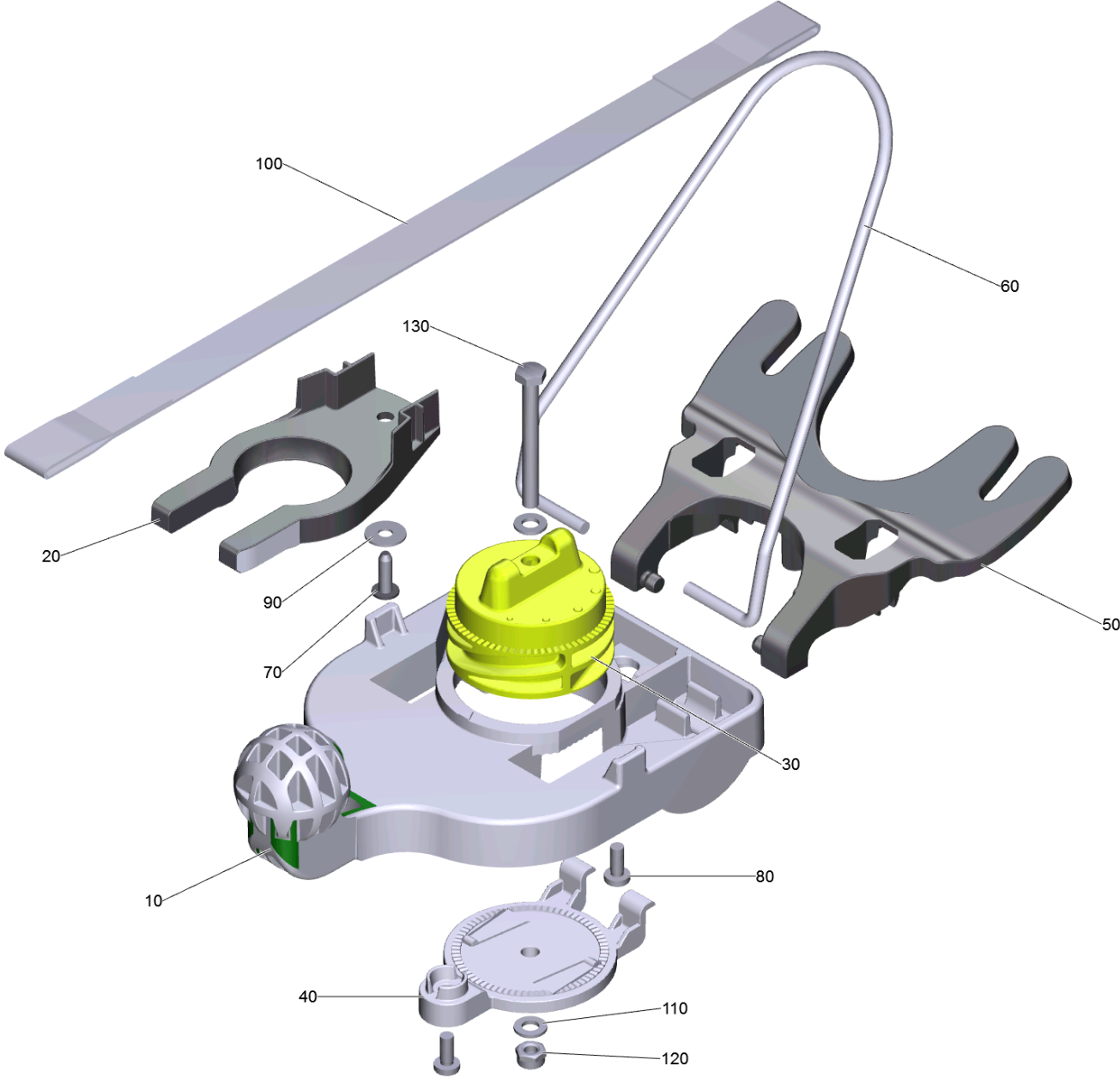
POS	Article no.	Description	Quantity	Unit	Foot note text
10	9.753-044.0	Brush contact pressure complete B 25	1.000	ST	
70	4.036-116.0	Covering cap brush-head for replacement	1.000	ST	FOR DEVICES WITH SOLENOID VALVE
70	4.036-087.0	Covering cap brush-head replacement BD43	1.000	ST	FOR MACHINES WITHOUT SOLENOID VALVE
220	9.763-455.0	Cover with seal BD Ep	1.000	ST	
140	5.035-499.0	Deflector roll	1.000	ST	
40	4.905-022.0	Disc brush complete red D43	1.000	ST	
100	9.763-076.0	Extension spring	1.000	ST	
20	5.035-498.0	Fixing deflector roll	1.000	ST	
180	7.304-395.0	Hexagonal head screw M8x16-8.8-A2E ISO	1.000	ST	
90	6.388-559.0	Hose clip	1.000	ST	
80	5.036-052.0	Locating ring motor	1.000	ST	
170	6.963-144.0	Pan head screw inside hexagon M8x20	4.000	ST	
60	6.373-689.0	Pipe clamp	2.000	ST	
30	5.122-014.0	Retainer transmission	1.000	ST	
50	9.763-023.0	Retaining bracket discharge	1.000	ST	
120	7.303-107.0	Screw 5x16 -10.9-P2R (K-In6Rd)	2.000	ST	
130	7.303-108.0	Screw 5x20 -10.9-R2R (In6Rd)	6.000	ST	
150	6.303-315.0	Screw 8 x 35	9.000	ST	
110	9.763-073.0	Splash-proof profile brush-head D43	1.000	ST	
190	7.312-267.0	Washer 5-A2 ISO 7094	2.000	ST	
200	7.312-268.0	Washer 8 -A2 ISO 7094	1.000	ST	

40 Disc brush complete red D43 (4.905-022.0)

---

<b>POS</b>	<b>Article no.</b>	<b>Description</b>	<b>Quantity</b>	<b>Unit</b>
2	5.033-002.0	Retainer brush SWS	1.000	ST

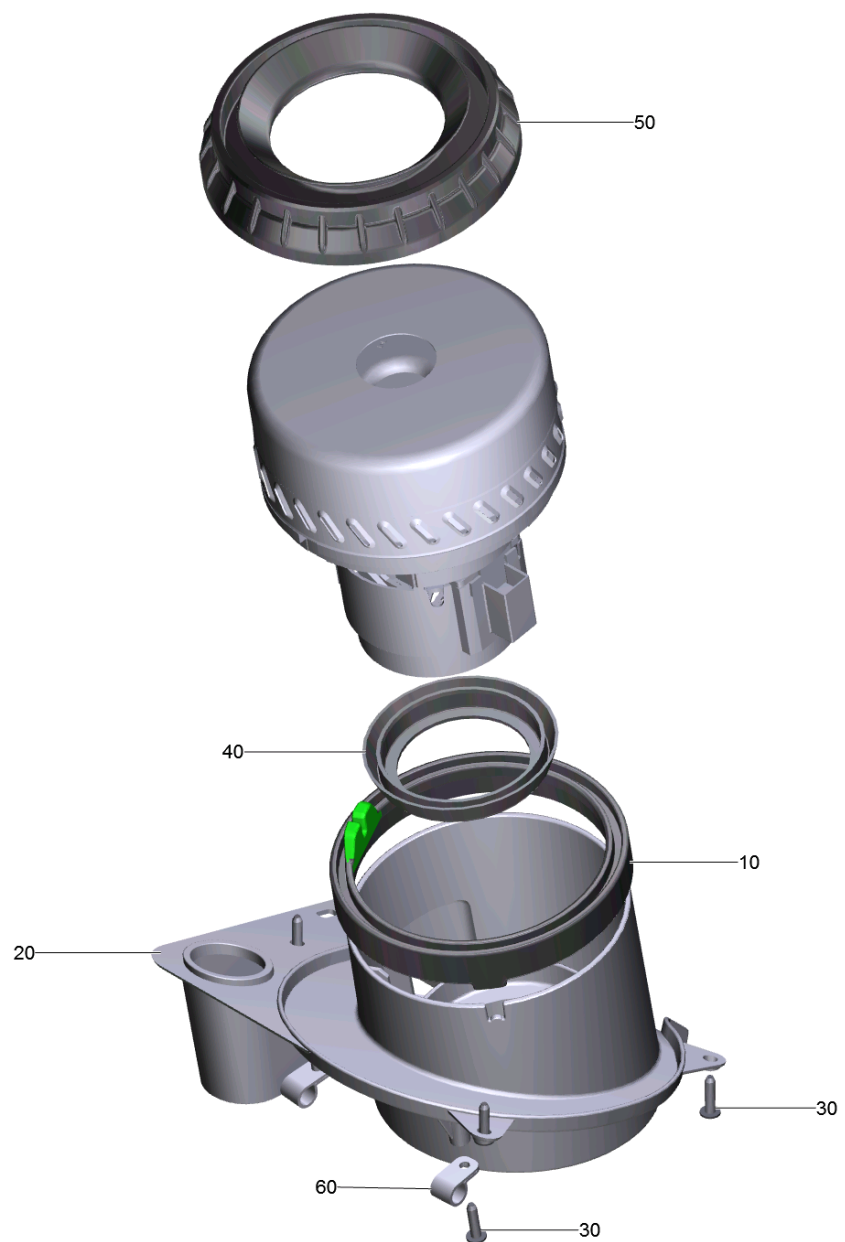
---





## 110 Suction bar lifting complete

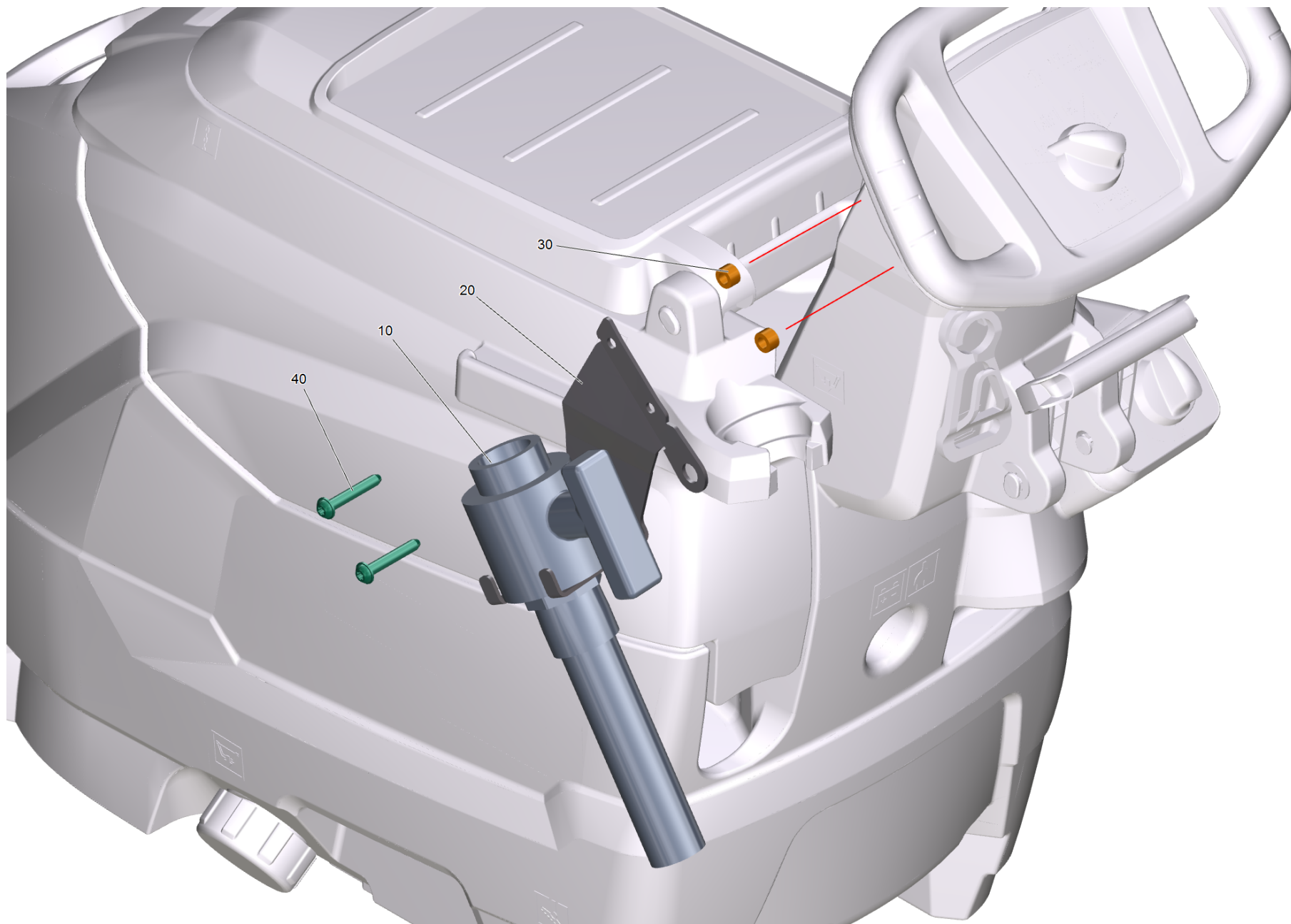
POS	Article no.	Description	Quantity	Unit
30	5.035-292.0	Adjusting knob suction bar toothing	1.000	ST
40	5.035-293.0	Covering cap suction bar toothing	1.000	ST
20	5.034-141.0	Fixing plate suction bar	1.000	ST
130	7.304-085.0	Hexagonal head screw M6x55-8.8-A2E ISO	1.000	ST
120	7.311-425.0	Hexagon nut M6 -04-A2E DIN 985	1.000	ST
10	5.035-354.0	Holder suction bar	1.000	ST
60	9.763-049.0	Retaining bracket suction beam retractio	1.000	ST
50	5.036-103.0	Rocker suction bar	1.000	ST
70	7.303-107.0	Screw 5x16 -10.9-P2R (K-In6Rd)	1.000	ST
80	7.306-181.0	Screw M 5x 12-A2-70 (In6Rd)	2.000	ST
100	9.763-055.0	Strap suction bar	1.000	ST
90	7.312-282.0	Washer 5 -A2 ISO 7093-1	1.000	ST
110	7.312-110.0	Washer A6,4 -200HV-GE3A/VL DIN 125	2.000	ST



## 120 Retainer turbine complete BD 43/35 C

---

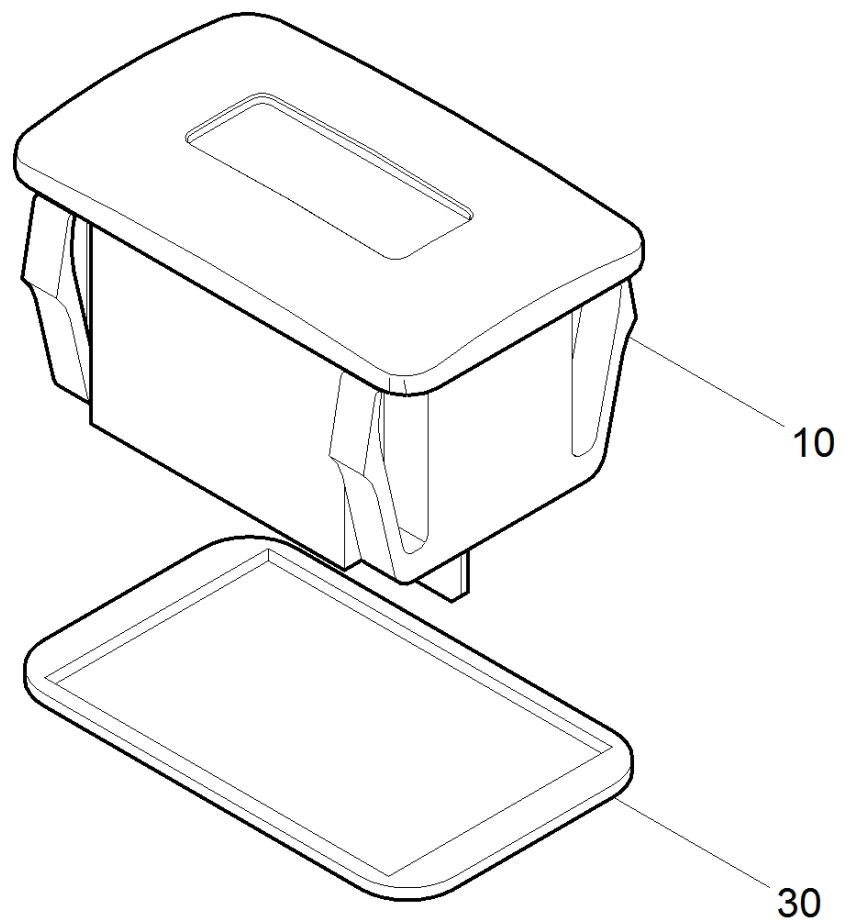
<b>POS</b>	<b>Article no.</b>	<b>Description</b>	<b>Quantity</b>	<b>Unit</b>
20	5.036-046.0	Air circulation turbine	1.000	ST
50	5.035-333.0	Bearing vacuum motor	1.000	ST
60	9.763-126.0	Cable clamp D9,5	2.000	ST
10	9.763-188.0	Joint ring turbine	1.000	ST
30	7.303-108.0	Screw 5x20 -10.9-R2R (In6Rd)	5.000	ST
40	5.363-395.0	Seal	1.000	ST



180 Add-on kit drain hose ball valve BD 43 (2.643-977.0)

---

<b>POS</b>	<b>Article no.</b>	<b>Description</b>	<b>Quantity</b>	<b>Unit</b>
20	5.036-215.0	Blank holder add-on kit drain hose BD 43	1.000	ST
10	9.753-072.0	Drain hose with ball valve	1.000	ST
40	7.303-275.0	Screw 8x50 -10.9-A3E (In6Rd)	2.000	ST
30	5.095-901.0	spacer	2.000	ST

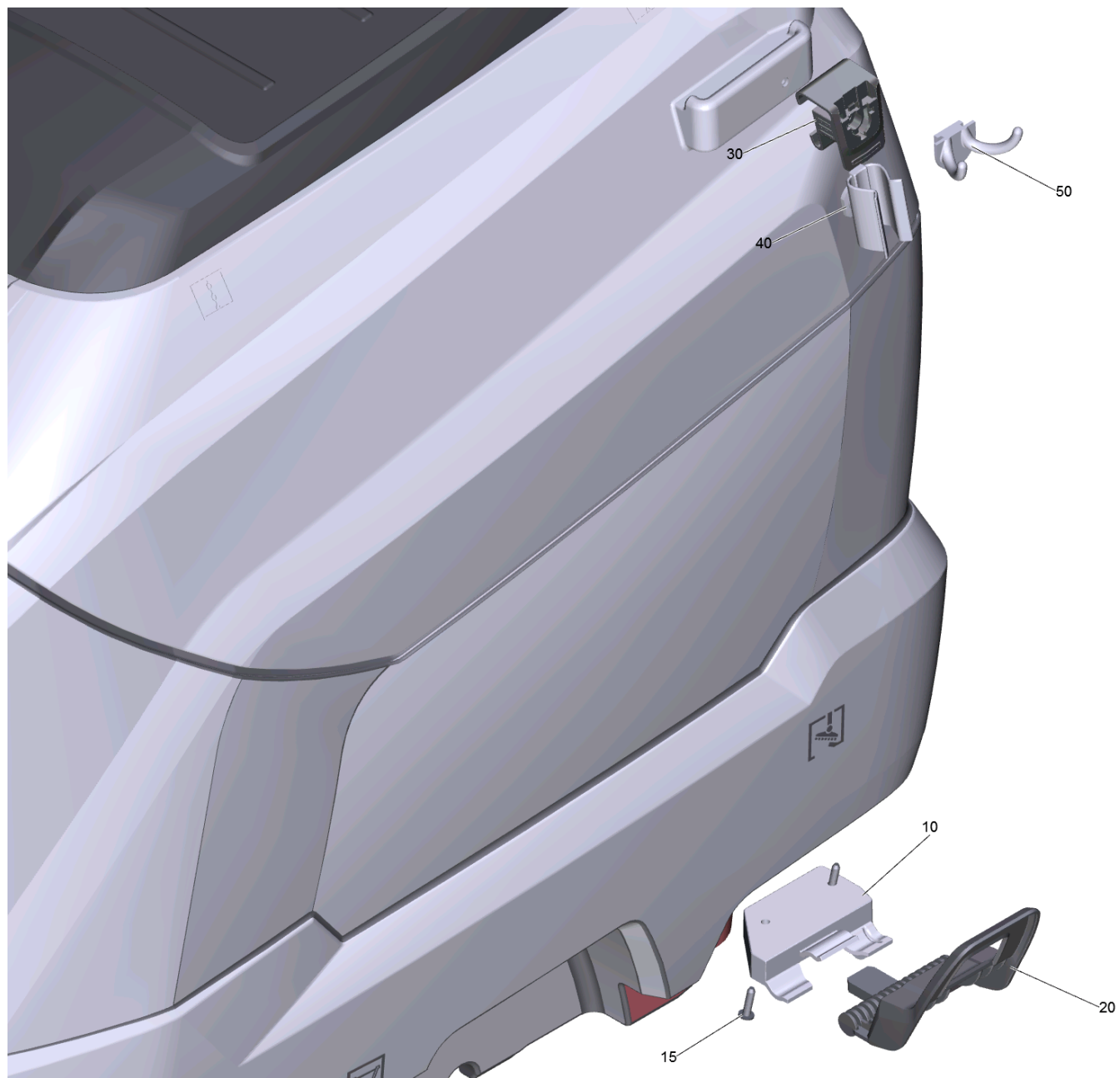


**DIN A 4**  
**100 %**

190 Add-on kit hour counter (2.643-724.0)

---

<b>POS</b>	<b>Article no.</b>	<b>Description</b>	<b>Quantity</b>	<b>Unit</b>
10	6.681-108.0	Hour counter 5-80V	1.000	ST
30	6.422-501.0	Seal hour counter	1.000	ST





9500 Mop holder complete (9.753-023.0)

---

<b>POS</b>	<b>Article no.</b>	<b>Description</b>	<b>Quantity</b>	<b>Unit</b>
30	5.035-488.0	Adapter Homebase	2.000	ST
50	6.980-077.0	Double hook	1.000	ST
10	9.763-074.0	Fixing mop support	1.000	ST
40	6.980-078.0	Holder handhold grey	1.000	ST
15	6.303-200.0	Screw 5x25-IN6RD	3.000	ST
20	9.763-133.0	Support mop	1.000	ST