

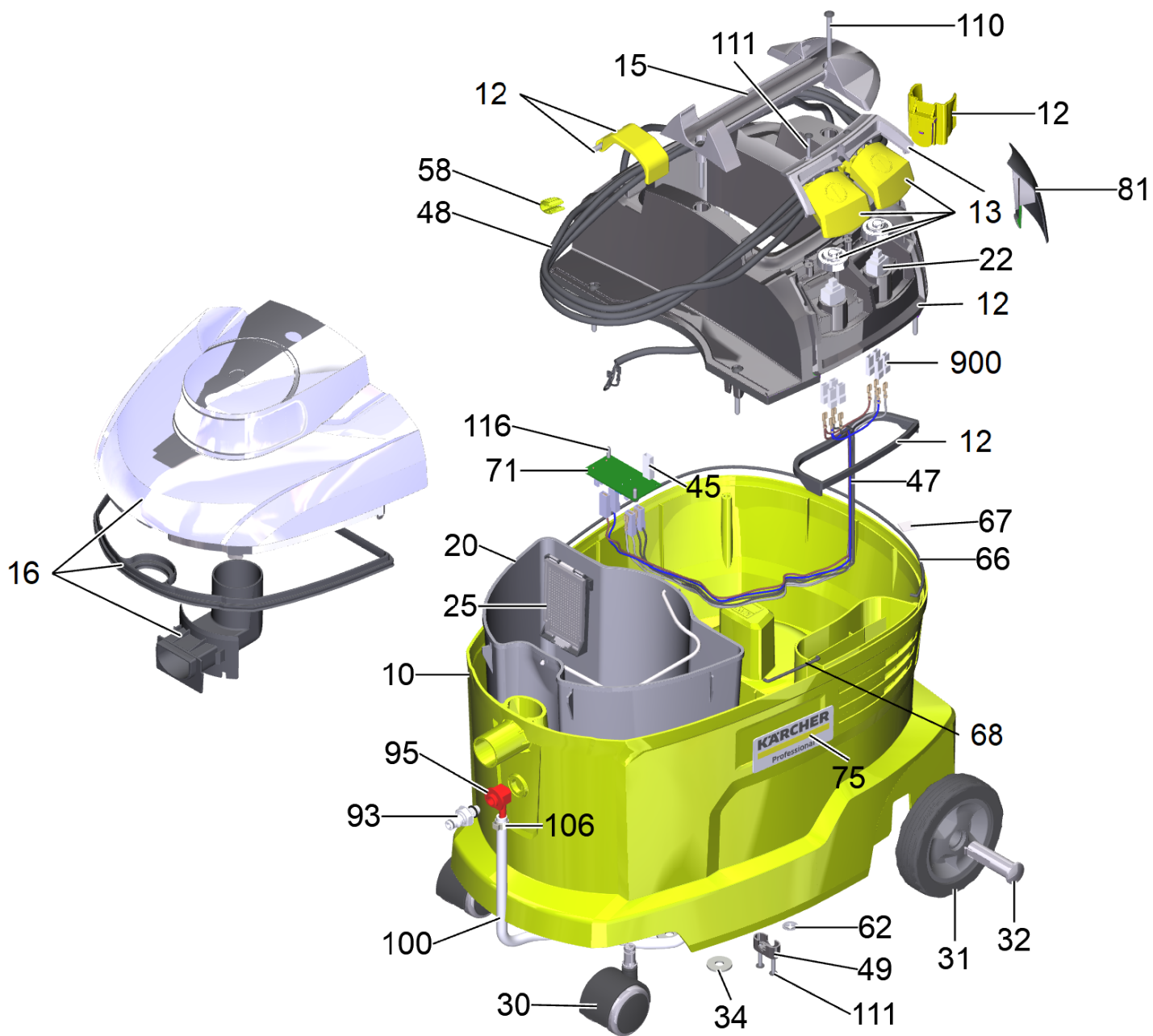
## **Spare parts list**

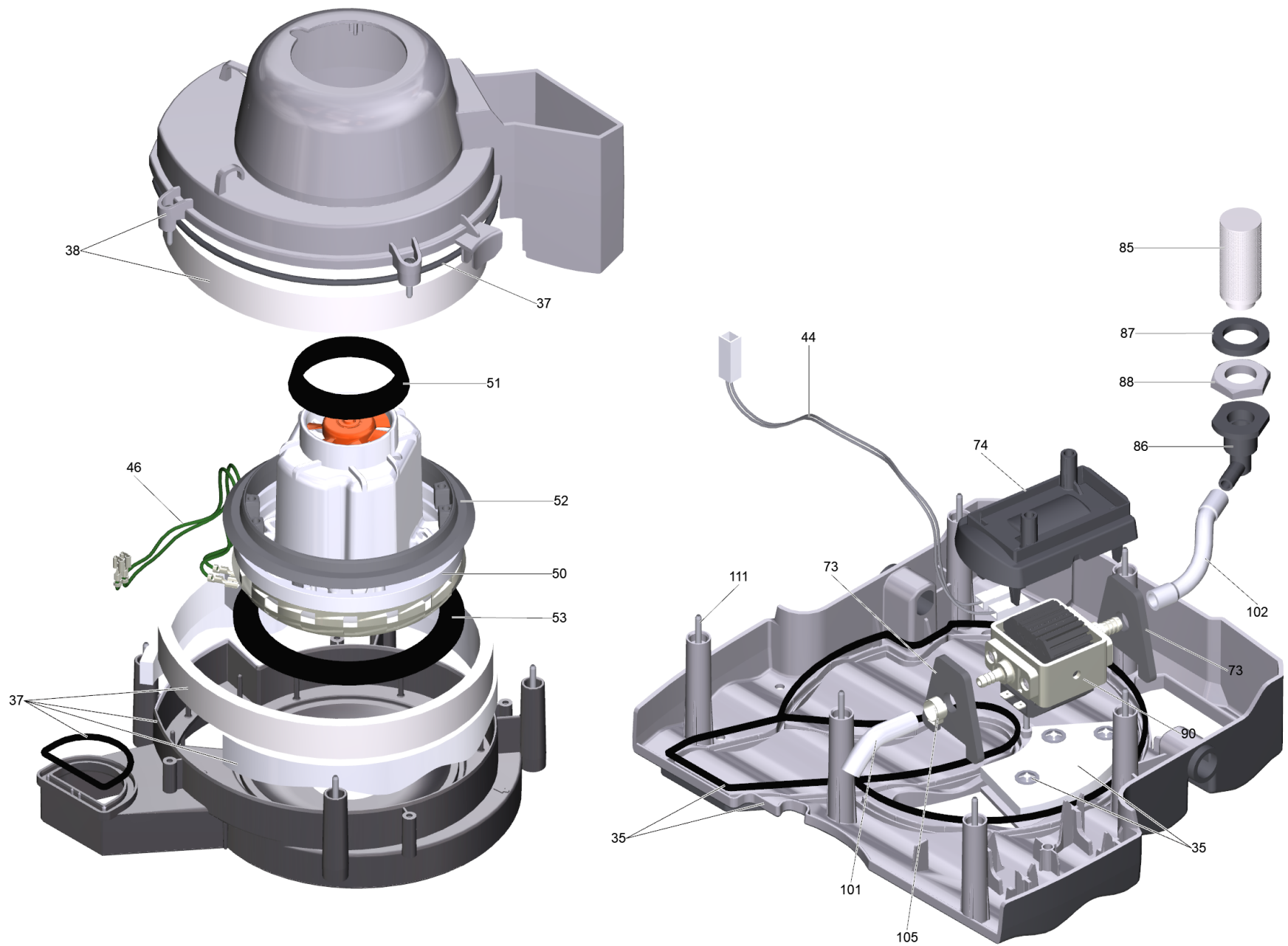
(1.100-241.0) Puzzi 8/1 Adv \*EU

## Table of contents

---

Puzzi 8/1 Adv *EU (1.100-241.0)	3
12 Cover complete Puzzi 8/1 C (4.069-035.0)	7
13 Pushbutton complete only for replacement (4.324-028.0)	9
16 Cover complete only for replacement (4.064-006.0)	11
35 Frame cpl. (4.069-066.0)	13
37 Air circulation cpl. (4.069-067.0)	15
90 Pump for replacement 230V-GOTEC (4.610-105.0)	17
93 Nipple complete (4.409-001.0)	19
130 Spray/suction hose Puzzi DN32 2.5m (6.394-826.0)	21
1 Hose coupling complete for replacement (4.446-023.0)	23
131 Nozzle packaged Puzzi (4.130-063.0)	24
137 Set carpet nozzle complete 240mm (4.130-007.0)	26
1 Spray/suction tube Puzzi DN32 0.7m (4.025-004.0)	28
2 D handle Spray/suction tube Puzzi DN32 (4.321-001.0)	30
3 Carpet nozzle flexible 240mm verpackt (4.130-008.0)	32
10 Nozzles set for floor nozzle (2.884-546.0)	34
140 Spray/suction gun Puzzi DN32 (4.130-000.0)	35
2 Valve complete (4.580-002.3)	37



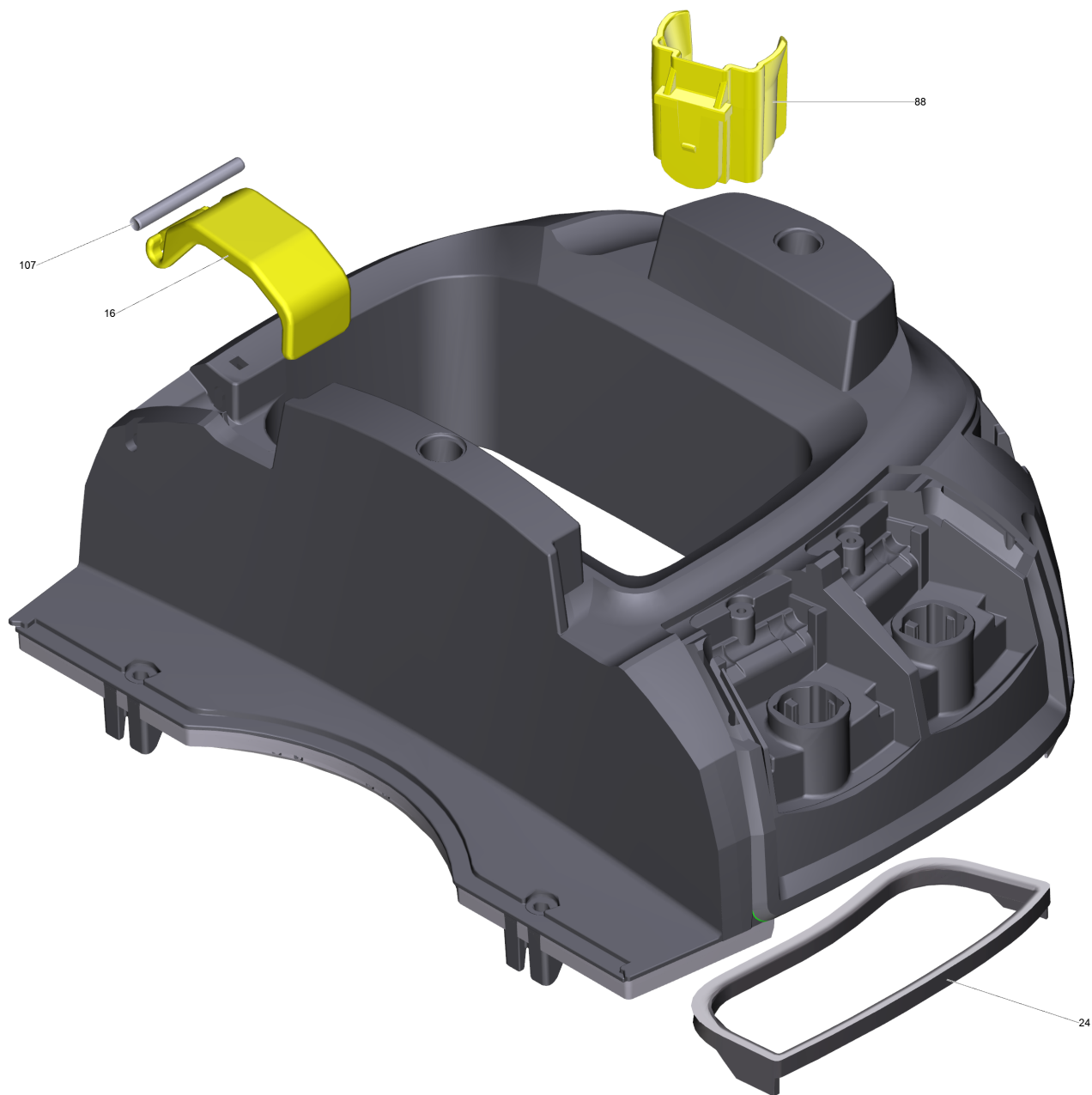


Puzzi 8/1 Adv \*EU (1.100-241.0)

POS	Article no.	Description	Quantity	Unit
10	4.069-072.0	Housing complete for replacement Puzzi 8/1	1	PC
12	4.069-035.0	Cover complete Puzzi 8/1 C	1	PC
13	4.324-028.0	Pushbutton complete only for replacement	1	PC
15	5.321-853.3	Handhold	1	PC
16	4.064-006.0	Cover complete only for replacement	1	PC
20	4.069-064.0	Tank complete	1	PC
22	6.630-032.0	Switch	2	PC
25	4.069-065.0	Strainer cpl.	1	PC
30	6.435-707.0	Castor	2	PC
31	5.515-023.0	Wheel D120	2	PC
32	5.317-789.0	Bolt	2	PC
34	5.363-397.0	Joint ring	2	PC
35	4.069-066.0	Frame cpl.	1	PC
37	4.069-067.0	Air circulation cpl.	1	PC
38	4.069-068.0	Covering cap motor cpl.	1	PC
44	6.651-768.0	Cable pump electronics	1	PC
45	6.647-762.0	Insulation housing	1	PC
46	6.651-892.0	Cable turbine Puzzi 8/1	2	PC
47	4.839-382.3	Electrical small parts Puzzi 8/1 C	1	PC
48	6.647-263.3	Power cable 7,5m PVC *EU	1	PC
49	5.034-505.0	Retaining bracket cable	1	PC
50	6.490-245.0	Blower motor 230V	1	PC
51	5.363-735.0	Seal vacuum motor above	1	PC
52	5.363-845.0	Seal vacuum motor center	1	PC
53	5.363-256.0	Seal bottom	1	PC
58	5.033-928.0	Plug fixing RAL 1018	1	PC
62	6.343-145.0	Lock washer 5	1	PC
66	5.363-848.0	Seal string cellular rubber D3, 570mm	1	PC
67	5.363-719.0	Seal	1	PC
68	5.363-849.0	Seal string cellular rubber D3	1	PC
71	4.682-103.0	Electronics only for replacement	1	PC
73	4.610-106.0	Bearing for replacement	2	PC
74	5.031-620.0	Holder pump	1	PC

Puzzi 8/1 Adv \*EU (1.100-241.0)

POS	Article no.	Description	Quantity	Unit
75	5.385-512.3	Label logo glued L Professional	2	PC
81	5.069-246.3	Covering cap cover	1	PC
85	6.414-027.0	Filter	1	PC
86	5.443-246.0	Hose stem	1	PC
87	5.363-108.0	Joint ring	1	PC
88	6.310-004.0	Hexagon nut G 1/2"	1	PC
90	4.610-105.0	Pump for replacement 230V-GOTEC	1	PC
93	4.409-001.0	Nipple complete	1	PC
95	5.443-437.0	Hose stem	1	PC
100	5.443-673.0	Hose DN 6,7	1	PC
101	5.443-669.0	Insulating hose	1	PC
102	5.442-002.0	Hose 95 mm	1	PC
105	6.388-701.0	Hose clip with insert 13,3	1	PC
106	6.389-884.0	Hose clip 11,8	1	PC
110	7.303-111.0	Screw 5x50 -10.9-R2R (K-In6Rd)	6	PC
111	7.303-084.0	Screw 4x25 -10.9-R2R (K-In6Rd)	20	PC
116	7.303-095.0	Screw 4x12-ST-10.9-R2R (IN6RD)	2	PC
130	6.394-826.0	Spray/suction hose Puzzi DN32 2.5m	1	PC
131	4.130-063.0	Nozzle packaged Puzzi	1	PC
137	4.130-007.0	Set carpet nozzle complete 240mm	1	PC
140	4.130-000.0	Spray/suction gun Puzzi DN32	1	PC
900	4.101-150.0	Spare parts set housing push-in sleeve 8x	1	PC

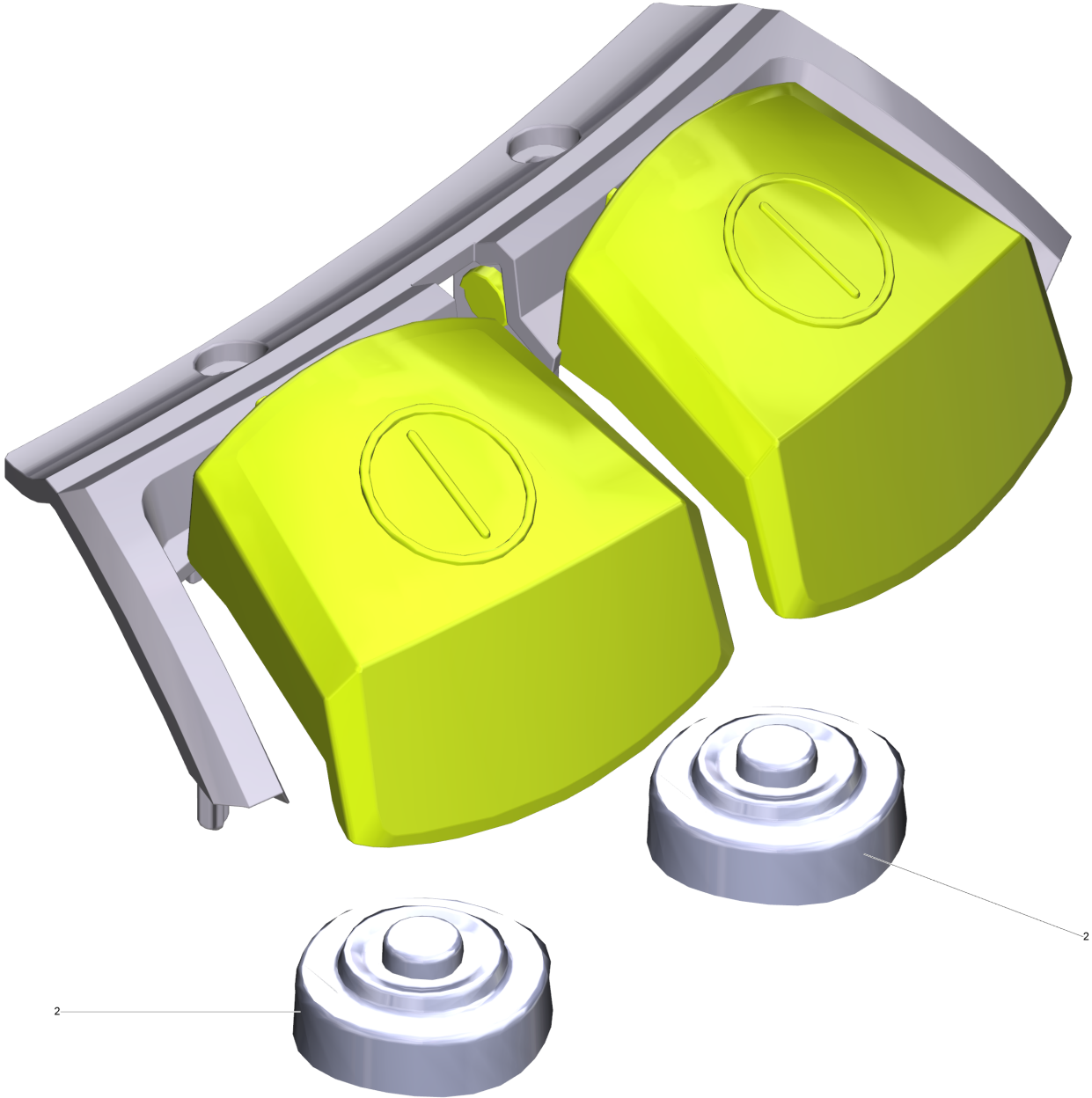


12 Cover complete Puzzi 8/1 C (4.069-035.0)

---

<b>POS</b>	<b>Article no.</b>	<b>Description</b>	<b>Quantity</b>	<b>Unit</b>
16	5.037-200.0	Hook yellow	1	PC
24	6.368-413.0	Seal switch	1	PC
88	5.033-990.0	Clip Puzzi 10/1, Puzzi 10/2	1	PC
107	7.314-040.0	Straight pin 5m6x50-A1 ISO 2338	1	PC



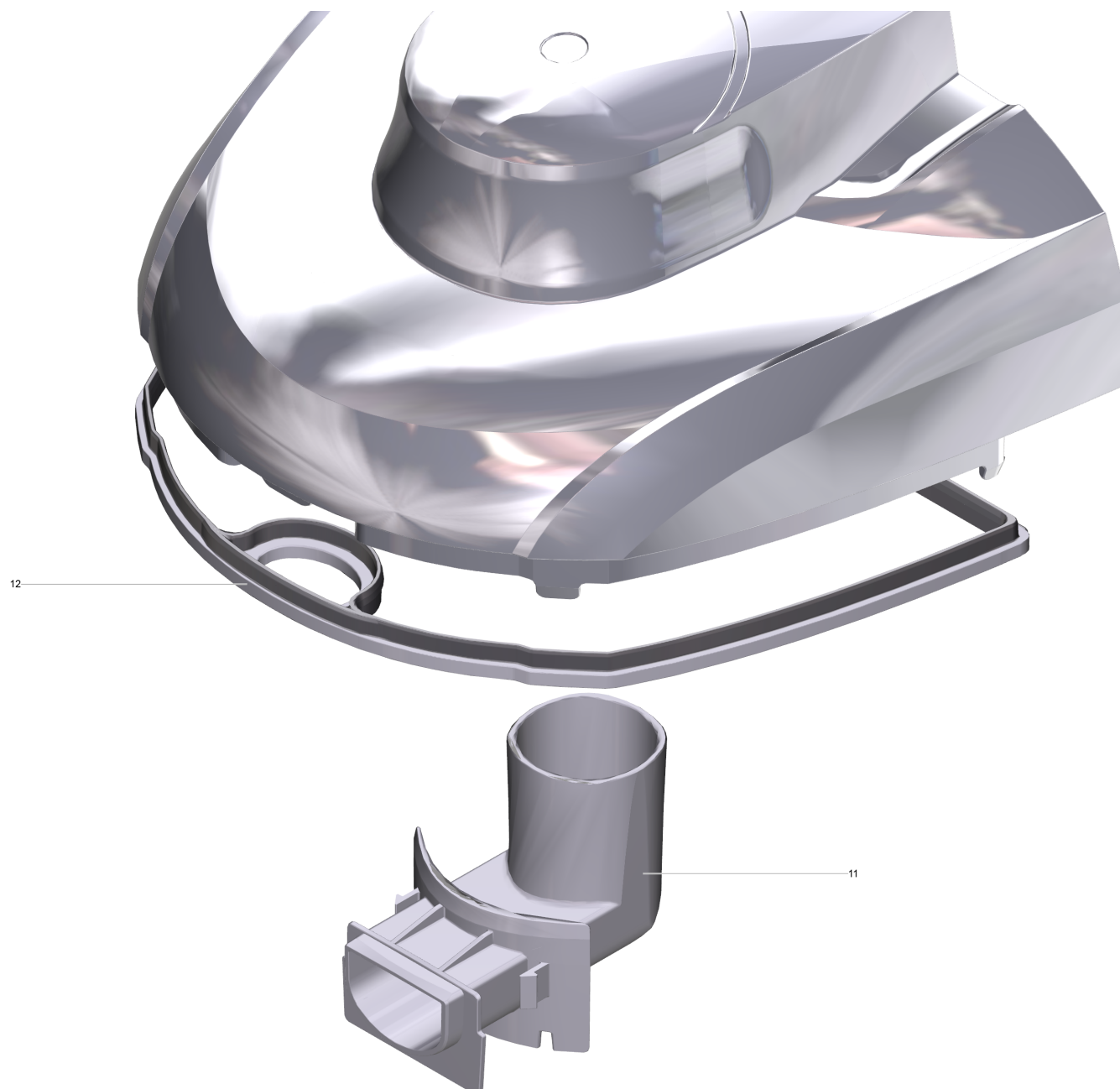


13 Pushbutton complete only for replacement (4.324-028.0)

---

<b>POS</b>	<b>Article no.</b>	<b>Description</b>	<b>Quantity</b>	<b>Unit</b>
2	5.394-461.0	Protection part	2	PC

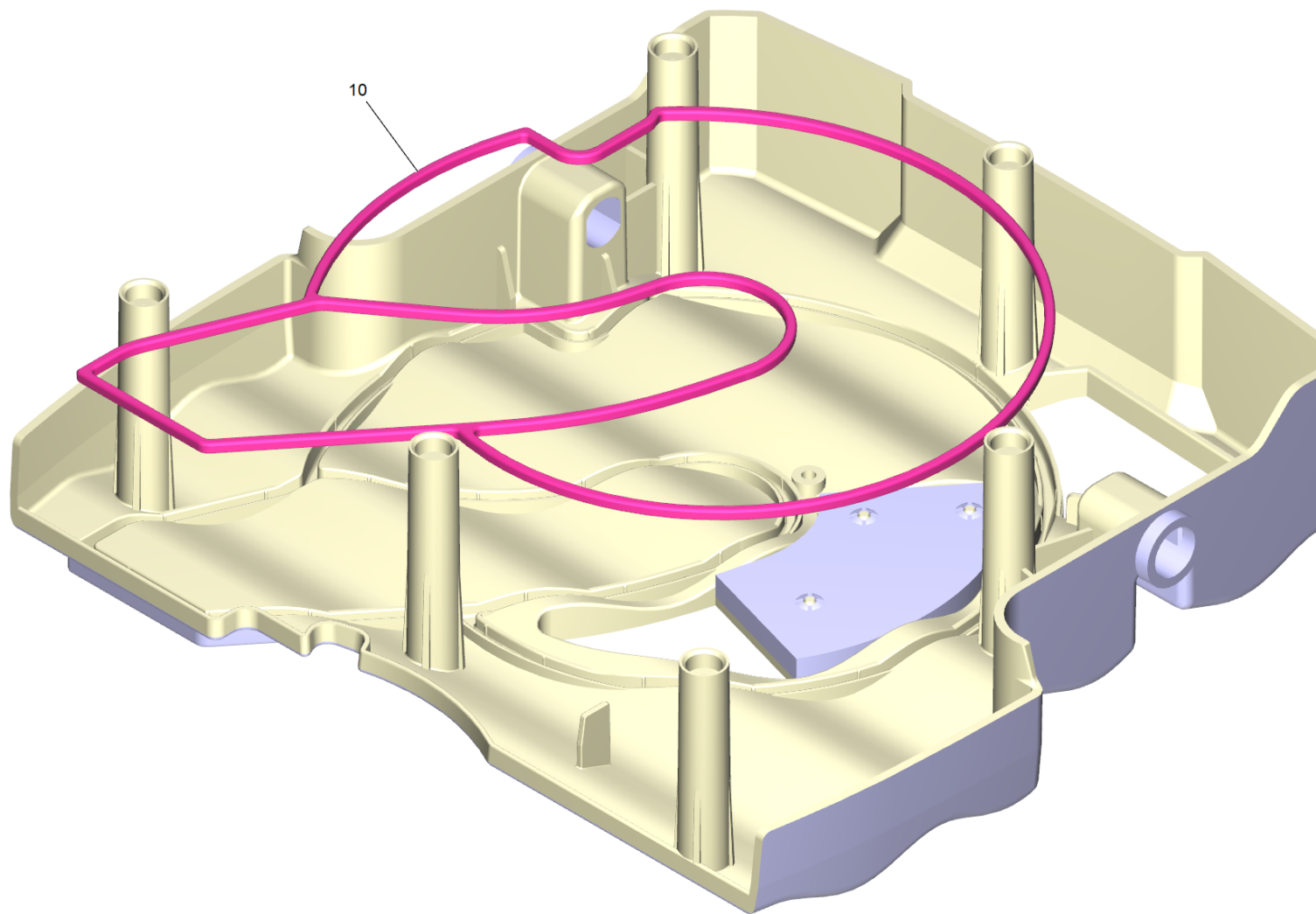
---



16 Cover complete only for replacement (4.064-006.0)

---

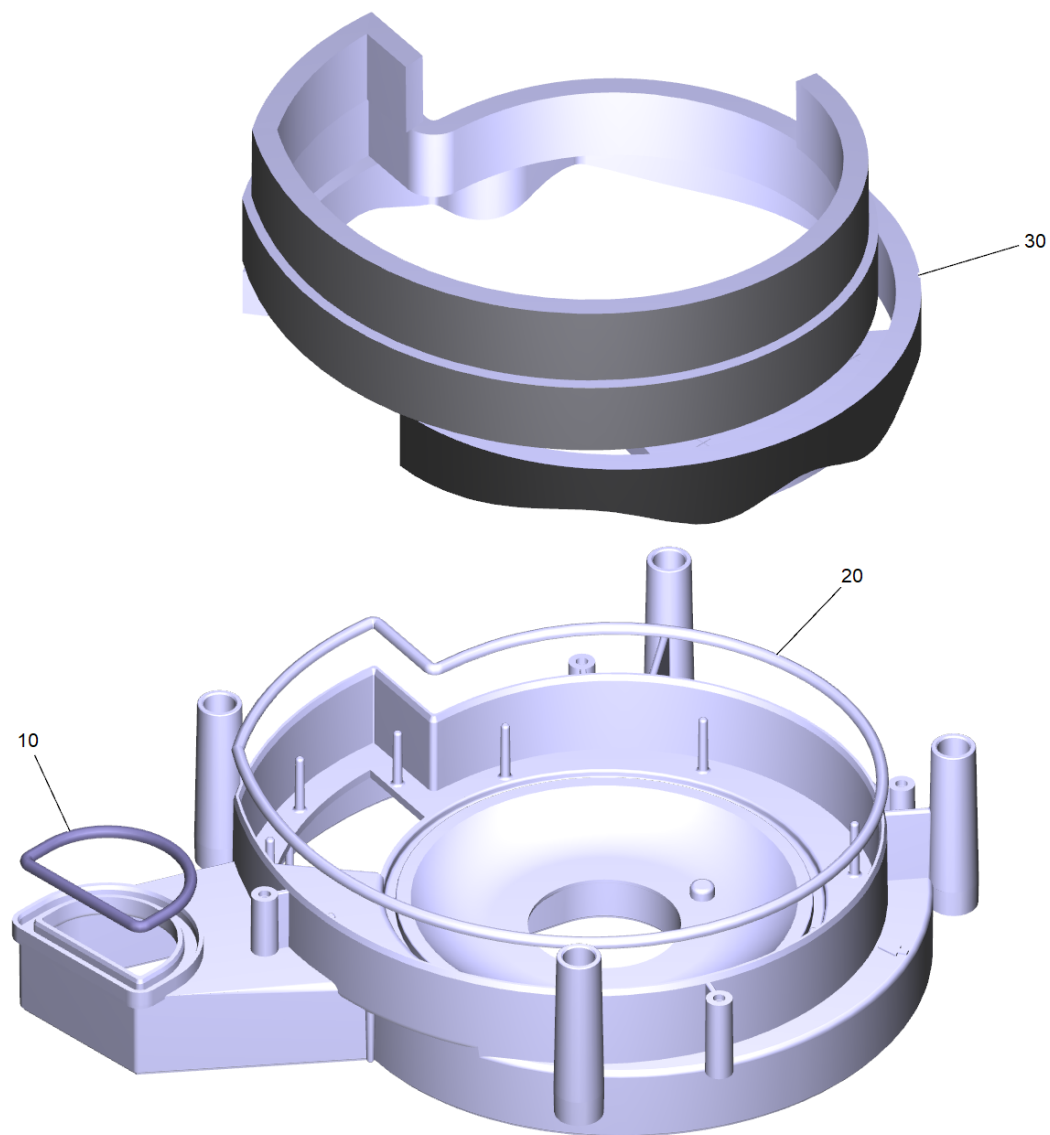
<b>POS</b>	<b>Article no.</b>	<b>Description</b>	<b>Quantity</b>	<b>Unit</b>
11	5.033-143.0	Elbow	1	PC
12	5.363-681.0	Seal cover	1	PC



35 Frame cpl. (4.069-066.0)

---

POS	Article no.	Description	Quantity	Unit
10	4.363-028.0	Seal frame only for replacement	1	PC

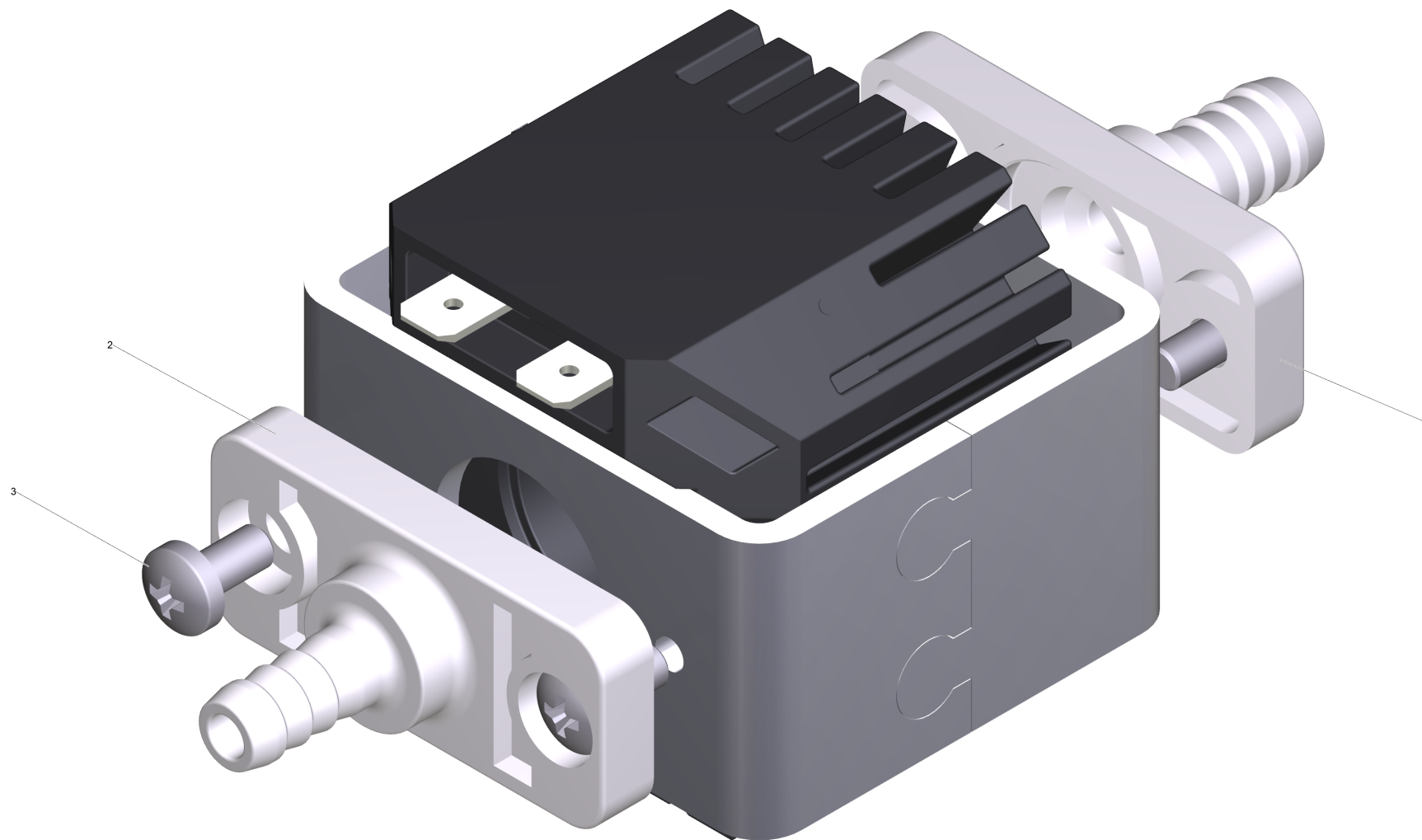


37 Air circulation cpl. (4.069-067.0)

---

<b>POS</b>	<b>Article no.</b>	<b>Description</b>	<b>Quantity</b>	<b>Unit</b>
10	9.439-064.0	Seal string cellular rubber 4	1	PC
20	5.363-851.0	Seal string cellular rubber 4x5	1	PC
30	4.069-069.0	Insulating mat set	1	PC





90 Pump for replacement 230V-GOTEC (4.610-105.0)

---

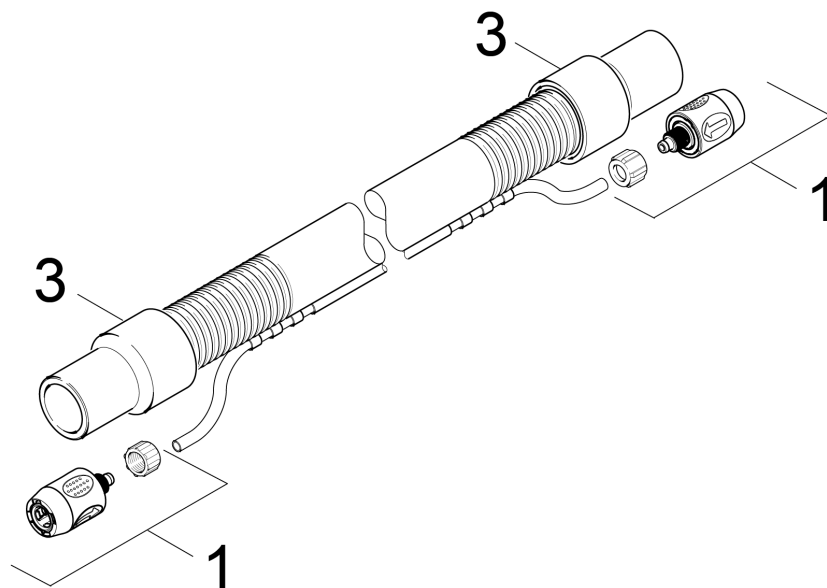
<b>POS</b>	<b>Article no.</b>	<b>Description</b>	<b>Quantity</b>	<b>Unit</b>
1	5.443-439.0	Hose stem D9,5	1	PC
2	5.443-663.0	Hose stem D 7,5	1	PC
3	7.306-236.0	Screw M4x6 -8.8 (In6Rd)	4	PC



93 Nipple complete (4.409-001.0)

---

POS	Article no.	Description	Quantity	Unit
52	2.889-246.0	O-Ring seal set 6,75X 1,78	1	PC
54	6.362-797.0	O-Ring seal 9,0 X 2,0	1	PC



130 Spray/suction hose Puzzi DN32 2.5m (6.394-826.0)

---

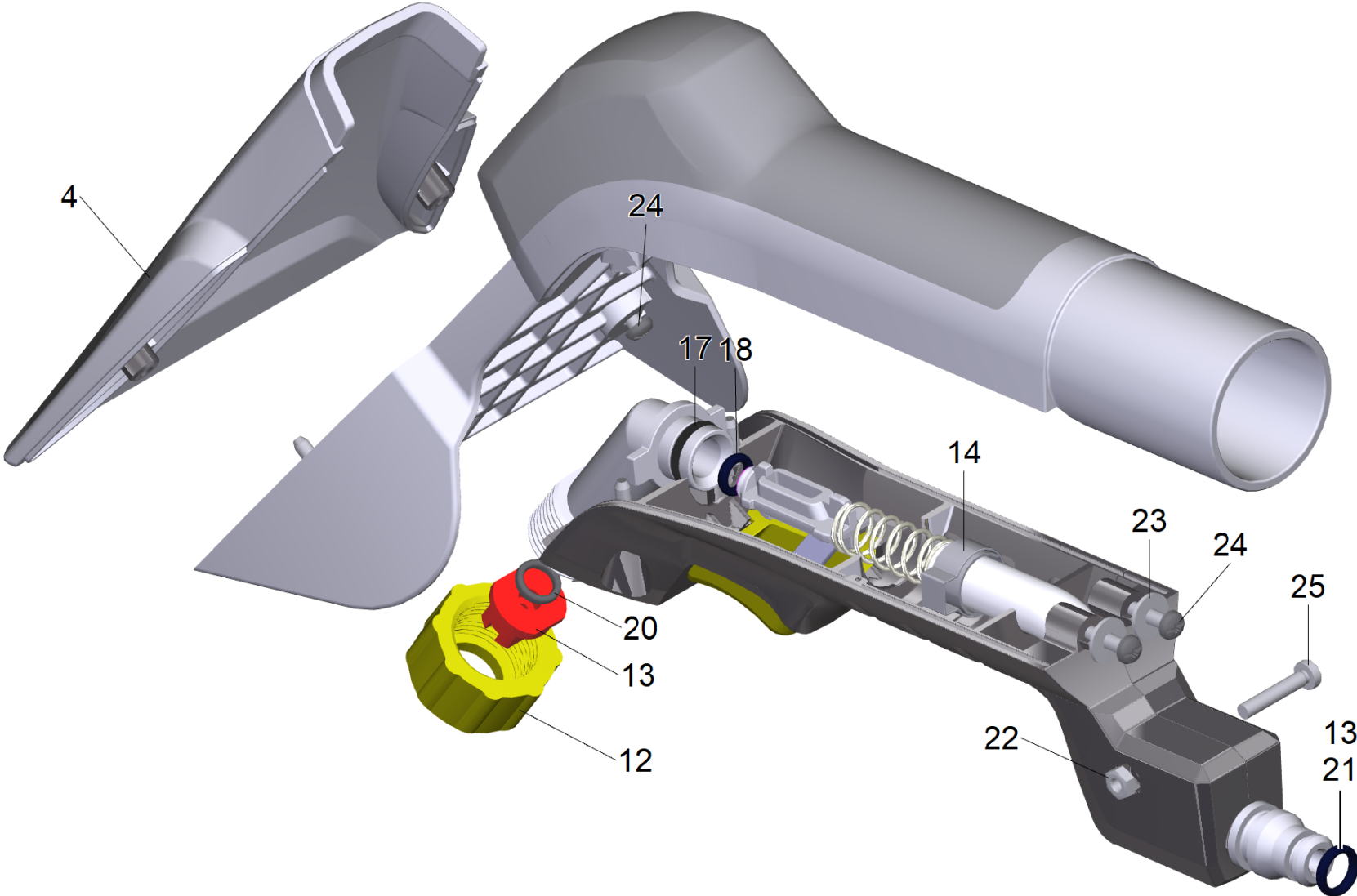
<b>POS</b>	<b>Article no.</b>	<b>Description</b>	<b>Quantity</b>	<b>Unit</b>
1	4.446-023.0	Hose coupling complete for replacement	2	PC
3	6.906-713.0	Sleeve DN32	2	PC

1 Hose coupling complete for replacement (4.446-023.0)

---

POS	Article no.	Description	Quantity	Unit
2	6.394-827.0	Union nut yellow M 12x1	1	PC

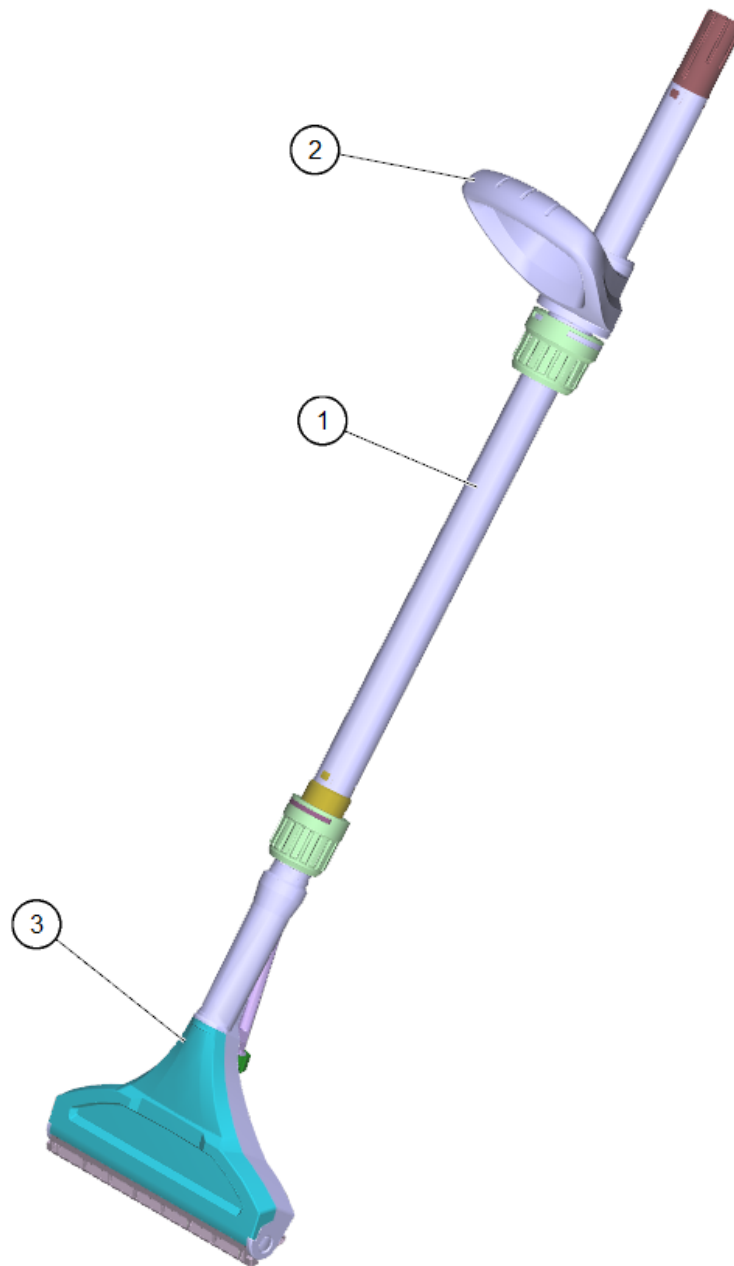
---





131 Nozzle packaged Puzzi (4.130-063.0)

POS	Article no.	Description	Quantity	Unit
4	4.130-147.0	Covering cap nozzle only for replacement Puzzi	1	PC
12	5.310-043.0	Union nut black	1	PC
13	2.884-362.0	Nozzles set for upholstery nozzle 2 pieces	1	PC
14	6.389-992.0	Hose clip	2	PC
17	6.362-797.0	O-Ring seal 9,0 X 2,0	1	PC
18	6.363-606.0	O-Ring seal 4,7 x 1,9 -NBR70	1	PC
20	6.362-113.0	O-Ring seal 6,0 x 2,0 NBR 70	1	PC
21	6.362-923.0	O-Ring seal 6,75X 1,78	1	PC
22	7.311-063.0	Hexagon nut M 3-A2-70 ISO 4032	1	PC
23	7.312-294.0	Washer 3-A2 ISO 7093-1	2	PC
24	6.303-557.0	Screw 3x12 Kombitorx T8	6	PC
25	7.306-240.0	Screw M 3X 16 A2-70 (In6Rd)	1	PC



137 Set carpet nozzle complete 240mm (4.130-007.0)

---

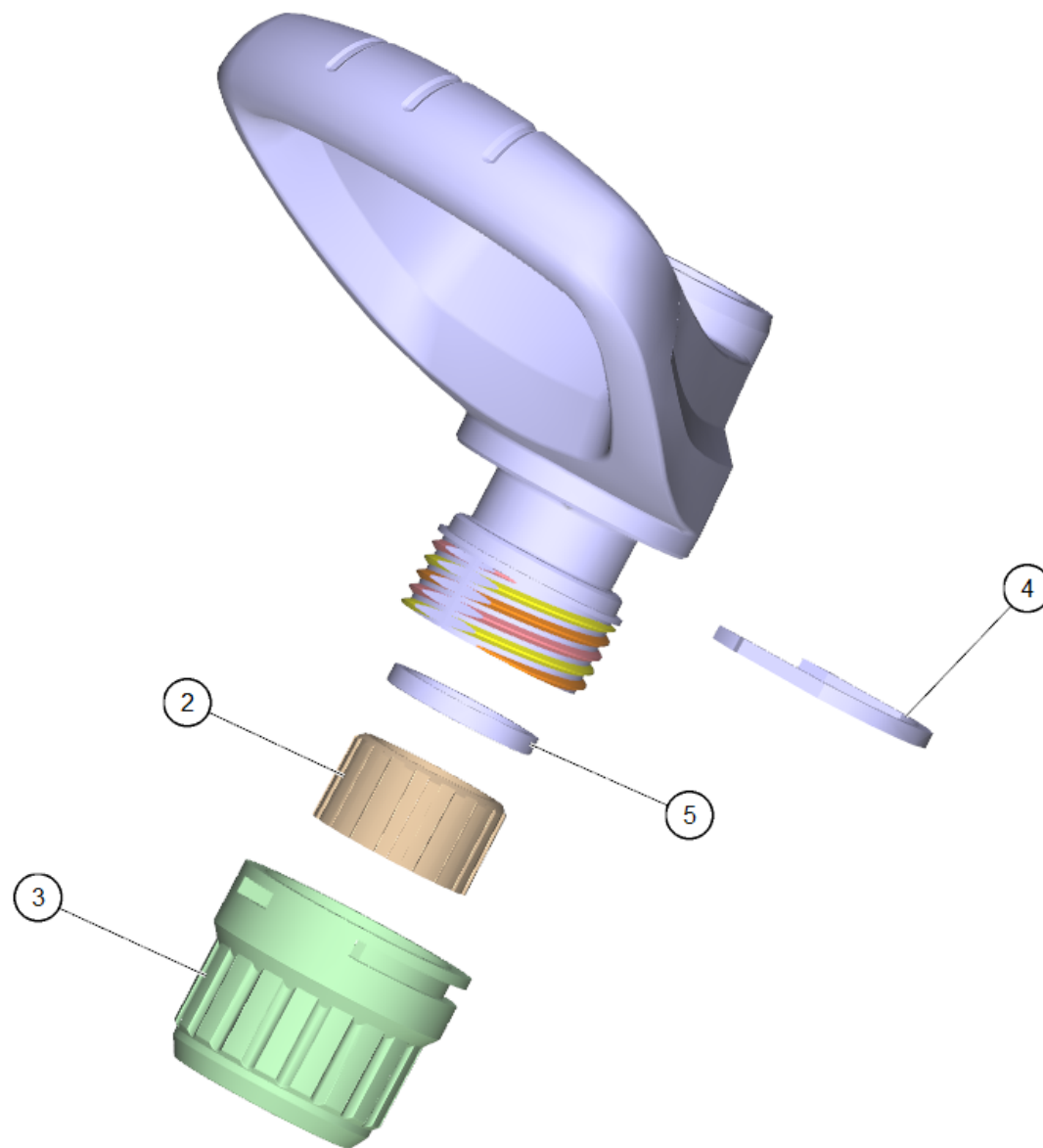
<b>POS</b>	<b>Article no.</b>	<b>Description</b>	<b>Quantity</b>	<b>Unit</b>
1	4.025-004.0	Spray/suction tube Puzzi DN32 0.7m	1	PC
2	4.321-001.0	D handle Spray/suction tube Puzzi DN32	1	PC
3	4.130-008.0	Carpet nozzle flexible 240mm verpackt	1	PC



1 Spray/suction tube Puzzi DN32 0.7m (4.025-004.0)

---

<b>POS</b>	<b>Article no.</b>	<b>Description</b>	<b>Quantity</b>	<b>Unit</b>
6	5.127-021.0	Extension	1	PC
7	6.363-574.0	O-Ring seal 6x1,2 - NBR 80	4	PC
8	5.310-000.0	Union nut yellow RAL 1018	1	PC
9	5.031-029.0	Tension ring yellow RAL 1018	1	PC



2 D handle Spray/suction tube Puzzi DN32 (4.321-001.0)

---

<b>POS</b>	<b>Article no.</b>	<b>Description</b>	<b>Quantity</b>	<b>Unit</b>
2	5.401-005.0	Insert rubber	1	PC
3	5.310-002.0	Union nut handhold yellow RAL 1018	1	PC
4	5.037-019.0	Clip hand grip yellow RAL 1018	1	PC
5	5.114-003.0	Spacer ring	1	PC





### 3 Carpet nozzle flexible 240mm verpackt (4.130-008.0)

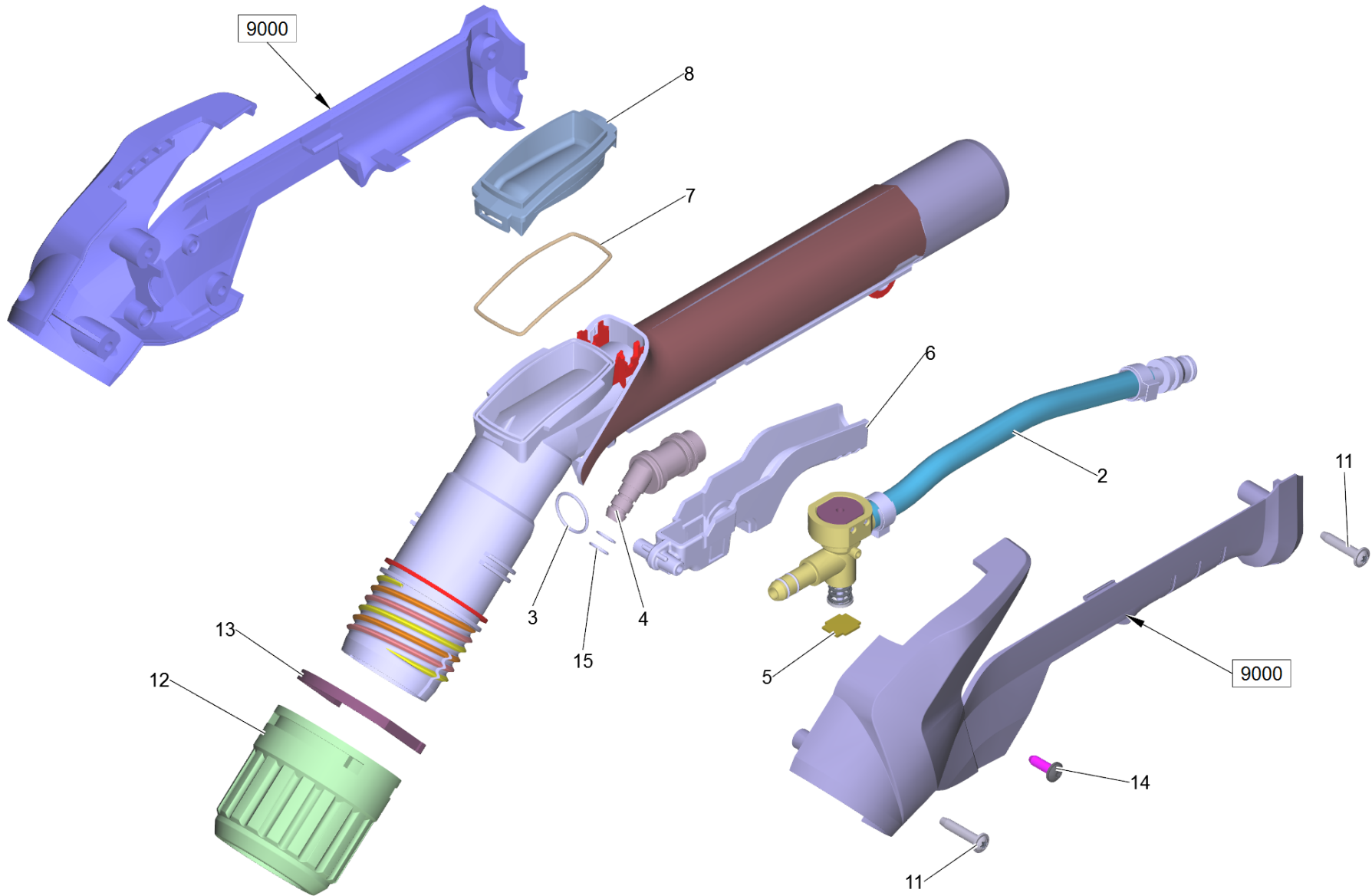
---

<b>POS</b>	<b>Article no.</b>	<b>Description</b>	<b>Quantity</b>	<b>Unit</b>
8	4.764-007.0	Nozzle holder complete	1	PC
9	6.362-113.0	O-Ring seal 6,0 x 2,0 NBR 70	1	PC
10	2.884-546.0	Nozzles set for floor nozzle	1	PC
11	5.310-043.0	Union nut black	1	PC
12	5.777-016.3	Carpet nozzle covering cap 240mm	1	PC
13	7.303-117.0	Screw 4x20 -A2-70 (In6Rd)	4	PC
100	4.777-005.0	Vacuum bar complete 240mm	1	PC

## 10 Nozzles set for floor nozzle (2.884-546.0)

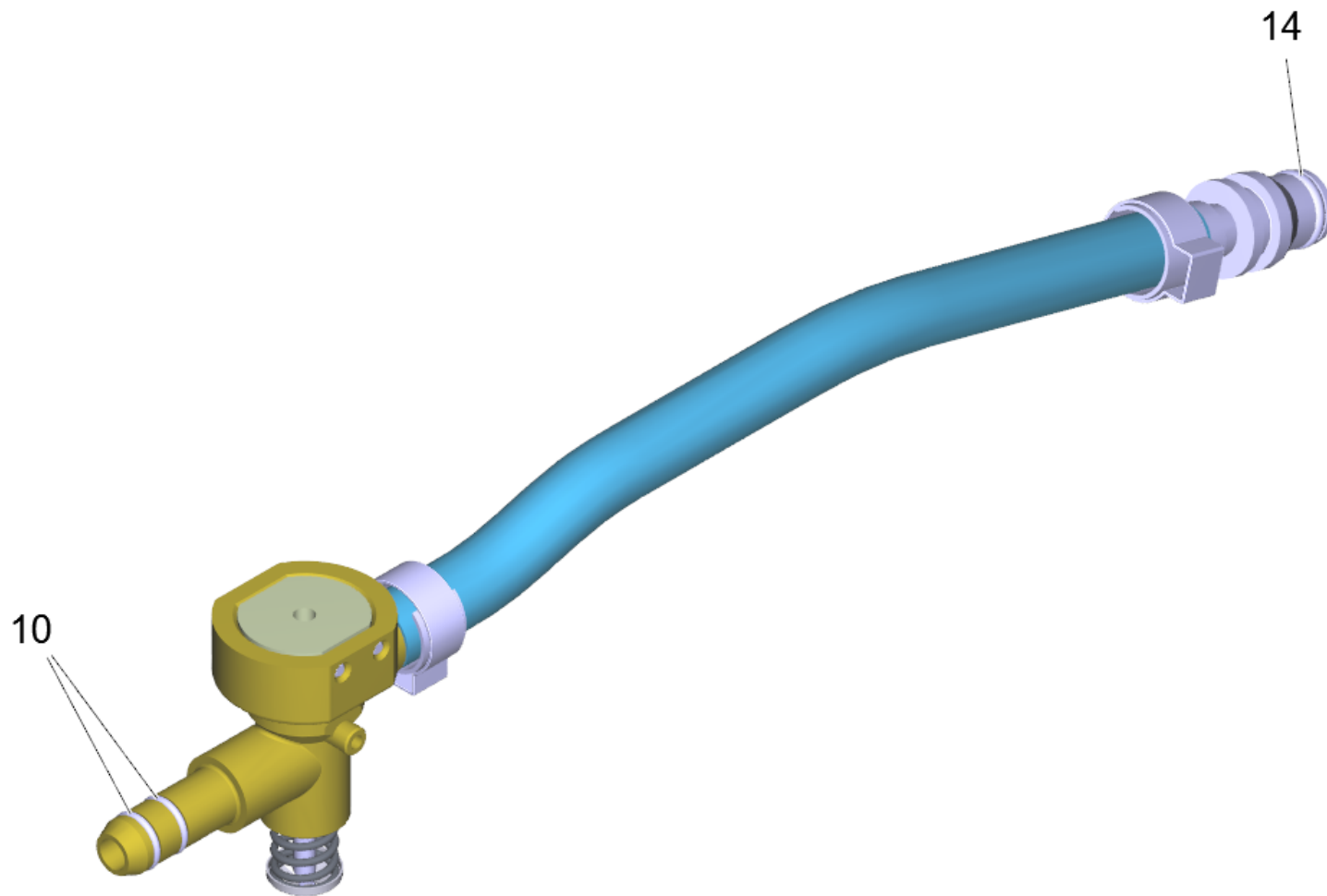
---

<b>POS</b>	<b>Article no.</b>	<b>Description</b>	<b>Quantity</b>	<b>Unit</b>
2	6.362-113.0	O-Ring seal 6,0 x 2,0 NBR 70	3	PC
3	6.415-165.0	Nozzle mouthpiece 95G06	1	PC
4	6.415-166.0	Nozzle mouthpiece	1	PC
5	6.415-105.0	Nozzle mouthpiece green	1	PC



140 Spray/suction gun Puzzi DN32 (4.130-000.0)

POS	Article no.	Description	Quantity	Unit
2	4.580-002.3	Valve complete	1	PC
3	6.362-402.0	O-Ring seal 11,0 X 1,3-NBR 70	1	PC
4	5.453-000.0	Connecting sleeve	1	PC
5	5.007-162.0	Plate	1	PC
6	5.324-000.3	Pushbutton	1	PC
7	7.777-999.0	Stockpiling discontinued	1	PC
8	5.384-002.3	Inspection glass	1	PC
11	7.303-117.0	Screw 4x20 -A2-70 (In6Rd)	4	PC
12	5.310-000.0	Union nut yellow RAL 1018	1	PC
13	5.031-029.0	Tension ring yellow RAL 1018	1	PC
14	7.303-116.0	Screw 4x12-A2-70 (IN6RD)	1	PC
15	6.362-472.0	O-Ring seal 6,0 X 1,0-NBR 70	2	PC
9000	4.321-038.0	Handhold few	1	PC



2 Valve complete (4.580-002.3)

---

<b>POS</b>	<b>Article no.</b>	<b>Description</b>	<b>Quantity</b>	<b>Unit</b>
10	6.363-574.0	O-Ring seal 6x1,2 - NBR 80	2	PC
14	6.362-923.0	O-Ring seal 6,75X 1,78	1	PC