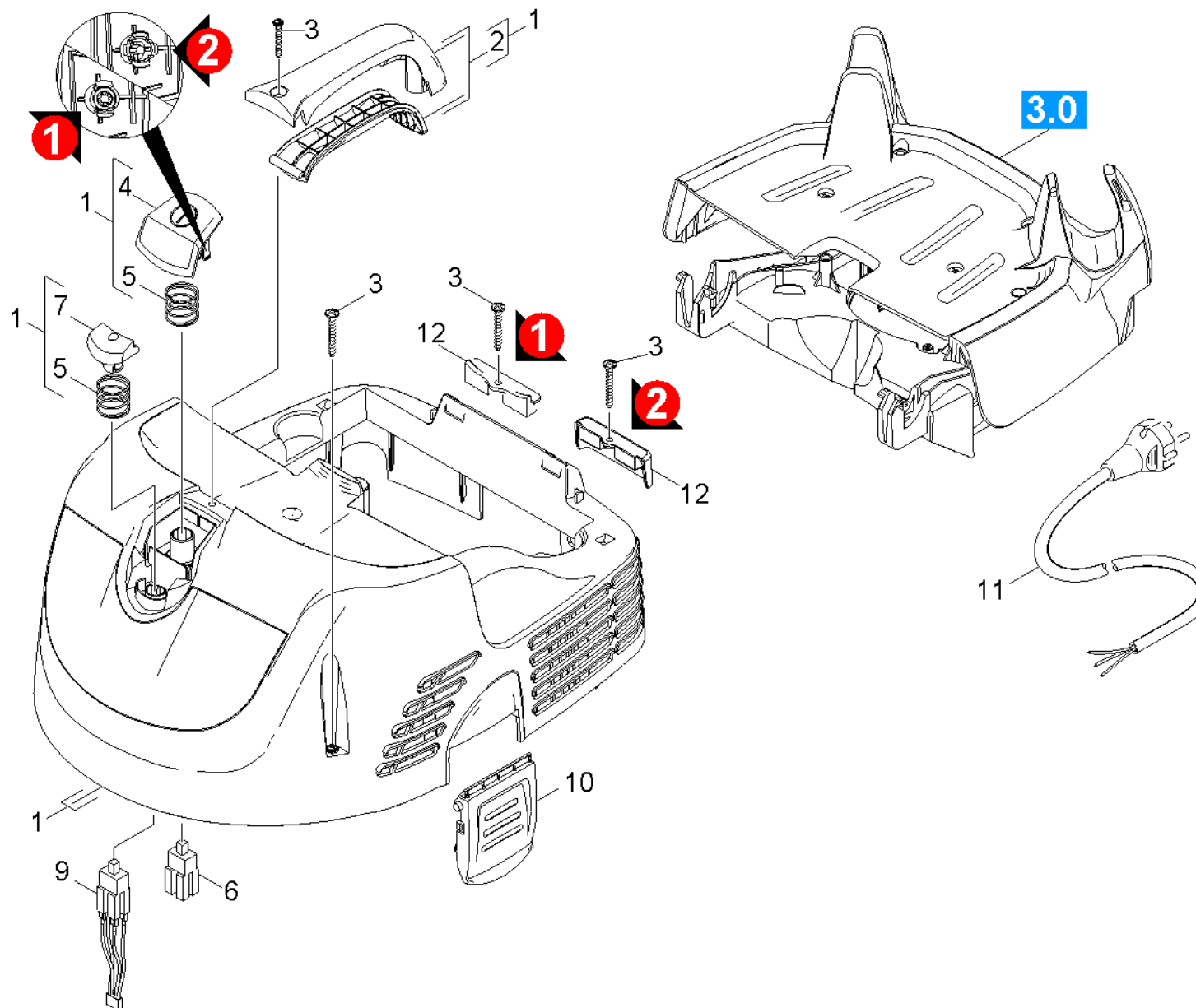


## 10 Cover individual parts

Overview technical documents/Professional/Vacuum cleaner/Wet-dry vacuum cleaner/NT 55/1 Tact (1.146-800.0)/Spare parts list NT 55/1 Tact/10 Cover individual parts



## 10 Cover individual parts

Overview technical documents/Professional/Vacuum cleaner/Wet-dry vacuum cleaner/NT 55/1 Tact (1.146-800.0)/Spare parts list NT 55/1 Tact/10 Cover individual parts

| Rez.daļas/nodil.pakļ.daļas    | Poz. | Materiāla Nr. | Nosaukums                                | Daudzums | Pārdoš. vienība | Daž. informācija |
|-------------------------------|------|---------------|--|----------|-----------------|------------------|
|                               | 1    | 4.066-365.0   | Cover complete only for replacement      | 1.000    | ST              |                  |
|                               | 2    | 4.321-213.0   | Handhold complete only for replacement   | 1.000    | ST              |                  |
| X-X                           | 3    | 7.303-086.0   | Skrūve 5x30 -10.9-R2R (K-In6Rd)          | 5.000    | ST              |                  |
| X-X                           | 4    | 5.324-124.0   | Pushbutton on/off RAL 1018               | 1.000    | ST              |                  |
| X-X                           | 4    | 5.324-124.0   | Pushbutton on/off RAL 1018               | 1.000    | ST              |                  |
| X-X                           | 5    | 5.332-934.0   | Spring                                   | 2.000    | ST              |                  |
| X-X                           | 6    | 6.630-437.0   | Ieslēgšanas/izslēgšanas slēdzis          | 1.000    | ST              |                  |
| X-X                           | 7    | 4.324-032.0   | Pushbutton complete only for replacement | 1.000    | ST              |                  |
| X-X                           | 9    | 6.630-416.0   | Switch with LED                          | 1.000    | ST              |                  |
| X-X                           | 10   | 5.033-256.0   | Strap closure                            | 2.000    | ST              |                  |
|                               | 11   | 6.647-263.0   | Strāvas vads 7,5 m PVC *EU               | 1.000    | ST              | /*EU             |
| Pozīcijas teksts: 1.146-806.0 |      |               |  |          |                 |                  |
|                               | 11   | 6.650-079.0   | Power cable 7,5m Gummi *EU               | 1.000    | ST              | /*EU             |
| Pozīcijas teksts: 1.146-800.0 |      |               |  |          |                 |                  |
|                               | 11   | 6.650-080.0   | Power cable 7,5m Gummi *CH               | 1.000    | ST              | /*CH             |
| X-X                           | 12   | 5.033-744.0   | Covering cap                             | 1.000    | ST              |                  |
|                               | 12   | 5.031-975.0   | Covering cap holder accessories          | 1.000    | ST              |                  |