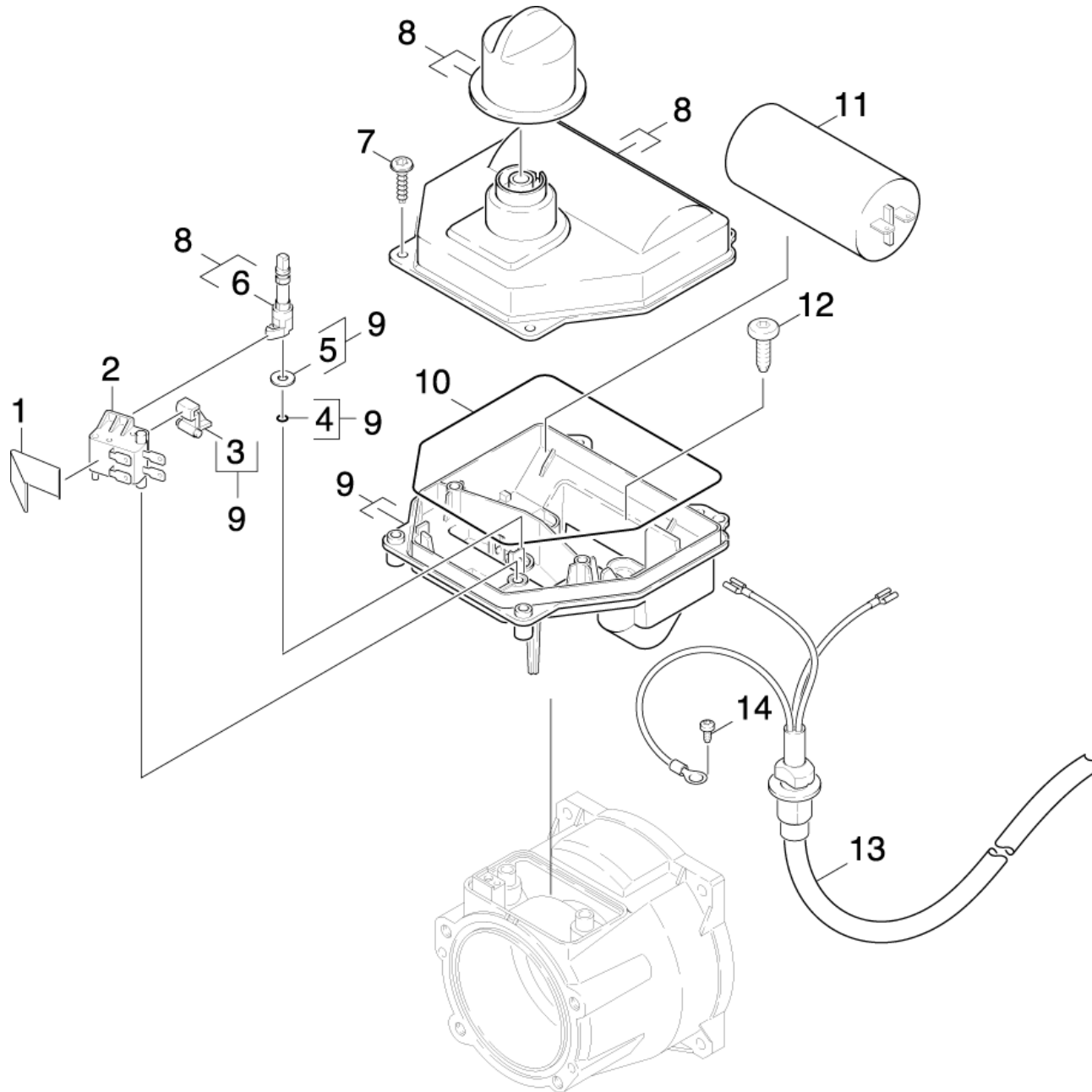


# 50 Electric box

Professional \ High pressure cleaner cold water \ Electric motor \ HD 5/11 C \*EU \ Spare parts list HD 5/11 \ Electric box



## 50 Electric box

Professional \ High pressure cleaner cold water \ Electric motor \ HD 5/11 C \*EU \ Spare parts list HD 5/11 \ Electric box

**KÄRCHER**

POS	Article no.	Description	Quantity	Unit
1	5.337-027.0	Plate spring	1.000	ST
2	6.631-946.0	Micro switch	1.000	ST
3	4.047-003.0	Rocker switch complete	1.000	ST
4	6.506-019.0	O-Ring seal 3,68X 1,78	1.000	ST
5	5.115-610.0	Washer	1.000	ST
6	5.100-192.0	Selector shaft	1.000	ST
7	6.303-125.0	Screw 5x20-Sonder In6Rd+Spitze	4.000	ST
8	4.063-795.0	Cover plate electric box	1.000	ST
9	4.800-852.0	Electric box complete	1.000	ST
10	6.273-194.0	Cord cellular rubber	1.000	ST
11	9.085-013.0	Capacitor 25uF	1.000	ST
	<b>Item text1:</b> / 1.520-101.0 / -103.0 / -104.0			
	<b>Item text2:</b> / -106.0 / -111.0 / -112.0 / -115.0			
11	6.661-237.0	Capacitor 70µF	1.000	ST
	<b>Item text1:</b> / 1.520-102.0/ -109.0/ -110.0			
12	7.303-048.0	Screw M6x20 -St-R3R (In6Rd)	2.000	ST
13	6.649-547.0	Cable with plug China H07 RN-F 3G1/5,75m	1.000	ST
	<b>Item text1:</b> 1.520-112.0			
13	6.649-846.0	Cable with plug	1.000	ST
	<b>Item text1:</b> / 1.520-111.0			
13	6.649-942.0	Cable with plug CH	1.000	ST
	<b>Item text1:</b> / 1.520-106.0 / -115.0			
13	6.649-189.0	Cable with plug 5.8m *J	1.000	ST
	<b>Item text1:</b> 1.520-109.0/ -110.0			
13	6.649-158.0	Cable with plug	1.000	ST
	<b>Item text1:</b> / 1.520-107.0			
13	6.648-952.0	Cable with plug	1.000	ST
	<b>Item text1:</b> / 1.520-101.0 / -103.0 /			
13	6.648-960.0	Cable without plug *GB	1.000	ST
	<b>Item text1:</b> / 1.520-102.0			
13	6.648-996.0	Cable with plug	1.000	ST
	<b>Item text1:</b> / 1.520-104.0			
14	7.303-031.0	Screw M4x10 -St-P2R (In6Rd)	1.000	ST