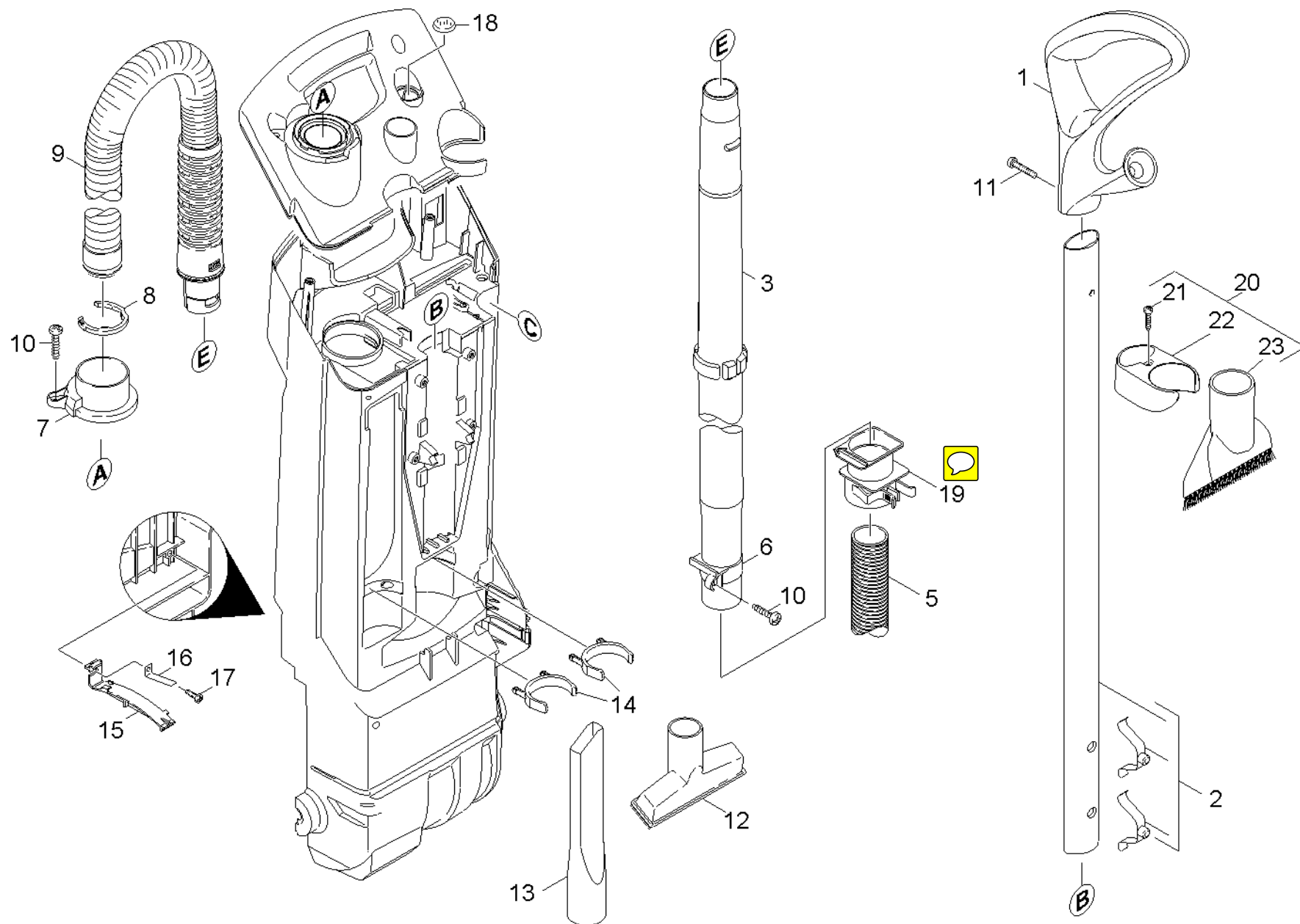


## 11 Individual parts

Overview technical documents/Professional/Vacuum cleaner/Dry vacuum cleaner/CV 38/2 \*EU (1.033-315.0)/Spare parts list CV 38/2, CV 48/2/10 Top part/11 Individual parts



## 11 Individual parts

Overview technical documents/Professional/Vacuum cleaner/Dry vacuum cleaner/CV 38/2 \*EU (1.033-315.0)/Spare parts list CV 38/2, CV 48/2/10 Top part/11 Individual parts

Rez.daļas/nodil.pakļ.daļas	Poz.	Materiāla Nr.	Nosaukums	Daudzums	Pārdoš. vienība	no sēr. Nr..	līdz sēr. Nr.
	1	5.321-713.0	Handhold	1.000	ST	0000000000	0000000000
	2	4.128-001.0	Handle complete only for replacement	1.000	ST	0000000000	0000000000
X-X	3	5.129-046.0	Sūkšanas caurule	1.000	ST	0000000000	0000000000
X-X	5	6.391-115.0	Sūkšanas šļūtene DN32	1.000	ST	0000000000	0000000000
	6	5.570-075.0	Ring suction tube	1.000	ST	0000000000	0000000000
X-X	7	5.032-540.0	Hosebarb	1.000	ST	0000000000	0000000000
X-X	8	5.031-011.0	Locking ring	1.000	ST	0000000000	0000000000
X-X	9	6.391-934.0	Sūkšanas šļūtene DN32	1.000	ST	0000000000	0000000000
X-X	10	7.303-108.0	Skrūve 5x20 -10.9-R2R (In6Rd)	2.000	ST	0000000000	0000000000
	11	7.303-278.0	Screw 5x45 -A2-70 (In6Rd)	1.000	ST	0000000000	0000000000
X-X	12	6.900-233.0	Uzgalis mīksto mēbeļu tīrīšanai DN35	1.000	ST	0000000000	0000000000
X-X	13	6.906-240.0	Šaurais uzgalis stūriem DN35	1.000	ST	0000000000	0000000000
X	14	5.041-111.0	Clip accessories	2.000	ST	0000000000	0000000000
	15	5.042-836.0	Holder filter	1.000	ST	0000000000	0000000000
	16	5.332-339.0	Spring	1.000	ST	0000000000	0000000000
	17	7.303-106.0	Skrūve 4x12 -10.9-R2R (IN6RD)	1.000	ST	0000000000	0000000000
	18	5.031-521.0	Lens	1.000	ST	0000000000	0000000000
X-X	19	5.407-135.0	Iesūkšanas caurules savienotājuzmava	1.000	ST	0000000000	0000000000
	20	4.262-015.0	Accessories kit clamp	1.000	ST		
X-X	21	7.303-212.0	Skrūve 5x20 -A2-70 (In6Rd)	1.000	ST		
	22	5.332-980.0	Clamp	1.000	ST		
X-X	23	6.903-862.0	Uzgalis-birste DN35	1.000	ST		