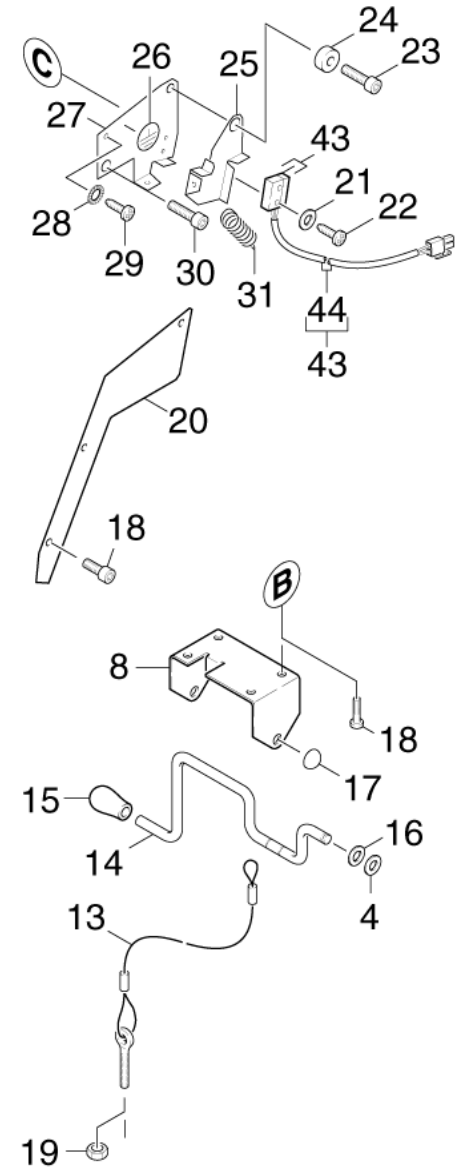
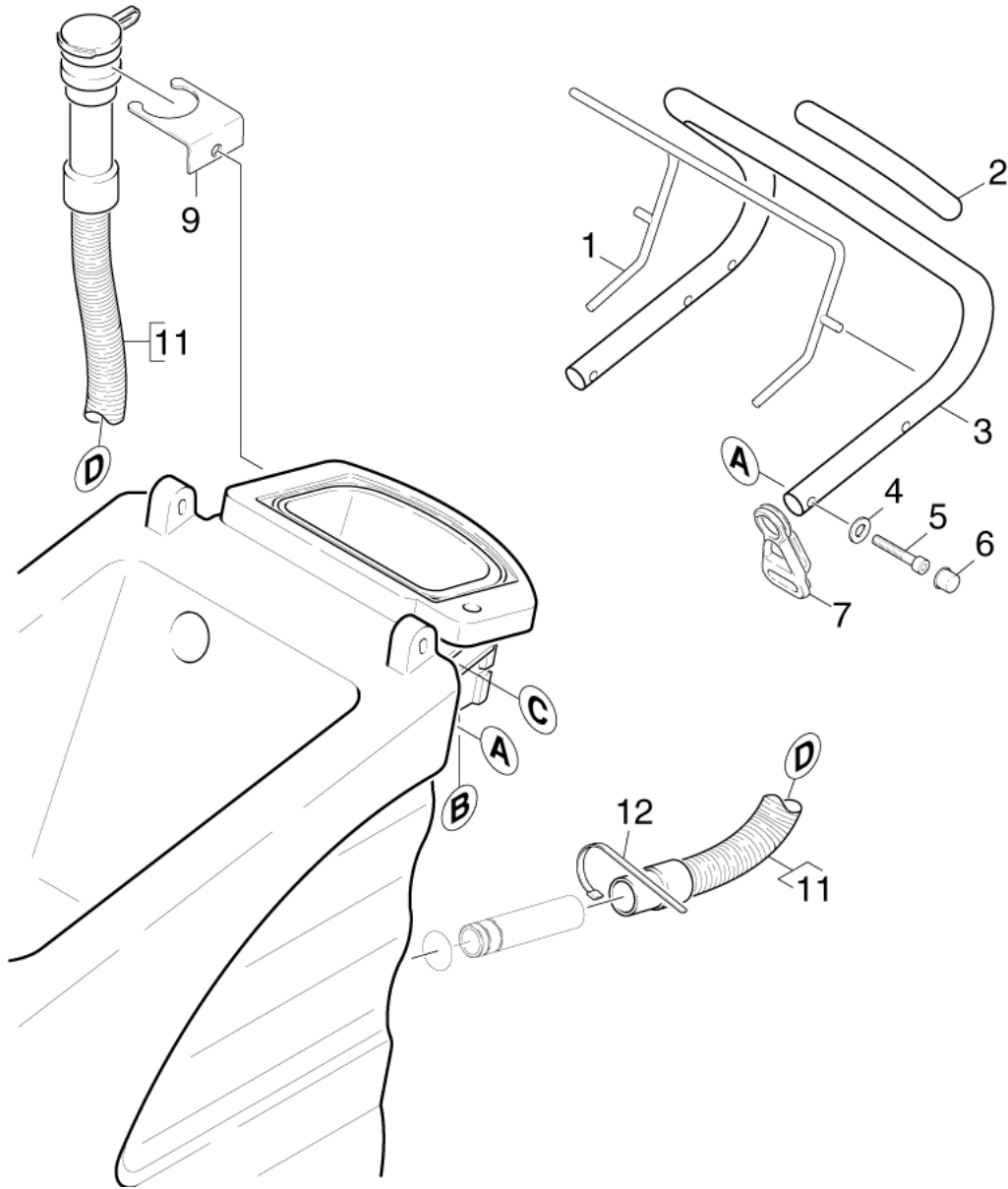


25 Handhold BR 530

Overview technical documents/Professional/Floor cleaner/Walk behind/BR 530

*EU (1.127-121.0)/Spare parts list BR 530 Netz/20 Appliance individual parts/25 Handhold BR 530



25 Handhold BR 530

Overview technical documents/Professional/Floor cleaner/Walk behind/BR 530

*EU (1.127-121.0)/Spare parts list BR 530 Netz/20 Appliance individual parts/25 Handhold BR 530

Rez.daļas/nodil.pakļ.dajas	Poz.	Materiāla Nr.	Nosaukums	Daudzums	Pārdoš. vienība	no sēr. Nr..	līdz sēr. Nr.	Daž. informācija
	1	4.034-107.0	Retaining bracket complete	1.000	ST	0000000000	0000000000	
	2	6.390-269.0	Hose	1.000	M			
	3	4.321-135.0	Handhold	1.000	ST	0000000000	0000000000	
X-X	4	7.312-017.0	wascher	10.000	ST	0000000000	0000000000	
X-X	5	7.306-044.0	Cylinder head screw M8x35	4.000	ST	0000000000	0000000000	
X-X	6	6.368-295.0	protecting cap	4.000	ST	0000000000	0000000000	
	7	6.641-776.0	Strain relief	1.000	ST	0000000000	0000000000	
	8	5.044-298.0	Holder	1.000	ST	0000000000	0000000000	
	9	5.059-011.0	Sheet metal component	1.000	ST	0000000000	0000000000	
	10	7.306-119.0	Cylinder head screw M8x12 -A2-70 ISO 47	1.000	ST	0000000000	0000000000	
X-X	11	6.390-733.0	Drain hose oil resistant DN32 BR-BD 530	1.000	ST	0000000000	0000000000	
X-X	11	6.391-994.0	Drain hose	1.000	ST	0000000000	0000000000	
X-X	12	6.388-549.0	Hose clip	2.000	ST	0000000000	0000000000	
X-X	13	4.172-016.0	Rope suction beam retraction	1.000	ST	0000000000	0000000000	
	14	4.034-222.0	Retaining bracket complete	1.000	ST	0000000000	0000000000	
X-X	15	6.321-154.0	Push button D 8	1.000	ST	0000000000	0000000000	VERSION 1
X	15	5.034-930.0	Button retaining bracket	1.000	ST			VERSION 2
X	16	7.343-300.0	Sprostpaplāksne 7-A2 DIN 6799	2.000	ST	0000000000	0000000000	
X-X	17	6.343-132.0	Lock washer 8	3.000	ST	0000000000	0000000000	
X-X	18	7.303-107.0	Skrūve 5x16 -10.9-P2R (K-In6Rd)	7.000	ST	0000000000	0000000000	
X-X	19	7.311-224.0	Hexagon nut M 8-04-A2E ISO 4035	1.000	ST	0000000000	0000000000	
	20	5.007-007.0	Plate	1.000	ST	0000000000	0000000000	
	21	7.303-386.0	Skārda skr. ST2,2X13,0-ST-A2E ISO	2.000	ST	0000000000	0000000000	
	22	7.312-280.0	Paplāksne 3 -200HV-A2E ISO7093-1	2.000	ST	0000000000	0000000000	
	23	7.306-090.0	Screw M6x16 -8.8-R3R (In6Rd)	1.000	ST	0000000000	0000000000	

25 Handhold BR 530

Overview technical documents/Professional/Floor cleaner/Walk behind/BR 530

*EU (1.127-121.0)/Spare parts list BR 530 Netz/20 Appliance individual parts/25 Handhold BR 530

Rez.daļas/nodil.pakļ.dajas	Poz.	Materiāla Nr.	Nosaukums	Daudzums	Pārdoš. vienība	no sēr. Nr..	līdz sēr. Nr.	Daž. informācija
	24	5.115-860.0	Washer	1.000	ST	0000000000	0000000000	
	25	5.048-878.0	Sheet metal component	1.000	ST	0000000000	0000000000	
X	26	6.643-145.0	Label earthing	1.000	ST	0000000000	0000000000	
	27	5.048-904.0	Sheet metal component	1.000	ST	0000000000	0000000000	
	28	7.312-163.0	Toothed lock washer A4,3-FST-PH DIN 679	1.000	ST	0000000000	0000000000	
	29	7.303-135.0	Sheet metal screw ST4,2X 6,5-ST-A2R (IN	1.000	ST	0000000000	0000000000	
X-X	30	7.306-089.0	Screw M6x12 -8.8-R2R (In6Rd)	1.000	ST	0000000000	0000000000	
X-X	31	6.330-011.0	Extension spring	1.000	ST	0000000000	0000000000	
	43	6.630-061.0	Micro switch	1.000	ST	0000000000	000047201	
X	43	4.744-161.0	Micro switch	1.000	ST	0000047202	0000000000	
	44	6.642-003.0	Insulating hose 4	1.000	M			