

## **Spare parts list**

(1.667-316.0) NT 75/2 Tact<sup>2</sup> Me Tc Adv \*EU

## Table of contents

---

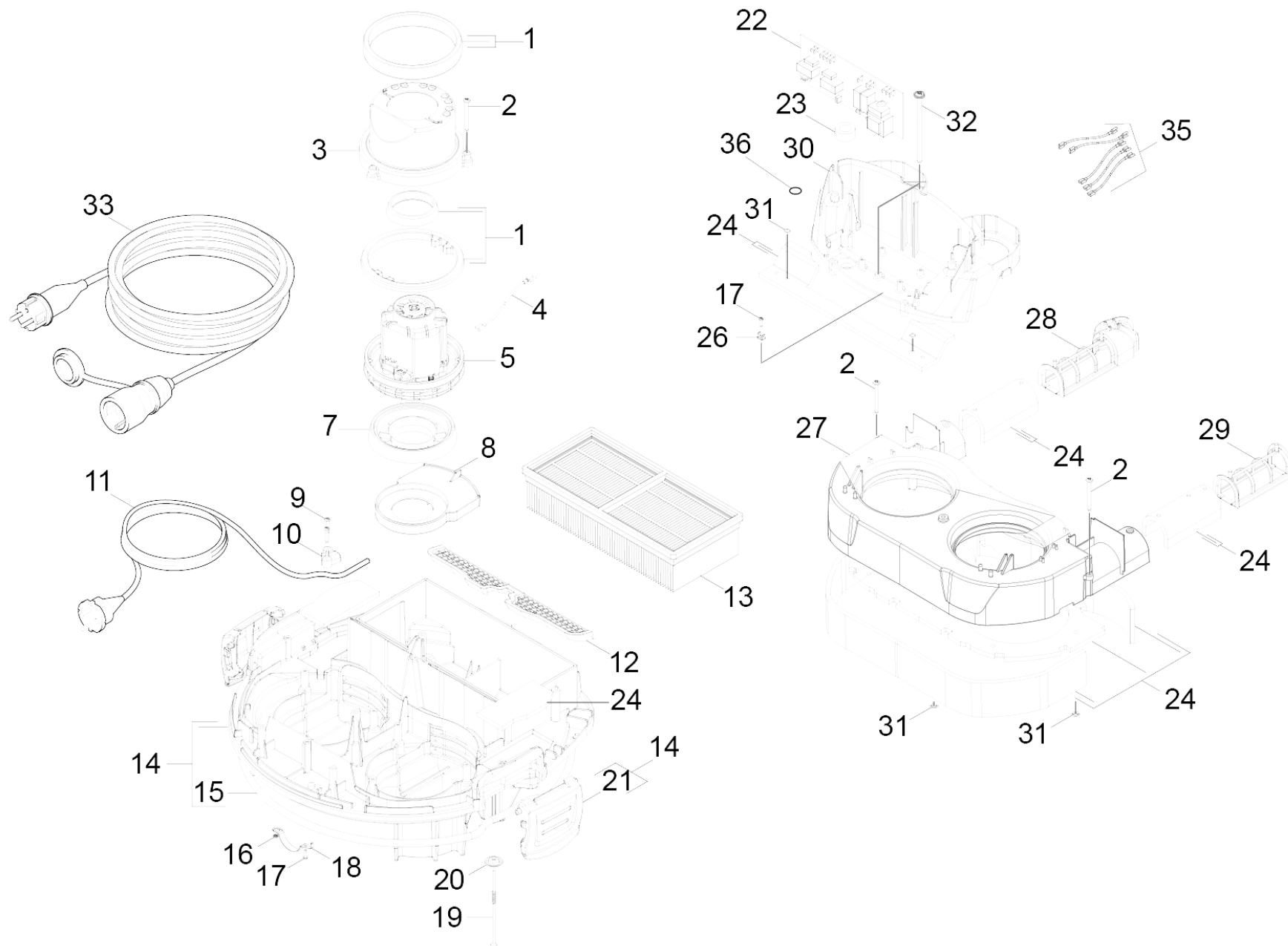
NT 75/2 Tact <sup>2</sup> Me Tc Adv *EU (1.667-316.0)	3
10 Cover	4
20 Vacuum motor	6
14 Housing base plate complete (4.605-125.0)	9
30 Filter	11
40 Tank	13
1 Tank metal replacement (4.071-205.0)	16
1 Tank metal replacement 75l (4.071-652.0)	18
22 Locking part kpl. (4.251-053.0)	20
50 Accessories	22
9 Floor tool packaged basalt grey DN40 (6.907-408.0)	24
50 Accessories	25
901 Hose electrically conducting packaged NW (2.889-141.0)	27
9000 Repair set NW40 (2.889-150.0)	29
902 Floor tool packaged NW40 360mm (2.889-153.0)	31
10 Assembly group holder rubber lips (4.862-020.0)	33
20 Assembly group holder brush strips (4.862-017.0)	35
908 Extension hose packaged NW40 2.5m (2.889-146.0)	37
60 Add-on kit nonconducting media	39
70 Add-on kit lane nozzle	41
Hose complete 4.130-029.0 (4.440-077.0)	43
71 Nozzle mounted	45

POS	Description	Quantity	Unit	Foot note text
10	Cover	1	PC	
20	Vacuum motor	1	PC	
30	Filter	1	PC	
40	Tank	1	PC	
50	Accessories	1	PC	VERSION 1
50	Accessories	1	PC	VERSION 2
60	Add-on kit nonconducting media	1	PC	
70	Add-on kit lane nozzle	1	PC	
71	Nozzle mounted	1	PC	



## 10 Cover

POS	Article no.	Description	Quantity	Unit
12	2.286-002.0	Insulating mat set cover	1	PC
14	4.322-002.0	Handhold set	1	PC
10	5.069-270.0	Cover	1	PC
8	5.394-906.0	Holder switch	1	PC
11	5.501-079.0	Hinge control panel	2	PC
2	5.744-023.3	Handle	1	PC
6	5.841-527.0	Control panel	1	PC
15	6.343-145.0	Lock washer 5	2	PC
13	6.343-169.0	Quick-fastener	4	PC
7	6.630-425.0	Rotary switch	1	PC
4	7.303-086.0	Screw 5x30 -10.9-R2R (K-In6Rd)	2	PC
9	7.303-117.0	Screw 4x20 -A2-70 (In6Rd)	2	PC
1	7.303-171.0	Screw 5x80 -10.9-R2R (K-In6Rd)	9	PC



## 20 Vacuum motor

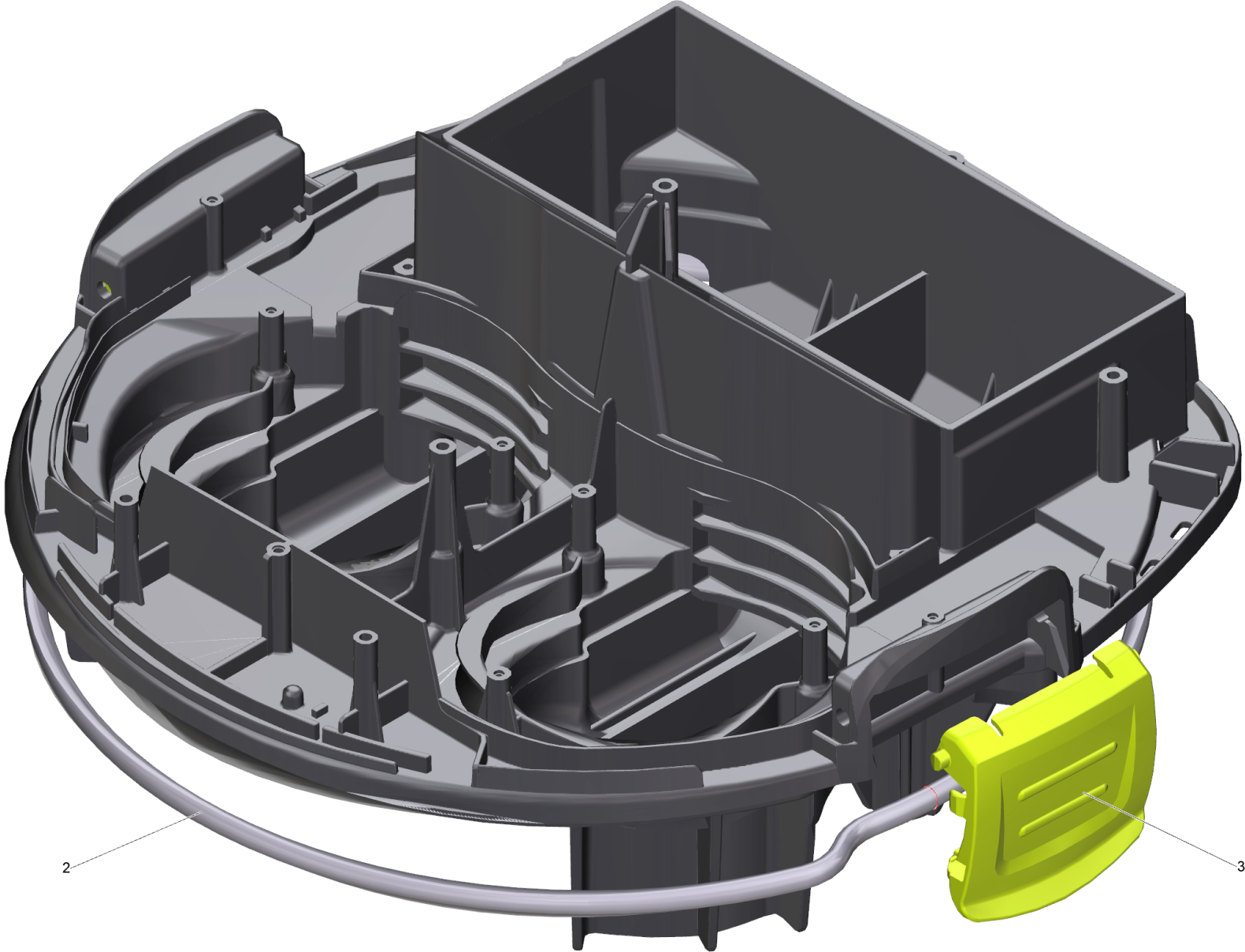
POS	Article no.	Description	Quantity	Unit
24	2.286-003.0	Insulating mat air circulation Set	1	PC
1	2.363-001.0	Seal turbine Set	2	PC
14	4.605-125.0	Housing base plate complete	1	PC
35	4.839-425.0	Electrical small parts	1	PC
21	5.033-434.3	Locking clip	2	PC
10	5.033-553.0	Covering cap power cable	1	PC
30	5.044-950.3	Holder electronics	1	PC
19	5.107-287.0	Probe	2	PC
7	5.195-290.0	Bearing blower	2	PC
18	5.332-471.0	Spring electrically conducting	1	PC
12	5.363-729.0	Seal supply air	1	PC
29	5.394-867.0	Holder insulating mat	1	PC
28	5.394-894.0	Holder insulating mat right	1	PC
8	5.401-322.0	Insert housing base plate	2	PC
3	5.605-340.0	Housing turbine	2	PC
27	5.605-353.0	Housing air circulation	1	PC
20	6.312-130.0	Washer	2	PC
16	6.343-139.0	Lock washer	1	PC
31	6.343-145.0	Lock washer 5	6	PC
23	6.346-043.0	Ferrite ring	1	PC
15	6.362-857.0	Cord cellular rubber D10	1	PC
5	6.490-245.0	Blower motor 230V	2	PC
36	6.643-145.0	Label earthing	1	PC
4	6.649-678.0	Cable turbine	4	PC
11	6.649-792.0	Power cable rubber two-core 10m *EU	1	PC
26	6.649-914.0	Tab	1	PC
11	6.649-915.0	Power cable three-core 10m *EU	1	PC
33	6.651-094.0	Extension cable rubber *EU 20m 230V/16A	1	PC
22	6.682-980.0	Electronics	1	PC
13	6.907-277.0	Flat pleated filter PE M 0,95 m <sup>2</sup>	1	PC
2	7.303-085.0	Screw 4x 35 -10.9-R2R (K-In6Rd)	8	PC
9	7.303-096.0	Screw 4x22-ST-10.9-R2R (IN6RD)	2	PC
17	7.303-129.0	Screw 4x16-10.9-R2R (K-In6Rd)	2	PC

20 Vacuum motor

---

POS	Article no.	Description	Quantity	Unit
32	7.303-171.0	Screw 5x80 -10.9-R2R (K-In6Rd)	2	PC

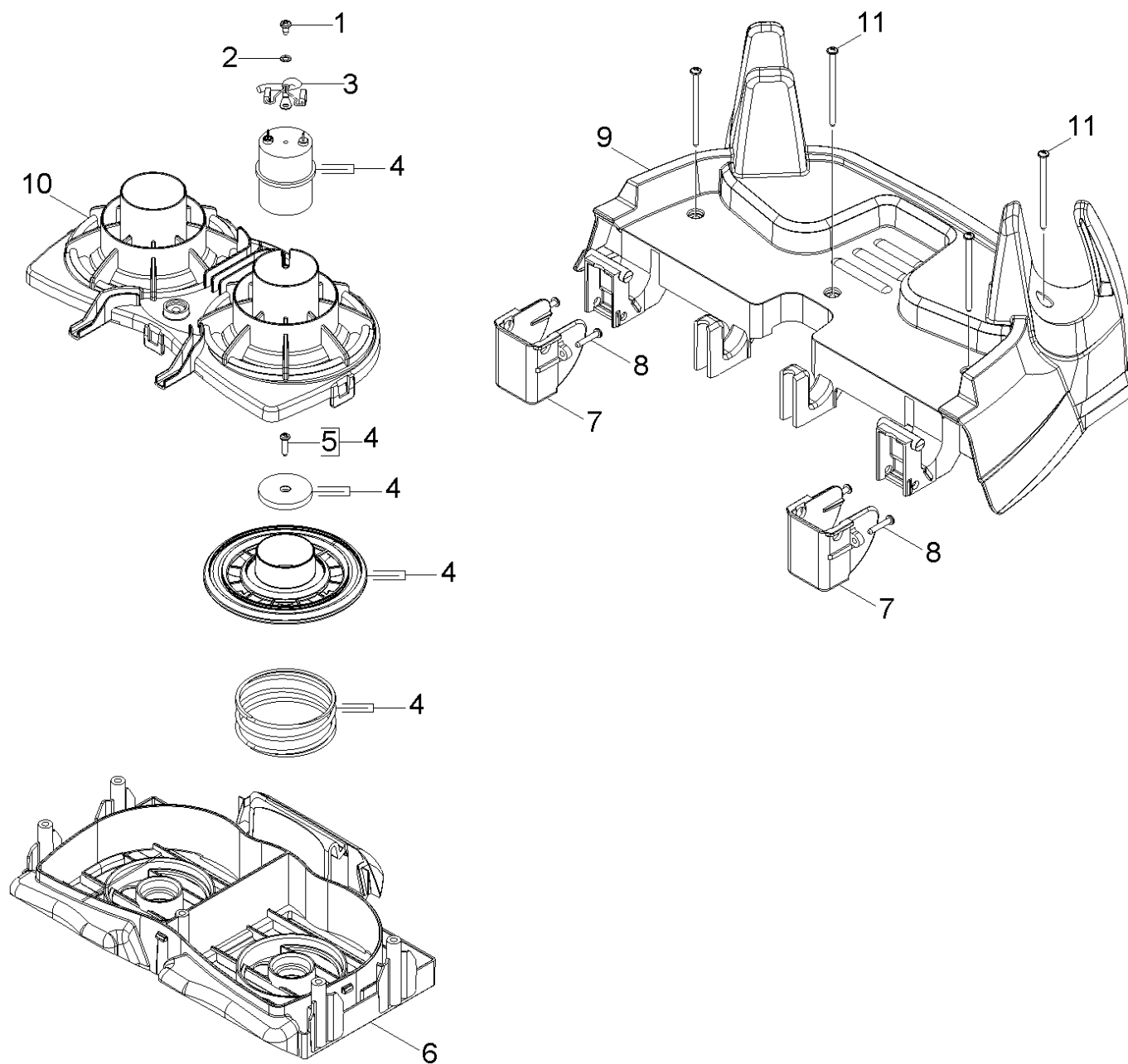




14 Housing base plate complete (4.605-125.0)

---

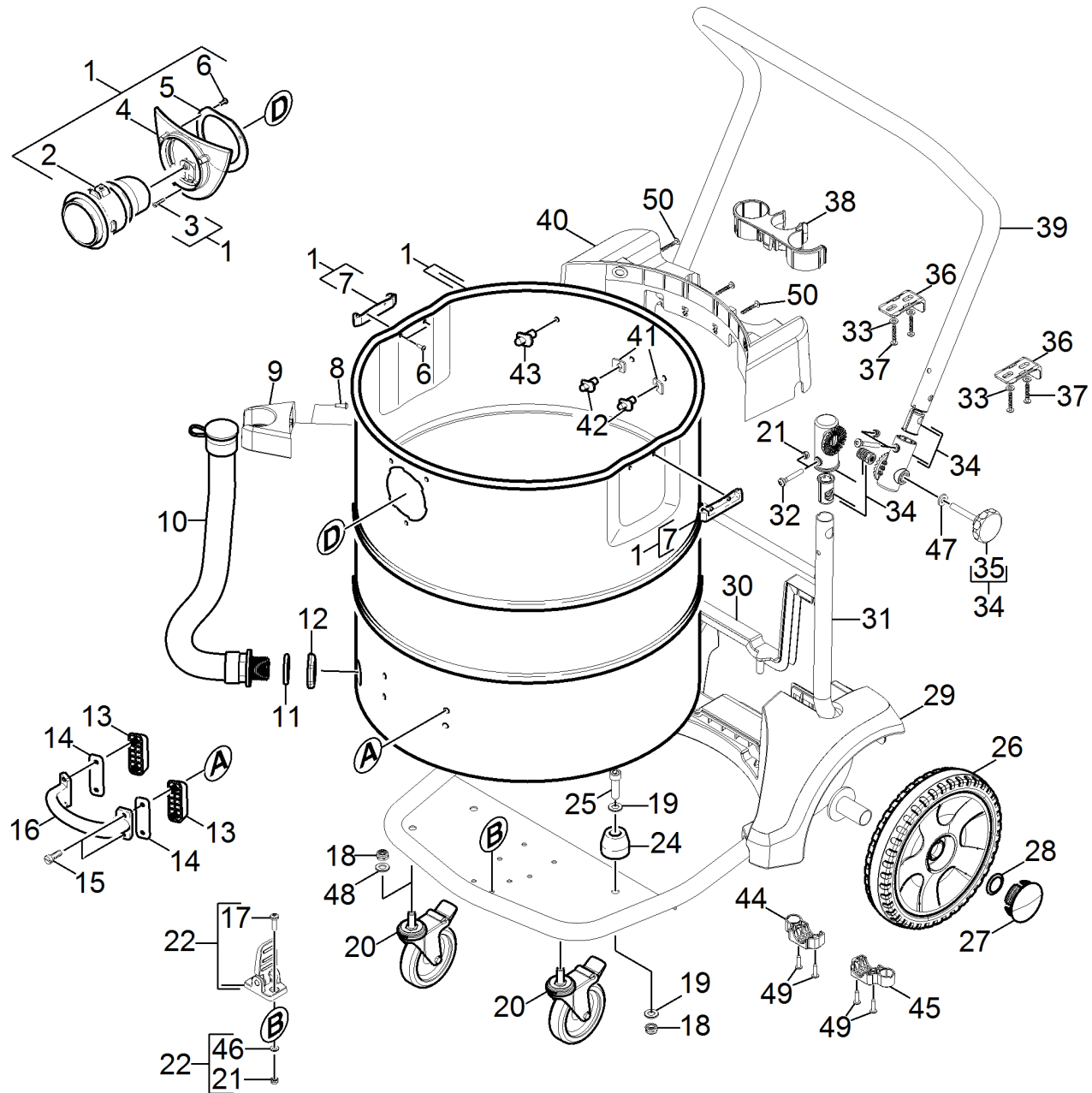
<b>POS</b>	<b>Article no.</b>	<b>Description</b>	<b>Quantity</b>	<b>Unit</b>
3	5.033-434.3	Locking clip	2	PC
2	6.362-857.0	Cord cellular rubber D10	1	PC



## 30 Filter

---

<b>POS</b>	<b>Article no.</b>	<b>Description</b>	<b>Quantity</b>	<b>Unit</b>
4	2.653-001.0	Magnet Set	2	PC
10	5.044-914.3	Holder magnet	1	PC
7	5.044-976.3	Holder cover filter	2	PC
9	5.064-321.3	Cover plate filter	1	PC
6	5.605-342.0	Housing backwashing	1	PC
5	6.303-568.0	Oval head screw with hexalobular socket	2	PC
3	6.649-786.0	Cable magnet	1	PC
1	7.303-030.0	Screw M4x8 -St-P2R (In6Rd)	2	PC
8	7.303-096.0	Screw 4x22-ST-10.9-R2R (IN6RD)	4	PC
11	7.303-171.0	Screw 5x80 -10.9-R2R (K-In6Rd)	5	PC
2	7.312-039.0	Serrated lock washer A4,3-1.4310 DIN 67	2	PC

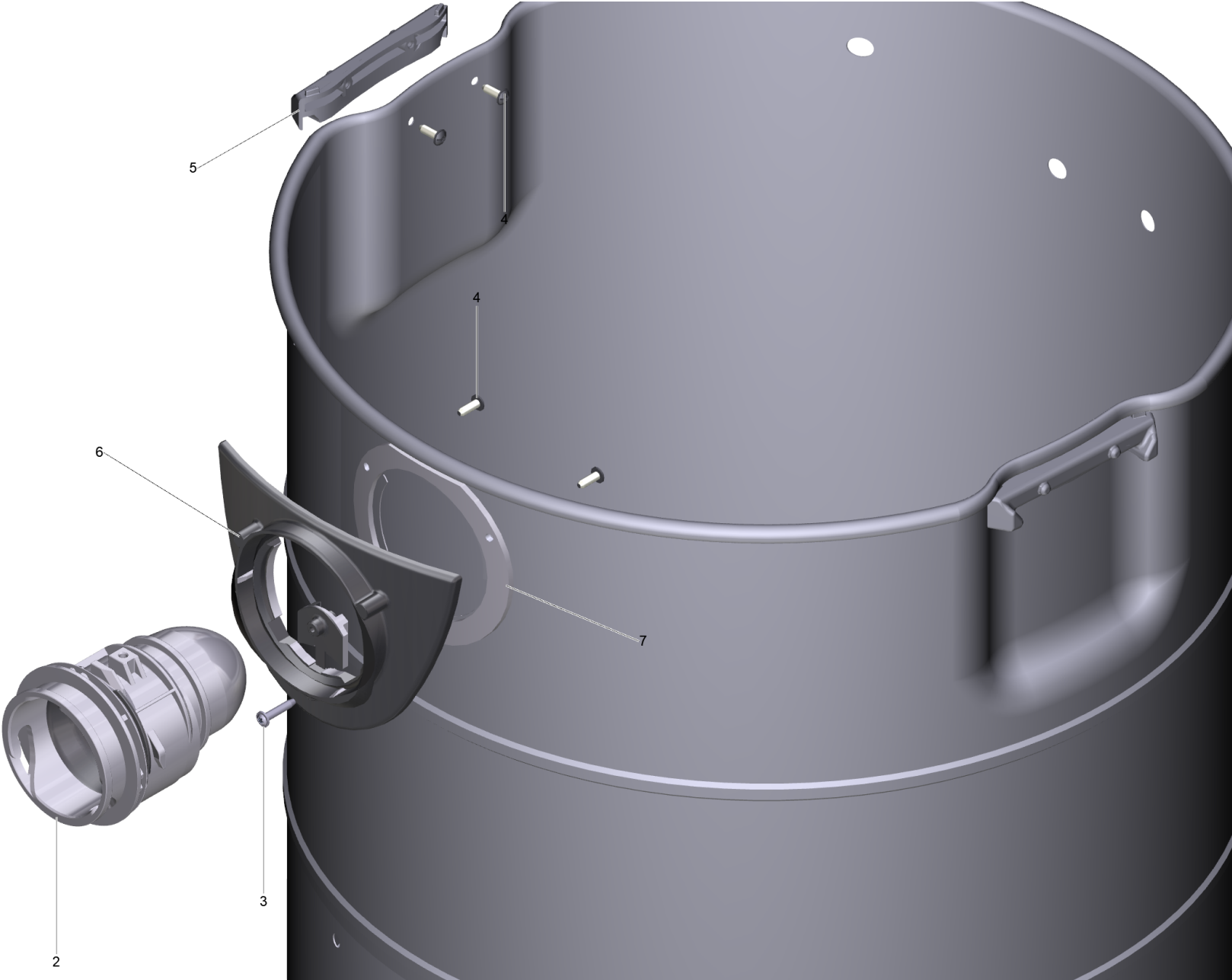


## 40 Tank

POS	Article no.	Description	Quantity	Unit	valid from	valid until	Foot note text
31	4.051-279.0	Tilting chassis komplett	1	PC			
1	4.071-205.0	Tank metal replacement	1	PC		100000	
1	4.071-652.0	Tank metal replacement 75l	1	PC	100001		
34	4.210-254.0	Joint set	2	PC			
22	4.251-053.0	Locking part kpl.	1	PC			
26	4.515-255.0	Wheel	1	PC			
2	5.031-602.0	Suction connection	1	PC		100000	
12	5.031-940.0	Hexagon nut	1	PC			
43	5.032-285.0	Fixing	2	PC			
42	5.032-366.0	TASSELLO PER CONTENITORE NT 72/2	2	PC			
7	5.032-383.3	Holder closure	2	PC			
4	5.032-412.3	Adapter box metal	1	PC			
30	5.033-603.3	Covering cap	1	PC			
36	5.033-604.0	Slider	2	PC			
2	5.034-098.0	Suction nipple electrically conducting O	1	PC	100001		
39	5.034-900.3	Shearing shackle	1	PC			
13	5.036-082.0	Holder-up handhold	2	PC			VERSION 2
38	5.044-948.0	Holder accessories small	1	PC			
9	5.044-994.3	Holder Drain hose	1	PC			
40	5.044-995.3	Holder tilting chassis Me Tc	1	PC			
16	5.321-699.3	Handhold	1	PC			
24	5.332-502.0	Rubber buffer	2	PC			
5	5.363-591.0	Seal	1	PC			
41	5.363-592.0	Seal	2	PC			
27	5.392-035.0	Wheel cap	2	PC			
44	5.394-909.0	Holder axle right	2	PC			
45	5.394-910.0	Holder axle left	2	PC			
29	5.521-043.3	Covering rear Me	1	PC			
14	6.273-039.0	Seal	2	PC			VERSION 2
35	6.303-552.0	Star grip with screw	2	PC			
28	6.343-162.0	Lock washer -25	2	PC			
11	6.363-250.0	Joint ring 32x44	1	PC			

## 40 Tank

POS	Article no.	Description	Quantity	Unit	valid from	valid until	Foot note text
10	6.392-995.0	Drain hose DN 32 Verschluss gelb	1	PC			
20	6.435-829.0	Castor with brake	2	PC			
49	7.303-086.0	Screw 5x30 -10.9-R2R (K-In6Rd)	12	PC			
15	7.303-105.0	Screw 5x25 -A2-70-bk (In6Rd)	4	PC			VERSION 2
37	7.303-108.0	Screw 5x20 -10.9-R2R (In6Rd)	4	PC			
8	7.303-109.0	Screw 5x25 -10.9-R2R (In6Rd)	2	PC			
50	7.303-110.0	Screw 5x35 -10.9-R2R (In6Rd)	4	PC			
6	7.303-116.0	Screw 4x12-A2-70 (IN6RD)	6	PC			
3	7.303-129.0	Screw 4x16-10.9-R2R (K-In6Rd)	1	PC			
25	7.306-074.0	Cylinder head screw M10x35-8.8-A3E ISO4	2	PC			
32	7.306-129.0	Screw M6x40 -8.8-P2R (In6Rd)	4	PC			
18	7.311-423.0	Hexagon nut M10 -04-A2E DIN 985	2	PC			
21	7.311-425.0	Hexagon nut M6-04-A2E DIN 985	6	PC			
19	7.312-005.0	Washer 10-200HV-A3E ISO 7089	4	PC			
46	7.312-045.0	Washer 6-200HV-P4E ISO 7089	2	PC			
47	7.312-090.0	Spring washer B8-FSt-A2E DIN 137	2	PC			
33	7.312-140.0	Washer 6-160HV-A3E ISO 8738	4	PC			
48	7.312-285.0	Washer 10 -200HV-A2E ISO7093-1	2	PC			

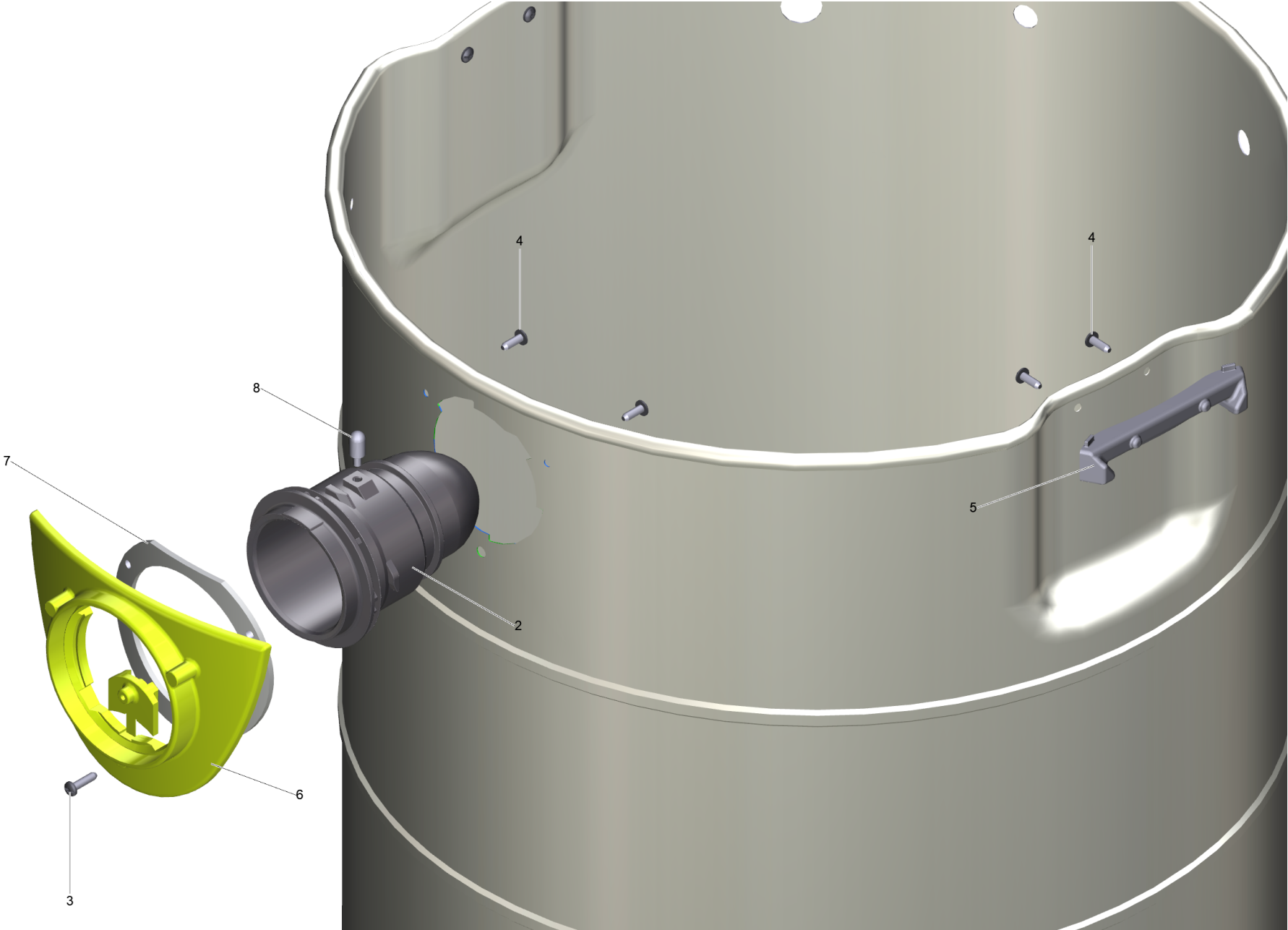




## 1 Tank metal replacement (4.071-205.0)

---

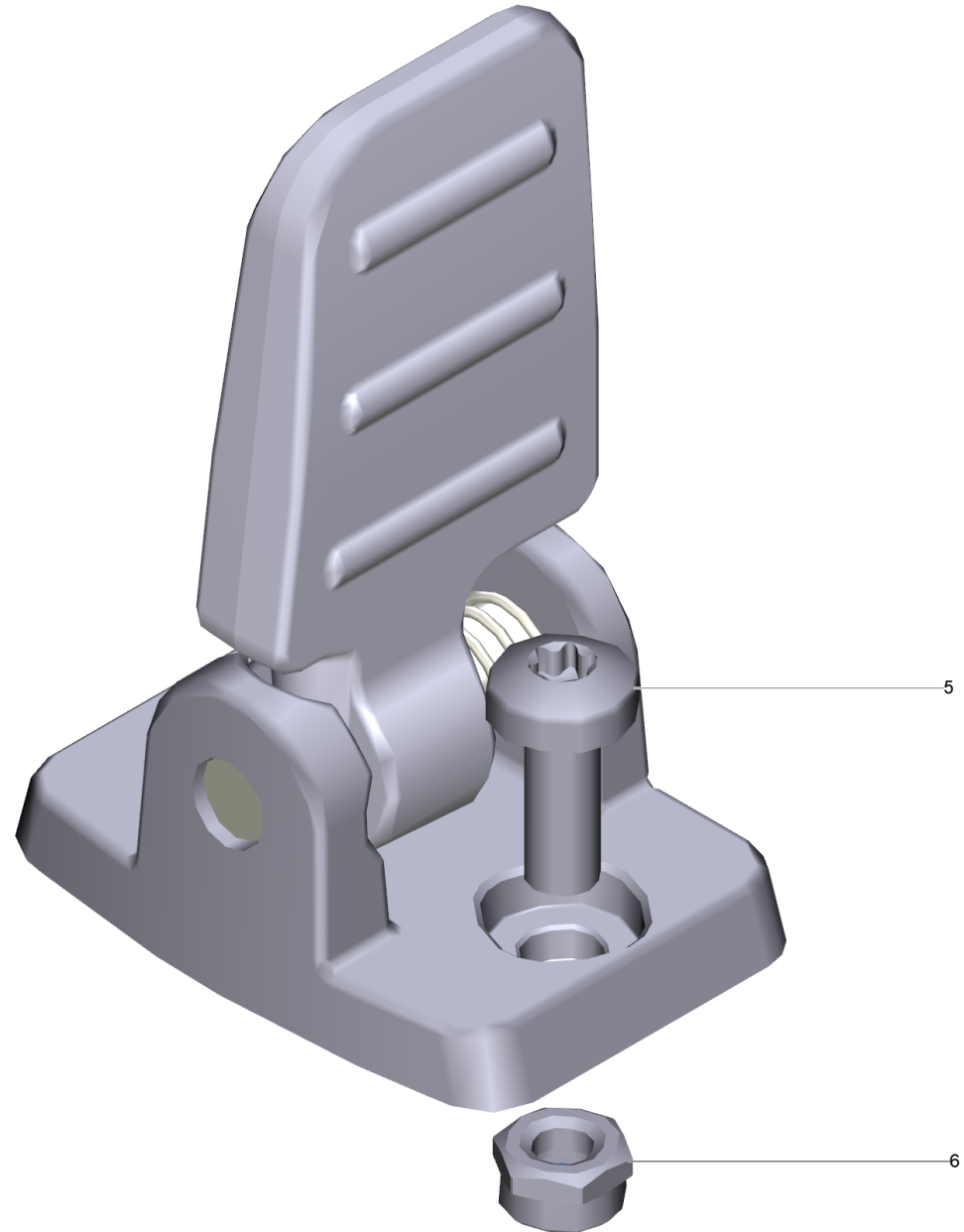
<b>POS</b>	<b>Article no.</b>	<b>Description</b>	<b>Quantity</b>	<b>Unit</b>
5	5.032-383.3	Holder closure	2	PC
6	5.032-412.3	Adapter box metal	1	PC
2	5.034-098.0	Suction nipple electrically conducting O	1	PC
7	5.363-591.0	Seal	1	PC
4	7.303-116.0	Screw 4x12-A2-70 (IN6RD)	6	PC
3	7.303-117.0	Screw 4x20 -A2-70 (In6Rd)	1	PC



## 1 Tank metal replacement 75l (4.071-652.0)

---

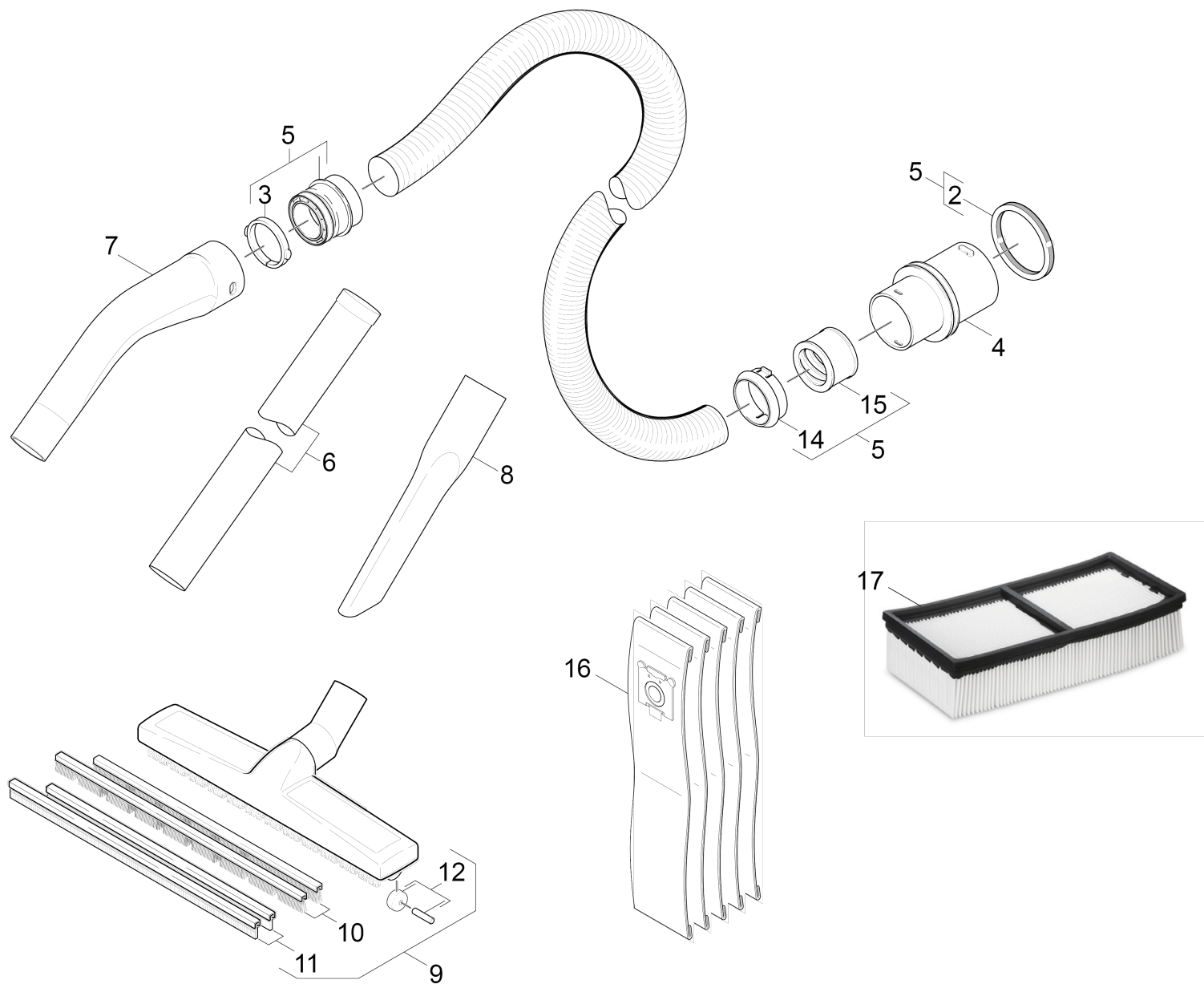
<b>POS</b>	<b>Article no.</b>	<b>Description</b>	<b>Quantity</b>	<b>Unit</b>
5	5.032-383.3	Holder closure	2	PC
6	5.032-412.3	Adapter box metal	1	PC
2	5.034-098.0	Suction nipple electrically conducting O	1	PC
8	5.317-099.0	Bolt electrically conducting	1	PC
7	5.363-591.0	Seal	1	PC
4	7.303-116.0	Screw 4x12-A2-70 (IN6RD)	6	PC
3	7.303-117.0	Screw 4x20 -A2-70 (In6Rd)	1	PC



22 Locking part kpl. (4.251-053.0)

---

<b>POS</b>	<b>Article no.</b>	<b>Description</b>	<b>Quantity</b>	<b>Unit</b>
5	7.306-193.0	Screw M6x16 -A2-70 (In6Rd)	2	PC
6	7.311-425.0	Hexagon nut M6-04-A2E DIN 985	2	PC



## 50 Accessories

POS	Article no.	Description	Quantity	Unit
12	4.515-342.0	Roller complete with axle	2	PC
7	5.031-904.0	Elbow	1	PC
3	5.031-905.0	Tension ring C40	1	PC
8	5.130-655.0	Crevice nozzle DN 40 300mm 1:50	1	PC
14	5.262-013.0	Clamping ring DN40	1	PC
15	5.363-313.0	Joint ring	1	PC
4	5.443-477.0	Hosebarb DN40	1	PC
2	6.273-009.0	Joint ring EPDM	1	PC
6	6.900-275.0	Suction tube DN40-0,55m	2	PC
16	6.904-285.0	Filter bags 5St. -NT 65/2 ECO	1	PC
11	6.905-877.0	Rubber lip set only for replacement	1	PC
10	6.905-878.0	Brush strips set only for replacement	1	PC
5	6.906-321.0	Suction hose C40 4m	1	PC
9	6.907-408.0	Floor tool packaged basalt grey DN40	1	PC
17	6.907-449.0	Flat pleated filter PE/PTFE M 0,95 m <sup>2</sup>	1	PC

9 Floor tool packaged basalt grey DN40 (6.907-408.0)

---

<b>POS</b>	<b>Article no.</b>	<b>Description</b>	<b>Quantity</b>	<b>Unit</b>
10	4.515-342.0	Roller complete with axle	1	PC
20	6.905-877.0	Rubber lip set only for replacement	1	PC
30	6.905-878.0	Brush strips set only for replacement	1	PC

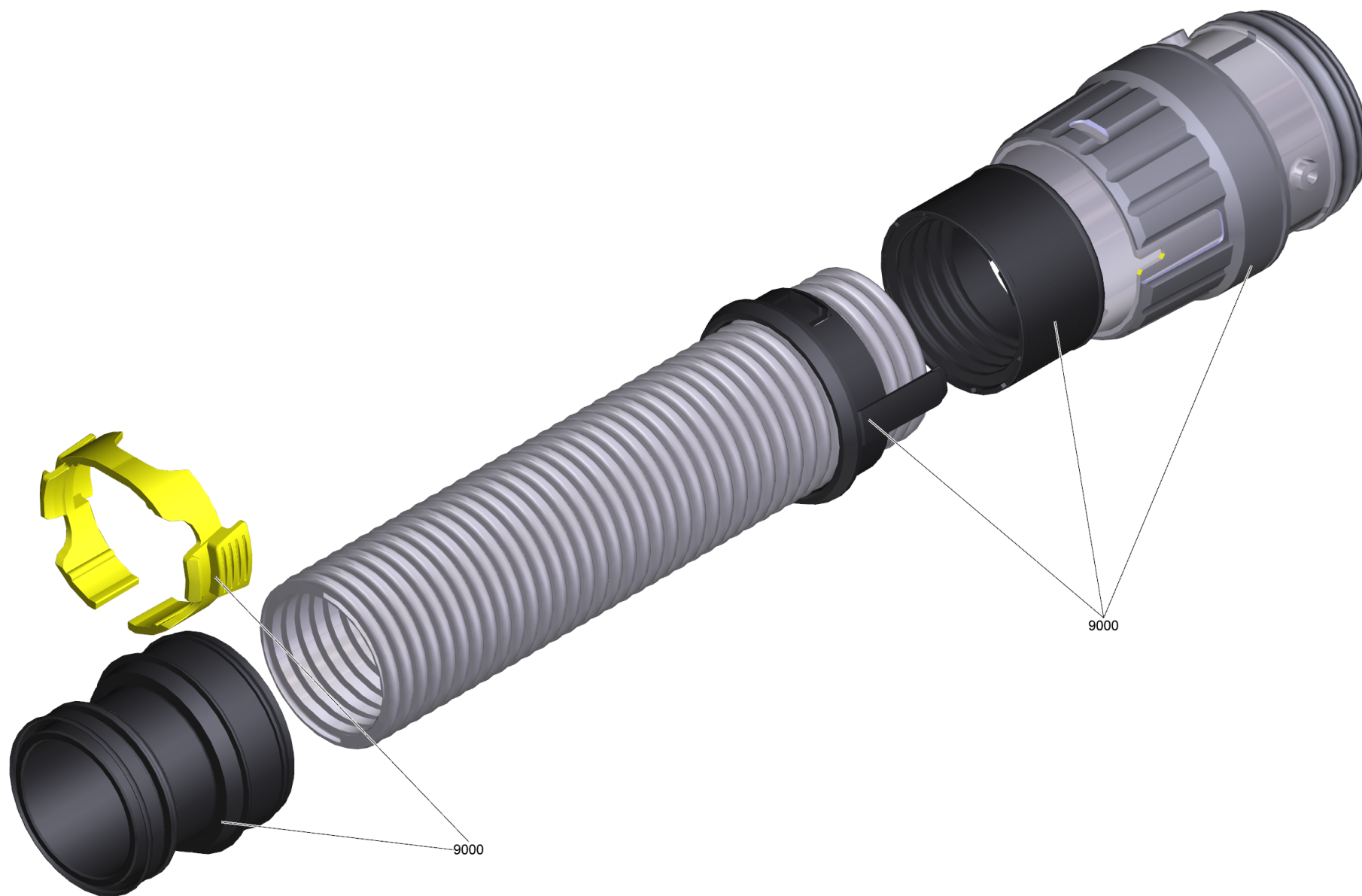




## 50 Accessories

---

POS	Article no.	Description	Quantity	Unit
909	2.840-095.0	Car nozzle packaged NW 40	1	PC
901	2.889-141.0	Hose electrically conducting packaged NW	1	PC
908	2.889-146.0	Extension hose packaged NW40 2.5m	1	PC
902	2.889-153.0	Floor tool packaged NW40 360mm	1	PC
904	2.889-172.0	Elbow electrically conducting NW40 1K	1	PC
905	2.889-194.0	Set suction tube stainless steel NW40 55	1	PC
906	5.130-655.0	Crevice nozzle DN 40 300mm 1:50	1	PC
903	6.904-285.0	Filter bags 5St. -NT 65/2 ECO	1	PC
907	6.907-449.0	Flat pleated filter PE/PTFE M 0,95 m <sup>2</sup>	1	PC



901 Hose electrically conducting packaged NW (2.889-141.0)

---

<b>POS</b>	<b>Article no.</b>	<b>Description</b>	<b>Quantity</b>	<b>Unit</b>
9000	2.889-150.0	Repair set NW40	1	PC

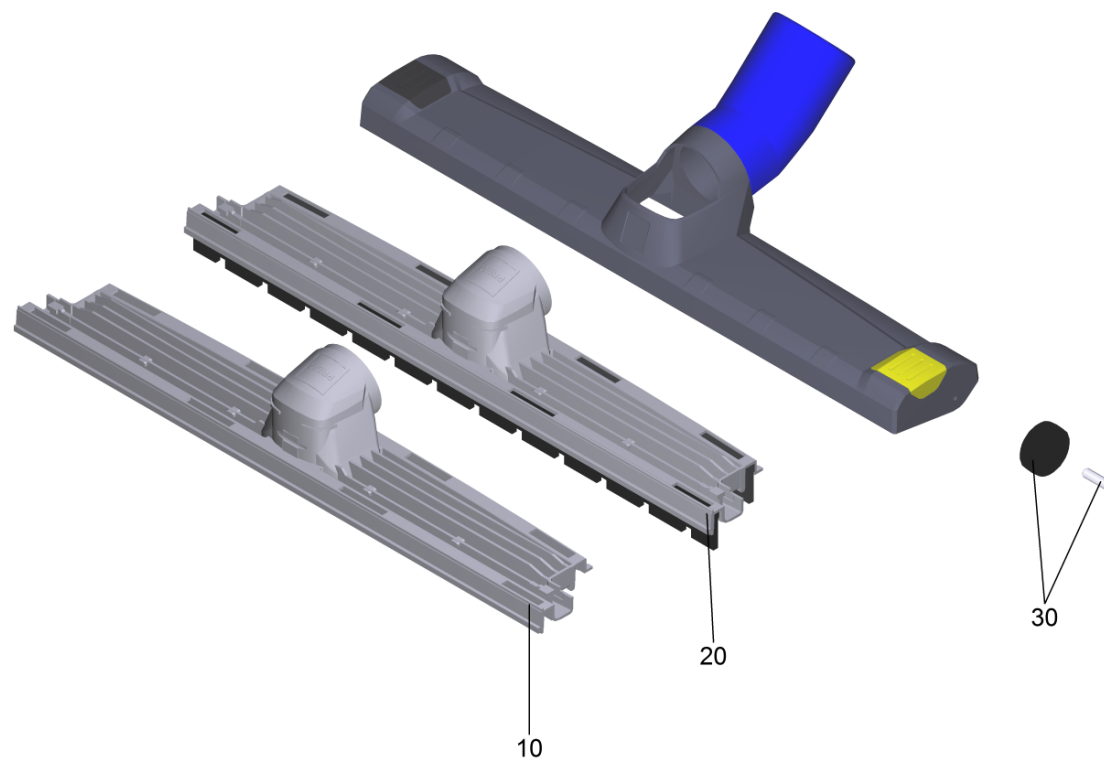
---



9000 Repair set NW40 (2.889-150.0)

---

<b>POS</b>	<b>Article no.</b>	<b>Description</b>	<b>Quantity</b>	<b>Unit</b>
5	5.031-213.0	Tension ring NW40	1	PC
3	5.406-006.0	Threaded ring electrically conducting NW	1	PC

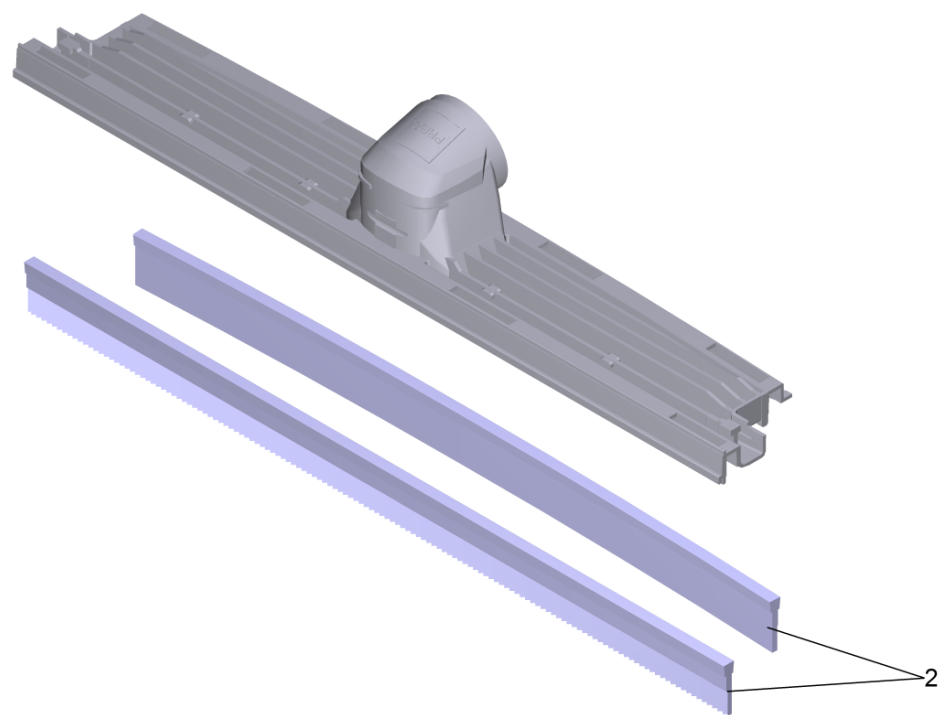


902 Floor tool packaged NW40 360mm (2.889-153.0)

---

<b>POS</b>	<b>Article no.</b>	<b>Description</b>	<b>Quantity</b>	<b>Unit</b>
30	4.515-342.0	Roller complete with axle	1	PC
20	4.862-017.0	Assembly group holder brush strips	1	PC
10	4.862-020.0	Assembly group holder rubber lips	1	PC

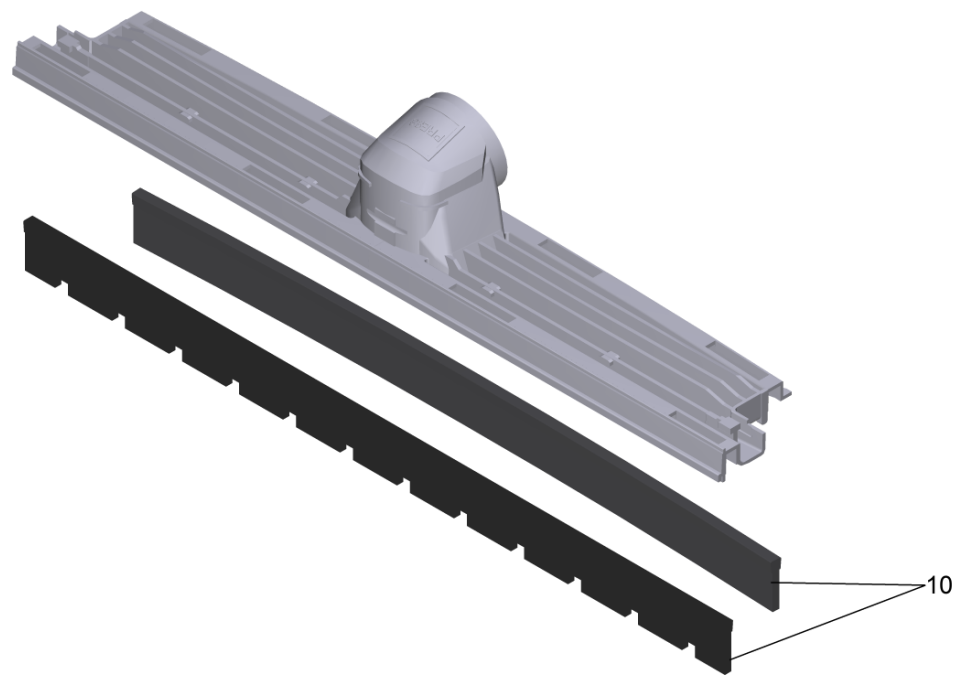




10 Assembly group holder rubber lips (4.862-020.0)

---

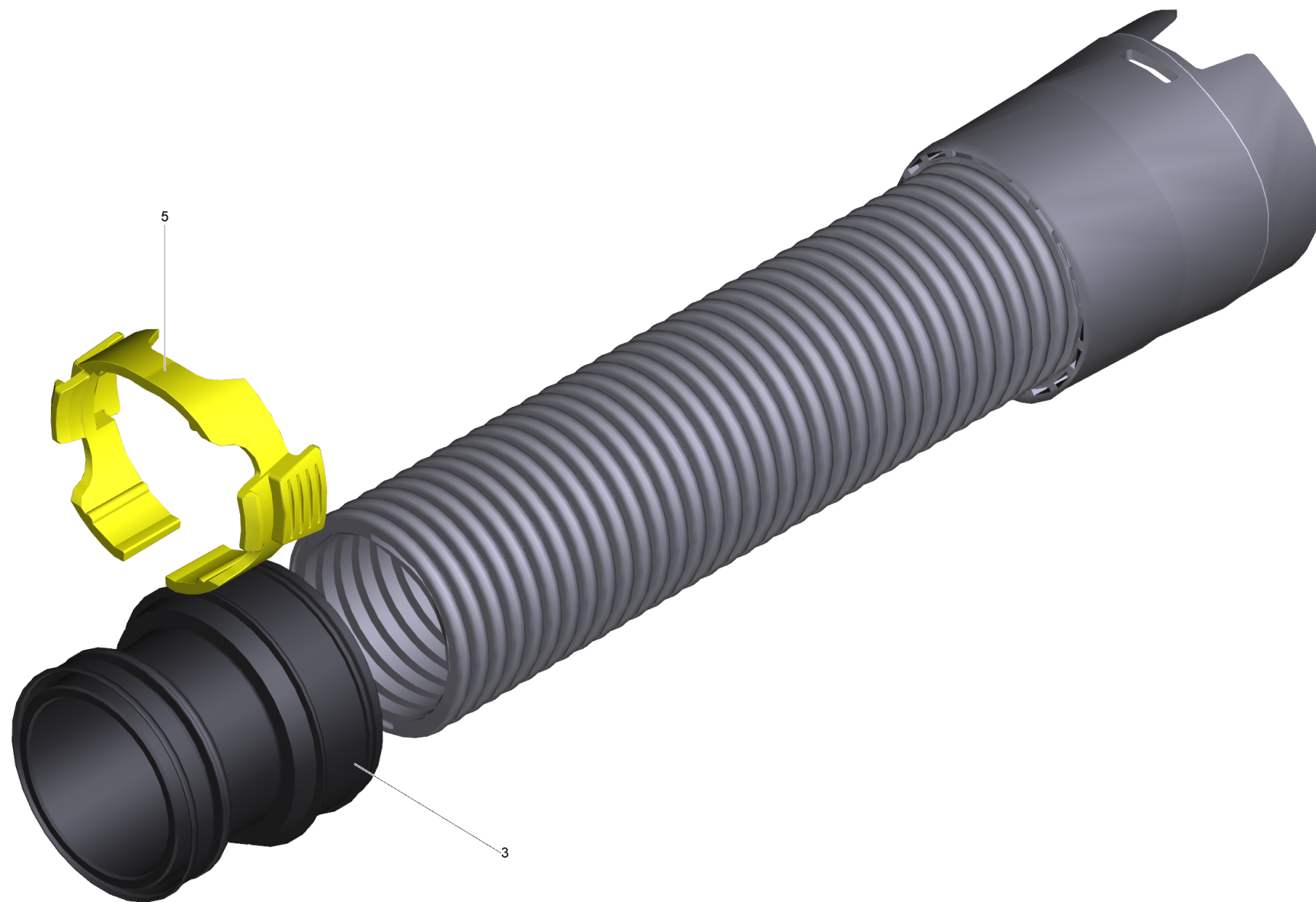
<b>POS</b>	<b>Article no.</b>	<b>Description</b>	<b>Quantity</b>	<b>Unit</b>
2	4.071-607.0	Rubber lips packaged	1	PC



20 Assembly group holder brush strips (4.862-017.0)

---

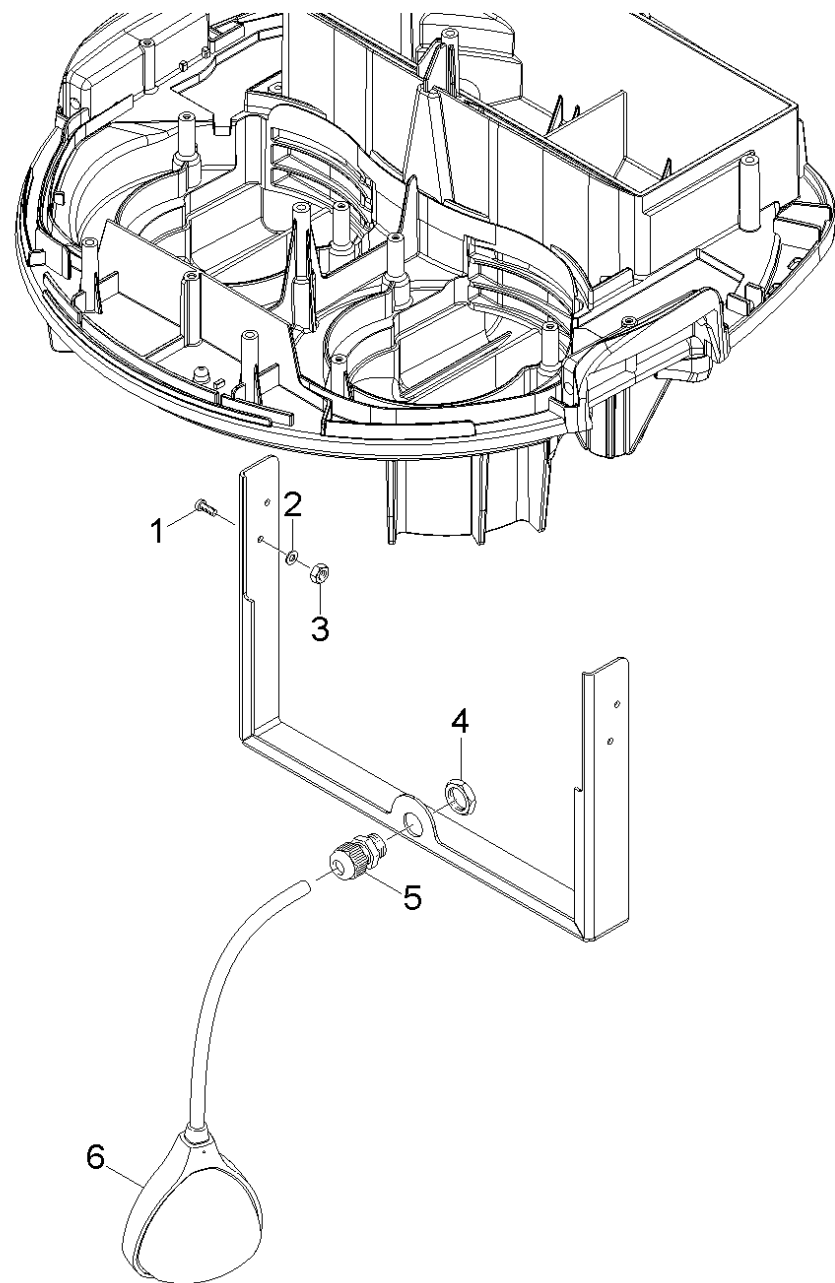
<b>POS</b>	<b>Article no.</b>	<b>Description</b>	<b>Quantity</b>	<b>Unit</b>
10	4.071-606.0	Spare parts set brush strip packaged	1	PC



908 Extension hose packaged NW40 2.5m (2.889-146.0)

---

<b>POS</b>	<b>Article no.</b>	<b>Description</b>	<b>Quantity</b>	<b>Unit</b>
5	5.031-213.0	Tension ring NW40	1	PC
3	5.406-004.0	Threaded ring NW40	1	PC

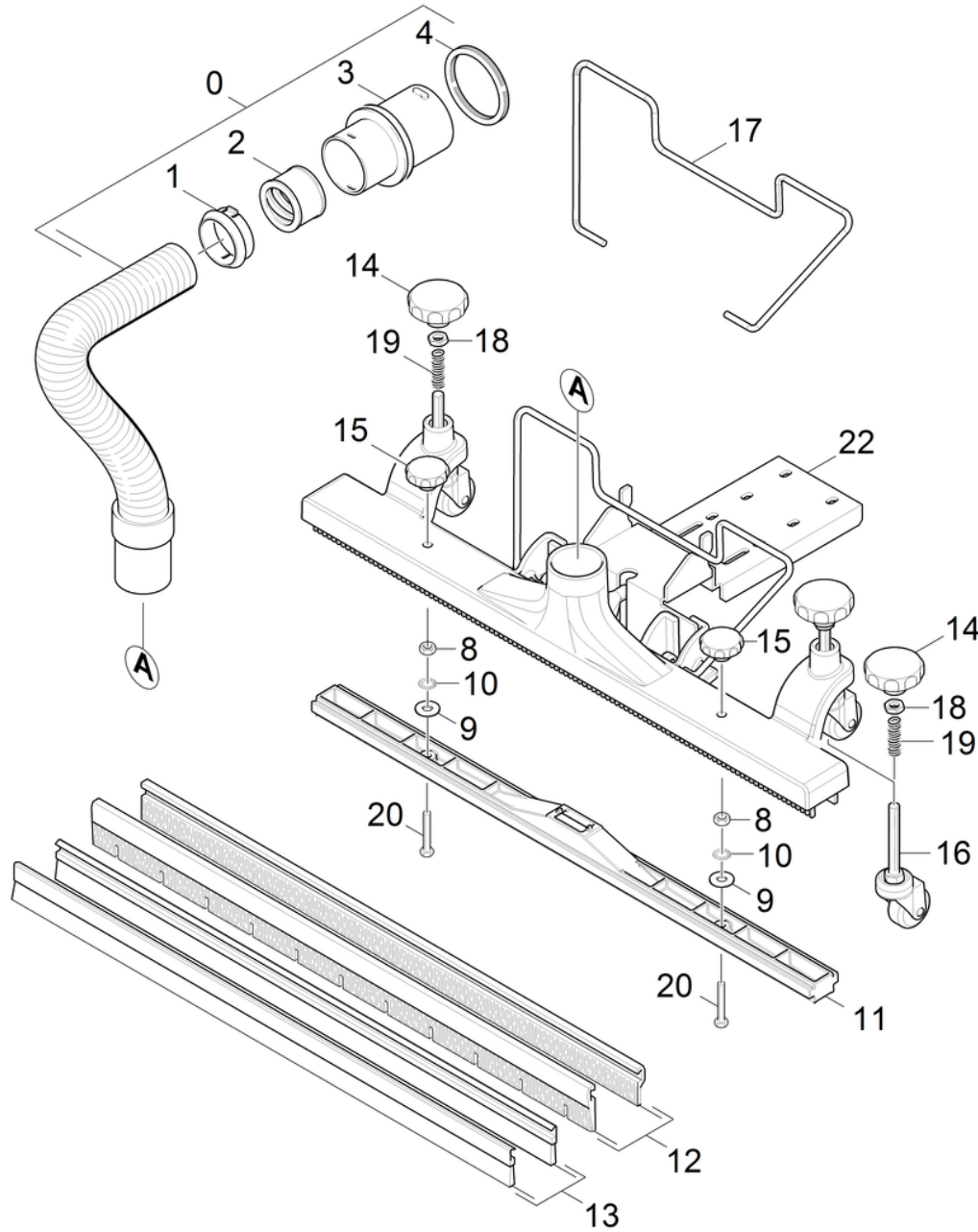


## 60 Add-on kit nonconducting media

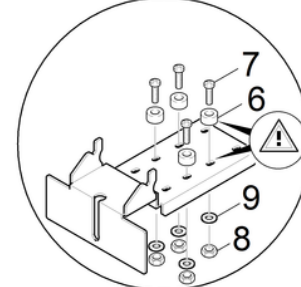
---

<b>POS</b>	<b>Article no.</b>	<b>Description</b>	<b>Quantity</b>	<b>Unit</b>
6	4.645-379.0	Float regulator complete	1	PC
5	6.648-399.0	Cable gland black M16x1,5	1	PC
4	6.648-415.0	Locknut black M16	1	PC
1	7.306-208.0	Screw M 4x16-A2-70 (IN6RD)	4	PC
3	7.311-516.0	Hexagon nut M4-A2-70 DIN 985	4	PC
2	7.312-067.0	Washer 4-A2 ISO 7089	4	PC

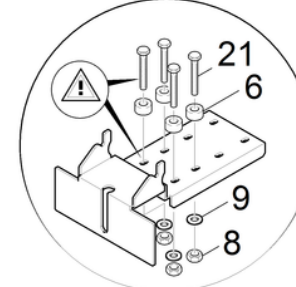




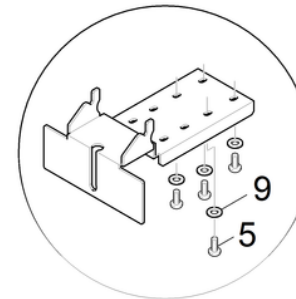
NT 65/2 Eco TC  
 NT 72/2 Eco TC ,  
 NT 702 Eco TC  
 NT 702i



NT 65/2 Eco Me

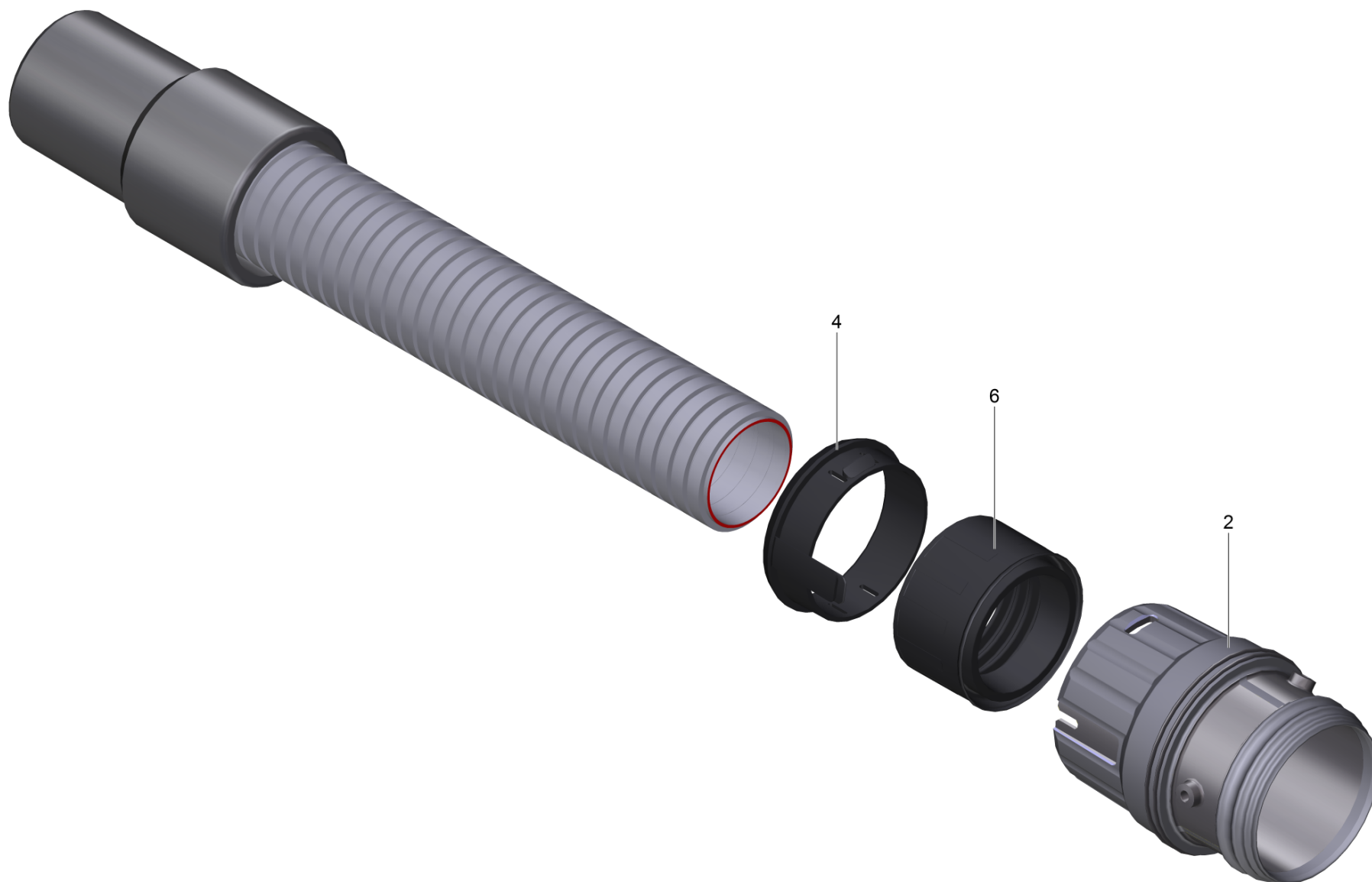


NT 802i



## 70 Add-on kit lane nozzle

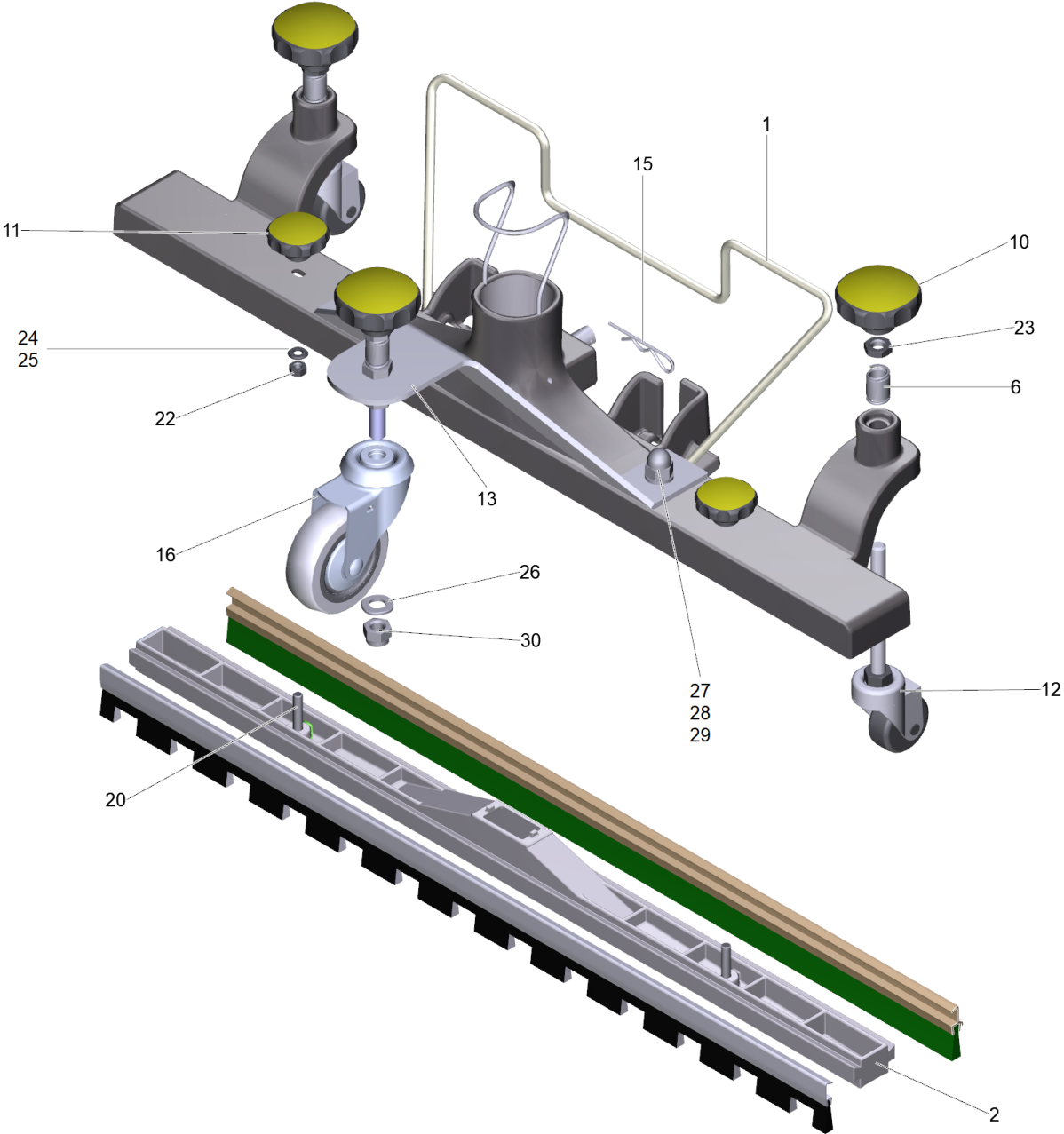
POS	Article no.	Description	Quantity	Unit	valid from	valid until
0	4.440-077.0	Hose complete 4.130-029.0	1	PC	100001	
0	4.440-780.0	Hose complete	1	PC		100000
17	5.034-741.0	Strap lane nozzle	1	PC		
22	5.043-040.0	Holder sheet metal component	1	PC		
6	5.111-007.0	Sleeve	4	PC		
11	5.130-400.0	Nozzle bottom part roadway	1	PC		
19	5.332-433.0	Helical spring	2	PC		
3	5.443-477.0	Hosebarb DN40	1	PC		
4	6.273-009.0	Joint ring EPDM	1	PC		
14	6.321-187.0	Star grip D55 M10	2	PC		
15	6.321-188.0	Star grip D40 M6	2	PC		
16	6.435-724.0	Castor	2	PC		
1	6.902-068.0	Snap-in ring	1	PC		
2	6.902-069.0	Threaded ring	1	PC		
12	6.906-750.0	Brush strips set	1	PC		
13	6.906-751.0	Rubber lip set	1	PC		
21	7.304-113.0	Hexagonal head screw M 6x60-A4-70 ISO 4	4	PC		
20	7.304-549.0	Hexagonal head screw M 6x30-A4-70 ISO 4	2	PC		
5	7.306-194.0	Screw M6x20 -A2-70 (In6Rd) ISO 14583	4	PC		
7	7.306-198.0	Screw M 6x40-A2-70 (IN6RD)	4	PC		
8	7.311-067.0	Hexagon nut M 6-A2-70 ISO 4032	6	PC		
18	7.311-204.0	Hexagon nut M10 -A4-035 ISO 4035	2	PC		
9	7.312-026.0	Washer 6 -A2 ISO 7089	6	PC		
10	7.312-305.0	Spring washer B 6-FST-A2E DIN 137	2	PC		



Hose complete 4.130-029.0 (4.440-077.0)

---

<b>POS</b>	<b>Article no.</b>	<b>Description</b>	<b>Quantity</b>	<b>Unit</b>
4	5.031-305.0	Snap-in ring anthracite NW40	1	PC
2	5.034-107.0	Suction connection bayonet NW40	1	PC
6	5.453-021.0	Joint ring NW40	1	PC



## 71 Nozzle mounted

POS	Article no.	Description	Quantity	Unit
13	4.071-758.0	Retaining bracket castor for replacement	1	PC
1	5.034-741.0	Strap lane nozzle	1	PC
2	5.130-400.0	Nozzle bottom part roadway	1	PC
6	5.332-433.0	Helical spring	3	PC
15	6.313-002.0	Spring clip 2,0	1	PC
10	6.321-187.0	Star grip D55 M10	3	PC
11	6.321-188.0	Star grip D40 M6	2	PC
12	6.435-724.0	Castor	2	PC
16	6.966-053.0	Castor	1	PC
20	7.304-549.0	Hexagonal head screw M 6x30-A4-70 ISO 4	2	PC
27	7.305-638.0	Countersunk screw M10x20 -A2-70 ISO 10642	2	PC
22	7.311-067.0	Hexagon nut M 6-A2-70 ISO 4032	2	PC
23	7.311-204.0	Hexagon nut M10 -A4-035 ISO 4035	4	PC
29	7.311-402.0	Cap nut M10-A1-50 DIN 1587	2	PC
30	7.311-524.0	Hexagon nut M10-A2-70 ISO 7040	1	PC
24	7.312-026.0	Washer 6 -A2 ISO 7089	2	PC
26	7.312-066.0	Washer 10 -A2 ISO 7089	1	PC
25	7.312-305.0	Spring washer B 6-FST-A2E DIN 137	2	PC
28	7.313-013.0	Spring washer B10-1.4310 DIN 127	2	PC