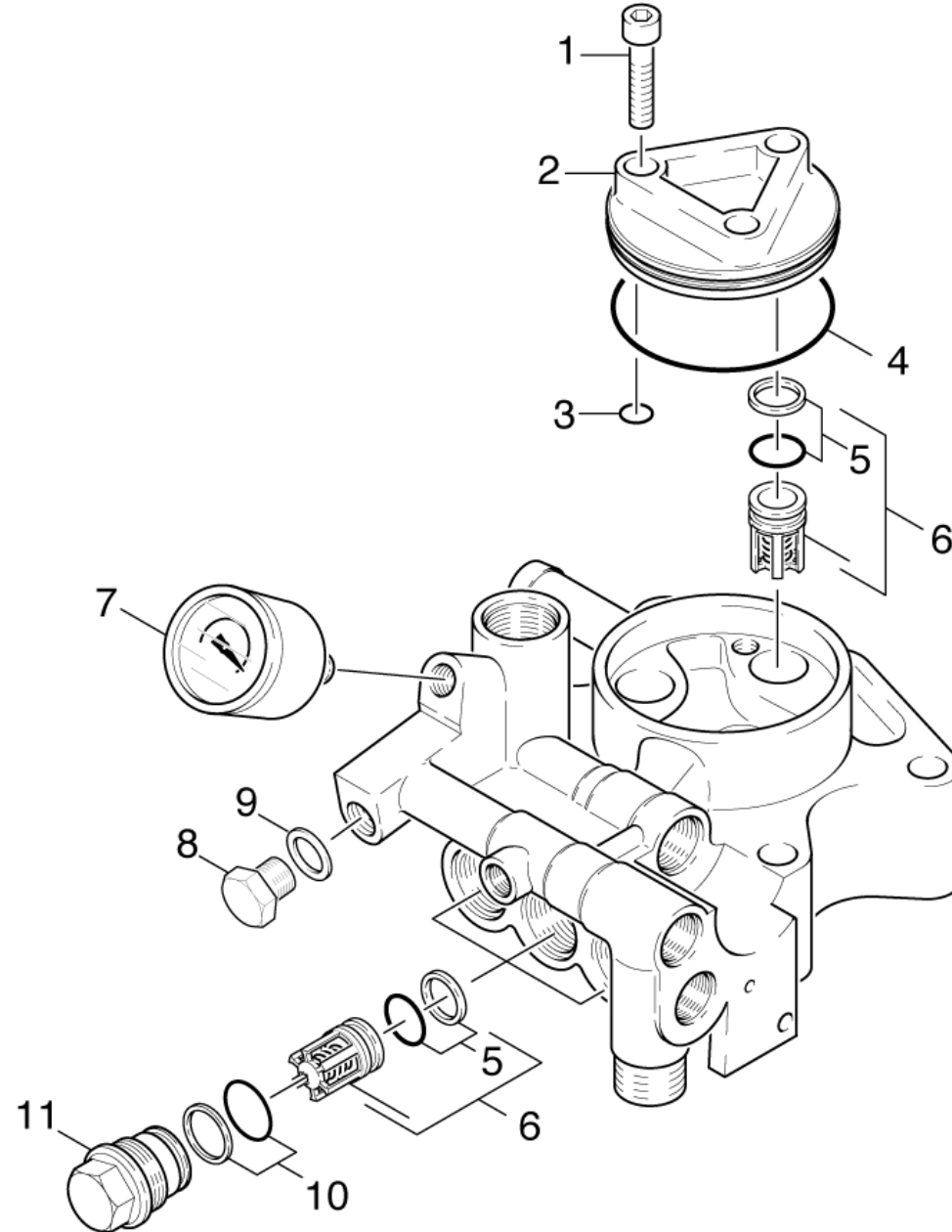


# 22 Valves

Professional \ High pressure cleaner cold water \ Electric motor \ HD 1090 SX \*EU \ Spare parts list HD 1090 SX \ Pump set \ Valves



## 22 Valves

Professional \ High pressure cleaner cold water \ Electric motor \ HD 1090 SX \*EU \ Spare parts list HD 1090 SX \ Pump set \ Valves

**KÄRCHER**

POS	Article no.	Description	Quantity	Unit
2	5.063-611.0	Cover housing	1	PC
1	7.306-074.0	Cylinder head screw M10x35-8.8-A3E ISO4	3	PC
9	7.362-004.0	Joint ring A12x15,5 -Cu DIN 7603	1	PC
3	6.362-858.0	O-Ring seal 11,0 X 1,5	3	PC
4	6.362-501.0	O-Ring seal 68,0 X 2,0-NBR 70	1	PC
10	6.362-500.0	O-Ring seal complete /1ST.-R.	3	PC
5	4.363-693.0	O-Ring seal kpl. -nur fuer Ersatz-	6	PC
7	6.421-214.0	Pressure gauge 0-300 BAR	1	PC
100	2.883-447.0	PUMP SET	1	PC
8	5.411-117.0	Screw plug	1	PC
6	2.884-906.0	TRIPLE VALVE	2	PC
11	5.583-125.0	Valve screw	3	PC