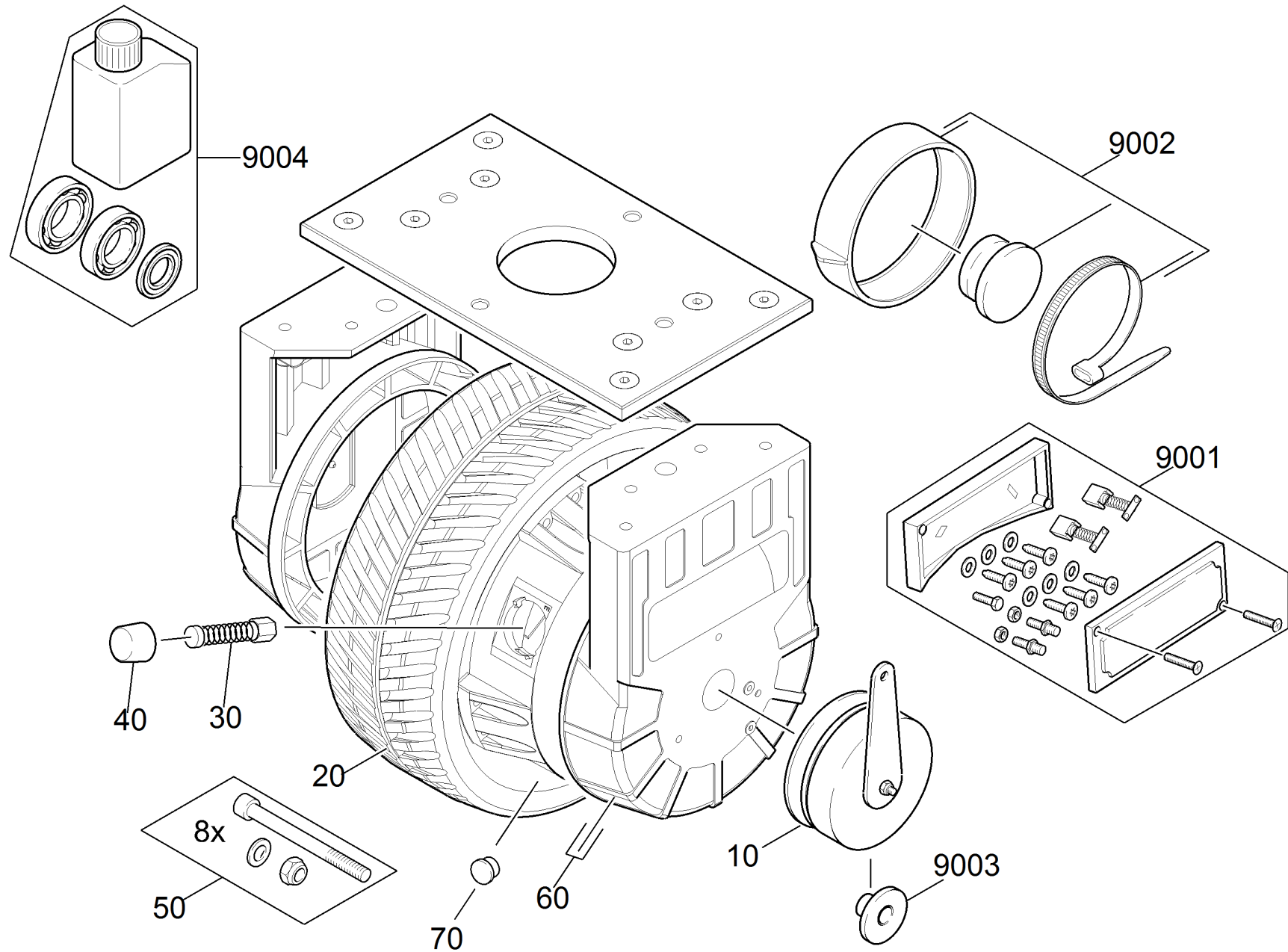


1 Wheel drive motor (6.613-315.0)

Professional \ Sweepers \ Electric motor \ KM 90/45 R *EU \ Spare parts list KM 90/45 R \ Individual parts \ Transmission \ Wheel drive motor



1 Wheel drive motor (6.613-315.0)

Professional \ Sweepers \ Electric motor \ KM 90/45 R *EU \ Spare parts list KM 90/45 R \ Individual parts \ Transmission \ Wheel drive motor

KÄRCHER

POS	Article no.	Description	Quantity	Unit	Foot note text
10	4.467-002.0	Brake adjustable complete	1.000	ST	VERSION A
20	6.435-402.0	Tire Trike	1.000	ST	
30	6.610-211.0	Carbon brush set	1.000	ST	VERSION A
40	6.961-901.0	Cap with bayonet	4.000	ST	VERSION A
50	6.610-329.0	Spare part set screw rim	1.000	ST	VERSION A
60	6.613-476.0	Flange gear replacement	1.000	ST	
70	6.368-062.0	Protecting cap GPN 300 V	8.000	ST	
9001	6.610-328.0	Spare part set terminal box wheel drive	1.000	ST	VERSION A
9002	6.467-039.0	Retrofit kit brake	1.000	ST	
9003	6.394-391.0	Coupler brake BR/BD TRIKE	1.000	ST	VERSION A
9004	4.641-045.0	Spare part set bearing	1.000	ST	VERSION A