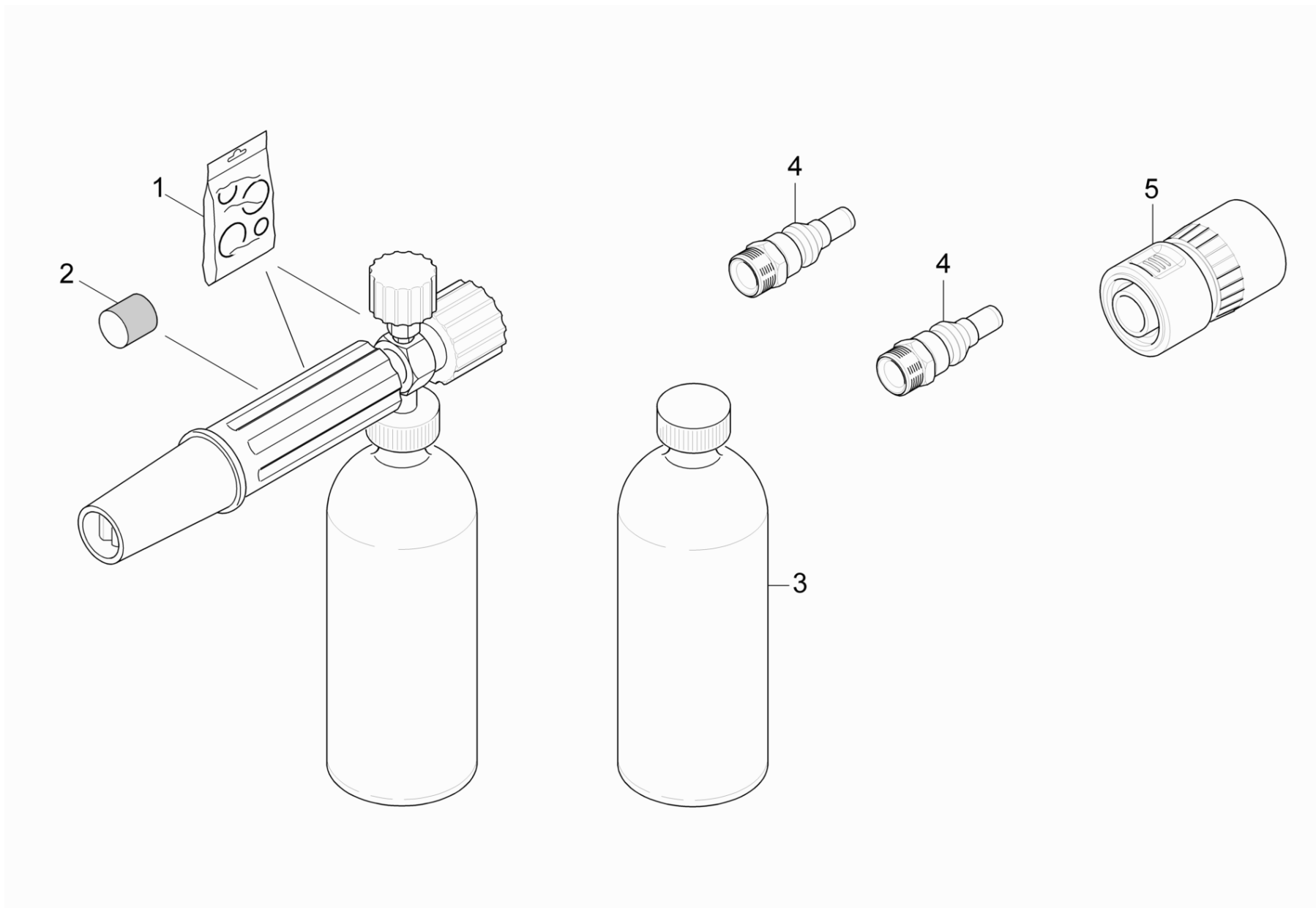


## 45 Foam lance and quick-fitting pipe union

Overview technical documents/Professional/High pressure cleaner cold water/Electric motor/HD 10/21 -4S \*EU (1.286-320.0)/Spare parts list HD 10/21 S/40 Accessories/45 Foam lance and quick-fitting pipe union



## 45 Foam lance and quick-fitting pipe union

Overview technical documents/Professional/High pressure cleaner cold water/Electric motor/HD 10/21 -4S \*EU (1.286-320.0)/Spare parts list HD 10/21 S/40 Accessories/45 Foam lance and quick-fitting pipe union

Rez.daļas/nodil.pakļ.daļas	Poz.	Materiāla Nr.	Nosaukums	Daudzums	Pārdoš. vienība
	1	2.642-034.0	Spare part set foam lance	1.000	ST
X-X	2	6.414-913.0	Putu pūšanas ierīce - tikai nomaiņai	1.000	ST
X-X	3	6.414-954.0	Tvertne 1 l, dzeltena	1.000	ST
X-X	4	6.401-459.0	Uzspraužamas nipelis	2.000	ST
X-X	5	6.401-458.0	Ātrizjaucams caurules sav., pilns kpl.	1.000	ST