

Spare parts list

(1.100-207.0) PUZZI 8/1 C with hand nozzle *EU

Table of contents

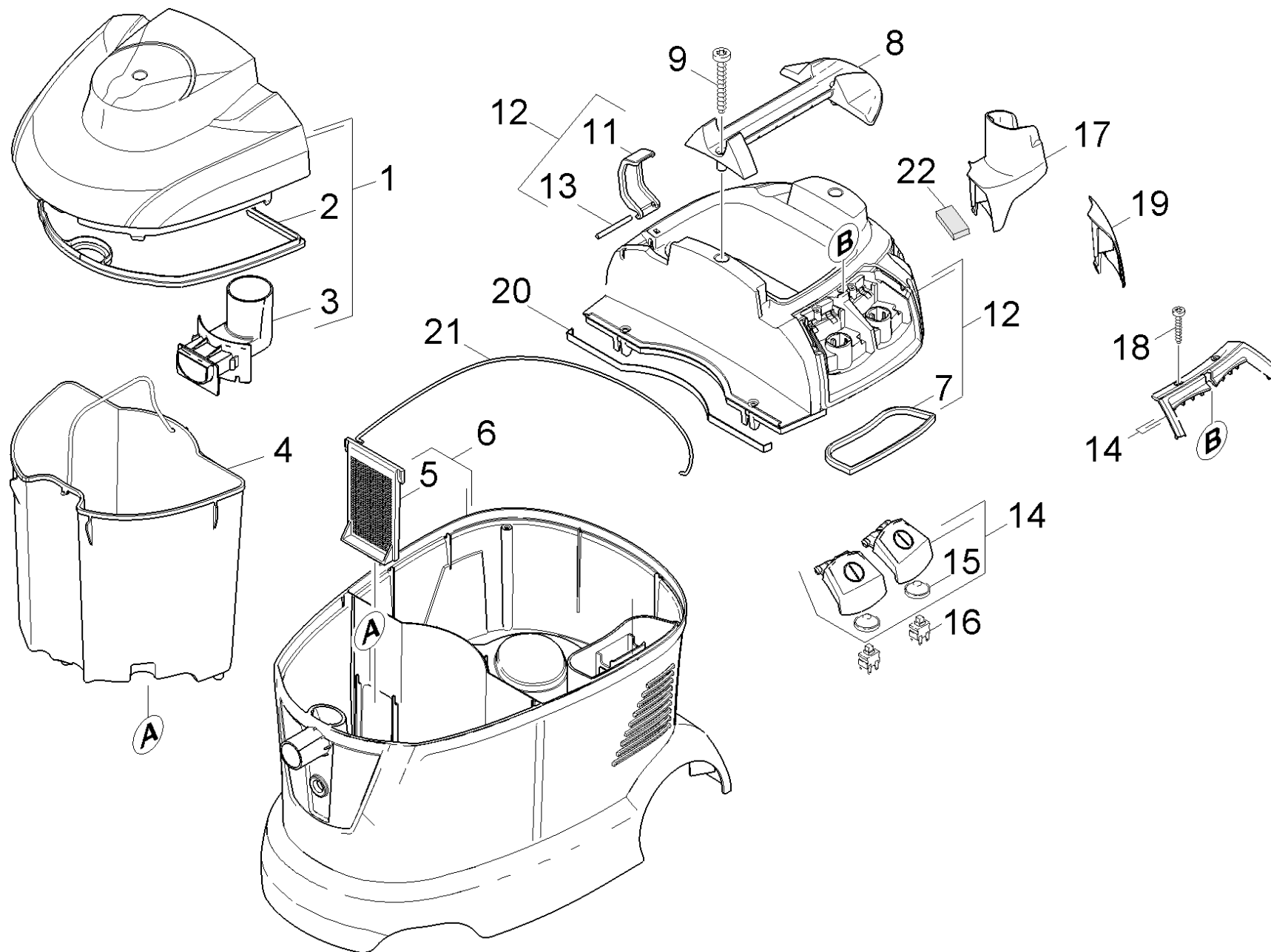
PUZZI 8/1 C with hand nozzle *EU (1.100-207.0)	3
5 Spare parts list Puzzi 8/1 C (5.970-682.0)	4
10 Tank	5
20 Individual parts	7
30 Vacuum motor	10
6 Vacuum motor 230V (6.490-215.0)	12
40 Suction hose	13
50 Hand nozzle	15
1 Hand nozzle with cover (4.130-126.0)	17
5 Hose stem (4.443-019.0)	18
60 Floor tool	20
1 Carpet nozzle (4.130-124.0)	23
5 Spray nozzle black (5.765-080.0)	24
27 Nut right hand thread (4.310-010.0)	25
30 Extension (4.127-009.0)	27
40 Hose stem (4.443-019.0)	29
46 Handhold complete (4.321-101.0)	31
4 Extension (4.127-009.0)	33
5 Nut right hand thread (4.310-010.0)	35
9 Hose stem (4.443-019.0)	37

PUZZI 8/1 C with hand nozzle *EU (1.100-207.0)

POS	Article no.	Description	Quantity	Unit
5	5.970-682.0	Spare parts list Puzzi 8/1 C	1.000	ST

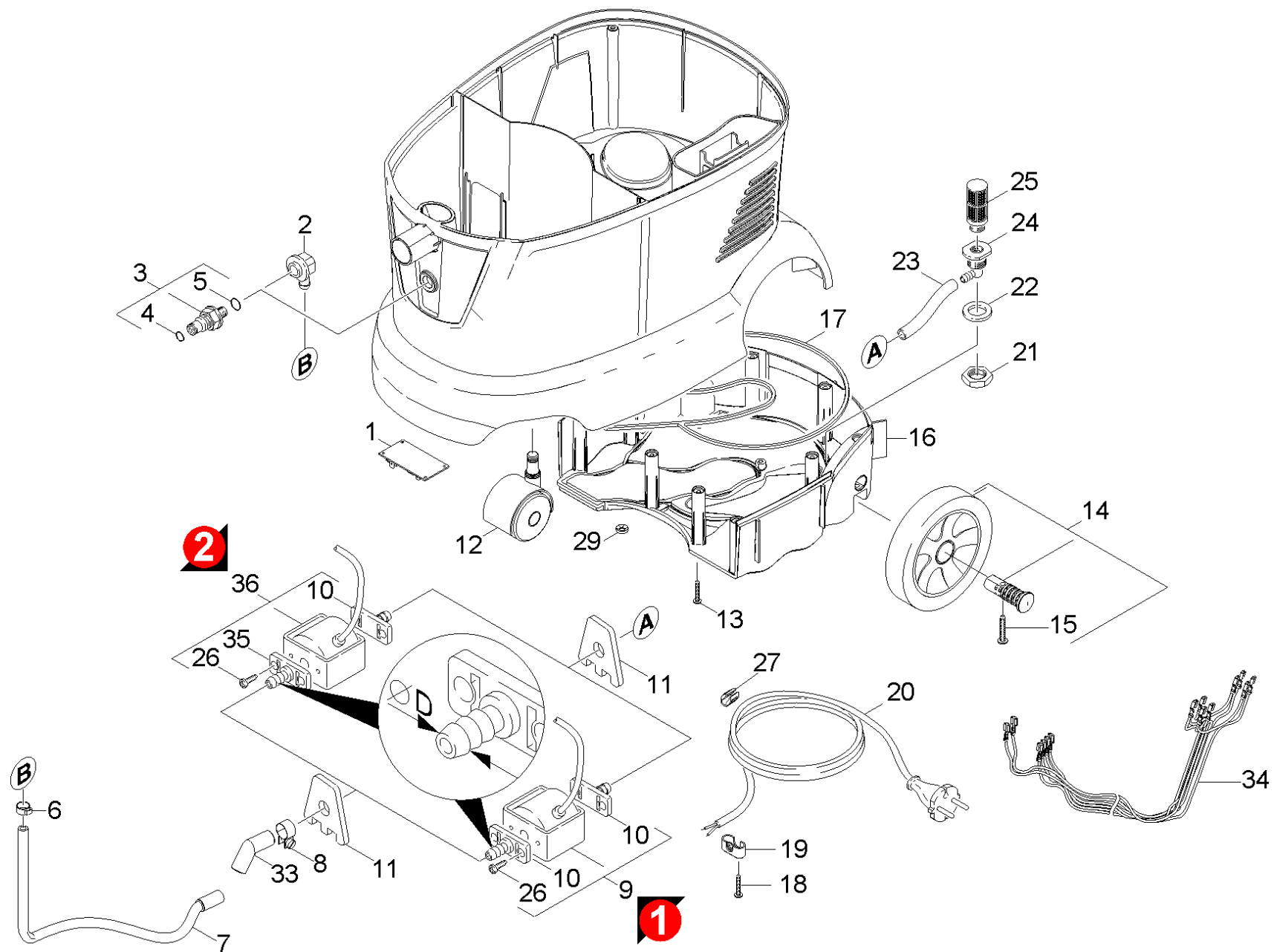
5 Spare parts list Puzzi 8/1 C (5.970-682.0)

POS	Description	Quantity	Unit
60	Floor tool	1.000	ST
50	Hand nozzle	1.000	ST
20	Individual parts	1.000	ST
40	Suction hose	1.000	ST
10	Tank	1.000	ST
30	Vacuum motor	1.000	ST



10 Tank

POS	Article no.	Description	Quantity	Unit	Foot note text
1	4.064-006.0	Cover complete only for replacement	1.000	ST	
12	4.069-008.0	Cover complete only for replacement	1.000	ST	
19	5.069-246.0	Covering cap cover	1.000	ST	
	Item text1: /1.100-207.0 / -208.0 / -209.0 / -210.0				
3	5.033-143.0	Elbow	1.000	ST	
20	6.273-275.0	Foamed material	1.000	ST	
8	5.321-853.0	Handhold	1.000	ST	
17	5.033-169.0	Holder floor nozzle	1.000	ST	
	Item text1: /1.100-200.0 / -201.0 / -202.0 / -205.0				
	Item text2: / -206.0				
11	5.037-200.0	Hook yellow	1.000	ST	
6	4.605-090.0	Housing complete only for replacement	1.000	ST	
15	5.394-461.0	Protection part	2.000	ST	
14	4.324-028.0	Pushbutton complete only for replacement	1.000	ST	
18	7.303-084.0	Screw 4x25 -10.9-R2R (K-In6Rd)	2.000	ST	
9	7.303-154.0	Screw 5x50 -A2-70 (In6Rd)	2.000	ST	
22	5.363-719.0	Seal	1.000	ST	
2	5.363-681.0	Seal cover	1.000	ST	
21	6.273-037.0	Seal string cellular rubber 3	1.000	M	TO ORDER AS CUT GOODS
7	6.368-413.0	Seal switch	1.000	ST	
13	7.314-040.0	Straight pin 5m6x50 -A1 ISO 2338	1.000	ST	
5	5.734-099.0	Strainer	1.000	ST	
16	6.630-437.0	Switch on/off	2.000	ST	
4	4.070-632.0	Tank complete only for replacement	1.000	ST	

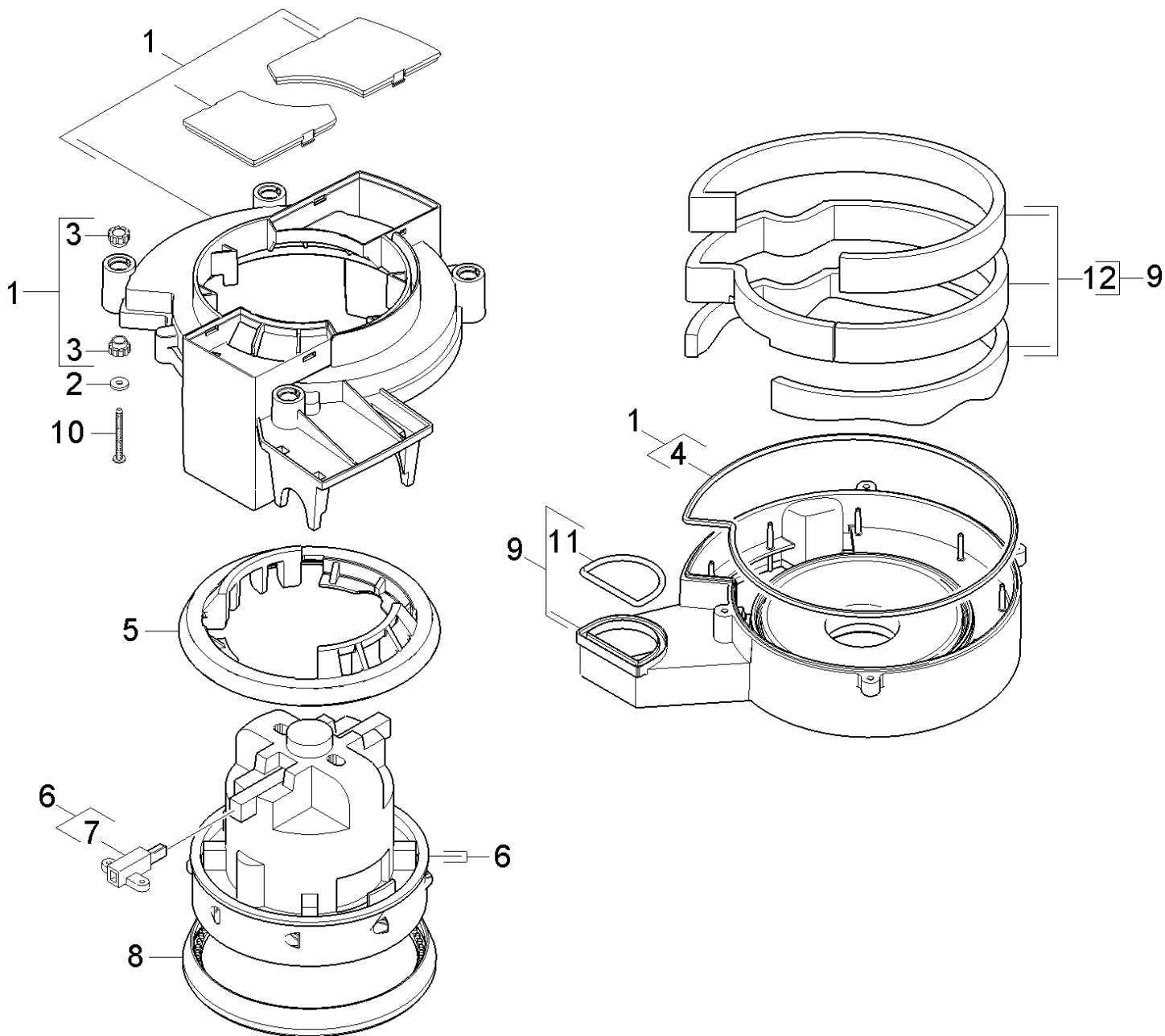


20 Individual parts

POS	Article no.	Description	Quantity	Unit	Remark	Foot note text
12	6.435-707.0	Castor	2.000	ST		
34	4.839-382.0	Electrical small parts Puzzi 8/1 C	1.000	ST		
1	4.682-103.0	Electronics only for replacement	1.000	ST		
25	6.414-027.0	Filter	1.000	ST		
16	5.050-353.0	Frame	1.000	ST		
21	6.310-004.0	Hexagon nut G 1/2"	1.000	ST		
8	6.388-556.0	Hose clamp 14-16	1.000	ST		VERSION 1
6	6.389-884.0	Hose clip 11,8	1.000	ST		
8	6.388-701.0	Hose clip with insert 13,3	1.000	ST		VERSION 2
7	5.443-673.0	Hose DN 6,7	1.000	ST		
2	5.443-437.0	Hose stem	1.000	ST		
24	5.443-246.0	Hose stem	1.000	ST		
35	5.443-663.0	Hose stem D 7,5	1.000	ST	D = 7,5mm	VERSION 2
10	5.443-439.0	Hose stem D9,5	2.000	ST	D = 9,5mm	VERSION 1+2
33	5.443-669.0	Insulating hose	1.000	ST		
22	5.363-108.0	Joint ring	1.000	ST		
29	6.343-119.0	Lock washer	1.000	ST		
9	6.473-376.0	Moto - pompe	1.000	ST		VERSION 1
3	4.409-001.0	Nipple complete	1.000	ST		
5	6.362-797.0	O-Ring seal 9,0 X 2,0	1.000	ST		
23	5.442-924.0	Piece of tube	1.000	ST		
27	5.032-940.0	Plug fixing black	1.000	ST		
20	6.647-266.0	Power cable 7,5m PVC *AUS	1.000	ST	/*AU	
20	6.647-265.0	Power cable 7,5m PVC *CH	1.000	ST	/*CH /*BR	
20	6.647-263.0	Power cable 7,5m PVC *EU	1.000	ST	/*EU	
20	6.647-264.0	Power cable 7,5m PVC *GB	1.000	ST	/*GB	
19	5.034-505.0	Retaining bracket cable	1.000	ST		
18	7.303-129.0	Screw 4x16 -10.9-R2R (K-In6Rd)	2.000	ST		
13	7.303-084.0	Screw 4x25 -10.9-R2R (K-In6Rd)	4.000	ST		
15	7.303-086.0	Screw 5x30 -10.9-R2R (K-In6Rd)	2.000	ST		
26	7.306-236.0	Screw M4x6 -8.8-R2R (In6Rd)	4.000	ST		
17	4.363-028.0	Seal frame only for replacement	1.000	ST		
11	5.250-152.0	seal pump puzzi 8/1	2.000	ST		

20 Individual parts

POS	Article no.	Description	Quantity	Unit	Remark	Foot note text
4	2.883-151.0	Spare part set O-Ring seal	1.000	ST		
36	6.473-570.0	Vibrating piston pump 230V-GOTEC D7,5	1.000	ST		VERSION 2
14	4.515-278.0	Wheel complete only for replacement	1.000	ST		

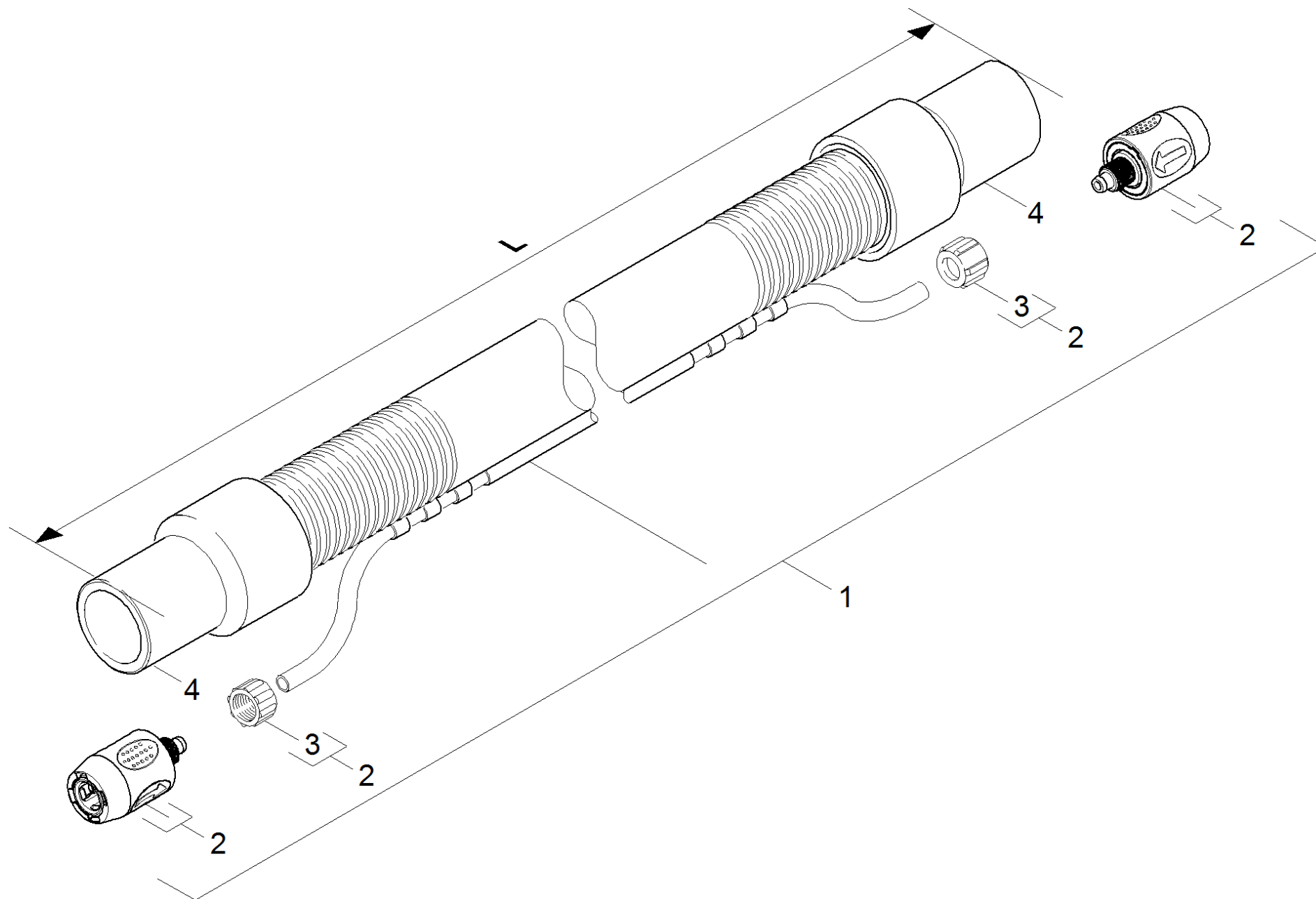


30 Vacuum motor

POS	Article no.	Description	Quantity	Unit	Foot note text
9	4.692-034.0	Air circulation complete only for replac	1.000	ST	
7	6.610-285.0	Carbon brush set	2.000	ST	
1	4.069-009.0	Covering cap blower only for replacement	1.000	ST	
12	2.286-009.0	Insulating mat set	1.000	ST	
3	5.363-697.0	Rubber buffer	8.000	ST	
10	7.303-085.0	Screw 4x 35 -10.9-R2R (K-In6Rd)	4.000	ST	
8	5.363-682.0	seal motor puzzi 8/1	1.000	ST	
11	9.439-064.0	Seal string cellular rubber 4	1.000	ST	
4	9.439-065.0	Seal string cellular rubber 4	1.000	ST	TO ORDER AS CUT GOODS
5	5.363-664.0	Seal vacuum motor above	1.000	ST	
6	6.490-215.0	Vacuum motor 230V	1.000	ST	
2	7.312-281.0	Washer 4 -200HV-A2E ISO7093-1	4.000	ST	

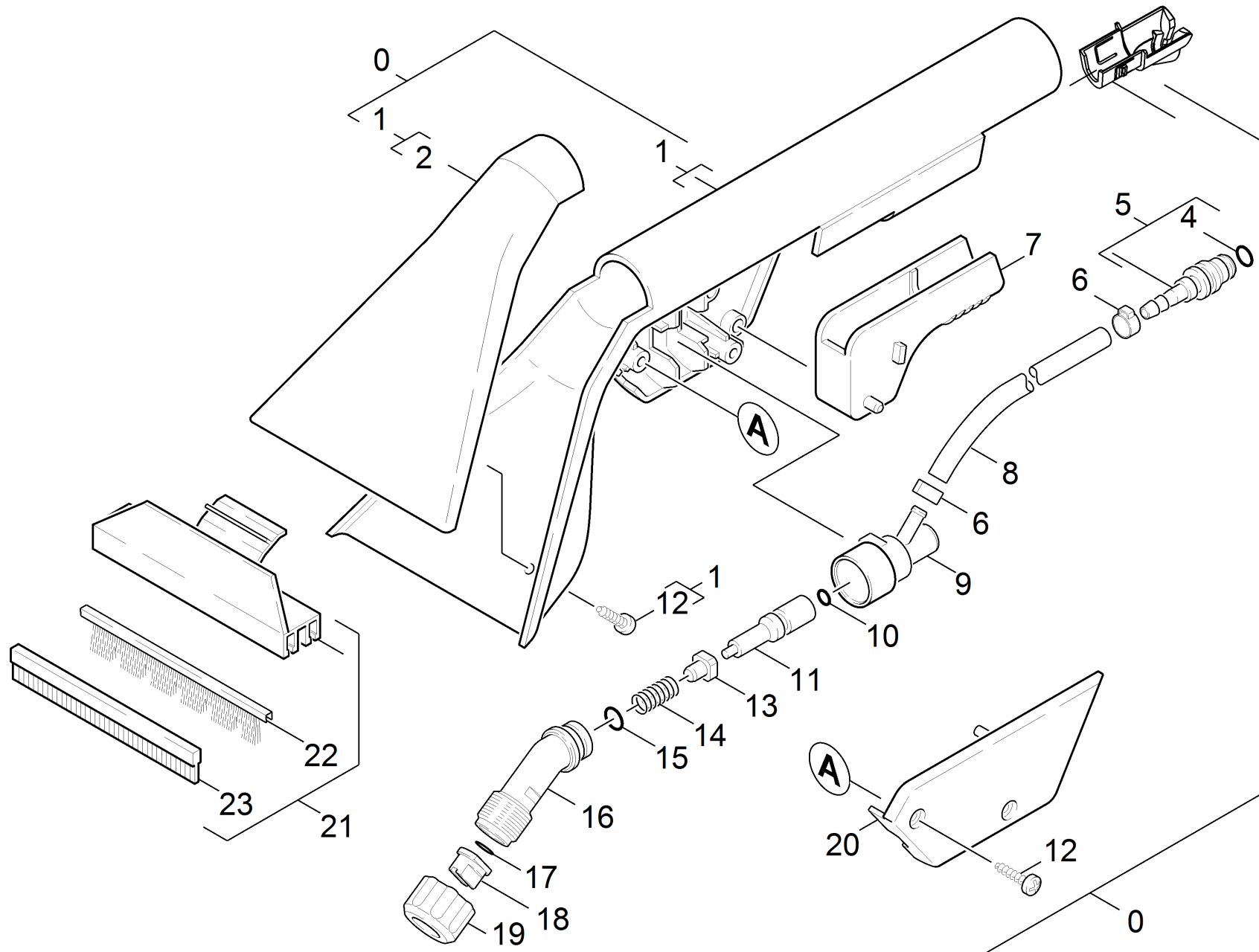
6 Vacuum motor 230V (6.490-215.0)

POS	Article no.	Description	Quantity	Unit	Serial number to
999	6.610-285.0	Carbon brush set	1.000	ST	40000



40 Suction hose

POS	Article no.	Description	Quantity	Unit	Remark
2	4.446-019.0	Hose coupling complete for replacement	2.000	ST	
4	6.906-713.0	Sleeve DN32	2.000	ST	
1	4.071-516.0	Suction hose for replacement DN32	1.000	ST	L = 2400 MM
1	4.071-517.0	Suction hose for replacement DN32	1.000	ST	L = 4000 MM
3	6.388-381.0	Union nut black	1.000	ST	

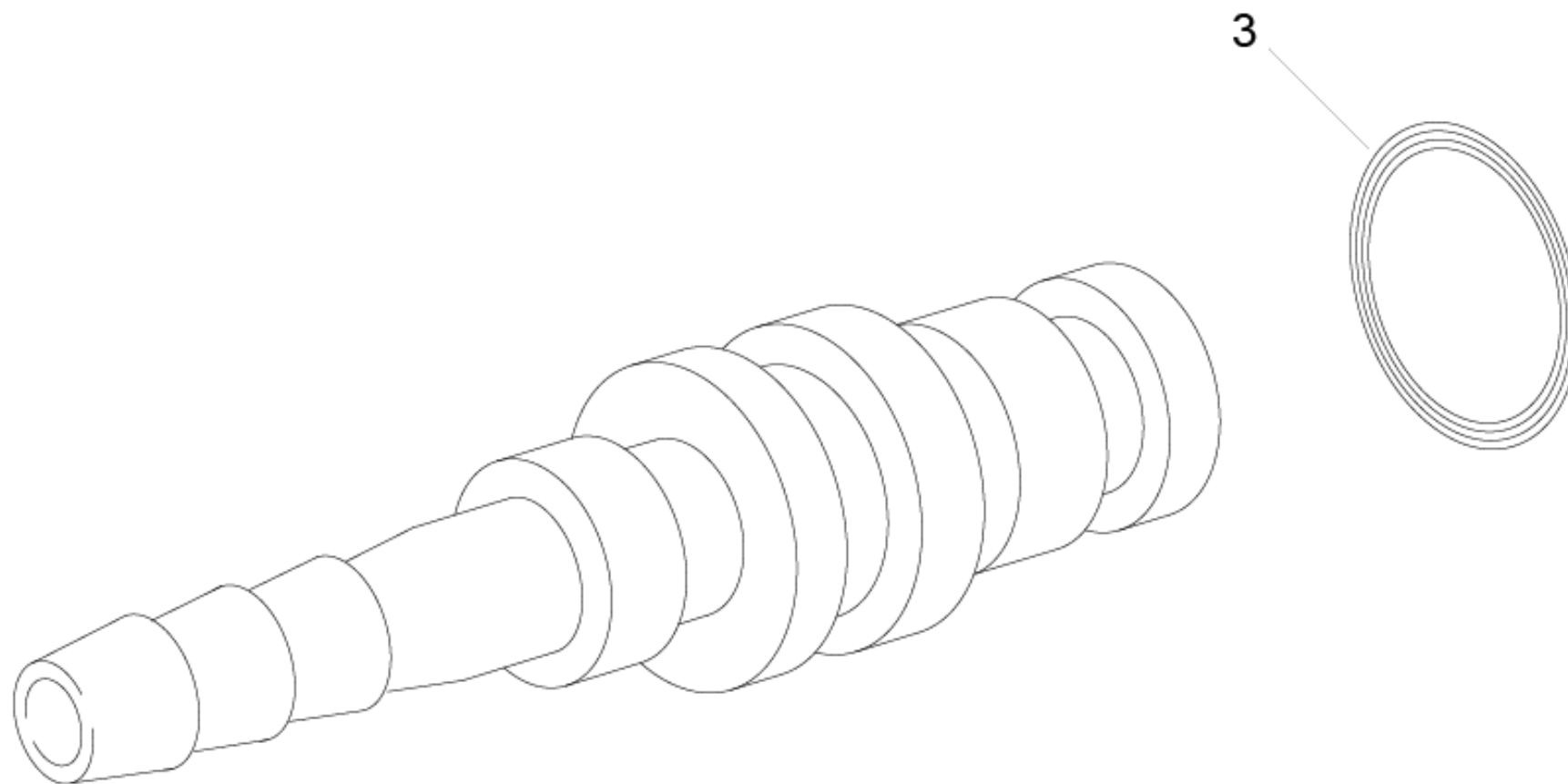


50 Hand nozzle

POS	Article no.	Description	Quantity	Unit
22	6.959-282.0	Brush strip	1.000	ST
3	5.112-572.0	Bush	1.000	ST
20	5.063-773.0	Cover	1.000	ST
2	5.130-223.0	Cover hand nozzle	1.000	ST
0	4.130-116.0	Hand nozzle	1.000	ST
1	4.130-126.0	Hand nozzle with cover	1.000	ST
21	4.762-219.0	Hard surface adapter	1.000	ST
14	5.332-082.0	Helical spring	1.000	ST
6	6.390-257.0	Hose clip	2.000	ST
8	6.390-237.0	Hose PU DN 6x1	1.000	ZST
5	4.443-019.0	Hose stem	1.000	ST
7	5.481-157.0	Lever	1.000	ST
18	6.415-928.0	Nozzle mouthpiece blue	1.000	ST
19	5.310-043.0	Nut	1.000	ST
10	6.362-401.0	O-Ring seal 3,1 X 1,6	1.000	ST
17	6.362-113.0	O-Ring seal 6,0 x 2,0 NBR 70	1.000	ST
15	6.362-402.0	O-Ring seal 11,0 X 1,3-NBR 70	1.000	ST
4	2.889-246.0	O-Ring seal set 6,75X 1,78	1.000	ST
23	6.959-283.0	Rubber lip	1.000	ST
12	7.303-116.0	Screw 4x12-A2-70 (IN6RD)	4.000	ST
16	5.401-225.0	Screw connector part	1.000	ST
9	5.587-139.0	Valve housing	1.000	ST
11	5.584-033.0	Valve pin	1.000	ST
13	5.584-034.0	Valve pin	1.000	ST

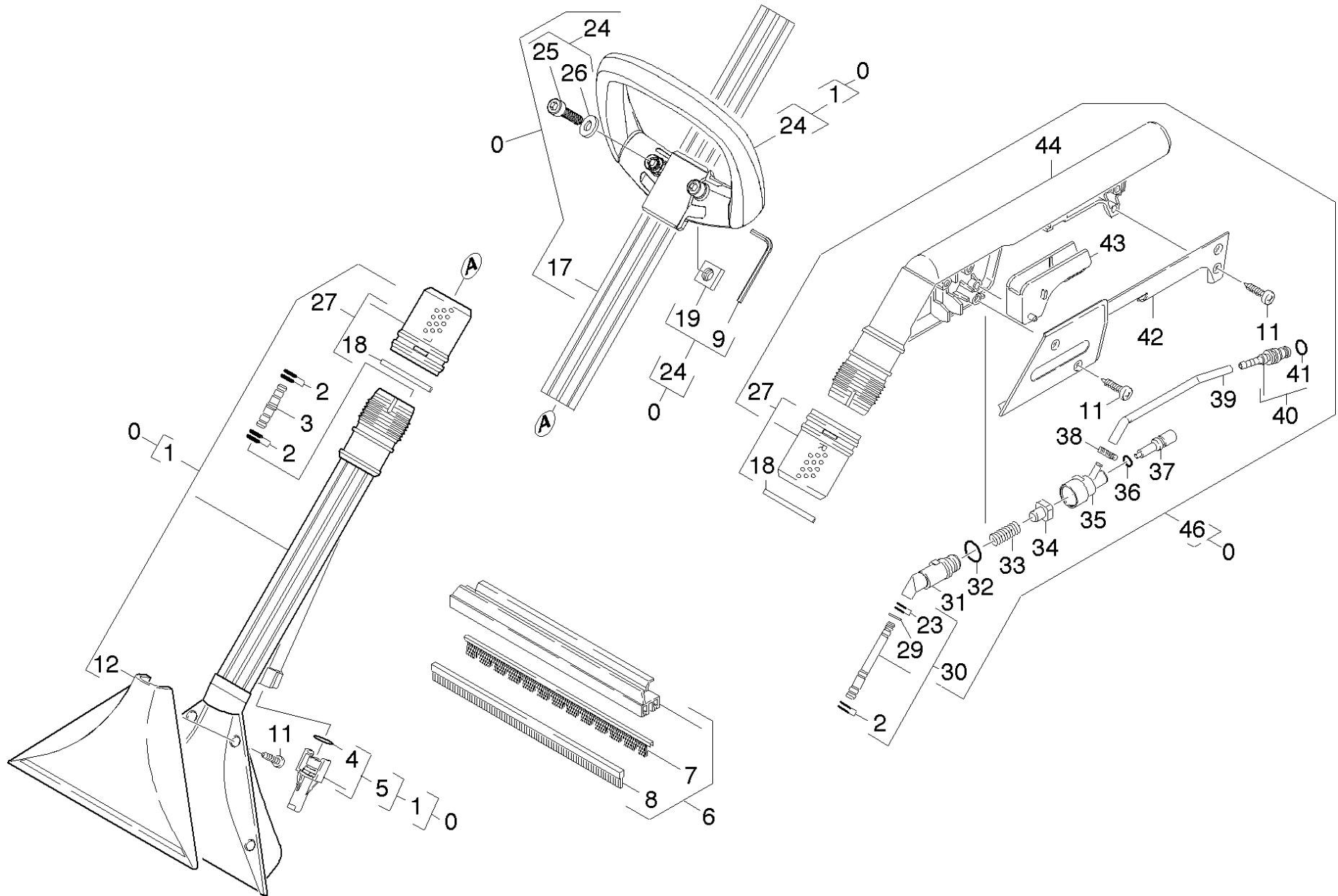
1 Hand nozzle with cover (4.130-126.0)

POS	Article no.	Description	Quantity	Unit
3	5.130-223.0	Cover hand nozzle	1.000	ST
2	6.303-059.0	Oval head screw 4,0X 12-A2	2.000	ST



5 Hose stem (4.443-019.0)

POS	Article no.	Description	Quantity	Unit
3	6.362-498.0	O-Ring seal 6,75x1,78 NBR 70	1.000	ST



60 Floor tool

POS	Article no.	Description	Quantity	Unit	Foot note text
7	6.906-082.0	Brush strip	1.000	ST	
1	4.130-124.0	Carpet nozzle	1.000	ST	
12	5.777-027.0	Cover suction nozzle	1.000	ST	
9	7.815-131.0	Cranked wrench key 5,0-St ISO 2936	1.000	ST	
25	7.306-024.0	Cylinder head screw M6x30 -8.8-A2E ISO4	2.000	ST	
30	4.127-009.0	Extension	1.000	ST	
3	5.127-021.0	Extension	1.000	ST	
24	4.321-186.0	Hand grip PUZZI 100/200	1.000	ST	
44	5.321-569.0	Handhold	1.000	ST	
46	4.321-101.0	Handhold complete	1.000	ST	
6	4.762-220.0	Hard surface adapter	1.000	ST	
33	5.332-082.0	Helical spring	1.000	ST	
38	6.390-257.0	Hose clip	2.000	ST	
39	6.390-237.0	Hose PU DN 6x1	1.000	ZST	TO ORDER AS CUT GOODS
40	4.443-019.0	Hose stem	1.000	ST	
43	5.481-157.0	Lever	1.000	ST	
18	5.343-014.0	Locking ring	2.000	ST	
29	7.343-201.0	Lock washer 6-FST-PHR DIN 6799	1.000	ST	
42	5.031-038.0	Moulded part	1.000	ST	
31	5.030-670.0	Moulded part	1.000	ST	
0	4.130-127.0	Nozzle complete	1.000	ST	
27	4.310-010.0	Nut right hand thread	1.000	ST	
36	6.362-401.0	O-Ring seal 3,1 X 1,6	1.000	ST	
23	6.362-761.0	O-Ring seal 4,0 X 1,2	2.000	ST	
2	6.362-472.0	O-Ring seal 6,0 X 1,0-NBR 70	6.000	ST	
41	6.362-498.0	O-Ring seal 6,75x1,78 NBR 70	1.000	ST	
4	6.362-384.0	O-Ring seal 9x1,5 - NBR 70	1.000	ST	
32	6.362-402.0	O-Ring seal 11,0 X 1,3-NBR 70	1.000	ST	
16	6.362-727.0	O-Ring seal 30,0 X 1,0-NBR 70	1.000	ST	
8	6.959-116.0	Rubber lip	1.000	ST	
11	7.303-116.0	Screw 4x12-A2-70 (IN6RD)	8.000	ST	
5	5.765-080.0	Spray nozzle black	1.000	ST	
19	7.311-571.0	Square nut M6 -05-A2E DIN 557	2.000	ST	

60 Floor tool

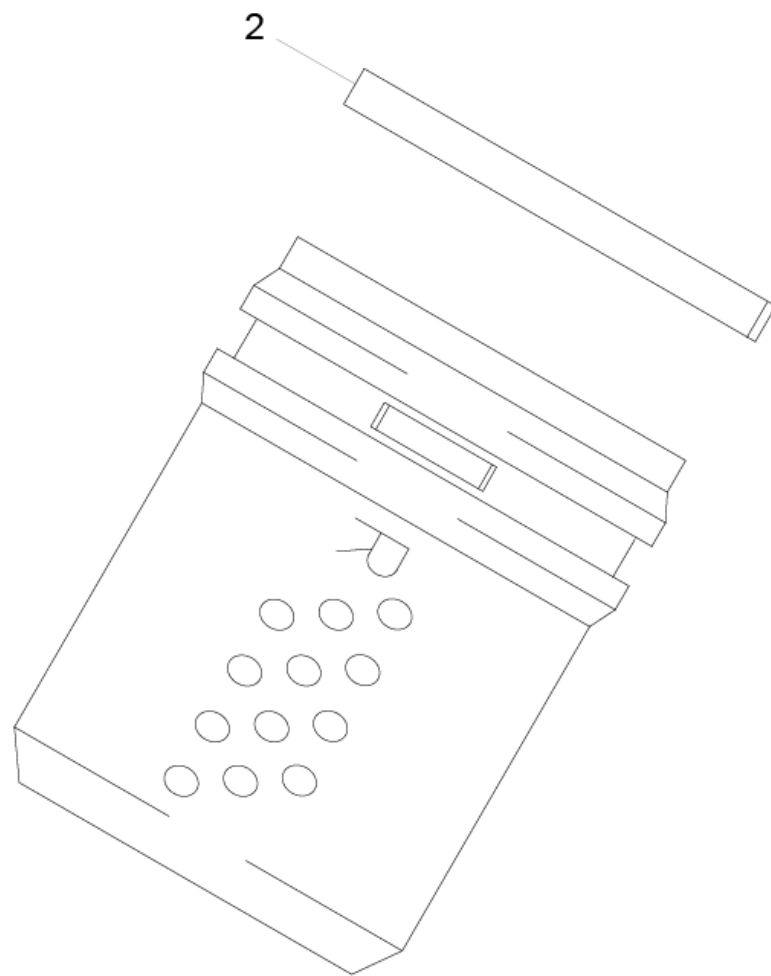
POS	Article no.	Description	Quantity	Unit	Foot note text
17	5.029-257.0	Suction tube aluminium	1.000	ST	
35	5.587-139.0	Valve housing	1.000	ST	
37	5.584-033.0	Valve pin	1.000	ST	
34	5.584-034.0	Valve pin	1.000	ST	
26	7.312-292.0	Washer 6 -A2 ISO 7093-1	2.000	ST	

1 Carpet nozzle (4.130-124.0)

POS	Article no.	Description	Quantity	Unit
10	4.762-220.0	Hard surface adapter	1.000	ST

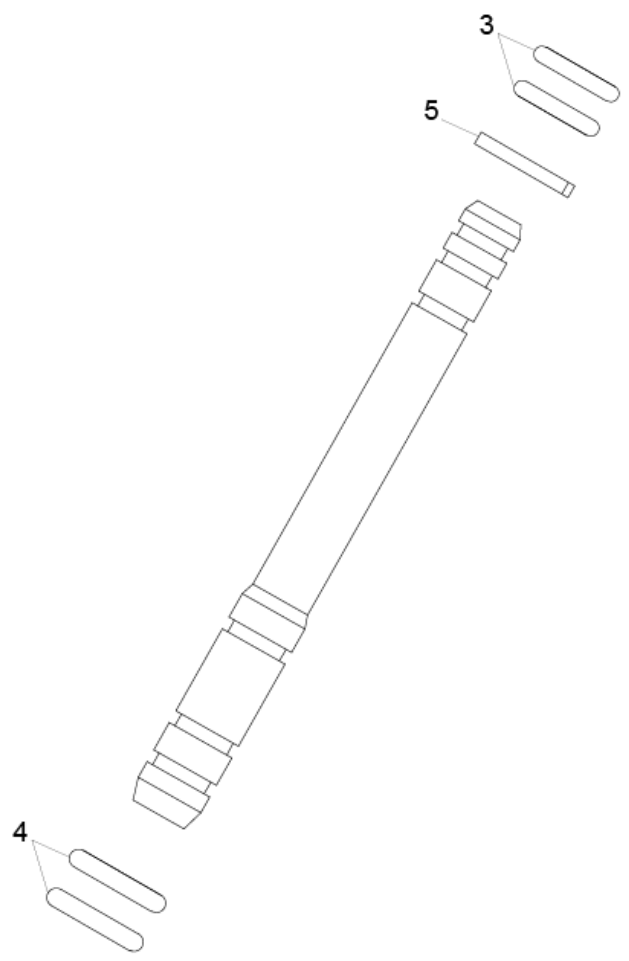
5 Spray nozzle black (5.765-080.0)

POS	Article no.	Description	Quantity	Unit
0	6.362-384.0	O-Ring seal 9x1,5 - NBR 70	1.000	ST



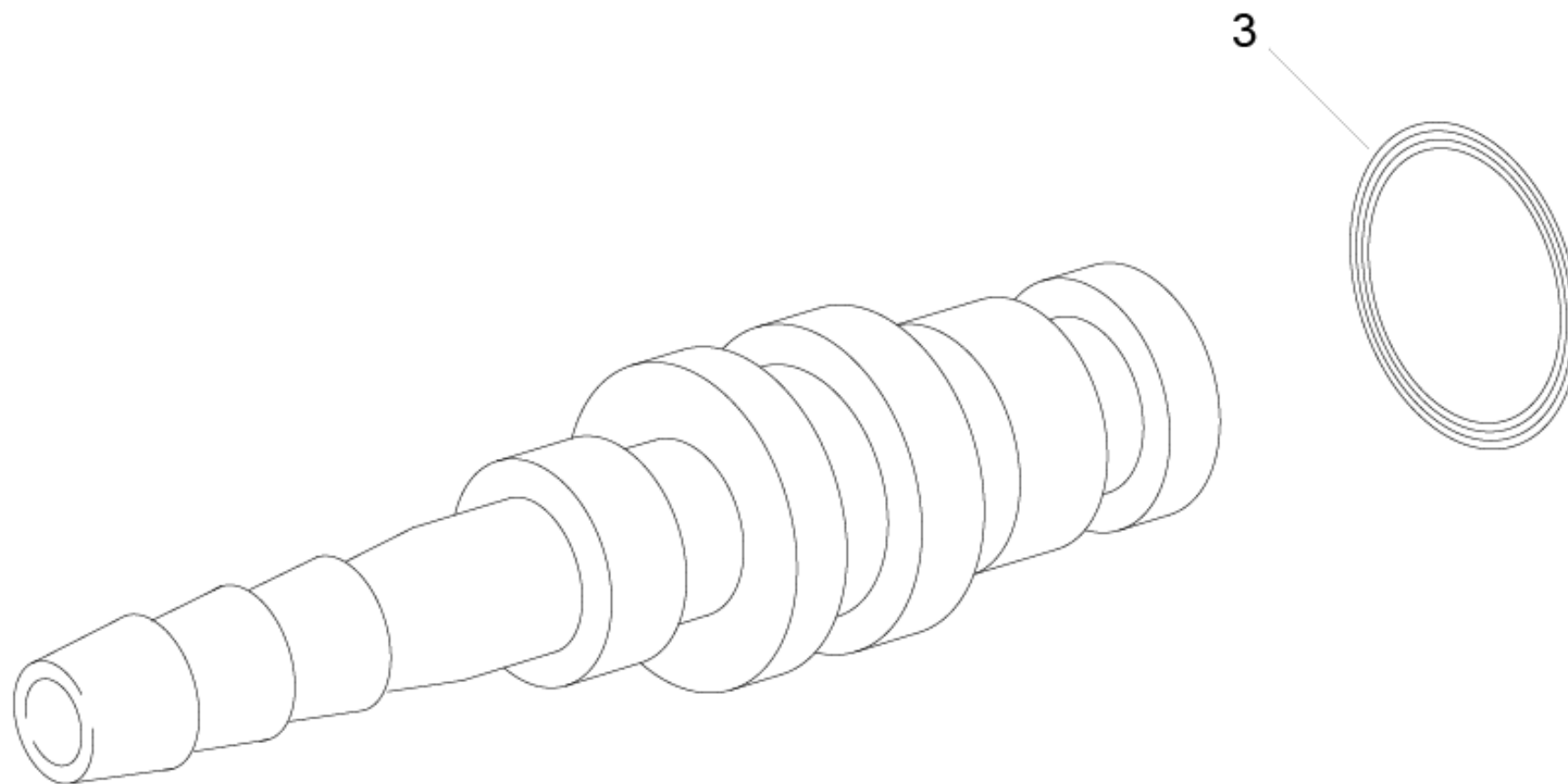
27 Nut right hand thread (4.310-010.0)

POS	Article no.	Description	Quantity	Unit
2	5.343-014.0	Locking ring	1.000	ST



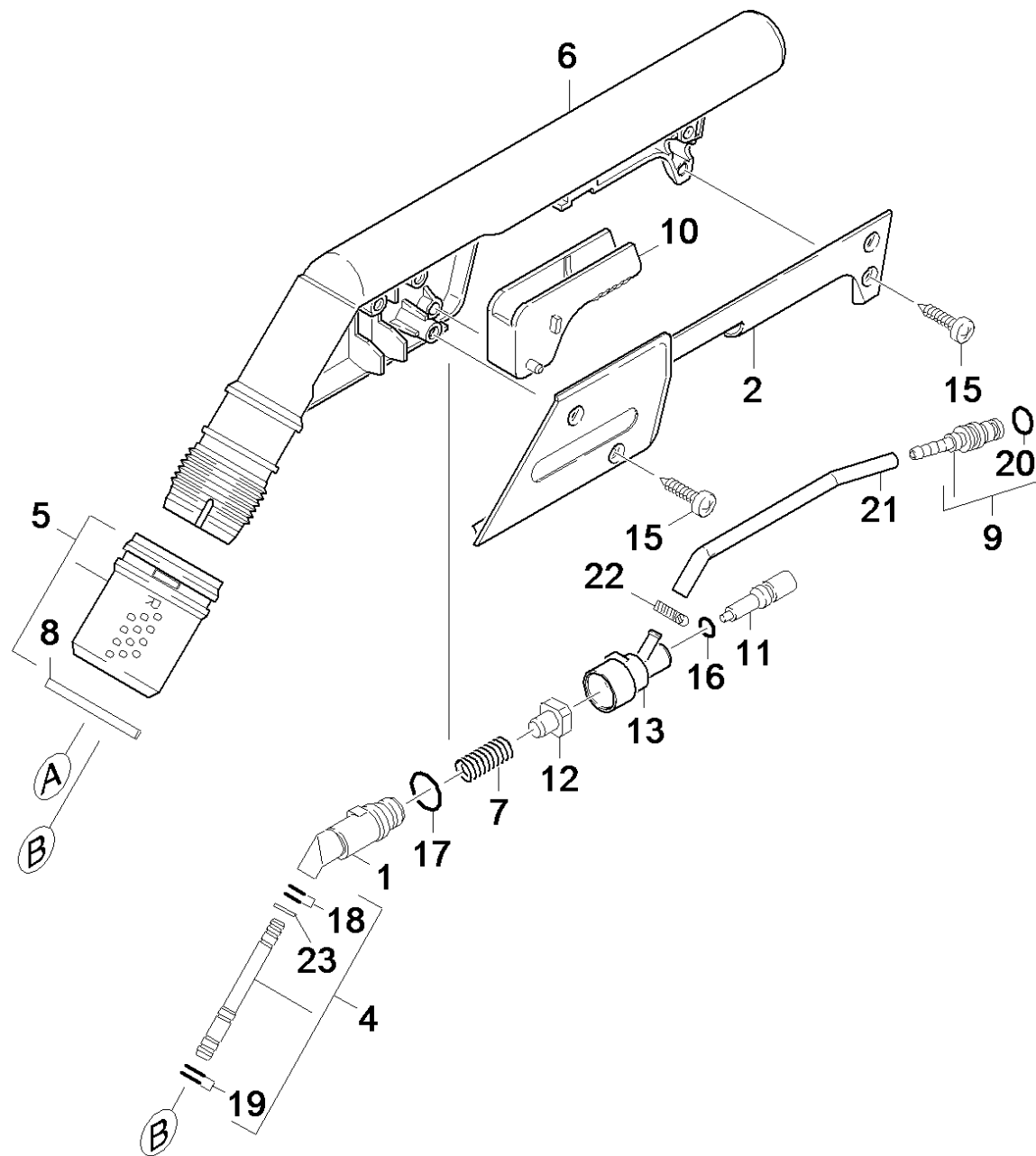
30 Extension (4.127-009.0)

POS	Article no.	Description	Quantity	Unit
5	7.343-201.0	Lock washer 6-FST-PHR DIN 6799	1.000	ST
3	6.362-761.0	O-Ring seal 4,0 X 1,2	2.000	ST
4	6.362-472.0	O-Ring seal 6,0 X 1,0-NBR 70	2.000	ST



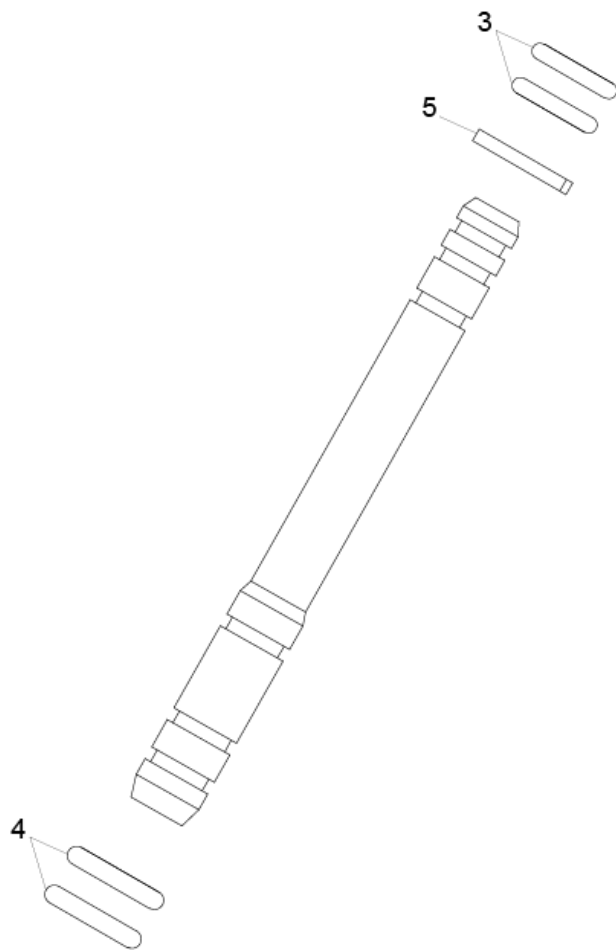
40 Hose stem (4.443-019.0)

POS	Article no.	Description	Quantity	Unit
3	6.362-498.0	O-Ring seal 6,75x1,78 NBR 70	1.000	ST



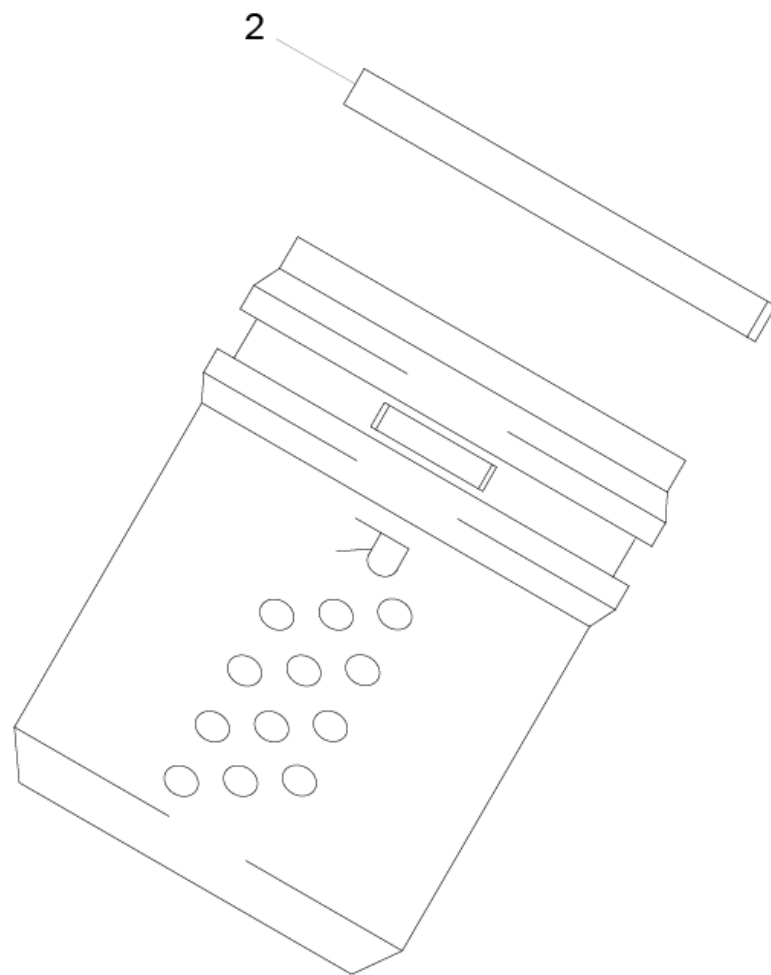
46 Handhold complete (4.321-101.0)

POS	Article no.	Description	Quantity	Unit
4	4.127-009.0	Extension	1.000	ST
6	5.321-569.0	Handhold	1.000	ST
7	5.332-082.0	Helical spring	1.000	ST
22	6.390-257.0	Hose clip	2.000	ST
21	6.390-237.0	Hose PU DN 6x1	1.000	ZST
9	4.443-019.0	Hose stem	1.000	ST
10	5.481-157.0	Lever	1.000	ST
8	5.343-014.0	Locking ring	1.000	ST
23	7.343-201.0	Lock washer 6-FST-PHR DIN 6799	1.000	ST
2	5.031-038.0	Moulded part	1.000	ST
1	5.030-670.0	Moulded part	1.000	ST
5	4.310-010.0	Nut right hand thread	1.000	ST
16	6.362-401.0	O-Ring seal 3,1 X 1,6	1.000	ST
18	6.362-761.0	O-Ring seal 4,0 X 1,2	2.000	ST
19	6.362-472.0	O-Ring seal 6,0 X 1,0-NBR 70	2.000	ST
17	6.362-402.0	O-Ring seal 11,0 X 1,3-NBR 70	1.000	ST
20	2.889-246.0	O-Ring seal set 6,75X 1,78	1.000	ST
15	7.303-116.0	Screw 4x12-A2-70 (IN6RD)	4.000	ST
13	5.587-139.0	Valve housing	1.000	ST
12	5.584-034.0	Valve pin	1.000	ST
11	5.584-033.0	Valve pin	1.000	ST



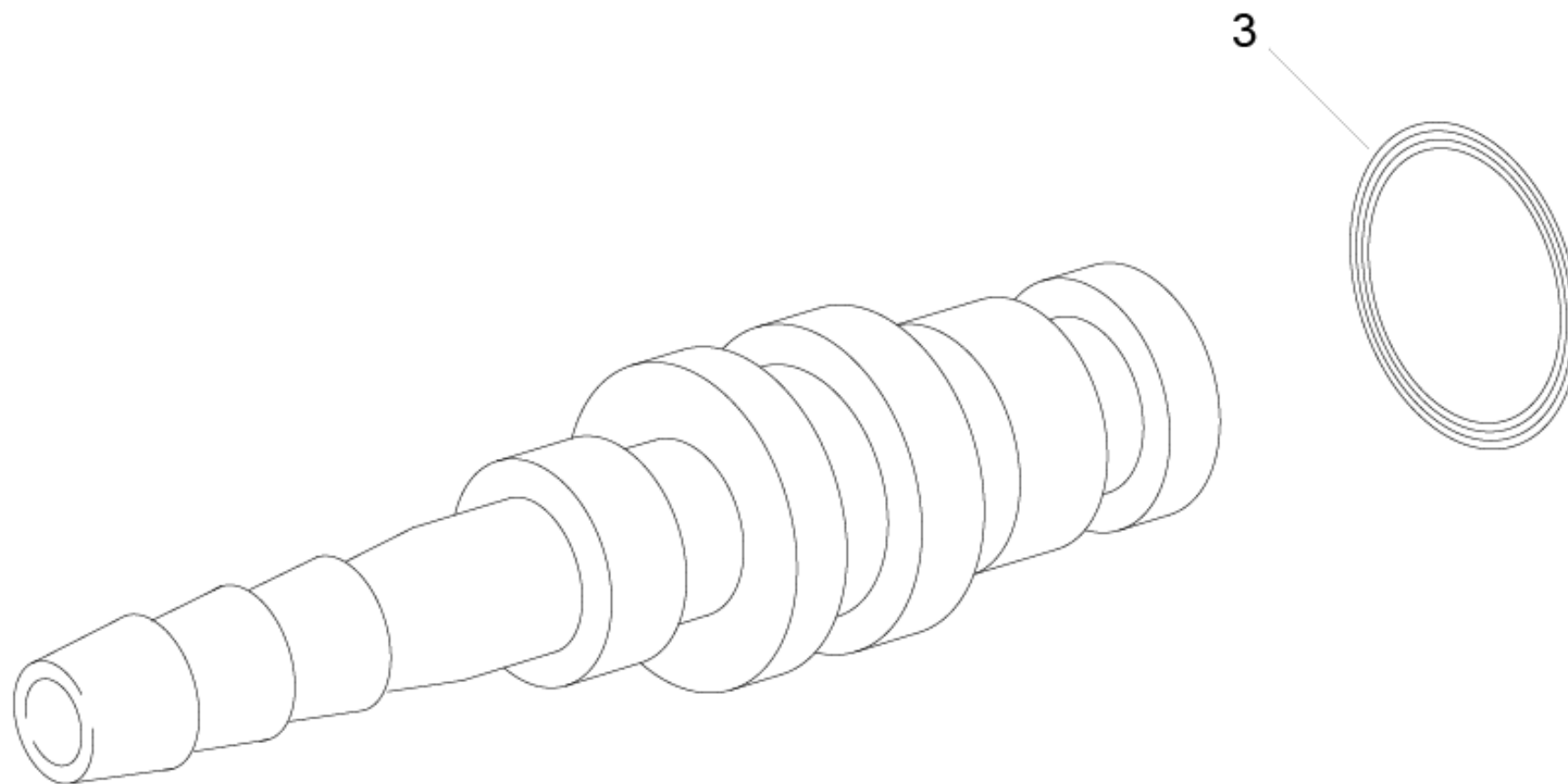
4 Extension (4.127-009.0)

POS	Article no.	Description	Quantity	Unit
5	7.343-201.0	Lock washer 6-FST-PHR DIN 6799	1.000	ST
3	6.362-761.0	O-Ring seal 4,0 X 1,2	2.000	ST
4	6.362-472.0	O-Ring seal 6,0 X 1,0-NBR 70	2.000	ST



5 Nut right hand thread (4.310-010.0)

POS	Article no.	Description	Quantity	Unit
2	5.343-014.0	Locking ring	1.000	ST



9 Hose stem (4.443-019.0)

POS	Article no.	Description	Quantity	Unit
3	6.362-498.0	O-Ring seal 6,75x1,78 NBR 70	1.000	ST