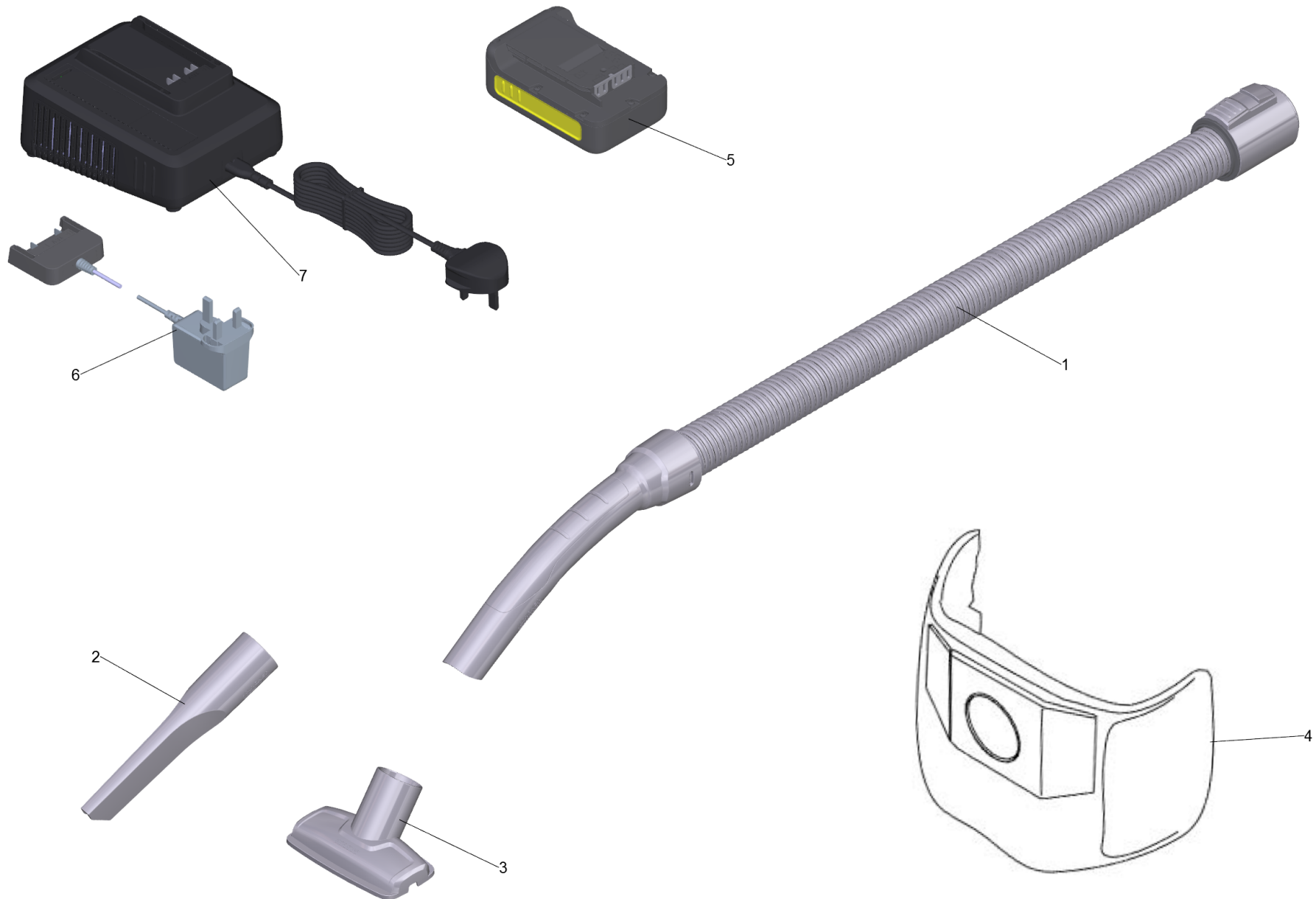


# 30 ACCESSORIES

Home and Garden \ Vacuum cleaner \ Wet-/Dry vacuum cleanerwet \ WD 1 Compact Battery \*INT \ ACCESSORIES



## 30 ACCESSORIES

Home and Garden \ Vacuum cleaner \ Wet-/Dry vacuum cleanerwet \ WD 1 Compact Battery \*INT \ ACCESSORIES



POS	Article no.	Description	Quantity	Unit	Remark
1	9.754-445.0	Hose completely extruded	1	PC	
2	9.765-274.0	Crevice nozzle DN35	1	PC	
3	9.765-275.0	Upholstery nozzle DN35	1	PC	
4	2.863-297.0	Filter bags WD 1 Compact Battery 5pc.	1	PC	
5	2.445-034.0	Battery Power 18/25 DW *INT	1	PC	
5	2.445-035.0	Battery Power 18/50 DW *INT	1	PC	
6	6.445-050.3	Plug-in charger packaged 18/5 *EU	1	PC	*EU
6	6.445-052.3	Plug-in charger packaged 18/5 *GB	1	PC	*GB
6	6.445-054.3	Plug-in charger Battery Power 18/5 *JP	1	PC	*JP
6	6.445-056.3	Plug-in charger Battery Power 18/5 *AU	1	PC	*AU
7	2.445-050.0	Battery charger Battery Power+ 18/60 *AU	1	PC	18V/6,0A *AU
7	2.445-057.0	Uni-Charger Battery Power+ 18-36/60 *AU	1	PC	18/36V - 2,5-6,0A *AU
7	2.445-056.0	Uni-Charger Battery Power+ 18-36/60 *JP	1	PC	18/36V - 2,5-6,0A *JP
7	2.445-055.0	Uni-Charger Battery Power+ 18-36/60 *GB	1	PC	18/36V - 2,5-6,0A *GB
7	2.445-054.0	Uni-Charger Battery Power+ 18-36/60 *EU	1	PC	18/36V - 2,5-6,0A *EU
7	2.445-052.0	Battery charger Battery Power+ 18/60 *CUL	1	PC	18V/6,0A *US
7	2.445-038.0	Fast battery recharger Battery Power 18 V *JP	1	PC	18V/2,5A *JP
7	2.445-048.0	Battery charger Battery Power+ 18/60 *JP	1	PC	18V/6,0A *JP
7	2.445-046.0	Battery charger Battery Power+ 18/60 *GB	1	PC	18V/6,0A *GB
7	2.445-044.0	Battery charger Battery Power+ 18/60 *EU	1	PC	18V/6,0A *EU
7	2.445-040.0	Fast battery recharger Battery Power 18 V *AU	1	PC	18V/2,5A *AU
7	2.445-036.0	Fast battery recharger Battery Power 18 V *GB	1	PC	18V/2,5A *GB
7	2.445-032.0	Fast battery recharger Battery Power 18 V *EU	1	PC	18V/2,5A *EU
7	2.445-058.0	Uni-Charger Battery Power+ 18-36/60 *CUL	1	PC	18/36V - 2,5-6,0A *US