

Spare parts list

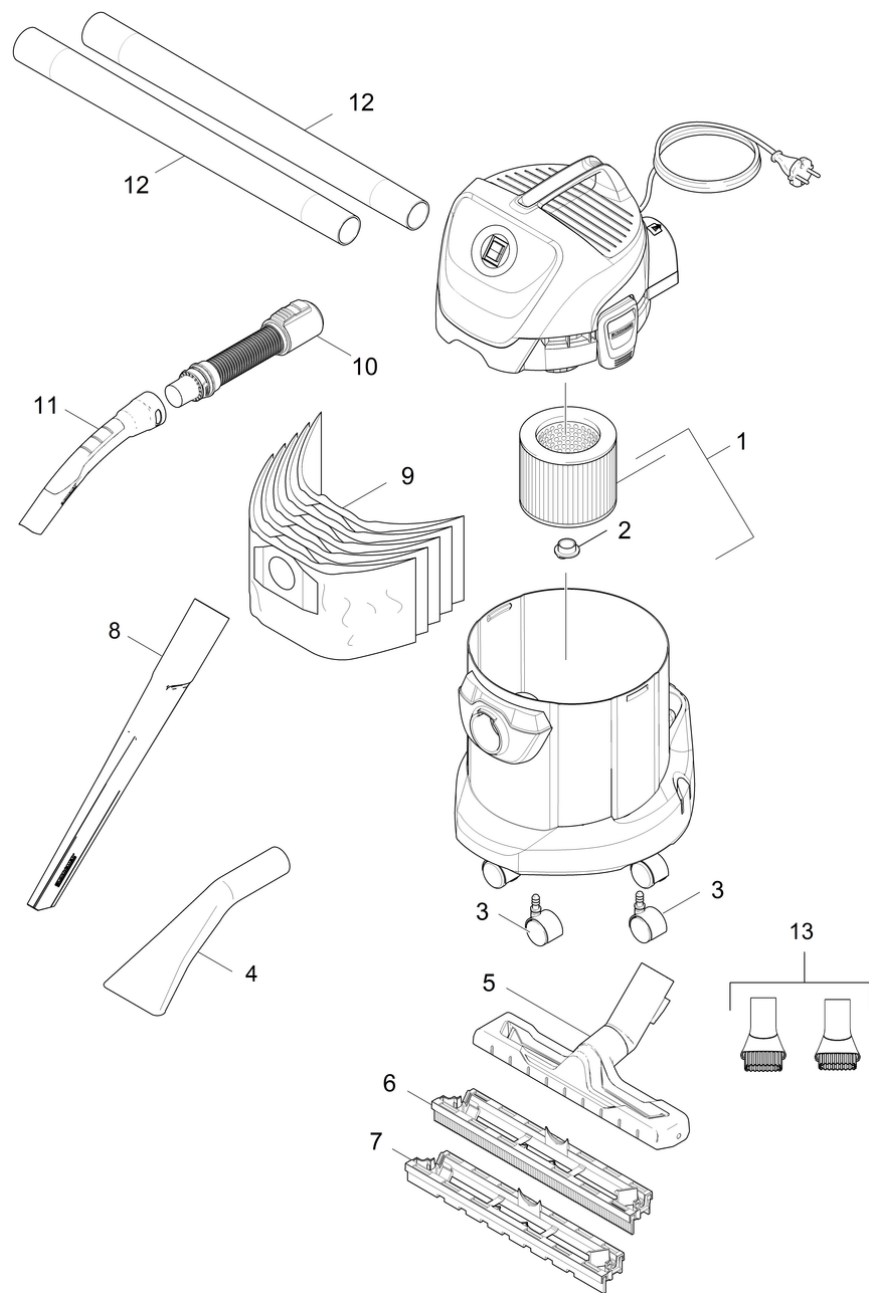
(1.629-809.0) WD 3 Car *EU-II

Table of contents

WD 3 Car *EU-II (1.629-809.0)	3
Short spare parts list	4
10 Appliance individual parts	6
9 Vacuum motor complete for replacement Cu (4.490-000.0)	8
16 Cartridge filter WD/SE (6.414-552.0)	10
20 Tank	12
1 Tank complete plastics (4.440-010.0)	14
30 Accessories	16

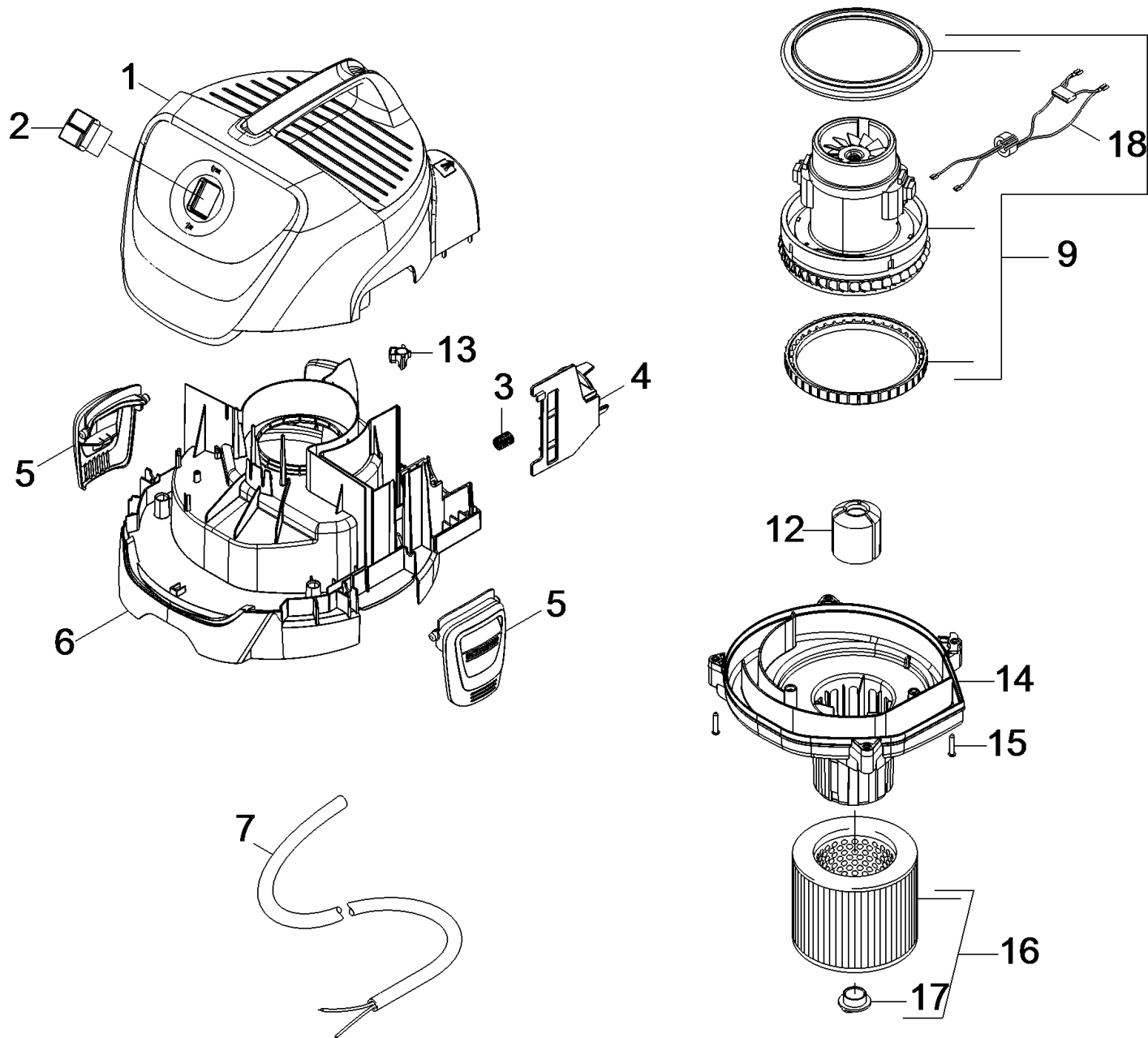
WD 3 Car *EU-II (1.629-809.0)

POS	Description	Quantity	Unit
30	Accessories	1.000	ST
10	Appliance individual parts	1.000	ST
0	Short spare parts list	1.000	ST
20	Tank	1.000	ST



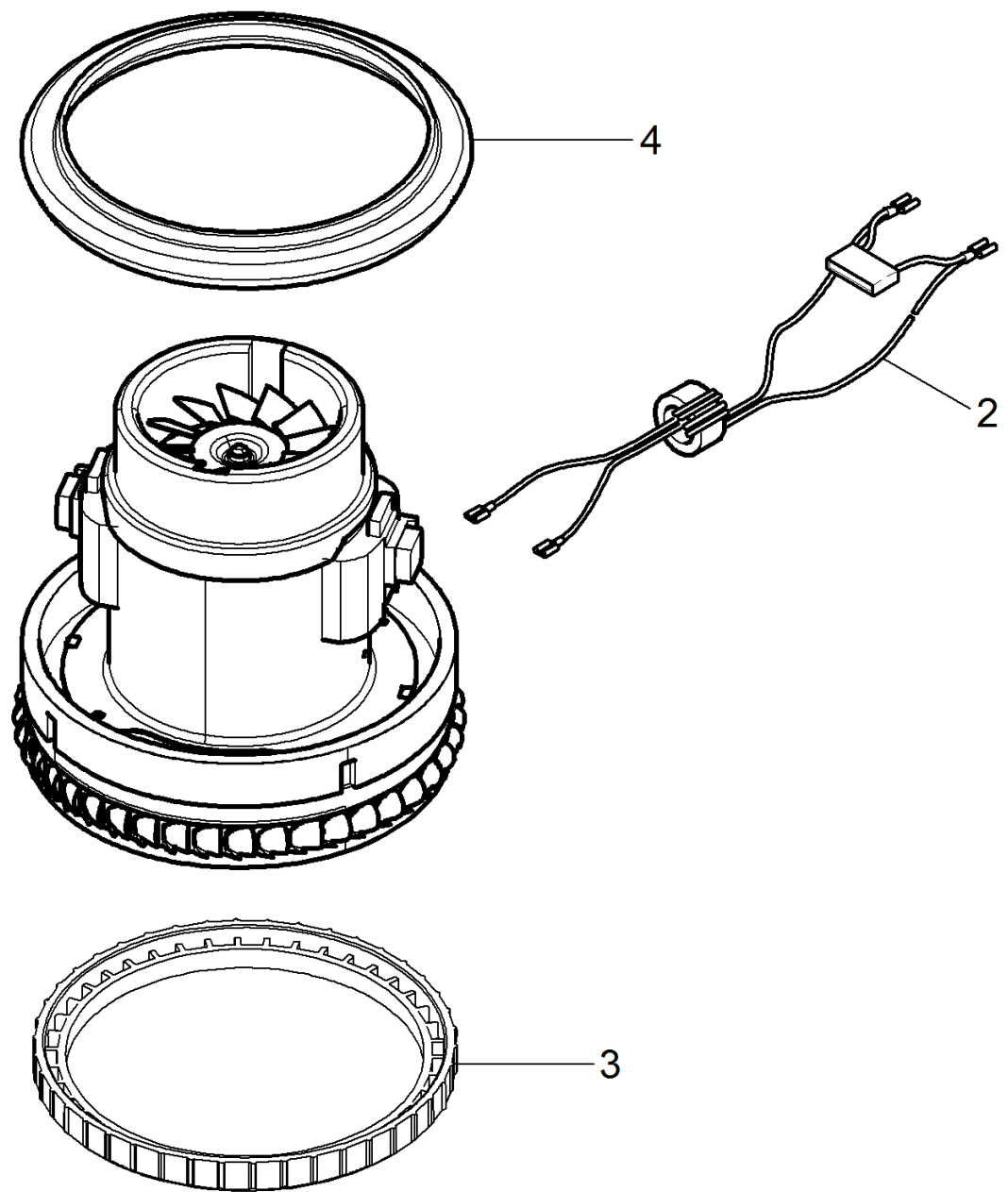
Short spare parts list

POS	Article no.	Description	Quantity	Unit
4	2.863-145.0	Car nozzle WD/SE	1.000	ST
1	6.414-552.0	Cartridge filter WD/SE	1.000	ST
3	6.435-353.0	Castor D 42	4.000	ST
2	4.075-012.0	Closure complete	1.000	ST
8	2.863-223.0	Crevice nozzle extra long WD/SE	1.000	ST
12	2.863-148.0	Extension suction tube WD	2.000	ST
9	6.959-130.0	Filter bag WD/SE 5pc.	1.000	ZSA
5	4.629-013.0	Floor tool clip packaged	1.000	ST
11	2.863-012.0	Hand grip suction hose	1.000	ST
10	4.441-066.0	Hose complete packaged	1.000	ST
7	4.629-015.0	Insert dry floor nozzle packaged	1.000	ST
6	4.629-014.0	Insert wet floor nozzle packaged	1.000	ST
13	2.863-221.0	Suction brush kit	1.000	ST



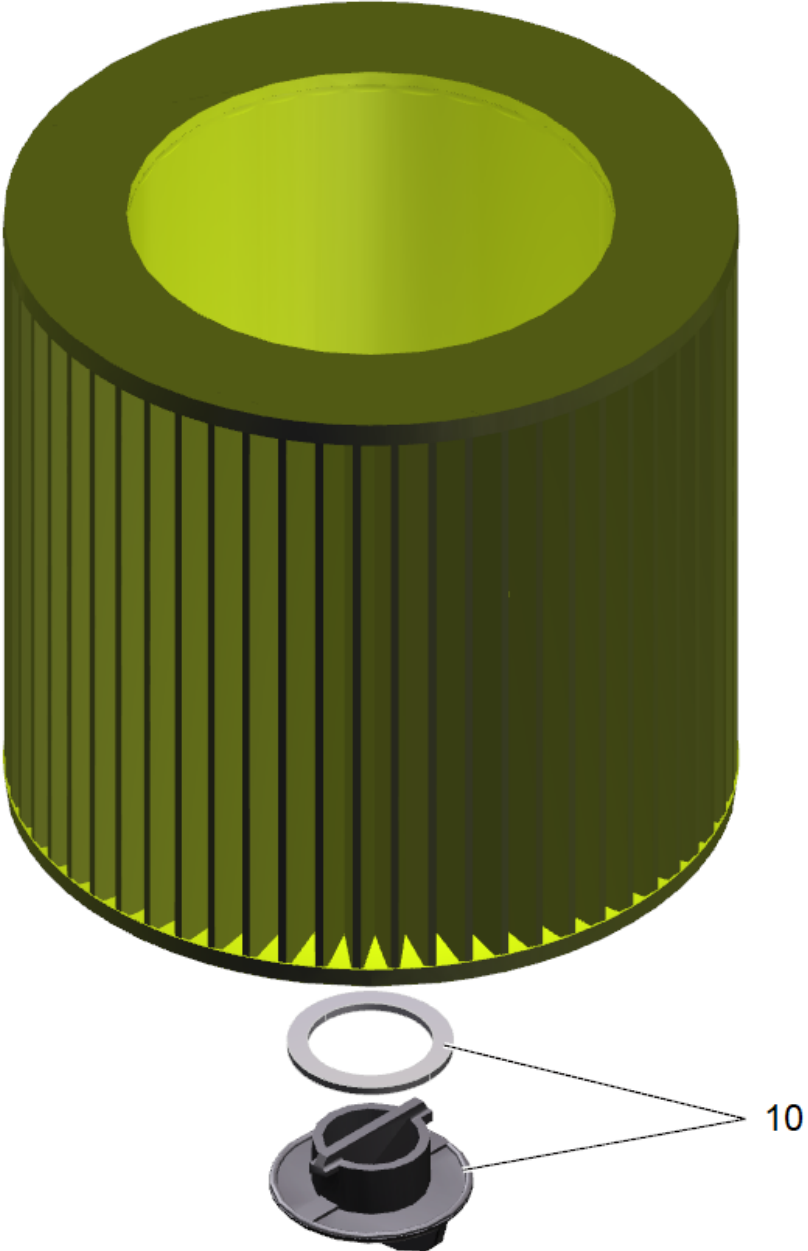
10 Appliance individual parts

POS	Article no.	Description	Quantity	Unit
7	6.647-996.0	Cable with plug *EU Cable with plug	1.000	ST
16	6.414-552.0	Cartridge filter WD/SE	1.000	ST
5	5.075-037.0	Closure	2.000	ST
17	4.075-012.0	Closure complete	1.000	ST
1	5.069-310.0	Cover WD 3 / WD 3.XXX neutral	1.000	ST
14	5.731-646.0	Filter cage	1.000	ST
12	5.585-062.0	Float ECO	1.000	ST
3	5.332-997.0	Helical spring	1.000	ST
6	5.053-183.0	Motor bracket	1.000	ST
13	5.034-734.0	Retaining bracket	1.000	ST
15	6.303-150.0	Screw 4,2x 22	6.000	ST
18	2.884-253.0	Set cable ferrite ring	1.000	ST
4	5.640-363.0	Slider	1.000	ST
2	6.630-087.0	Switch	1.000	ST
9	4.490-000.0	Vacuum motor complete for replacement Cu	1.000	ST



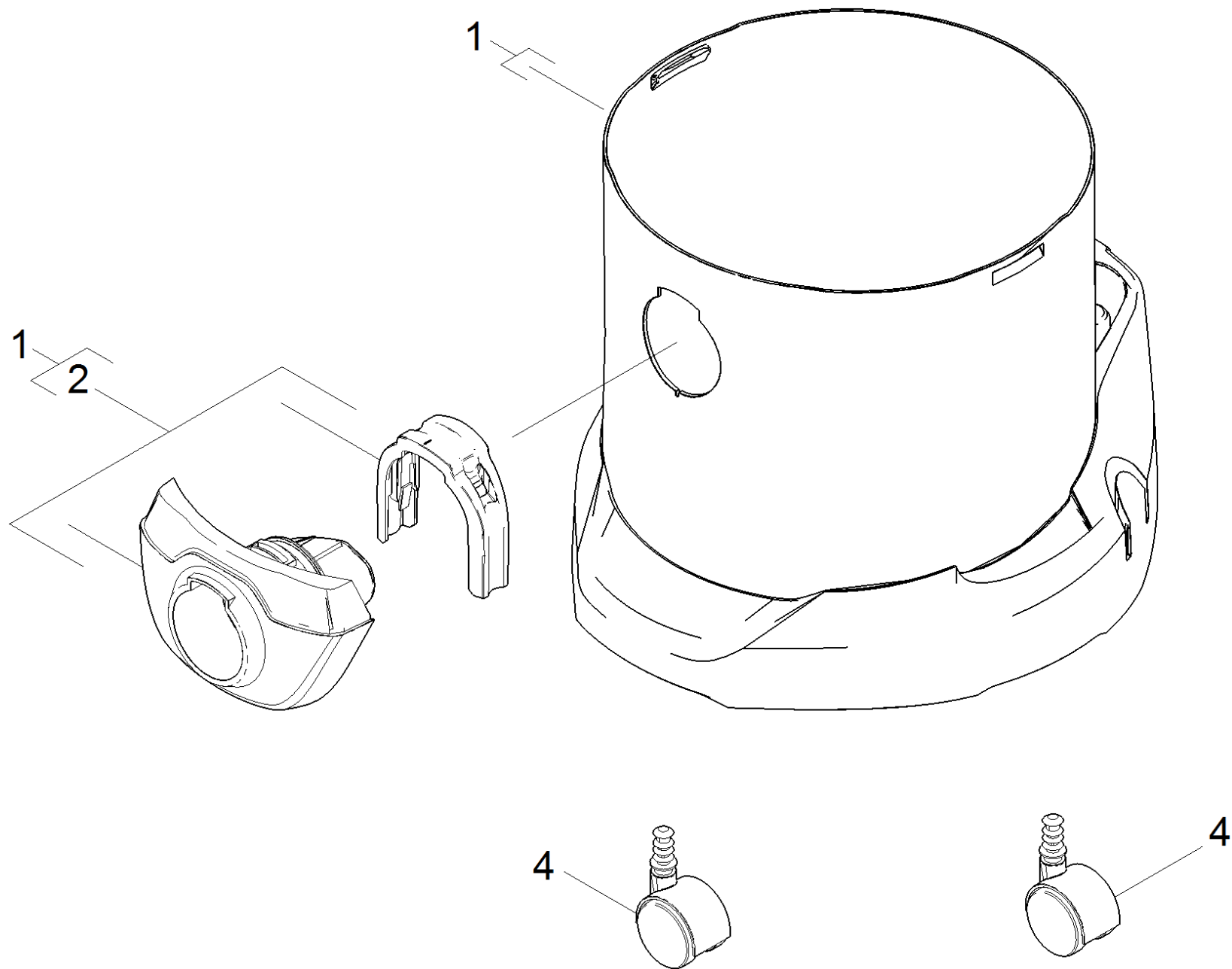
9 Vacuum motor complete for replacement Cu (4.490-000.0)

POS	Article no.	Description	Quantity	Unit
3	5.365-324.0	Bearing motor height compensation	1.000	ST
2	4.649-087.0	Cable ferrite ring complete DNA	1.000	ST
4	9.079-024.0	Seal motor above	1.000	ST



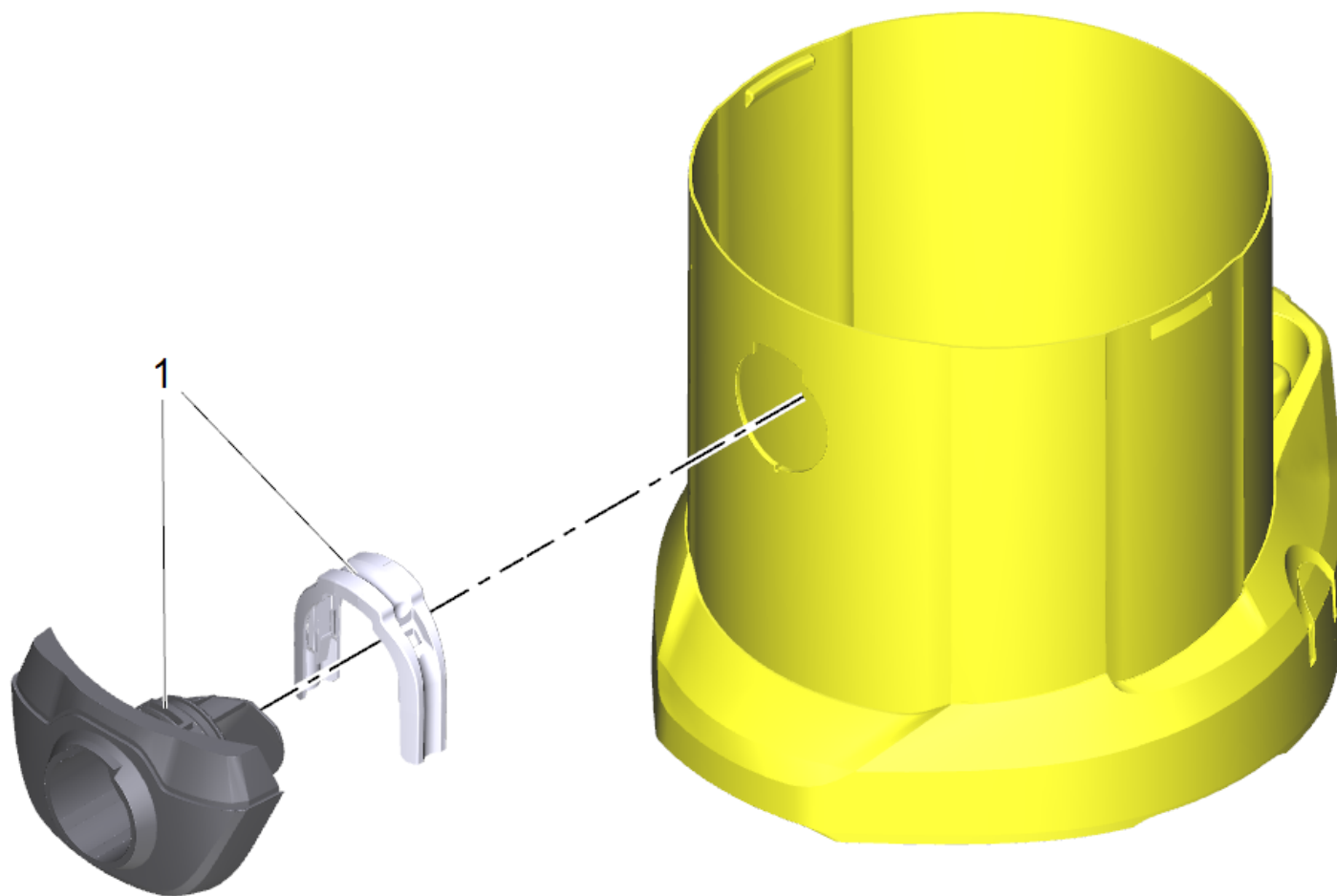
16 Cartridge filter WD/SE (6.414-552.0)

POS	Article no.	Description	Quantity	Unit
10	4.075-012.0	Closure complete	1.000	ST



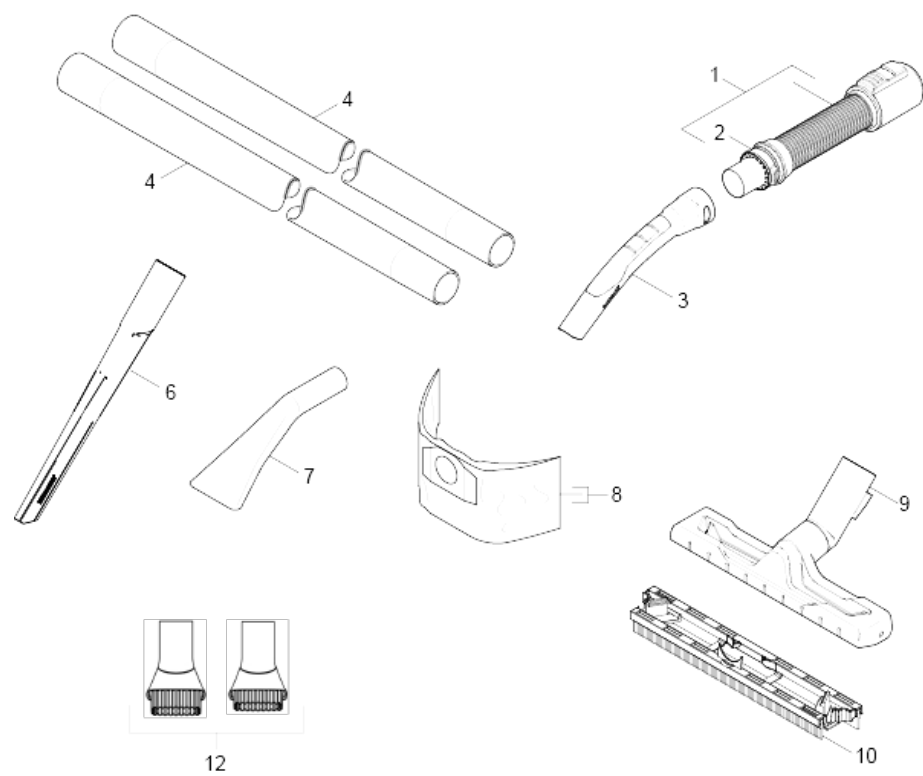
20 Tank

POS	Article no.	Description	Quantity	Unit
4	6.435-353.0	Castor D 42	4.000	ST
2	2.885-402.0	Suction connection complete packaged	1.000	ST
1	4.440-010.0	Tank complete plastics	1.000	ST



1 Tank complete plastics (4.440-010.0)

POS	Article no.	Description	Quantity	Unit
1	2.885-402.0	Suction connection complete packaged	1.000	ST



30 Accessories

POS	Article no.	Description	Quantity	Unit
7	2.863-145.0	Car nozzle WD/SE	1.000	ST
6	2.863-223.0	Crevice nozzle extra long WD/SE	1.000	ST
4	2.863-148.0	Extension suction tube WD	2.000	ST
8	6.959-130.0	Filter bag WD/SE 5pc.	1.000	ZSA
9	4.629-013.0	Floor tool clip packaged	1.000	ST
3	2.863-012.0	Hand grip suction hose	1.000	ST
1	4.441-066.0	Hose complete packaged	1.000	ST
10	4.629-016.0	Mixing insert floor nozzle packaged	1.000	ST
2	6.645-688.0	Spring washer suction hose	1.000	ST
12	2.863-221.0	Suction brush kit	1.000	ST