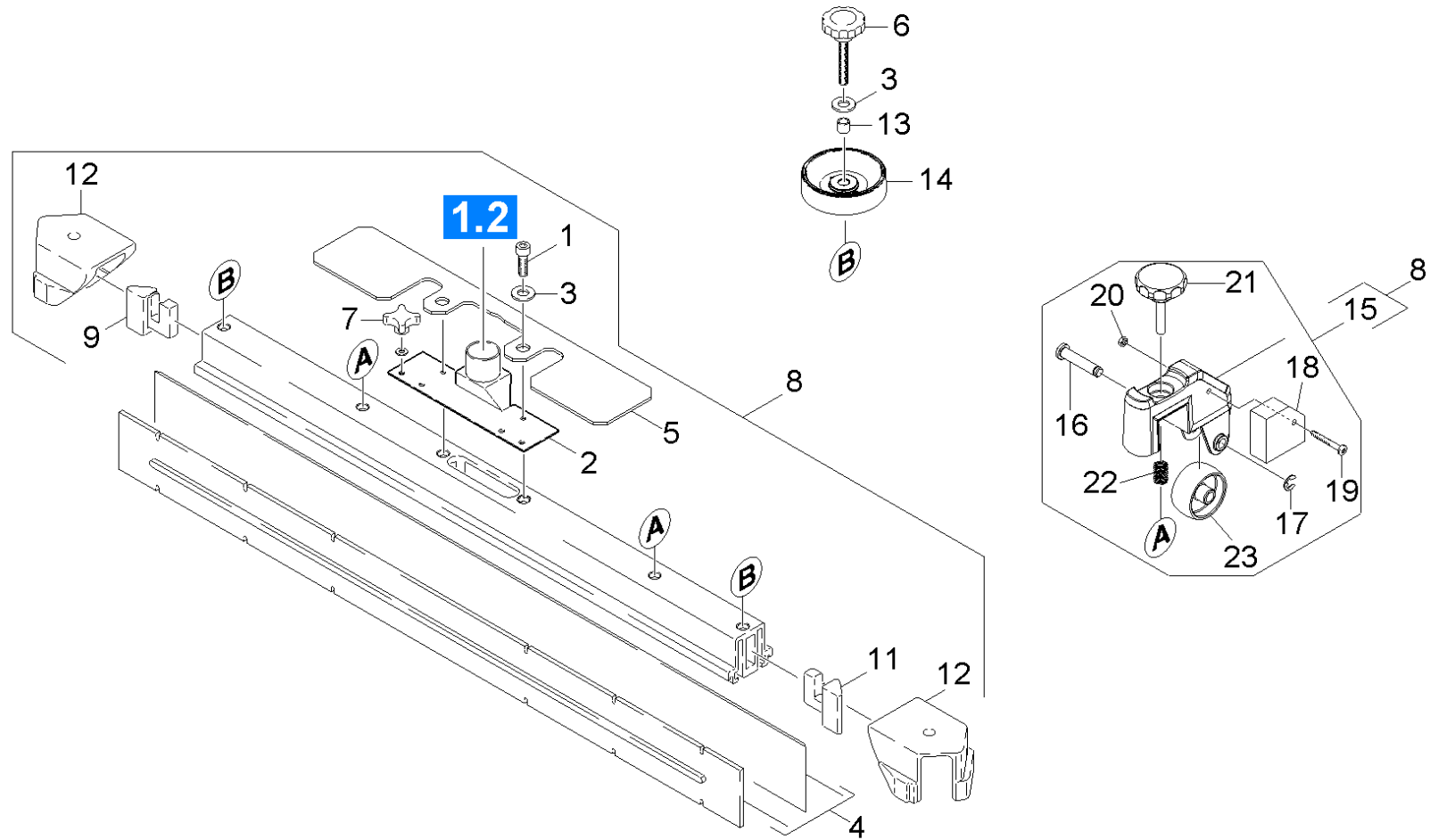


# 96 Suction bar

Professional \ Floor cleaner \ Ride-on \ BD-1000 BAT TOR \ Spare parts list BR/BD 1000 BAT \ Suction mechanism \ Suction bar



## 96 Suction bar

Professional \ Floor cleaner \ Ride-on \ BD-1000 BAT TOR \ Spare parts list BR/BD 1000 BAT \ Suction mechanism \ Suction bar



| POS | Article no. | Description                              | Quantity | Unit | Remark    | Foot note text               |
|-----|-------------|--|----------|------|-----------|------------------------------|
| 1   | 7.306-142.0 | Cylinder head screw M 8x25-A4-70 ISO 47  | 2.000    | ST   |           |                              |
| 2   | 4.777-061.0 | Suction nozzle                           | 1.000    | ST   |           |                              |
| 3   | 7.312-004.0 | Washer 8 -200HV-A3E ISO 7090             | 4.000    | ST   |           |                              |
| 4   | 6.273-216.0 | Rubber lip set anti stripe oil resistant | 1.000    | ZSA  |           | STANDARD                     |
| 4   | 6.273-295.0 | BLADES FOR TEXTURED FLOORS               | 1.000    | ST   |           | CLOSED, OIL RESISTANT        |
| 4   | 6.273-210.0 | Rubber lip set ( Oelfest) 1400 mm        | 1.000    | ZSA  |           | OIL RESISTANT                |
| 5   | 5.128-339.0 | Additional weight suction bar            | 1.000    | ST   |           |                              |
| 6   | 6.321-239.0 | Star grip VA Ø50x43                      | 2.000    | ST   | VERSION 2 | STAINLESS STEEL CONSTRUCTION |
| 7   | 6.321-054.0 | Star handle M8X16                        | 2.000    | ST   |           |                              |
| 8   | 4.777-051.0 | Suction bar straight BR-BD 1000          | 1.000    | ST   |           |                              |
| 9   | 5.033-579.0 | End piece inside right                   | 1.000    | ST   |           |                              |
| 11  | 5.033-578.0 | End piece inside left                    | 1.000    | ST   |           |                              |
| 12  | 2.885-294.0 | End piece left / right spare parts set   | 1.000    | ST   |           |                              |
| 13  | 5.094-231.0 | Sleeve suction bar in VA                 | 2.000    | ST   | VERSION 2 | STAINLESS STEEL CONSTRUCTION |
| 14  | 5.515-346.0 | Deflector roll suction bar D120          | 2.000    | ST   | VERSION 2 |                              |
| 15  | 4.035-339.0 | Roller suction bar                       | 2.000    | ST   |           |                              |
| 15  | 2.640-023.0 | Add-on kit rollers suction bar           | 1.000    | ST   |           |                              |
| 16  | 5.317-781.0 | Bolt roller                              | 2.000    | ST   |           |                              |
| 17  | 7.343-303.0 | Locking ring 8-A2 DIN 6799               | 2.000    | ST   |           |                              |
| 18  | 7.777-999.0 | Stockpiling discontinued                 | 2.000    | ST   |           |                              |
| 19  | 7.306-185.0 | Screw M5x 35-A2-70 (IN6RD)               | 2.000    | ST   |           |                              |
| 20  | 7.311-431.0 | Hexagon nut M 5-1.4305 DIN 985           | 2.000    | ST   |           |                              |
| 21  | 6.321-240.0 | Star grip with inscription VA Ø50x43     | 2.000    | ST   |           |                              |
| 22  | 5.332-504.0 | Pressure spring                          | 2.000    | ST   |           |                              |
| 23  | 6.435-401.0 | Wheel D54                                | 2.000    | ST   |           |                              |