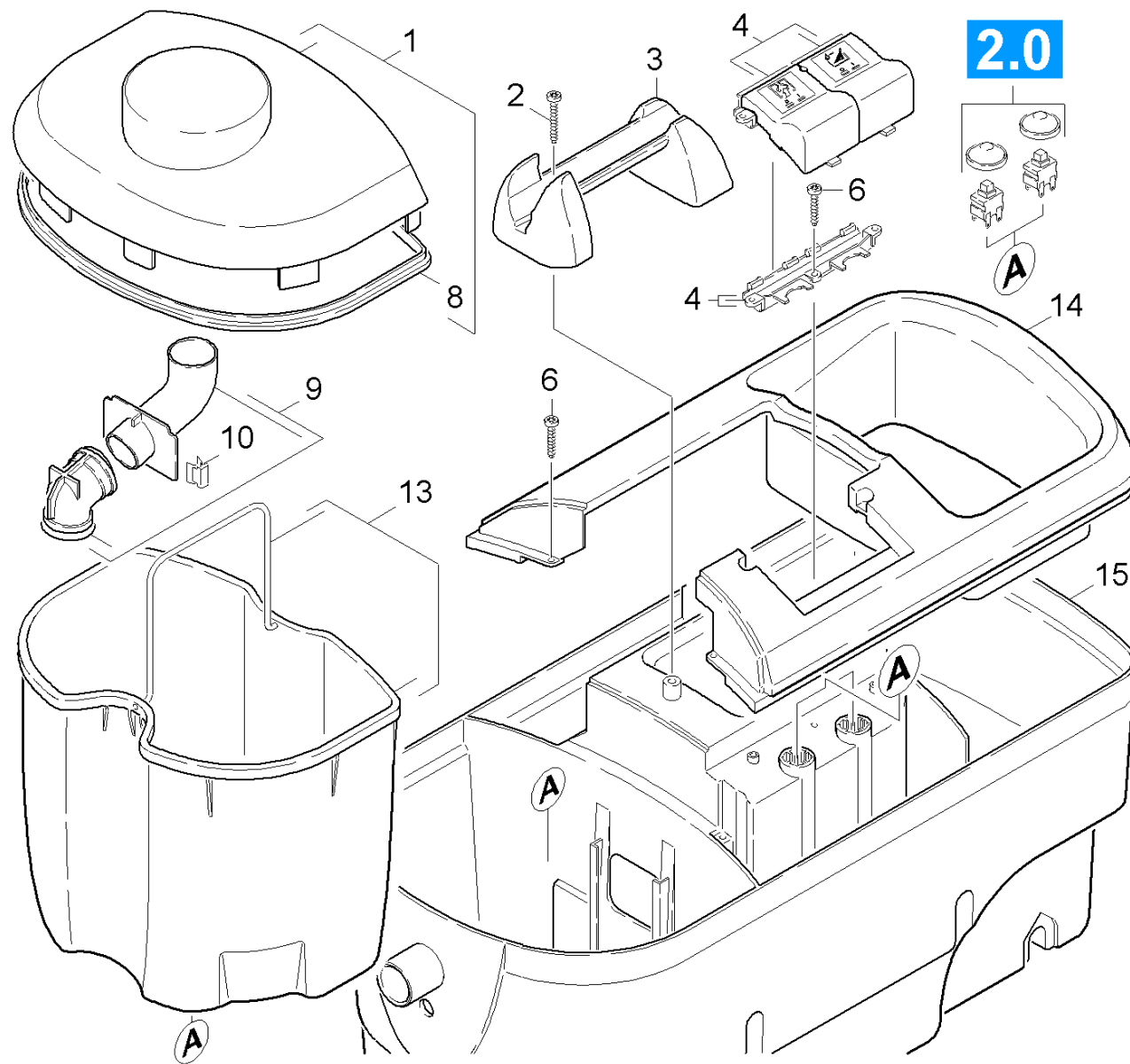


## 10 Tank water PUZZI 100

Overview technical documents/Professional/Spray extraction/PUZZI 100 SUPER \*EU (1.100-113.0)/Spare parts list PUZZI 100/10 Tank water PUZZI 100



**10 Tank water PUZZI 100**

Overview technical documents/Professional/Spray extraction/PUZZI 100 SUPER \*EU (1.100-113.0)/Spare parts list PUZZI 100/10 Tank water PUZZI 100

Rez.daļas/nodil.pakļ.daļas	Poz.	Materiāla Nr.	Nosaukums	Daudzums	Pārdoš. vienība	no sēr. Nr..	līdz sēr. Nr.
X-X	1	4.063-628.0	cover	1.000	ST	0000000000	0000000000
X-X	2	7.303-086.0	Skrūve 5x30 -10.9-R2R (K-In6Rd)	2.000	ST	0000000000	0000000000
X-X	3	5.321-517.0	Handhold	1.000	ST	0000000000	0000000000
	4	4.324-021.0	Pushbutton complete grey	1.000	ST	0000000000	0000000000
X	6	7.303-084.0	Skrūve 4x25 -10.9-R2R (K-In6Rd)	5.000	ST	0000000000	0000000000
X-X	8	5.363-390.0	Vāka blīvējums	1.000	ST	0000000000	0000000000
X-X	9	4.031-070.0	Elbow complete	1.000	ST	0000000000	0000000000
X-X	10	6.373-081.0	U-fastening	2.000	ST	0000000000	0000000000
	13	4.070-298.0	Tank complete	1.000	ST	0000000000	0000000000
	14	5.013-082.0	Funnel	1.000	ST	0000000000	0000000000
	15	5.060-761.0	Housing RAL9010	1.000	ST	0000000000	0000000000
Pozīcijas teksts: / 1.100-112.0							
	15	5.060-604.0	Housing ral	1.000	ST	0000000000	0000000000
Pozīcijas teksts: / 1.100-101.0 / -102.0 / -103.0 / -104.0 / -107.0 / -113.0 / -114.0 / -116.0 / -117.0							
	15	5.060-736.0	Housing RAL 9010* BENELUX	1.000	ST	0000000000	0000000000
Pozīcijas teksts: / 1.100-108.0							
	15	5.069-241.0	Housing RAL 2004 BOELS	1.000	ST		
Pozīcijas teksts: /1.100-115.0							