

Spare parts list

(1.428-540.0) NT 20/1 Me Classic *KAP

Table of contents

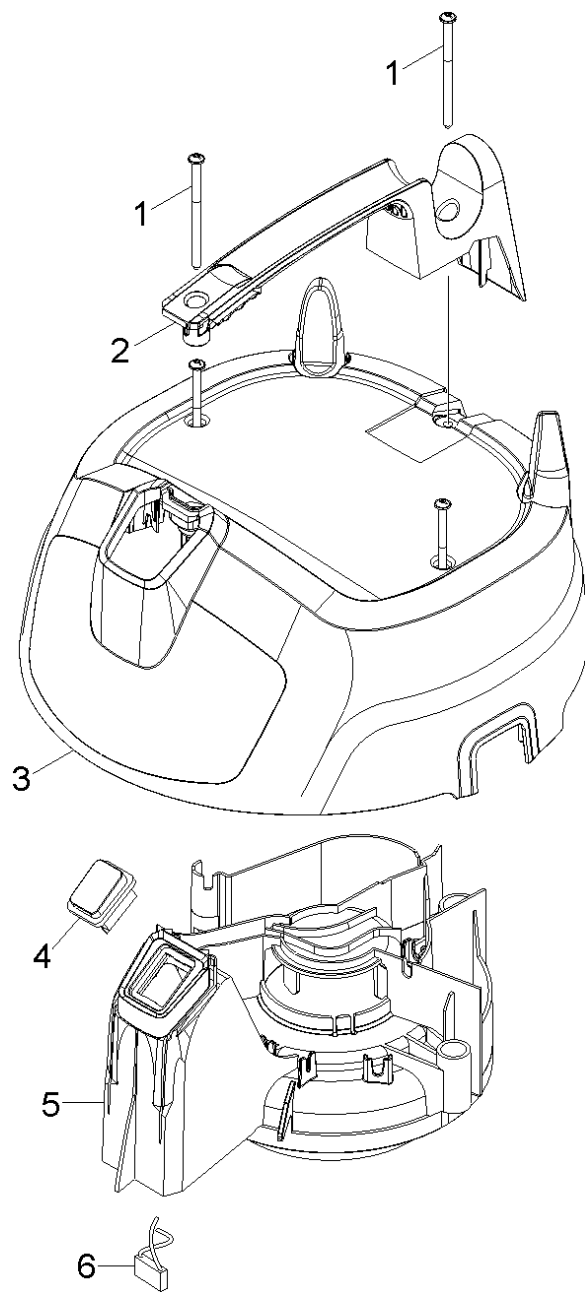
NT 20/1 Me Classic *KAP (1.428-540.0)	3
4 Spare parts list NT 20/1 Me Classic *EU (5.972-582.0)	4
10 Cover	5
20 Turbine	7
12 Filter complete special accessories (9.755-260.0)	9
30 Tank	11
40 Accessories	13

NT 20/1 Me Classic *KAP (1.428-540.0)

POS	Article no.	Description	Quantity	Unit
4	5.972-582.0	Spare parts list NT 20/1 Me Classic *EU	1	PC

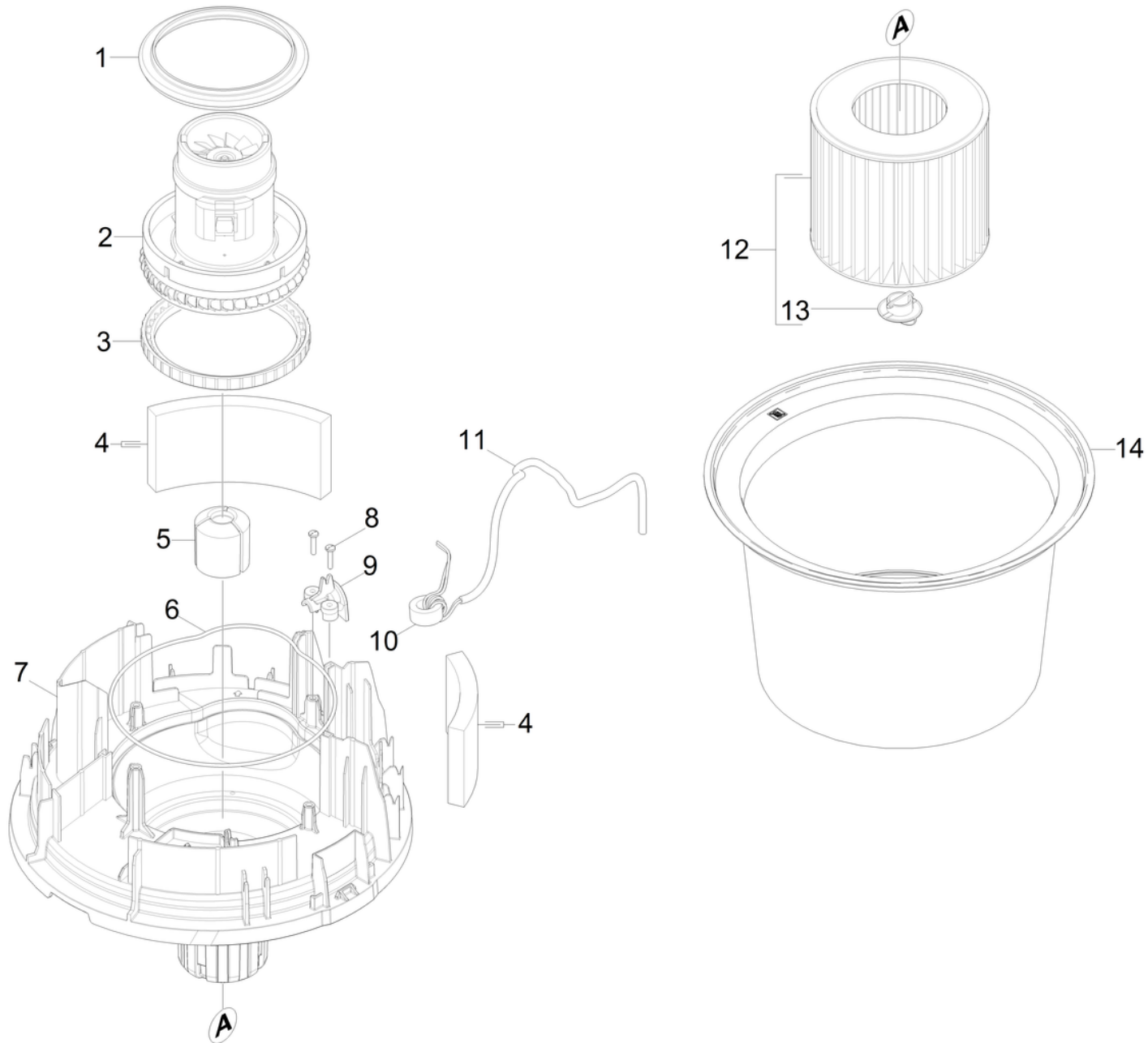
4 Spare parts list NT 20/1 Me Classic *EU (5.972-582.0)

POS	Description	Quantity	Unit
10	Cover	1	PC
20	Turbine	1	PC
30	Tank	1	PC
40	Accessories	1	PC



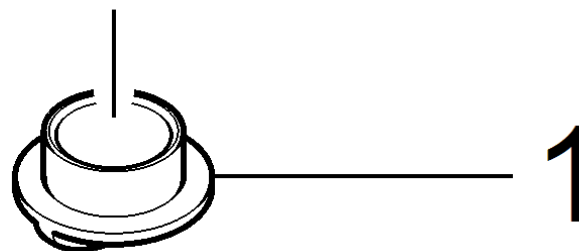
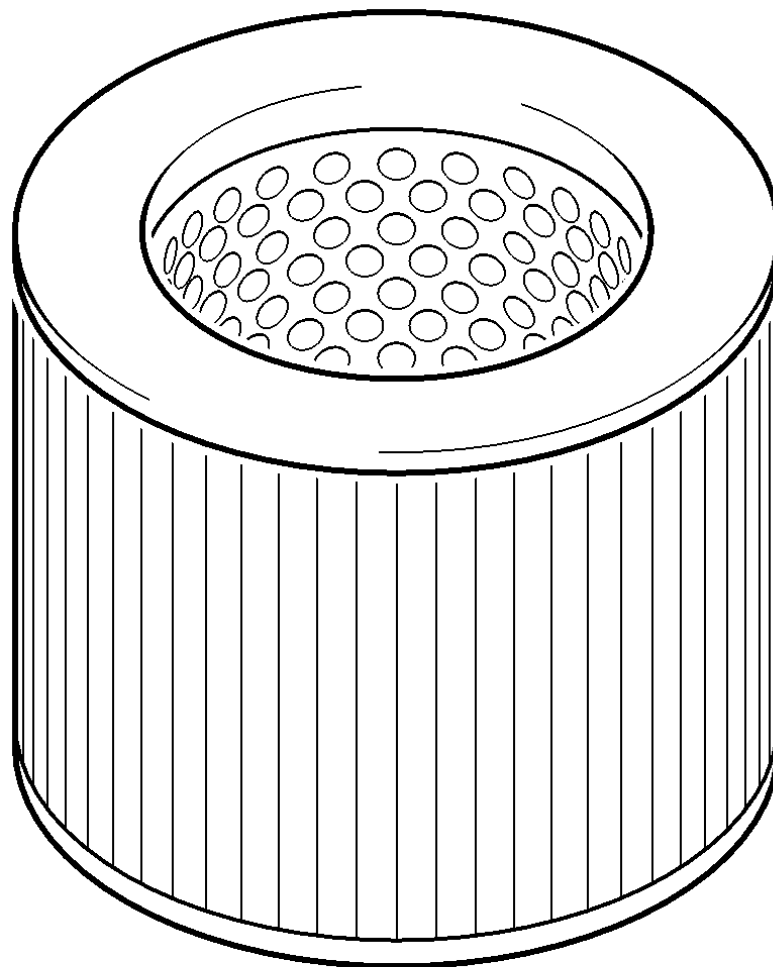
10 Cover

POS	Article no.	Description	Quantity	Unit
1	7.303-171.0	Screw 5x80 -10.9-R2R (K-In6Rd)	4	PC
2	9.770-613.0	Handhold	1	PC
3	9.771-116.0	Housing turbine station NT	1	PC
4	9.770-635.0	Switch 240V	1	PC
5	9.770-623.0	Motor housing	1	PC
6	9.770-637.0	Electrical small parts NT 38/1, NT 30/1,	1	PC



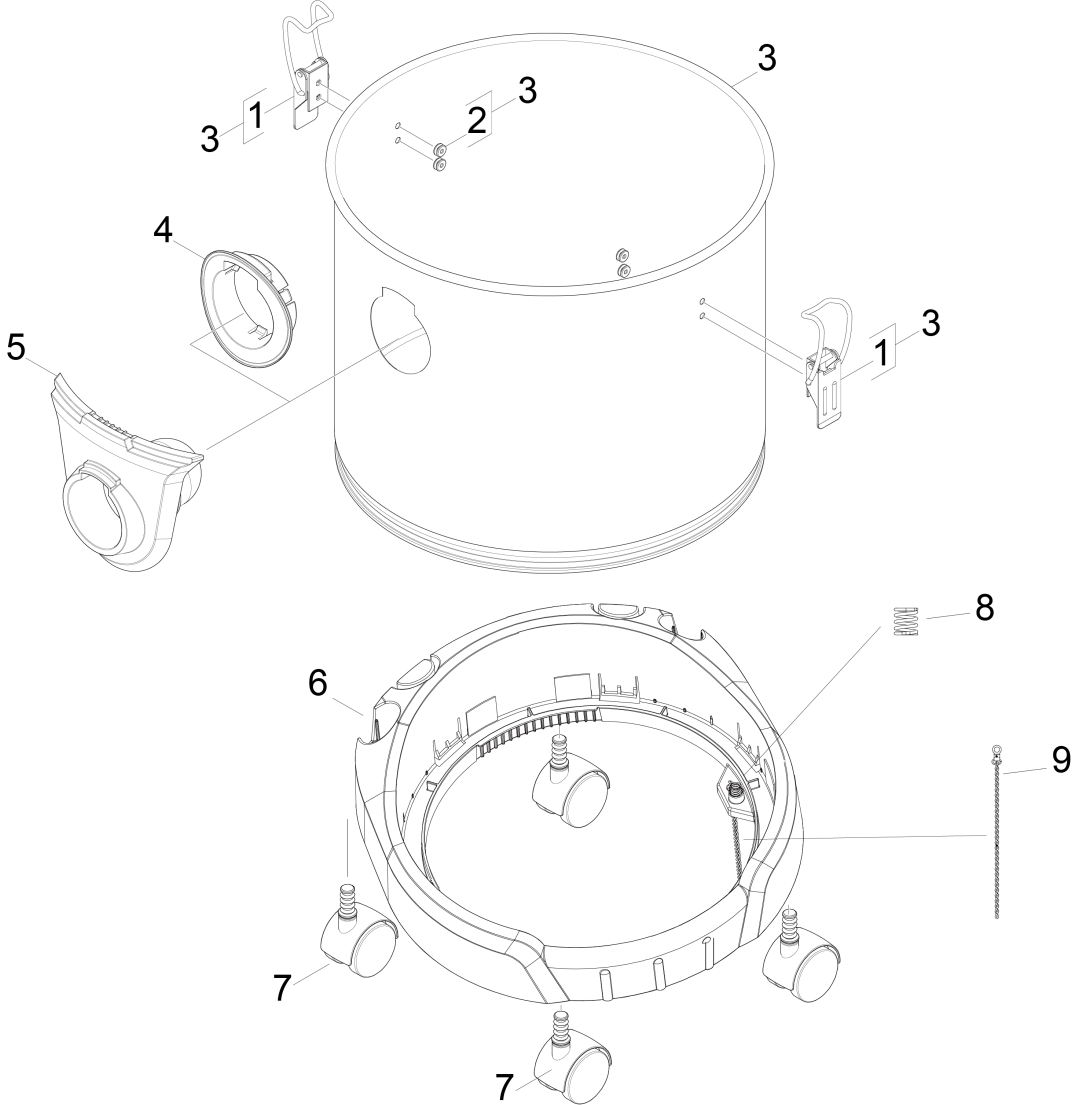
20 Turbine

POS	Article no.	Description	Quantity	Unit	Foot note text
1	9.770-624.0	Engine support above	1	PC	
2	9.770-634.0	Vacuum motor KING CLEAN	1	PC	
3	9.770-625.0	Engine support bottom	1	PC	
4	9.755-262.0	Insulating mat set	1	PC	
5	9.770-622.0	Float	1	PC	
6	9.770-686.0	Seal string cellular rubber	1	PC	
7	9.770-614.0	Housing base plate	1	PC	
8	9.770-639.0	Safety screw 4x20	2	PC	
9	9.770-615.0	Strain relief	1	PC	
10	6.346-043.0	Ferrite ring	1	PC	
11	9.770-820.0	Power cable 6,5m *EU	1	PC	
12	9.755-260.0	Filter complete special accessories	1	PC	Accessories optional
13	9.770-689.0	Filter clip	1	PC	Accessories optional
14	9.770-994.0	Filtering basket	1	PC	
15	9.770-642.0	Fleece filter	1	PC	



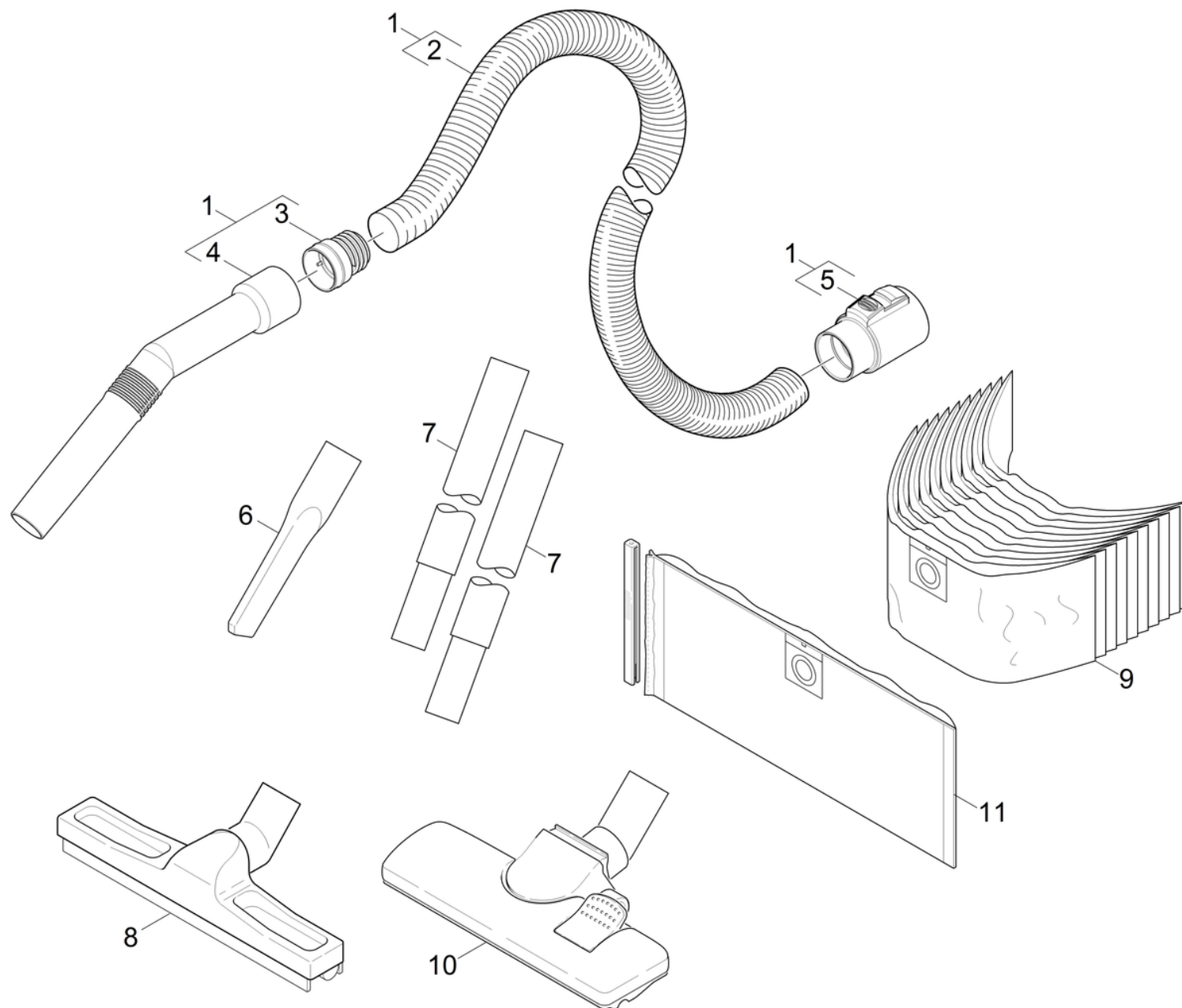
12 Filter complete special accessories (9.755-260.0)

POS	Article no.	Description	Quantity	Unit
1	9.770-689.0	Filter clip	1	PC



30 Tank

POS	Article no.	Description	Quantity	Unit
1	9.770-619.0	Snap fastener	2	PC
2	9.770-641.0	Blind rivet 4.8x7	4	PC
3	9.755-361.0	Tank stainless steel complete	1	PC
4	9.770-618.0	Suction connection ring	1	PC
5	9.770-617.0	Suction connection	1	PC
6	9.770-620.0	Bumper	1	PC
7	9.770-713.0	Double castor	4	PC
8	5.332-914.0	Spring	1	PC
9	9.771-057.0	Metal chain station	1	PC



40 Accessories

POS	Article no.	Description	Quantity	Unit
1	9.755-263.0	Suction hose completely	1	PC
2	9.770-640.0	Suction hose 2,5m	1	PC
3	9.770-582.0	Adapter	1	PC
4	9.770-581.0	Hand grip curved	1	PC
5	9.770-583.0	Connecting nipple	1	PC
6	9.770-638.0	Crevice nozzle	1	PC
7	9.770-654.0	Suction tube black Me DN35	2	PC
8	9.755-550.0	Floor tool replacement	1	PC
9	9.755-360.0	Filter bags set replacement	1	PC
10	9.755-548.0	Floor tool replacement	1	PC
11	9.755-410.0	Filter bag cloth special accessories	1	PC