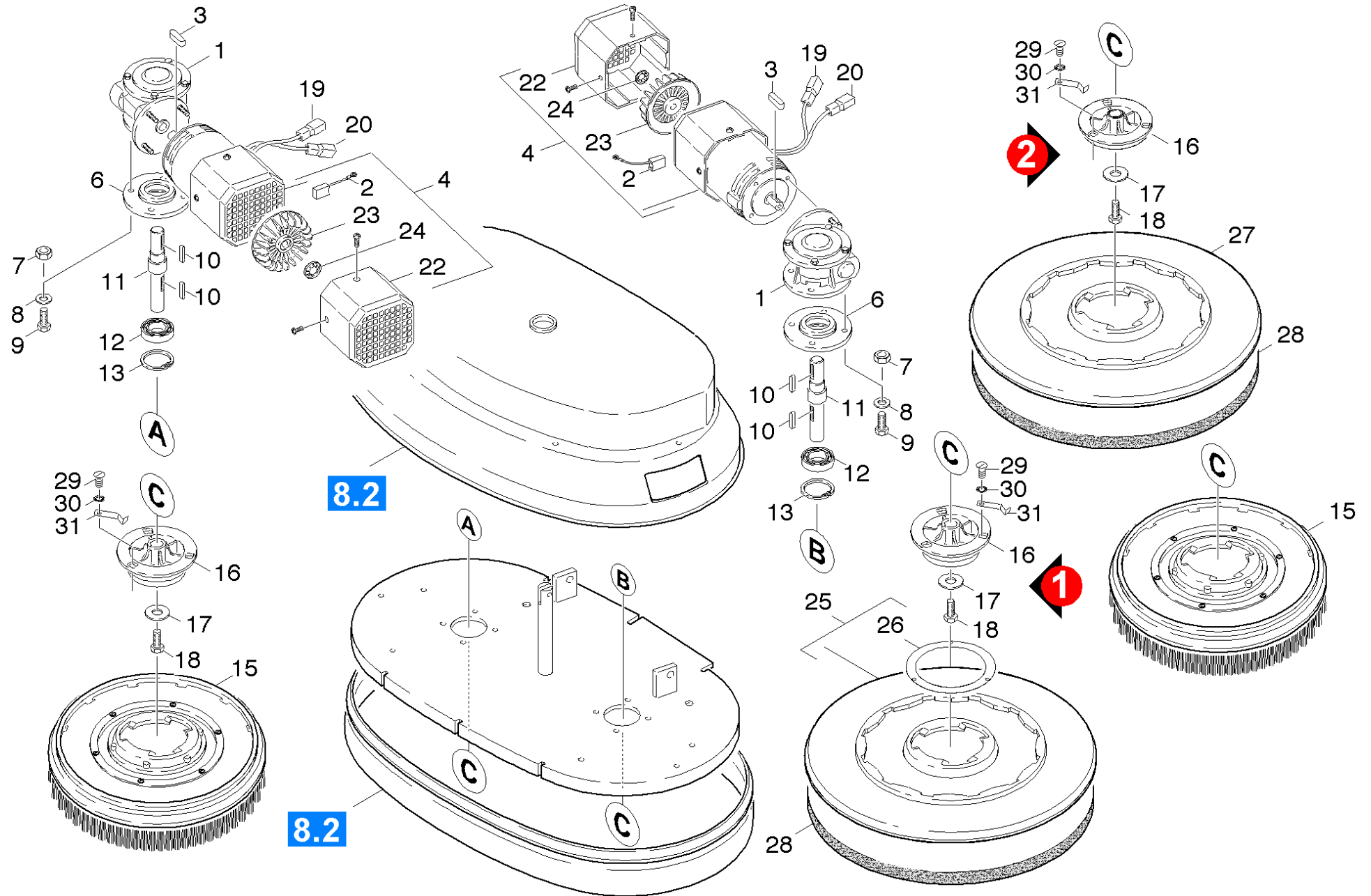


81 Bottom part

Professional \ Floor cleaner \ Walk behind \ BR 750 BAT *EU \ Spare parts list BR/BD 750 BAT \ Power brush BD \ Bottom part



81 Bottom part

Professional \ Floor cleaner \ Walk behind \ BR 750 BAT *EU \ Spare parts list BR/BD 750 BAT \ Power brush BD \ Bottom part

POS	Article no.	Description	Quantity	Unit	Remark	Foot note text
12	7.401-173.0	Ball bearing 6204-2RS-WAELZLAGST DIN 625	2.000	ST		
23	6.613-025.0	Blower wheel	2.000	ST		
2	6.610-102.0	Carbon brush set	2.000	ZSA		
2	6.610-216.0	Carbon brush set	2.000	ZSA	AMER	
4	6.613-289.3	Direct current motor	2.000	ST		
15	6.958-233.0	Disc brush	2.000	ST		SCHWARZ
15	6.958-235.0	Disc brush black (old colour grey)	2.000	ST		
15	6.958-234.0	Disc brush red (old colour white)	2.000	ST		
27	6.906-333.0	Disk pad	1.000	ST		VERSION 2
16	4.122-140.0	Flange complete	2.000	ST		VERSION 1+2
6	5.122-470.0	Flange worked	2.000	ST		
18	7.304-395.0	Hexagonal head screw M8x16-8.8-A2E ISO	2.000	ST		
9	7.304-406.0	Hexagonal head screw M 8x35-8.8-A2E IS	8.000	ST		
7	7.311-004.0	Hexagon nut M8 -8-A3E ISO 4032	8.000	ST		
13	7.343-115.0	Locking ring 47x1,75 -St-ph DIN 472	2.000	ST		
28	6.369-001.0	Pad black set 5x	1.000	ZSA		
25	4.762-311.0	Pad disk	2.000	ST		VERSION 1
28	6.369-002.0	Pad green	1.000	ZSA		
28	6.369-959.0	Pad Mikrofaser	1.000	ZSA		WEISS
28	6.369-003.0	Pad red	1.000	ZSA		
3	7.318-070.0	Parallel key 5x5x20-C45K DIN 6885-1	2.000	ST		
10	7.318-030.0	Parallel key 6x6x25 -C45K DIN 6885-1	4.000	ST		
31	5.337-033.0	Plate spring	3.000	ST		
20	6.643-048.0	Plug blue complete 75A 12mm ²	2.000	ST		
19	6.643-047.0	Plug red complete 75A 12mm ²	2.000	ST		
24	6.343-149.0	Quick-fastener	2.000	ST		
26	5.114-497.0	Ring pad drive disk	1.000	ST		VERSION 1
29	7.306-213.0	Screw M5x6 -A2-70 (In6Rd)	3.000	ST		
30	7.312-041.0	Serrated lock washer A5,3-1.4310 DIN 67	3.000	ST		
11	5.100-187.0	Shaft	4.000	ST		

81 Bottom part

Professional \ Floor cleaner \ Walk behind \ BR 750 BAT *EU \ Spare parts list BR/BD 750 BAT \ Power brush BD \ Bottom part



POS	Article no.	Description	Quantity	Unit	Remark	Foot note text
22	7.777-999.0	Stockpiling discontinued	2.000	ST		
17	7.312-261.0	Washer 8 -100HV-A3E ISO 7094	2.000	ST		
8	7.312-004.0	Washer 8 -200HV-A3E ISO 7089	8.000	ST		
1	6.454-198.3	Worm gearing i=20	2.000	ST		