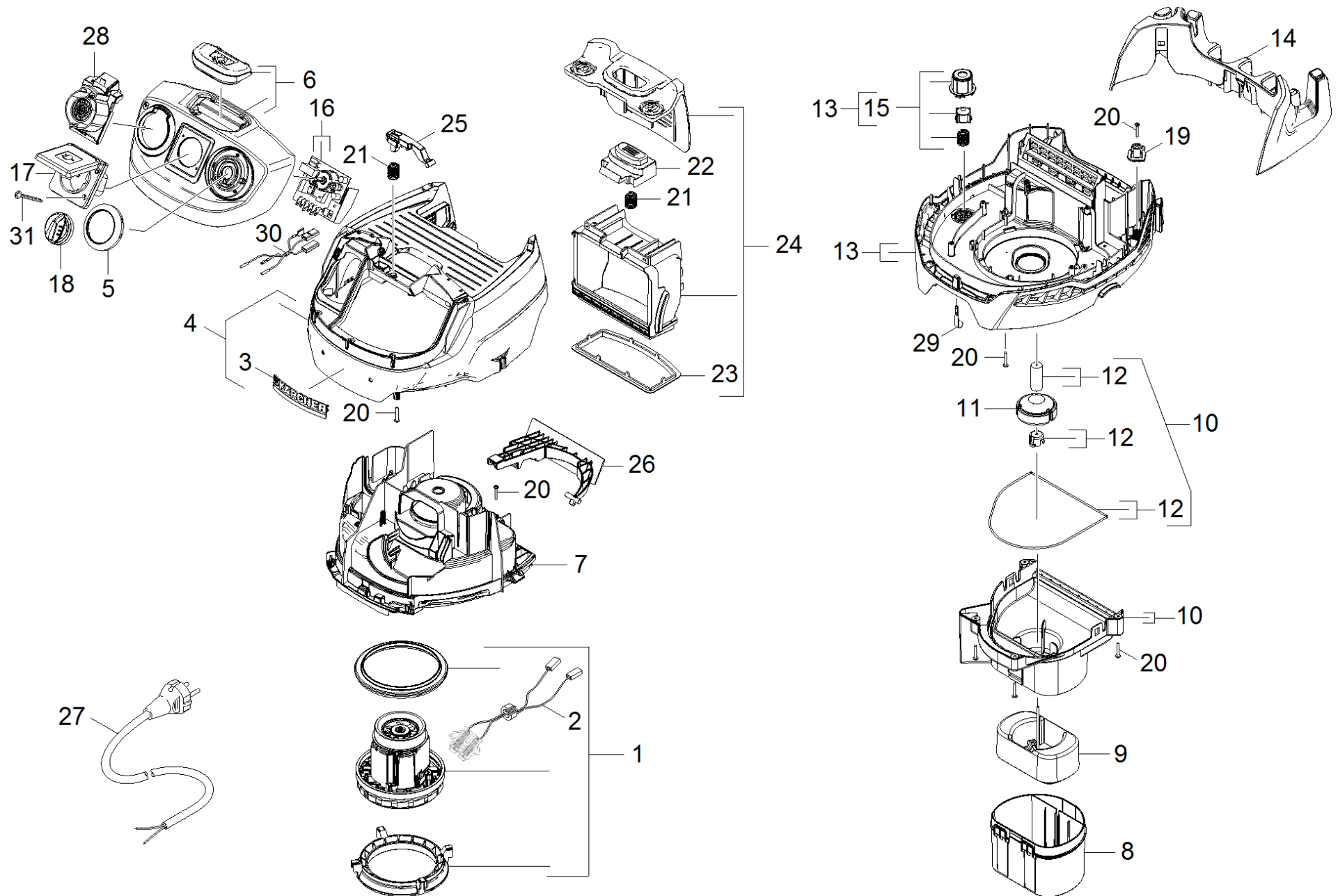


10 Appliance individual parts

Home and Garden \ Vacuum cleaner \ Wet-/Dry vacuum cleanerwet \ WD 6 P Premium Renovation *EU-II \ Spare parts list WD 6 P Premium Renovati \ Appliance individual parts



10 Appliance individual parts

Home and Garden \ Vacuum cleaner \ Wet-/Dry vacuum cleanerwet \ WD 6 P Premium Renovation *EU-II \ Spare parts list WD 6 P Premium Renovati \ Appliance individual parts



POS	Article no.	Description	Quantity	Unit
1	4.490-019.0	Vacuum motor complete for replacement 14	1.000	ST
2	9.002-101.0	Cable with ferrite packed	1.000	ST
3	9.037-643.0	KAERCHER label	1.000	ST
4	9.002-097.0	Cover neutrally complete	1.000	ST
5	9.038-360.0	On/Off ring PT	1.000	ST
6	9.002-102.0	Front panel P complete	1.000	ST
7	9.038-271.0	Air circulation	1.000	ST
8	9.038-264.0	Float cage	1.000	ST
9	9.002-032.0	Float complete WD 4	1.000	ST
10	9.002-033.0	Cover float complete WD 4	1.000	ST
11	9.038-070.0	Float valve	1.000	ST
12	9.002-034.0	Seal float complete WD 4	1.000	ST
13	9.002-089.0	Motor bracket complete	1.000	ST
14	9.038-287.0	Retainer accessories	1.000	ST
15	9.002-036.0	Safety valve complete WD 4	1.000	ST
16	4.682-004.0	Electronics for replacement WD5/WD6	1.000	ST
17	6.646-561.0	Plug socket *EU	1.000	ST
18	9.038-363.0	Rotary switch PT WD	1.000	ST
19	9.036-997.0	Strain relief	1.000	ST
20	6.303-150.0	Screw 4,2x 22	14.000	ST
21	6.330-415.0	Pressure spring VC6	2.000	ST
22	9.038-283.0	Fbox button WD5	1.000	ST
23	9.079-080.0	Fbox Sealing	1.000	ST
24	9.002-091.0	Filter box complete	1.000	ST
25	9.038-278.0	Lever spring	1.000	ST
26	9.038-279.0	Flap filter	1.000	ST
27	9.084-252.0	Cable 6,5m 3G1,5 mm *EU	1.000	ST
28	9.013-059.0	Connection complete	1.000	ST
29	9.047-057.0	Spring ESD	1.000	ST
30	9.084-349.0	Cable triple MV6	1.000	ST
31	9.086-184.0	Screw 3x20	2.000	ST