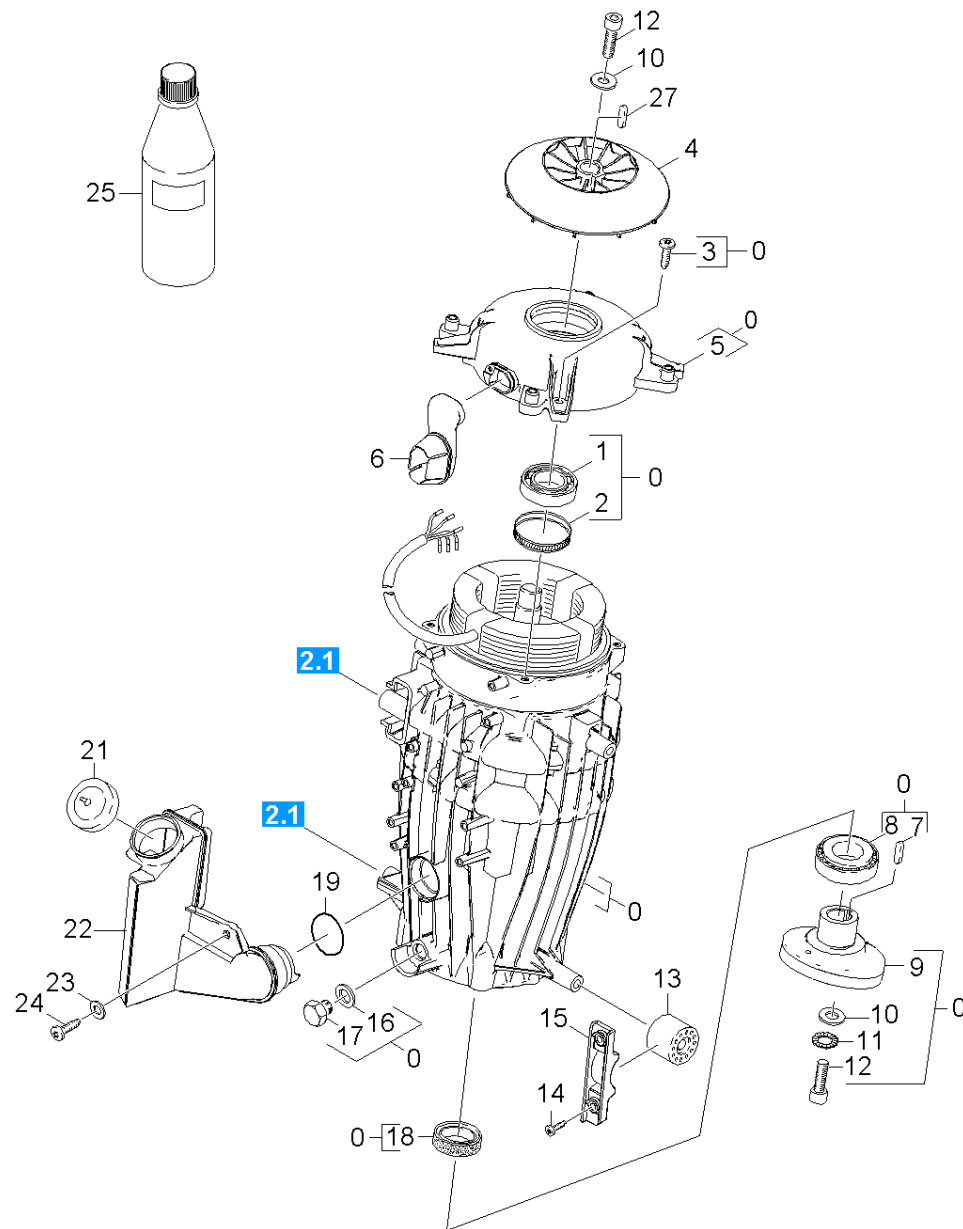


### 30 Motor

Overview technical documents/Professional/High pressure cleaner cold water/Electric motor/HD 9/20-4m (1.524-400.0)/Spare parts list high-pressure 9/20-4M \*/30 Motor



**30 Motor**

Overview technical documents/Professional/High pressure cleaner cold water/Electric motor/HD 9/20-4m (1.524-400.0)/Spare parts list high-pressure 9/20-4M \*/30 Motor

Rez.daļas/nodil.pakļ.daļas	Poz.	Materiāla Nr.	Nosaukums	Daudzums	Pārdoš. vienība	no sēr. Nr..	līdz sēr. Nr.
	0	4.623-871.0	Motor complete only for replacement	1.000	ST		
	1	6.401-253.0	Lodīšu gultnis 6305-2Z	1.000	ST	0000000000	0000000000
	2	6.343-010.0	Montāžas distancgredzens 62x10	1.000	ST	0000000000	0000000000
	3	7.303-049.0	Screw M6x25-ST-A3R (IN6RD)	4.000	ST	0000000000	0000000000
	4	5.600-082.0	Blower wheel	1.000	ST	0000000000	0000000000
	5	5.061-186.0	Bearing cover B	1.000	ST	0000000000	0000000000
	6	5.365-270.0	Profile gasket	1.000	ST	0000000000	0000000000
	7	7.318-030.0	Parallel key 6x6x25 -C45R DIN 6885-1	1.000	ST	0000000000	0000000000
	8	6.401-405.0	taper roller bearing	1.000	ST	0000000000	0000000000
	9	4.120-239.0	wobble plate	1.000	ST	0000000000	0000000000
	10	5.115-565.0	washer	2.000	ST	0000000000	0000000000
	11	7.312-159.0	toothed lock washer	1.000	ST	0000000000	0000000000
	12	7.306-041.0	cylinder head screw	2.000	ST	0000000000	0000000000
	13	5.767-005.0	Gumijas buferis	4.000	ST	0000000000	0000000000
	14	7.303-108.0	Skrūve 5x20 -10.9-R2R (In6Rd)	4.000	ST	0000000000	0000000000
	15	5.802-288.0	Mounting part	2.000	ST	0000000000	0000000000
	16	6.362-028.0	O-Ring seal 11x2,2 NBR 70	2.000	ST	0000000000	0000000000
	17	5.411-100.0	screw plug	2.000	ST	0000000000	0000000000
	18	7.367-009.0	Vārpstas blīvslēgs A35x52x7-NBR DIN	2.000	ST	0000000000	0000000000
	19	6.362-722.0	O-Ring seal 28,0 X 3,0	1.000	ST	0000000000	0000000000
X-X	21	5.064-457.0	Cover qusty grey SAE 90	1.000	ST	0000000000	0000000000
	22	5.070-658.0	Eļļas tvertne	1.000	ST	0000000000	0000000000
	23	7.312-260.0	washer	1.000	ST	0000000000	0000000000
	24	6.303-153.0	Screw M5x15-ST-R2R (IN6RD)	1.000	ST	0000000000	0000000000
X-X	25	6.288-016.0	Transmisijas eļļa	1.000	ST	0000000000	0000000000

### 30 Motor

Overview technical documents/Professional/High pressure cleaner cold water/Electric motor/HD 9/20-4m (1.524-400.0)/Spare parts list high-pressure 9/20-4M \*/30 Motor

Rez.daļas/nodil.pakļ.daļas	Poz.	Materiāla Nr.	Nosaukums	Daudzums	Pārdoš. vienība	no sēr. Nr..	līdz sēr. Nr.
	27	7.318-079.0	Prizm. ierīvis 6x6x32-C45R DIN 6885	1.000	ST	000000000	000000000