

## **Spare parts list**

(1.367-315.0) HD 9/18-4 Cage \*KAP

## Table of contents

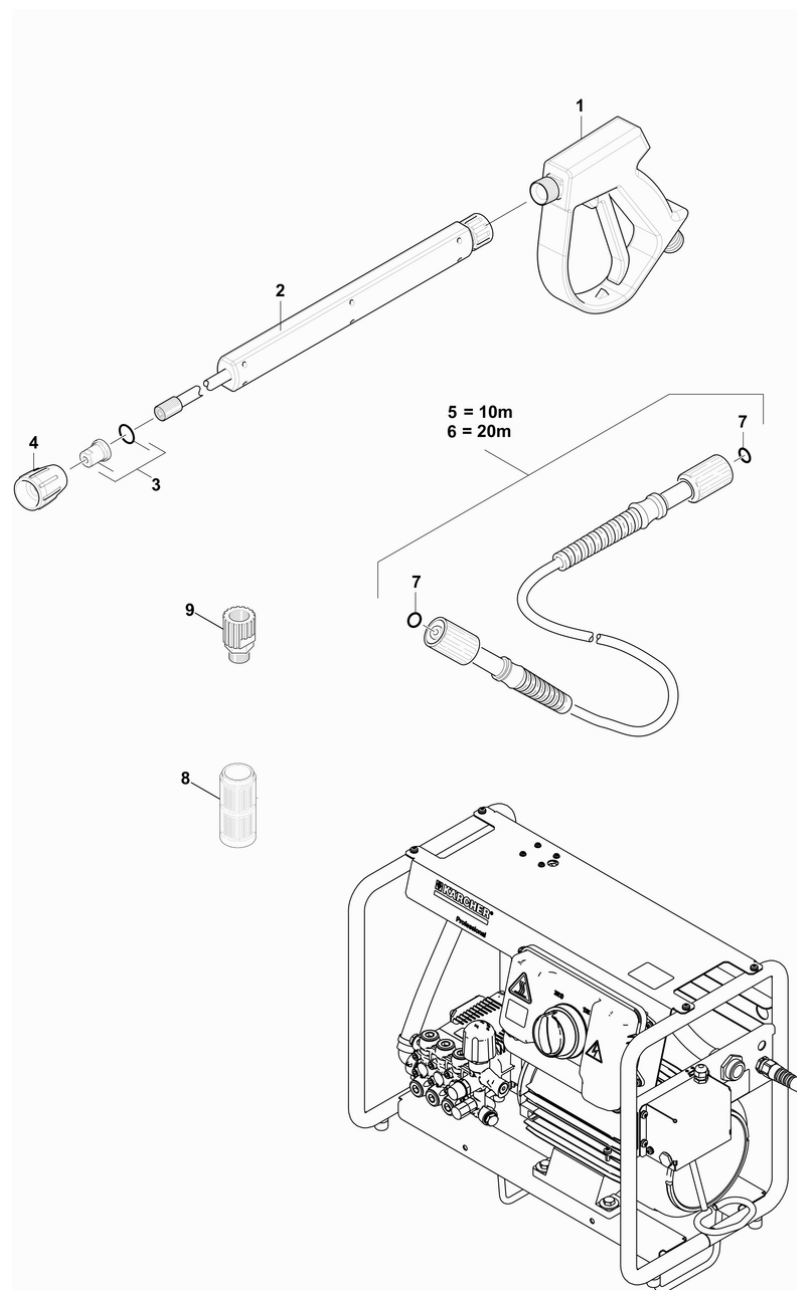
---

HD 9/18-4 Cage *KAP (1.367-315.0)	3
Short spare parts list	4
Spare parts list HD 9/18-4 Cage (9.761-390.0)	6
3 Pump set only for replacement HD 9/20 (9.751-078.0)	10
1 Pump set HD 9/20	12
4 Cylinder head safety valve complete 25MP	14
1 Cylinder head (9.751-110.0)	16
6 Valve seat complete only for replacement (9.751-028.0)	18
5 Electric control box	21
6 Filter complete 250µm	23
10 Prefilter small (6.997-343.0)	25
54 Elbow screw connector R1" (6.391-867.0)	27
900 Accessories	29
901 Hand trigger gun	30
902 Rotating coupler	32
903 High pressure hose	34
2 HD hose DN8 10m (9.751-087.0)	36
2 HD hose DN8 20m (9.751-088.0)	38
904 Jet pipe	40
905 Screw connector part	42
906 Power nozzle	44
1 Power nozzle 25050 (2.883-399.0)	46
9000 Spare parts list add-on kit hook	48
7 Switch hook complete	50
9 Switch complete (9.751-122.0)	52

HD 9/18-4 Cage \*KAP (1.367-315.0)

---

<b>POS</b>	<b>Article no.</b>	<b>Description</b>	<b>Quantity</b>	<b>Unit</b>
0		Short spare parts list	1.000	ST
0	9.761-390.0	Spare parts list HD 9/18-4 Cage	1.000	ST

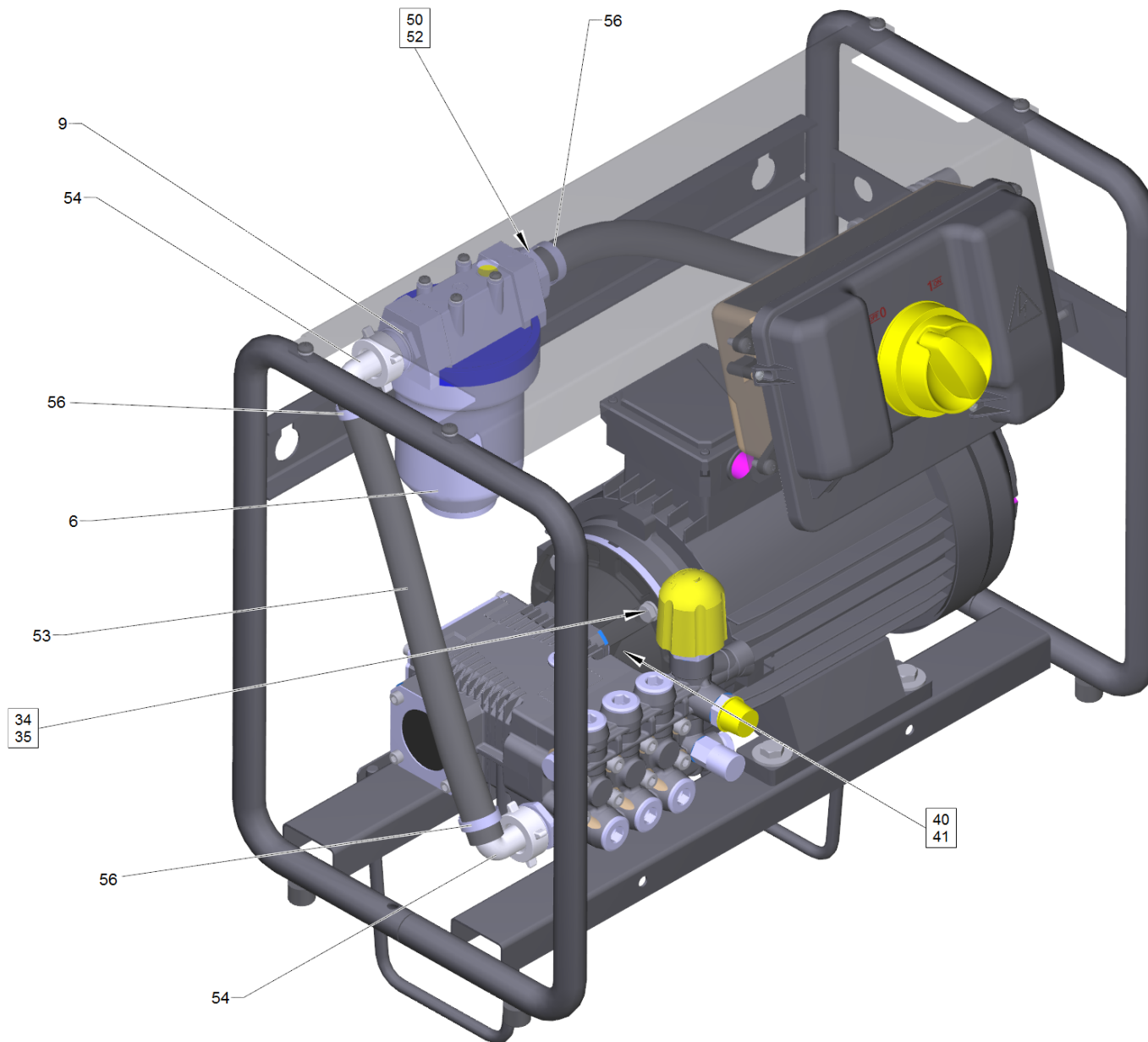


## Short spare parts list

---

<b>POS</b>	<b>Article no.</b>	<b>Description</b>	<b>Quantity</b>	<b>Unit</b>
1	9.751-139.0	Pistol for replacement	1.000	SET
2	9.751-089.0	Jet pipe for replacement 600mm	1.000	ST
3	2.883-399.0	Power nozzle 25050	1.000	ST
4	5.401-210.0	Screw connector part	1.000	ST
5	9.751-087.0	HD hose DN8 10m	1.000	ST
6	9.751-088.0	HD hose DN8 20m	1.000	ST
7	2.880-990.0	Spare part set O-Ring 5x -Kaecher	2.000	ST
8	6.997-343.0	Prefilter small	1.000	ST
9	6.401-412.0	Rotating coupler	1.000	ST





## Spare parts list HD 9/18-4 Cage (9.761-390.0)

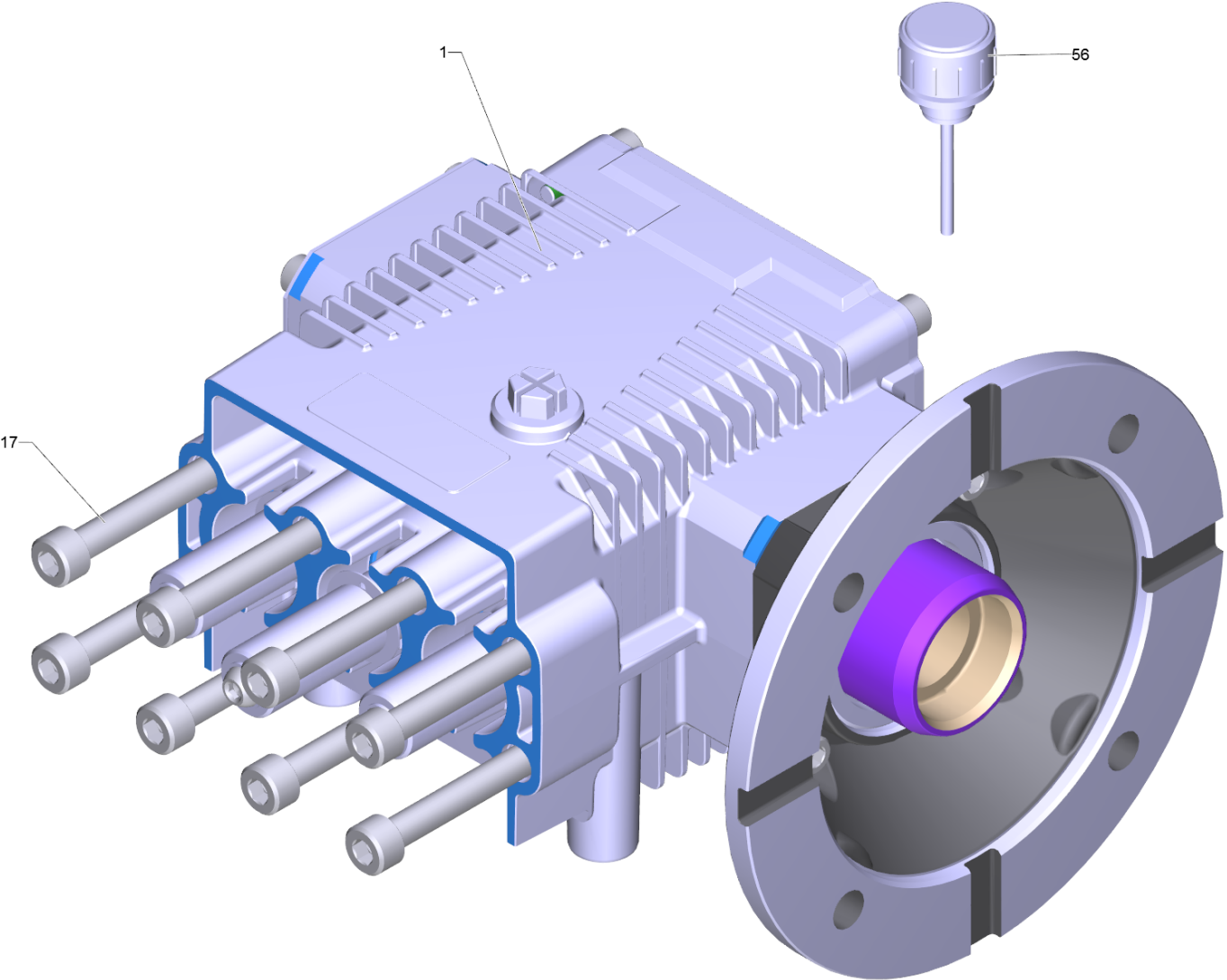
POS	Article no.	Description	Quantity	Unit	Foot note text
1	9.751-092.0	Frame ST	1.000	ST	
2	9.751-083.0	Motor only for replacement 4,1kW	1.000	ST	
3	9.751-078.0	Pump set only for replacement HD 9/20	1.000	ST	
4		Cylinder head safety valve complete 25MP	1.000	ST	
5		Electric control box	1.000	ST	
6		Filter complete 250µm	1.000	ST	
7	9.761-343.0	Plate crosshead	1.000	ST	
8	7.306-047.0	Cylinder head screw M8x60 -8.8-A2E ISO4	8.000	ST	
9		Double nipple G1"	1.000	ST	
10	9.751-094.0	Hook hose complete	1.000	ST	
11	9.761-041.0	Rubber buffer 6.339-007.0	4.000	ST	
12	9.761-038.0	Self-tapping screw M6x30	4.000	ST	
13	7.304-419.0	Hexagonal head screw M10x35-8.8-A3E ISO	4.000	ST	
14	7.311-511.0	Hexagon nut M10-8-A2E ISO 7040	4.000	ST	
15	7.312-285.0	Washer 10 -200HV-A2E ISO7093-1	7.000	ST	
16	6.600-286.0	Contact disk M10	1.000	ST	
30	9.760-720.0	Screw 5x20	4.000	ST	
31	7.312-002.0	Washer 5-200HV-A3E ISO 7090	4.000	ST	
32	7.312-003.0	Washer 6 -200HV-A3E ISO 7090	5.000	ST	
33	7.303-047.0	Screw M6x16 -St-R3R (In6Rd)	9.000	ST	
34	7.312-004.0	Washer 8 -200HV-A3E ISO 7090	8.000	ST	
35	7.304-397.0	Hexagonal head screw M8x20-8.8-A2E ISO	6.000	ST	
36	7.311-004.0	Hexagon nut M8 -8-A3E ISO 4032	2.000	ST	
40	7.318-039.0	Parallel key 8x7x36-C45R DIN 6885	1.000	ST	
41	9.761-058.0	O-Ring seal 23,16x5,33	1.000	ST	
45	9.761-515.0	Cable with plug *CN	1.000	ST	
50	9.761-372.0	Double nipple 5.409-551.0	2.000	ST	
51	9.761-373.0	Counter nut G1"	1.000	ST	
52	6.362-722.0	O-Ring seal 28,0 X 3,0	1.000	ST	
53	6.388-976.0	Hose	0.750	M	TO ORDER AS CUT GOODS
54	6.391-867.0	Elbow screw connector R1"	2.000	ST	
56	9.761-375.0	Hose clip 28.4-31.6	4.000	ST	
65	9.761-012.0	Label 90 dB	1.000	ST	



Spare parts list HD 9/18-4 Cage (9.761-390.0)

---

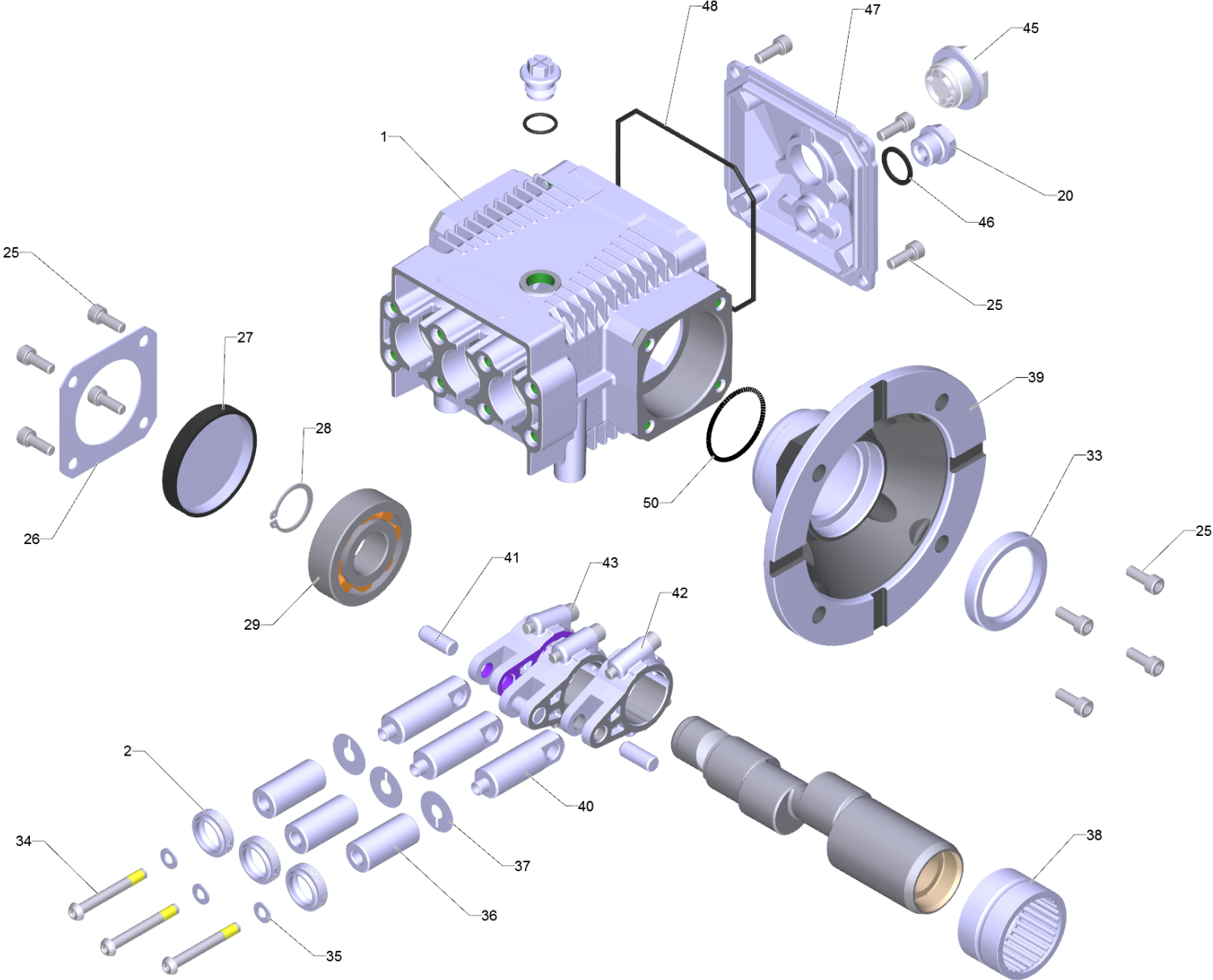
<b>POS</b>	<b>Article no.</b>	<b>Description</b>	<b>Quantity</b>	<b>Unit</b>	<b>Foot note text</b>
67	5.387-620.0	Warning sticker-Prevent from freezing	1.000	ST	
73	9.761-302.0	Label warning sign hot do not touch	1.000	ST	
900		Accessories	1.000	ST	
9000		Spare parts list add-on kit hook	1.000	ST	



3 Pump set only for replacement HD 9/20 (9.751-078.0)

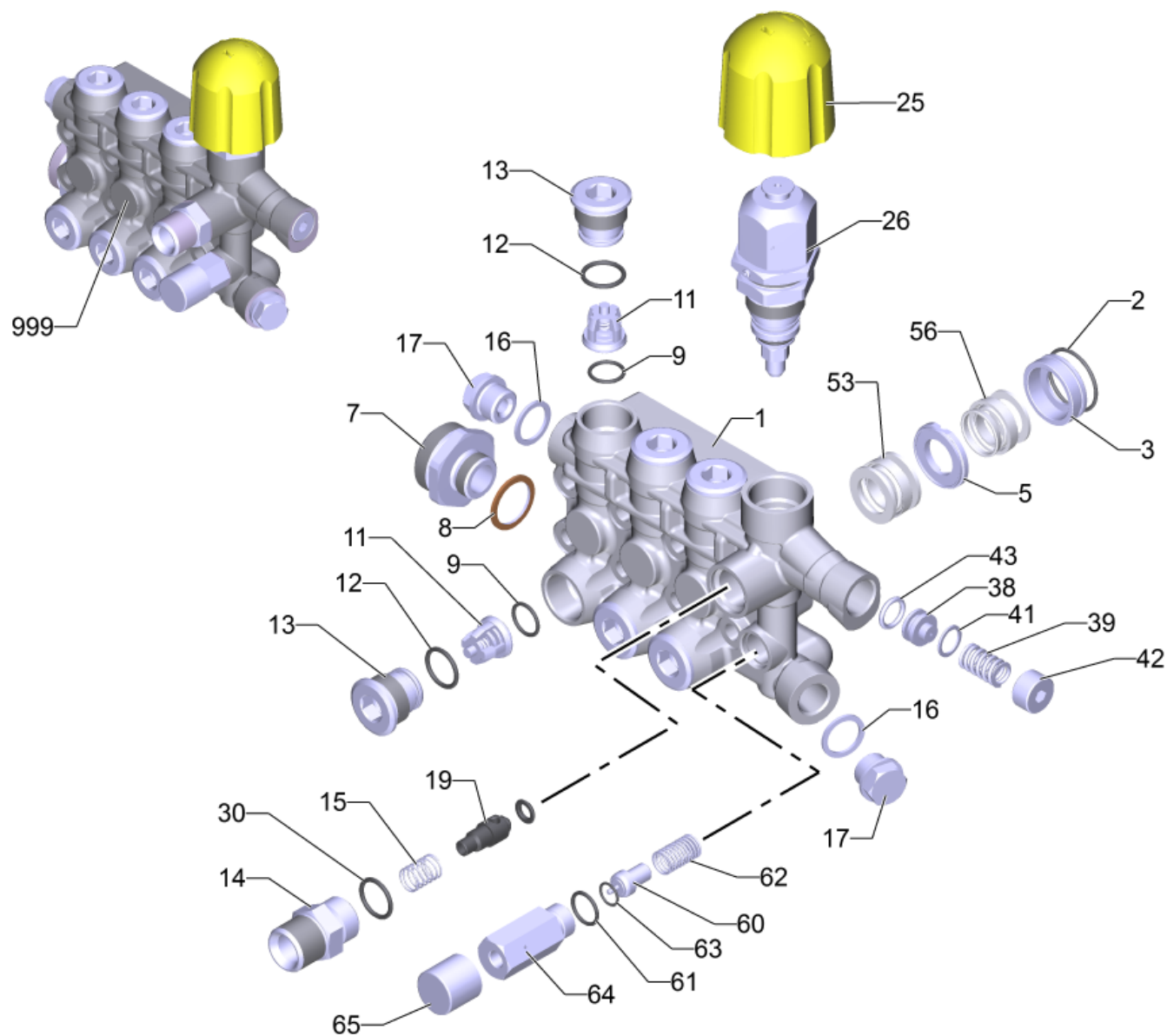
---

<b>POS</b>	<b>Article no.</b>	<b>Description</b>	<b>Quantity</b>	<b>Unit</b>
1		Pump set HD 9/20	1.000	ST
17	7.306-047.0	Cylinder head screw M8x60 -8.8-A2E ISO4	8.000	ST
56	9.761-022.0	Oil level gauge G 3/8"	1.000	ST



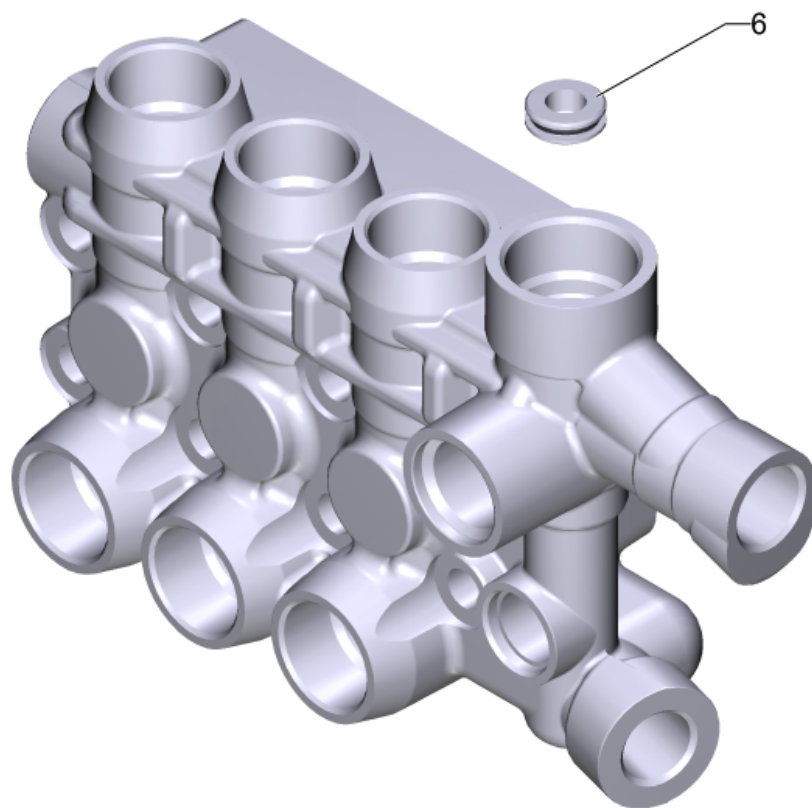
## 1 Pump set HD 9/20

POS	Article no.	Description	Quantity	Unit
1	9.761-278.0	Housing worked	1.000	ST
2	6.365-334.0	Grooved ring 18X26X6/8	3.000	ST
20	9.761-057.0	Drain plug G 3/8"	1.000	ST
25	7.306-272.0	Cylinder head screw M6x16-12.9-A2E ISO	12.000	ST
26	9.761-073.0	Plate covering cap	1.000	ST
27	9.761-118.0	Covering cap bearing	1.000	ST
28	7.343-008.0	Locking ring 25x1,2-St-vz DIN 471	1.000	ST
29	7.401-353.0	Roller bearing NUP 305-Waelz.St. DIN 541	1.000	ST
33	9.761-137.0	Joint ring W 42x55x8	1.000	ST
34	9.761-174.0	Pan head screw with Scotchgrip	3.000	ST
35	9.761-177.0	Joint ring	3.000	ST
36	9.761-071.0	Sleeve D 18	3.000	ST
37	9.761-078.0	Washer D 9.3 x 24	3.000	ST
38	9.761-138.0	Needle bearing	1.000	ST
39	9.761-140.0	Flange worked	1.000	ST
40	9.761-279.0	Connecting rod	3.000	ST
41	9.761-077.0	Pin	3.000	ST
42	9.751-008.0	Piston rod complete	3.000	ST
43	9.761-207.0	Lock washer	6.000	ST
45	9.761-093.0	Oil inspection glass G3/4"	1.000	ST
46	9.761-007.0	Joint ring G 3/8"	1.000	ST
47	9.761-120.0	Cover worked	1.000	ST
48	9.761-081.0	O-Ring seal D 2.62x107	1.000	ST
50	9.761-180.0	O-Ring seal D 55.56x3.55	1.000	ST
55	6.288-050.0	Engine oil 1L	1.000	ST



#### 4 Cylinder head safety valve complete 25MP

POS	Article no.	Description	Quantity	Unit
1	9.751-110.0	Cylinder head	1.000	ST
2	9.761-107.0	O-Ring seal 28.30 x 1.78	3.000	ST
3	9.761-075.0	Seat D 18x26	3.000	ST
5	9.761-056.0	Washer D 18 x 28	3.000	ST
7	9.761-374.0	Reducing nipple G1"-G1/2"	1.000	ST
8	9.761-105.0	Seal G 1/2"	1.000	ST
9	9.761-104.0	O-Ring seal D 15.54x2.62	6.000	ST
11	9.751-004.0	Valve complete	6.000	ST
12	9.760-107.0	O-Ring seal 16 x 2 - NBR 80 (9.081-406)	6.000	ST
13	9.761-319.0	Valve screw inside hexagon M24x1.5	6.000	ST
14	9.761-052.0	Screw plug	1.000	ST
15	9.761-064.0	Pressure spring	1.000	ST
16	9.761-007.0	Joint ring G 3/8"	2.000	ST
17	9.761-057.0	Drain plug G 3/8"	2.000	ST
19	9.751-027.0	Piston complete only for replacement	1.000	ST
25	9.761-237.0	Handle	1.000	ST
26	9.751-084.0	Excess-current complete only for replace	1.000	ST
30	9.761-004.0	O-Ring seal 17.13 x 2.62	1.000	ST
38	9.761-146.0	Valve disc 35-50 MPa	1.000	ST
39	9.761-145.0	Helical spring	1.000	ST
41	7.312-073.0	Washer 8 -CuZn ISO 7092	1.000	ST
42	9.761-147.0	Screw plug	1.000	ST
43	9.761-149.0	O-Ring seal 11.3x2.4 NBR 70	1.000	ST
53	9.761-106.0	HD seal D 18	3.000	ST
56	9.761-108.0	ND seal D 18	3.000	ST
60	6.413-067.0	Therموالve	1.000	ST
61	6.362-533.0	O-Ring seal 14,0 X 1,5-NBR 70	1.000	ST
62	5.332-001.0	Helical spring	1.000	ST
63	9.760-090.0	O-Ring seal 9 x 2 - NBR 90 (6.362-958)	1.000	ST
64	4.587-038.0	Valve housing complete	1.000	ST
65	6.368-344.0	Protecting cap	1.000	ST
999	9.751-080.0	Cylinder head complete	1.000	ST

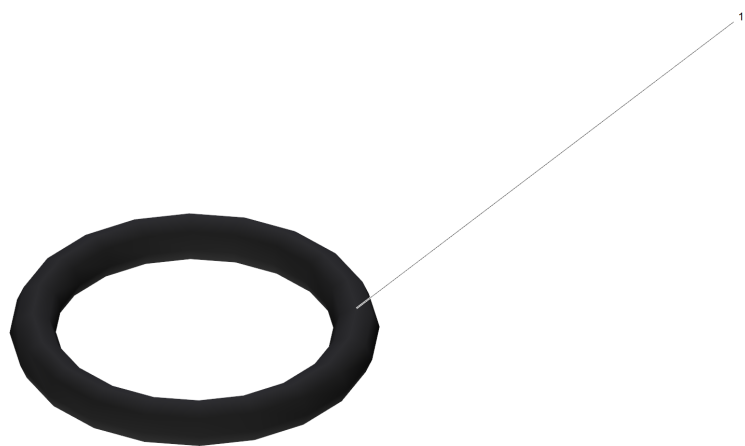
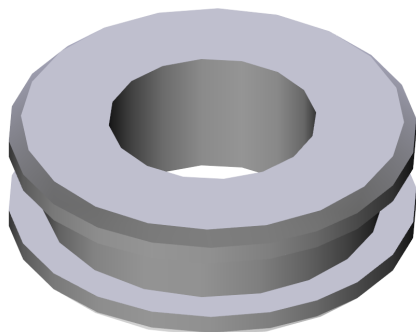


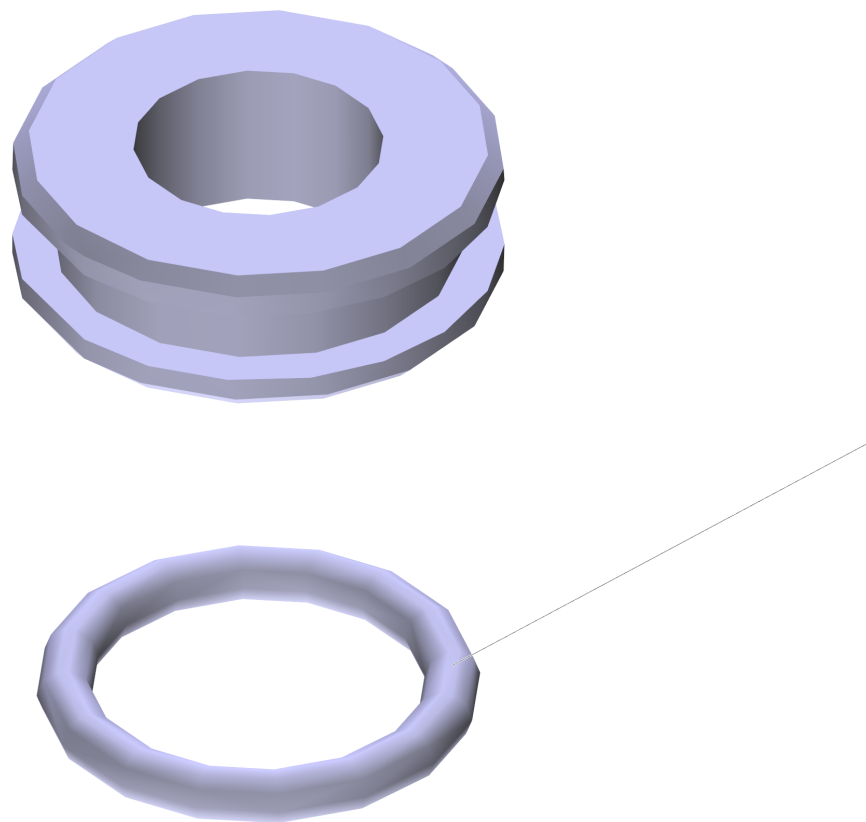


1 Cylinder head (9.751-110.0)

---

<b>POS</b>	<b>Article no.</b>	<b>Description</b>	<b>Quantity</b>	<b>Unit</b>
6	9.751-028.0	Valve seat complete only for replacement	1.000	ST



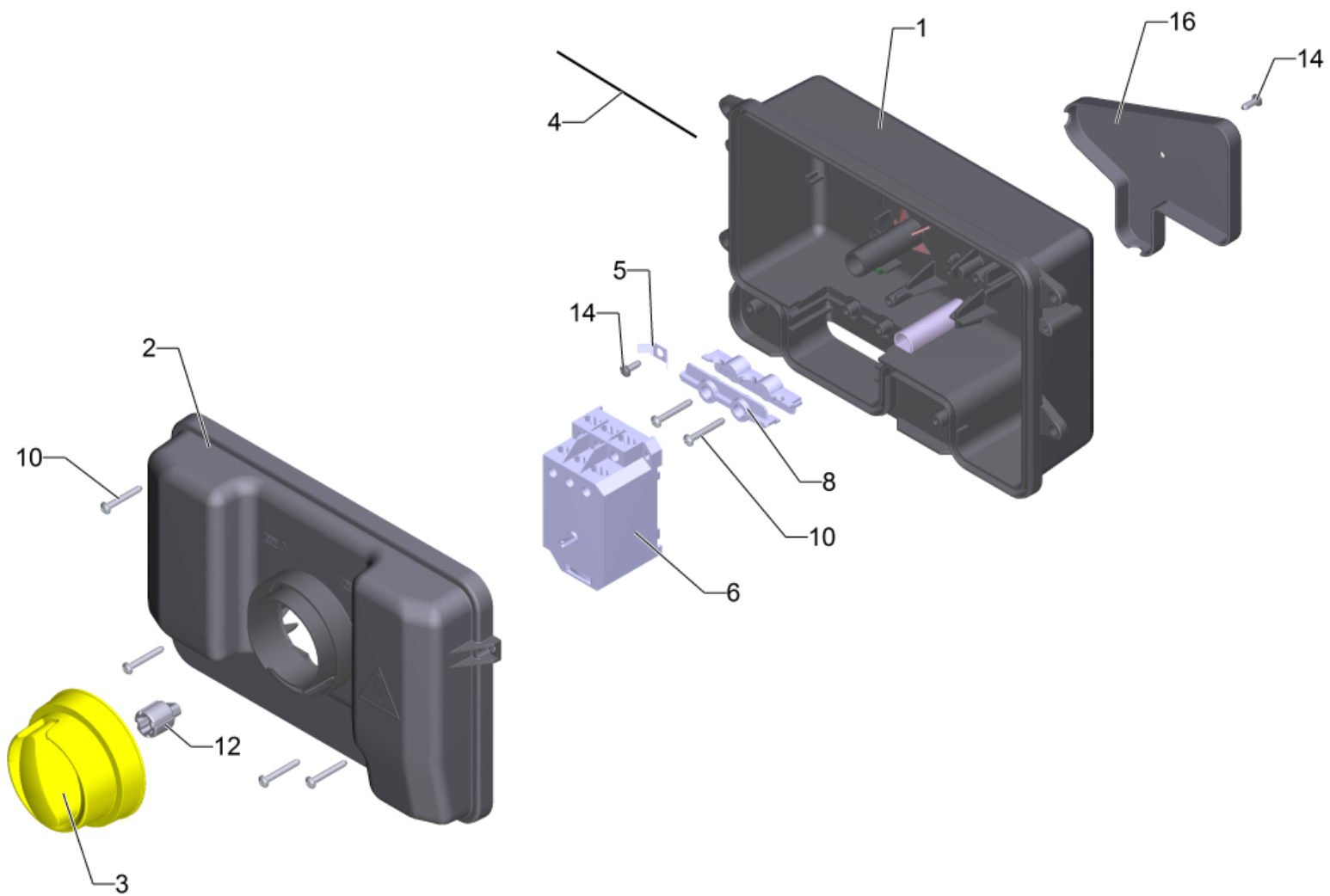


6 Valve seat complete only for replacement (9.751-028.0)

---

<b>POS</b>	<b>Article no.</b>	<b>Description</b>	<b>Quantity</b>	<b>Unit</b>
1	9.761-099.0	O-Ring seal 12.42x1.78	1.000	ST

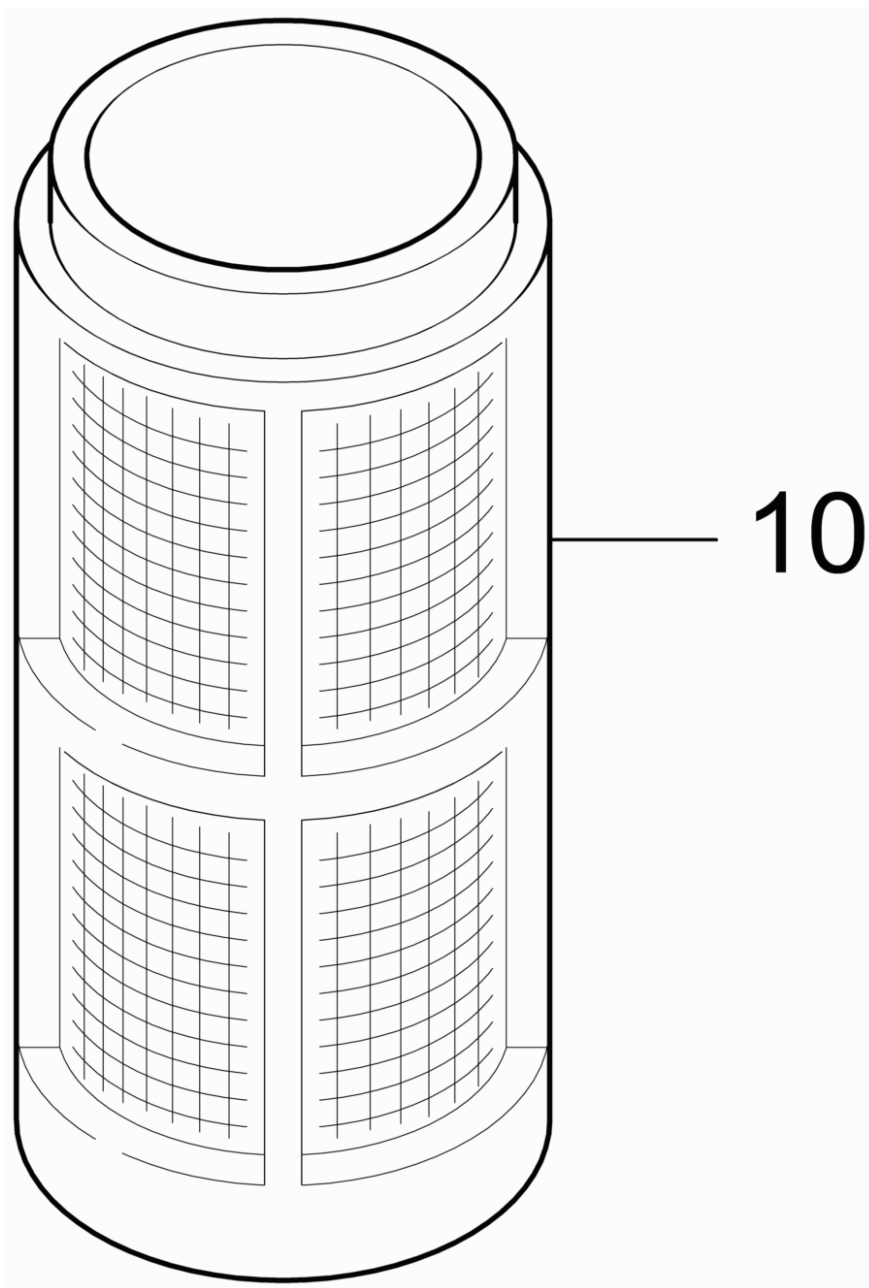
---



## 5 Electric control box

---

<b>POS</b>	<b>Article no.</b>	<b>Description</b>	<b>Quantity</b>	<b>Unit</b>
1	9.761-366.0	Housing electric box II	1.000	ST
2	9.761-364.0	Cover electric box Condor II	1.000	ST
3	9.761-154.0	Handle on/off rocker switch	1.000	ST
4	9.761-242.0	Seal string cellular rubber only for rep	1.000	ST
5	9.761-199.0	Tab 6.641-270.0	1.000	ST
6	6.631-190.0	Motor protecting switch	1.000	ST
8	9.761-518.0	Tensioning part	2.000	ST
10	7.303-084.0	Screw 4x25 -10.9-R2R (K-In6Rd)	6.000	ST
12	9.761-328.0	Adapter handle switch	1.000	ST
14	7.303-106.0	Screw 4x12 -10.9-R2R (IN6RD)	2.000	ST
16	9.761-367.0	Covering cap electric box rear	1.000	ST

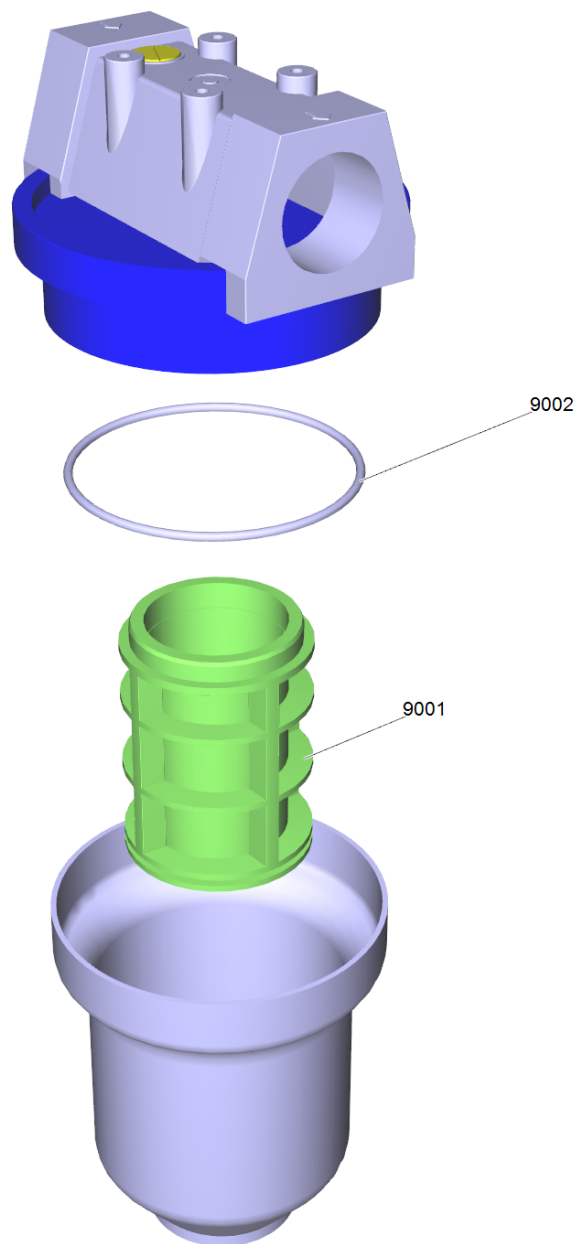


6 Filter complete 250µm

---

<b>POS</b>	<b>Article no.</b>	<b>Description</b>	<b>Quantity</b>	<b>Unit</b>
10	6.997-343.0	Prefilter small	1.000	ST

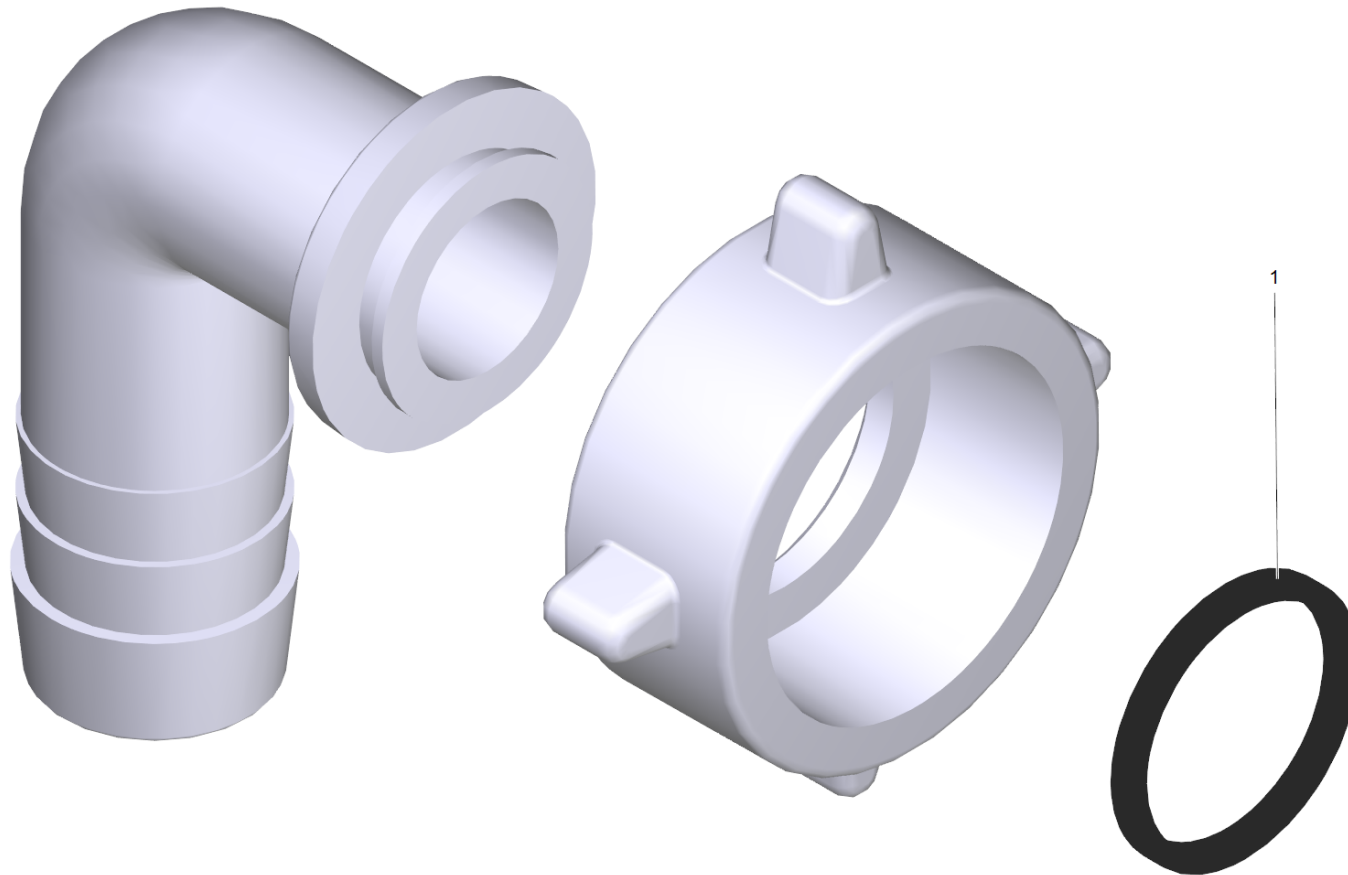




## 10 Prefilter small (6.997-343.0)

---

<b>POS</b>	<b>Article no.</b>	<b>Description</b>	<b>Quantity</b>	<b>Unit</b>
9001	6.645-400.0	Filter cartridge small for replacement	1.000	ST
9002	6.362-102.0	O-Ring seal 90,0 X 3,0	1.000	ST



54 Elbow screw connector R1" (6.391-867.0)

---

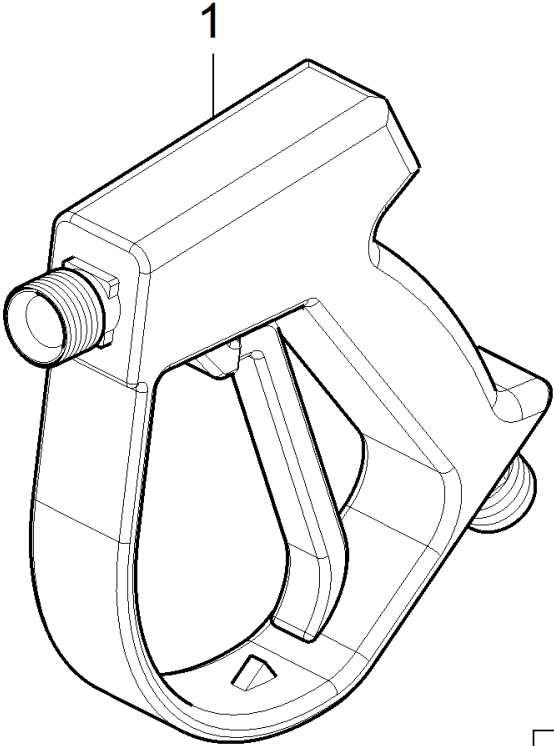
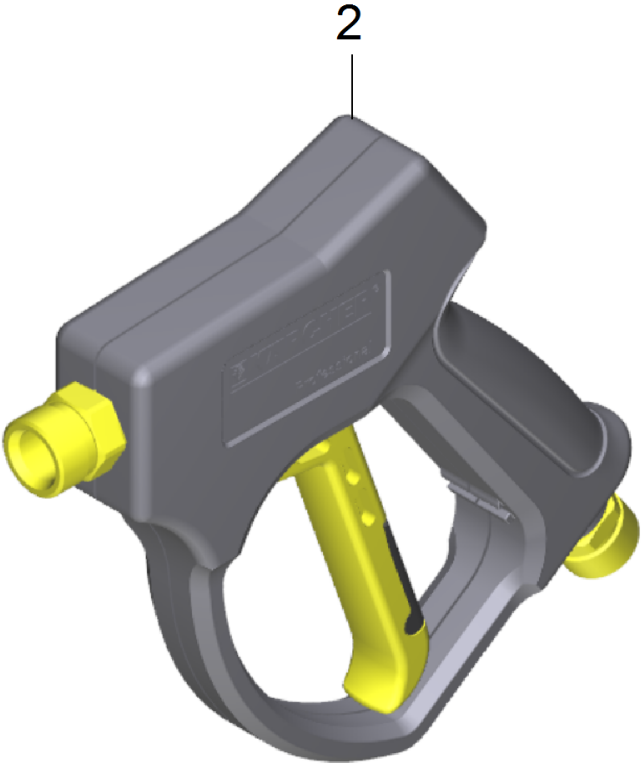
<b>POS</b>	<b>Article no.</b>	<b>Description</b>	<b>Quantity</b>	<b>Unit</b>
1	6.362-358.0	Seal	1.000	ST

---

## 900 Accessories

---

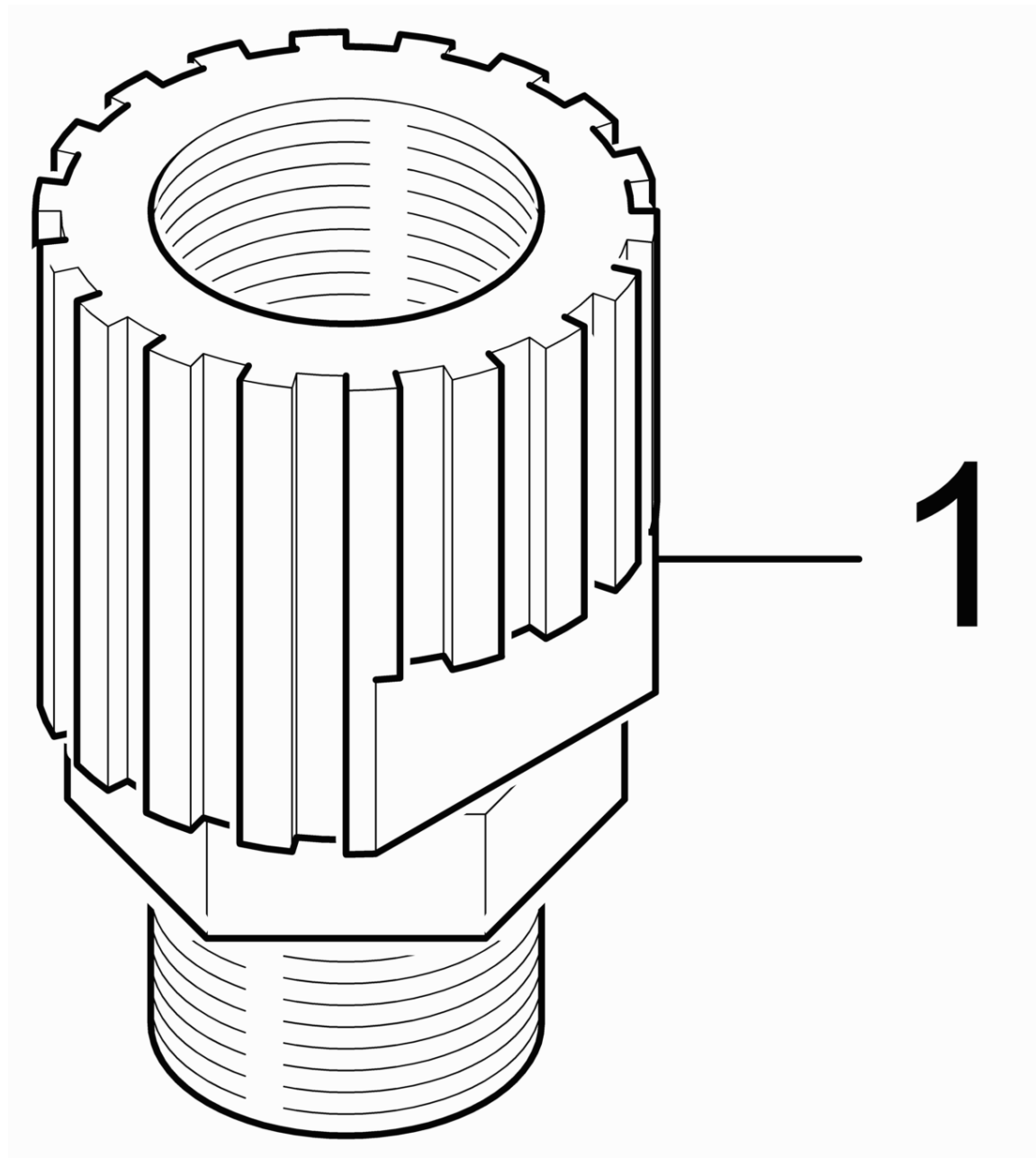
<b>POS</b>	<b>Description</b>	<b>Quantity</b>	<b>Unit</b>
901	Hand trigger gun	1.000	ST
902	Rotating coupler	1.000	ST
903	High pressure hose	1.000	ST
904	Jet pipe	1.000	ST
905	Screw connector part	1.000	ST
906	Power nozzle	1.000	ST



901 Hand trigger gun

---

<b>POS</b>	<b>Article no.</b>	<b>Description</b>	<b>Quantity</b>	<b>Unit</b>	<b>Foot note text</b>
1	7.777-999.0	Stockpiling discontinued	1.000	ST	
2	9.751-139.0	Pistol for replacement	1.000	SET	NEW VERSION
100	7.777-999.0	Stockpiling discontinued	1.000	ST	

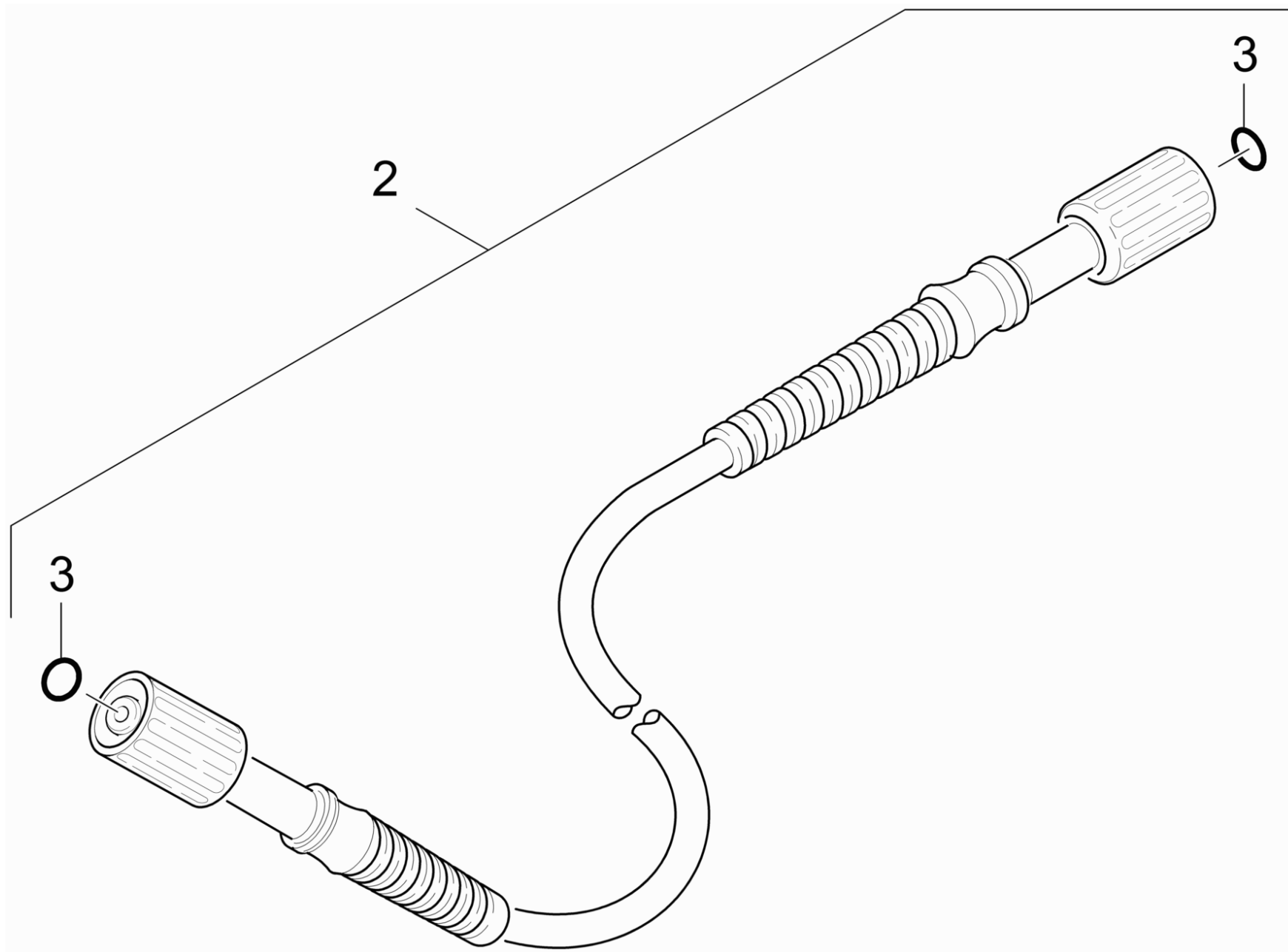




902 Rotating coupler

---

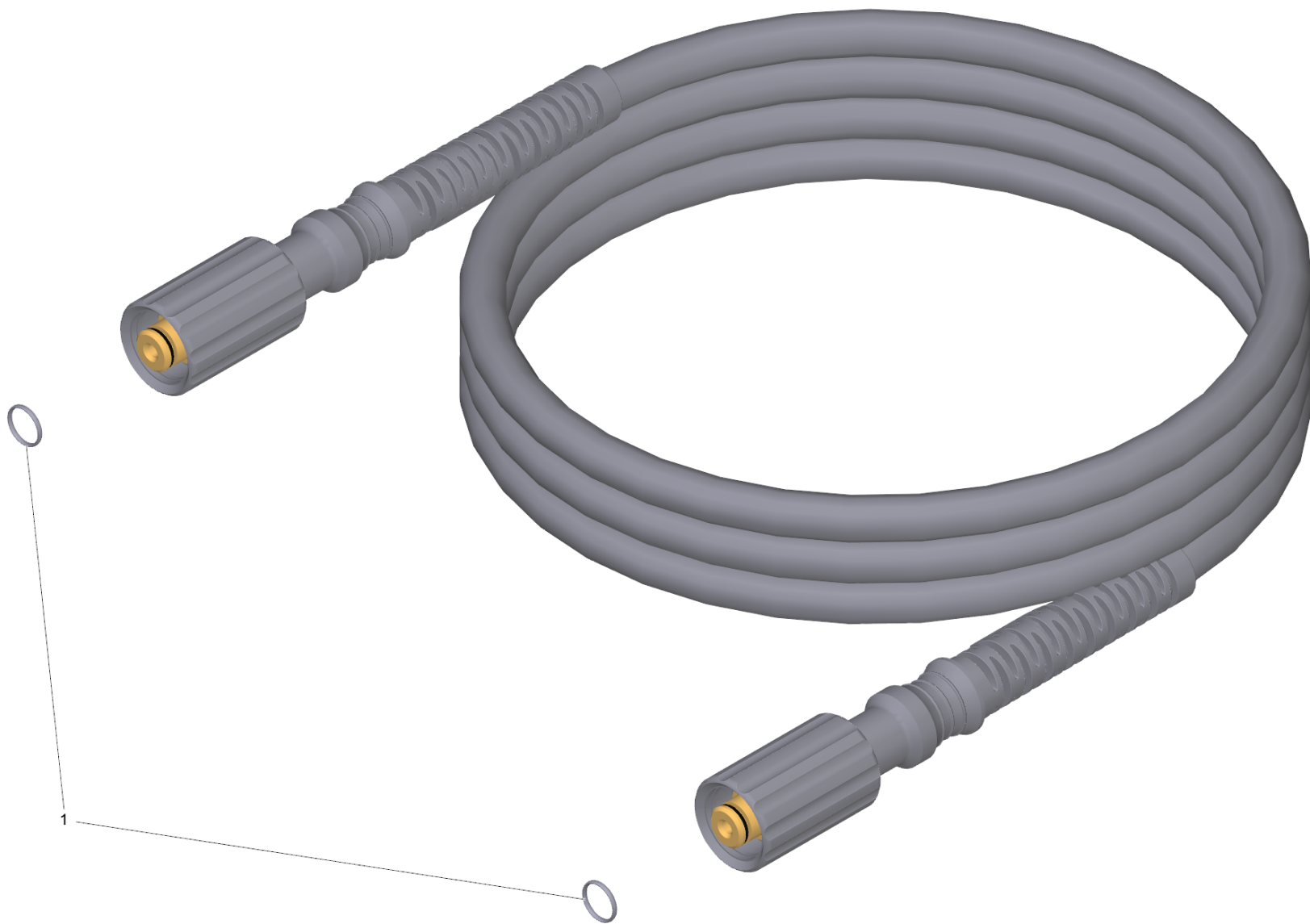
<b>POS</b>	<b>Article no.</b>	<b>Description</b>	<b>Quantity</b>	<b>Unit</b>
1	6.401-412.0	Rotating coupler	1.000	ST



## 903 High pressure hose

---

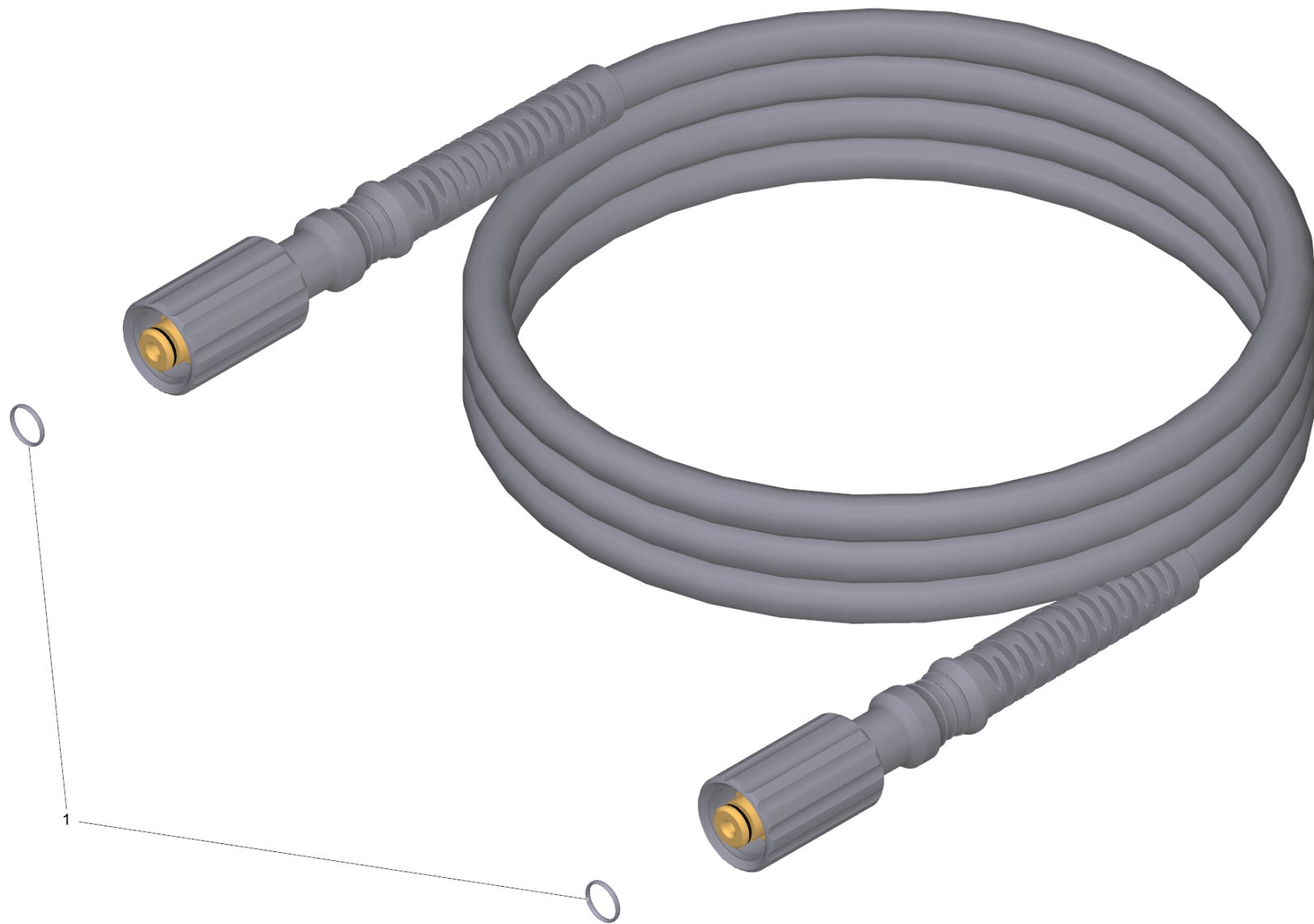
POS	Article no.	Description	Quantity	Unit	Remark
2	9.751-087.0	HD hose DN8 10m	1.000	ST	10 m
2	9.751-088.0	HD hose DN8 20m	1.000	ST	20 m
3	2.880-990.0	Spare part set O-Ring 5x -Kaercher	2.000	ST	



2 HD hose DN8 10m (9.751-087.0)

---

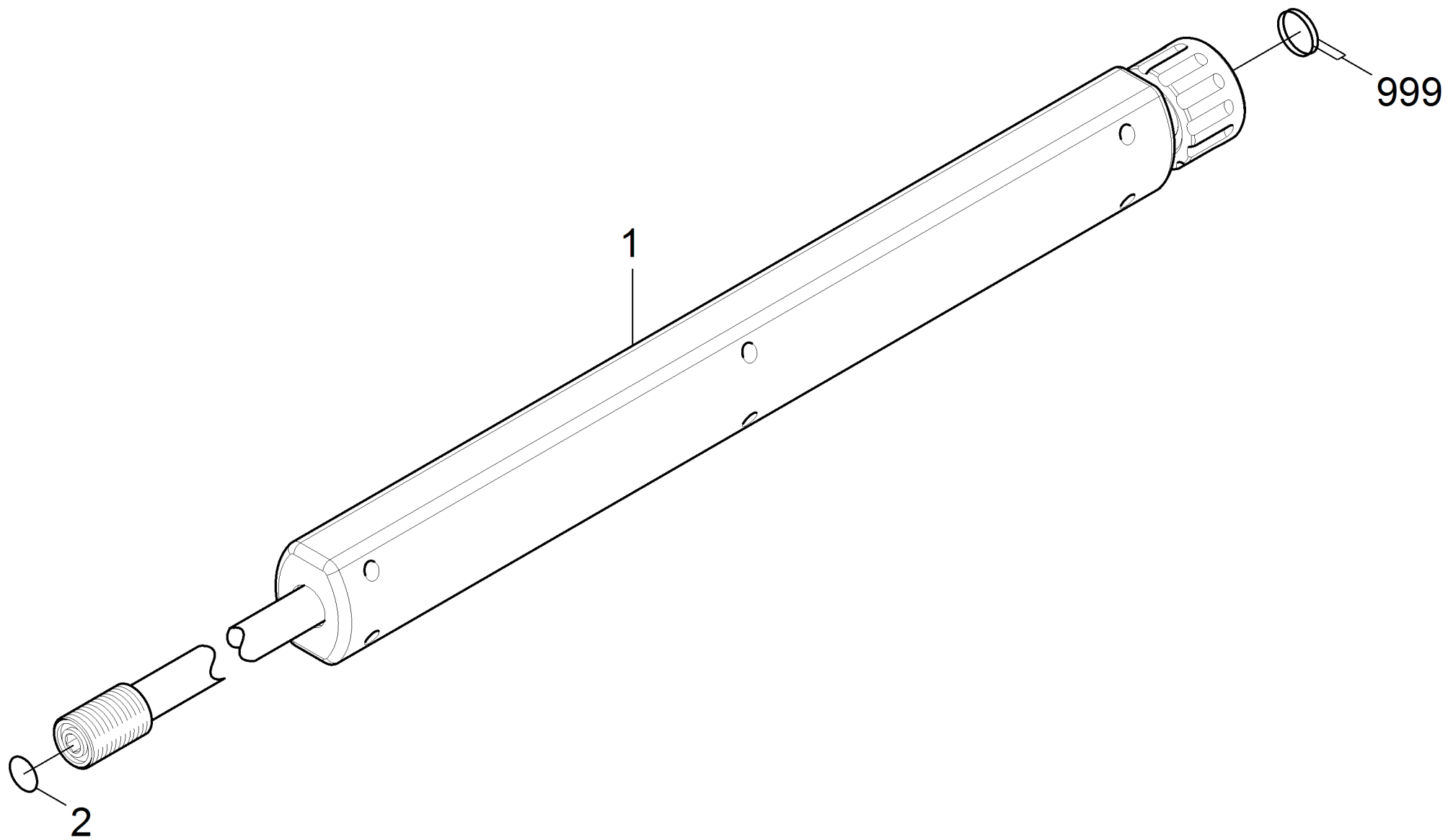
POS	Article no.	Description	Quantity	Unit
1	2.880-990.0	Spare part set O-Ring 5x -Kaercher	2.000	ST



2 HD hose DN8 20m (9.751-088.0)

---

<b>POS</b>	<b>Article no.</b>	<b>Description</b>	<b>Quantity</b>	<b>Unit</b>
1	2.880-990.0	Spare part set O-Ring 5x -Kaercher	2.000	ST

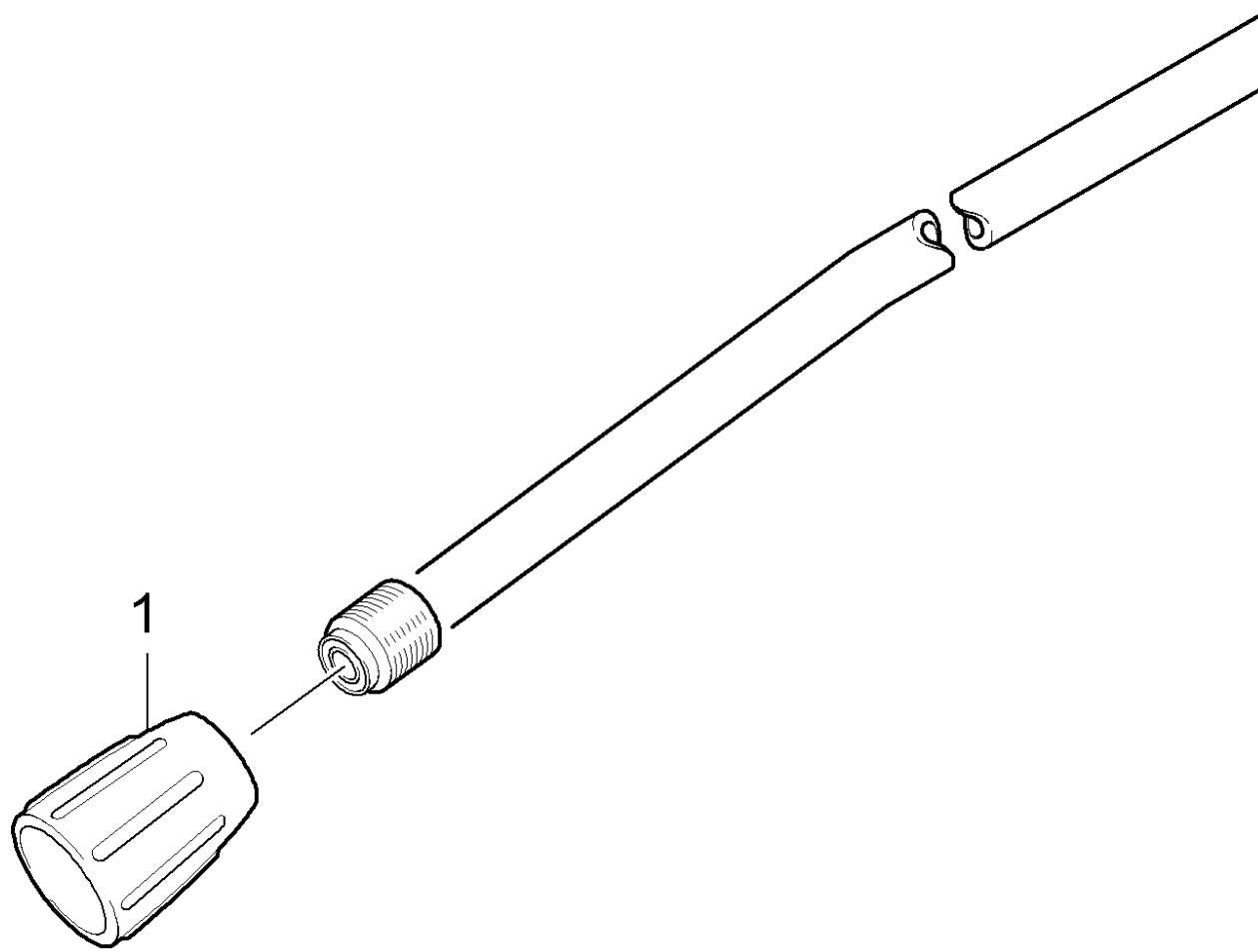




## 904 Jet pipe

---

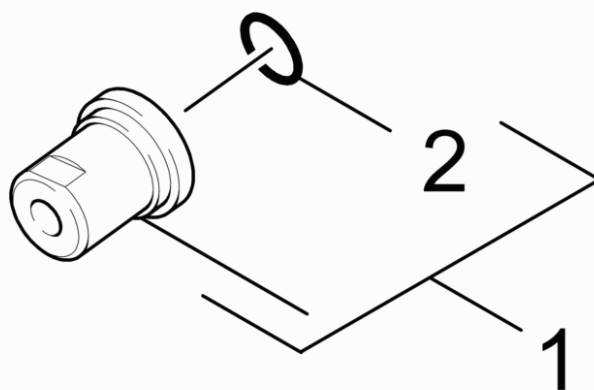
POS	Article no.	Description	Quantity	Unit	Remark
1	9.751-089.0	Jet pipe for replacement 600mm	1.000	ST	
2	2.880-990.0	Spare part set O-Ring 5x -Kaercher	1.000	ST	
999	9.751-031.0	Spare part set jet pipe	1.000	ST	O-Ring cpl.



905 Screw connector part

---

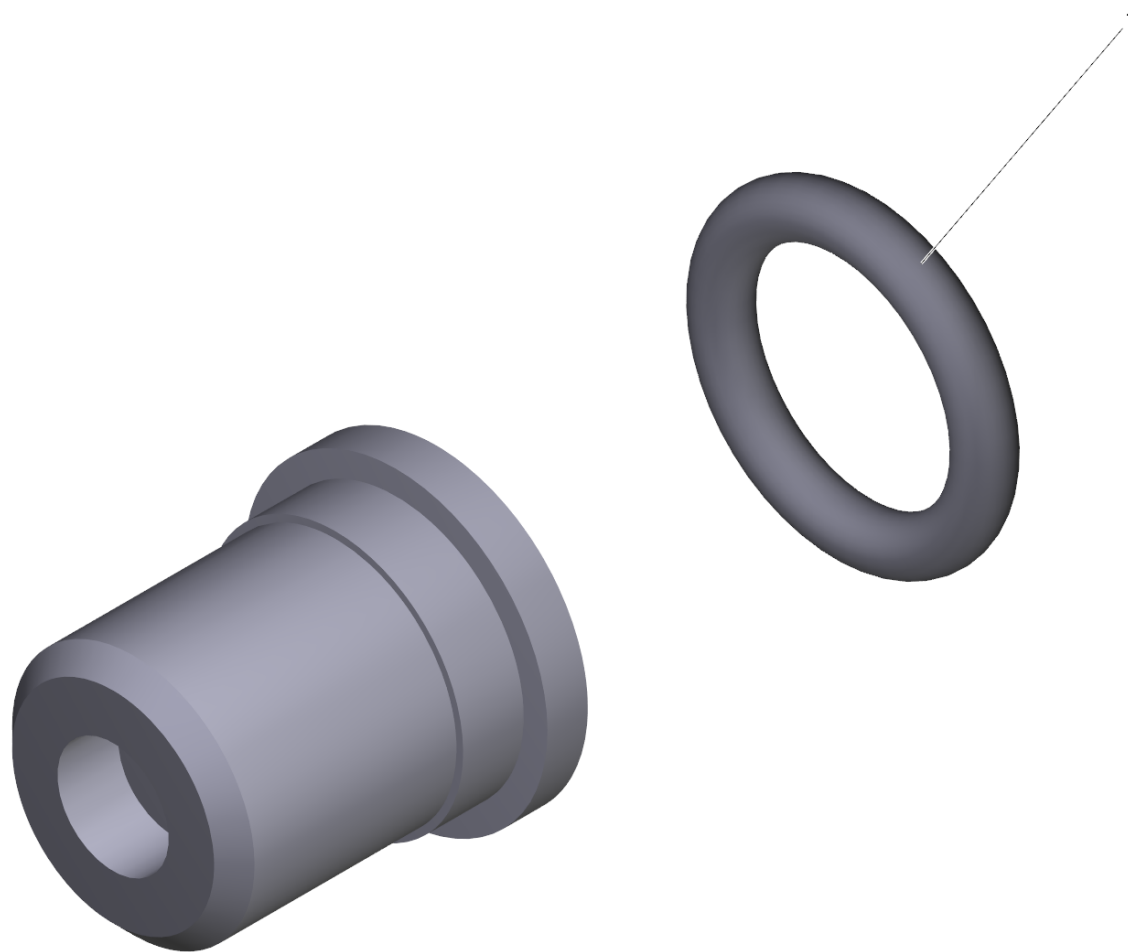
<b>POS</b>	<b>Article no.</b>	<b>Description</b>	<b>Quantity</b>	<b>Unit</b>
1	5.401-210.0	Screw connector part	1.000	ST



906 Power nozzle

---

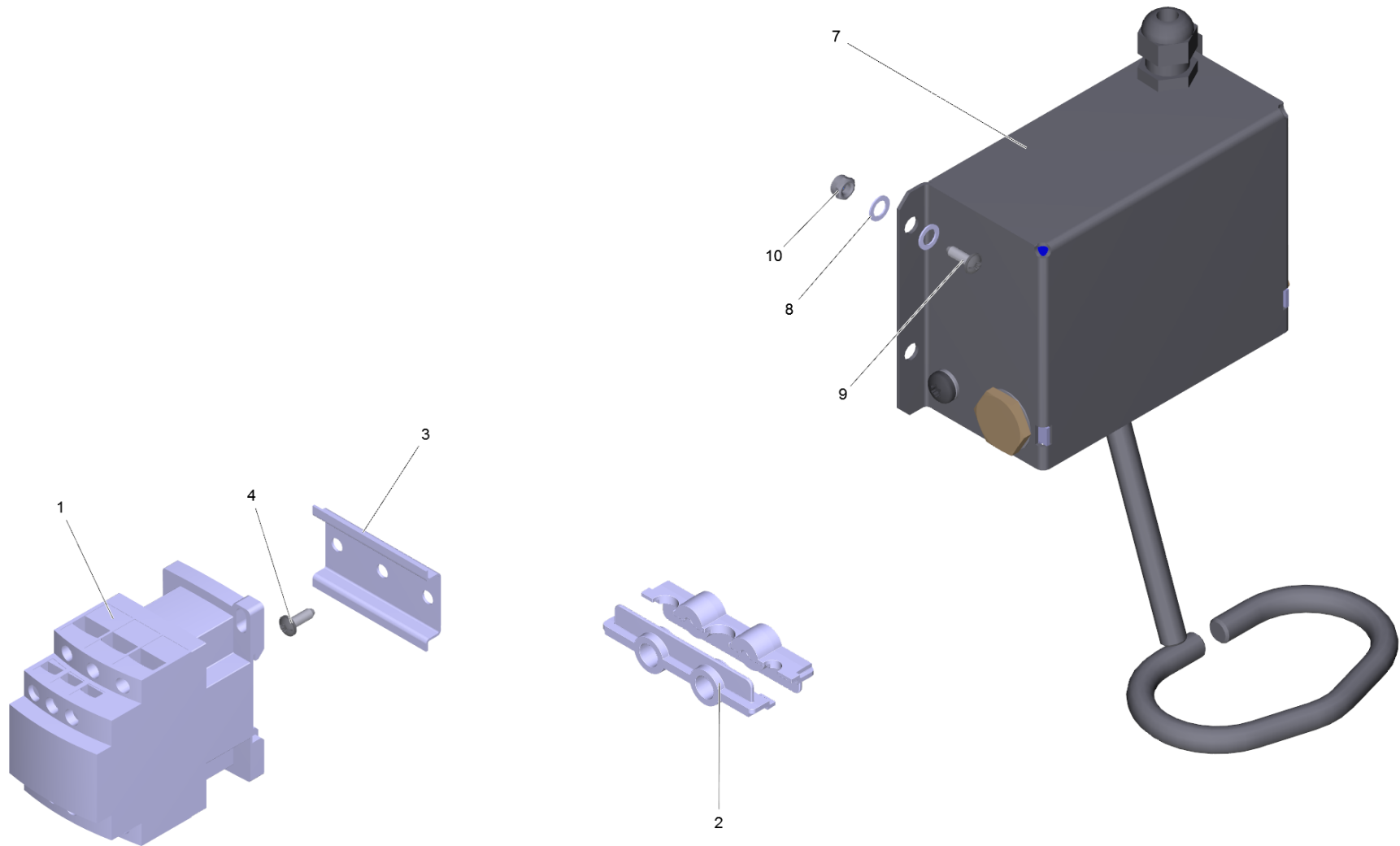
<b>POS</b>	<b>Article no.</b>	<b>Description</b>	<b>Quantity</b>	<b>Unit</b>
1	2.883-399.0	Power nozzle 25050	1.000	ST
2	2.880-990.0	Spare part set O-Ring 5x -Kaercher	1.000	ST



1 Power nozzle 25050 (2.883-399.0)

---

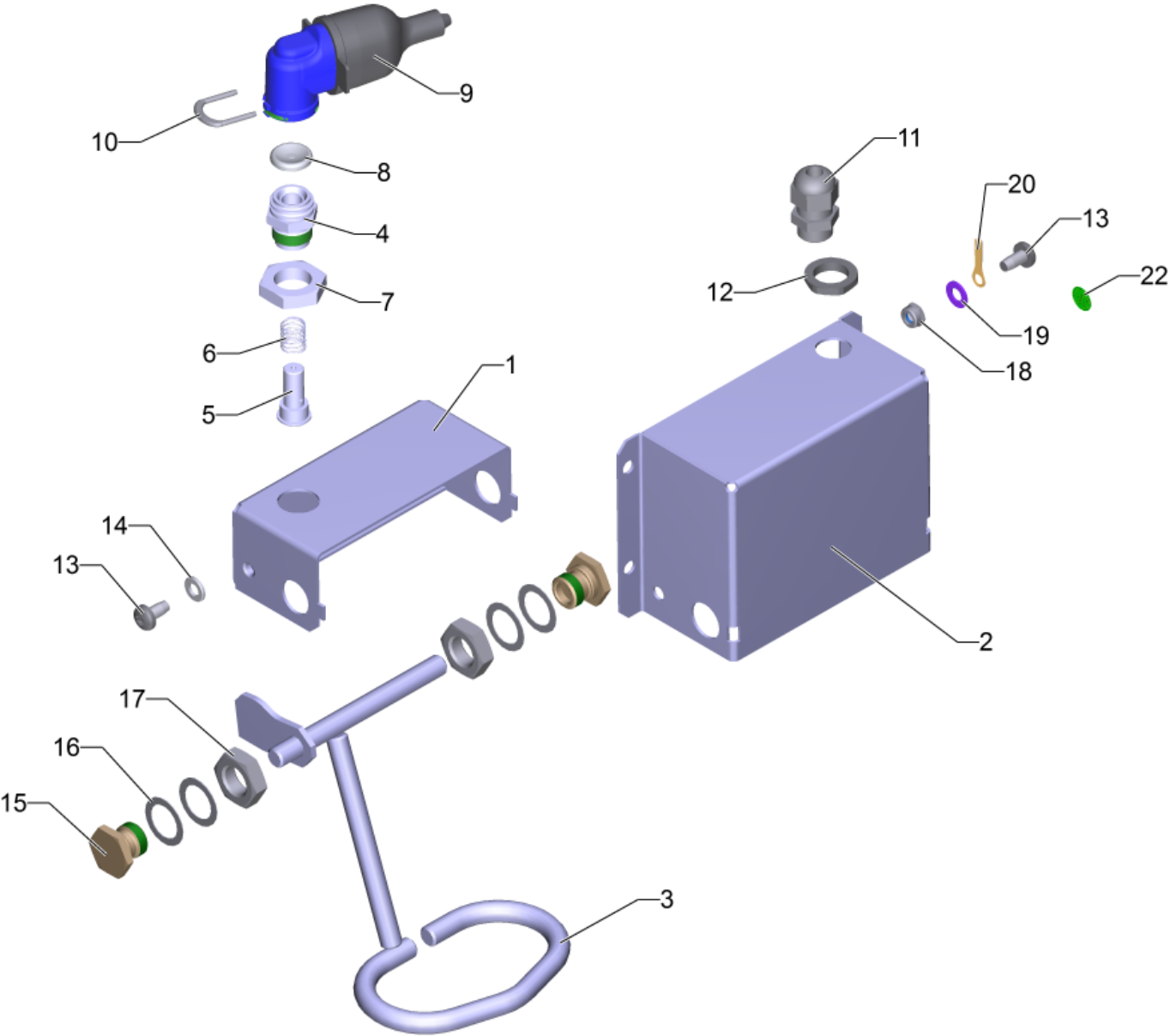
POS	Article no.	Description	Quantity	Unit
1	7.362-501.0	O-Ring seal 10x2 EPDM 70 DIN 3770	1.000	ST





9000 Spare parts list add-on kit hook

POS	Article no.	Description	Quantity	Unit
1	6.632-414.3	Contacteur LC1-D18V75C090	1.000	ST
2	9.761-519.0	Tensioning part 10.0/10.0/7.0	2.000	ST
3	9.761-329.0	Mounting part	1.000	ST
4	7.303-106.0	Screw 4x12 -10.9-R2R (IN6RD)	1.000	ST
7		Switch hook complete	1.000	ST
8	7.312-003.0	Washer 6 -200HV-A3E ISO 7090	8.000	ST
9	7.306-090.0	Screw M6x16 -8.8-R3R (In6Rd)	5.000	ST
10	7.311-425.0	Hexagon nut M6 -04-A2E ISO 10511	4.000	ST



## 7 Switch hook complete

POS	Article no.	Description	Quantity	Unit
1	9.761-380.0	Plate switch base	1.000	ST
2	9.761-381.0	Plate switch housing	1.000	ST
3	9.751-104.0	Hook switch complete	1.000	ST
4	9.761-378.0	Screw switch	1.000	ST
5	9.761-379.0	Piston switch	1.000	ST
6	9.761-383.0	Pressure spring	1.000	ST
7	9.761-386.0	Nut M18x1	1.000	ST
8	9.761-175.0	Diaphragm	1.000	ST
9	9.751-122.0	Switch complete	1.000	ST
10	5.034-494.0	Retaining bracket	1.000	ST
11	6.648-399.0	Cable gland black M16x1,5	1.000	ST
12	6.648-415.0	Locknut black M16	1.000	ST
13	7.303-046.0	Screw M6x12 -St-R3R (In6Rd)	3.000	ST
14	7.312-003.0	Washer 6 -200HV-A3E ISO 7090	2.000	ST
15		Screw plain bearing	2.000	ST
16	7.343-079.0	Shim ring 17x24x0,5 -A2 DIN 988	4.000	ST
17	7.311-225.0	Hexagon nut M16 -A4-035 ISO 4035	2.000	ST
18	7.311-425.0	Hexagon nut M6 -04-A2E ISO 10511	1.000	ST
19	6.600-117.0	Contact disk 6mm	1.000	ST
20	9.761-420.0	Cable earthing 600mm	1.000	ST
22	6.643-145.0	Label earthing	1.000	ST

9 Switch complete (9.751-122.0)

---

POS	Article no.	Description	Quantity	Unit
3	7.314-664.0	Straight grooved pin 3,0x20-KU ISO 8740	1.000	ST