

Spare parts list

(1.367-101.0) HD 16/15 PLUS *EU-I

Table of contents

HD 16/15 PLUS *EU-I (1.367-101.0)	4
28 Spare parts list HD 16/15 (5.958-857.0)	5
10 Individual parts	6
11 Base frame	7
12 Covering cap	9
20 Pump set	11
21 Excess-current	12
11 Valve seat complete (4.481-226.0)	14
22 Cylinder head	16
23 Piston	18
24 Water filter	20
1 Water filter complete (6.415-960.0)	22
30 Motor	24
40 Accessories	26
41 Hand trigger gun	27
100 Spare part set 4.775-041 (2.880-369.0)	29
42 Hand trigger gun	30
1 Hand trigger gun (4.775-466.0)	32
60 Adapter pipelines AVS-M22x1,5 (4.421-739.3)	34
9002 Lever complete (4.481-209.0)	36
4 Lever complete (4.481-209.0)	38
9 Adapter pipelines AVS-M22x1,5 (4.421-739.3)	40
10 Rotary controller 700L (4.775-471.0)	42
43 Jet pipe	44
Jet pipe packaged only for replacement (4.760-660.0)	46
14 Screw connector part (5.401-210.0)	48
44 Jet pipe	49
Jet pipe packaged only for replacement (4.760-660.0)	51
14 Screw connector part (5.401-210.0)	53
45 Jet pipe	54
1 Jet pipe packaged only for replacement (4.760-660.0)	56
14 Screw connector part (5.401-210.0)	58
46 Triple jet nozzle	59
Triple jet nozzle 120 (4.767-069.0)	61
20 Spare parts list triple jet nozzle (5.970-000.0)	62
10 Triple jet nozzle	63
17 Nozzle holder 055 (4.764-159.0)	65
47 Dirt blaster	66

Table of contents

Dirt blaster 120 (4.763-930.0)	68
11 Spare parts list dirt blaster (5.955-641.0)	69
10 Dirt blaster	70
Spare part set rotor 170 (2.881-025.0)	73
Spare part set dirt blaster 04-HD 1050 (2.883-471.0)	75
Spare part set dirt blaster 05 (2.883-472.0)	77
Spare part set dirt blaster 055/06 (2.883-473.0)	79
Spare part set dirt blaster 07/08-HDS 8 (2.883-474.0)	81
Spare part set dirt blaster 120 (2.884-051.0)	83
Spare part set dirt blaster 035 (2.884-052.0)	85
Spare part set dirt blaster 045 (2.884-113.0)	87
Spare part set dirt blaster 09 (2.884-316.0)	89
Spare parts set rotor 100 (2.885-196.0)	91
3 Spare part set dirt blaster 120 (2.884-051.0)	93
50 Electric control box	95

HD 16/15 PLUS *EU-I (1.367-101.0)

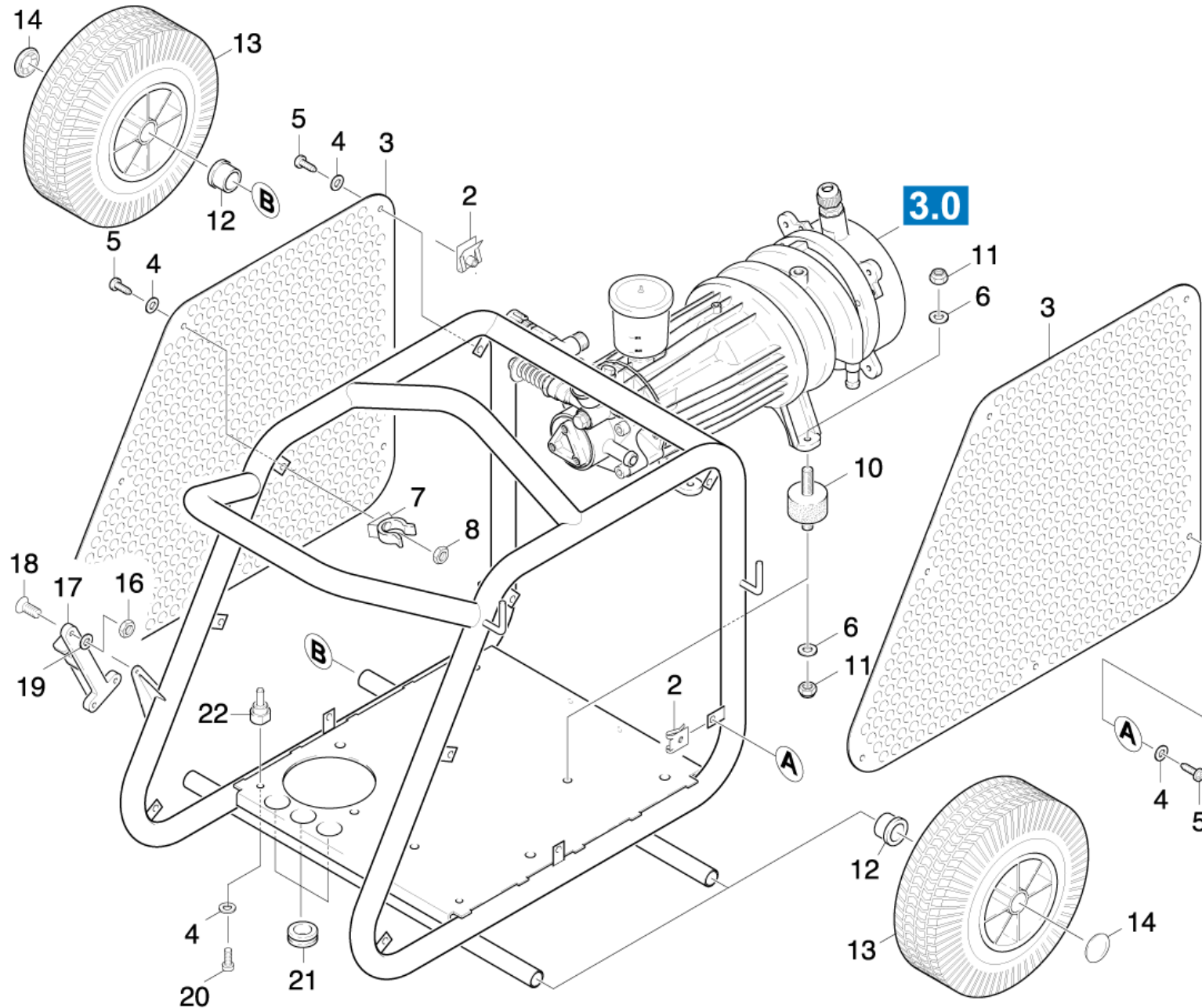
POS	Article no.	Description	Quantity	Unit
28	5.958-857.0	Spare parts list HD 16/15	1.000	ST
Item text2: 13671010				

28 Spare parts list HD 16/15 (5.958-857.0)

POS	Description	Quantity	Unit
10	Individual parts	1.000	ST
20	Pump set	1.000	ST
30	Motor	1.000	ST
40	Accessories	1.000	ST
50	Electric control box	1.000	ST

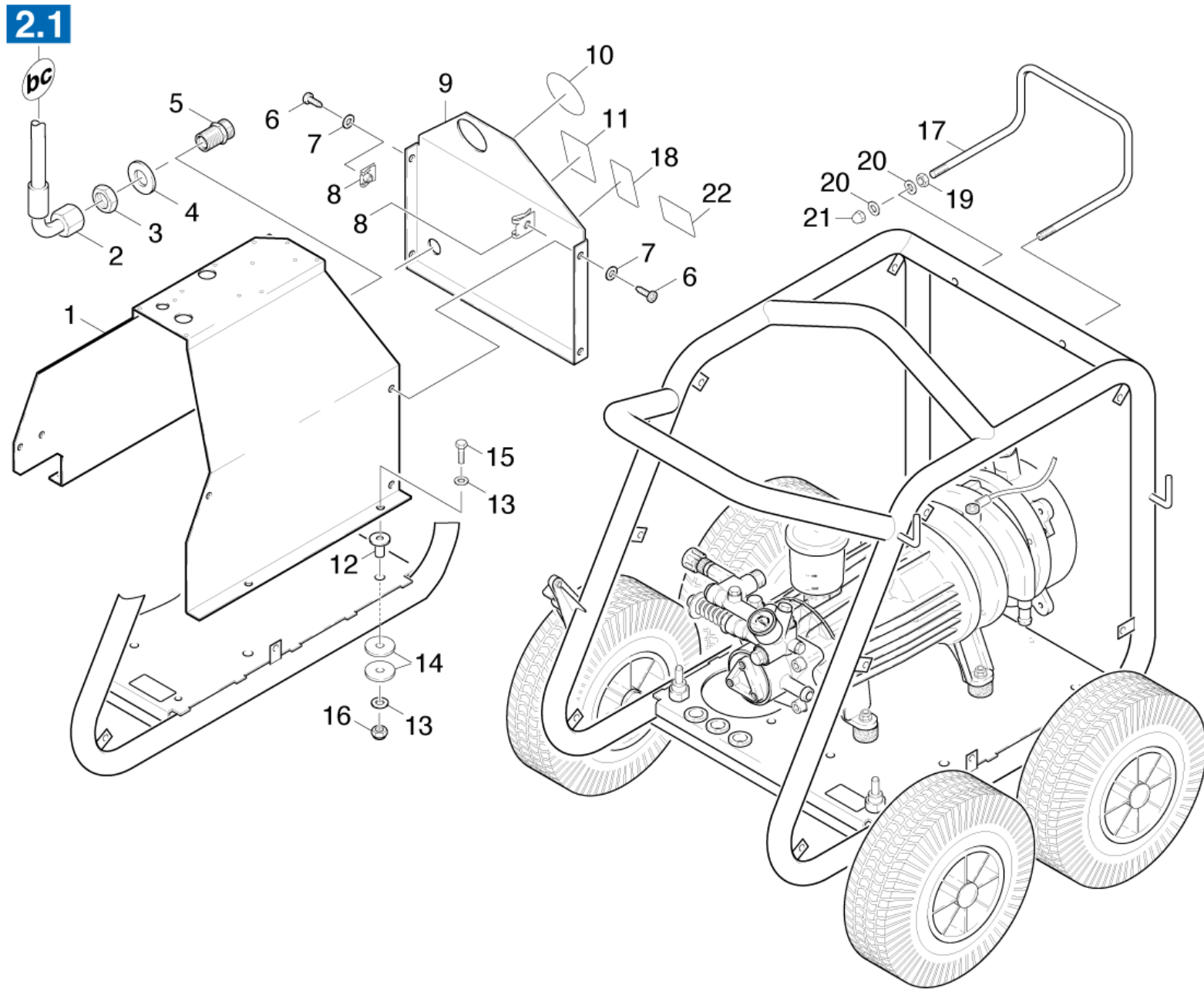
10 Individual parts

POS	Description	Quantity	Unit
11	Base frame	1.000	ST
12	Covering cap	1.000	ST



11 Base frame

POS	Article no.	Description	Quantity	Unit
2	6.310-082.0	Putting nut M6	11.000	ST
3	6.397-639.0	Side plate	2.000	ST
4	7.312-003.0	Washer 6 -200HV-A3E ISO 7089	14.000	ST
5	7.306-090.0	Screw M6x16 -8.8-R3R (In6Rd)	12.000	ST
6	7.312-004.0	Washer 8 -200HV-A3E ISO 7089	8.000	ST
7	6.373-058.0	Clamp clip	1.000	ST
8	7.311-003.0	Hexagon nut M6 -8-A2E ISO 4032	1.000	ST
10	6.339-206.0	Rubber buffer	4.000	ST
11	7.311-510.0	Hexagon nut M 8-8-A2E ISO 7040	8.000	ST
12	5.110-378.0	Sleeve	4.000	ST
13	6.435-008.0	Wheel	4.000	ST
14	6.343-137.0	Quick-fastener	4.000	ST
16	7.311-029.0	Hexagon nut M 5-A4-70 ISO 7042	3.000	ST
17	6.467-031.0	Parking brake	1.000	ST
18	7.305-048.0	Countersunk screw M5x12 -A2-70 (In6Rd)	3.000	ST
19	7.312-052.0	Washer 5 -A2 ISO 7089	1.000	ST
20	7.306-197.0	Screw M6x35 -A2-70 (In6Rd)	2.000	ST
21	6.641-401.0	Wire protecting sleeve	3.000	ST
22	5.044-649.0	Holder	2.000	ST

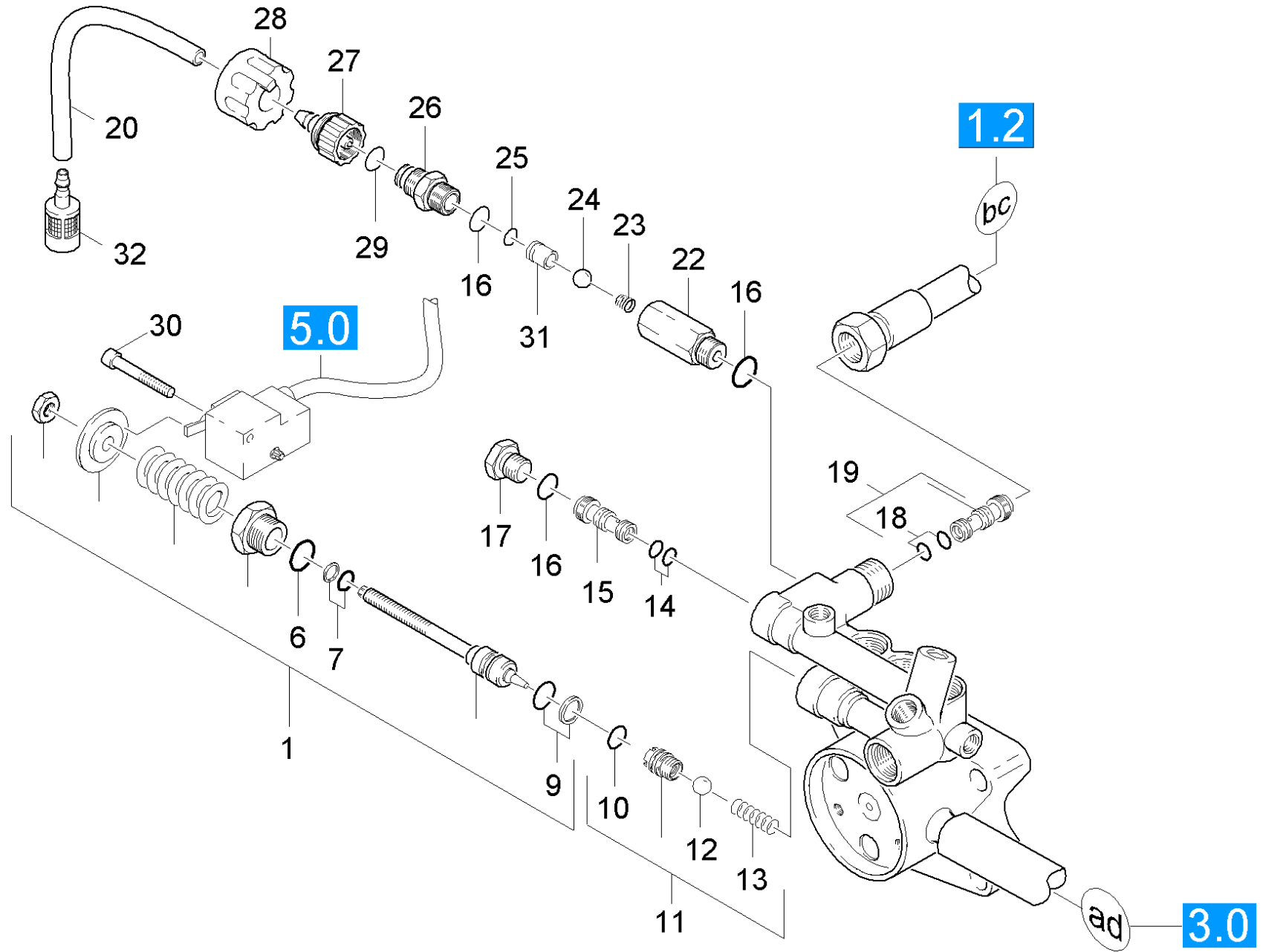


12 Covering cap

POS	Article no.	Description	Quantity	Unit
1	5.041-108.0	PLATE	1.000	ST
2	6.388-877.0	High pressure hose DN10	1.000	ST
3	7.311-155.0	Hexagon nut M22x1,5 -Cu2 DIN 936	1.000	ST
4	7.312-024.0	Washer 22-200HV-A3E ISO7090	1.000	ST
5	5.403-011.0	Double connection	1.000	ST
6	7.306-090.0	Screw M6x16 -8.8-R3R (In6Rd)	4.000	ST
7	7.312-003.0	Washer 6 -200HV-A3E ISO 7089	4.000	ST
8	6.310-082.0	Putting nut M6	4.000	ST
9	5.041-110.0	PLATE	1.000	ST
10	5.386-349.0	Label	1.000	ST
11	5.387-620.0	Warning sticker-Prevent from freezing	1.000	ST
12	5.652-062.0	Insulating	4.000	ST
13	7.312-004.0	Washer 8 -200HV-A3E ISO 7089	8.000	ST
14	7.312-087.0	Washer 10-PA6.6 ISO 7093-1	4.000	ST
15	7.306-043.0	Cylinder head screw M8x30 -8.8-A2E ISO	4.000	ST
16	7.311-510.0	Hexagon nut M 8-8-A2E ISO 7040	4.000	ST
17	5.044-651.0	Holder	1.000	ST
18	5.384-747.0	Label 92dB	1.000	ST
19	7.311-006.0	Hexagon nut M10 -8-A3E ISO 4032	2.000	ST
20	7.312-005.0	Washer 10-200HV-A3E ISO 7089	4.000	ST
21	7.311-382.0	Cap nut M10-6-A3E DIN 1587	2.000	ST
22	7.777-999.0	Stockpiling discontinued	1.000	ST

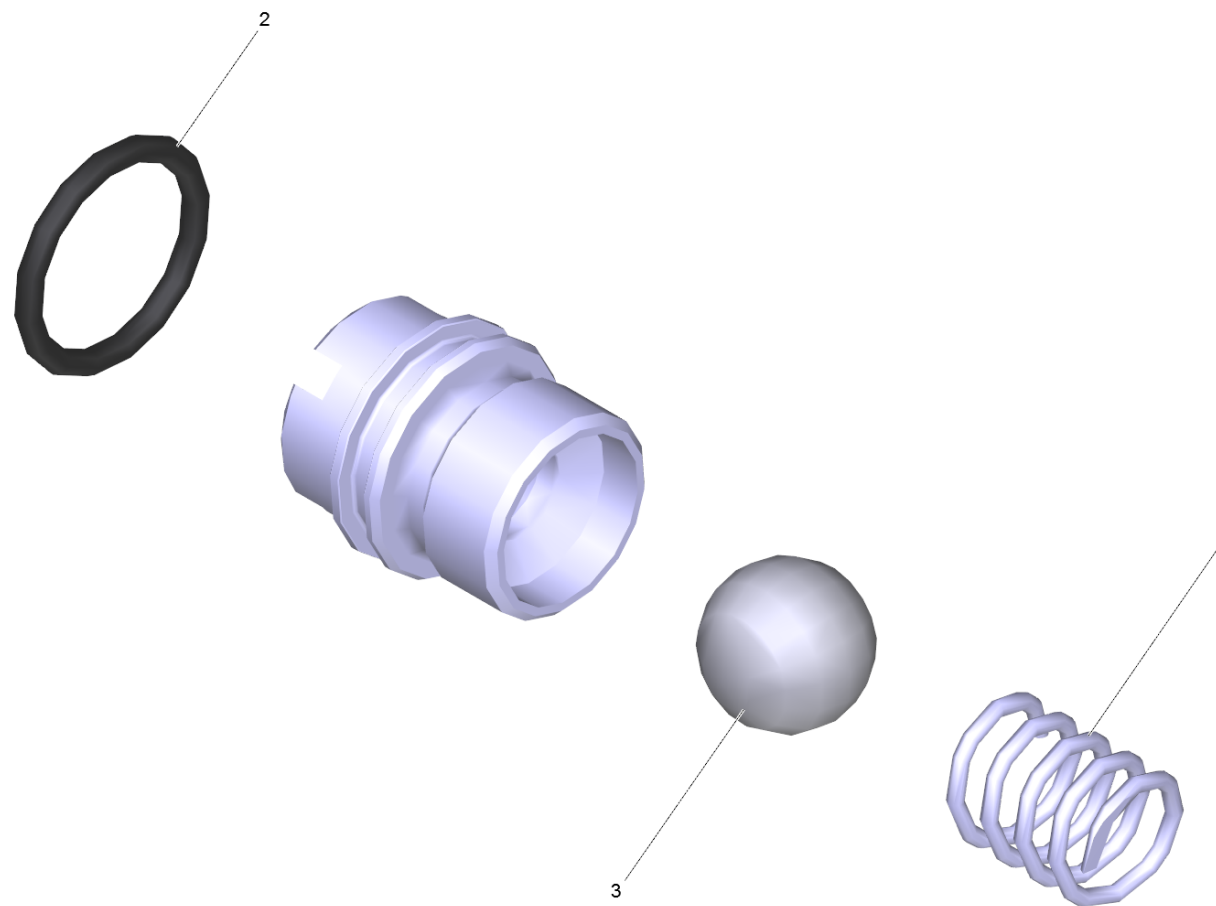
20 Pump set

POS	Description	Quantity	Unit
21	Excess-current	1.000	ST
22	Cylinder head	1.000	ST
23	Piston	1.000	ST
24	Water filter	1.000	ST



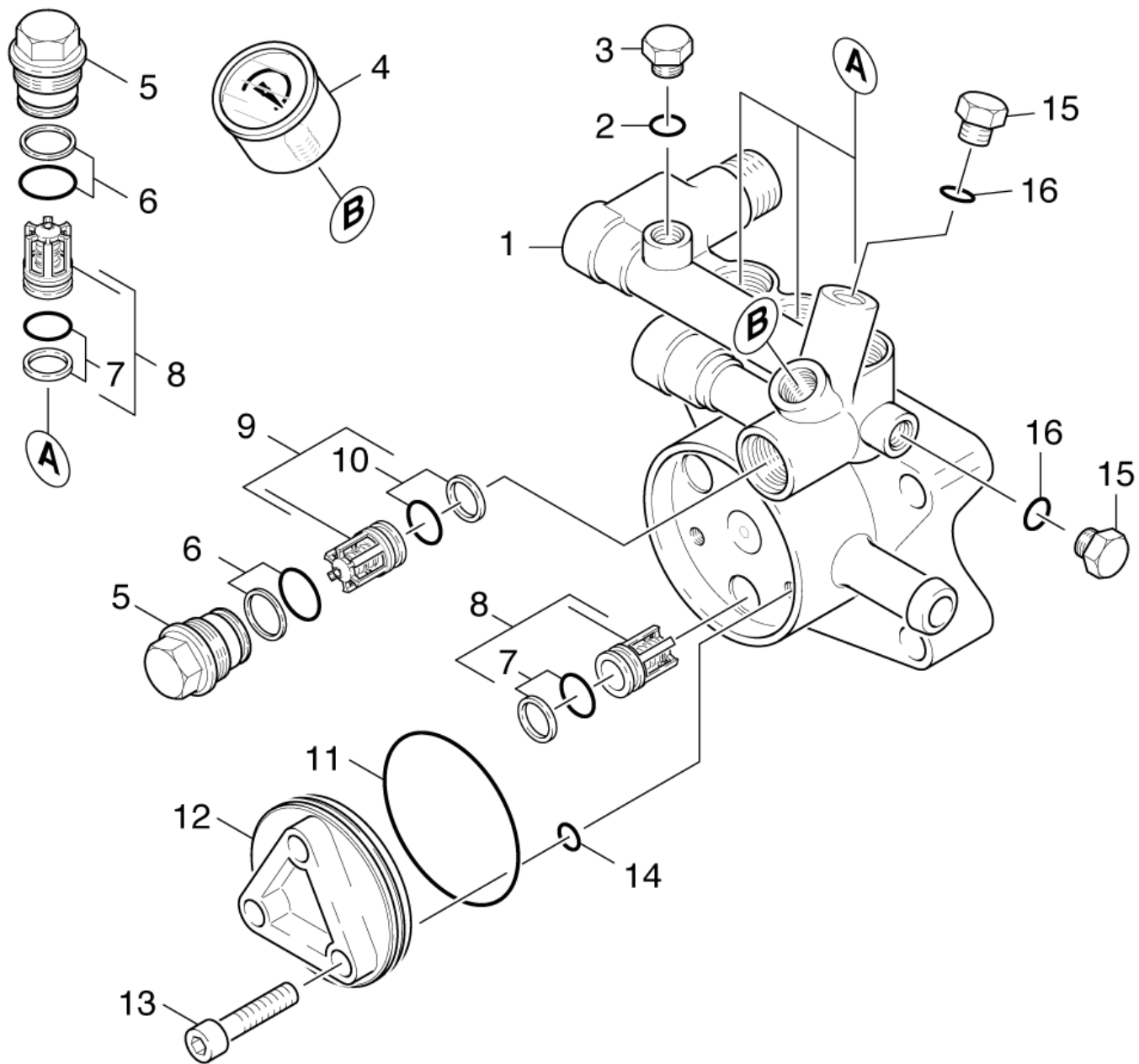
21 Excess-current

POS	Article no.	Description	Quantity	Unit
1	4.591-042.0	Excess-current	1.000	ST
6	6.362-445.0	O-Ring seal 16,0 X 2,4-NBR 80	1.000	ST
7	6.362-365.0	O-Ring seal complete 1ST.-R.- 7,65X 1,7	1.000	ST
9	6.363-333.0	O-Ring seal complete 12,42 H-NBR 85 1St-	1.000	ST
10	6.362-858.0	O-Ring seal 11,0 X 1,5	1.000	ST
11	4.481-226.0	Valve seat complete	1.000	ST
12	7.401-907.0	Sphere 3/8 G200-1.4301 DIN 5401	1.000	ST
13	5.332-999.0	Helical spring	1.000	ST
14	6.362-384.0	O-Ring seal 9x1,5 - NBR 70	1.000	ST
15	5.769-135.0	Nozzle insert D2,8/ D3,4/ L38	1.000	ST
16	6.362-533.0	O-Ring seal 14,0 X 1,5-NBR 70	3.000	ST
17	5.411-107.0	Screw plug	1.000	ST
18	6.362-384.0	O-Ring seal 9x1,5 - NBR 70	4.000	ST
19	5.769-152.0	Nozzle insert D1,9/D2,5/L38	1.000	ST
20	6.388-216.0	Hose DN 5	1.000	M
22	5.402-678.0	Screw union	1.000	ST
23	5.332-124.0	Helical spring	1.000	ST
24	7.401-908.0	Sphere 7 G300 -1.4301 DIN 5401	1.000	ST
25	6.362-383.0	O-Ring seal 6,0 X 2,0	1.000	ST
26	5.402-523.0	Screw union	1.000	ST
27	5.443-281.0	Hose stem	1.000	ST
28	5.321-318.0	Handhold	1.000	ST
29	6.362-151.0	O-Ring d. 10 x 2 NBR 70	1.000	ST
30	7.306-136.0	Cylinder head screw M 5x35-A4-70 ISO 47	1.000	ST
31	5.028-692.0	Tube	1.000	ST
32	5.731-652.0	Filter with weight	1.000	ST



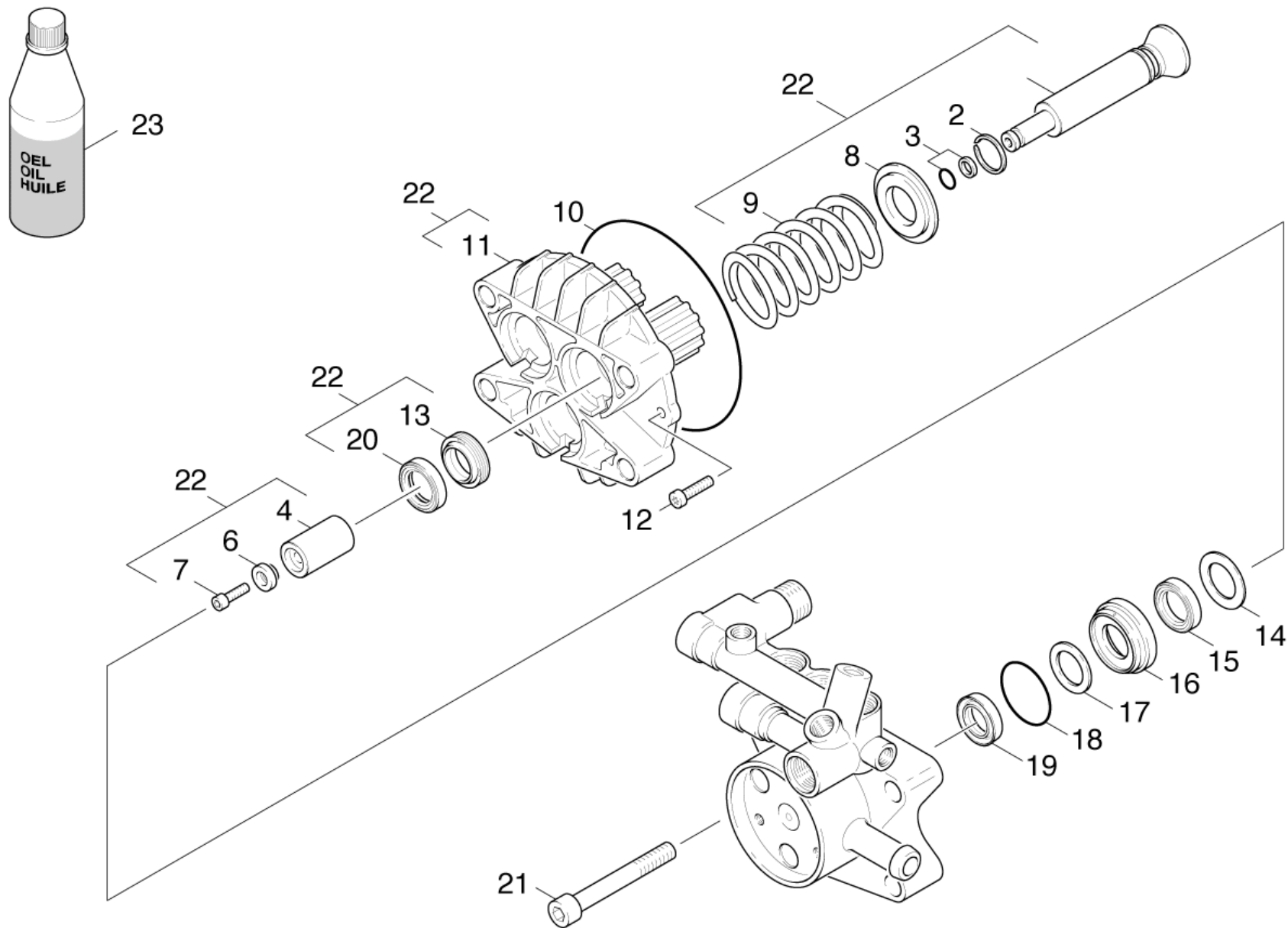
11 Valve seat complete (4.481-226.0)

POS	Article no.	Description	Quantity	Unit
2	6.362-858.0	O-Ring seal 11,0 X 1,5	1.000	ST
3	7.401-907.0	Sphere 3/8 G200-1.4301 DIN 5401	1.000	ST
4	5.332-999.0	Helical spring	1.000	ST



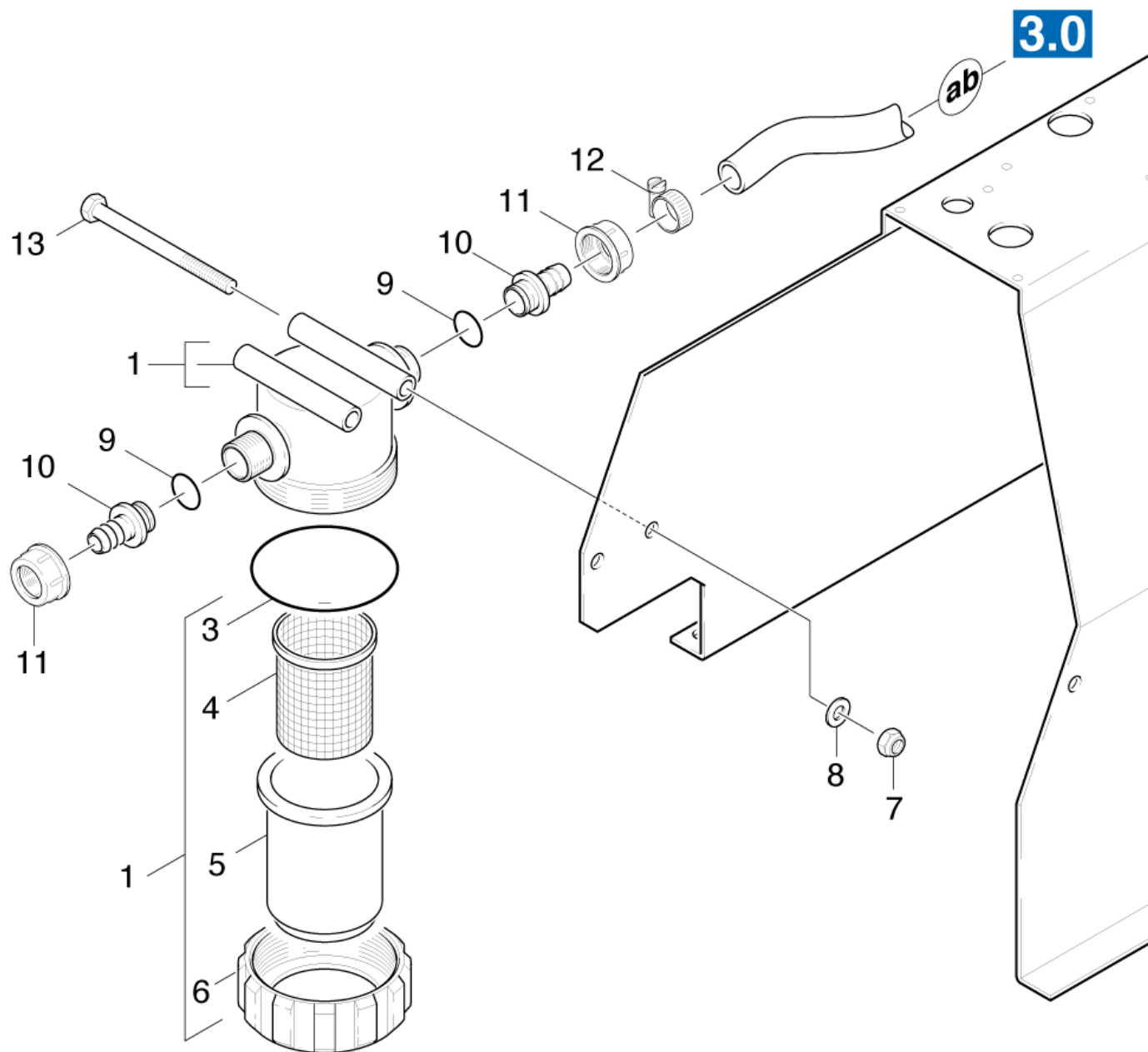
22 Cylinder head

POS	Article no.	Description	Quantity	Unit
1	5.550-293.0	Cylinder head	1.000	ST
2	6.362-101.0	O-Ring seal 8 X 2	1.000	ST
3	5.411-070.0	Screw plug	1.000	ST
4	6.421-214.0	Pressure gauge 0-300 BAR	1.000	ST
5	5.583-125.0	Valve screw	4.000	ST
6	6.362-500.0	O-Ring seal complete /1ST.-R.	4.000	ST
7	4.363-693.0	O-Ring seal kpl. -nur fuer Ersatz-	6.000	ST
8	2.884-906.0	TRIPLE VALVE	2.000	ST
9	4.580-262.0	Valve complete	1.000	ST
10	6.362-381.0	O-Ring seal 13x2 - NBR 70	1.000	ST
11	6.362-501.0	O-Ring seal 68,0 X 2,0-NBR 70	1.000	ST
12	5.063-611.0	Cover housing	1.000	ST
13	7.306-074.0	Cylinder head screw M10x35-8.8-A3E ISO4	3.000	ST
14	6.362-858.0	O-Ring seal 11,0 X 1,5	3.000	ST
15	5.411-117.0	Screw plug	2.000	ST
16	7.362-004.0	Joint ring A12x15,5 -Cu DIN 7603	2.000	ST



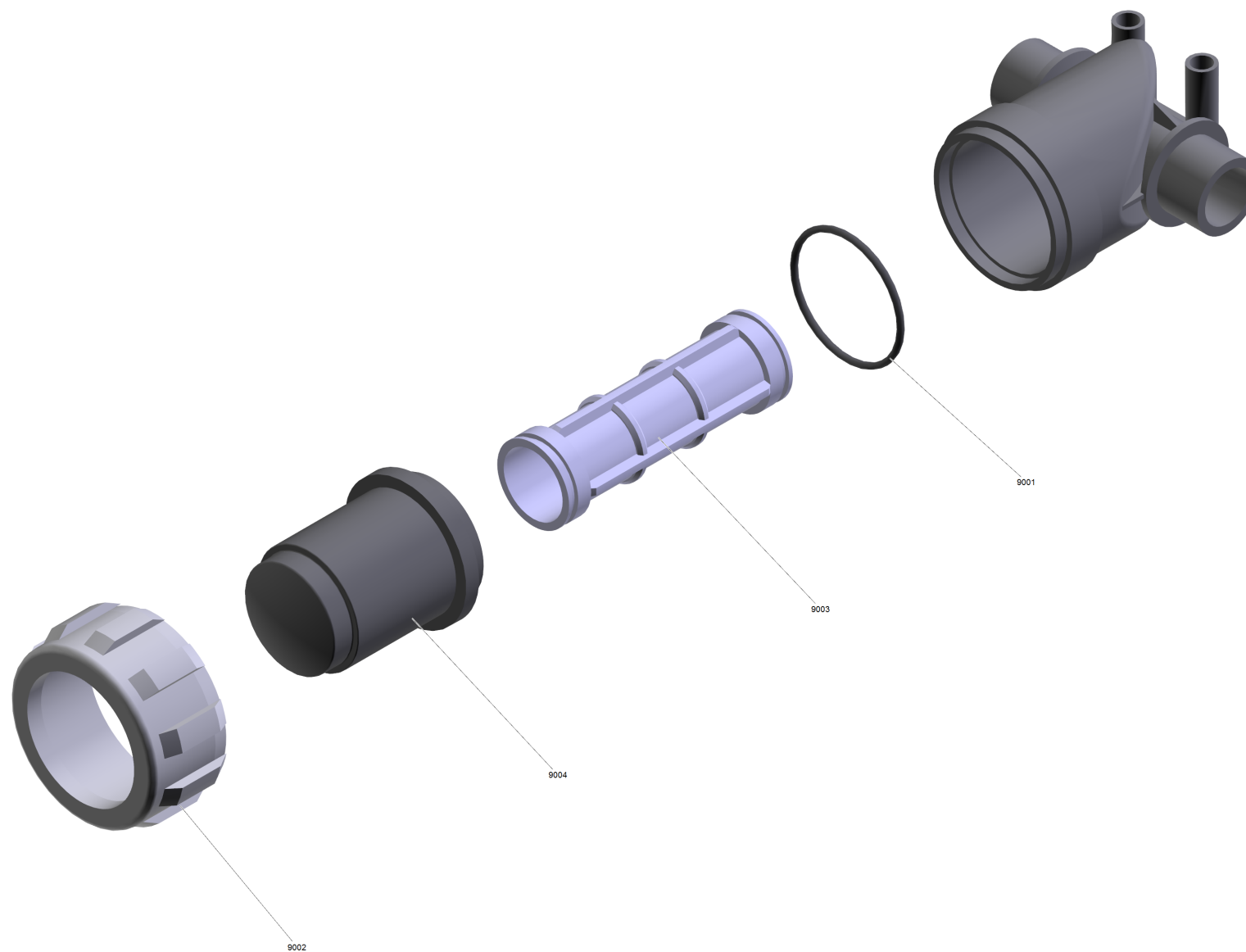
23 Piston

POS	Article no.	Description	Quantity	Unit
2	6.343-142.0	Snap ring WR 22	3.000	ST
3	6.362-365.0	O-Ring seal complete 1ST.-R.- 7,65X 1,7	3.000	ST
4	5.110-293.0	Sleeve ceramic	3.000	ST
6	5.110-914.0	Sleeve	3.000	ST
7	7.306-158.0	Cylinder head screw M 5x20-A4-70 ISO 47	3.000	ST
8	5.115-522.0	Washer	3.000	ST
9	5.332-531.0	Helical spring	3.000	ST
10	6.362-796.0	O-Ring seal 107,62X 2,62	1.000	ST
11	5.060-955.0	Housing	1.000	ST
12	7.306-105.0	Screw M6x30 -8.8-R3R (In6Rd)	2.000	ST
13	6.365-059.0	Grooved ring 22X30X6/8	3.000	ST
14	5.115-314.0	Washer	3.000	ST
15	6.365-069.0	Compact seal 24X36X7	3.000	ST
16	5.112-685.0	Bush	3.000	ST
17	5.115-480.0	Washer	3.000	ST
18	6.362-092.0	O-Ring seal 36,0 X 2,0-NBR 70	3.000	ST
19	6.365-347.0	Grooved ring	3.000	ST
20	5.115-978.0	Washer	3.000	ST
21	7.306-091.0	Cylinder head screw M12x90- 8.8-A3E ISO	4.000	ST
22	4.060-522.0	Thrust guidance complete	1.000	ST
23	6.288-016.0	Gear oil 1L	1.000	ST



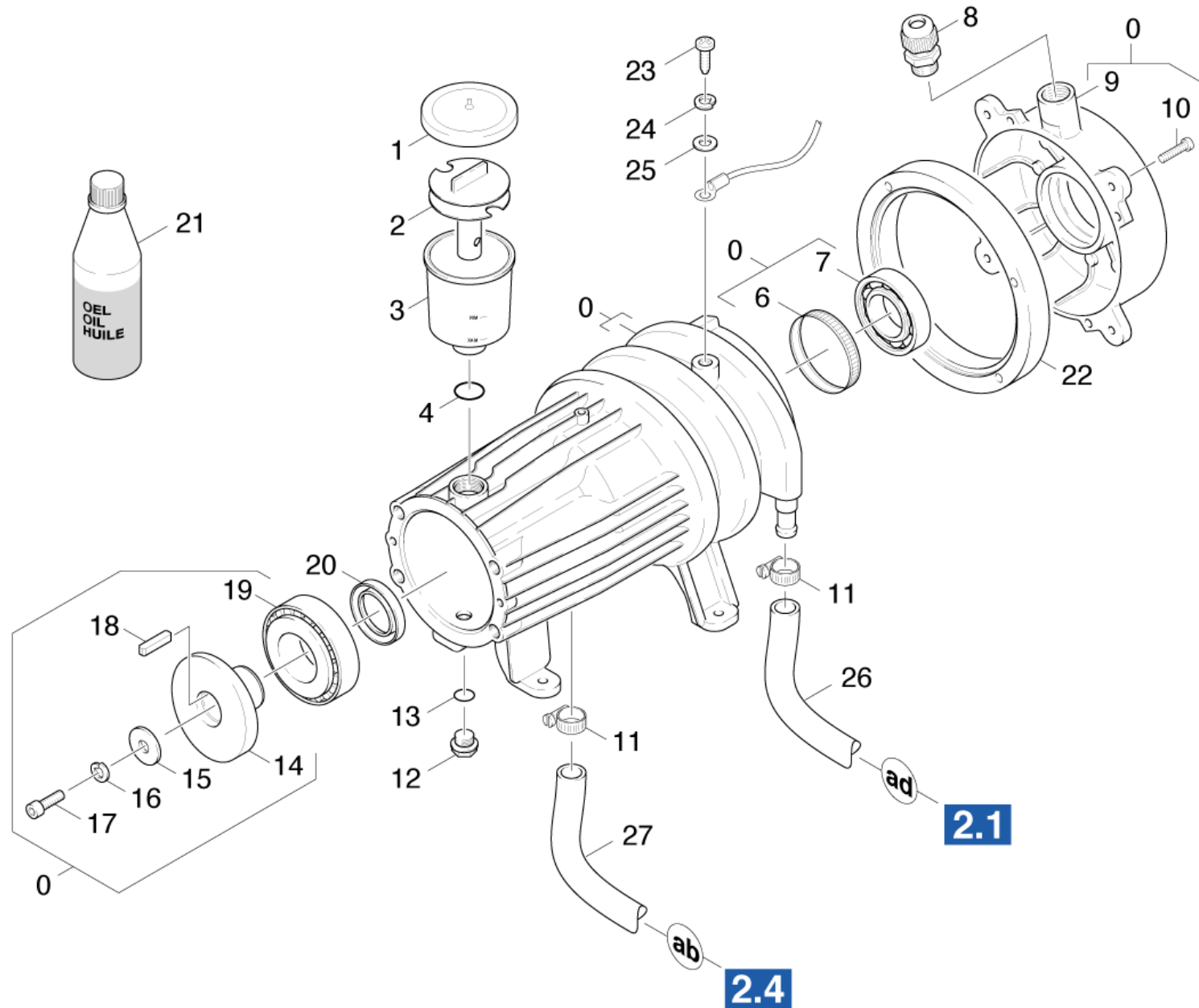
24 Water filter

POS	Article no.	Description	Quantity	Unit
1	6.415-960.0	Water filter complete	1.000	ST
3	6.363-166.0	O-Ring seal	1.000	ST
4	6.414-666.0	Filter cartridge only for replacement	1.000	ST
5	6.414-688.0	Filter cup	1.000	ST
6	6.385-881.0	Union nut	1.000	ST
7	7.311-427.0	Hexagon nut M8 -04-A2E DIN 985	2.000	ST
8	7.312-004.0	Washer 8 -200HV-A3E ISO 7089	2.000	ST
9	6.363-006.0	O-Ring seal 20X2,8	2.000	ST
10	6.390-124.0	Hose stem D 19	2.000	ST
11	6.310-112.0	Union nut 1"	2.000	ST
12	6.388-547.0	Hose clip	1.000	ST
13	7.304-068.0	Hexagonal head screw M8x80-A2-70 ISO 40	2.000	ST



1 Water filter complete (6.415-960.0)

POS	Article no.	Description	Quantity	Unit
9001	6.363-166.0	O-Ring seal	1.000	ST
9002	6.385-881.0	Union nut	1.000	ST
9003	6.414-666.0	Filter cartridge only for replacement	1.000	ST
9004	6.414-688.0	Filter cup	1.000	ST

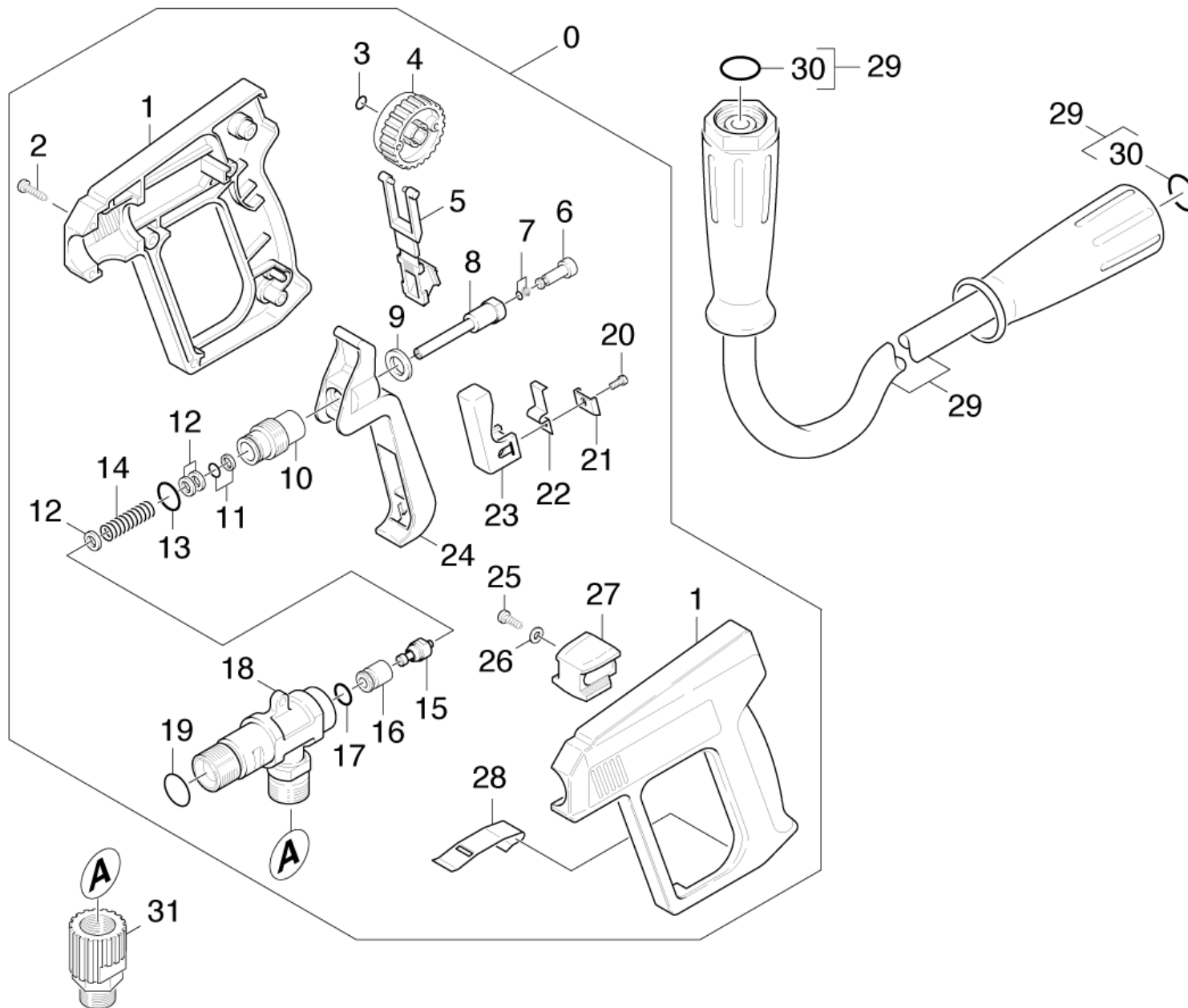


30 Motor

POS	Article no.	Description	Quantity	Unit
0	4.623-539.0	Motor complete	1.000	ST
1	5.063-189.0	Cover	1.000	ST
2	5.030-389.0	Moulded part	1.000	ST
3	5.070-048.0	Box	1.000	ST
4	6.362-168.0	O-Ring seal 22,3 X 2,4-NBR 70	1.000	ST
6	6.343-010.0	Tolerance ring 62x10	1.000	ST
7	6.401-253.0	Ball bearing 6305-2Z	1.000	ST
8	6.641-356.0	Cable gland PG16	1.000	ST
9	5.063-452.0	Cover	1.000	ST
10	7.303-156.0	Screw M6x40 -St-P3R (In6Rd)	4.000	ST
11	6.388-547.0	Hose clip	2.000	ST
12	5.411-100.0	Screw plug	1.000	ST
13	6.363-273.0	O-Ring seal 11,0 x 2,0	1.000	ST
14	5.120-346.0	Wobble plate	1.000	ST
15	5.115-565.0	Washer	1.000	ST
16	7.312-159.0	Toothed lock washer A8,4-FST-PH DIN 679	1.000	ST
17	7.306-041.0	Cylinder head screw M8x20 -8.8-A2E ISO	1.000	ST
18	7.318-035.0	Parallel key 8x7x25 -C45K DIN 6885-1	1.000	ST
19	6.401-225.3	Taper roller bearing 41	1.000	ST
20	7.367-009.0	Radial shaft seal ring A35x52x7-NBR DIN	1.000	ST
21	6.288-016.0	Gear oil 1L	1.000	ST
22	5.114-499.0	Ring	1.000	ST
23	6.303-031.0	Screw M8x16-ST-R2R DIN 7500-1	1.000	ST
24	7.313-004.0	Spring washer B 8-FSt-A3E DIN 127	1.000	ST
25	7.312-004.0	Washer 8 -200HV-A3E ISO 7089	1.000	ST
26	5.442-833.0	Piece of tube	1.000	ST
27	5.442-994.0	Hose	1.000	ST

40 Accessories

POS	Description	Quantity	Unit	Remark
41	Hand trigger gun	1.000	ST	Version 1
42	Hand trigger gun	1.000	ST	
43	Jet pipe	1.000	ST	VERSION 1
44	Jet pipe	1.000	ST	VERSION 2
45	Jet pipe	1.000	ST	VERSION 3
46	Triple jet nozzle	1.000	ST	
47	Dirt blaster	1.000	ST	

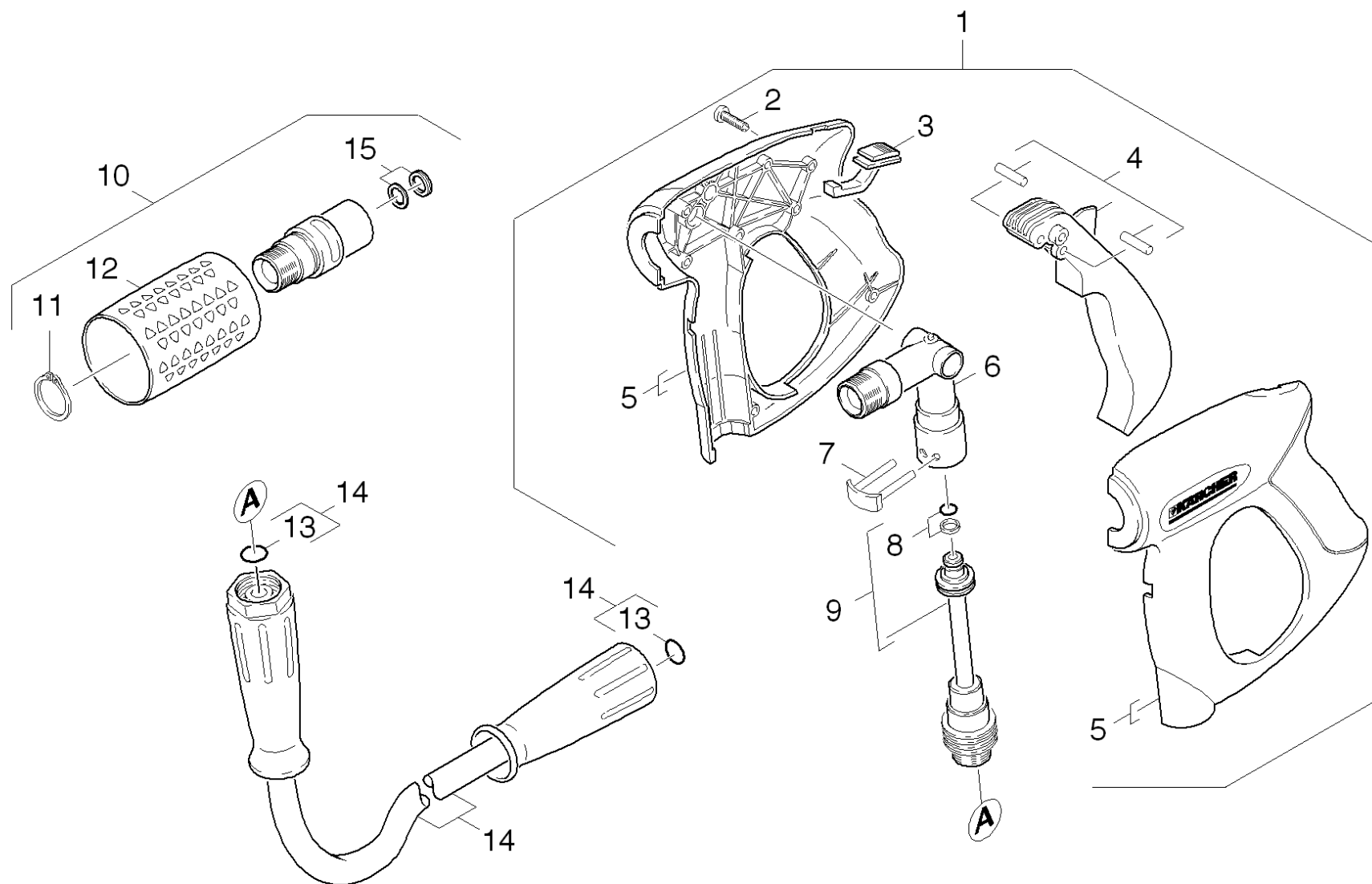


41 Hand trigger gun

POS	Article no.	Description	Quantity	Unit
0	7.777-999.0	Stockpiling discontinued	1.000	ST
1	5.321-107.0	Handhold few	1.000	ST
2	7.303-096.0	Screw 4x22 -ST-10.9-R2R (IN6RD)	8.000	ST
3	6.362-176.0	O-Ring seal 6,07x1,78	1.000	ST
4	5.322-006.0	Hand wheel	1.000	ST
5	5.030-283.0	Moulded part	1.000	ST
6	5.553-118.0	Piston	1.000	ST
7	6.362-477.0	O-Ring seal complete 1ST.-R.	1.000	ST
8	5.107-062.0	Bar	1.000	ST
10	5.305-110.0	Shaped screw	1.000	ST
11	6.362-468.0	O-Ring seal complete 1ST.-R.	1.000	ST
12	5.115-260.0	Washer	3.000	ST
13	6.362-478.0	O-Ring seal 12,42X 1,78	1.000	ST
14	5.332-140.0	Helical spring	1.000	ST
15	4.581-013.0	Valve seat	1.000	ST
16	5.110-240.0	Sleeve 800L/H	1.000	ST
17	6.362-479.0	O-Ring seal 7,59X 2,62	1.000	ST
18	5.427-079.0	Manifold	1.000	ST
19	6.362-496.0	O-Ring seal 17,12X 2,62-NBR 70	1.000	ST
20	6.303-058.0	Oval head screw 2,9X 13-ST-VERZ	1.000	ST
21	5.040-480.0	Sheet metal component	1.000	ST
22	5.335-013.0	Spiral spring	1.000	ST
23	5.325-010.0	Lever	1.000	ST
24	5.325-009.0	Lever	1.000	ST
25	6.303-025.0	Oval head screw 4,2x16-St-vz	1.000	ST
26	7.312-001.0	Washer 4 -200HV-A3E ISO 7089	1.000	ST
27	5.030-321.0	Moulded part	1.000	ST
28	5.040-479.0	Sheet metal component	1.000	ST
29	6.390-023.0	Hose assembly premium DN10 22MPa 15m	1.000	ST
30	2.880-990.0	Spare part set O-Ring 5x -Kaercher	1.000	ST
31	6.401-412.0	Rotating coupler	1.000	ST
100	2.880-369.0	Spare part set 4.775-041	1.000	ST

100 Spare part set 4.775-041 (2.880-369.0)

POS	Article no.	Description	Quantity	Unit
10	4.581-013.0	Valve seat	1.000	ST
20	5.110-240.0	Sleeve 800L/H	1.000	ST
30	5.332-140.0	Helical spring	1.000	ST
40	6.303-024.0	Oval head screw 4,2x22-ST-VERZ	8.000	ST
50	6.362-176.0	O-Ring seal 6,07x1,78	1.000	ST
60	6.362-468.0	O-Ring seal complete 1ST.-R.	1.000	ST
70	6.362-477.0	O-Ring seal complete 1ST.-R.	1.000	ST
80	6.362-478.0	O-Ring seal 12,42X 1,78	1.000	ST
90	6.362-479.0	O-Ring seal 7,59X 2,62	1.000	ST
100	6.362-496.0	O-Ring seal 17,12X 2,62-NBR 70	1.000	ST



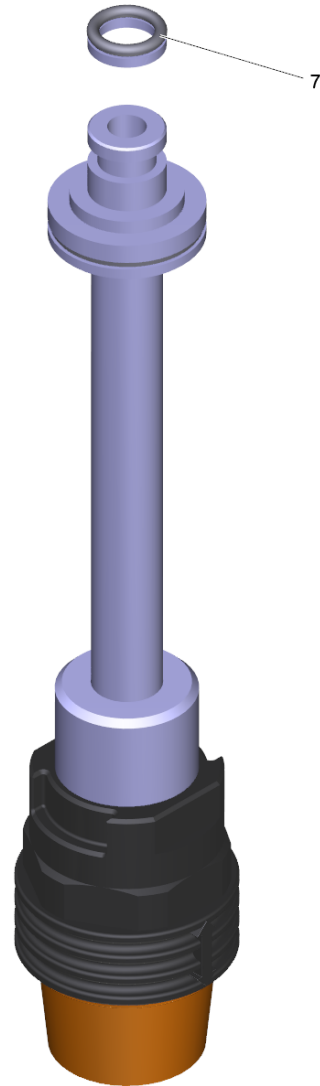
42 Hand trigger gun

POS	Article no.	Description	Quantity	Unit
1	4.775-466.0	Hand trigger gun	1.000	ST
2	7.303-096.0	Screw 4x22 -ST-10.9-R2R (IN6RD)	7.000	ST
3	5.481-331.0	Slider	1.000	ST
4	4.481-209.0	Lever complete	1.000	ST
5	5.321-669.3	Handhold few	1.000	ST
6	4.427-215.0	Manifold complete only for replacement	1.000	ST
7	4.037-013.0	Hook	1.000	ST
8	4.363-691.0	O-Ring seal kpl. -nur fuer Ersatz-	1.000	ST
9	4.421-739.3	Adapter pipelines AVS-M22x1,5	1.000	ST
10	4.775-471.0	Rotary controller 700L	1.000	ST
11	7.343-069.0	Locking ring 25x1,2-1.4122 DIN 471	1.000	ST
12	5.321-668.0	Handle	1.000	ST
13	2.880-990.0	Spare part set O-Ring 5x -Kaercher	2.000	ST
14	6.390-023.0	Hose assembly premium DN10 22MPa 15m	1.000	ST
15	4.363-695.0	Grooved ring only for replacement	1.000	ST



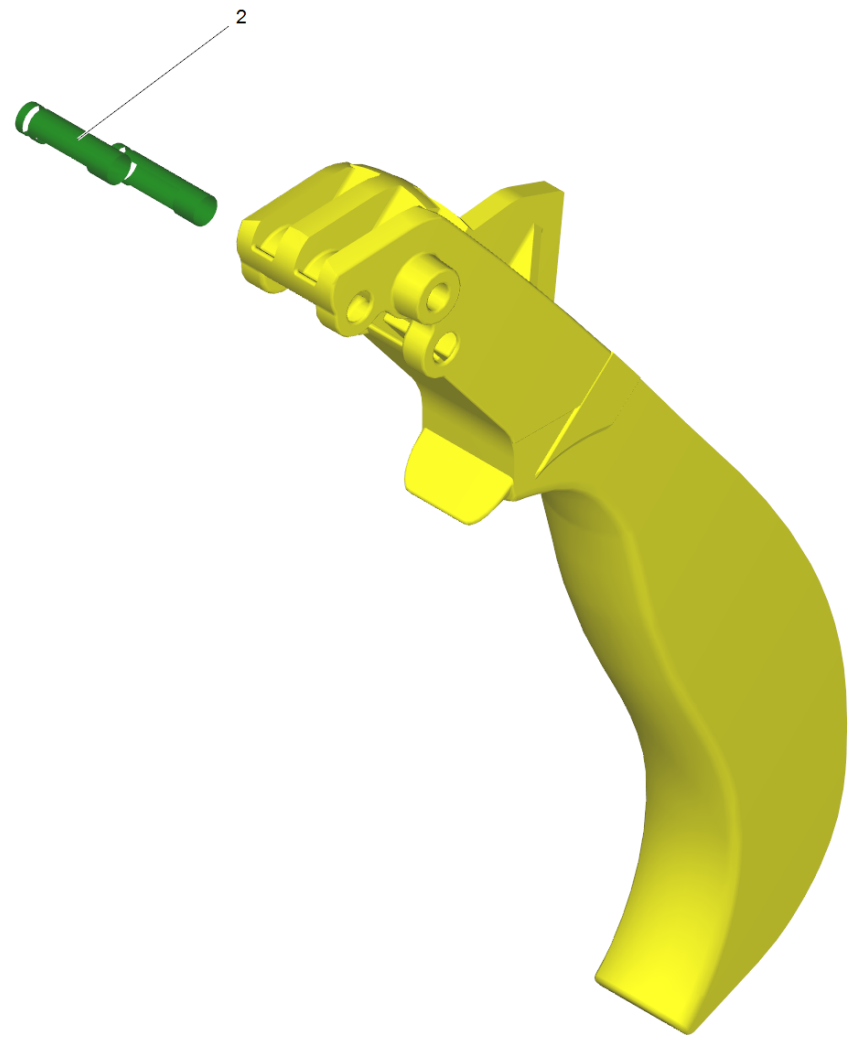
1 Hand trigger gun (4.775-466.0)

POS	Article no.	Description	Quantity	Unit
2	4.037-013.0	Hook	1.000	ST
32	5.321-669.3	Handhold few	1.000	ST
34	5.481-331.0	Slider	1.000	ST
45	7.303-096.0	Screw 4x22 -ST-10.9-R2R (IN6RD)	7.000	ST
60	4.421-739.3	Adapter pipelines AVS-M22x1,5	1.000	ST
9001	4.427-215.0	Manifold complete only for replacement	1.000	ST
9002	4.481-209.0	Lever complete	1.000	ST



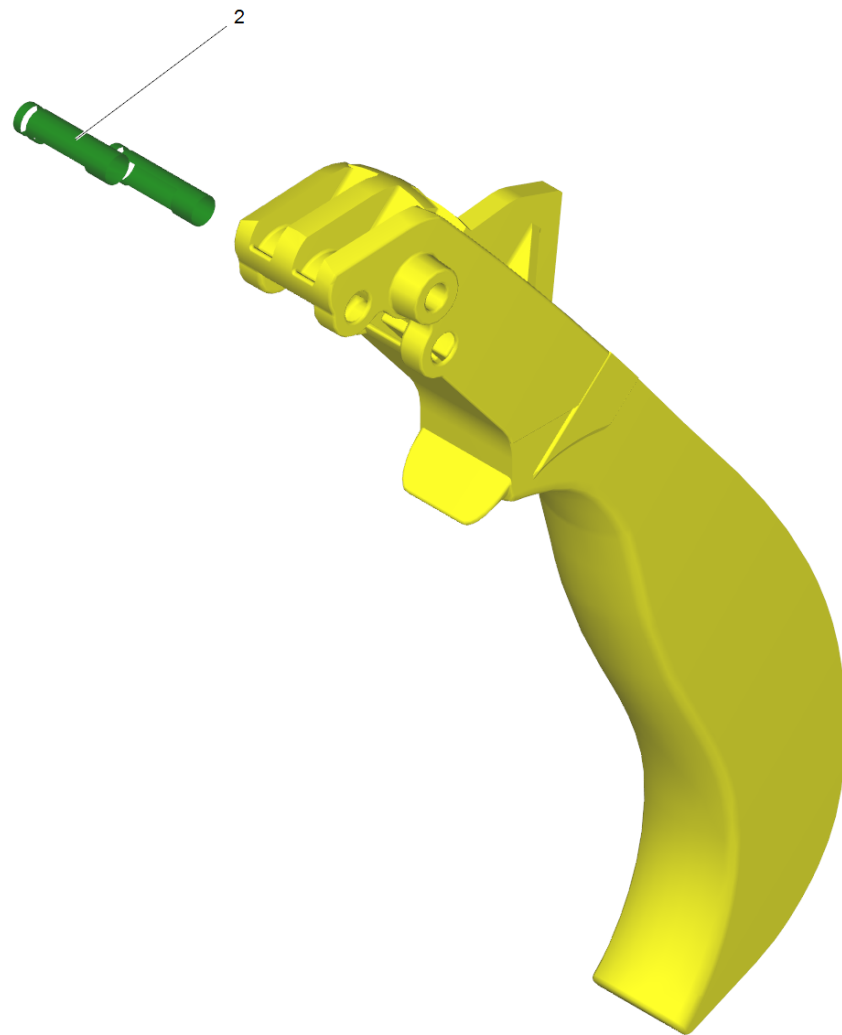
60 Adapter pipelines AVS-M22x1,5 (4.421-739.3)

POS	Article no.	Description	Quantity	Unit
7	4.363-691.0	O-Ring seal kpl. -nur fuer Ersatz-	1.000	ST



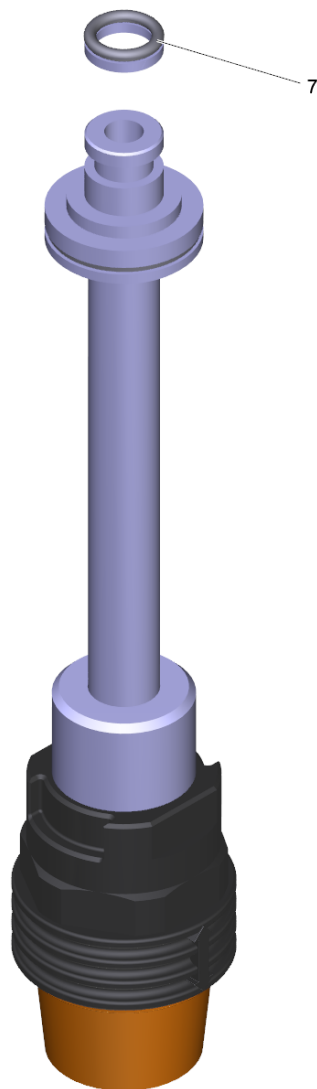
9002 Lever complete (4.481-209.0)

POS	Article no.	Description	Quantity	Unit
2	5.314-119.0	Pin	2.000	ST



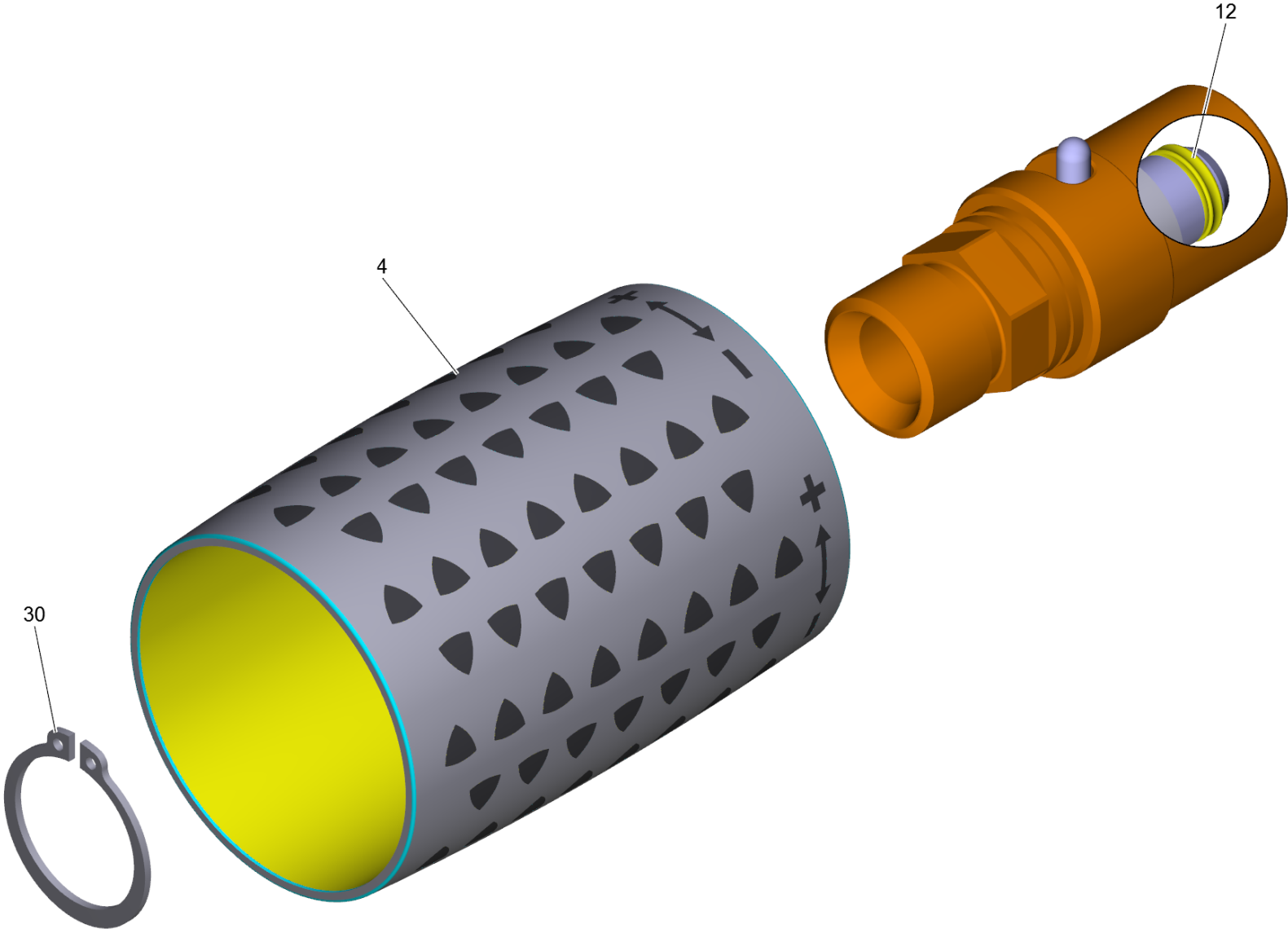
4 Lever complete (4.481-209.0)

POS	Article no.	Description	Quantity	Unit
2	5.314-119.0	Pin	2.000	ST



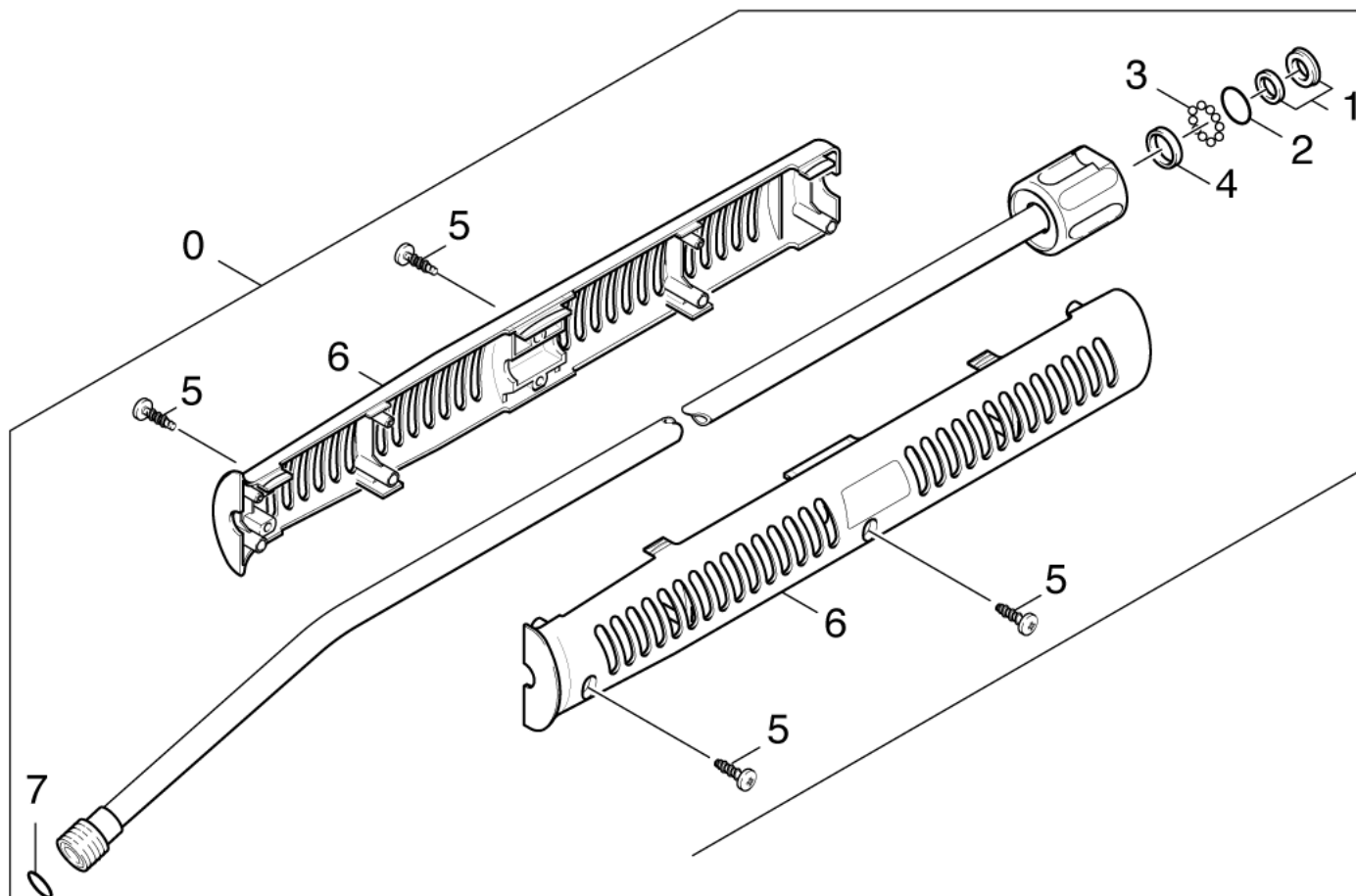
9 Adapter pipelines AVS-M22x1,5 (4.421-739.3)

POS	Article no.	Description	Quantity	Unit
7	4.363-691.0	O-Ring seal kpl. -nur fuer Ersatz-	1.000	ST



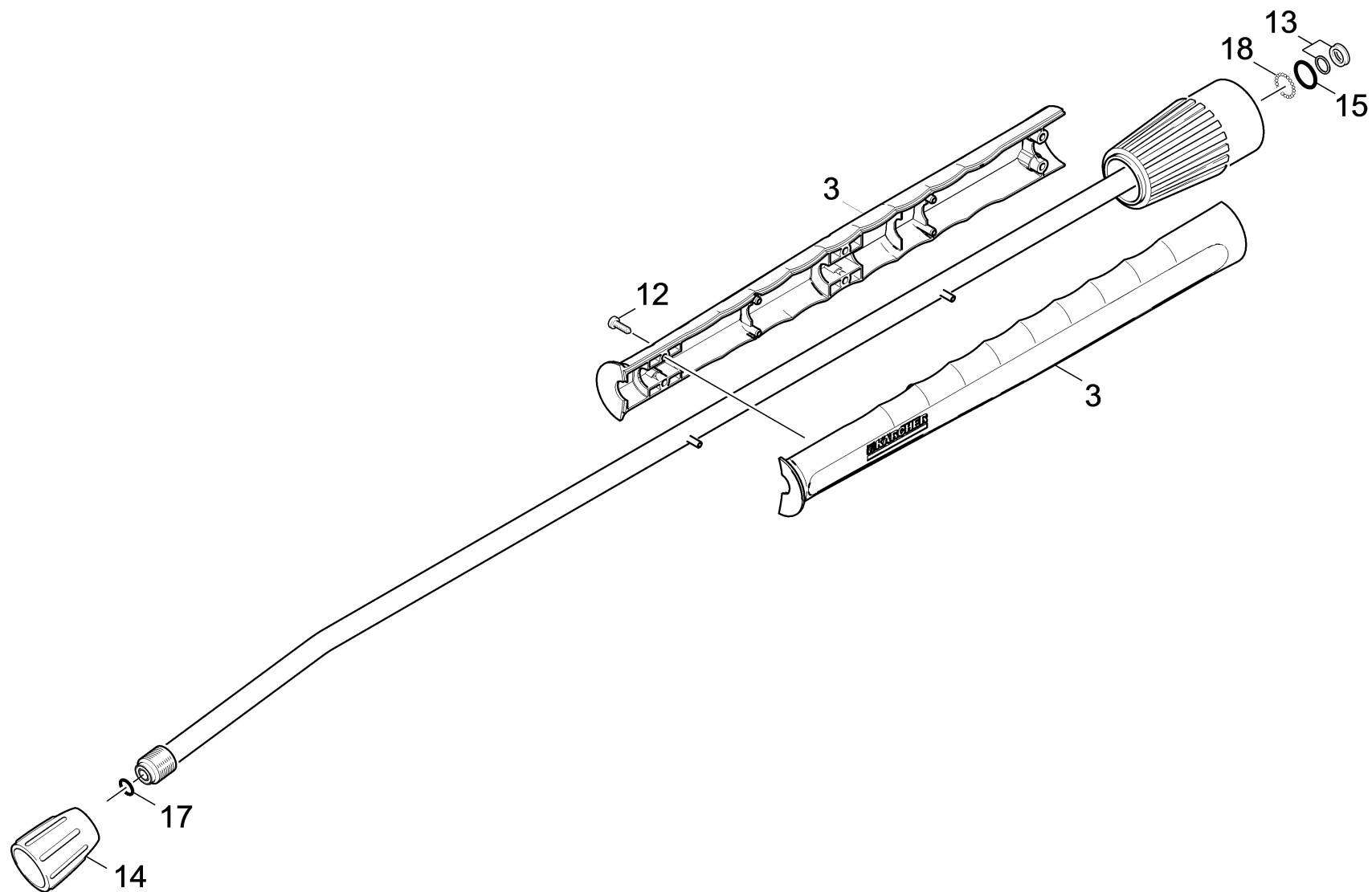
10 Rotary controller 700L (4.775-471.0)

POS	Article no.	Description	Quantity	Unit
4	5.321-668.0	Handle	1.000	ST
12	6.362-064.0	Quad joint ring 9.19x2.62	1.000	ST
30	7.343-069.0	Locking ring 25x1,2-1.4122 DIN 471	1.000	ST



43 Jet pipe

POS	Article no.	Description	Quantity	Unit
0	4.760-660.0	Jet pipe packaged only for replacement	1.000	ST
1	4.363-692.0	Grooved ring kpl. -nur fuer Ersatz-	1.000	ST
2	6.362-524.0	O-Ring seal 17,0 X 1,5	1.000	ST
3	7.401-921.0	Sphere 4 G20 -1.4034 DIN 5401	12.000	ST
4	6.362-529.0	Joint ring 12x1,5	1.000	ST
5	6.303-025.0	Oval head screw 4,2x16-St-vz	4.000	ST
6	5.321-150.0	HANDLE (PART NO=ONE HALF)	2.000	ST
7	2.880-990.0	Spare part set O-Ring 5x -Kaercher	1.000	ST

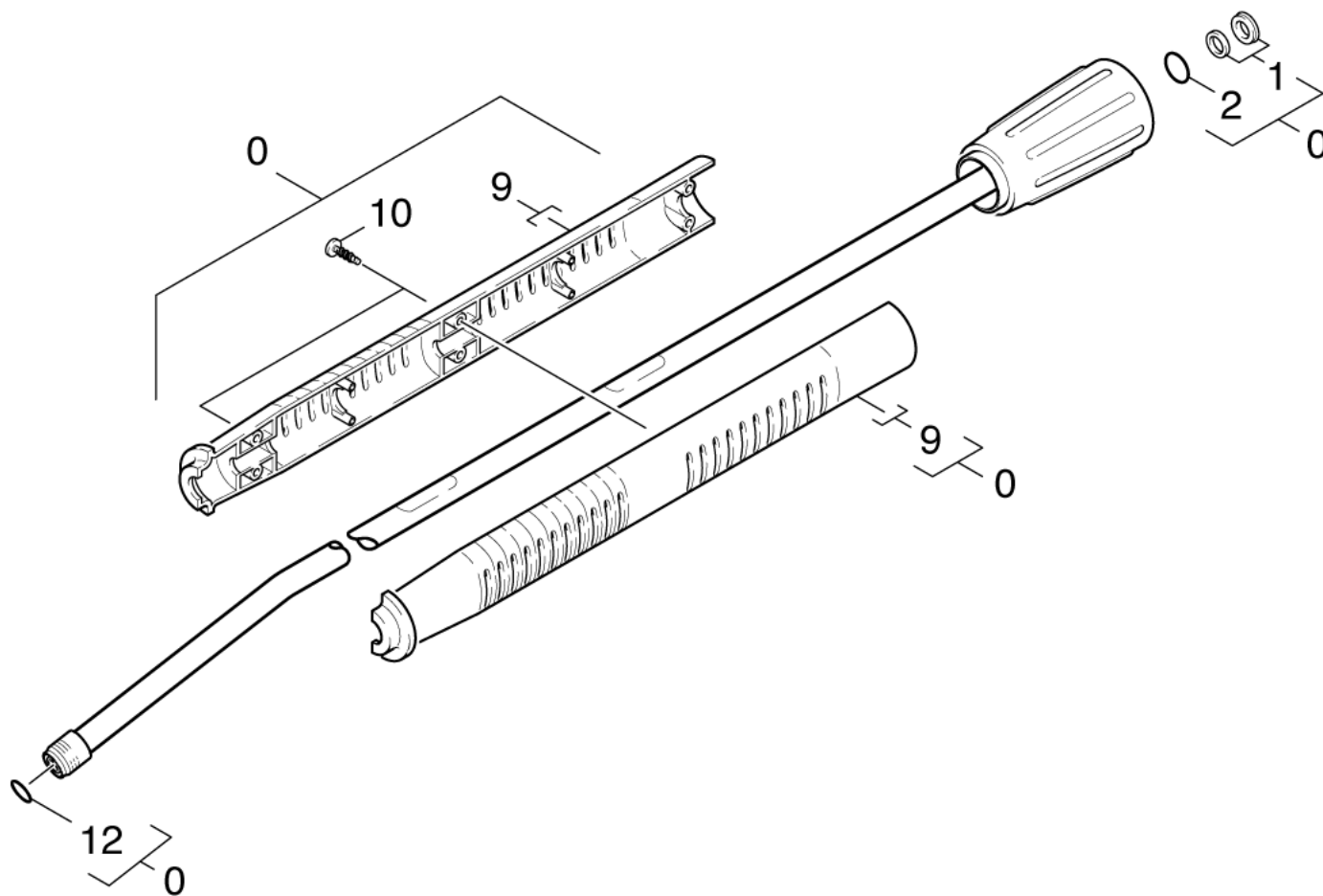


Jet pipe packaged only for replacement (4.760-660.0)

POS	Article no.	Description	Quantity	Unit
3	5.321-855.0	Handhold few jet pipe with welding bolt	1.000	ST
12	7.303-129.0	Screw 4x16 -10.9-R2R (K-In6Rd)	6.000	ST
13	4.363-692.0	Grooved ring kpl. -nur fuer Ersatz-	1.000	ST
14	5.401-210.0	Screw connector part	1.000	ST
15	6.362-524.0	O-Ring seal 17,0 X 1,5	1.000	ST
17	2.880-990.0	Spare part set O-Ring 5x -Kaercher	1.000	ST
18	7.401-915.0	Sphere 2,5 G40 -1.4034 DIN 5401	1.000	ST

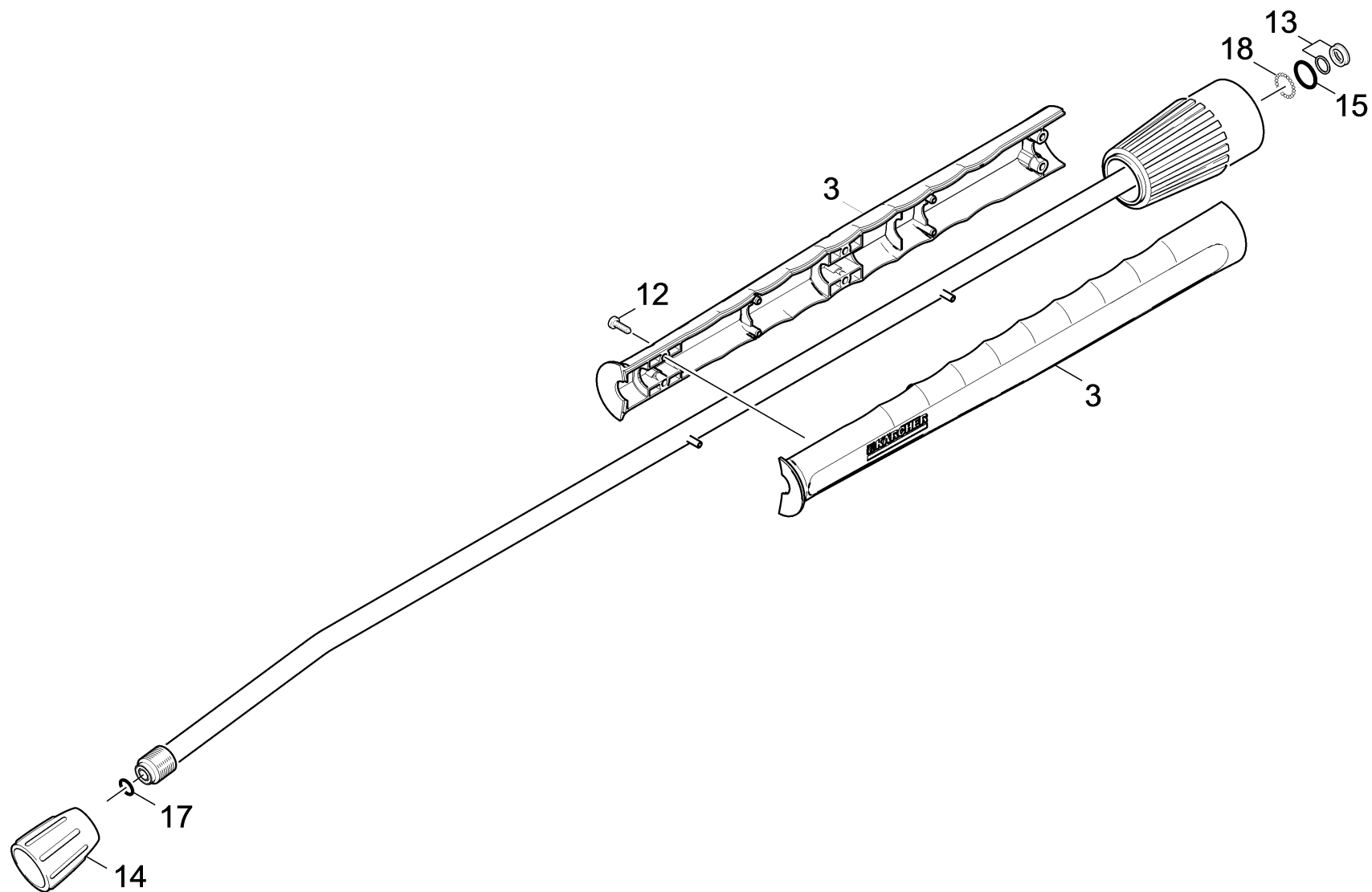
14 Screw connector part (5.401-210.0)

POS	Article no.	Description	Quantity	Unit
10	9.369-041.0	SCREW CONNECTOR PART	1.000	ST



44 Jet pipe

POS	Article no.	Description	Quantity	Unit
0	4.760-660.0	Jet pipe packaged only for replacement	1.000	ST
1	4.363-692.0	Grooved ring kpl. -nur fuer Ersatz-	1.000	ST
2	6.362-524.0	O-Ring seal 17,0 X 1,5	1.000	ST
9	5.321-691.0	Handhold few jet pipe	1.000	ST
10	6.303-025.0	Oval head screw 4,2x16-St-vz	6.000	ST
12	2.880-154.0	O-Ring kit	1.000	ST

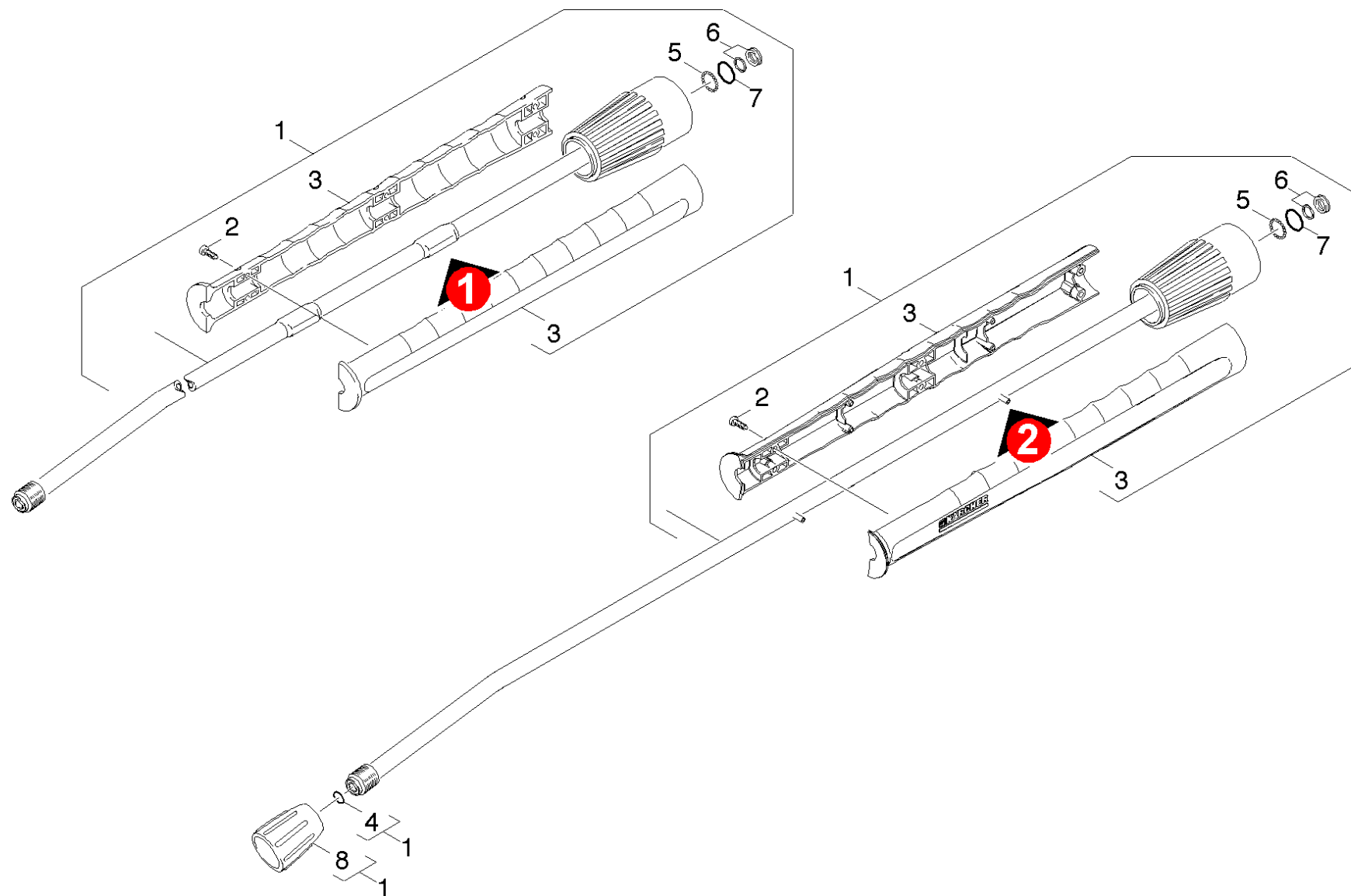


Jet pipe packaged only for replacement (4.760-660.0)

POS	Article no.	Description	Quantity	Unit
3	5.321-855.0	Handhold few jet pipe with welding bolt	1.000	ST
12	7.303-129.0	Screw 4x16 -10.9-R2R (K-In6Rd)	6.000	ST
13	4.363-692.0	Grooved ring kpl. -nur fuer Ersatz-	1.000	ST
14	5.401-210.0	Screw connector part	1.000	ST
15	6.362-524.0	O-Ring seal 17,0 X 1,5	1.000	ST
17	2.880-990.0	Spare part set O-Ring 5x -Kaercher	1.000	ST
18	7.401-915.0	Sphere 2,5 G40 -1.4034 DIN 5401	1.000	ST

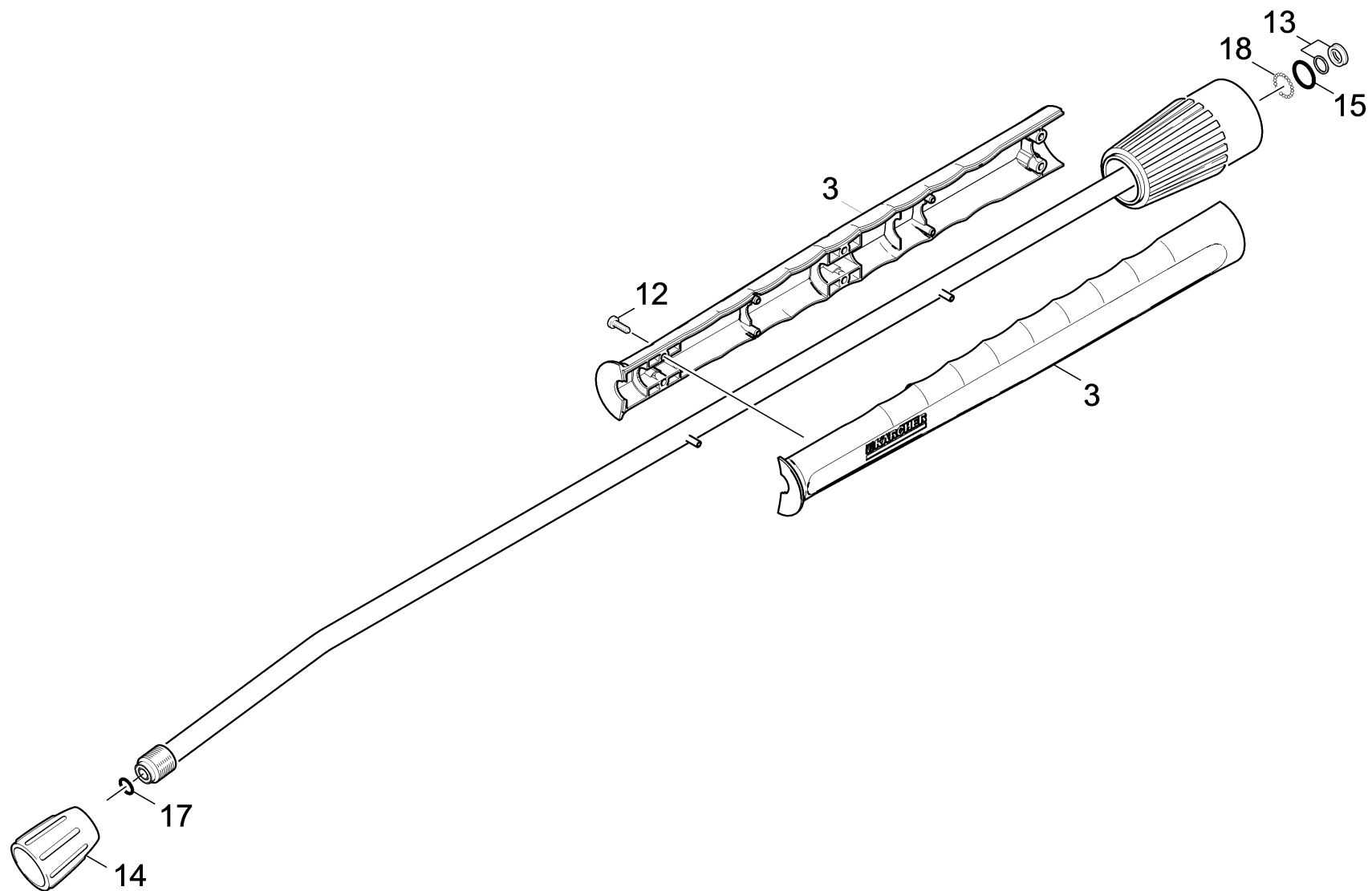
14 Screw connector part (5.401-210.0)

POS	Article no.	Description	Quantity	Unit
10	9.369-041.0	SCREW CONNECTOR PART	1.000	ST



45 Jet pipe

POS	Article no.	Description	Quantity	Unit	Remark
1	4.760-660.0	Jet pipe packaged only for replacement	1.000	ST	
2	7.303-129.0	Screw 4x16 -10.9-R2R (K-In6Rd)	6.000	ST	
3	5.321-855.0	Handhold few jet pipe with welding bolt	1.000	ST	VERSION 2
3	5.321-691.0	Handhold few jet pipe	1.000	ST	VERSION 1
4	2.880-990.0	Spare part set O-Ring 5x -Kaercher	1.000	ST	
5	7.401-915.0	Sphere 2,5 G40 -1.4034 DIN 5401	20.000	ST	
6	4.363-692.0	Grooved ring kpl. -nur fuer Ersatz-	1.000	ST	
7	6.362-524.0	O-Ring seal 17,0 X 1,5	1.000	ST	
8	5.401-129.0	Screw connector part	1.000	ST	

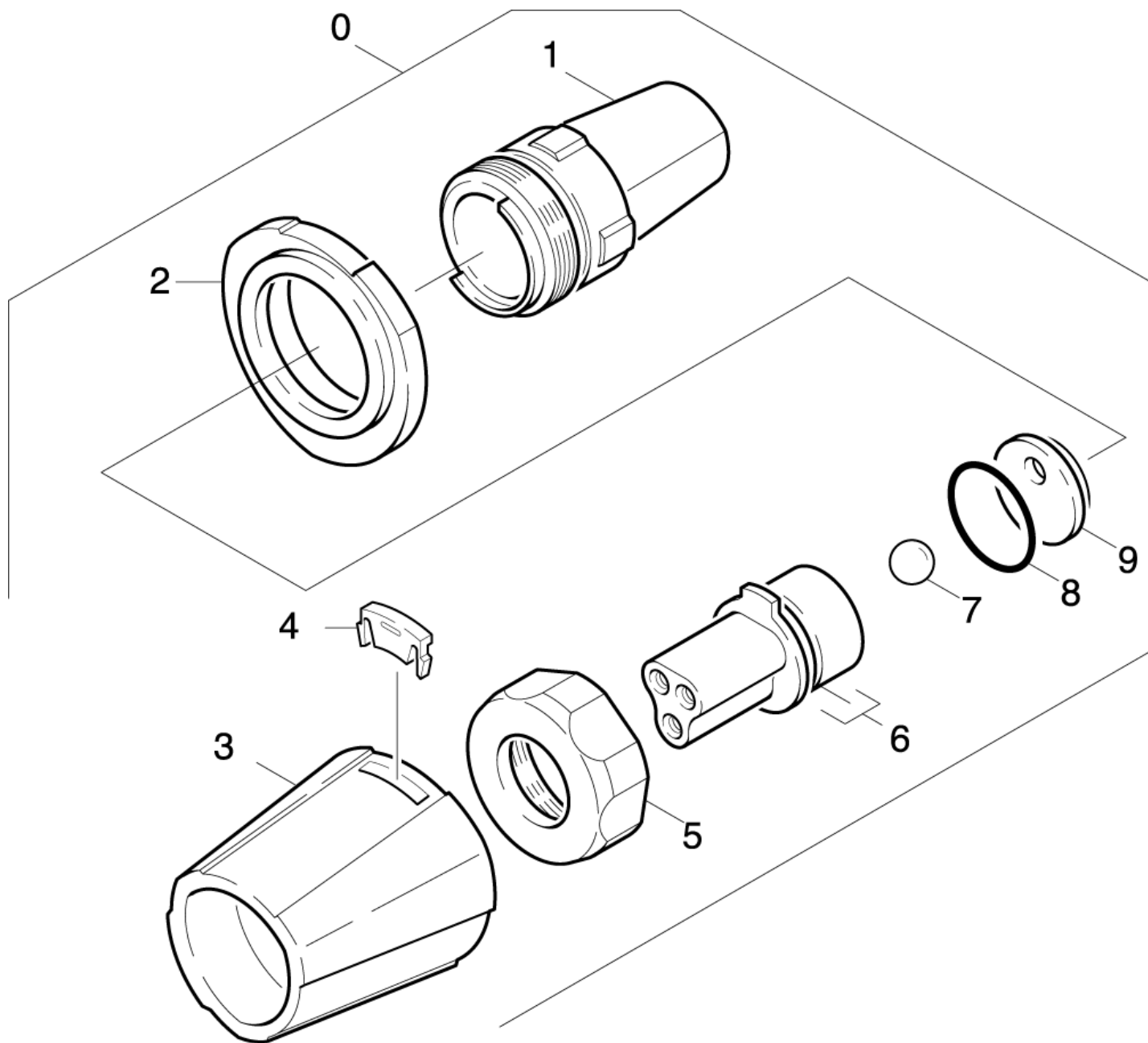


1 Jet pipe packaged only for replacement (4.760-660.0)

POS	Article no.	Description	Quantity	Unit
3	5.321-855.0	Handhold few jet pipe with welding bolt	1.000	ST
12	7.303-129.0	Screw 4x16 -10.9-R2R (K-In6Rd)	6.000	ST
13	4.363-692.0	Grooved ring kpl. -nur fuer Ersatz-	1.000	ST
14	5.401-210.0	Screw connector part	1.000	ST
15	6.362-524.0	O-Ring seal 17,0 X 1,5	1.000	ST
17	2.880-990.0	Spare part set O-Ring 5x -Kaercher	1.000	ST
18	7.401-915.0	Sphere 2,5 G40 -1.4034 DIN 5401	1.000	ST

14 Screw connector part (5.401-210.0)

POS	Article no.	Description	Quantity	Unit
10	9.369-041.0	SCREW CONNECTOR PART	1.000	ST



46 Triple jet nozzle

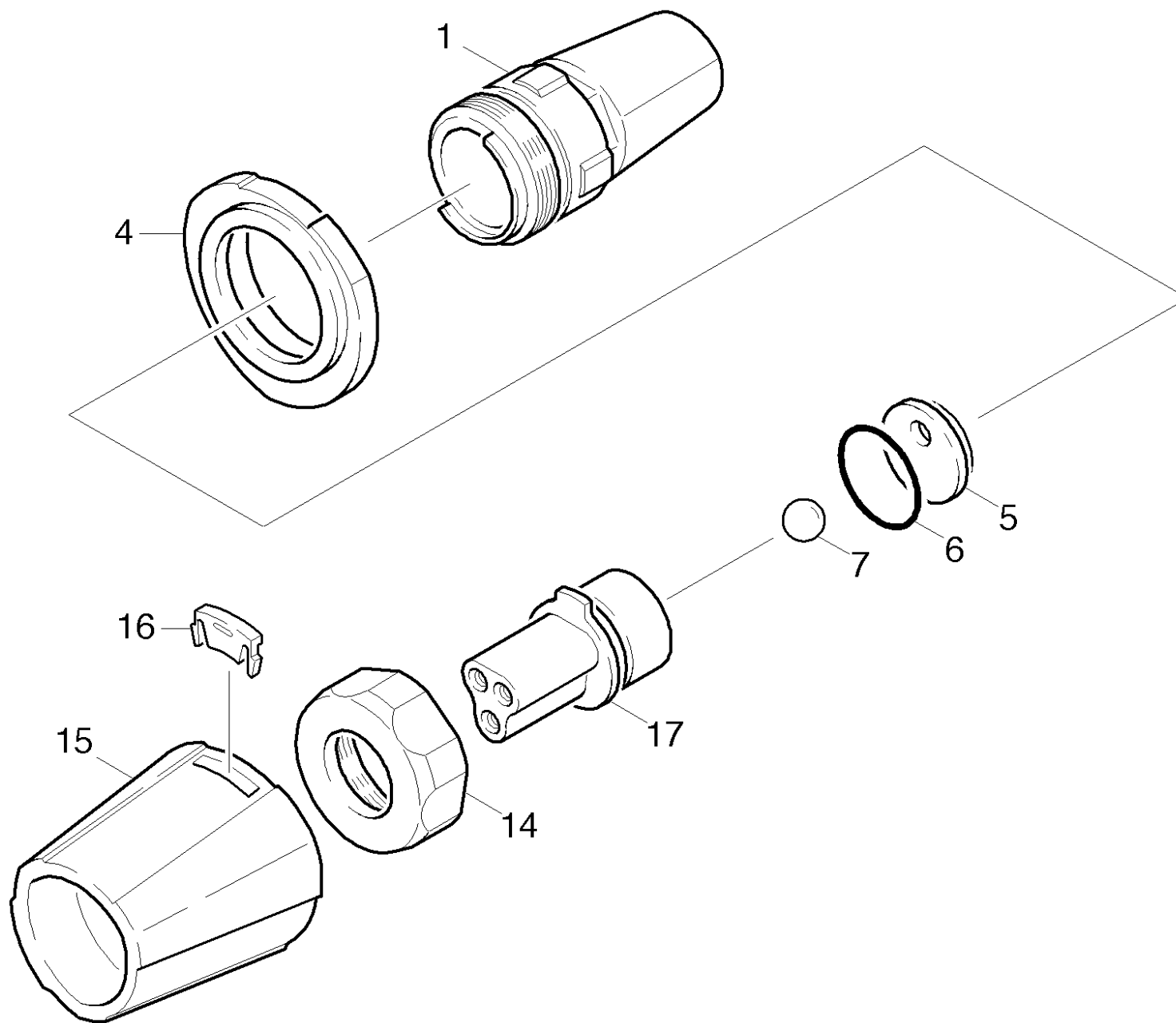
POS	Article no.	Description	Quantity	Unit
0	4.767-069.0	Triple jet nozzle 120	1.000	ST
1	4.060-395.0	Housing complete only for replacement	1.000	ST
2	5.394-401.0	Protection part	1.000	ST
3	5.394-402.0	Protection part	1.000	ST
4	5.031-709.0	Moulded part	1.000	ST
5	5.311-192.0	Union nut	1.000	ST
6	7.777-999.0	Stockpiling discontinued	1.000	ST
7	7.401-917.0	Sphere 10,0 G100-1.4301 DIN 5401	1.000	ST
8	6.363-612.0	O-Ring seal 22 x 2 -NBR90	1.000	ST
9	5.031-370.0	Moulded part	1.000	ST

Triple jet nozzle 120 (4.767-069.0)

POS	Article no.	Description	Quantity	Unit
20	5.970-000.0	Spare parts list triple jet nozzle	1.000	ST
	Item text2: 47670690			

20 Spare parts list triple jet nozzle (5.970-000.0)

POS	Description	Quantity	Unit
10	Triple jet nozzle	1.000	ST

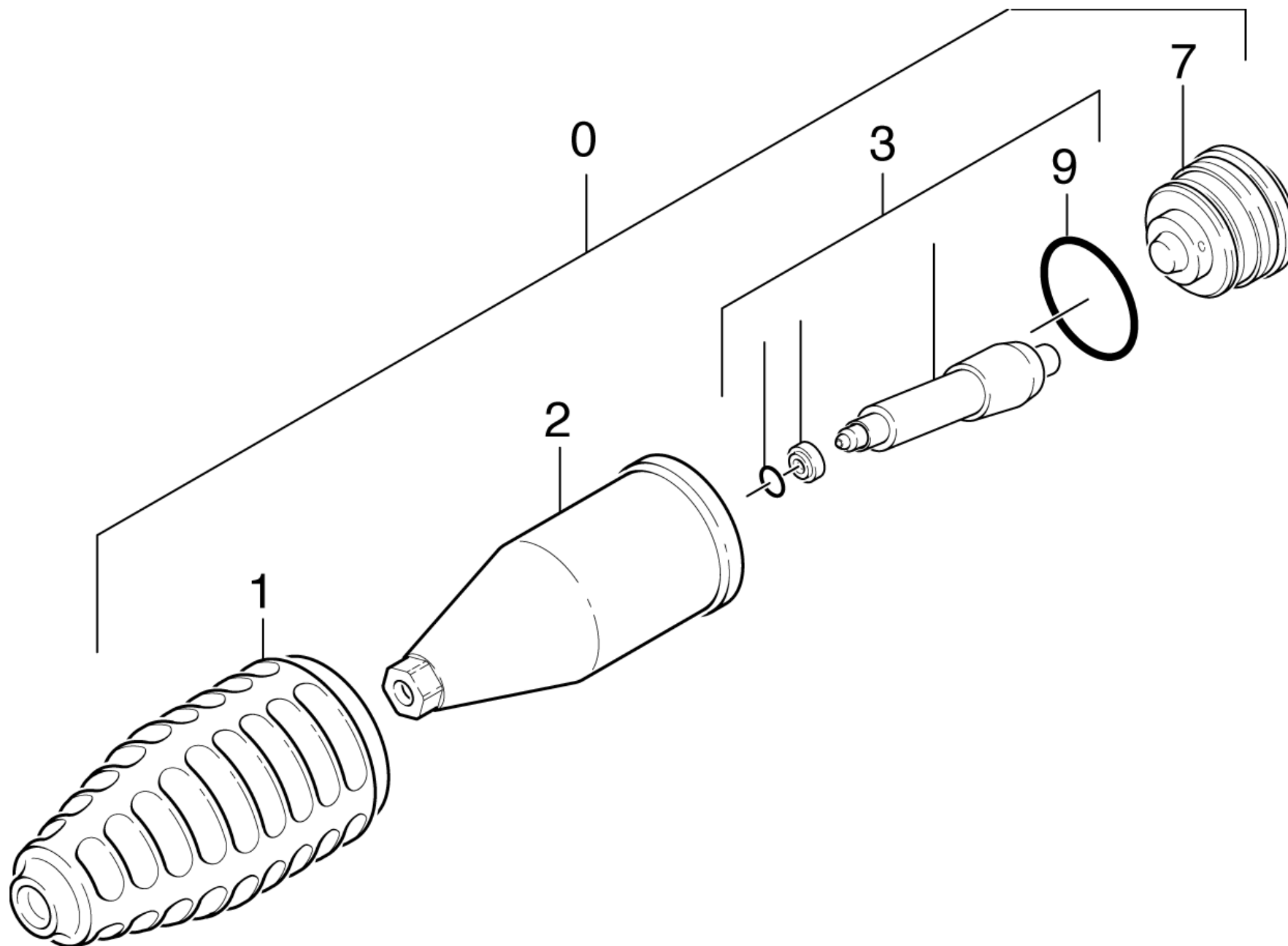


10 Triple jet nozzle

POS	Article no.	Description	Quantity	Unit	Remark
1	4.060-395.0	Housing complete only for replacement	1.000	ST	
4	5.394-401.0	Protection part	1.000	ST	
5	5.031-370.0	Moulded part	1.000	ST	
6	6.363-612.0	O-Ring seal 22 x 2 -NBR90	1.000	ST	
7	7.401-917.0	Sphere 10,0 G100-1.4301 DIN 5401	1.000	ST	
14	5.311-192.0	Union nut	1.000	ST	
15	5.394-402.0	Protection part	1.000	ST	
16	5.031-709.0	Moulded part	1.000	ST	
17	4.764-173.0	Nozzle holder 0100	1.000	ST	4.767-106.0
17	7.777-999.0	Stockpiling discontinued	1.000	ST	4.767-067.0/-069.0
17	4.764-169.0	Nozzle holder 09	1.000	ST	4.767-075.0
17	4.764-161.0	Nozzle holder 08	1.000	ST	4.767-068.0
17	4.764-158.0	Nozzle holder 05	1.000	ST	4.767-065.0
17	4.764-159.0	Nozzle holder 055	1.000	ST	4.767-066.0
17	4.764-157.0	Nozzle holder 047	1.000	ST	4.767-064.0

17 Nozzle holder 055 (4.764-159.0)

POS	Article no.	Description	Quantity	Unit
1	5.031-597.0	Rectifier	2.000	ST
	Item text2: 47641590			
7	6.362-661.0	O-Ring seal 5,0 X 1,0-NBR 80	3.000	ST
	Item text2: 47641590			
8	6.363-612.0	O-Ring seal 22 x 2 -NBR90	1.000	ST
	Item text2: 47641590			



47 Dirt blaster

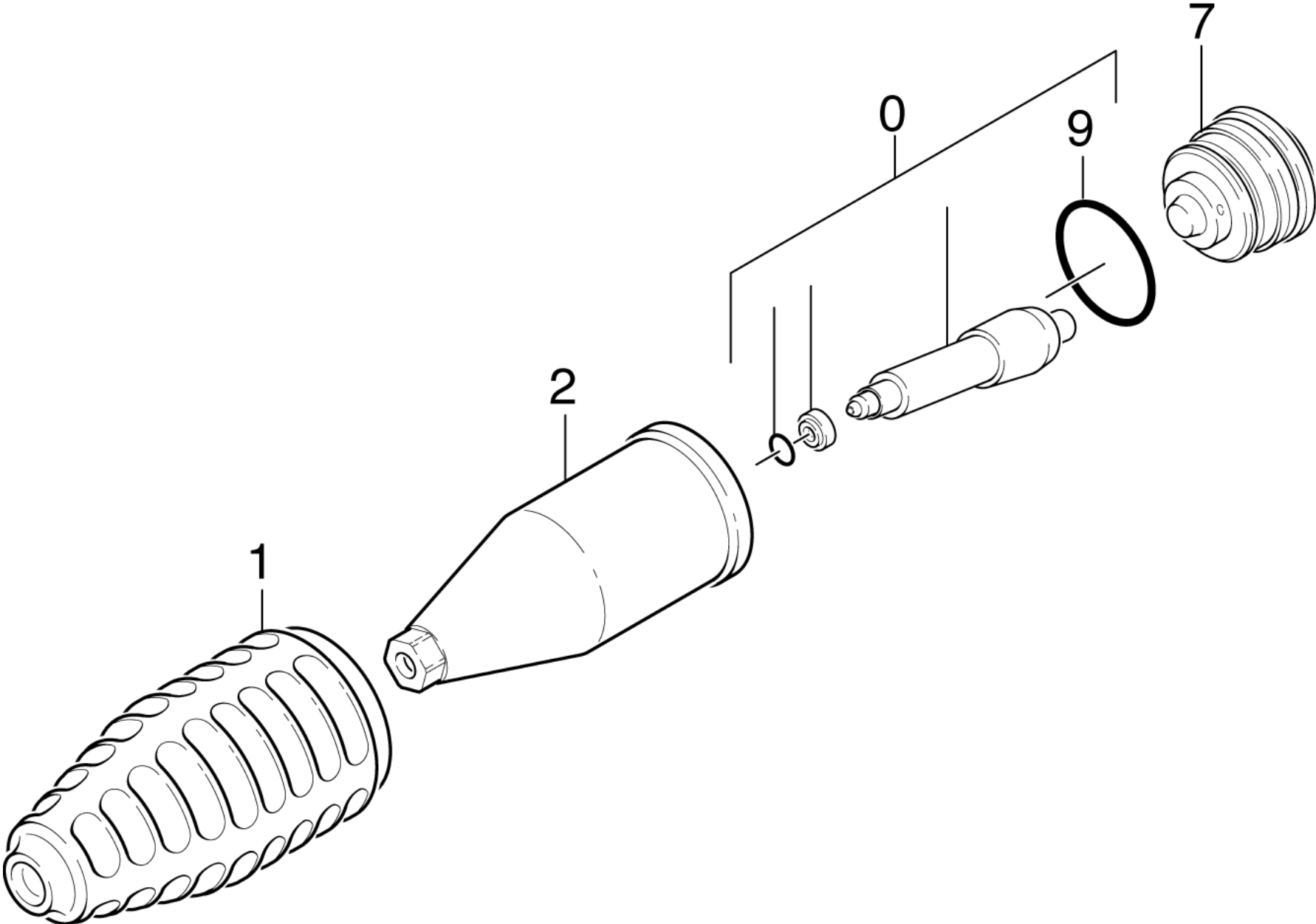
POS	Article no.	Description	Quantity	Unit
0	4.763-930.0	Dirt blaster 120	1.000	ST
1	5.394-375.0	Protection part	1.000	ST
2	5.060-500.3	Housing	1.000	ST
3	2.884-051.0	Spare part set dirt blaster 120	1.000	ST
7	5.063-708.0	Cover	1.000	ST
9	6.362-463.0	O-Ring seal 28,0 X 2,0-NBR 78	1.000	ST

Dirt blaster 120 (4.763-930.0)

POS	Article no.	Description	Quantity	Unit
11	5.955-641.0	Spare parts list dirt blaster	1.000	ST

11 Spare parts list dirt blaster (5.955-641.0)

POS	Description	Quantity	Unit
10	Dirt blaster	1.000	ST

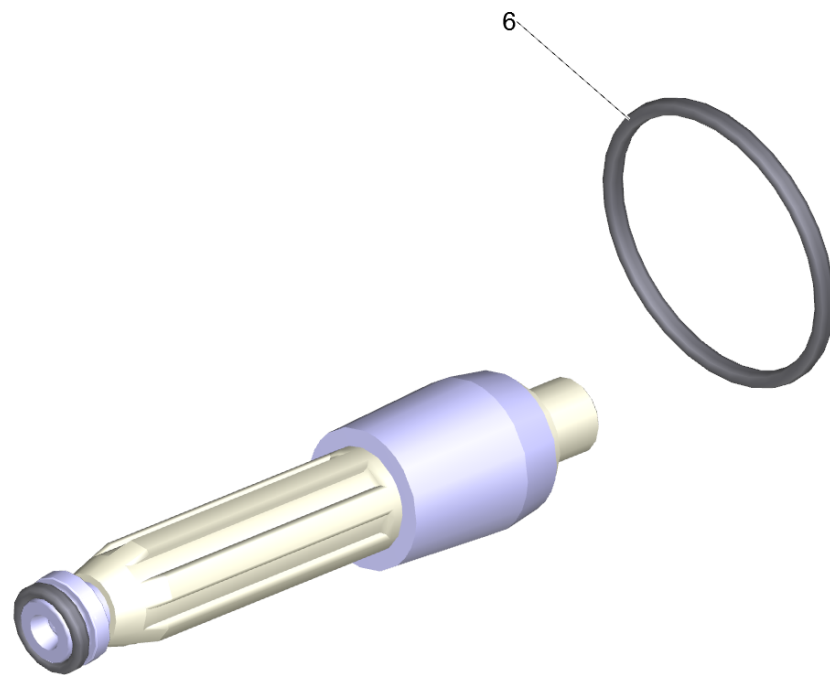


10 Dirt blaster

POS	Article no.	Description	Quantity	Unit	Remark
0	2.884-113.0	Spare part set dirt blaster 045	1.000	ST	4.763-988.0
		Item text1: / 4.763-988.0			
0	2.884-052.0	Spare part set dirt blaster 035	1.000	ST	4.763-931.0
		Item text1: / 4.763-931.0			
0	2.884-114.0	Spare part set dirt blaster 065	1.000	ST	4.763-989.0
		Item text1: / 4.763-989.0			
0	2.884-316.0	Spare part set dirt blaster 09	1.000	ST	
		Item text1: / 4.767-076.0			
0	2.881-025.0	Spare part set rotor 170	1.000	ST	4.764-201.0
0	2.884-051.0	Spare part set dirt blaster 120	1.000	ST	4.763-930.0
		Item text1: / 4.763-930.0			
0	2.885-196.0	Spare parts set rotor 100	1.000	ST	4.764-208.0
0		Spare part set rotor 125	1.000	ST	4.764-204.0
0	2.883-471.0	Spare part set dirt blaster 04-HD 1050	1.000	ST	4.763-252.0
		Item text1: / 4.763-252.0			
0	2.883-472.0	Spare part set dirt blaster 05	1.000	ST	4.763-253.0
		Item text1: / 4.763-253.0			
0	2.883-473.0	Spare part set dirt blaster 055/06	1.000	ST	4.763-250.0
		Item text1: / 4.763-250.0			
0	2.883-474.0	Spare part set dirt blaster 07/08-HDS 8	1.000	ST	4.763-254.0
		Item text1: / 4.763-254.0			
1	5.394-375.0	Protection part	1.000	ST	
2	5.060-500.3	Housing	1.000	ST	
7	5.063-709.0	Cover	1.000	ST	
		Item text1: / 4.763-931.0			
7	5.064-357.0	Cover high-pressure 25/15-4	1.000	ST	4.764-201.0 / 4.764-208.0
7		Cover high-pressure 20/15	1.000	ST	4.764-204.0
7	5.063-708.0	Cover	1.000	ST	
		Item text1: / 4.763-930.0			
7	5.063-618.0	Cover DGR F 055/F 06	1.000	ST	4.763-250/-938
		Item text1: / 4.763-250.0			
7	5.063-626.0	Cover DGR F 04	1.000	ST	4.763-252/-936
		Item text1: / 4.763-252.0			

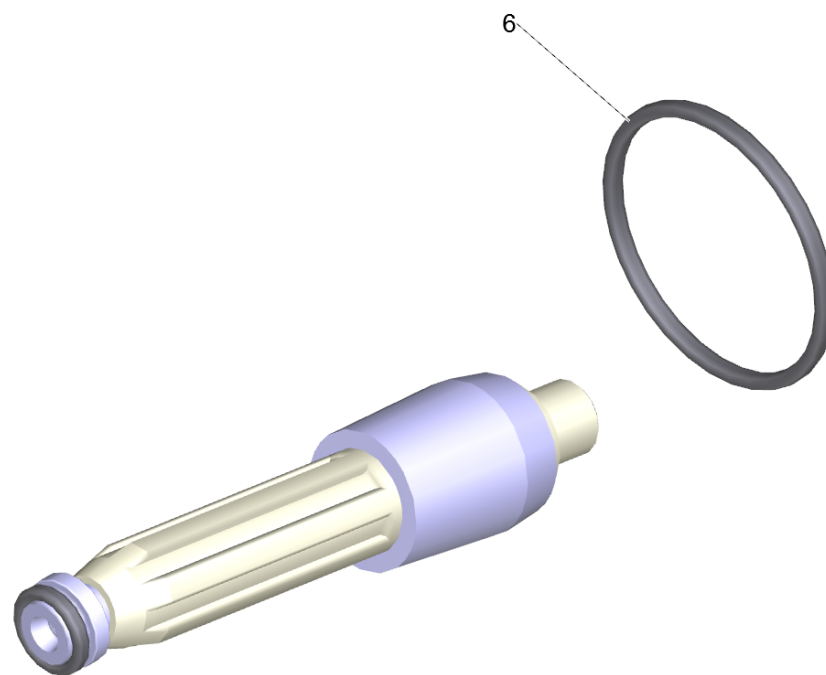
10 Dirt blaster

POS	Article no.	Description	Quantity	Unit	Remark
7	5.063-647.0	Cover DGR F 05	1.000	ST	
	Item text1: / 4.763-253.0				
7	5.063-648.0	Cover DGR F 70/F 08	1.000	ST	
	Item text1: / 4.763-254.0 / 4.767-076.0				
9	6.362-463.0	O-Ring seal 28,0 X 2,0-NBR 78	1.000	ST	



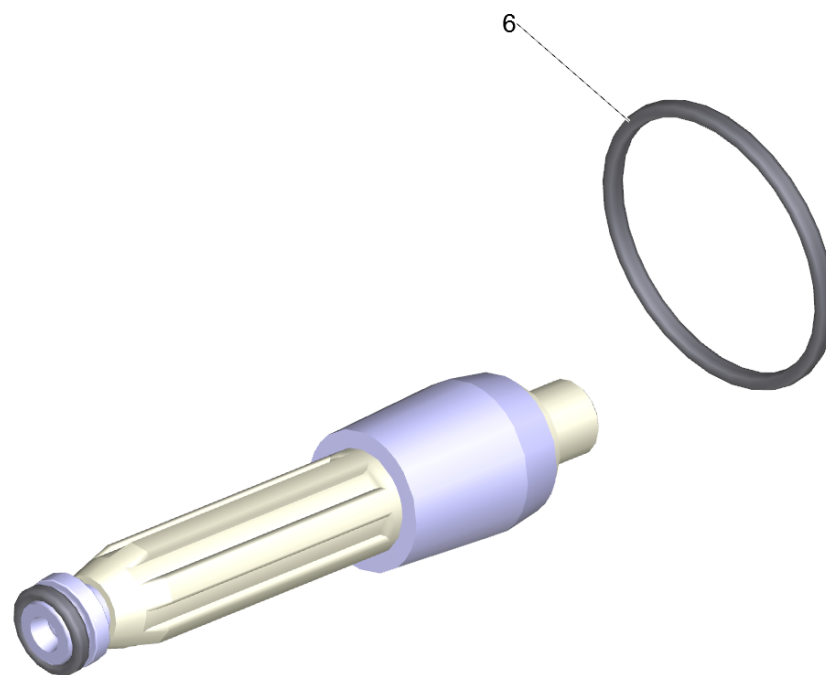
Spare part set rotor 170 (2.881-025.0)

POS	Article no.	Description	Quantity	Unit
6	6.362-463.0	O-Ring seal 28,0 X 2,0-NBR 78	1.000	ST



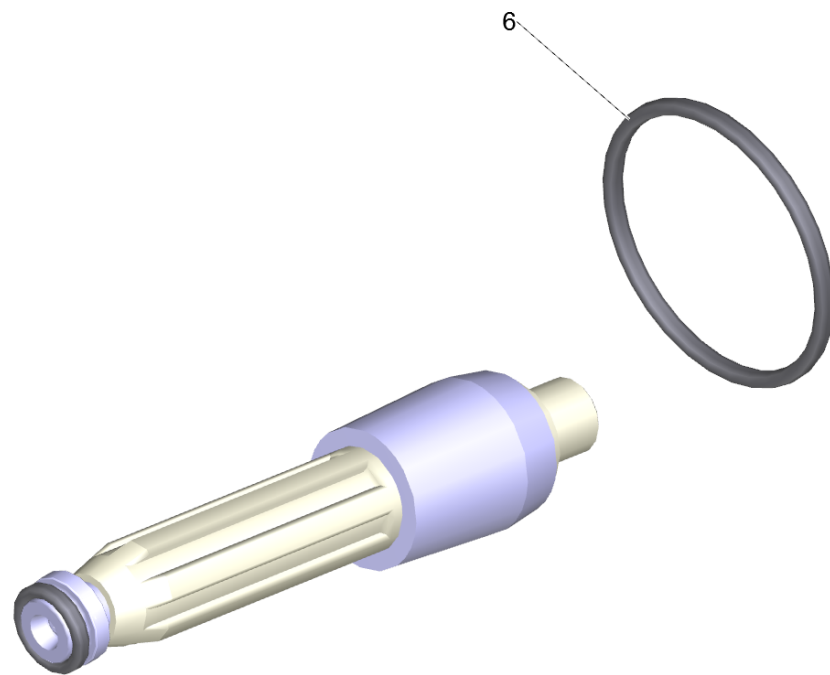
Spare part set dirt blaster 04-HD 1050 (2.883-471.0)

POS	Article no.	Description	Quantity	Unit
6	6.362-463.0	O-Ring seal 28,0 X 2,0-NBR 78	1.000	ST



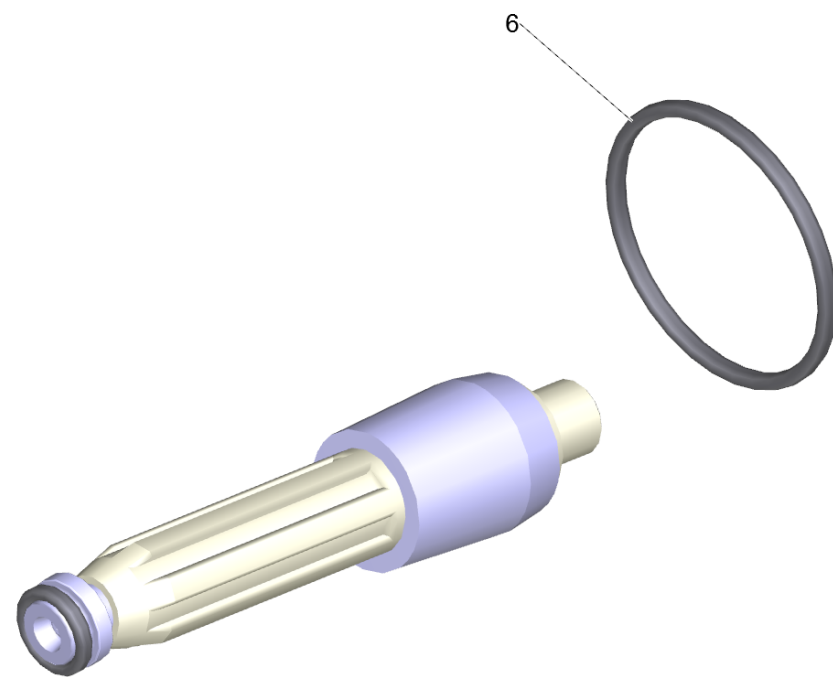
Spare part set dirt blaster 05 (2.883-472.0)

POS	Article no.	Description	Quantity	Unit
6	6.362-463.0	O-Ring seal 28,0 X 2,0-NBR 78	1.000	ST



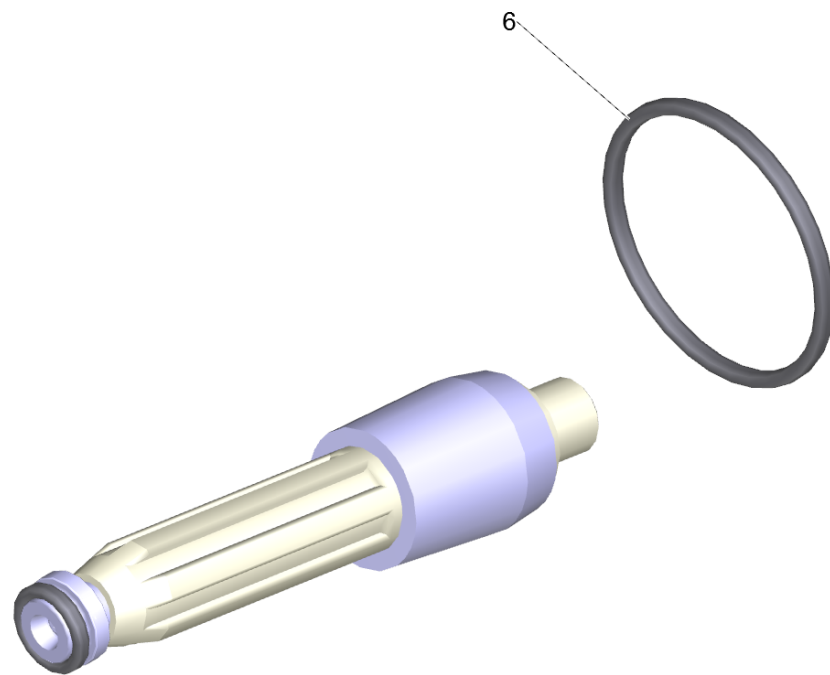
Spare part set dirt blaster 055/06 (2.883-473.0)

POS	Article no.	Description	Quantity	Unit
6	6.362-463.0	O-Ring seal 28,0 X 2,0-NBR 78	1.000	ST



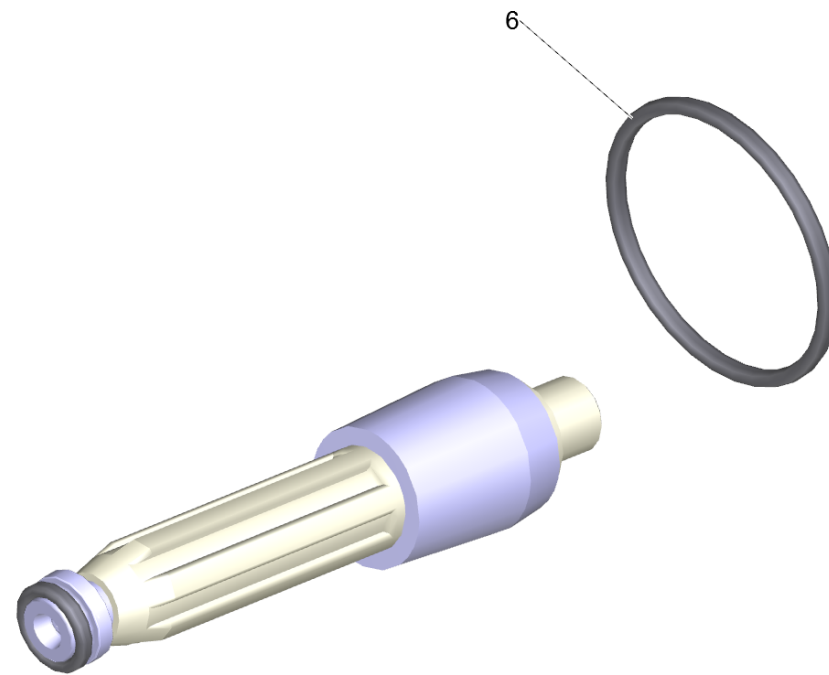
Spare part set dirt blaster 07/08-HDS 8 (2.883-474.0)

POS	Article no.	Description	Quantity	Unit
6	6.362-463.0	O-Ring seal 28,0 X 2,0-NBR 78	1.000	ST



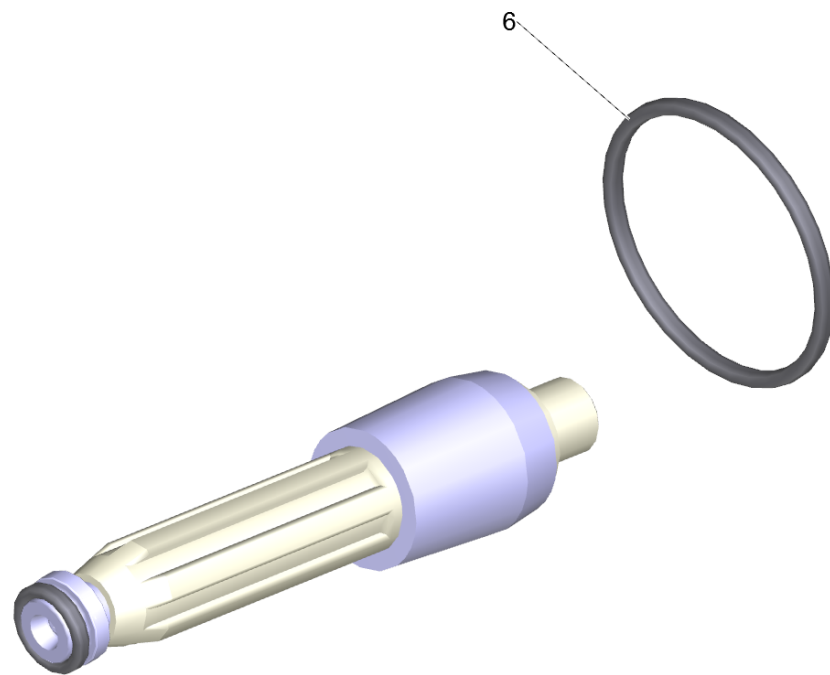
Spare part set dirt blaster 120 (2.884-051.0)

POS	Article no.	Description	Quantity	Unit
6	6.362-463.0	O-Ring seal 28,0 X 2,0-NBR 78	1.000	ST



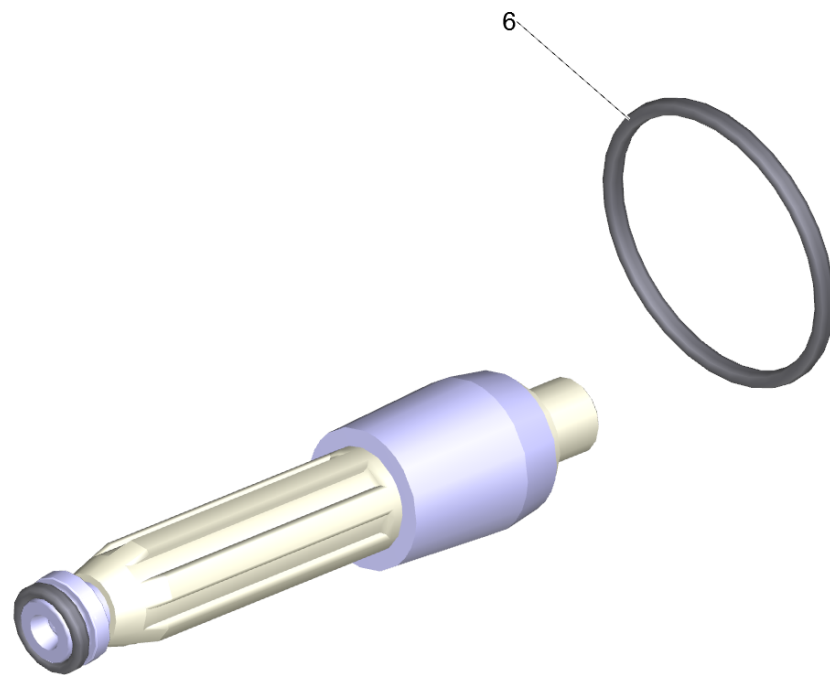
Spare part set dirt blaster 035 (2.884-052.0)

POS	Article no.	Description	Quantity	Unit
6	6.362-463.0	O-Ring seal 28,0 X 2,0-NBR 78	1.000	ST



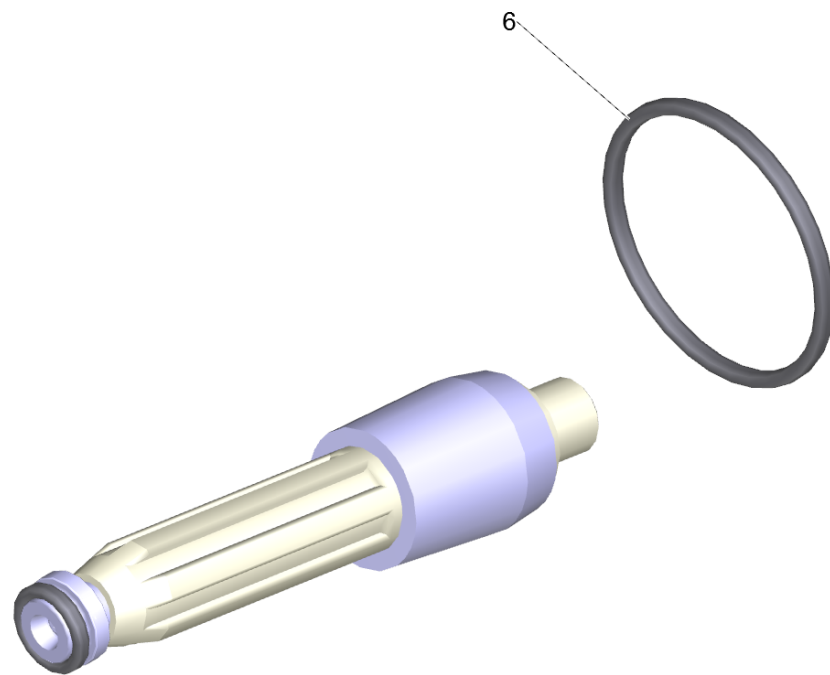
Spare part set dirt blaster 045 (2.884-113.0)

POS	Article no.	Description	Quantity	Unit
6	6.362-463.0	O-Ring seal 28,0 X 2,0-NBR 78	1.000	ST



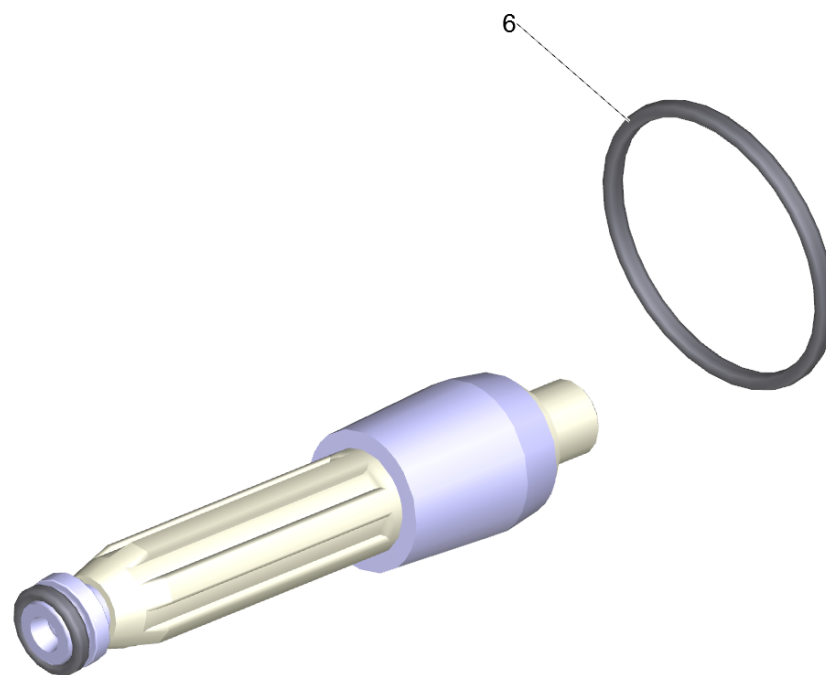
Spare part set dirt blaster 09 (2.884-316.0)

POS	Article no.	Description	Quantity	Unit
6	6.362-463.0	O-Ring seal 28,0 X 2,0-NBR 78	1.000	ST



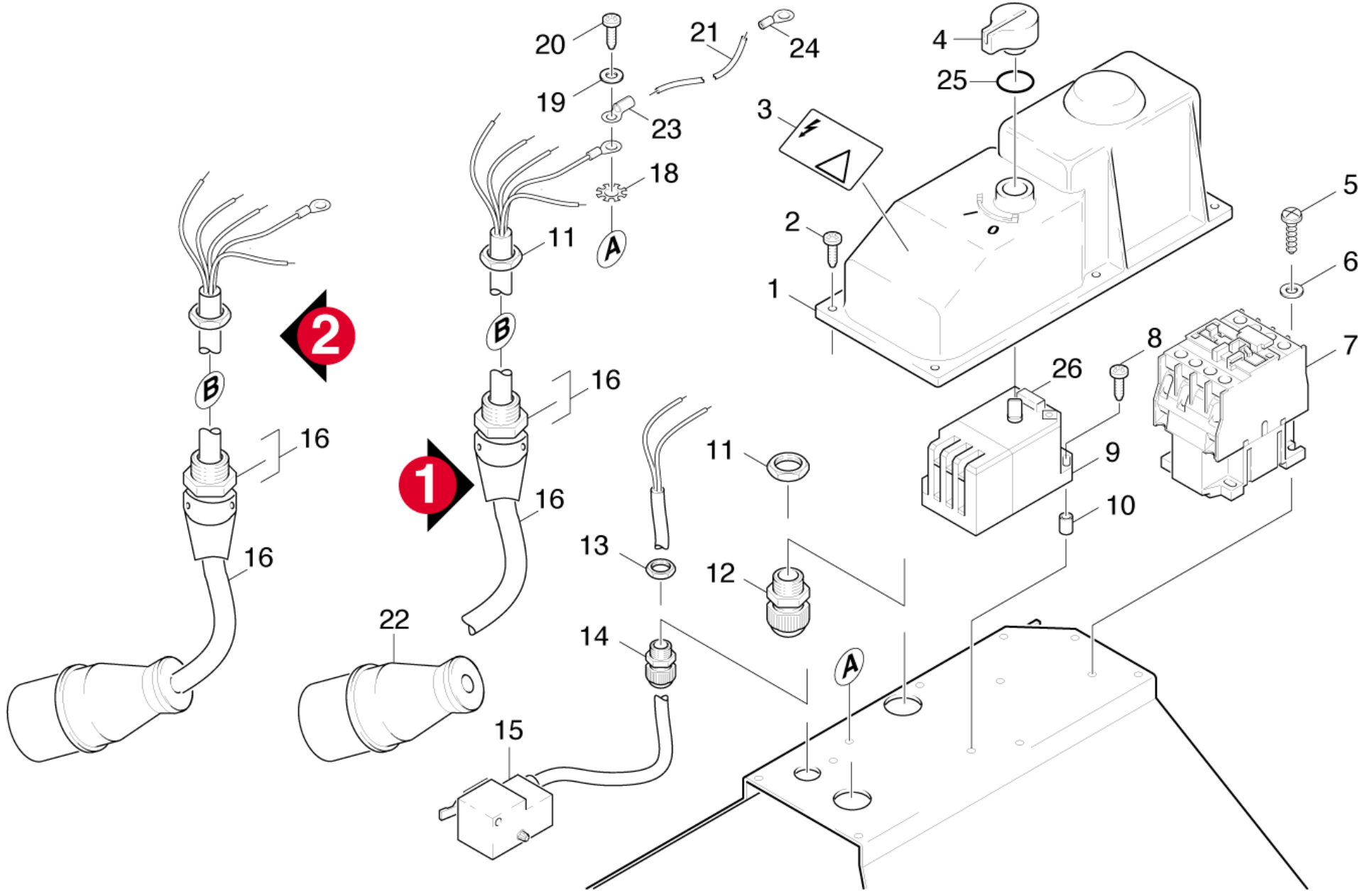
Spare parts set rotor 100 (2.885-196.0)

POS	Article no.	Description	Quantity	Unit
6	6.362-463.0	O-Ring seal 28,0 X 2,0-NBR 78	1.000	ST



3 Spare part set dirt blaster 120 (2.884-051.0)

POS	Article no.	Description	Quantity	Unit
6	6.362-463.0	O-Ring seal 28,0 X 2,0-NBR 78	1.000	ST



50 Electric control box

POS	Article no.	Description	Quantity	Unit	Remark
1	5.067-999.0	Cover	1.000	ST	
2	7.303-030.0	Screw M4x8 -St-P2R (In6Rd)	6.000	ST	
3	5.388-512.0	Label	1.000	ST	
4	5.321-556.0	Handhold	1.000	ST	
5	7.303-032.0	Screw M4x12 -St-R2R (In6Rd)	2.000	ST	
6	7.312-067.0	Washer 4-A2 ISO 7089	2.000	ST	
7	6.632-355.0	Contactor	1.000	ST	
	Item text1: / 1.367-102.0				
7	2.885-131.0	Contactor -nur fuer Ersatz-	1.000	ST	
	Item text1: / 1.367-101.0				
8	7.303-035.0	Screw M4x30 -St-R2R (In6Rd)	2.000	ST	
9	6.631-428.0	Motor protecting switch -22-27A	1.000	ST	
	Item text1: / 1.367-102.0				
9	6.631-196.0	Motor protecting switch	1.000	ST	
	Item text1: / 1.367-101.0				
10	6.347-076.0	Spacer sleeve	2.000	ST	
11	6.641-370.0	Locknut PG16-PA DIN 46320	2.000	ST	
12	6.641-356.0	Cable gland PG16	1.000	ST	
13	6.641-366.0	Locknut PG 9	1.000	ST	
14	6.641-355.0	Cable gland PG9	1.000	ST	
15	6.630-224.0	Micro switch	1.000	ST	
16	6.647-728.0	Cable with plug 32A 4x4mm ² x5,5m	1.000	ST	VERSION 2
	Item text1: / 1.367-102.0				
16	6.641-589.0	Cable	1.000	ST	VERSION 1
	Item text1: / 1.367-101.0				
18	7.312-172.0	Toothed lock washer A5,3-FSt-A3E DIN 67	1.000	ST	
19	7.312-002.0	Washer 5-200HV-A3E ISO 7089	1.000	ST	
20	7.303-328.0	Screw M5x8 -St-flZn/nc480h/C (In6Rd)	1.000	ST	
21	6.641-807.0	Cable green/yellow 4,0mm ² -H07V-K	1.000	M	
	Item text1: / 1.367-102.0				
21	6.641-050.0	Cable gnge 1x2,5mm ²	1.000	M	
22	6.646-030.0	Plug CEE ,16A,400V,5p,IP44	1.000	ST	
	Item text1: / 1.367-101.0				

50 Electric control box

POS	Article no.	Description	Quantity	Unit	Remark
23	6.647-093.0	Cable lug 2,5-6	1.000	ST	
	Item text1: / 1.367-102.0				
23	6.641-229.0	Cable lug M5	1.000	ST	
24	6.641-262.0	Cable lug	1.000	ST	
24	6.641-259.0	Cable lug M8 x 6, gelb	1.000	ST	
	Item text1: / 1.367-102.0				
25	6.472-112.0	O-Ring seal 10,0 x 2,4 NBR 70	1.000	ST	
26	6.630-049.0	Cap	1.000	ST	