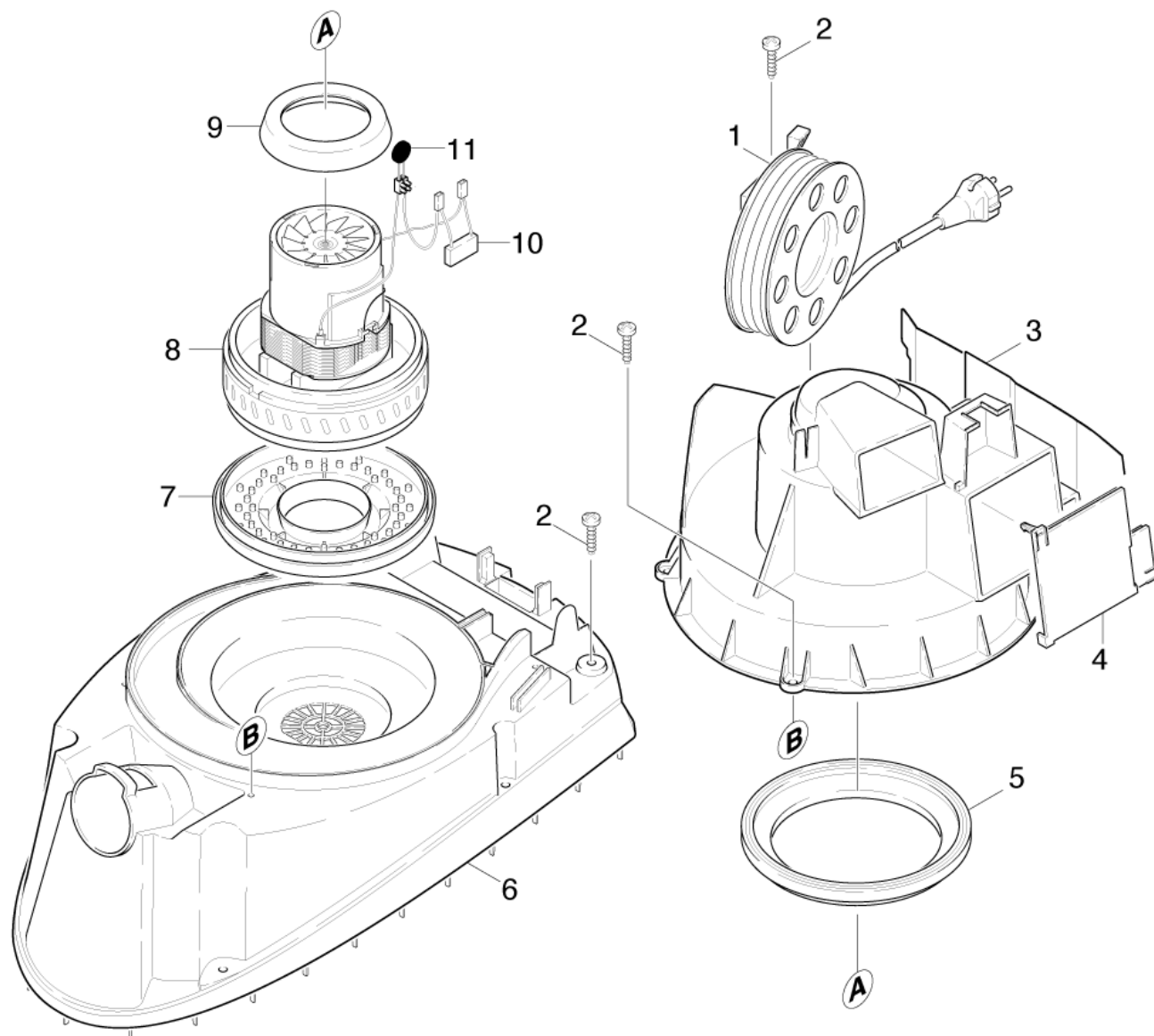


20 Motor

Overview technical documents/Home & Garden/Vacuum cleaner/Dry vacuum cleaner/DS 5500. (1.195-120.0)/Spare parts list K 5500/20 Motor



20 Motor

Overview technical documents/Home & Garden/Vacuum cleaner/Dry vacuum cleaner/DS 5500. (1.195-120.0)/Spare parts list K 5500/20 Motor

Poz.	Materiāla Nr.	Nosaukums	Daudzums	Pārdoš. vienība	no sēr. Nr..	līdz sēr. Nr.
1	6.649-128.0	Cable automatic *Au	1.000	ST	0000000000	0000000000
Pozīcijas teksts: / 1.195-103.0						
1	6.650-111.0	Cable automatic *CH	1.000	ST	0000000000	0000000000
Pozīcijas teksts: / 1.195-102.0						
1	6.648-890.0	Cable automatic PRC	1.000	ST	0000000000	0000000000
Pozīcijas teksts: / 1.195-114.0						
1	6.648-816.0	CABLE DRUM K5500 *	1.000	ST	0000000000	0000000000
Pozīcijas teksts: / 1.195-105.0 / -107.0						
1	6.648-504.0	Cable automatic *GB	1.000	ST	0000000000	0000000000
Pozīcijas teksts: / 1.195-104.0 / -109.0 / -115.0						
1	6.648-627.0	Cable automatic *AR	1.000	ST	0000000000	0000000000
Pozīcijas teksts: / 1.195-108.0						
1	6.648-132.0	Kabeļu automātika *EU	1.000	ST	0000000000	0000000000
Pozīcijas teksts: / 1.195-101.0 / -110.0 / -111.0/ -116.0 / -117.0 / -119.0 / -120.0						
2	7.303-038.0	Screw M6x20 -St-R3R (In6Rd)	7.000	ST	0000000000	0000000000
3	5.053-107.0	Covering cap motor	1.000	ST	0000000000	0000000000
4	5.006-214.0	Covering cap cooling air	1.000	ST	0000000000	0000000000
5	5.363-493.0	Seal working air	1.000	ST	0000000000	0000000000
6	4.053-214.0	Motor bracket only for replacement K5500	1.000	ST	0000000000	0000000000
7	5.363-494.0	Bearing blower	1.000	ST	0000000000	0000000000
8	6.490-168.0	Vakuuma turbīna	1.000	ST	0000000000	0000000000
Pozīcijas teksts: / 1.195-103.0 / -104.0 / -109.0/ -115.0						
8	6.490-159.0	Vacuum motor 230V	1.000	ST	0000000000	0000000000
Pozīcijas teksts: / 1.195-101.0 / -102.0 / -108.0 / -110.0 / -111.0 / -114.0 / -116.0 / -117.0 / -119.0 / -120.0						
8	6.490-154.0	Vacuum motor 120V 1200W *USA	1.000	ST	0000000000	0000000000
Pozīcijas teksts: / 1.195-105.0 / -107.0						

20 Motor

Overview technical documents/Home & Garden/Vacuum cleaner/Dry vacuum cleaner/DS 5500. (1.195-120.0)/Spare parts list K 5500/20 Motor

Poz.	Materiāla Nr.	Nosaukums	Daudzums	Pārdoš. vienība	no sēr. Nr..	līdz sēr. Nr.
9	5.363-395.0	Blīve	1.000	ST	0000000000	0000000000
10	6.648-326.0	Cable	1.000	ST	0000000000	0000000000
11	6.652-034.0	Resistor NTC	1.000	ST	0000000000	0000000000