

## **Spare parts list**

(1.033-301.0) CV 36/2 \*EU

## Table of contents

---

CV 36/2 *EU (1.033-301.0)	3
Spare parts list CV 36/2 (5.970-291.0)	4
10 Top part	5
11 Appliance individual parts	6
12 Cover	8
13 Handhold complete	10
20 Motor	12
30 Brush-head	14
31 Brush-head top part	15
32 Brush-head bottom part	17
40 Accessories	20
41 Wearing parts set	21
42 Micro filter	23

<b>POS</b>	<b>Article no.</b>	<b>Description</b>	<b>Quantity</b>	<b>Unit</b>
0	5.970-291.0	Spare parts list CV 36/2	1.000	ST

Spare parts list CV 36/2 (5.970-291.0)

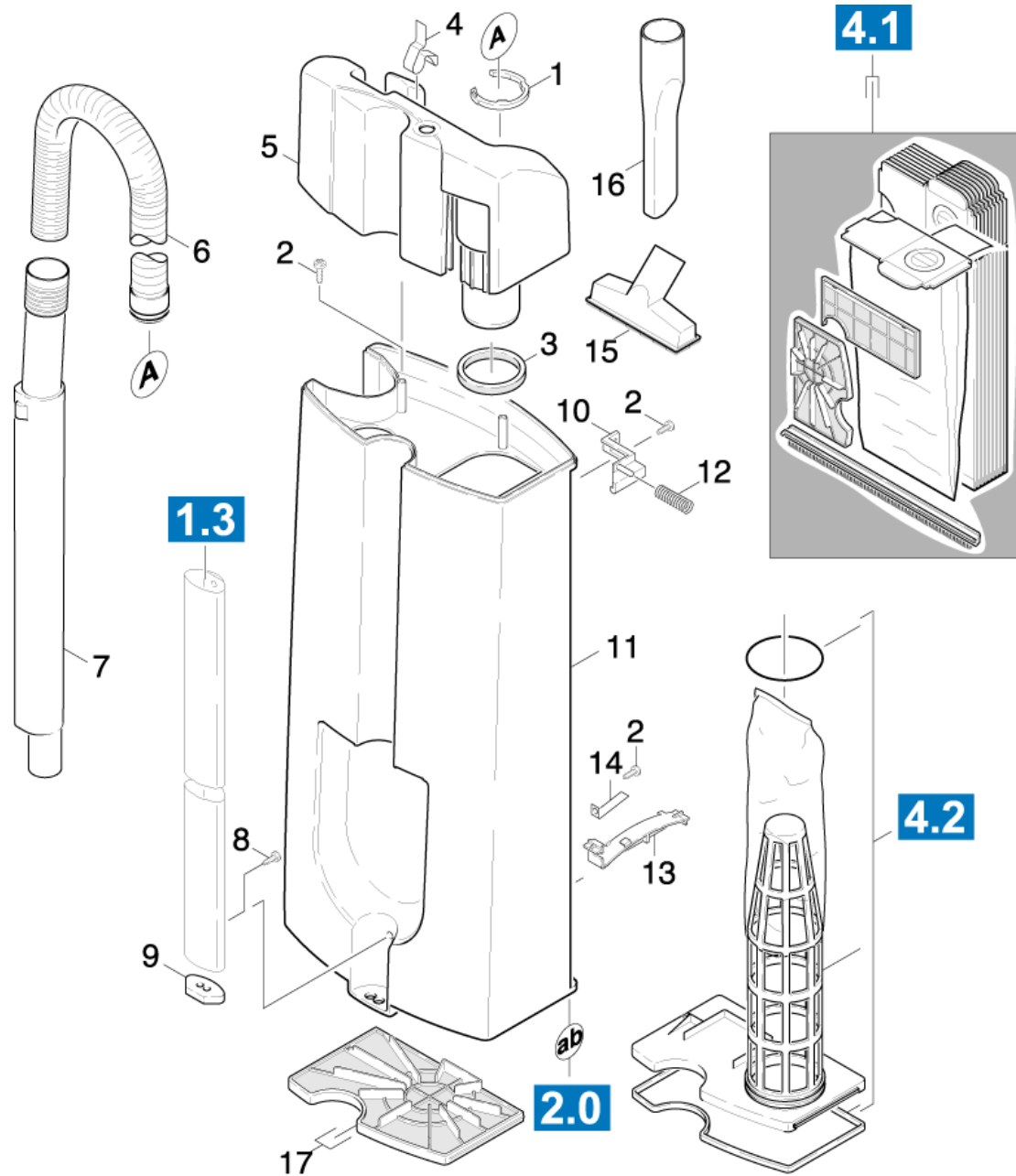
---

<b>POS</b>	<b>Description</b>	<b>Quantity</b>	<b>Unit</b>
10	Top part	1.000	ST
20	Motor	1.000	ST
30	Brush-head	1.000	ST
40	Accessories	1.000	ST

## 10 Top part

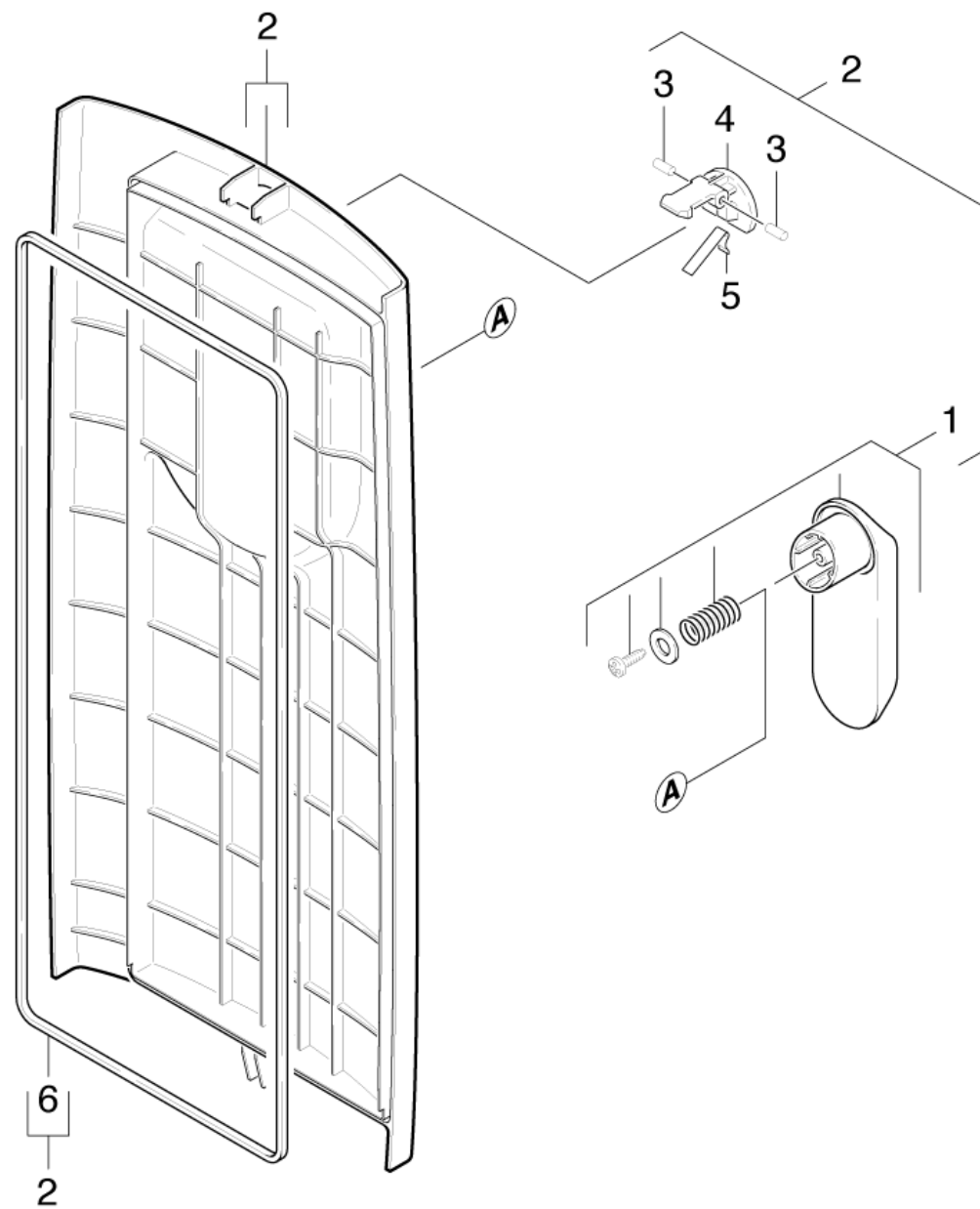
---

<b>POS</b>	<b>Description</b>	<b>Quantity</b>	<b>Unit</b>
11	Appliance individual parts	1.000	ST
12	Cover	1.000	ST
13	Handhold complete	1.000	ST



## 11 Appliance individual parts

POS	Article no.	Description	Quantity	Unit
1	5.031-011.0	Locking ring	1.000	ST
2	7.303-116.0	Screw 4x12-A2-70 (IN6RD)	6.000	ST
3	6.362-860.0	Seal	1.000	ST
4	7.777-999.0	Stockpiling discontinued	1.000	ST
5	5.060-660.0	Housing accessories yellow	1.000	ST
6	6.390-253.0	Suction hose DN32	1.000	ST
7	5.029-293.0	Suction tube	1.000	ST
8	7.303-031.0	Screw M4x10 -St-P2R (In6Rd)	7.000	ST
9	5.363-351.0	Seal	1.000	ST
10	5.031-012.0	Retaining clip filter bag	1.000	ST
11	5.060-775.0	Housing yellow	1.000	ST
12	5.332-361.0	Helical spring	1.000	ST
13	5.042-836.0	Holder filter	1.000	ST
14	5.332-339.0	Spring	1.000	ST
15	6.905-998.0	Upholstery nozzle complete NW35	1.000	ST
16	6.905-531.0	Crevice nozzle DN35	1.000	ST
17	5.731-047.0	Filter motor protecting	1.000	ST

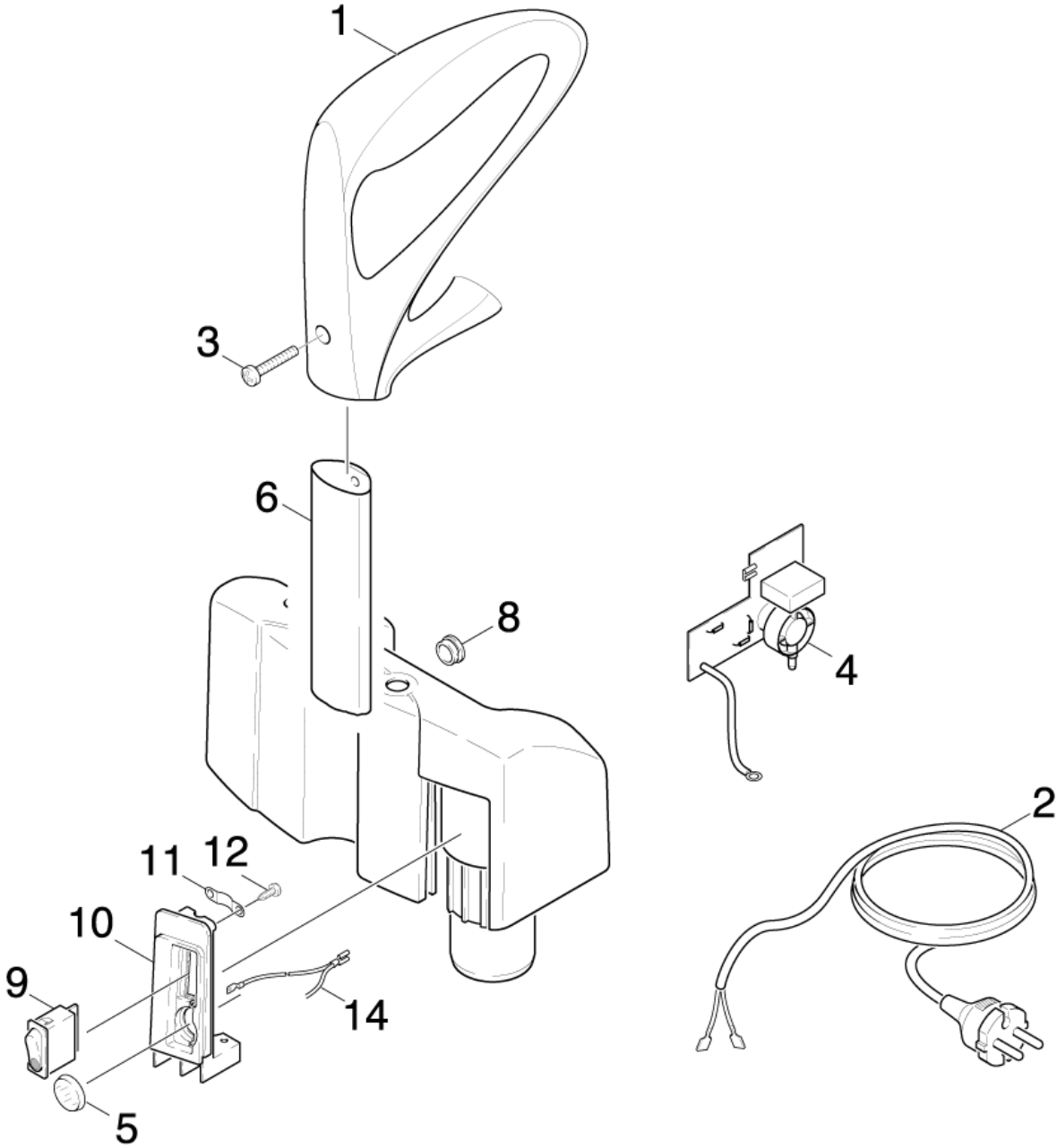




## 12 Cover

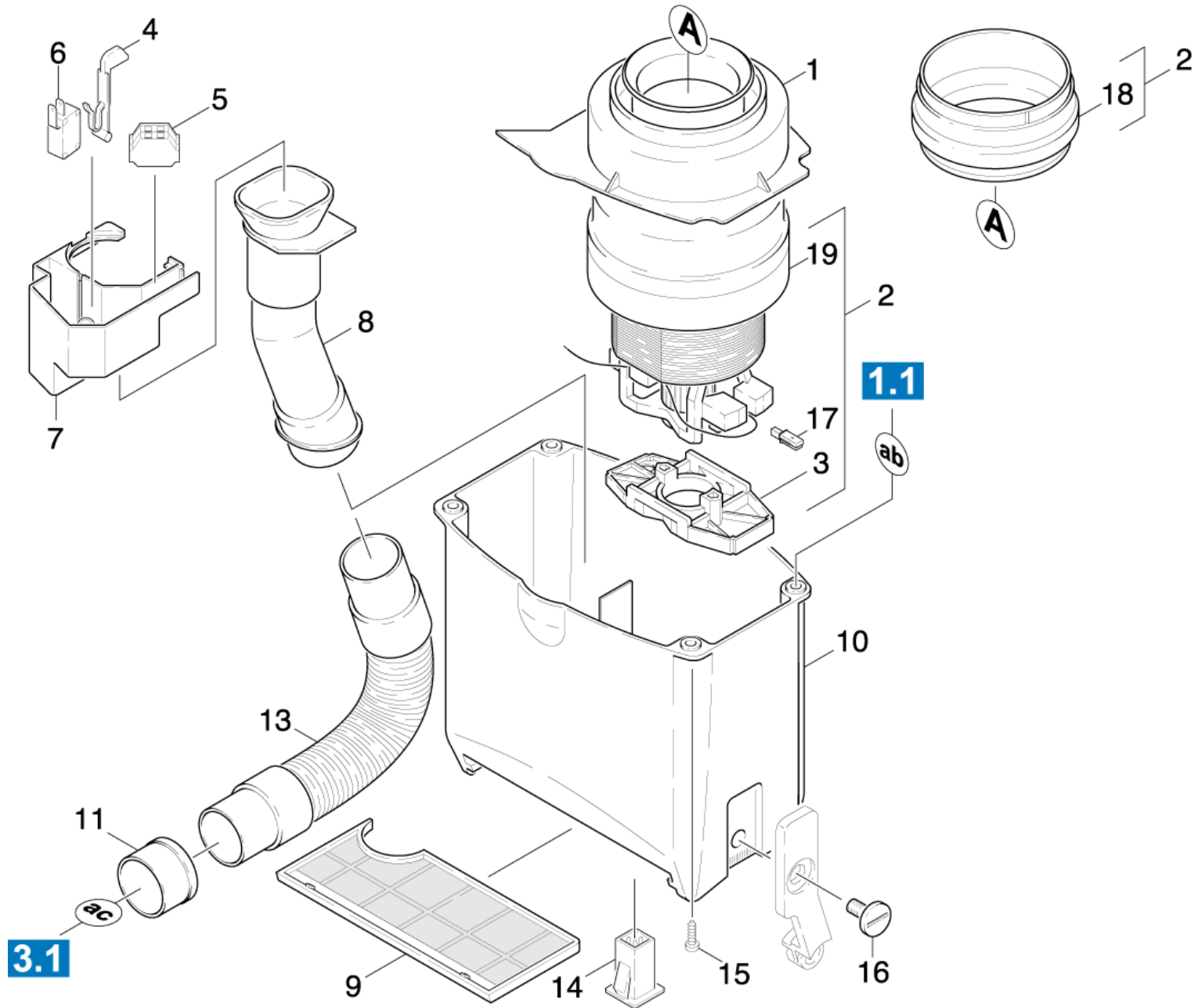
---

<b>POS</b>	<b>Article no.</b>	<b>Description</b>	<b>Quantity</b>	<b>Unit</b>
1	2.883-455.0	Handhold complete	1.000	ST
2	4.063-220.0	Cover complete yellow	1.000	ST
3	7.314-653.0	Straight grooved pin 3,0x12-St ISO 8740	2.000	ST
4	5.031-019.0	Closure	1.000	ST
5	5.332-335.0	Spring	1.000	ST
6	6.362-861.0	Seal cover	1.000	ST



### 13 Handhold complete

POS	Article no.	Description	Quantity	Unit
1	5.321-713.0	Handhold	1.000	ST
2	6.649-093.0	Cable with plug *AU	1.000	ST
	<b>Item text1:</b> / 1.033-304.0			
2	6.649-092.0	Cable with plug *GB	1.000	ST
	<b>Item text1:</b> / 1.033-302.0			
2	6.649-091.0	Power cable 12m PVC *EU	1.000	ST
	<b>Item text1:</b> / 1.033-301.0 / -303.0 / -341.0			
2	6.648-623.0	Cable with plug * RA	1.000	ST
	<b>Item text1:</b> /1.033-307.0			
3	7.303-118.0	Screw 5x40 -A2-70 (IN6Rd)	1.000	ST
4	6.682-422.0	Printed circuit board	1.000	ST
5	5.031-521.0	Lens	1.000	ST
6	5.128-632.0	Handle CW 50 - CW 100	1.000	ST
8	6.647-864.0	Rubber bushing	1.000	ST
9	6.630-035.0	Rocker switch	1.000	ST
10	5.060-644.0	Housing switch	1.000	ST
11	6.903-241.0	Clamp clip	1.000	ST
12	6.303-318.0	Screw 3,5x12-10.9-R2R (IN6RD)	2.000	ST
14	4.839-299.0	Electrical small parts only for replacem	1.000	ST



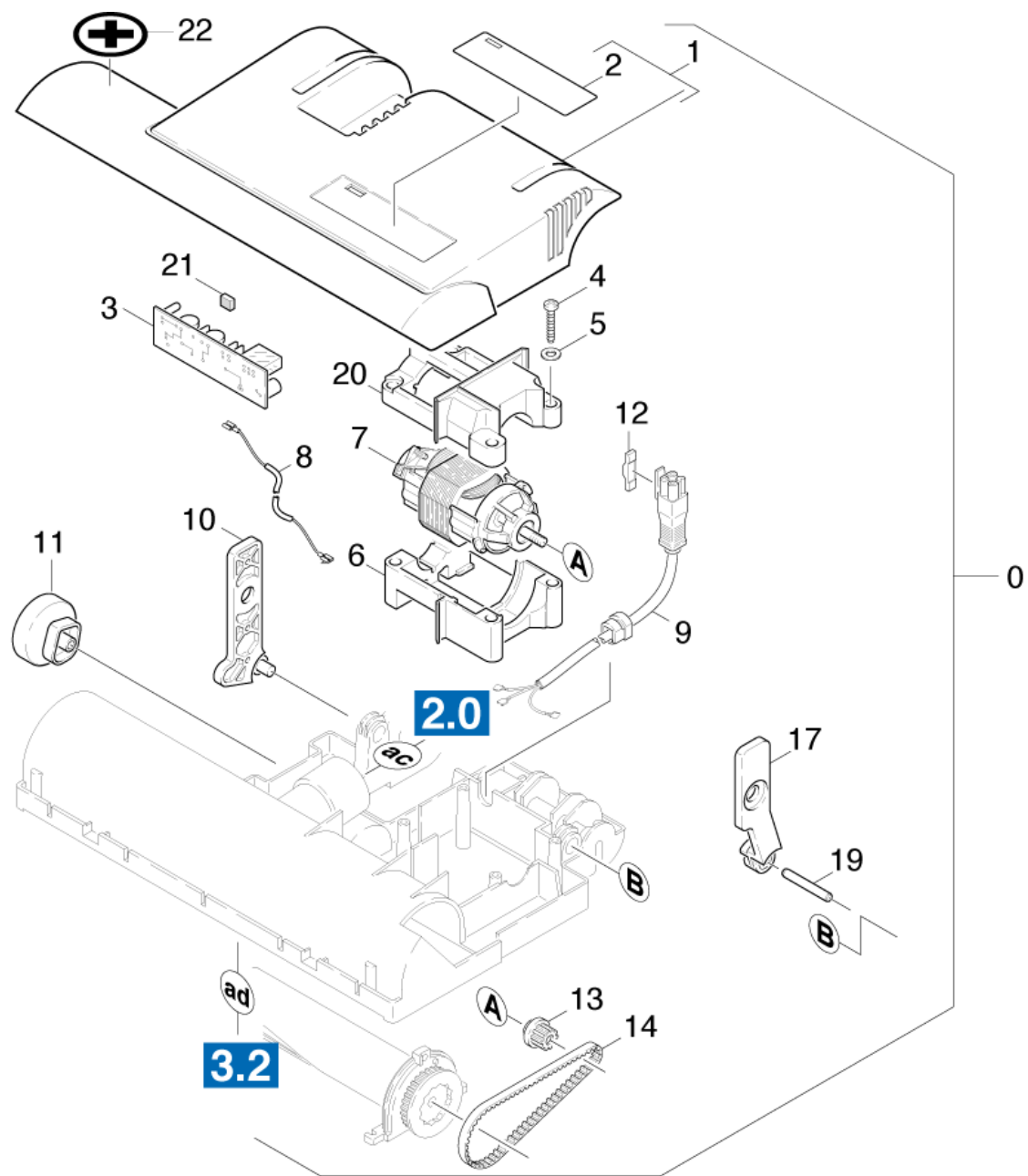
## 20 Motor

POS	Article no.	Description	Quantity	Unit	Foot note text
1	5.365-195.0	Sealing lip	1.000	ST	
2	2.639-923.0	Add-on kit vacuum motor CW50 / CW100	1.000	ST	
3	5.672-232.0	Engine holder	1.000	ST	
4	5.031-014.0	Pushbutton micro switch	1.000	ST	
5	6.643-551.0	Strip terminal	1.000	ST	ORDER ACCORDING TO CONSUMPTION
6	6.631-780.0	Micro switch	1.000	ST	
7	5.063-596.0	Cover	1.000	ST	
8	5.031-202.0	Connection piece	1.000	ST	
9	5.731-048.0	Filter	1.000	ST	
10	5.032-008.0	Pot	1.000	ST	
11	5.110-915.0	Sleeve	1.000	ST	
13	6.389-815.0	Suction hose DN32	1.000	ST	
14	6.647-436.0	Plug socket element	1.000	ST	
15	6.304-120.0	Oval head screw M 5X 16-8.8-A2R (IN6RD)	4.000	ST	
16	6.304-100.0	Screw M 8 X 13	2.000	ST	
17	6.610-231.0	CARBON BRUSH SET	1.000	ST	
18	5.114-491.0	Intermediate ring	1.000	ST	
19	6.490-160.0	Vacuum motor	1.000	ST	

## 30 Brush-head

---

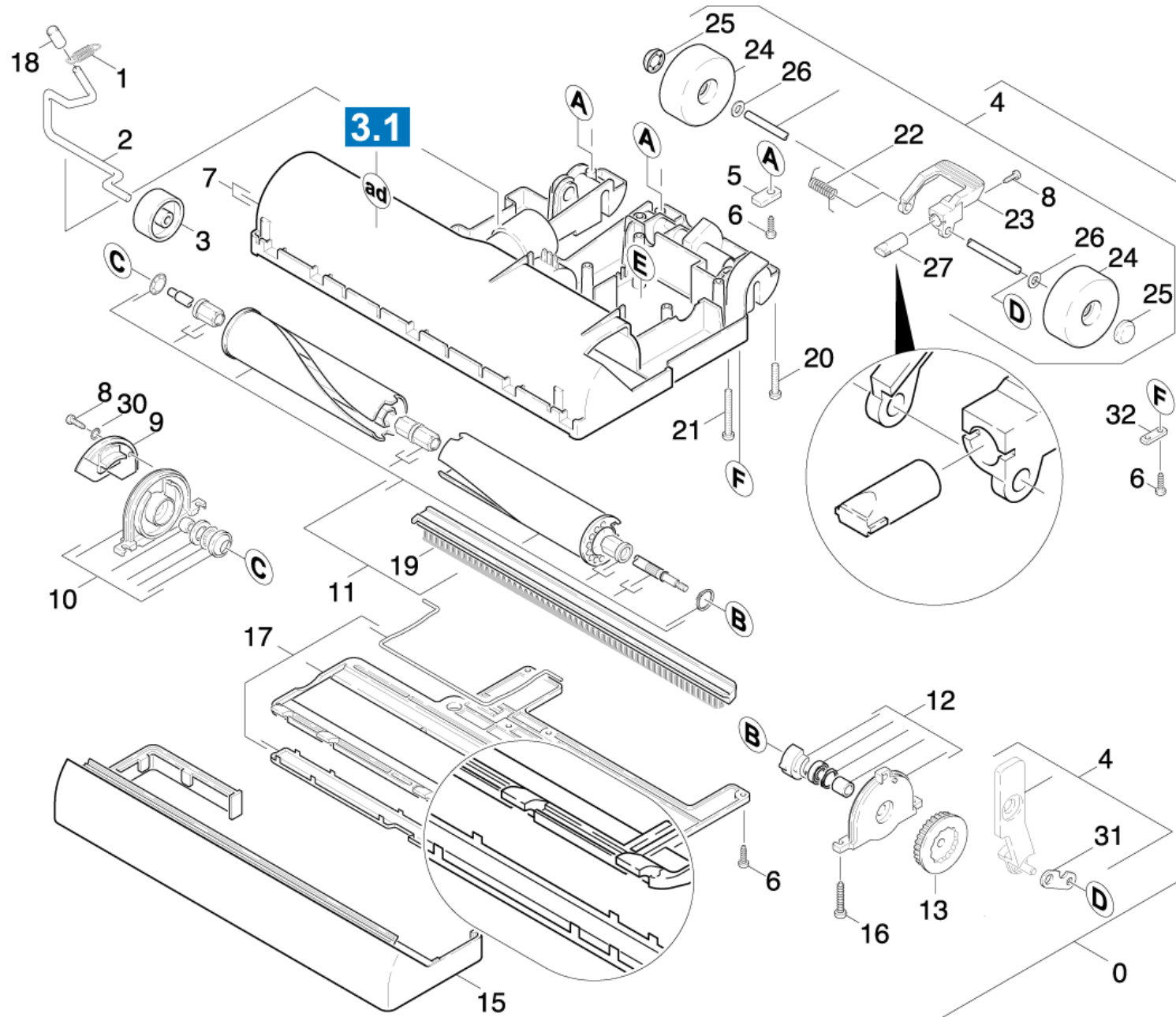
<b>POS</b>	<b>Description</b>	<b>Quantity</b>	<b>Unit</b>
31	Brush-head top part	1.000	ST
32	Brush-head bottom part	1.000	ST



### 31 Brush-head top part

POS	Article no.	Description	Quantity	Unit	Foot note text
0	4.762-365.0	Brush-head	1.000	ST	INCLUDES BRUSH HEAD - TOP PART AND BRUSH HEAD - UNDER PART
1	5.064-178.0	Housing top part	1.000	ST	
2	5.387-660.0	Label CV36/2	1.000	ST	
3	6.682-291.0	Printed circuit board 230V	1.000	ST	
4	7.303-129.0	Screw 4x16 -10.9-R2R (K-In6Rd)	4.000	ST	
5	7.312-281.0	Washer 4 -200HV-A2E ISO7093-1	4.000	ST	
6	5.031-009.0	Bearing motor bottom part	1.000	ST	
7	6.612-384.0	Motor 240V 180W	1.000	ST	
8	6.648-055.0	Cable	2.000	ST	
9	6.647-862.0	Cable with plug	1.000	ST	
10	5.481-148.0	Lever right	1.000	ST	
11	5.515-070.0	Adjusting wheel	1.000	ST	
12	6.648-707.0	Slider locking part	1.000	ST	
13	5.352-043.0	Pinion	1.000	ST	
14	6.348-266.0	Toothed belt	1.000	ST	
17	4.481-120.0	Lever left -CW 50-	1.000	ST	
19	5.105-239.0	Axle	1.000	ST	
20	5.031-155.0	Bracket top part	1.000	ST	
21	6.273-043.0	Sealing tape cellularrubber 9x4	1.000	M	TO ORDER AS CUT GOODS
21	2.273-000.0	Sealing tape cellularrubber 9x4, 20m	1.000	ST	
22	5.390-913.0	Label red pedestal	1.000	ST	





## 32 Brush-head bottom part

POS	Article no.	Description	Quantity	Unit	Foot note text
0	4.762-365.0	Brush-head	1.000	ST	
1	5.332-333.0	Extension spring	1.000	ST	
2	5.481-155.0	Lever	1.000	ST	
3	5.515-069.0	Wheel	1.000	ST	
4	4.510-030.0	Axle complete	1.000	ST	
5	5.004-658.0	Strap	2.000	ST	
6	6.303-318.0	Screw 3,5x12-10.9-R2R (IN6RD)	12.000	ST	
7	4.060-506.0	Housing bottom part only for replacement	1.000	ST	
	<b>Item text1:</b> / 4.762-365.0				
7	4.060-326.0	Housing bottom part only for replacement	1.000	ST	
	<b>Item text1:</b> / 4.762-370.0				
8	6.303-296.0	Screw M4X8	2.000	ST	
9	5.048-085.0	Covering cap	1.000	ST	
10	4.250-051.0	Bearing plate complete right	1.000	ST	
11	4.762-115.0	Roller brush complete	1.000	ST	
12	4.250-050.0	Bearing plate complete left	1.000	ST	
13	5.352-044.0	Gear wheel	1.000	ST	
15	5.031-429.0	Bumper	1.000	ST	
16	7.303-129.0	Screw 4x16 -10.9-R2R (K-In6Rd)	4.000	ST	
17	4.038-594.0	Slide part only for replacement	1.000	ST	
18	5.110-551.0	Sleeve	1.000	ST	
19	6.906-887.0	Brush strip CV36/2 antistatik	1.000	ST	ANTISTATIC
19	6.905-596.0	Brush strip hard	1.000	ST	RED
19	6.905-503.0	Brush strip complete	1.000	ST	BLACK
20	6.304-120.0	Oval head screw M 5X 16-8.8-A2R (IN6RD)	1.000	ST	
21	6.304-125.0	Oval head screw M 5X 30	3.000	ST	
22	5.332-332.0	Leg spring	1.000	ST	
23	5.481-218.0	Lever CW 50	1.000	ST	
24	5.515-068.0	Wheel	2.000	ST	
25	6.343-187.0	Lock washer	2.000	ST	
26	7.312-003.0	Washer 6 -200HV-A3E ISO 7090	2.000	ST	
27	7.777-999.0	Stockpiling discontinued	1.000	ST	
30	7.312-163.0	Toothed lock washer A4,3-FST-PH DIN 679	1.000	ST	

## 32 Brush-head bottom part

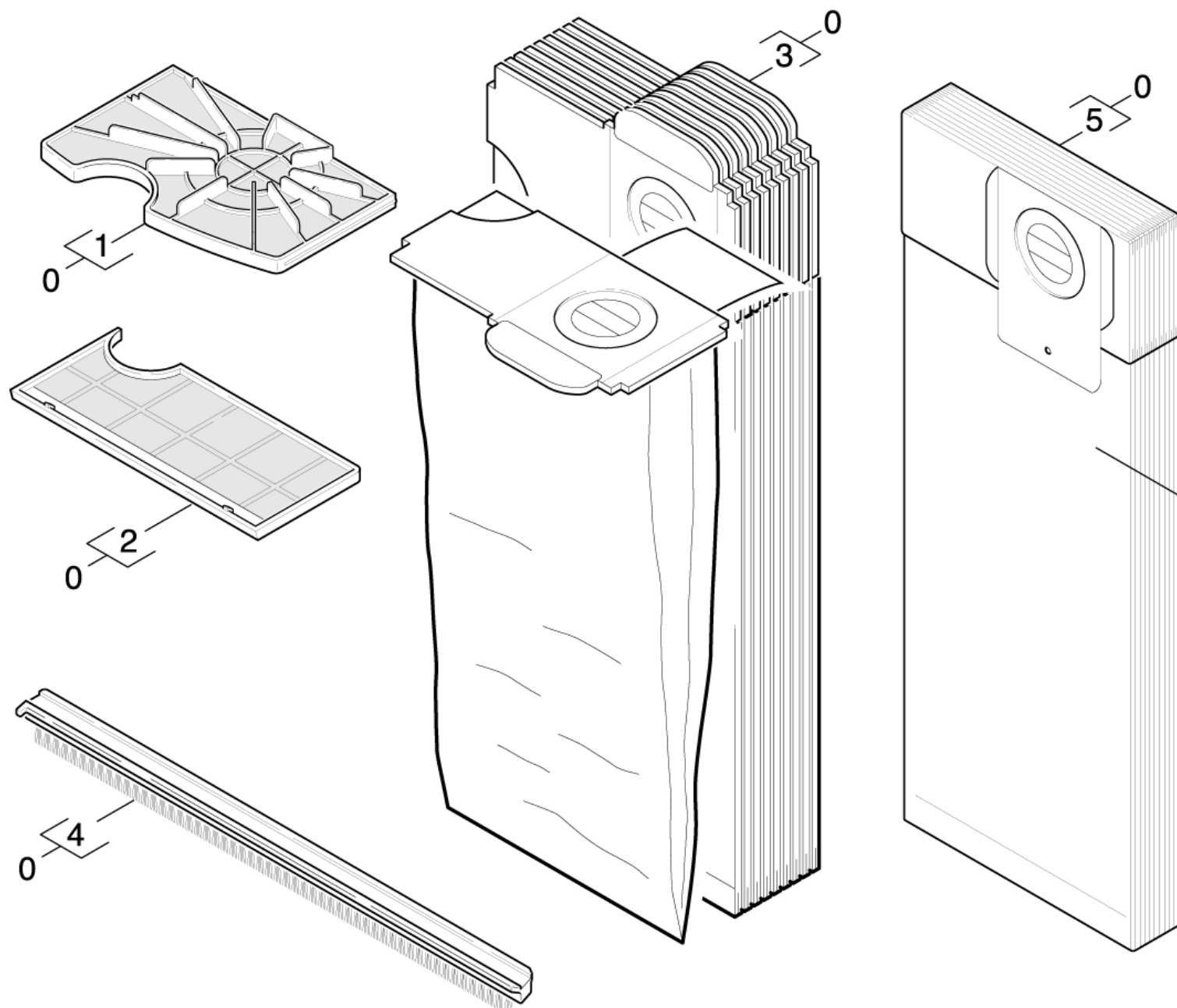
---

<b>POS</b>	<b>Article no.</b>	<b>Description</b>	<b>Quantity</b>	<b>Unit</b>	<b>Foot note text</b>
31	5.004-698.0	Strap	1.000	ST	
32	5.004-808.0	Strap	1.000	ST	
34	7.313-001.0	Spring washer B 4-FSt-A3E DIN 127	1.000	ST	

## 40 Accessories

---

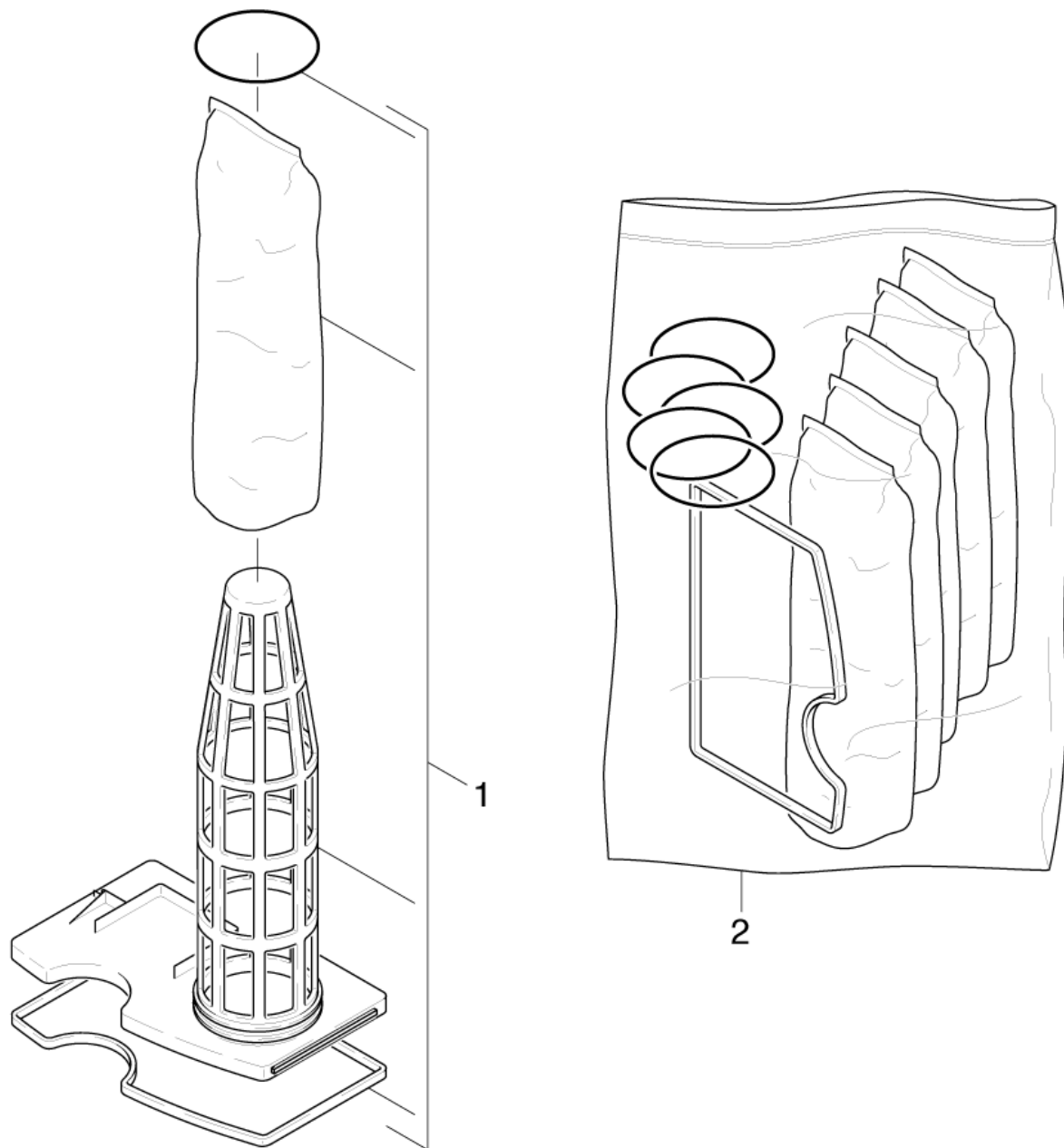
POS	Description	Quantity	Unit
41	Wearing parts set	1.000	ST
42	Micro filter	1.000	ST



## 41 Wearing parts set

---

<b>POS</b>	<b>Article no.</b>	<b>Description</b>	<b>Quantity</b>	<b>Unit</b>	<b>Foot note text</b>
0	2.883-454.0	KIT	1.000	ST	
1	5.731-047.0	Filter motor protecting	1.000	ST	
2	5.731-048.0	Filter	1.000	ST	
3	6.906-097.0	Filter bags 10 St.	1.000	ZSA	
4	6.905-503.0	Brush strip complete	1.000	ST	SOFT
4	6.905-596.0	Brush strip hard	1.000	ST	HARD
5	6.904-311.0	Filter bag fleece	1.000	ST	



## 42 Micro filter

---

<b>POS</b>	<b>Article no.</b>	<b>Description</b>	<b>Quantity</b>	<b>Unit</b>
1	6.906-099.0	Micro filter	1.000	ST
2	6.904-138.0	Filter set	1.000	ZSA