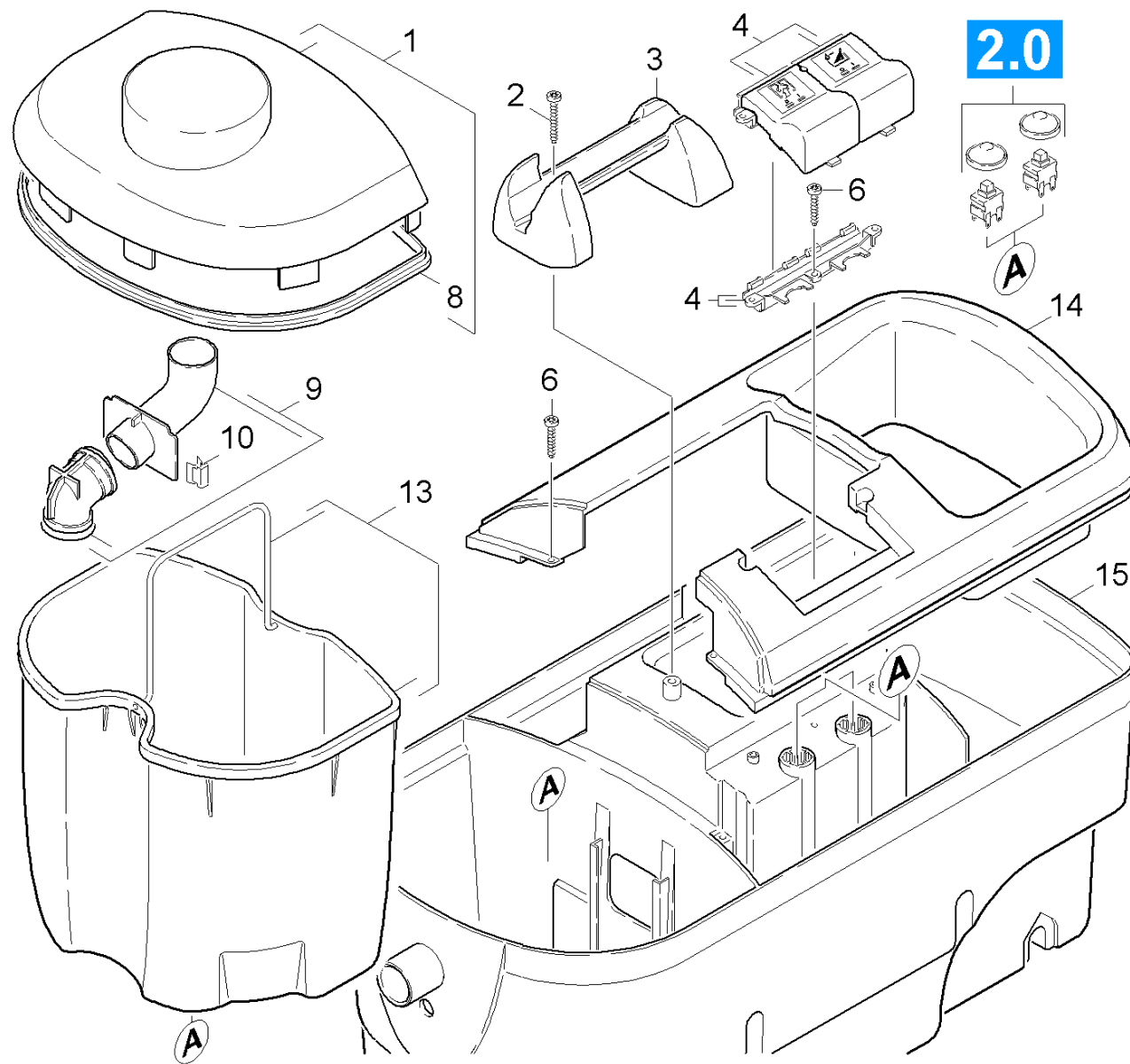


## 10 Tank water PUZZI 100

Overview technical documents/Professional/Spray extraction/PUZZI 100 Super (1.100-127.0)/Spare parts list Puzzi 100 SUPER \*EU/10 Tank water PUZZI 100



## 10 Tank water PUZZI 100

Overview technical documents/Professional/Spray extraction/PUZZI 100 Super (1.100-127.0)/Spare parts list Puzzi 100 SUPER \*EU/10 Tank water PUZZI 100

Rez.daļas/nodil.pakļ.daļas	Poz.	Materiāla Nr.	Nosaukums	Daudzums	Pārdoš. vienība	no sēr. Nr..	līdz sēr. Nr.
X-X	2	7.303-086.0	Skrūve 5x30 -10.9-R2R (K-In6Rd)	2.000	ST	0000000000	0000000000
X	6	7.303-084.0	Skrūve 4x25 -10.9-R2R (K-In6Rd)	5.000	ST	0000000000	0000000000
X-X	10	6.373-081.0	U-fastening	2.000	ST	0000000000	0000000000
X-X	8	5.363-390.0	Vāka blīvējums	1.000	ST	0000000000	0000000000
X-X	3	5.321-517.0	Handhold	1.000	ST	0000000000	0000000000
X-X	15	5.071-362.0	Housing Puzzi 100, RAL 7012	1.000	ST	0000000000	0000000000
	14	5.013-082.0	Funnel	1.000	ST	0000000000	0000000000
X	4	4.324-056.0	Pushbutton complete RAL 1018	1.000	ST	0000000000	0000000000
	13	4.070-298.0	Tank complete	1.000	ST	0000000000	0000000000
X-X	1	4.063-628.0	cover	1.000	ST	0000000000	0000000000
X-X	9	4.031-070.0	Elbow complete	1.000	ST	0000000000	0000000000