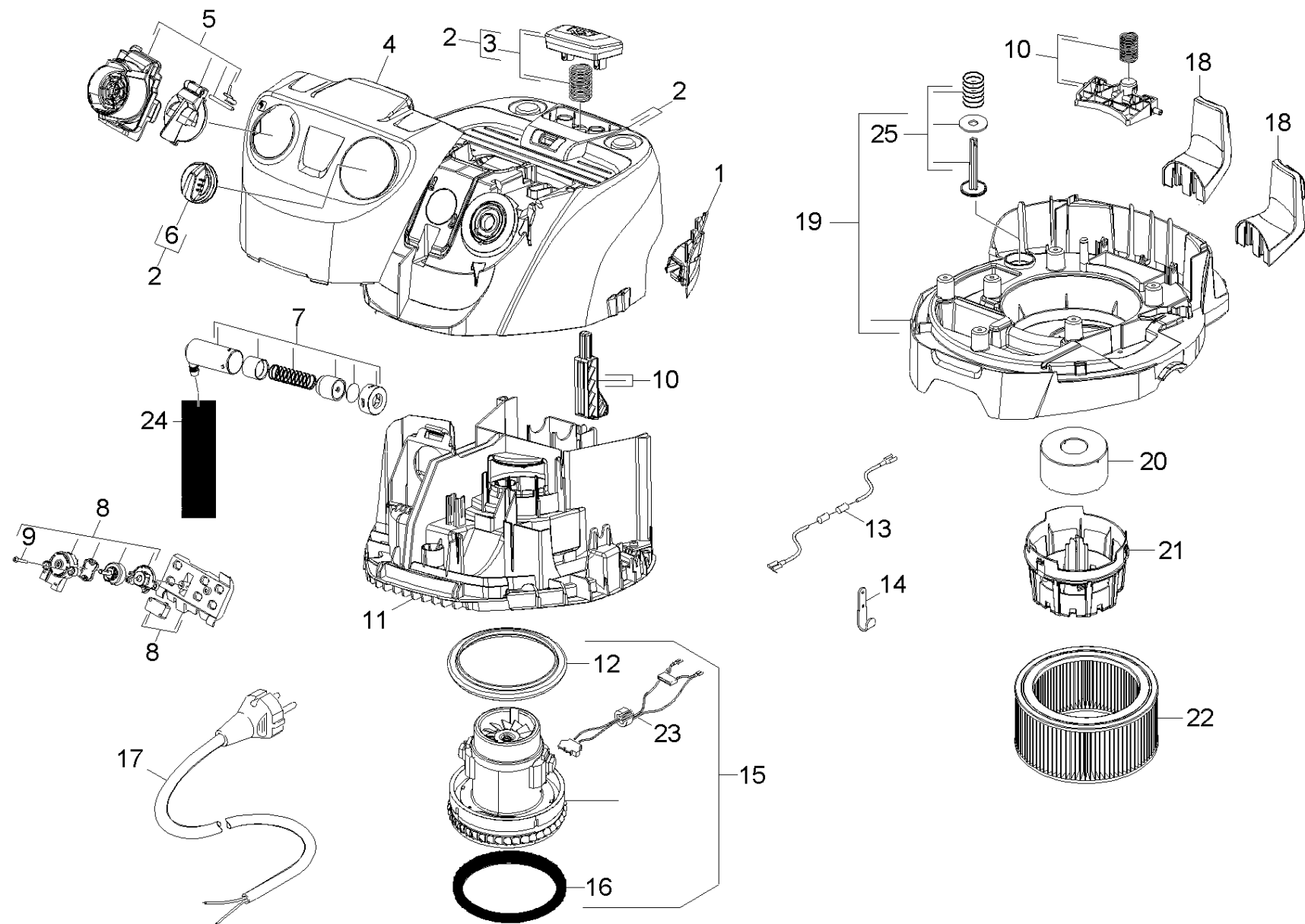


## 12 Appliance individual parts

Overview technical documents/Home & Garden/Vacuum cleaner/Wet-/Dry vacuum cleanerwet/WD 5.300 M \*EU II (1.347-842.0)/Spare parts list WD 5.200 M / WD 5.300 M/10 Appliance individual parts/12 Appliance individual parts



## 12 Appliance individual parts

Overview technical documents/Home & Garden/Vacuum cleaner/Wet-/Dry vacuum cleanerwet/WD 5.300 M \*EU II (1.347-842.0)/Spare parts list WD 5.200 M / WD 5.300 M/10 Appliance individual parts/12 Appliance individual parts

Rez.daļas/nodil.pakļ.daļas	Poz.	Materiāla Nr.	Nosaukums	Daudzums	Pārdoš. vienība	Daž. informācija
	1	9.037-735.0	Cable gland	1.000	ST	
	2	9.001-763.0	Cover complete	1.000	ST	
	3	9.001-762.0	Pushbutton complete	1.000	ST	
	4	9.001-772.0	Vadības panelis, neitrāls	1.000	ST	
	5	9.012-886.0	Connection complete	1.000	ST	
X-X	6	9.037-750.0	Poga	1.000	ST	
	7	9.012-609.0	Display filter	1.000	ST	
X-X	8	9.012-820.0	E-kaste, mazā	1.000	ST	
	9	6.303-150.0	Screw 4,2x 22	8.000	ST	
	10	9.001-761.0	Add-on kit PFC	1.000	ST	
	11	9.037-733.0	Moulded part	1.000	ST	
	12	9.079-024.0	Seal motor above	1.000	ST	
	13	9.084-172.0	Cable set ESD	1.000	ST	
	14	9.047-057.0	Spring ESD	1.000	ST	
X-X	15	4.624-032.0	Vacuum motor complete	1.000	ST	
	16	5.731-657.0	Bearing turbine new Domel CER	1.000	ST	
	17	9.084-305.0	Cable mit Stecker CH	1.000	ST	*CH
	17	9.084-249.0	Cable 6,5m 2x1 mm	1.000	ST	*EU
X-X	18	9.037-731.0	Hook	2.000	ST	
	19	9.001-780.0	Motor bracket complete	1.000	ST	
	20	9.012-742.0	Float complete WD	1.000	ST	
	21	9.037-729.0	Filtering basket	1.000	ST	
X-X	22	6.414-960.0	Nanopārklājuma cilindriskais filtrs	1.000	ST	
	23	9.001-775.0	Cable capacitor complete	1.000	ST	
	24	9.048-111.0	Tube	1.000	ST	

## 12 Appliance individual parts

Overview technical documents/Home & Garden/Vacuum cleaner/Wet-/Dry vacuum cleanerwet/WD 5.300 M \*EU II (1.347-842.0)/Spare parts list WD 5.200 M / WD 5.300 M/10 Appliance individual parts/12 Appliance individual parts

Rez.daļas/nodil.pakļ.dājas	Poz.	Materiāla Nr.	Nosaukums	Daudzums	Pārdoš. vienība	Daž. informācija
	25	9.001-779.0	Stop valve set for replacement	1.000	ST	