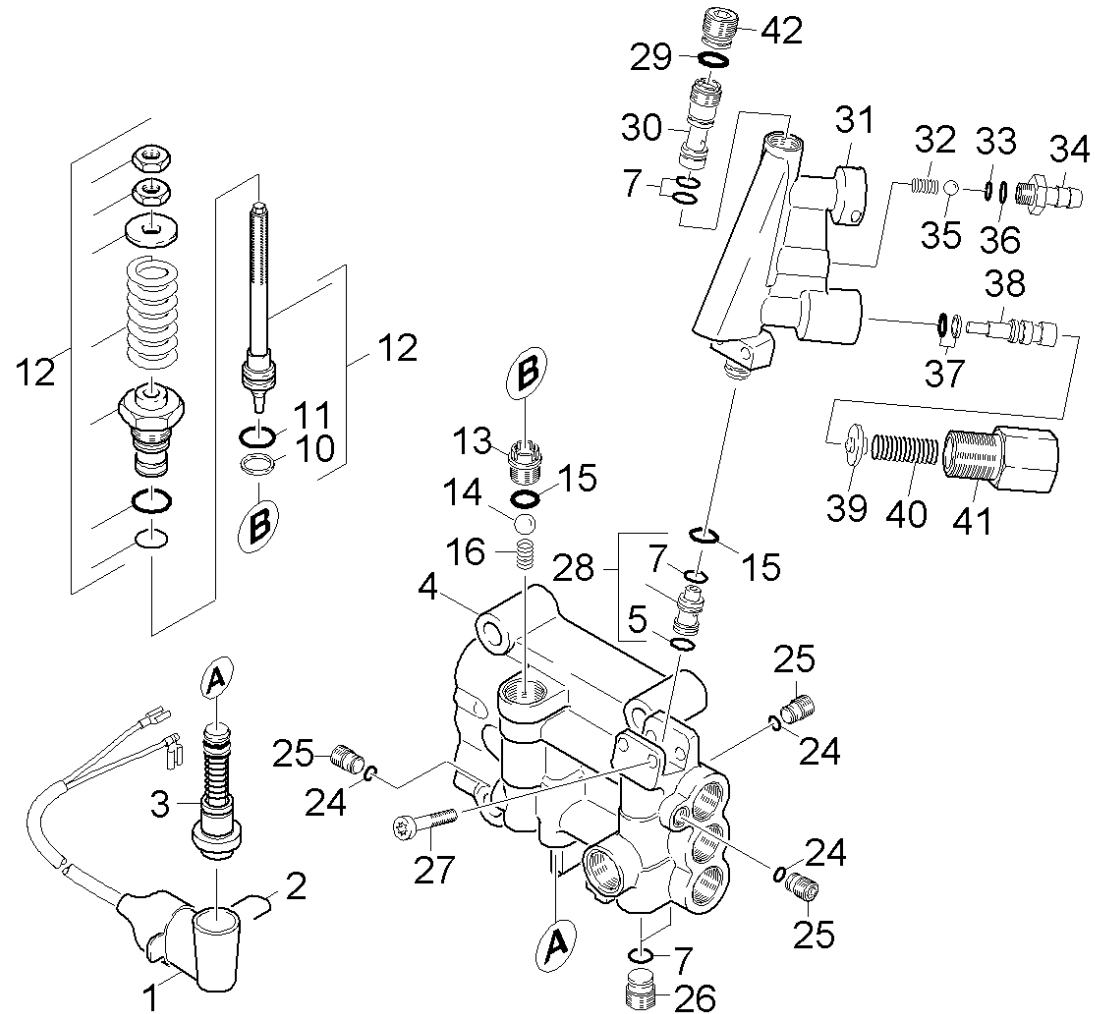


21 Cylinder head

Professional \ High pressure cleaner cold water \ Electric motor \ HD 10/21-4 SX Plus *EU-I \ Spare parts list HD 10/21 S \ Pump set \ Cylinder head



21 Cylinder head

Professional \ High pressure cleaner cold water \ Electric motor \ HD 10/21-4 SX Plus *EU-I \ Spare parts list HD 10/21 S \ Pump set \ Cylinder head

KÄRCHER

POS	Article no.	Description	Quantity	Unit
25	5.411-161.0	CLOSING SCREW M10X1	3.000	ST
4	2.885-130.0	Cylinder head -nur fuer Ersatz-	1.000	ST
16	5.332-999.0	Helical spring	1.000	ST
40	5.332-512.0	Helical spring	1.000	ST
32	5.332-258.0	Helical spring	1.000	ST
41	5.304-082.0	HEXAGON Schraube	1.000	ST
34	5.443-370.0	Nipple	1.000	ST
30	5.769-141.0	Nozzle insert	1.000	ST
28	4.769-000.0	Nozzle insert complete	1.000	ST
15	6.362-151.0	O-Ring d. 10 x 2 NBR 70	2.000	ST
33	6.363-597.0	O-Ring seal 5,28 x 1,78	1.000	ST
36	6.362-113.0	O-Ring seal 6,0 x 2,0 NBR 70	1.000	ST
24	6.362-703.0	O-Ring seal 6,0x1,5-NBR 70	3.000	ST
29	6.362-528.0	O-Ring seal 9,5 X 2,0	1.000	ST
7	6.362-384.0	O-Ring seal 9x1,5 - NBR 70	5.000	ST
11	6.363-244.0	O-Ring seal 12.42x1.78	1.000	ST
37	6.362-365.0	O-Ring seal complete 1ST.-R.- 7,65X 1,7	1.000	ST
31	4.591-045.0	Overflow valve	1.000	ST
12	2.885-129.0	Overflow valve -nur fuer Ersatz-	1.000	ST
38	5.553-465.0	Piston	1.000	ST
100	2.883-902.0	PUMP SET HD 1095	1.000	ST
2	5.034-494.0	Retaining bracket	1.000	ST
27	7.306-118.0	Screw M 6x35 -8.8-R3R (In6Rd)	2.000	ST
26	5.411-152.0	Screw plug	2.000	ST
3	2.883-988.0	SPARE PARTS SET	1.000	ST
14	7.401-910.0	Sphere 3/8 G80-1.4034 DIN 5401	1.000	ST
35	7.401-908.0	Sphere 7 G300 -1.4301 DIN 5401	1.000	ST
10	5.114-511.0	Supportring	1.000	ST
1	4.744-242.0	Switch kpl. -nur für Ersatz-	1.000	ST
39	5.584-134.0	Valve pin	1.000	ST
42	5.411-168.0	Valve screw M16x1	1.000	ST
13	5.581-270.0	Valve seat	1.000	ST