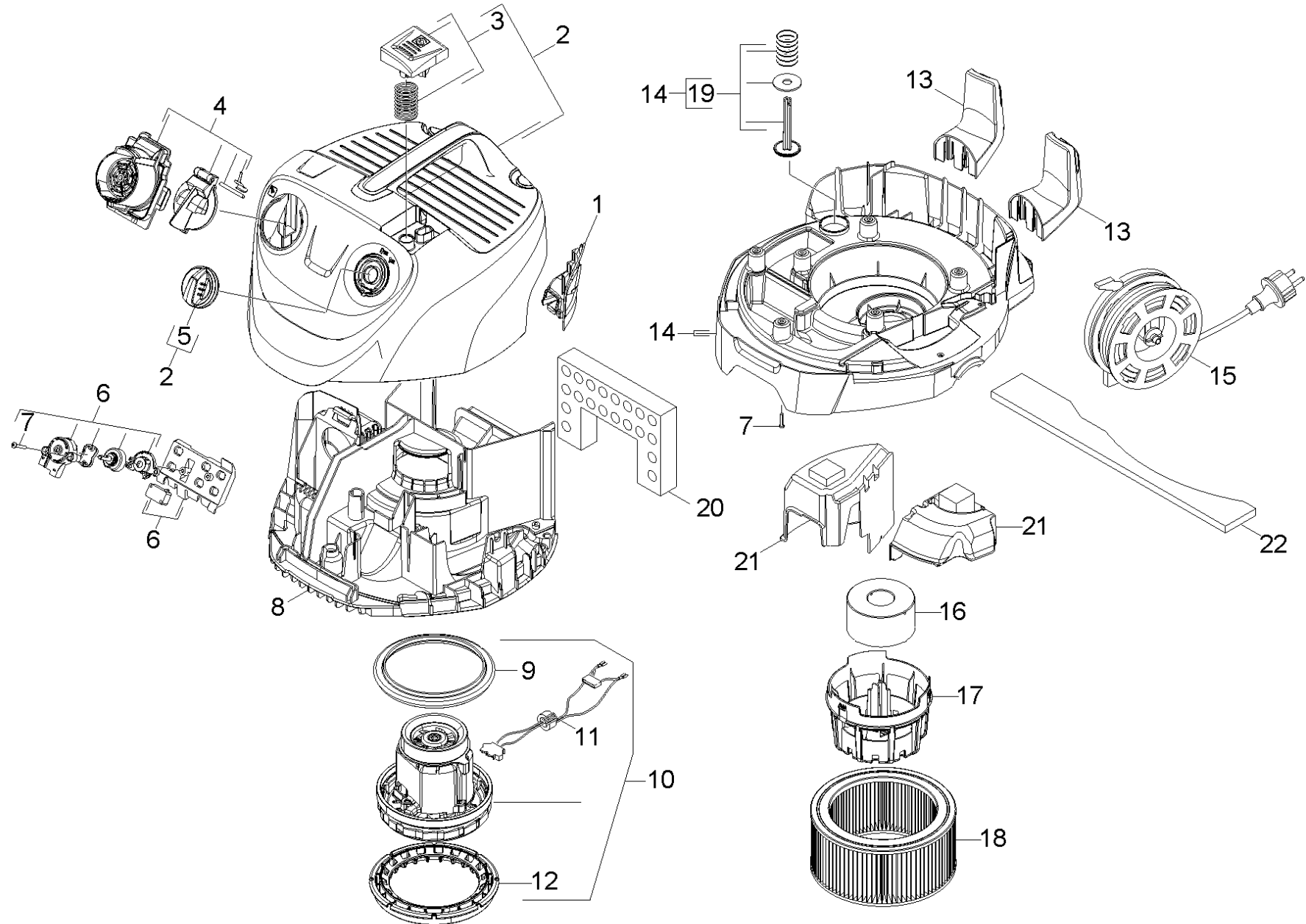


Spare parts list

Appliance individual parts

10 Appliance individual parts

3



10 Appliance individual parts

POS	Article no.	Description	Quantity	Unit	Remark
1	9.037-734.0	Cable gland	1	PC	
2	7.777-999.0	Stockpiling discontinued	1	PC	
3	9.001-752.0	Pushbutton complete	1	PC	
4	9.012-886.0	Connection complete	1	PC	
5	9.037-750.0	Rotary switch black	1	PC	
6	9.012-820.0	E-Box small	1	PC	
7	6.303-150.0	Screw 4,2x 22	8	PC	
8	9.037-732.0	Air circulation STD	1	PC	
9	9.079-024.0	Seal motor above	1	PC	
10	4.624-032.0	Vacuum motor complete für Ersatz 1400W	1	PC	
11	9.001-775.0	Cable capacitor complete	1	PC	
12	5.731-657.0	Bearing turbine new CER	1	PC	
13	9.037-731.0	Hook	2	PC	
14	9.001-798.0	Motor bracket complete	1	PC	
15	7.777-999.0	Stockpiling discontinued	1	PC	*GB
15	9.001-869.0	Cable drum complete wd 5.500/5.600	1	PC	*EU
16	9.012-742.0	Float complete WD	1	PC	
17	9.037-729.0	Filtering basket	1	PC	
18	6.414-960.0	Cartridge filter Nano WD	1	PC	
19	9.001-779.0	Stop valve set for replacement	1	PC	
20	9.048-126.0	Rear foam	1	PC	
21	7.777-999.0	Stockpiling discontinued	1	PC	
22	7.777-999.0	Stockpiling discontinued	1	PC	