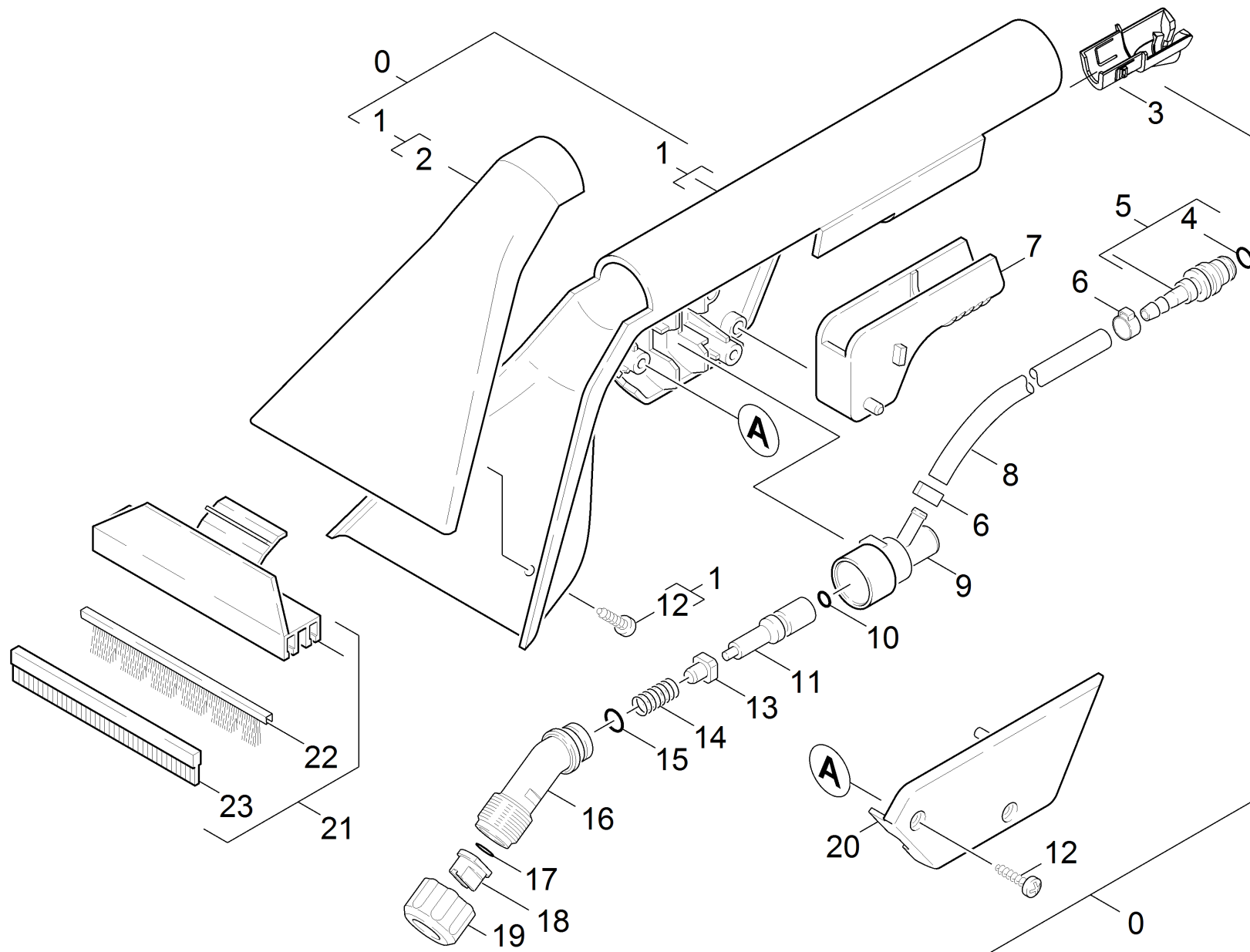


42 Hand nozzle

Overview technical documents/Professional/Spray extraction/PUZZI 300 S (1.101-112.0)/Spare parts list Puzzi 300 S/40 Accessories/42 Hand nozzle



42 Hand nozzle

Overview technical documents/Professional/Spray extraction/PUZZI 300 S (1.101-112.0)/Spare parts list Puzzi 300 S/40 Accessories/42 Hand nozzle

Rez.daļas/nodil.pakļ.daļas	Poz.	Materiāla Nr.	Nosaukums	Daudzums	Pārdoš. vienība	no sēr. Nr..	līdz sēr. Nr.
X-X	0	4.130-442.0	Hand nozzle	1.000	ST	0000000000	0000000000
	1	4.130-126.0	Hand nozzle	1.000	ST	0000000000	0000000000
X-X	2	5.130-223.0	Rokas uzgaļa vāks	1.000	ST	0000000000	0000000000
	3	5.130-000.0	Hose guide hand nozzle Puzzi	1.000	ST	0000000000	0000000000
	4	6.362-498.0	Gredzenblīve 6,75x1,78 NBR 70	1.000	ST	0000000000	0000000000
X-X	5	4.443-019.0	Hose steam	1.000	ST	0000000000	0000000000
	6	6.390-257.0	hose clip	2.000	ST	0000000000	0000000000
X	7	5.481-485.0	Lever RAL 1018	1.000	ST	0000000000	0000000000
	8	6.390-237.0	hose	1.000	ZST	0000000000	0000000000
	9	5.587-139.0	Vārsta korpuss	1.000	ST	0000000000	0000000000
	10	6.362-401.0	Gredzenblīve 3,1 X 1,6	1.000	ST	0000000000	0000000000
	11	5.584-033.0	Vārsta ass	1.000	ST	0000000000	0000000000
	12	7.303-116.0	Fīlter bags - T 7/1	4.000	ST	0000000000	0000000000
	13	5.584-034.0	Valve pin	1.000	ST	0000000000	0000000000
	14	5.332-082.0	Spirālveida atspere	1.000	ST	0000000000	0000000000
	15	6.362-402.0	O-Ring seal 11,0 X 1,3-NBR 70	1.000	ST	0000000000	0000000000
	16	5.401-225.0	Screw connector part	1.000	ST	0000000000	0000000000
	17	6.362-113.0	Gredzenblīve 6,0 x 2,0 NBR 70	1.000	ST	0000000000	0000000000
	18	6.415-340.0	Uzgaļa iemutis 65G04	1.000	ST	0000000000	0000000000
	19	5.310-043.0	Nut	1.000	ST	0000000000	0000000000
	20	5.063-773.0	Cover	1.000	ST	0000000000	0000000000
	21	4.762-219.0	Hard surface adapter	1.000	ST	0000000000	0000000000
	22	6.959-282.0	Brush strip	1.000	ST	0000000000	0000000000
	23	6.959-283.0	Rubber lip	1.000	ST	0000000000	0000000000