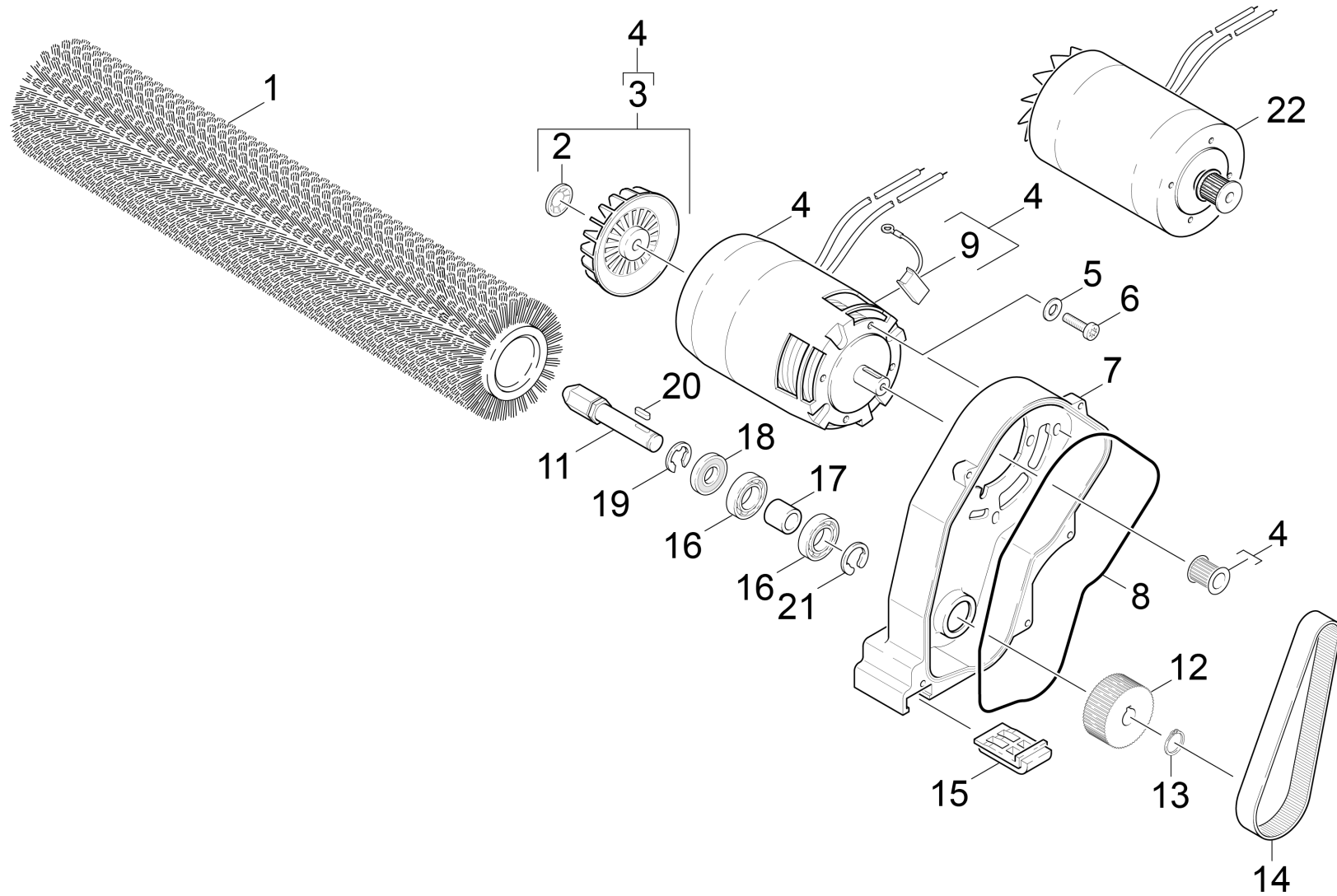


# 82 Transmission

Professional \ Floor cleaner \ Walk behind \ BR 55/60 W ECO \*EU \ Spare parts list BR/BD 55/60W \ Power brush \ Transmission



## 82 Transmission

Professional \ Floor cleaner \ Walk behind \ BR 55/60 W ECO \*EU \ Spare parts list BR/BD 55/60W \ Power brush \ Transmission

**KÄRCHER**

POS	Article no.	Description	Quantity	Unit	Remark	Foot note text
16	7.401-115.0	Ball bearing 6002-2RS -WAE LZLAGST DIN 62	4.000	ST		
3	6.613-025.0	Blower wheel	2.000	ST	ATAS	
	<b>Item text1:</b> 1.384-111.0 / -121.0 / -161.0 / -718.0					
3	6.610-027.0	Blower wheel only for replacement Hengye	2.000	ST	Hengye	
9	6.610-216.0	Carbon brush set	1.000	ZSA	AMER	
9	6.610-026.0	Carbon brush set	1.000	ST	Hengye	
9	6.610-239.0	Carbon brush set ATAS	1.000	ST	ATAS	
11	5.100-416.0	Driveshaft	2.000	ST		
18	6.363-158.0	Joint ring Nilosring	2.000	ST		
13	7.343-015.0	Locking ring 15x1-FST-RF DIN 471	2.000	ST		
21	7.343-046.0	Locking ring 32x1,2 -Rf-St DIN 472	2.000	ST		
19	7.343-304.0	Lock washer 15 -A2 DIN 6799	4.000	ST		
22	4.623-747.0	Motor complete BR 55/60 WEP	1.000	ST	230V	
	<b>Item text1:</b> 1.384-151.0 / -152.0					
4	4.623-034.0	Motor complete only for replacement 24V	2.000	ST	24V//600W/ATAS Motor	
	<b>Item text1:</b> 1.384-111.0 /-121.0 / -161.0 / -718.0					
20	7.318-002.0	Parallel key 5x5x16 -C45K DIN 6885-1	2.000	ST		
7	5.044-639.0	Retainer plate transmission	2.000	ST		
15	5.056-010.0	Rocker BR-VS	2.000	ST		
1	5.762-300.0	Roller brush black (old colour grey)	2.000	ST	1 MM	
1	5.762-299.0	Roller brush green (old colour grey)	2.000	ST	0,6 MM	
1	5.762-298.0	Roller brush orange (old colour red)	2.000	ST		
1	5.762-348.0	Roller brush red (old colour white)	2.000	ST		
1	5.762-297.0	Roller brush white (old colour black)	2.000	ST		
6	7.306-031.0	Screw M 6x16-A2-70 DIN 7984	8.000	ST		
2	6.363-149.0	Seal NBR	2.000	ST		
8	6.273-037.0	Seal string cellular rubber 3	1.000	M		ALS METERWARE BESTELLEN
17	5.110-942.0	Sleeve	2.000	ST		
14	6.348-382.0	Toothed belt	2.000	ST		
12	5.625-425.0	Toothed belt pulley	2.000	ST		
5	7.312-292.0	Washer 6 -A2 ISO 7093-1	8.000	ST		