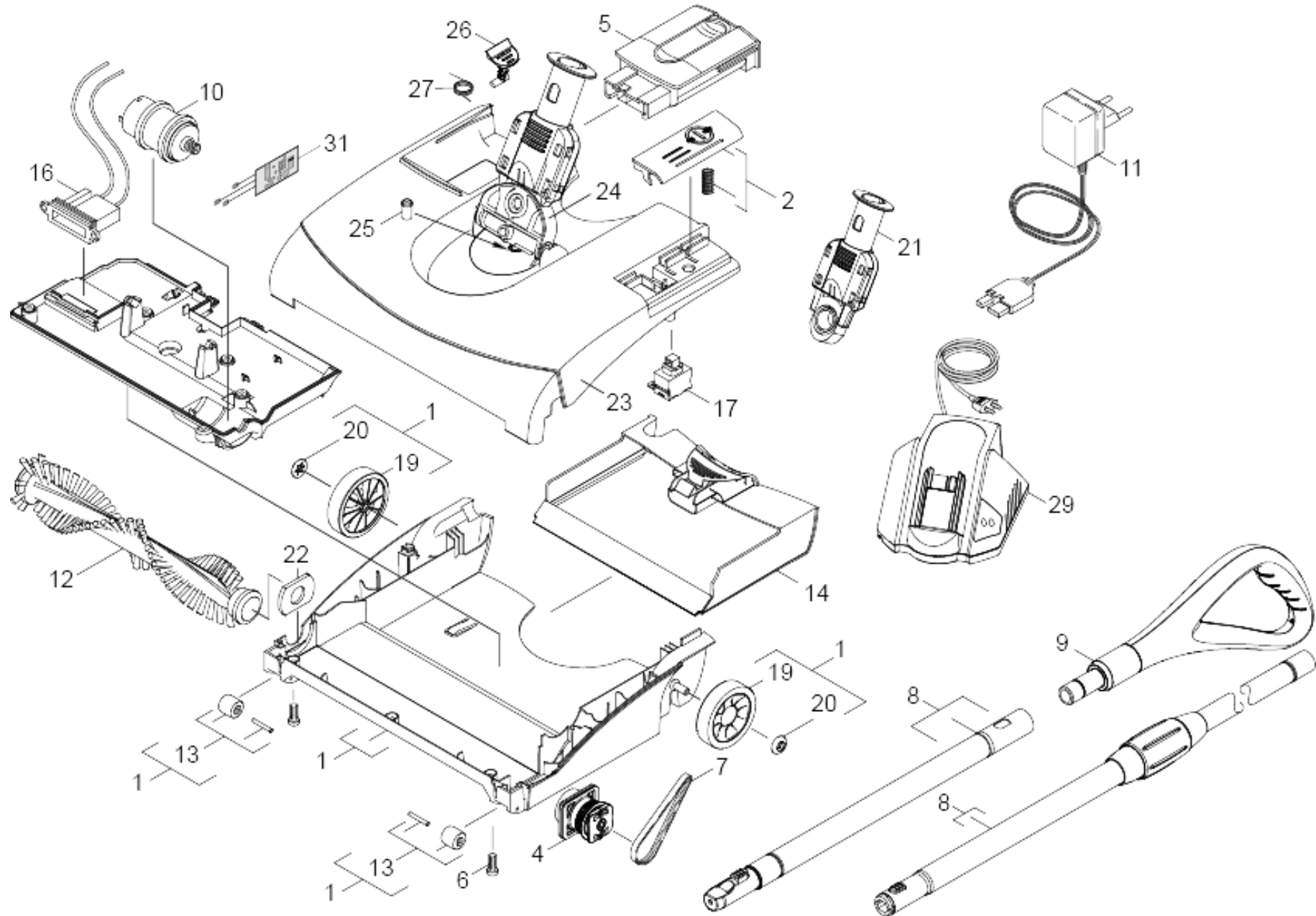


10 Individual parts

Professional \ Sweepers \ Manually operated \ EB 30/1 *EU \ Spare parts list EB 30/1 Li-Ion \ Individual parts



10 Individual parts

Professional \ Sweepers \ Manually operated \ EB 30/1 *EU \ Spare parts list EB 30/1 Li-Ion \ Individual parts



POS	Article no.	Description	Quantity	Unit	Remark	Foot note text
1	4.081-005.0	Bottom part complete	1	PC	1.545-117/-118/-119/-120	
2	4.324-047.0	Pushbutton with spring	1	PC		YELLOW
4	4.454-000.3	Transmission	1	PC		
5	6.654-328.0	Accumulator replacement Li-Ion	1	PC		
6	7.303-129.0	Screw 4x16-10.9-R2R (K-In6Rd)	11	PC		
7	6.348-427.0	Toothed belt	1	PC		
8	4.070-946.0	Tube complete	1	PC		
9	4.070-606.0	Hand grip complete	1	PC		
10	4.623-750.0	Motor complete	1	PC		
11	6.645-915.0	BC 1/1.8 *EU	1	PC		
	Item text1: only for 1.545-129.0					
11	6.645-915.0	BC 1/1.8 *EU	1	PC		
	Item text1: only for 1.545-126.0					
12	4.762-400.0	Roller brush packaged	1	PC		BLACK
12	4.762-401.0	Roller brush red packaged	1	PC		RED
13	4.880-058.0	Roller set	1	PC		
14	4.070-804.0	Sweep tank complete	1	PC		
16	4.822-434.0	Electrical small parts complete	1	PC		
17	6.630-413.0	Switch	1	PC		
19	5.515-000.0	Wheel grey	2	PC		
20	6.343-187.0	Lock washer	2	PC		
21	4.672-201.0	Locking part complete	2	PC		
22	5.008-775.0	Bearing plate left	1	PC		
23	5.080-028.0	Top part	1	PC		
24	5.605-314.0	Joint	1	PC		
25	4.110-013.0	Thrust piece springy	1	PC		
26	5.324-137.0	Pushbutton connection accumulator	1	PC		
27	6.330-254.0	Leg spring	1	PC		
29	6.654-190.0	Rechargeable battery changer *EU BC 1/1.	1	PC		
29	6.654-204.0	Rechargeable battery changer quadruple *	1	PC		
31	4.682-092.0	Electronics complete	1	PC		
32	6.346-043.0	Ferrite ring	1	PC		