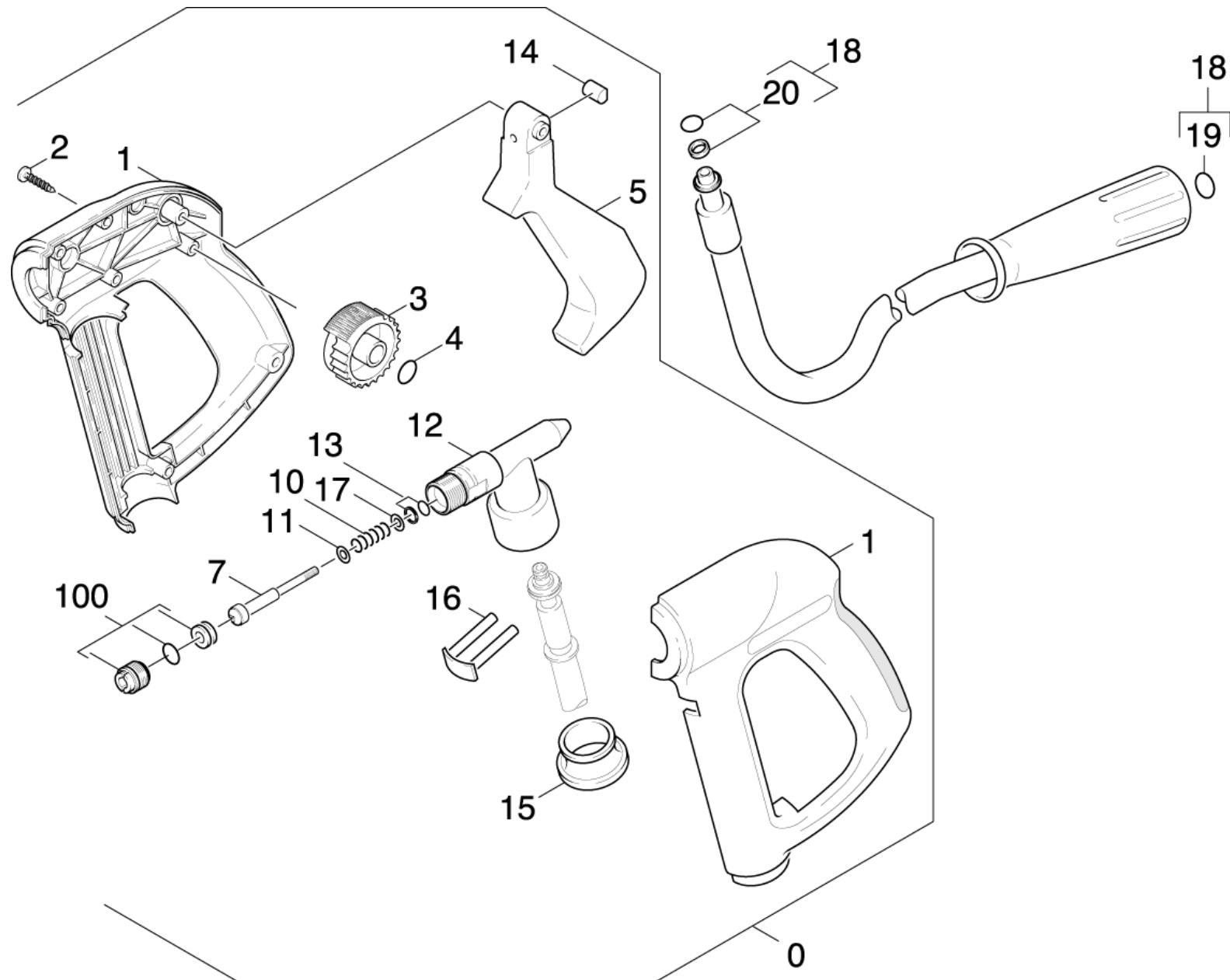


### 43 Hand trigger gun

Overview technical documents/Professional/High pressure cleaner cold water/Electric motor/HD 690

\*EU (1.151-102.0)/Spare parts list HD 690 400V 3 PH 50 H/40 Accessories/43 Hand trigger gun



### 43 Hand trigger gun

Overview technical documents/Professional/High pressure cleaner cold water/Electric motor/HD 690

\*EU (1.151-102.0)/Spare parts list HD 690 400V 3 PH 50 H/40 Accessories/43 Hand trigger gun

| Rez.daļas/nodil.pakļ.daļas | Poz. | Materiāla Nr. | Nosaukums                              | Daudzums | Pārdoš. vienība | no sēr. Nr.. | līdz sēr. Nr. |
|----------------------------|------|---------------|--|----------|-----------------|--------------|---------------|
|                            | 0    |               | Stockpiling discontinued               | 1.000    | ST              | 0000000000   | 0000000000    |
|                            | 1    | 5.321-494.0   | Tureklis                               | 1.000    | ST              | 0000000000   | 0000000000    |
|                            | 2    | 7.303-096.0   | Skrūve 4x22 -ST-10.9-R2R (IN6RD)       | 8.000    | ST              | 0000000000   | 0000000000    |
|                            | 3    | 5.322-011.0   | Hand wheel                             | 1.000    | ST              | 0000000000   | 0000000000    |
|                            | 4    | 6.362-642.0   | O-ring seal                            | 1.000    | ST              | 0000000000   | 0000000000    |
|                            | 5    | 5.481-178.0   | Svira                                  | 1.000    | ST              | 0000000000   | 0000000000    |
|                            | 7    | 5.553-347.0   | Virzulis                               | 1.000    | ST              | 0000000000   | 0000000000    |
|                            | 10   | 5.332-384.0   | Helical spring                         | 1.000    | ST              | 0000000000   | 0000000000    |
|                            | 11   | 5.115-675.0   | Washer                                 | 1.000    | ST              | 0000000000   | 0000000000    |
|                            | 12   | 5.427-210.0   | Spare part                             | 1.000    | ST              | 0000000000   | 0000000000    |
|                            | 13   | 6.362-992.0   | Gredzenblīve, pilns komplekts 2,6X1,9  | 1.000    | ST              | 0000000000   | 0000000000    |
|                            | 14   | 5.316-400.0   | Skrūve                                 | 1.000    | ST              | 0000000000   | 0000000000    |
|                            | 15   | 5.110-596.0   | Uzmava                                 | 1.000    | ST              | 0000000000   | 0000000000    |
| X                          | 16   | 4.037-013.0   | Spare part                             | 1.000    | ST              | 0000000000   | 0000000000    |
|                            | 17   | 5.115-661.0   | Paplāksne                              | 1.000    | ST              | 0000000000   | 0000000000    |
|                            | 18   | 6.389-853.0   | Augstspiediena šļūtene DN6 10m         | 1.000    | ST              | 0000000000   | 0000000000    |
|                            | 19   | 2.880-990.0   | spare part set o ring from 2.880-296.0 | 1.000    | ST              | 0000000000   | 0000000000    |
|                            | 20   | 6.363-115.0   | Gredzenblīve, pilns komplekts 1ST.-R.  | 1.000    | ST              | 0000000000   | 0000000000    |
|                            | 100  | 2.883-903.0   | Spare part set                         | 1.000    | ST              | 0000000000   | 0000000000    |