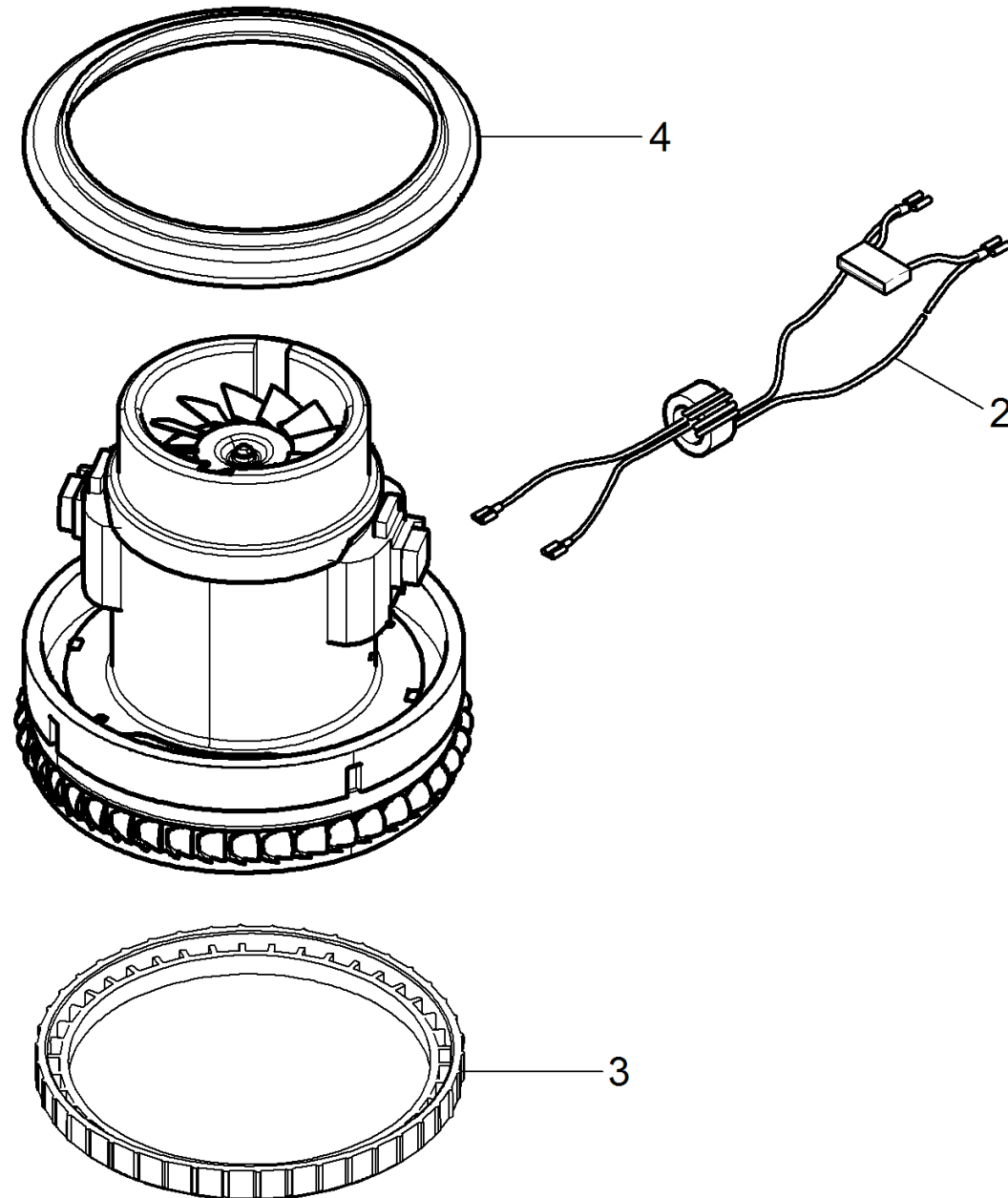


9 Vacuum motor complete for replacement Cu (4.490-000.0)

Home and Garden \ Vacuum cleaner \ Wet-/Dry vacuum cleanerwet \ WD 3 *EU-II \ Appliance individual parts \ Vacuum motor complete for replacement Cu



9 Vacuum motor complete for replacement Cu (4.490-000.0)

Home and Garden \ Vacuum cleaner \ Wet-/Dry vacuum cleanerwet \ WD 3 *EU-II \ Appliance individual parts \ Vacuum motor complete for replacement Cu



POS	Article no.	Description	Quantity	Unit
3	5.365-324.0	Bearing motor height compensation	1.000	ST
2	4.649-087.0	Cable ferrite ring complete DNA	1.000	ST
4	9.079-024.0	Seal motor above	1.000	ST