

Spare parts list

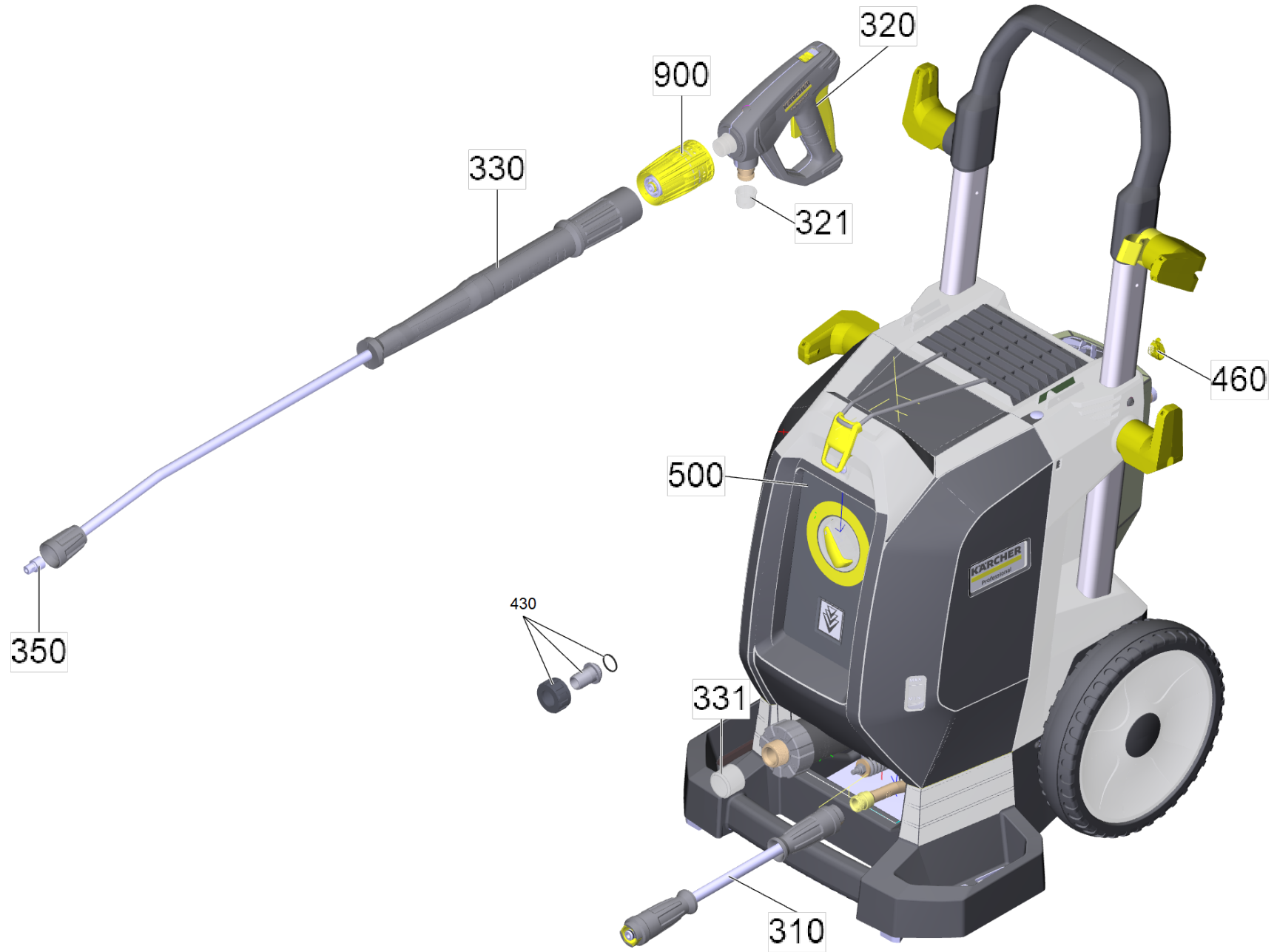
(1.286-954.0) HD 10/25-4 S

Table of contents

HD 10/25-4 S (1.286-954.0)	3
1 HD 10/25-4 S	4
310 Hose assembly TR rotatable DN8 31,5MPa 1 (6.110-031.0)	6
1 Hose assembly TR rotatable DN8 31,5MPa 1	7
320 EASY!Force Advanced (4.118-005.0)	9
9000 Spare part set lever (2.885-483.0)	11
330 Jet pipe TR 1050 mm (4.112-000.0)	13
350 Power nozzle TR 25047 (2.113-009.0)	15
2 Spare part set seals TR (2.880-001.0)	17
430 Set water connection 1 " (2.640-492.0)	18
500 Unit HD 10/25-4 S	20
100 Platform housing kit HD S	22
10 Carriage HD-S	24
11 Rear panel pre-assembly	26
12 Housing bottom part pre-assembly	28
20 Handhold cpl. (4.645-730.3)	30
500 Pump set HD 10/25-4 S EU 62W1628	32
2010 Transmission 62 W 16 28 (4.624-496.3)	35
2020 Piston guidance cpl. 62 20	37
2025 Oil drain connection piece cpl. (4.444-132.0)	39
2030 Cylinder head cpl. 62 20	41
2311 Valve complete (4.580-594.0)	43
2321 Valve (3 Stueck) (2.884-512.0)	45
2331 Spare part set overflow valve (2.885-385.0)	47
2035 Bush low-pressure cpl. D20	49
2050 Water intake cpl.	51
2503 Connection piece water intake cpl. (4.101-076.0)	53
2551 Filter cartridge (4.370-000.0)	54
2060 Electric control box	55
2640 Switch complete (4.744-023.0)	57
2511 Manifold short cpl. (4.101-080.0)	59
2521 Manifold long cpl. (4.101-081.0)	61
9000 Pump set HD-S U D20 (4.101-087.0)	63
530 Mounting material pump set	65
900 Rotary controller TR 416L (4.118-008.0)	67
1 Rotary controller TR 416L	68
12 Spare part set seals TR (2.880-001.0)	70

HD 10/25-4 S (1.286-954.0)

POS	Description	Quantity	Unit
1	HD 10/25-4 S	1	PC

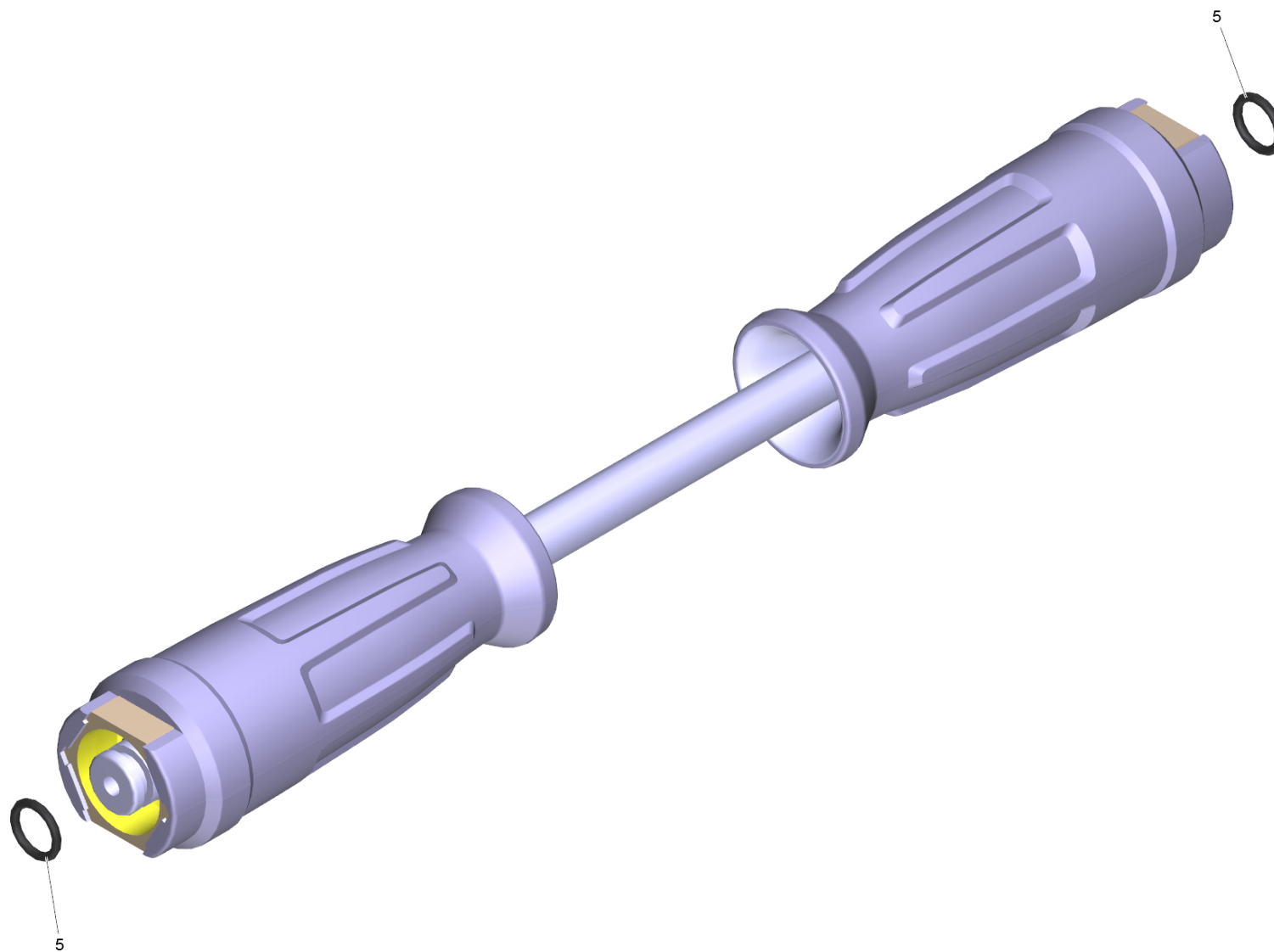


1 HD 10/25-4 S

POS	Article no.	Description	Quantity	Unit
500		Unit HD 10/25-4 S	1	PC
350	2.113-009.0	Power nozzle TR 25047	1	PC
430	2.640-492.0	Set water connection 1 "	1	PC
330	4.112-000.0	Jet pipe TR 1050 mm	1	PC
320	4.118-005.0	EASY!Force Advanced	1	PC
900	4.118-008.0	Rotary controller TR 416L	1	PC
460	5.044-802.0	Cable clip	1	PC
321	5.394-378.0	Protecting cap TR 22	1	PC
310	6.110-031.0	Hose assembly TR rotatable DN8 31,5MPa 1	1	PC
331	6.368-080.0	Protecting cap	1	PC

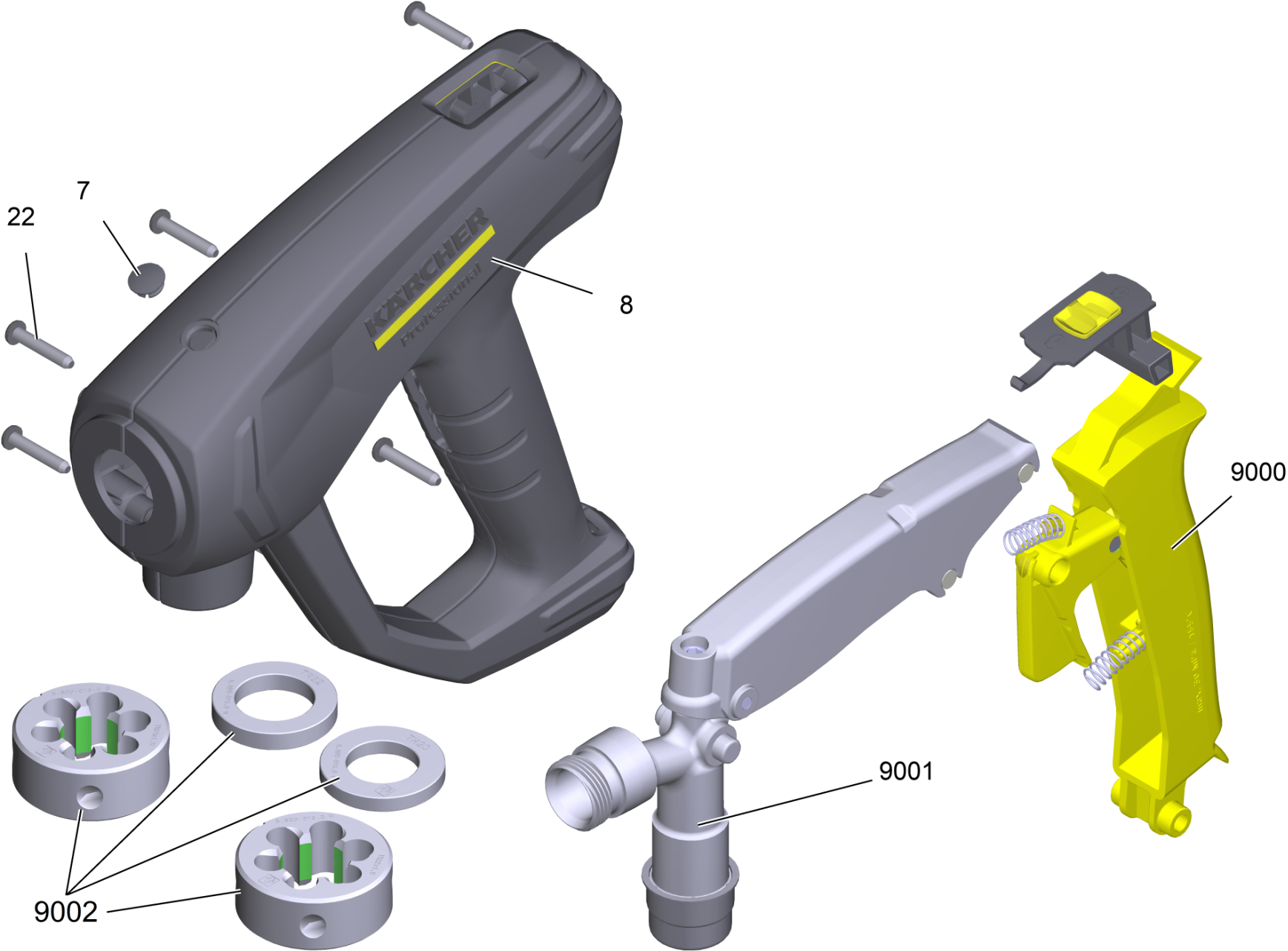
310 Hose assembly TR rotatable DN8 31,5MPa 1 (6.110-031.0)

POS	Description	Quantity	Unit
1	Hose assembly TR rotatable DN8 31,5MPa 1	1	PC



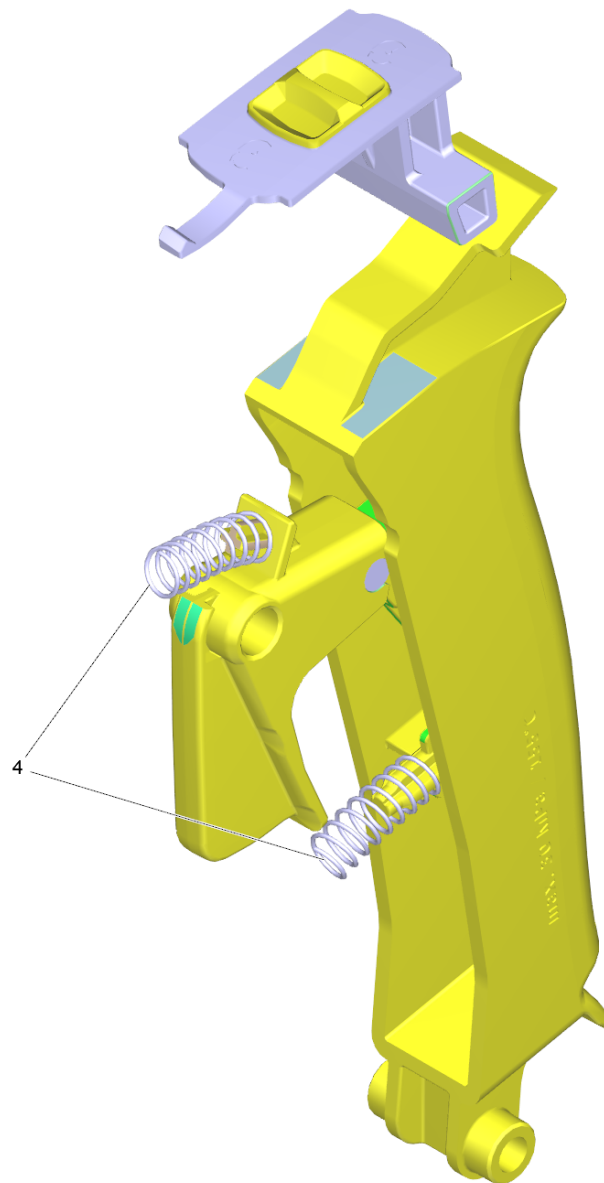
1 Hose assembly TR rotatable DN8 31,5MPa 1

POS	Article no.	Description	Quantity	Unit
5	2.880-154.0	O-Ring kit	1	PC



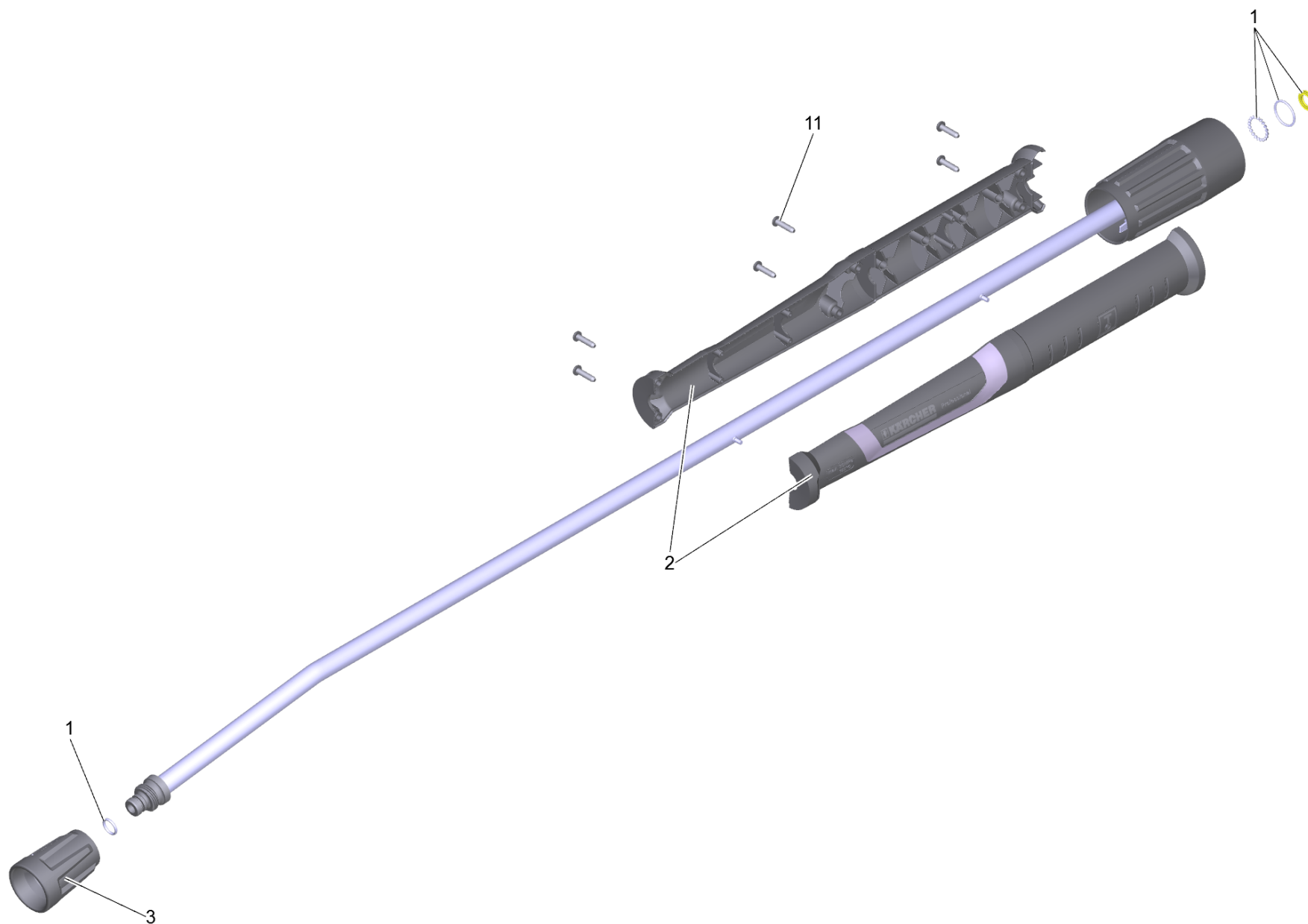
320 EASY!Force Advanced (4.118-005.0)

POS	Article no.	Description	Quantity	Unit	Remark
9000	2.885-483.0	Spare part set lever	1	PC	
9001	4.427-014.0	Manifold TR EH 155 nur fuer Ersatz	1	PC	
7	5.132-001.0	Plug	1	PC	
8	5.321-136.3	Handhold few EH 155 only for replacement	1	PC	
9002	5.820-015.0	Screwing die kit TR	1	PC	orderable from 1st July 2025
22	7.303-096.0	Screw 4x22-ST-10.9-R2R (IN6RD)	7	PC	



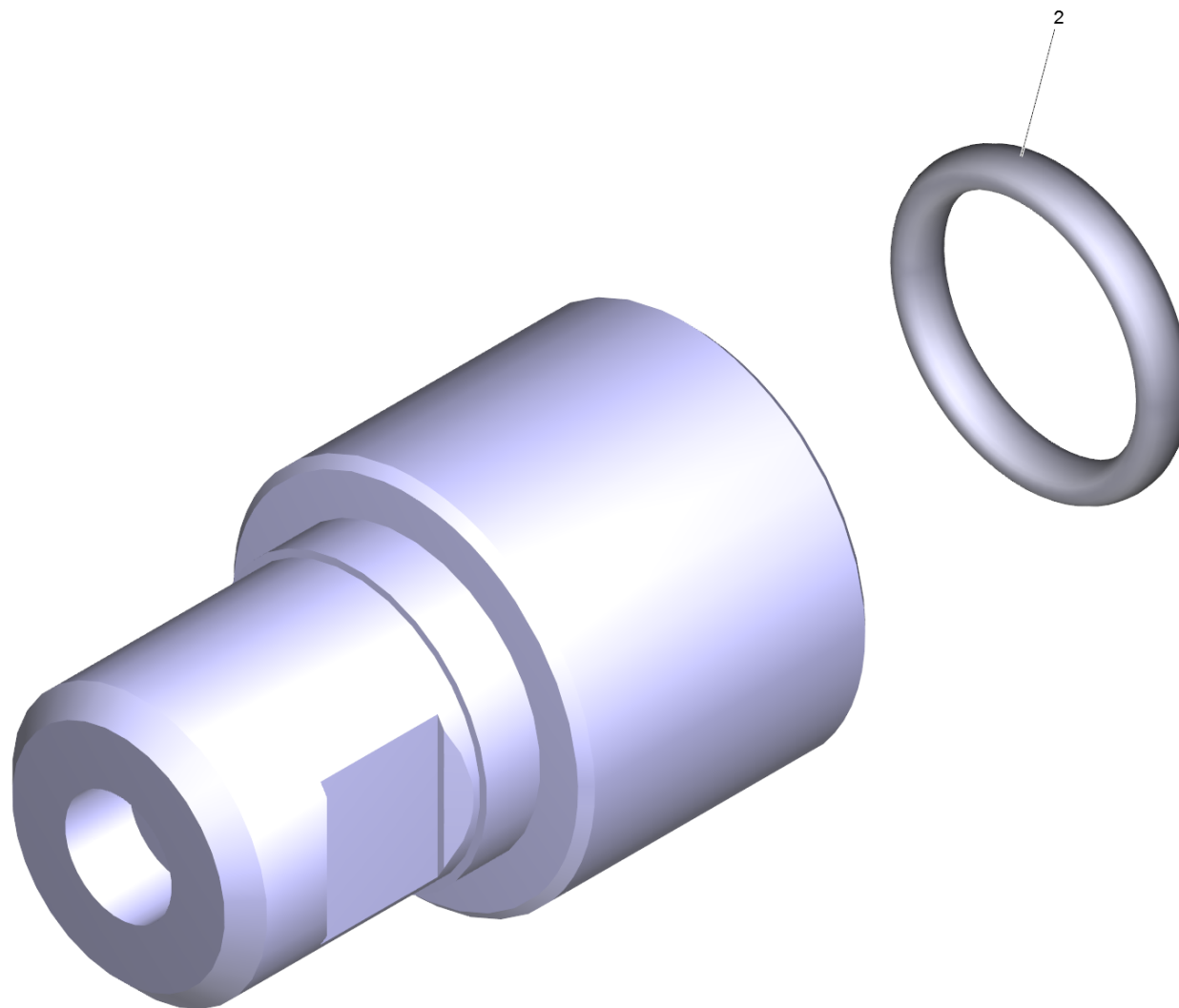
9000 Spare part set lever (2.885-483.0)

POS	Article no.	Description	Quantity	Unit
4	5.332-178.0	Helical spring	2	PC



330 Jet pipe TR 1050 mm (4.112-000.0)

POS	Article no.	Description	Quantity	Unit
1	4.100-688.0	Spare part set seal TR	1	PC
3	4.112-011.0	Protection part TR only for replacement	1	PC
2	5.321-018.3	Handle bowl jet pipe only for replacemen	1	PC
11	7.303-129.0	Screw 4x16-10.9-R2R (K-In6Rd)	6	PC

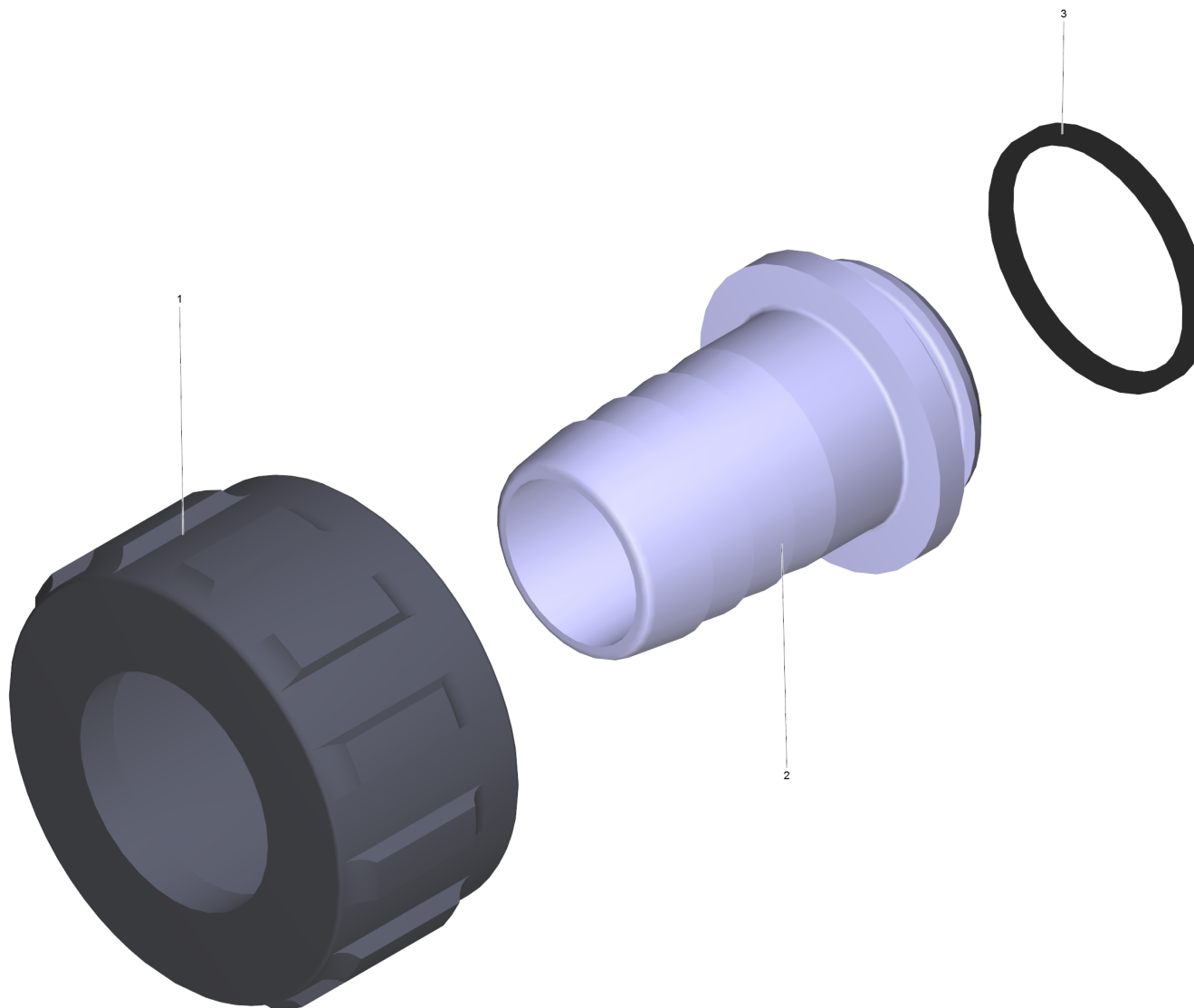


350 Power nozzle TR 25047 (2.113-009.0)

POS	Article no.	Description	Quantity	Unit
2	2.880-001.0	Spare part set seals TR	1	PC

2 Spare part set seals TR (2.880-001.0)

POS	Article no.	Description	Quantity	Unit
1	4.100-710.0	O-Ring seal spare part set 50x	1	PC
2	4.100-711.0	Quad joint ring spare part set 50x	1	PC
3	4.101-244.0	O-Ring kit 10x 2 mm	1	PC



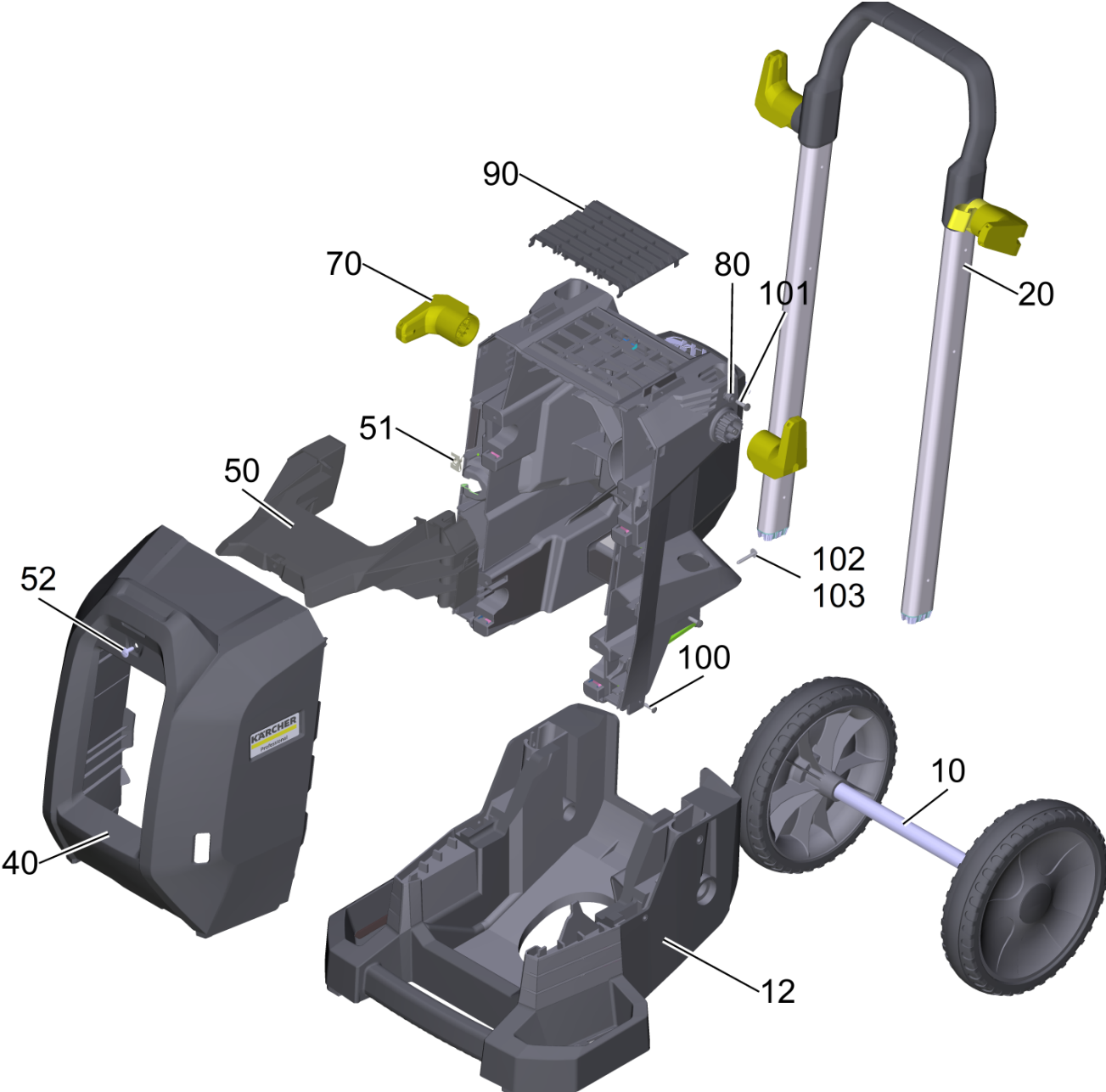
430 Set water connection 1 " (2.640-492.0)

POS	Article no.	Description	Quantity	Unit
1	5.310-076.0	Nut	1	PC
2	5.443-291.0	Hose stem	1	PC
3	6.362-161.0	O-Ring seal 19,3 X 2,4	1	PC



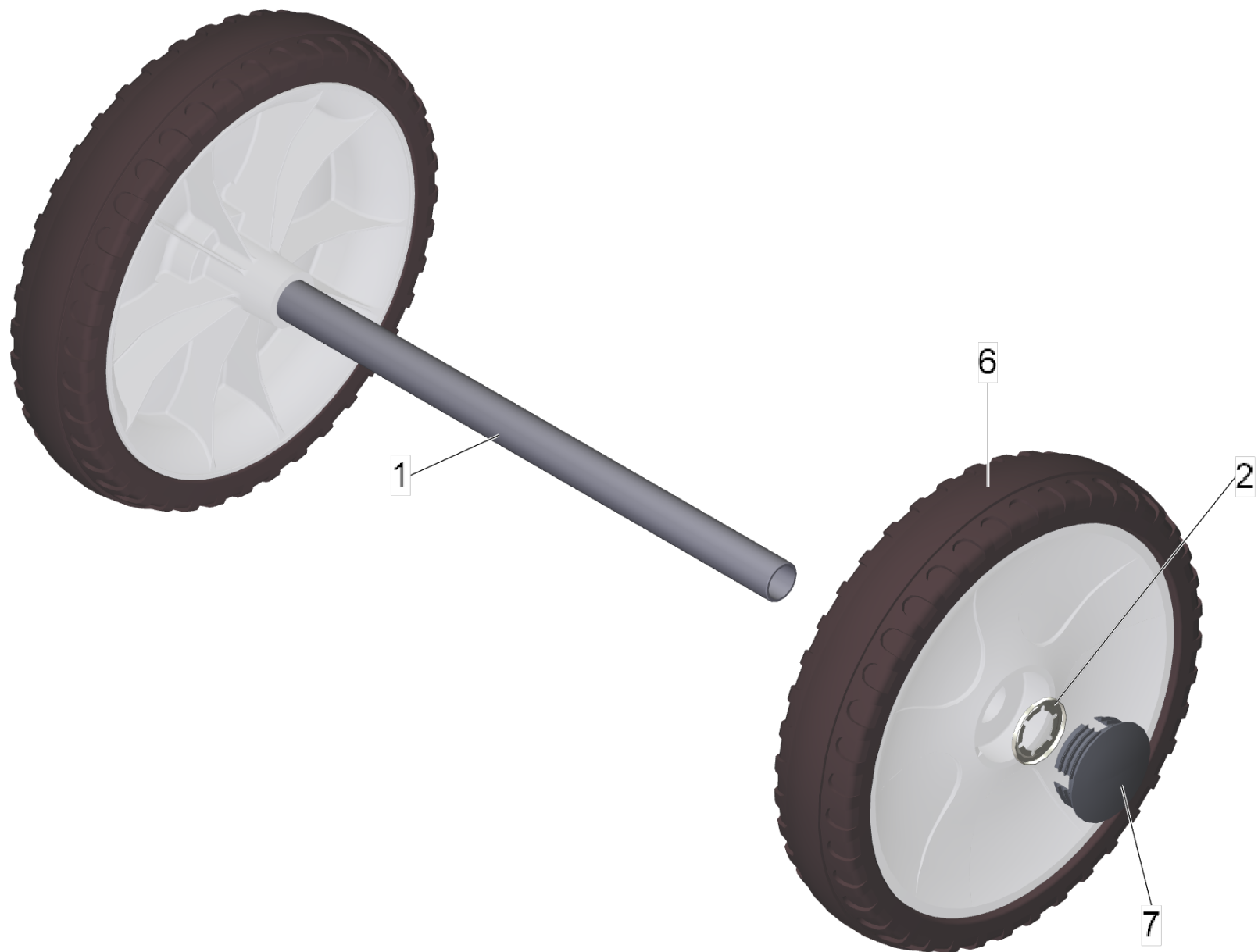
500 Unit HD 10/25-4 S

POS	Article no.	Description	Quantity	Unit
100		Platform housing kit HD S	1	PC
500		Pump set HD 10/25-4 S EU 62W1628	1	PC
530		Mounting material pump set	1	PC
220	4.060-039.0	Tensioning rope complete	1	PC
200	5.385-502.0	Label logo clipped L Professional	2	PC
210	5.385-507.0	Label signet clipped L Professional	1	PC
221	6.368-224.0	Plug	1	PC



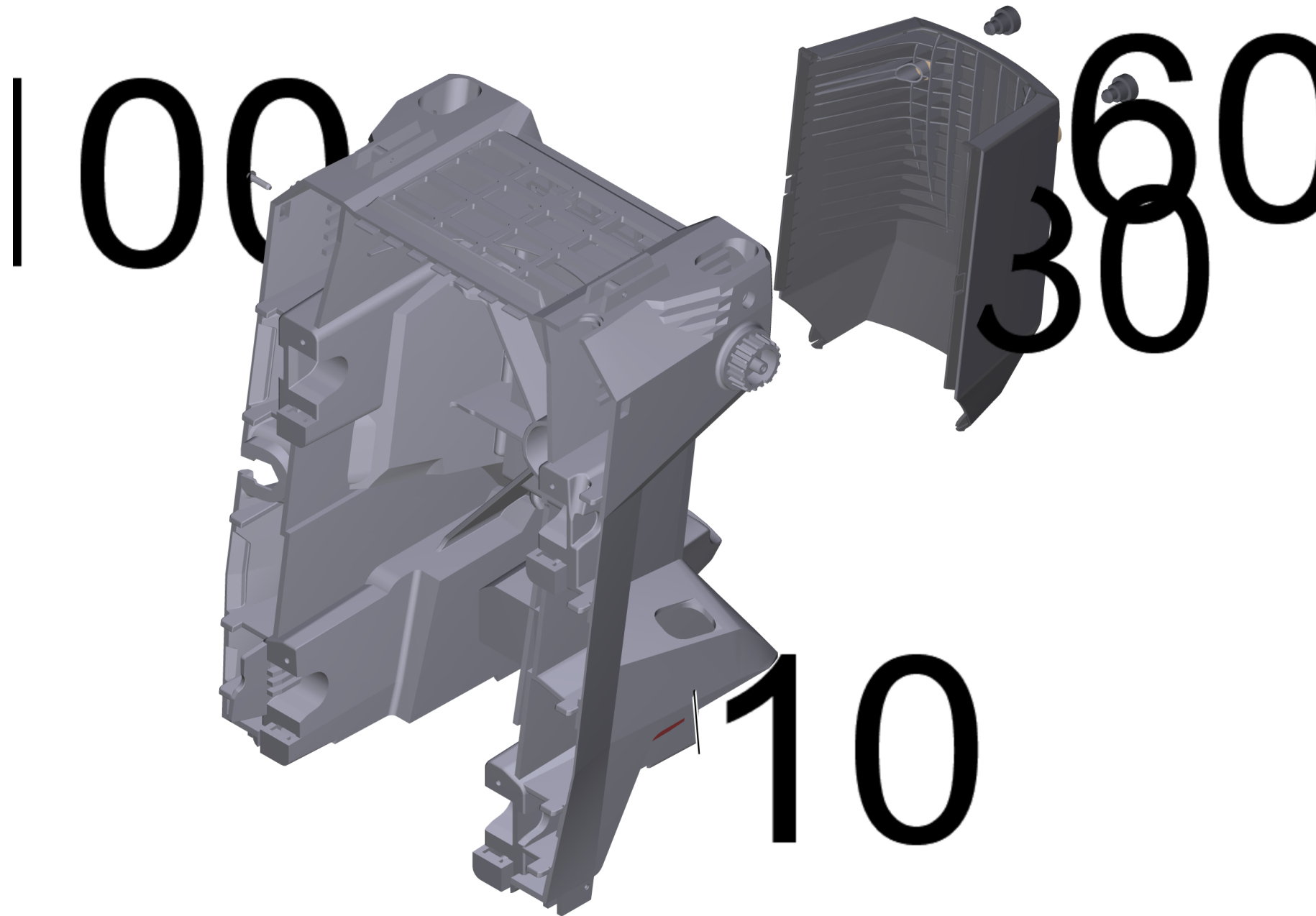
100 Platform housing kit HD S

POS	Article no.	Description	Quantity	Unit
10		Carriage HD-S	1	PC
11		Rear panel pre-assembly	1	PC
12		Housing bottom part pre-assembly	1	PC
40	4.101-070.0	Cover cpl. HD-S	1	PC
20	4.645-730.3	Handhold cpl.	1	PC
50	5.038-476.3	Roll bar	1	PC
70	5.038-486.0	Hook	1	PC
90	5.038-498.3	Grate ventilation	1	PC
80	5.901-279.0	Bush	4	PC
52	6.304-099.0	Saucer-head screw M 6x 18-4.8-R2R	1	PC
51	6.310-053.0	Putting nut	1	PC
101	7.303-048.0	Screw M6x20 -St-R3R (In6Rd)	6	PC
100	7.303-108.0	Screw 5x20-10.9-R2R (In6Rd)	3	PC
102	7.303-110.0	Screw 5x35-10.9-R2R (In6Rd)	2	PC
103	7.312-031.0	Washer 5-200HV-ZNBH ISO 7093-1	2	PC



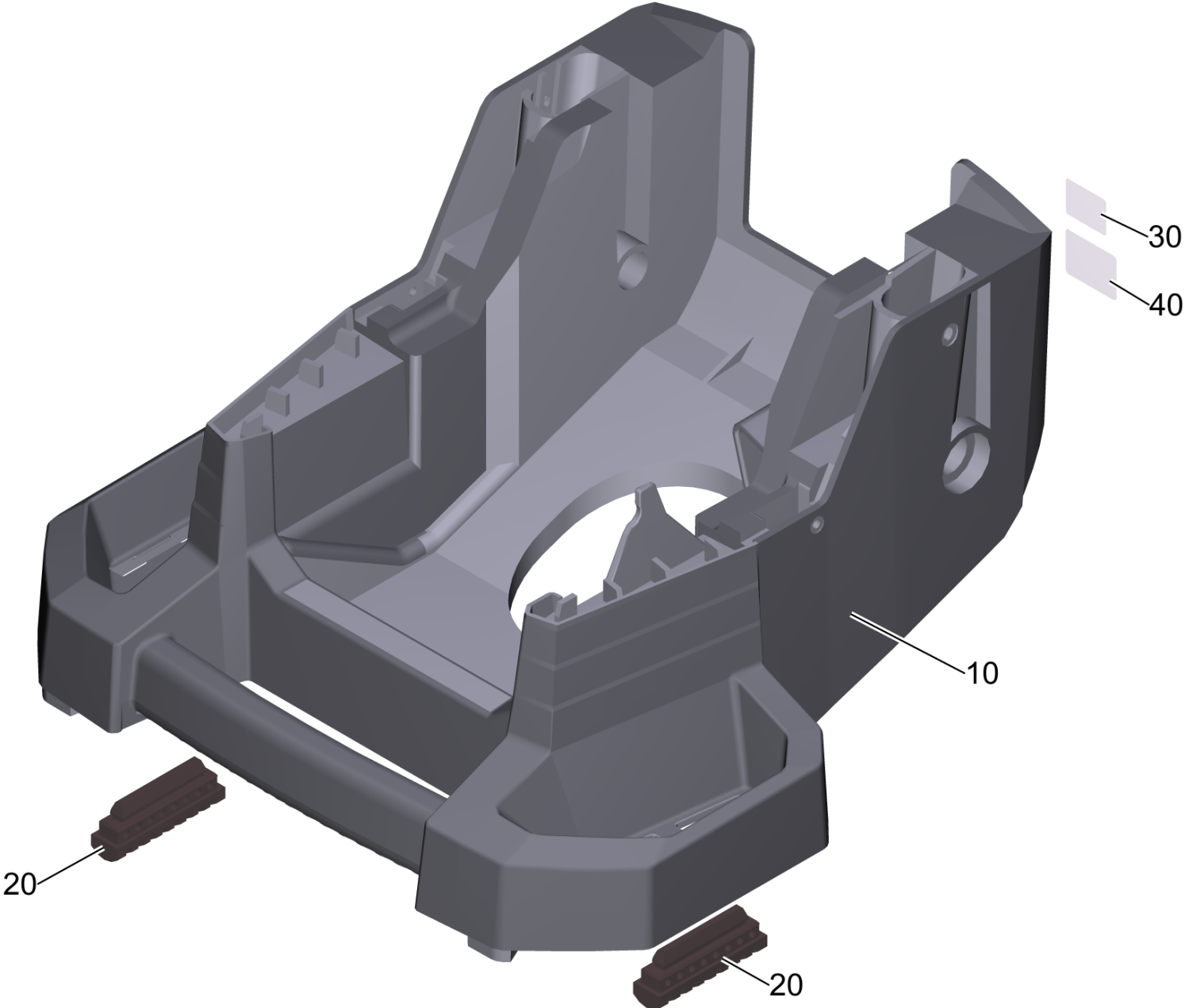
10 Carriage HD-S

POS	Article no.	Description	Quantity	Unit
7	2.889-086.0	Set wheel cap	1	PC
6	4.515-344.0	Wheel complete	2	PC
1	5.038-484.3	Axle	1	PC
2	6.343-162.0	Lock washer D25	2	PC



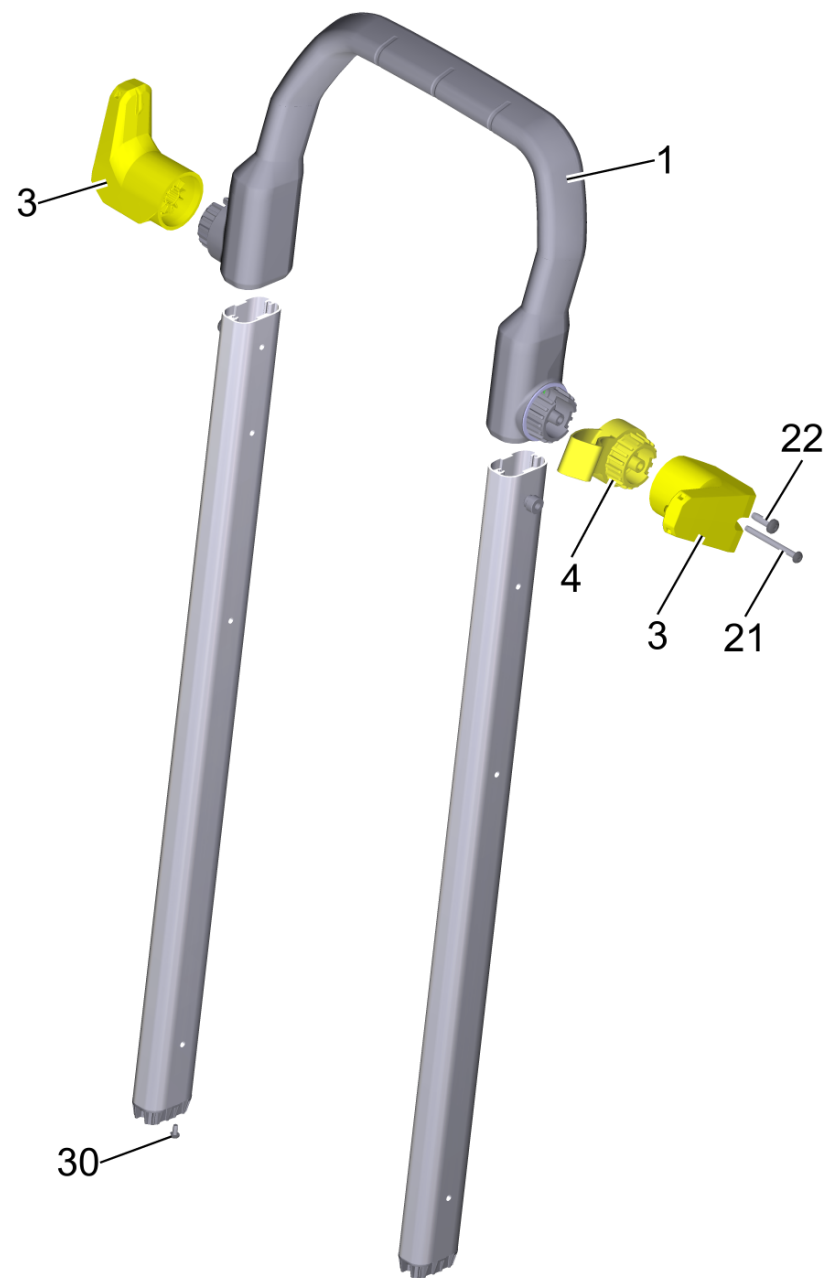
11 Rear panel pre-assembly

POS	Article no.	Description	Quantity	Unit
10	5.038-286.3	Housing rear panel	1	PC
30	5.521-019.3	Bumper	1	PC
60	5.767-032.0	Rubber buffer	2	PC
100	7.303-108.0	Screw 5x20-10.9-R2R (In6Rd)	1	PC



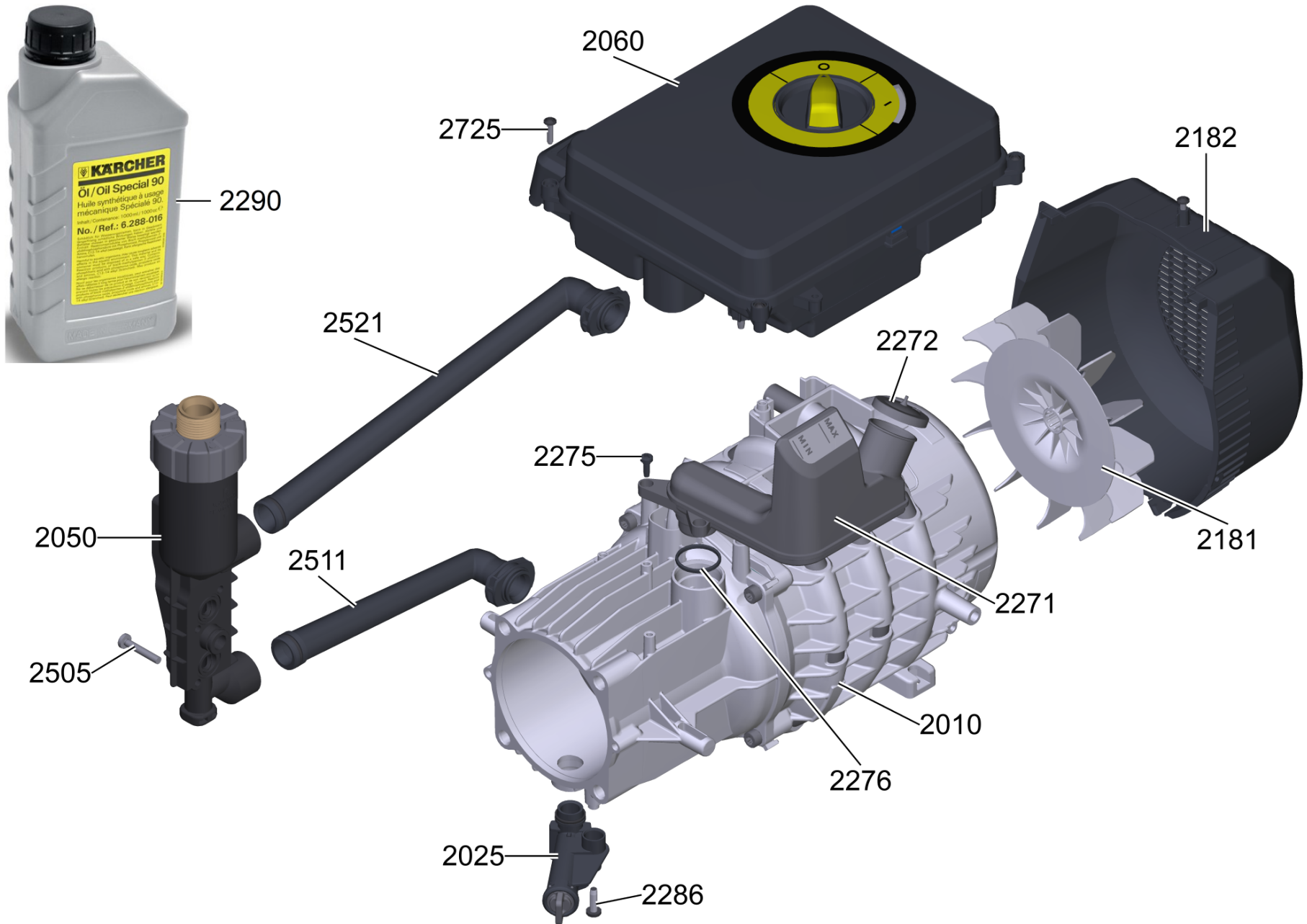
12 Housing bottom part pre-assembly

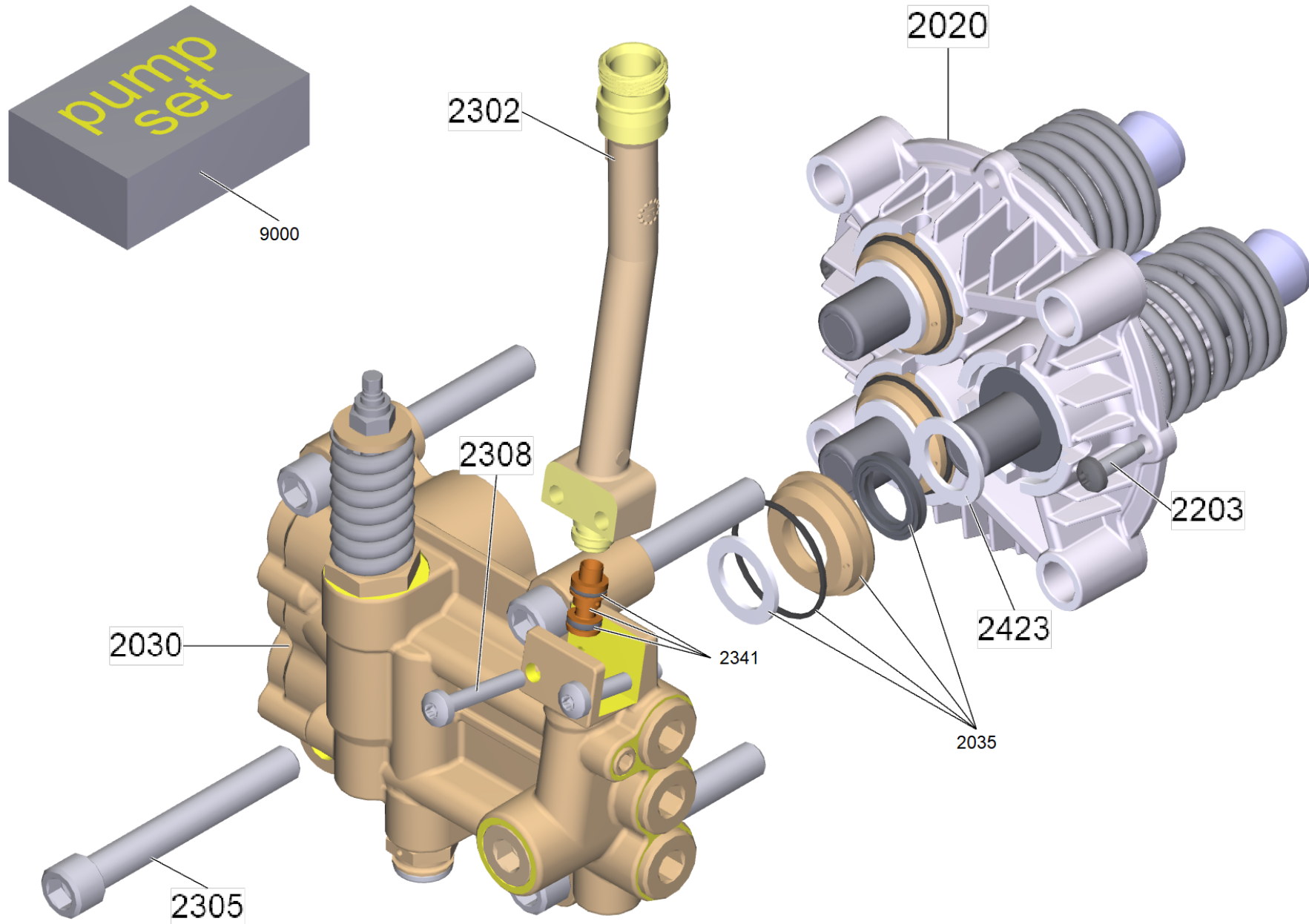
POS	Article no.	Description	Quantity	Unit
10	5.038-475.3	Housing bottom part plastics	1	PC
20	5.057-062.0	Support	2	PC
40	5.385-365.0	Label 93 dB	1	PC
30	5.387-620.0	Warning sign new	1	PC



20 Handhold cpl. (4.645-730.3)

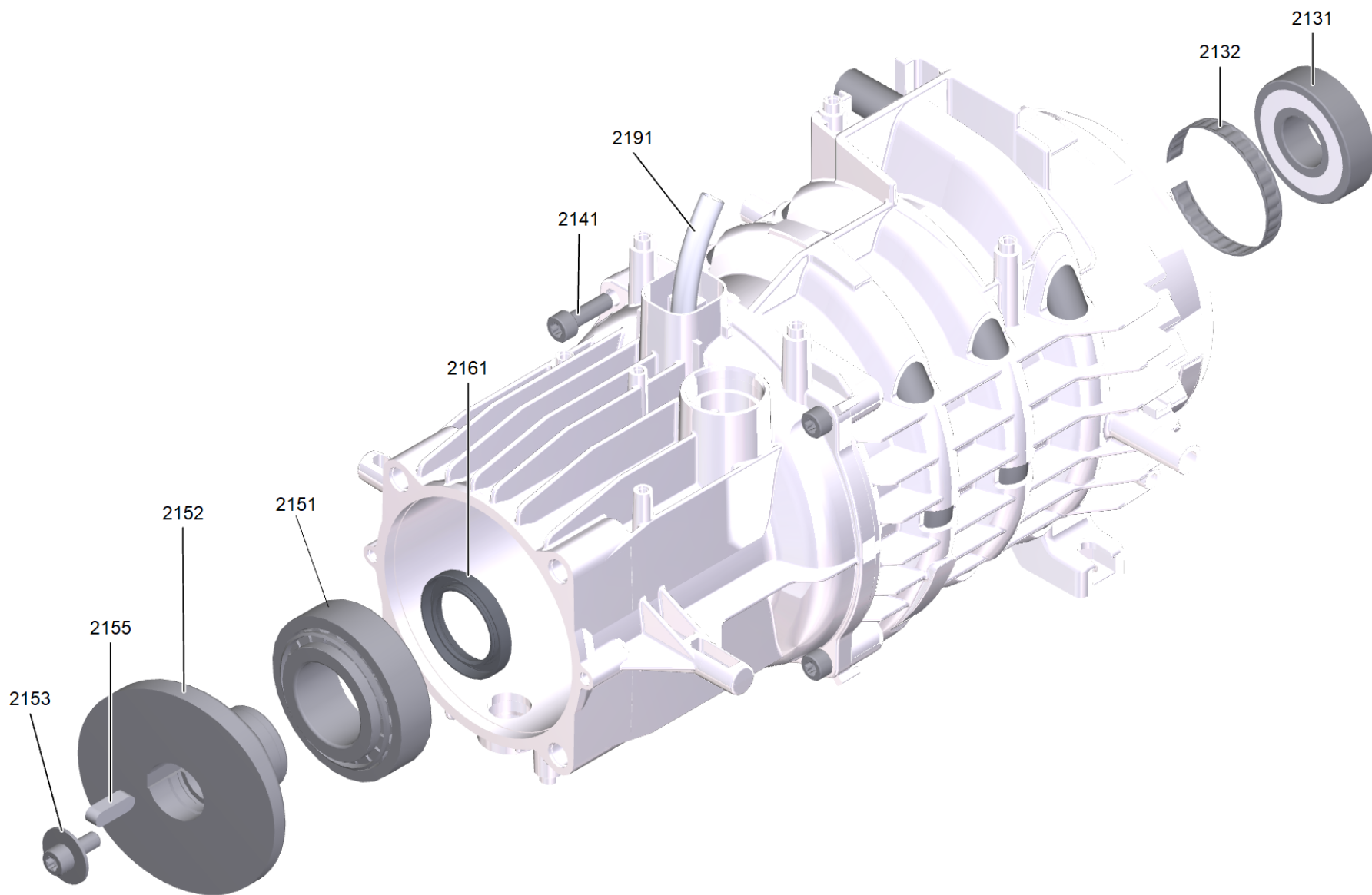
POS	Article no.	Description	Quantity	Unit
1	5.038-285.3	Hand grip	1	PC
3	5.038-486.0	Hook	2	PC
4	5.646-085.0	Clip 41	1	PC
30	7.303-030.0	Screw M4x8 -St-P2R (In6Rd)	4	PC
21	7.303-045.0	Screw M5x55 -St-ZNBHL (In6Rd)	2	PC
22	7.303-048.0	Screw M6x20 -St-R3R (In6Rd)	2	PC
30	7.303-319.0	Screw M4x8-St-flZnncTlx240hx (In6Rd)	4	PC
Item text1: replaced by 7.303-030.0				





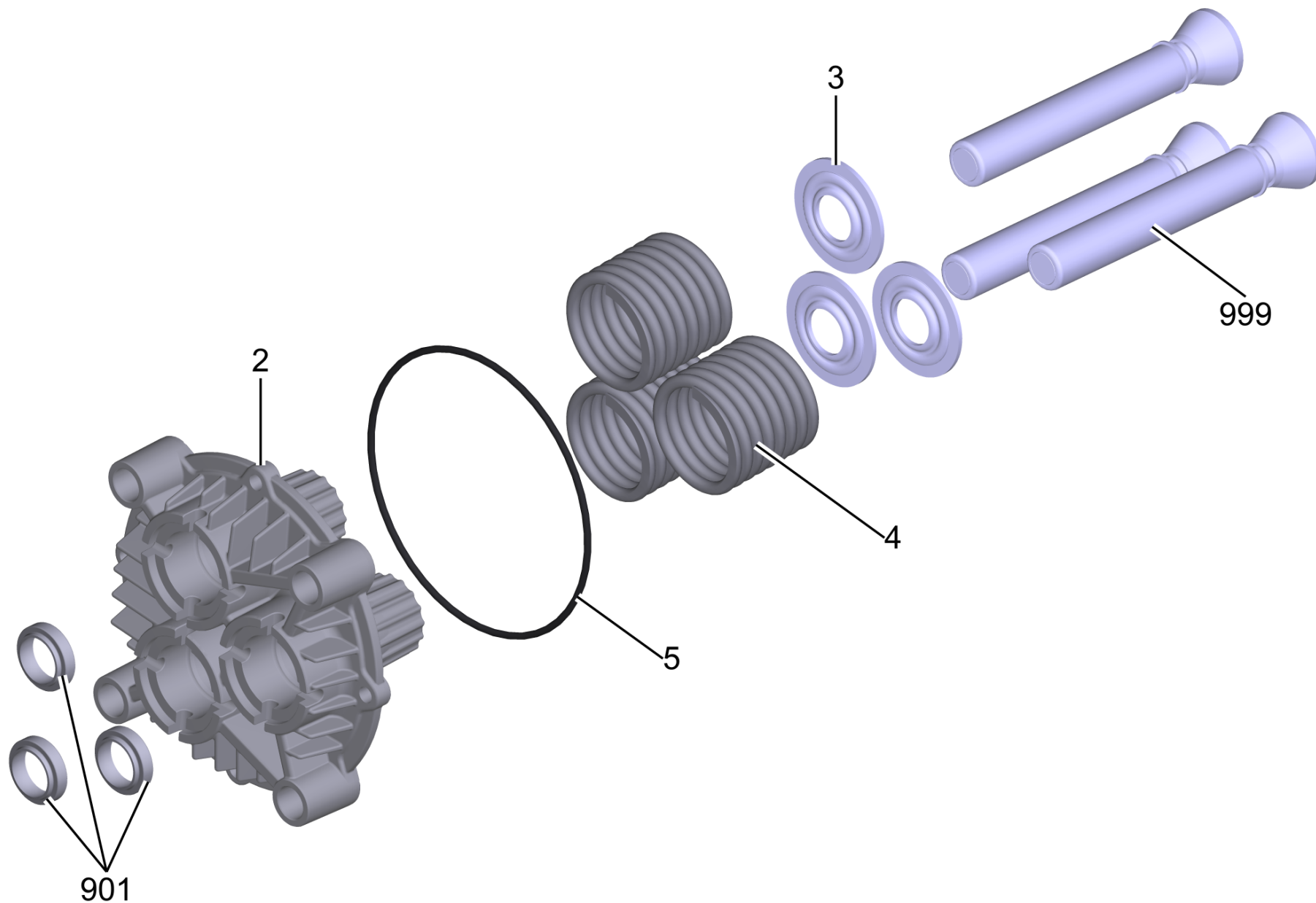
500 Pump set HD 10/25-4 S EU 62W1628

POS	Article no.	Description	Quantity	Unit
2020		Piston guidance cpl. 62 20	1	PC
2030		Cylinder head cpl. 62 20	1	PC
2035		Bush low-pressure cpl. D20	3	PC
2050		Water intake cpl.	1	PC
2060		Electric control box	1	PC
2271	4.101-077.0	Oil container cpl.	1	PC
2341	4.101-079.0	Nozzle insert cpl.	1	PC
2511	4.101-080.0	Manifold short cpl.	1	PC
2521	4.101-081.0	Manifold long cpl.	1	PC
9000	4.101-087.0	Pump set HD-S U D20	1	PC
2302	4.101-094.0	High-pressure outlet cpl.	1	PC
2025	4.444-132.0	Oil drain connection piece cpl.	1	PC
2010	4.624-496.3	Transmission 62 W 16 28	1	PC
2272	5.064-457.0	Cover plate qusty grey oil	1	PC
2423	5.115-538.0	Washer	3	PC
2181	5.600-053.3	Blower wheel D186	1	PC
2182	5.692-035.3	Air circulation W 15/16	1	PC
2290	6.288-016.0	Gear oil 1L	1	PC
2275	6.303-153.0	Screw M5x15-ST-R2R (In6RD)	1	PC
2276	6.362-722.0	O-Ring seal 28,0 X 3,0	1	PC
2203	7.303-048.0	Screw M6x20 -St-R3R (In6Rd)	2	PC
2286	7.303-048.0	Screw M6x20 -St-R3R (In6Rd)	1	PC
2725	7.303-108.0	Screw 5x20-10.9-R2R (In6Rd)	1	PC
2726	7.303-108.0	Screw 5x20-10.9-R2R (In6Rd)	1	PC
2308	7.306-118.0	Screw M6x35 -8.8-P2R (In6Rd)	2	PC
2505	7.306-118.0	Screw M6x35 -8.8-P2R (In6Rd)	4	PC
2305	7.306-430.0	Cylinder head screw M12x90-10.9-A3K ISO 4762	4	PC



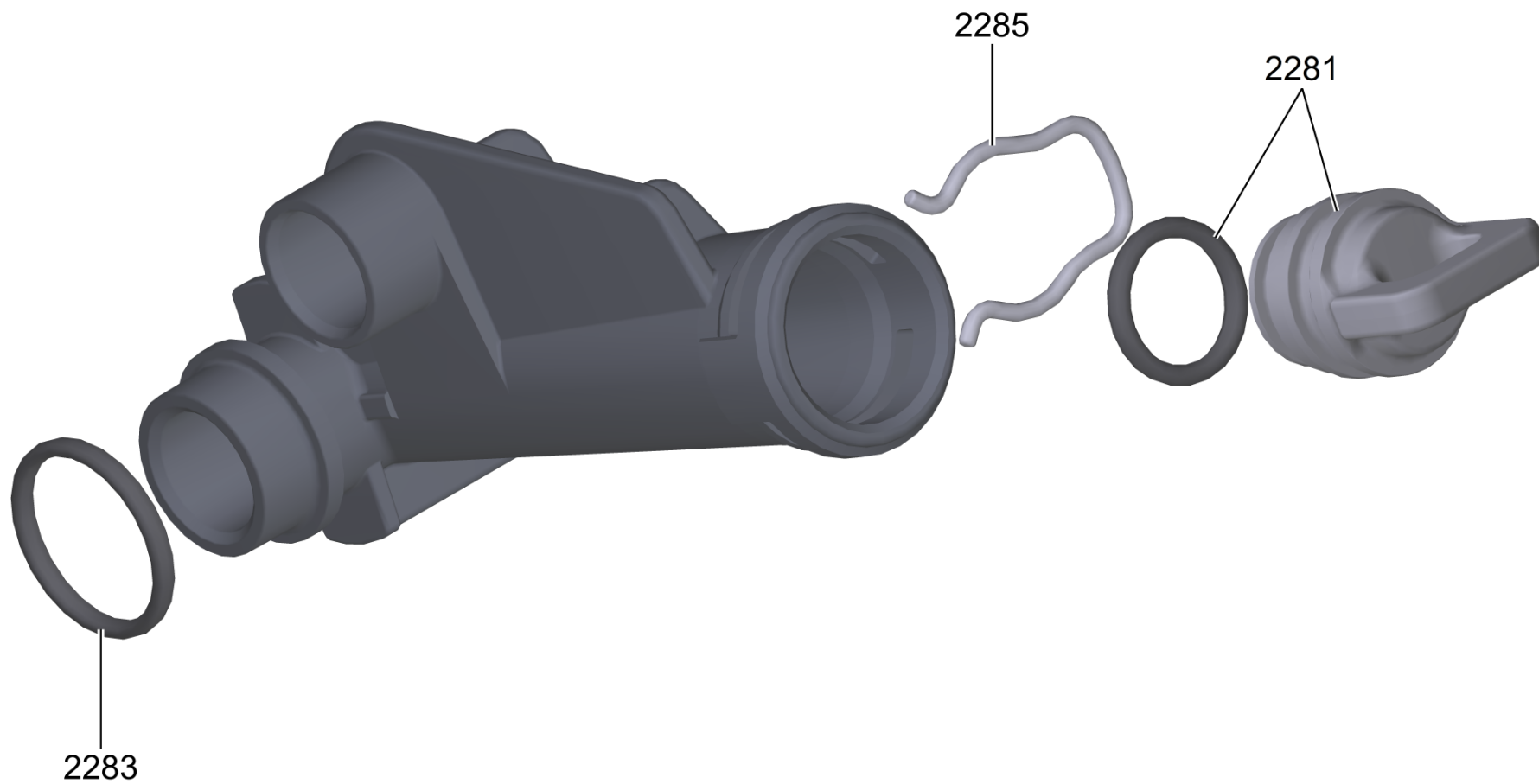
2010 Transmission 62 W 16 28 (4.624-496.3)

POS	Article no.	Description	Quantity	Unit
2152	4.120-240.0	Wobble plate -nur für Ersatz-	1	PC
2153	6.303-173.0	Screw with washer M8x20 D28	1	PC
2132	6.343-010.0	Tolerance ring 62x10	1	PC
2151	6.401-225.3	Taper roller bearing 41	1	PC
2131	6.401-253.0	Ball bearing 6305-2Z	1	PC
2191	6.642-043.0	Insulating hose 10	1	m
2141	7.306-166.0	Cylinder head screw M8x25 -8.8-A2E ISO 14579	4	PC
2155	7.318-035.0	Parallel key 8x7x25 -C45K DIN 6885-1	1	PC
2161	7.367-009.0	Radial shaft seal ring A35x52x7-NBR DIN	1	PC



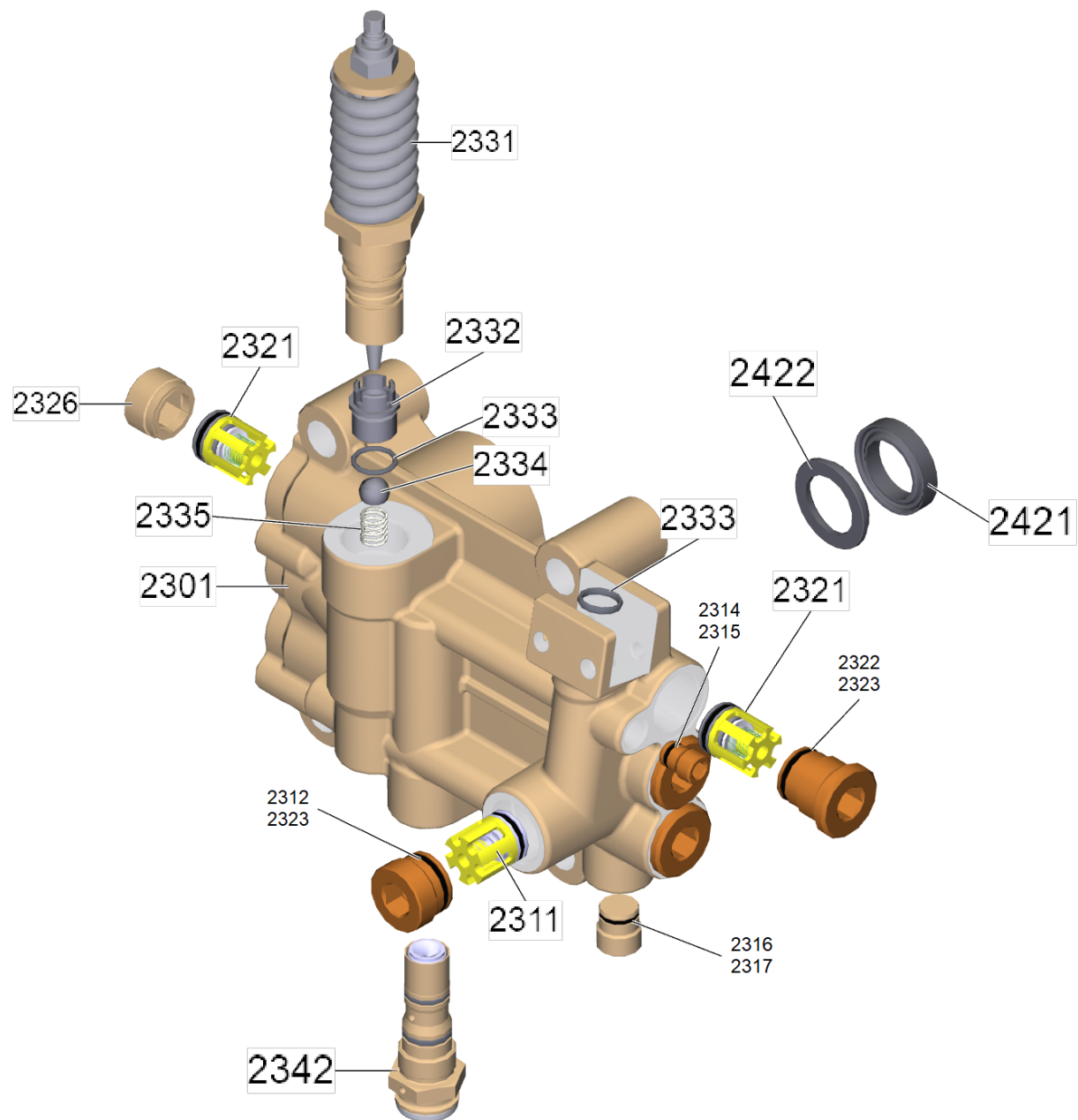
2020 Piston guidance cpl. 62 20

POS	Article no.	Description	Quantity	Unit
999	4.553-290.3	Piston complete D20	3	PC
2	5.060-936.3	Thrust guidance D 20	1	PC
3	5.115-991.0	Washer	3	PC
4	5.332-187.0	Helical spring	3	PC
5	6.363-228.0	O-Ring seal 114 x 3	1	PC
901	6.365-052.0	Grooved ring 20X28X6/8	3	PC



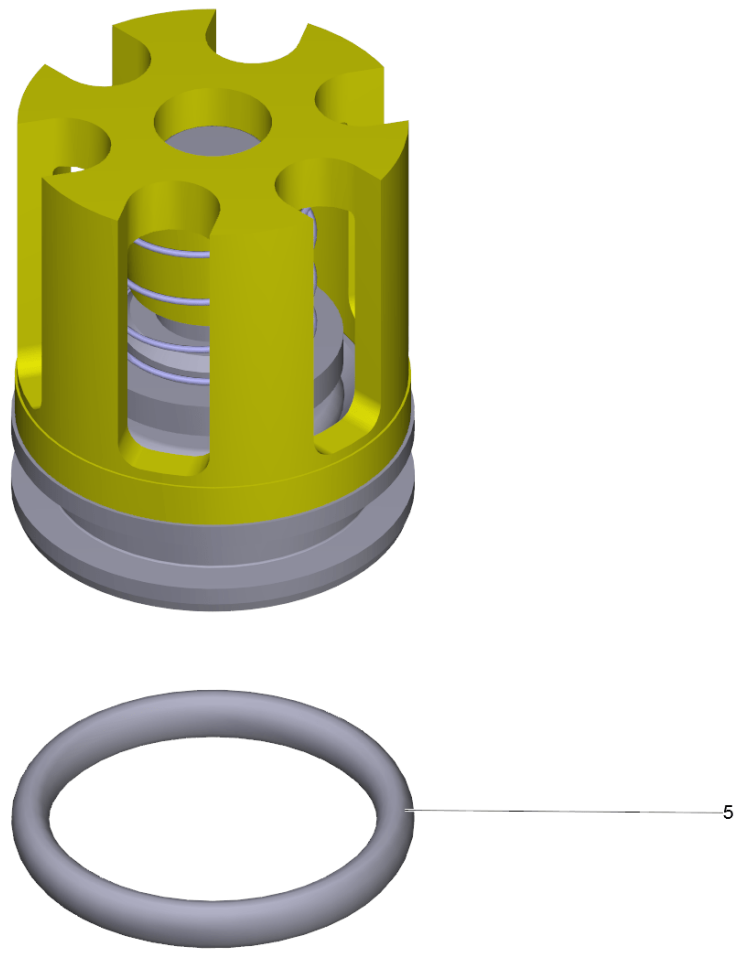
2025 Oil drain connection piece cpl. (4.444-132.0)

POS	Article no.	Description	Quantity	Unit
2281	4.101-073.0	Plug oil drain cpl.	1	PC
	Item text1: replaced by 4.444-132.0			
2285	5.048-915.0	Clamp	1	PC
2283	6.363-610.0	O-Ring seal 13 x 3 -NBR	1	PC



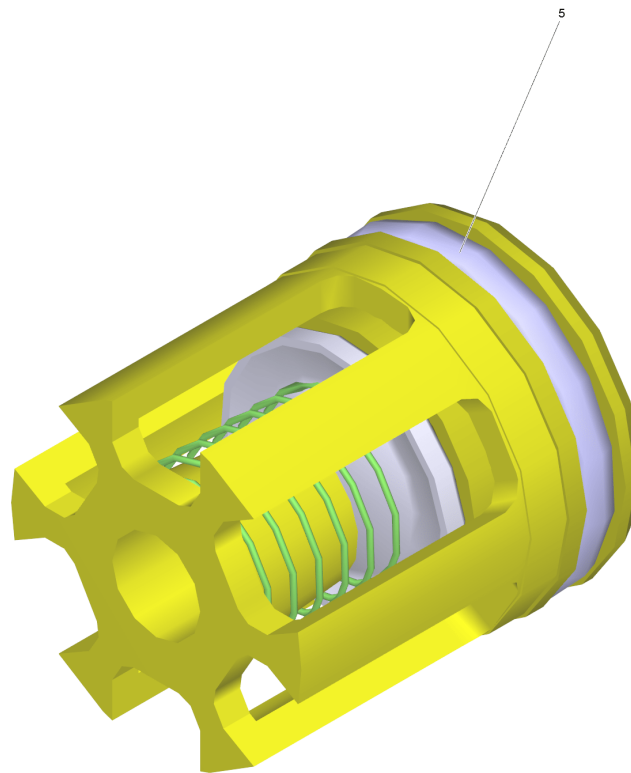
2030 Cylinder head cpl. 62 20

POS	Article no.	Description	Quantity	Unit	Remark
2321	2.884-512.0	Valve (3 Stueck)	2	PC	
2331	2.885-385.0	Spare part set overflow valve	1	PC	
2332	4.101-074.0	Valve seat cpl.	1	PC	includes 2333,2334,2335
2342	4.580-189.3	Control piston cpl.	1	PC	
2311	4.580-594.0	Valve complete	1	PC	
2335	5.332-999.0	Helical spring	1	PC	
2316	5.411-152.0	Screw plug	1	PC	
2314	5.411-161.0	CLOSING SCREW M10X1	2	PC	
2312	5.411-166.0	CLOSING SCREW	1	PC	
2301	5.550-042.3	Cylinder head 62 20	1	PC	
2326	5.583-023.0	Valve screw M20x1 SW12	3	PC	
2322	5.583-146.3	Valve screw	3	PC	
2333	6.362-151.0	O-Ring d. 10 x 2 NBR 70	1	PC	
2317	6.362-384.0	O-Ring seal 9x1,5 - NBR 70	1	PC	
2323	6.362-481.0	O-Ring seal 14,0 x 2,0 NBR 80	4	PC	
2315	6.362-703.0	O-Ring seal 6,0x1,5-NBR 70	2	PC	
2421	6.365-377.0	Grooved ring 20x30x6	3	PC	
2422	6.365-378.0	Supportring 20x30x4,2	3	PC	
2334	7.401-910.0	Sphere 3/8 G80-1.4034 DIN 5401	1	PC	



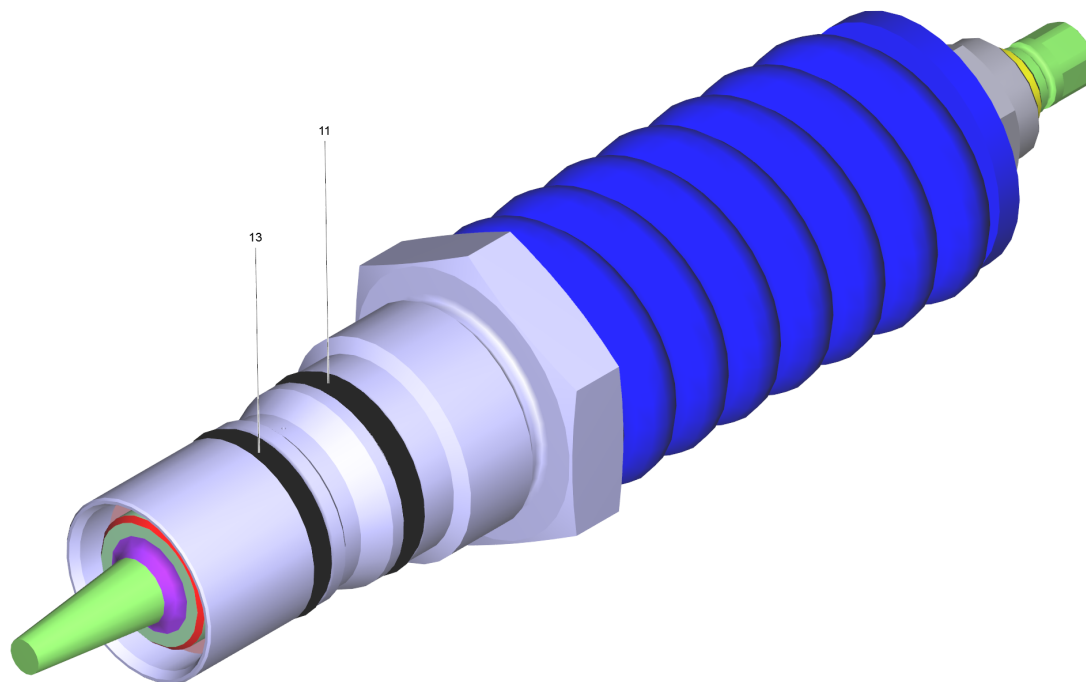
2311 Valve complete (4.580-594.0)

POS	Article no.	Description	Quantity	Unit
5	6.362-381.0	O-Ring seal 13x2 - NBR 70	1	PC



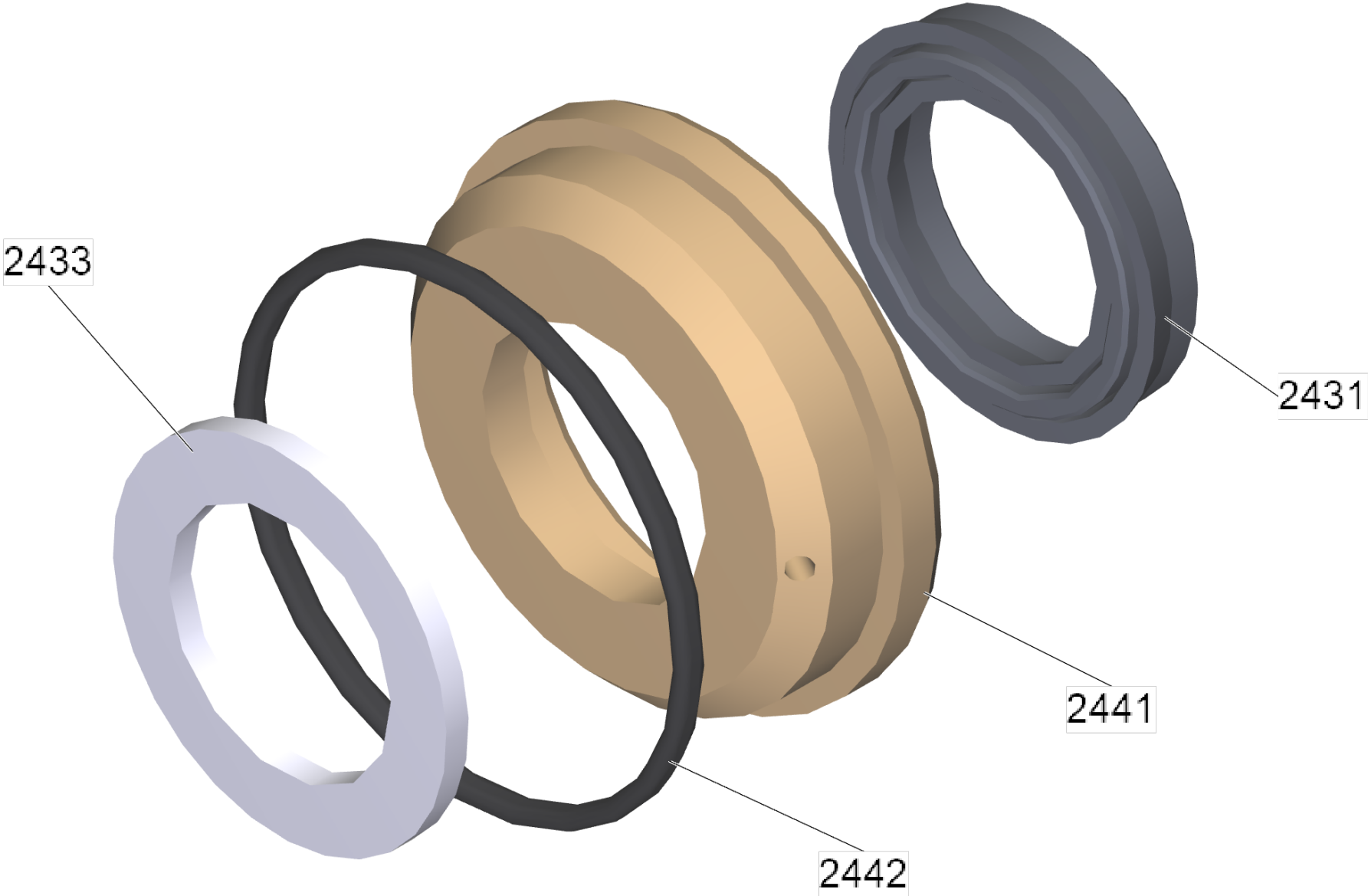
2321 Valve (3 Stueck) (2.884-512.0)

POS	Article no.	Description	Quantity	Unit
5	6.363-003.0	O-Ring seal 13,0 X 2,0-NBR 90	1	PC



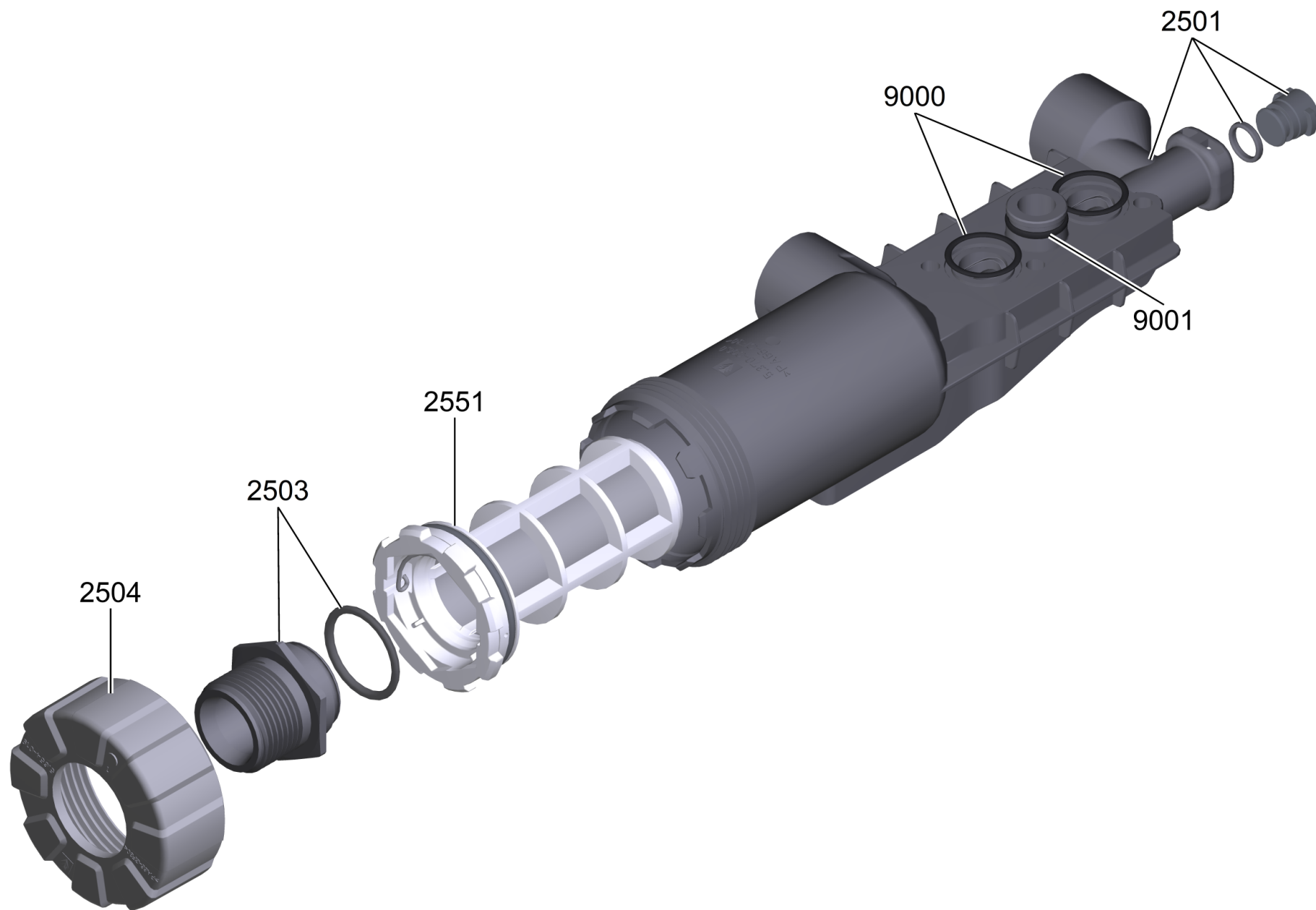
2331 Spare part set overflow valve (2.885-385.0)

POS	Article no.	Description	Quantity	Unit
13	6.363-463.0	O-Ring seal 15 x 1,5	1	PC
11	6.363-480.0	O-Ring seal 15,6x1,78	1	PC



2035 Bush low-pressure cpl. D20

POS	Article no.	Description	Quantity	Unit
2441	5.112-713.3	Bush	1	PC
2433	5.115-537.0	Washer	1	PC
2442	6.362-092.0	O-Ring seal 36,0 X 2,0-NBR 70	1	PC
2431	6.365-380.3	Set of gaskets low-pressure	1	PC



2050 Water intake cpl.

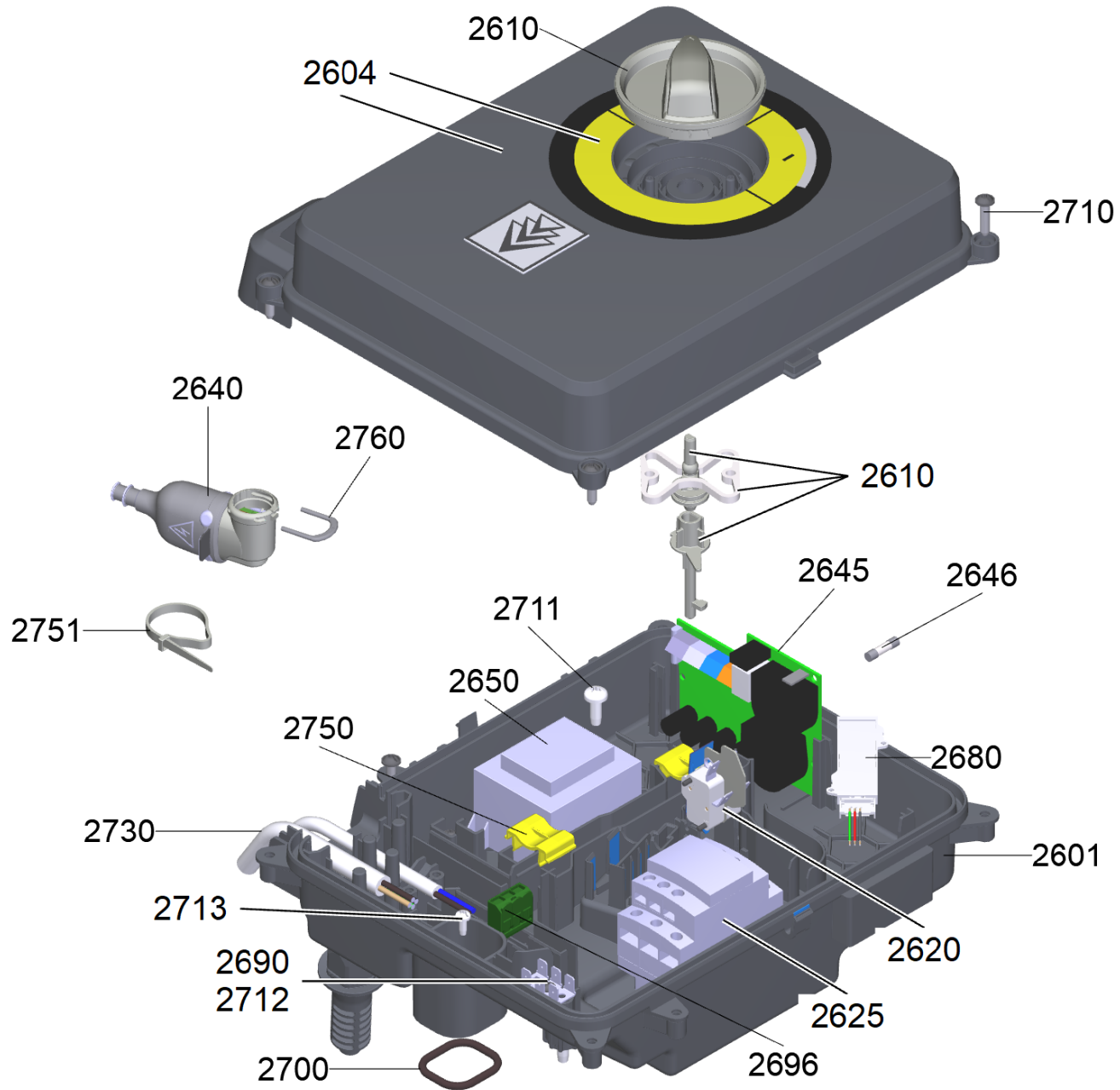
POS	Article no.	Description	Quantity	Unit
2501	4.101-075.0	Water intake cpl.	1	PC
2503	4.101-076.0	Connection piece water intake cpl.	1	PC
2551	4.370-000.0	Filter cartridge	1	PC
2504	5.654-019.0	Nut water intake	1	PC
9001	6.362-174.0	O-Ring seal 16,0 X 2,0-NBR 70	1	PC
9000	6.363-522.0	O-Ring seal 21,2 x 1,78	2	PC

2503 Connection piece water intake cpl. (4.101-076.0)

POS	Article no.	Description	Quantity	Unit
2	6.362-604.0	O-Ring seal 27,0 X 3,0	1	PC

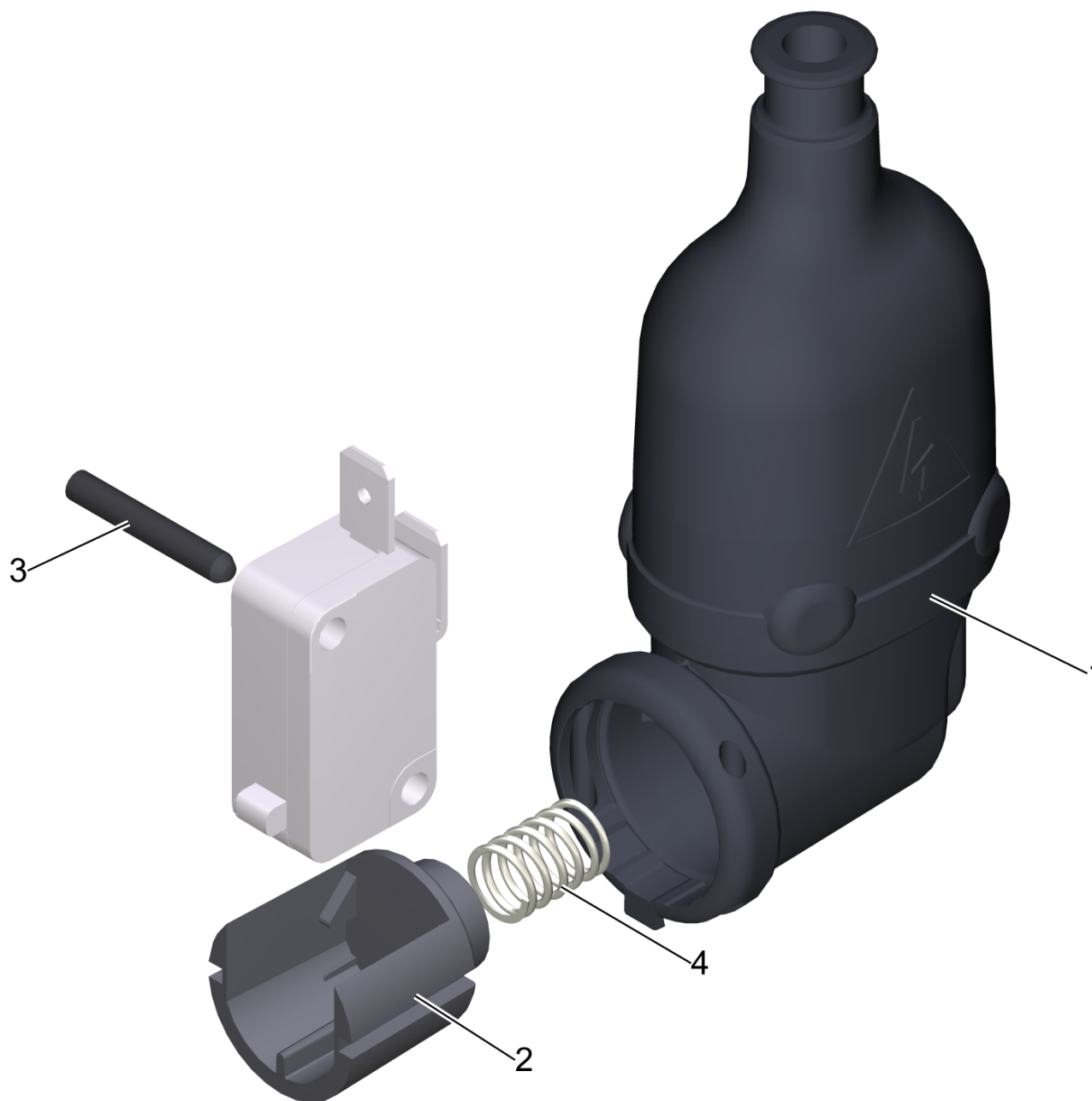
2551 Filter cartridge (4.370-000.0)

POS	Article no.	Description	Quantity	Unit
2509	6.363-090.0	O-Ring seal 47,29 X 2,62 K7..MX	1	PC



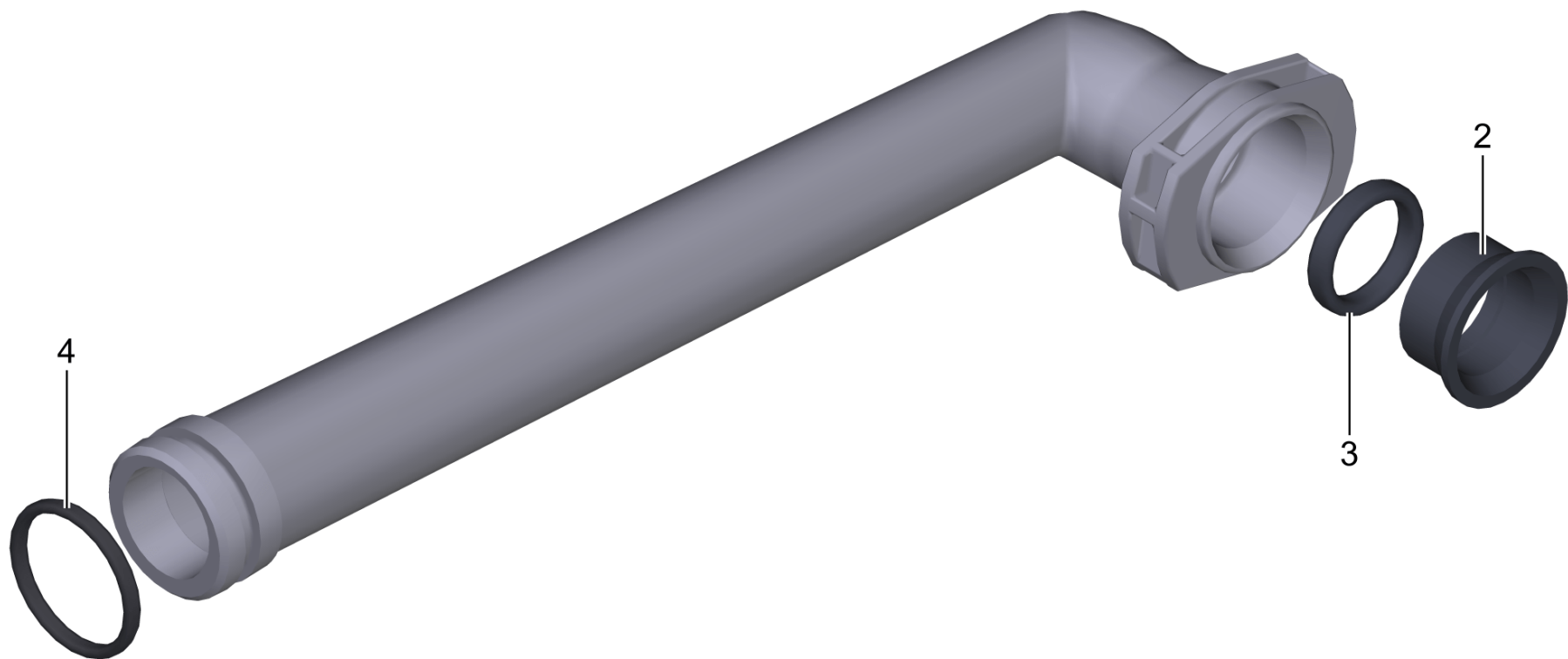
2060 Electric control box

POS	Article no.	Description	Quantity	Unit
2604	4.064-074.3	Cover plate complete	1	PC
2610	4.101-072.0	Handle cpl.	1	PC
2640	4.744-023.0	Switch complete	1	PC
2760	5.034-494.0	Retaining bracket	1	PC
2601	5.060-153.3	Housing electric control box	1	PC
2750	5.802-307.0	Holder cable	2	PC
2700	6.362-193.0	O-Ring seal 31,5x4	1	PC
2650	6.622-221.3	Control transformer	1	PC
2625	6.632-356.0	Contactor LC1-D18 B7	1	PC
2690	6.641-270.0	Plug	1	PC
2751	6.641-458.0	Cable tape nature 4,6x150mm	1	PC
2646	6.644-144.0	Fuse 1A	1	PC
2696	6.644-719.0	Strip terminal 3 connections 0,5 - 6 mm ²	1	PC
2730	6.651-877.3	Cable with plug 4x1,5mm ²	1	PC
2680	6.651-904.3	Lamp Mentor	1	PC
2645	6.682-965.3	Phase failure protection motor Protectio	1	PC
2620	6.961-079.0	Micro switch	1	PC
	Item text1: replaced by 6.961-079.3			
2620	6.961-079.3	Micro switch	1	PC
	Item text1: successor of 6.961-079.0			
2713	7.303-031.0	Screw M4x10 -St-P2R (In6Rd)	1	PC
2711	7.303-047.0	Screw M6x16 -St-R3R (In6Rd)	4	PC
2712	7.303-106.0	Screw 4x12-10.9-R2R (In6Rd)	3	PC
2710	7.303-108.0	Screw 5x20-10.9-R2R (In6Rd)	5	PC



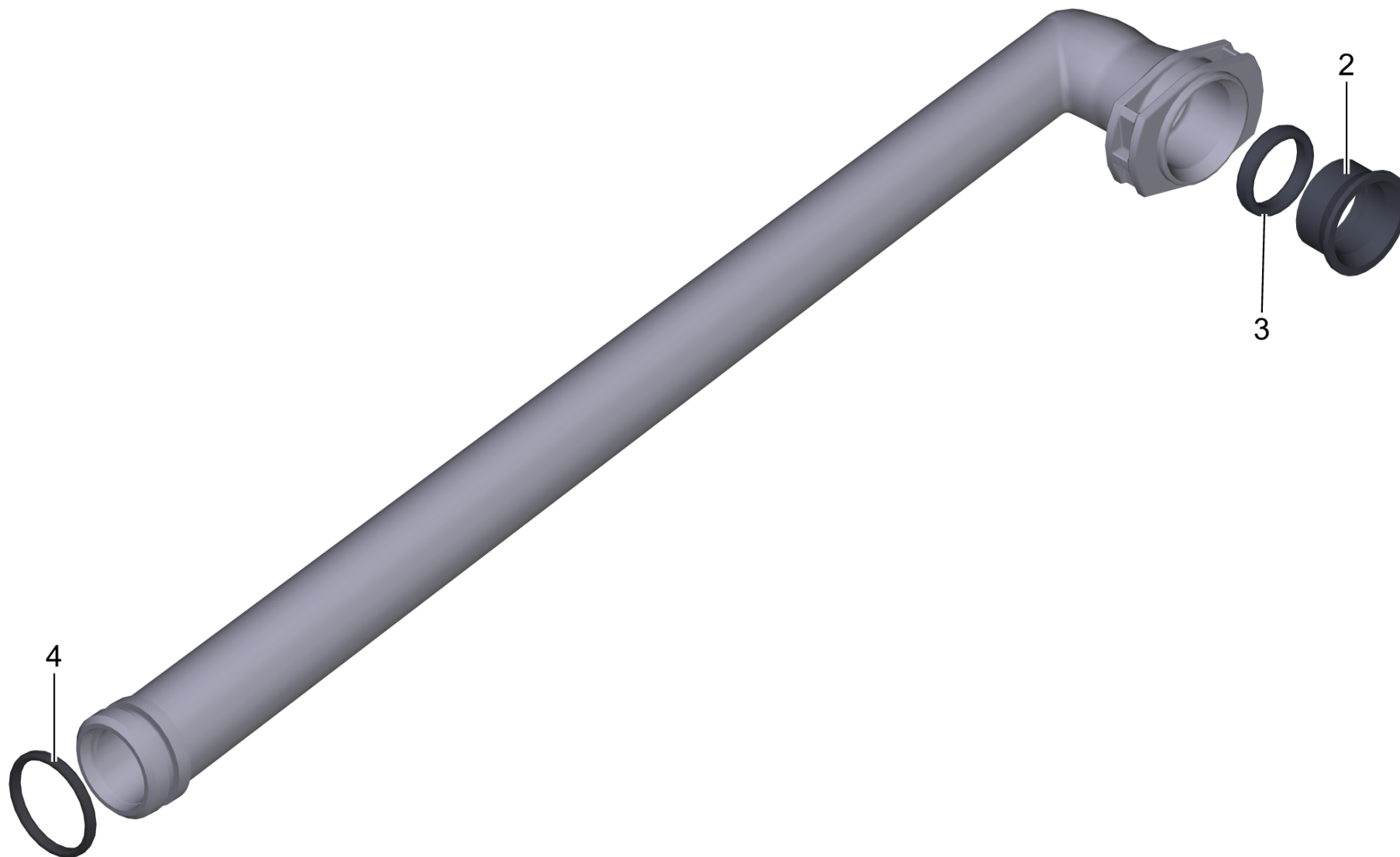
2640 Switch complete (4.744-023.0)

POS	Article no.	Description	Quantity	Unit
1	5.042-860.0	Holder	1	PC
2	5.053-051.0	Bracket	1	PC
4	5.332-322.0	Spring	1	PC
3	7.314-664.0	Straight grooved pin 3,0x20-KU ISO 8740	1	PC



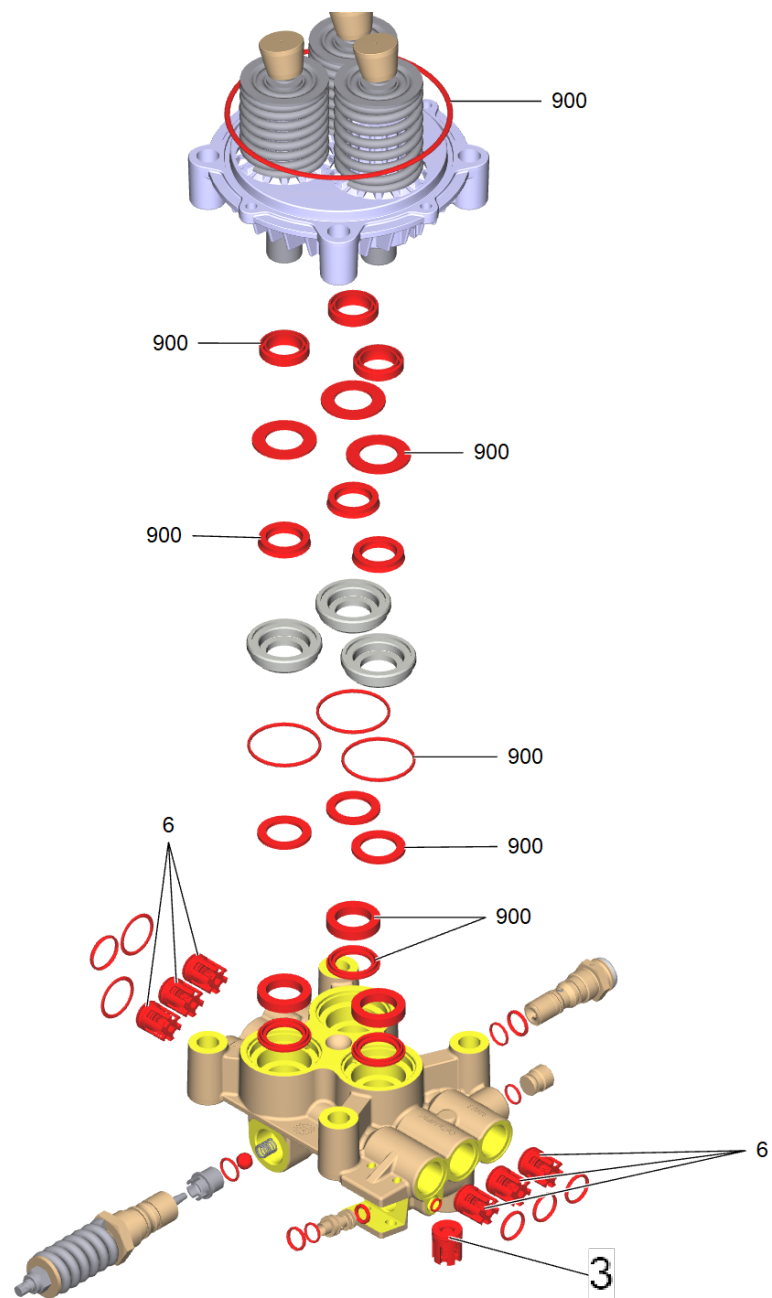
2511 Manifold short cpl. (4.101-080.0)

POS	Article no.	Description	Quantity	Unit
2	5.110-341.0	Sleeve	1	PC
1	5.427-298.0	Manifold short	1	PC
3	6.362-579.0	O-Ring seal 17,5 X 3,5	1	PC
4	6.362-686.0	O-Ring seal 20,0 X 3,0	1	PC



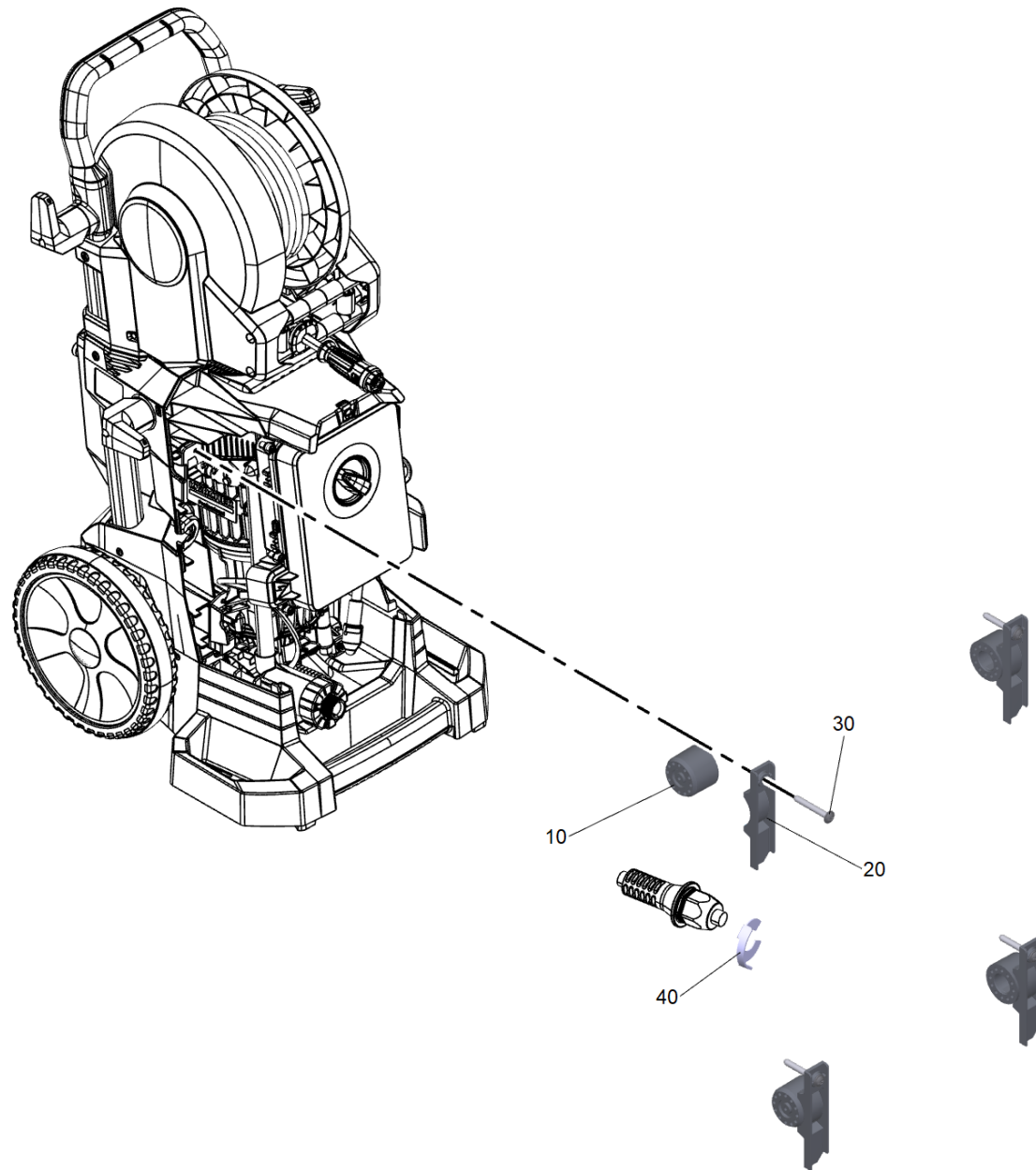
2521 Manifold long cpl. (4.101-081.0)

POS	Article no.	Description	Quantity	Unit
2	5.110-341.0	Sleeve	1	PC
3	6.362-579.0	O-Ring seal 17,5 X 3,5	1	PC
4	6.362-686.0	O-Ring seal 20,0 X 3,0	1	PC



9000 Pump set HD-S U D20 (4.101-087.0)

POS	Description	Quantity	Unit
900	Component for orientation only	1	PC

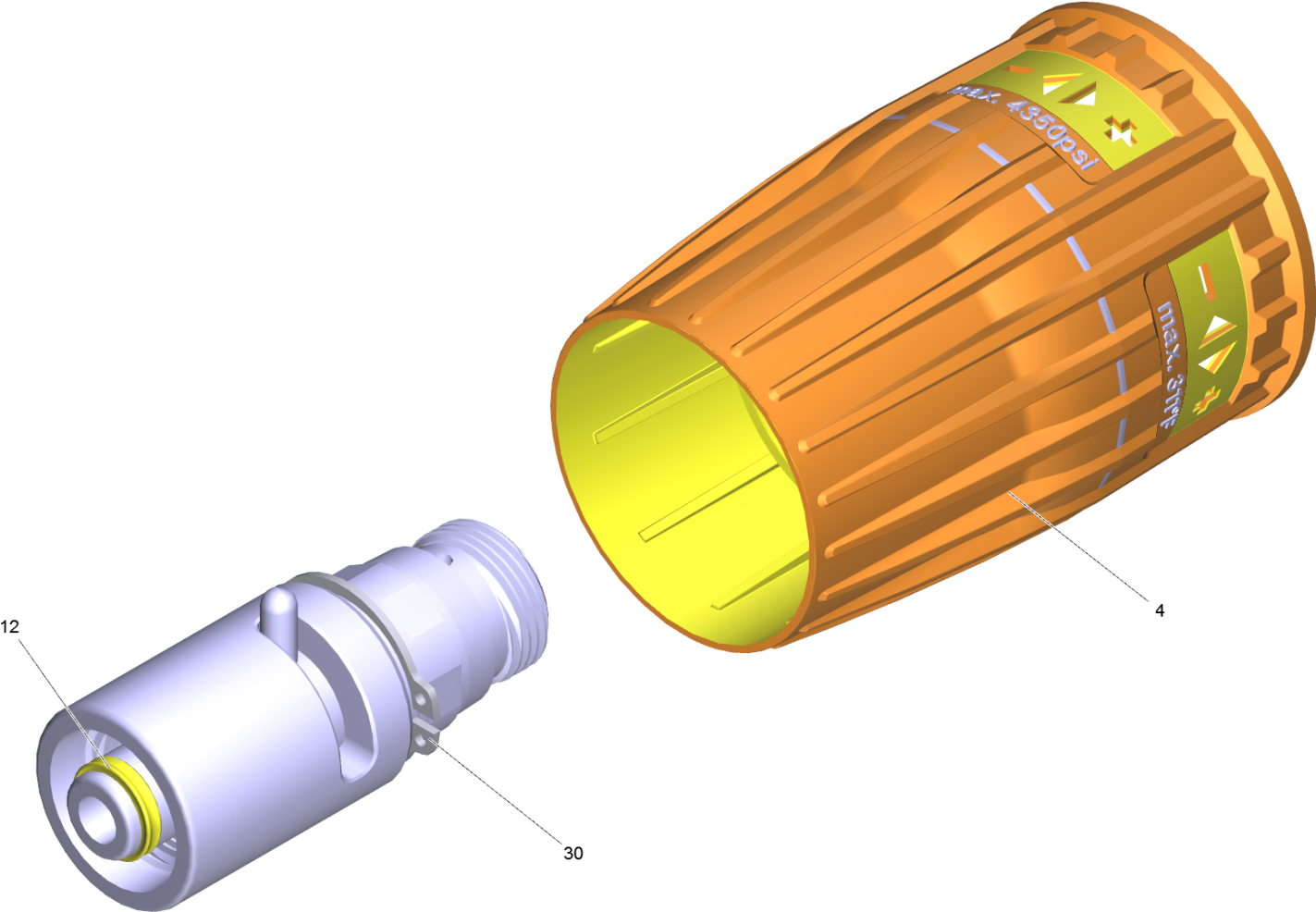


530 Mounting material pump set

POS	Article no.	Description	Quantity	Unit
10	5.767-005.0	Rubber buffer	4	PC
20	5.802-288.0	Mounting part	4	PC
40	6.343-186.0	Locking ring	1	PC
30	7.303-110.0	Screw 5x35-10.9-R2R (In6Rd)	4	PC

900 Rotary controller TR 416L (4.118-008.0)

POS	Description	Quantity	Unit
1	Rotary controller TR 416L	1	PC



1 Rotary controller TR 416L

POS	Article no.	Description	Quantity	Unit
12	2.880-001.0	Spare part set seals TR	1	PC
4	5.321-364.3	Handhold rotary controller	1	PC
30	7.343-069.0	Locking ring 25x1,2-1.4122 DIN 471	1	PC

12 Spare part set seals TR (2.880-001.0)

POS	Article no.	Description	Quantity	Unit
1	4.100-710.0	O-Ring seal spare part set 50x	1	PC
2	4.100-711.0	Quad joint ring spare part set 50x	1	PC
3	4.101-244.0	O-Ring kit 10x 2 mm	1	PC