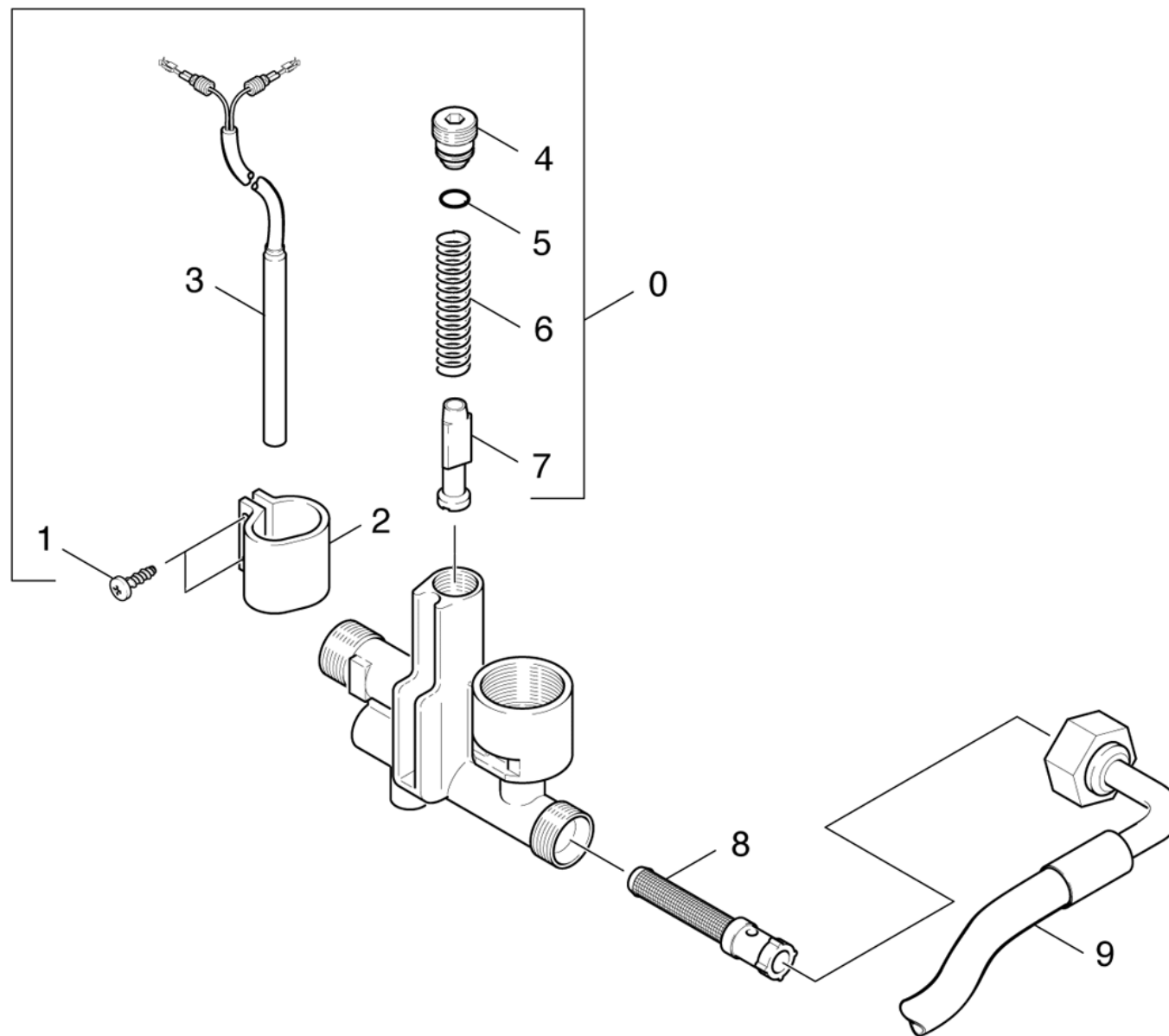


92 Reed switch

Overview technical documents/Professional/High pressure cleaner hotwater/Electric motor/HDS 695

*EU (1.025-111.0)/Spare parts list HDS 695/90 Safety system/92 Reed switch



92 Reed switch

Overview technical documents/Professional/High pressure cleaner hotwater/Electric motor/HDS 695 *EU (1.025-111.0)/Spare parts list HDS 695/90 Safety system/92 Reed switch

ET/VT (spare/wear parts)	Pos	Material #	Name	Qty.	Unit	from ser.nr.	up to ser.nr.
	0	4.749-110.0	Safety system	1.000	ST	0000000000	0000000000
	1	6.303-122.0	M4 .2X13 DIN 7981 TORX T15 PAN HD HI/LO	1.000	ST	0000000000	0000000000
	2	5.041-076.0	Clamp	1.000	ST	0000000000	0000000000
	3	2.883-338.0	Reed switch replacement	1.000	ST	0000000000	0000000000
	4	5.305-162.0	Shaped screw	1.000	ST	0000000000	0000000000
	5	6.362-482.0	O-Ring seal 10 x 1,5-NBR 70	1.000	ST	0000000000	0000000000
	6	5.332-057.0	Helical spring	1.000	ST	0000000000	0000000000
X	7	4.553-022.0	Piston	1.000	ST	0000000000	0000000000
	8	6.414-327.0	Strainer	1.000	ST	0000000000	0000000000
	9	6.389-537.0	High pressure hose DN 8	1.000	ST	0000000000	0000000000