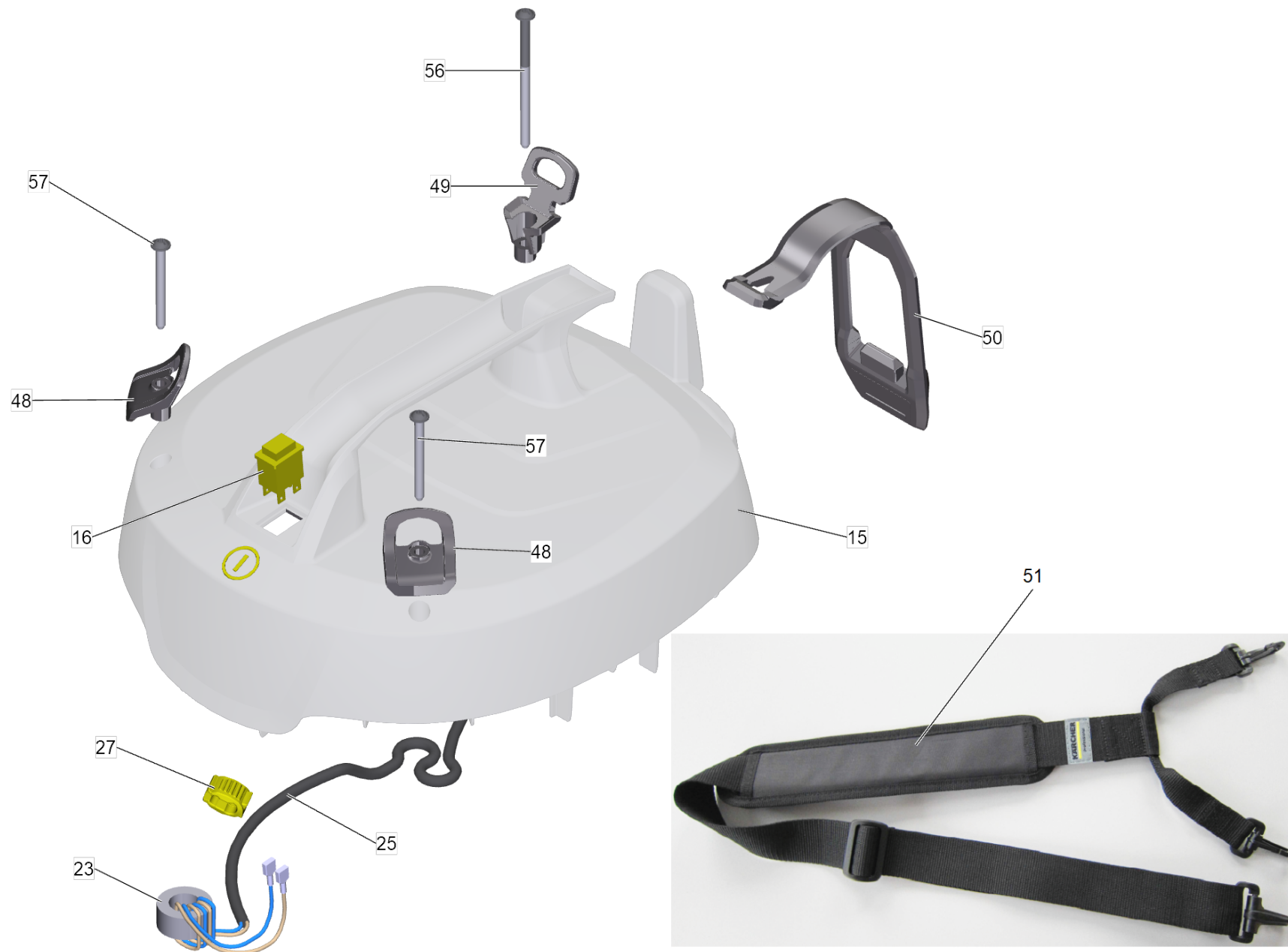


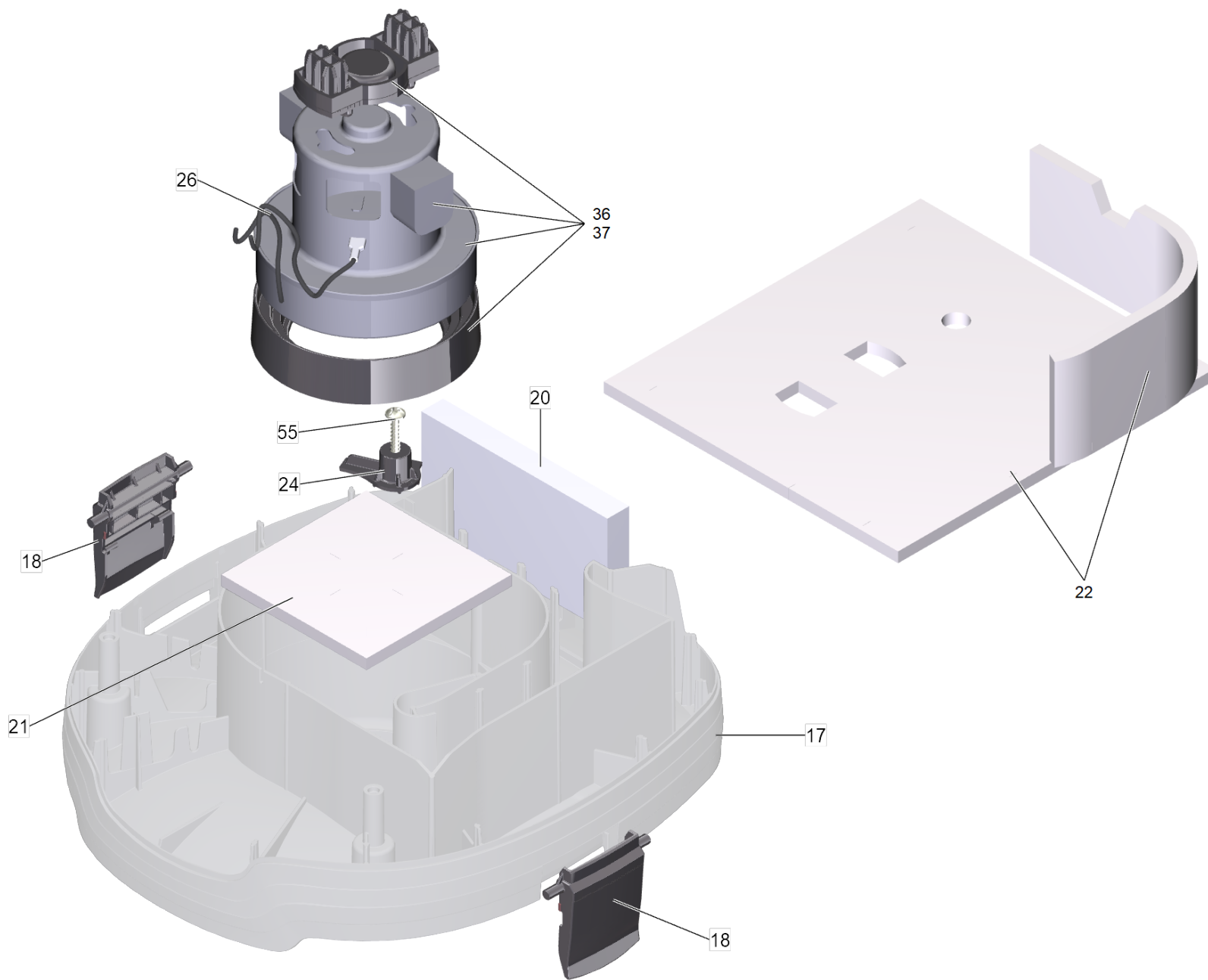
Spare parts list

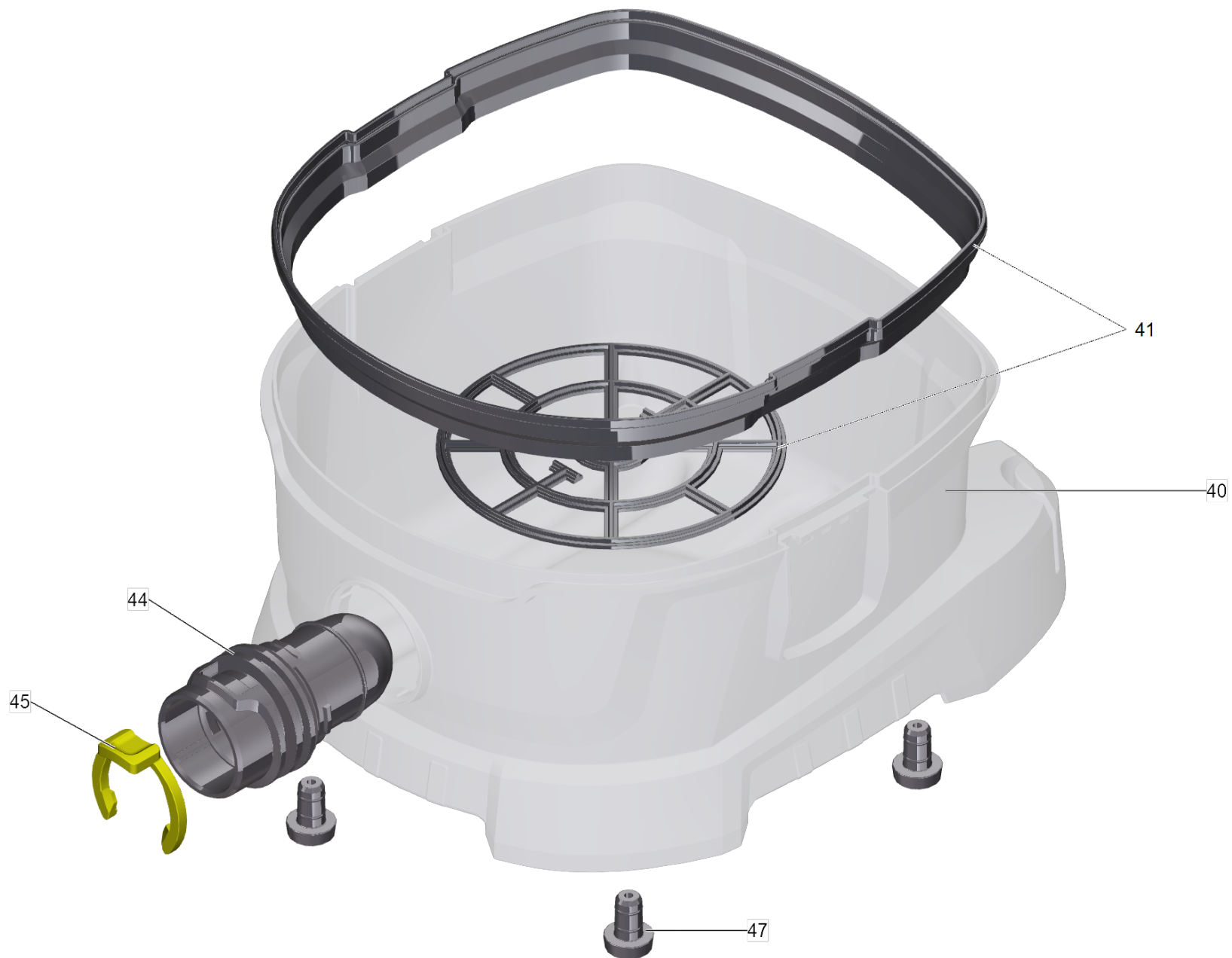
(1.527-188.0) T 8/1 L *EU

Table of contents

T 8/1 L *EU (1.527-188.0)	3
36 Suction blower complete replacement (4.610-000.0)	7
36 Turbine complete (4.610-031.0)	9
999 Accessories	11
1 Suction hose cone T DN35 2m (2.889-100.0)	13
6 Floor tool packaged NW35 (2.840-038.0)	14

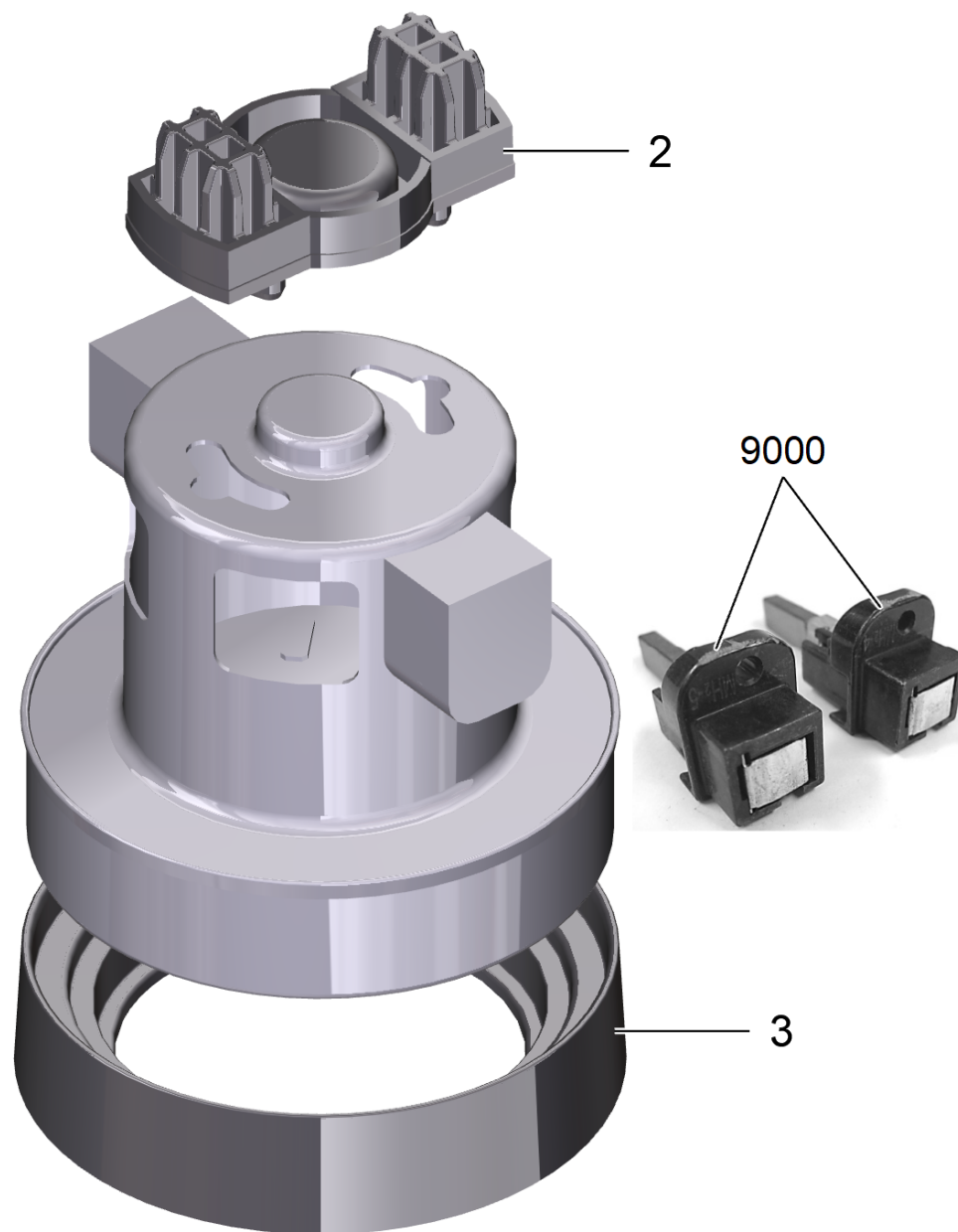






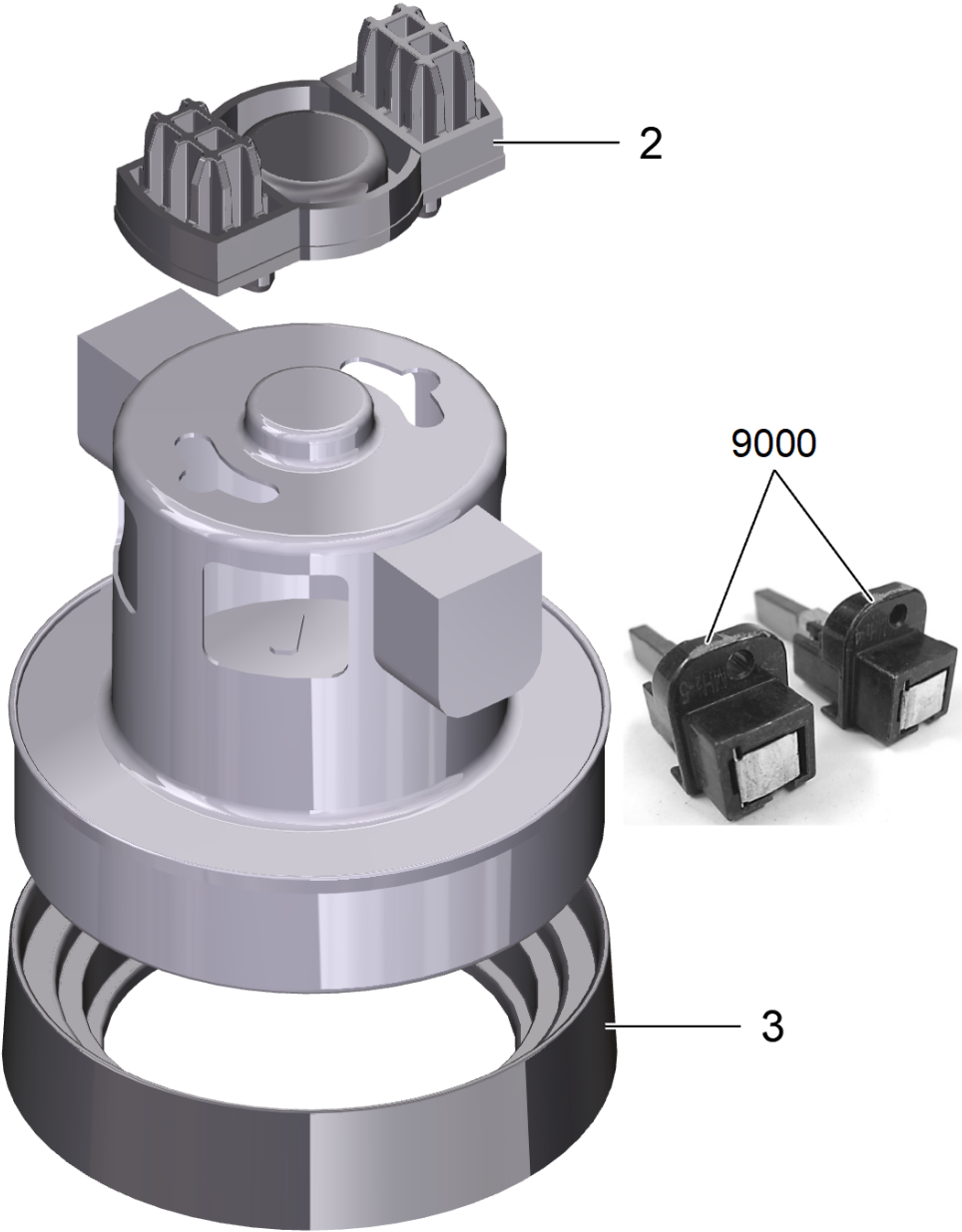
T 8/1 L *EU (1.527-188.0)

POS	Article no.	Description	Quantity	Unit	valid from	valid until
15	2.889-060.0	Cover replacement	1	PC		
16	6.630-769.0	Switch	1	PC		
17	2.889-062.0	Housing base plate replacement	1	PC		
18	5.033-035.0	Locking clip	2	PC		
20	6.414-058.0	Filter T7/1	1	PC		
21	2.889-119.0	Set filter motor protecting	1	PC		
22	2.889-059.0	Set filter	1	PC		
23	6.346-043.0	Ferrite ring	1	PC		
24	5.033-036.0	Strain relief	1	PC		549999
24	5.034-609.0	Blank holder 6mm	1	PC	550000	
25	2.889-063.0	Power cable replacement	1	PC		549999
25	2.889-128.0	Power cable replacement	1	PC	550000	
26	2.889-070.0	Electrical small parts replacement	1	PC		
27	5.033-928.0	Plug fixing RAL 1018	1	PC		
36	4.610-031.0	Turbine complete	1	PC	550000	
36	4.610-000.0	Suction blower complete replacement	1	PC		549999
37	2.889-105.0	Set carbon brushes	1	PC		
40	2.889-167.0	Tank replacement	1	PC		
41	2.889-099.0	Filtering basket complete replacement	1	PC		
44	5.034-163.0	Suction connection T	1	PC	550000	
45	5.343-022.0	Locking ring	1	PC		
47	2.889-124.0	Set rubber buffer	1	PC		
48	5.373-016.0	Fixing carrying strap front	2	PC		
49	5.373-017.0	Fixing carrying strap rear	1	PC		
50	5.373-015.0	Fixing strap accessories rear	1	PC		
51	6.373-035.0	Carrying strap T 8/1	1	PC		
55	7.303-086.0	Screw 5x30 -10.9-R2R (K-In6Rd)	1	PC		
56	7.303-171.0	Screw 5x80 -10.9-R2R (K-In6Rd)	1	PC		
57	7.303-111.0	Screw 5x50 -10.9-R2R (K-In6Rd)	2	PC		
999		Accessories	1	PC		



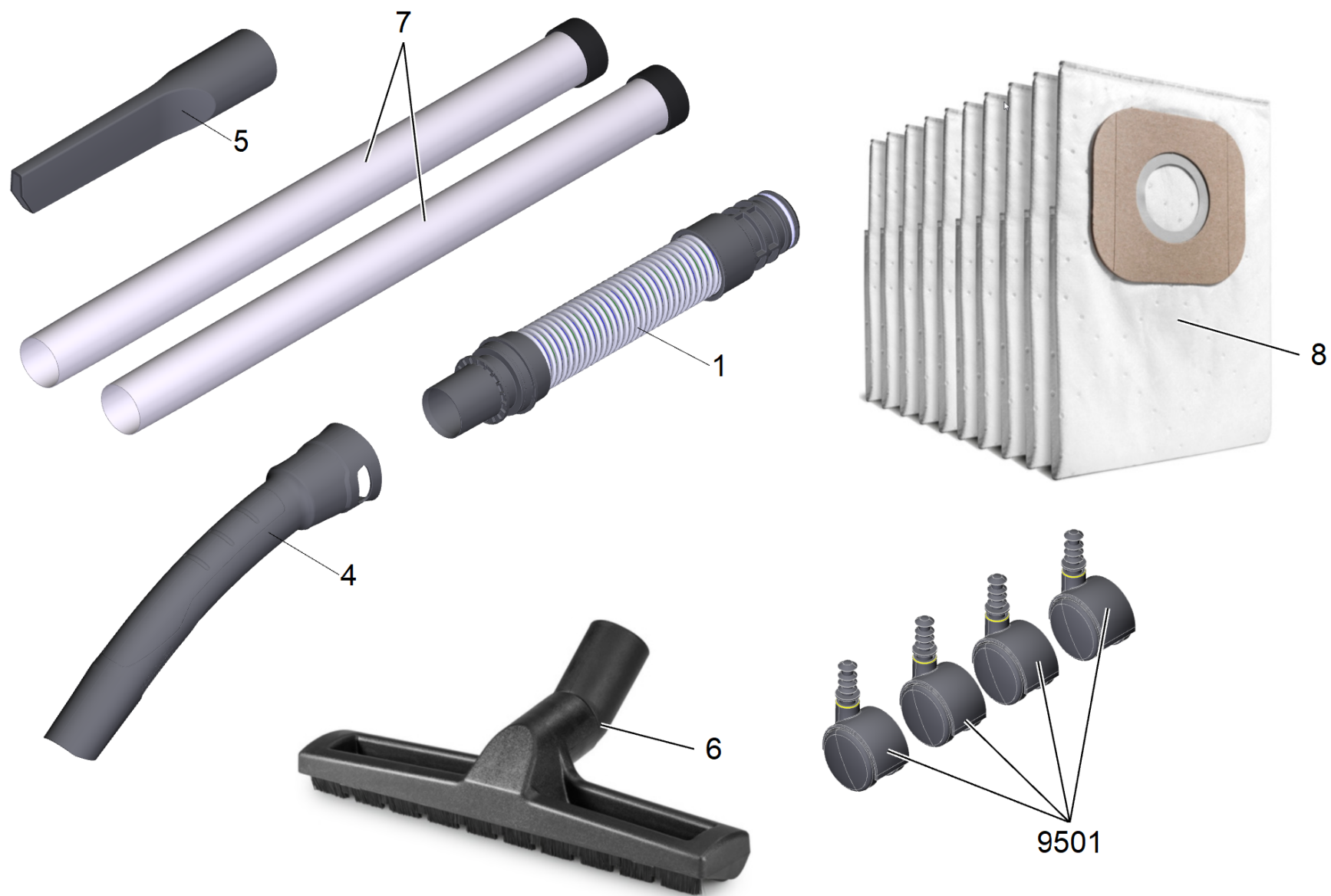
36 Suction blower complete replacement (4.610-000.0)

POS	Article no.	Description	Quantity	Unit
2	5.363-019.0	Seal above	1	PC
3	5.363-018.0	Seal bottom	1	PC
9000	2.889-105.0	Set carbon brushes	1	PC



36 Turbine complete (4.610-031.0)

POS	Article no.	Description	Quantity	Unit
2	5.363-019.0	Seal above	1	PC
3	5.363-018.0	Seal bottom	1	PC
9000	2.889-105.0	Set carbon brushes	1	PC



999 Accessories

POS	Article no.	Description	Quantity	Unit	Foot note text
1	2.889-100.0	Suction hose cone T DN35 2m	1	PC	
4	5.322-166.0	Hand grip suction hose curved	1	PC	
5	2.840-039.0	Crevice nozzle packaged NW35	1	PC	
6	2.840-038.0	Floor tool packaged NW35	1	PC	
7	2.840-041.0	Suction tube set NW35	1	PC	SPECIAL ACCESSORIES
8	6.904-084.0	Filter bags fleece 10 St.	1	PC	
9501	2.889-126.0	Set steering rollers	1	PC	

1 Suction hose cone T DN35 2m (2.889-100.0)

POS	Article no.	Description	Quantity	Unit
3	6.645-688.0	Spring washer suction hose	1	PC
4	5.363-255.0	Seal X-shaped	1	PC

6 Floor tool packaged NW35 (2.840-038.0)

POS	Article no.	Description	Quantity	Unit
1	6.903-039.0	Brush strips set	1	PC