

Spare parts list

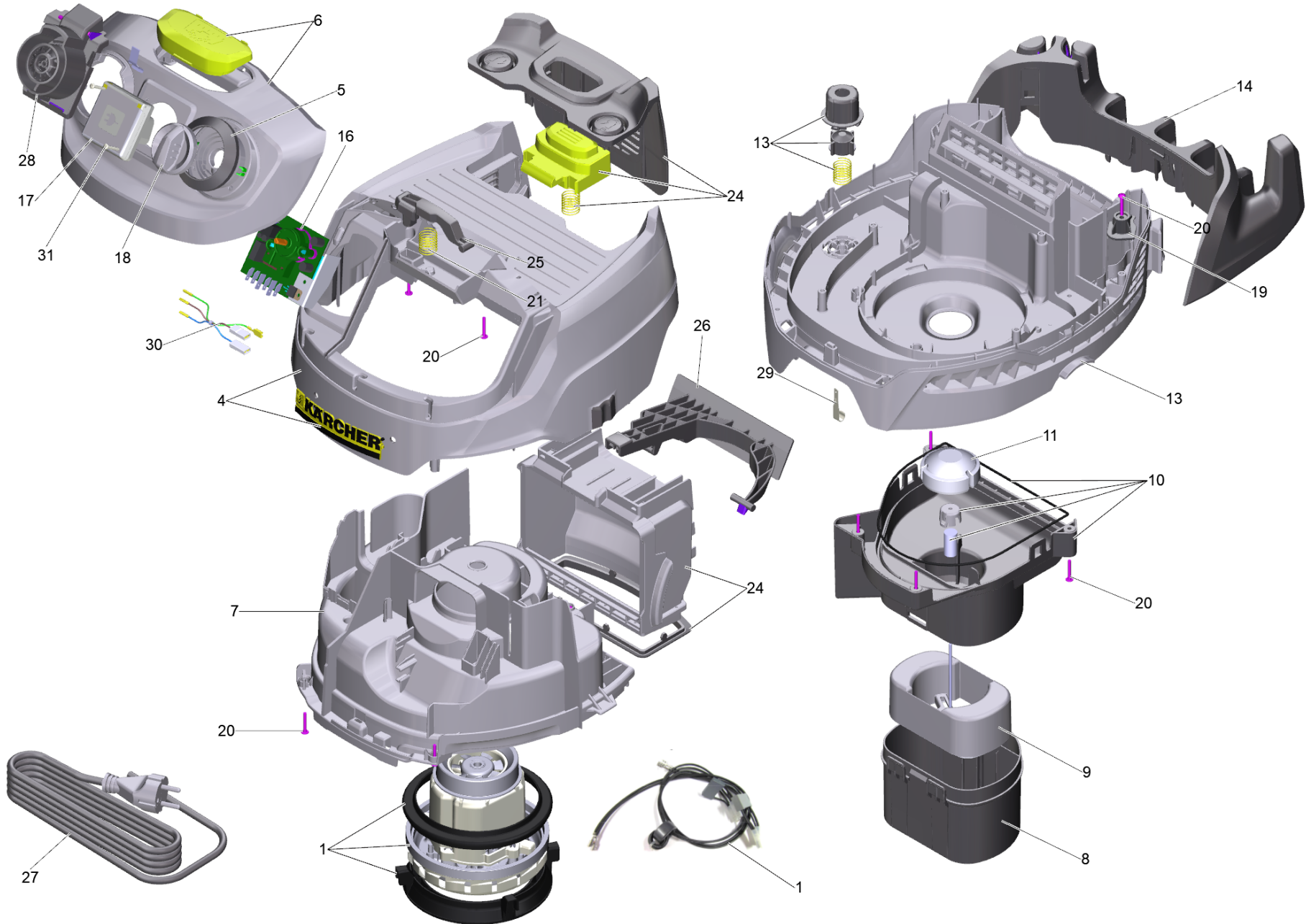
(1.348-234.0) WD 5 P Premium *EU-II

Table of contents

WD 5 P Premium *EU-II (1.348-234.0)	3
10 Appliance individual parts	4
4 Cover neutrally complete (9.002-097.0)	6
10 Cover float complete WD 4 (9.002-033.0)	8
13 Motor bracket complete (9.002-089.0)	10
24 Filter box complete (9.002-091.0)	12
20 Tank	14
30 Accessories	16
1 Suction hose complete for replacement (4.441-091.0)	18

WD 5 P Premium *EU-II (1.348-234.0)

POS	Description	Quantity	Unit
10	Appliance individual parts	1	PC
20	Tank	1	PC
30	Accessories	1	PC



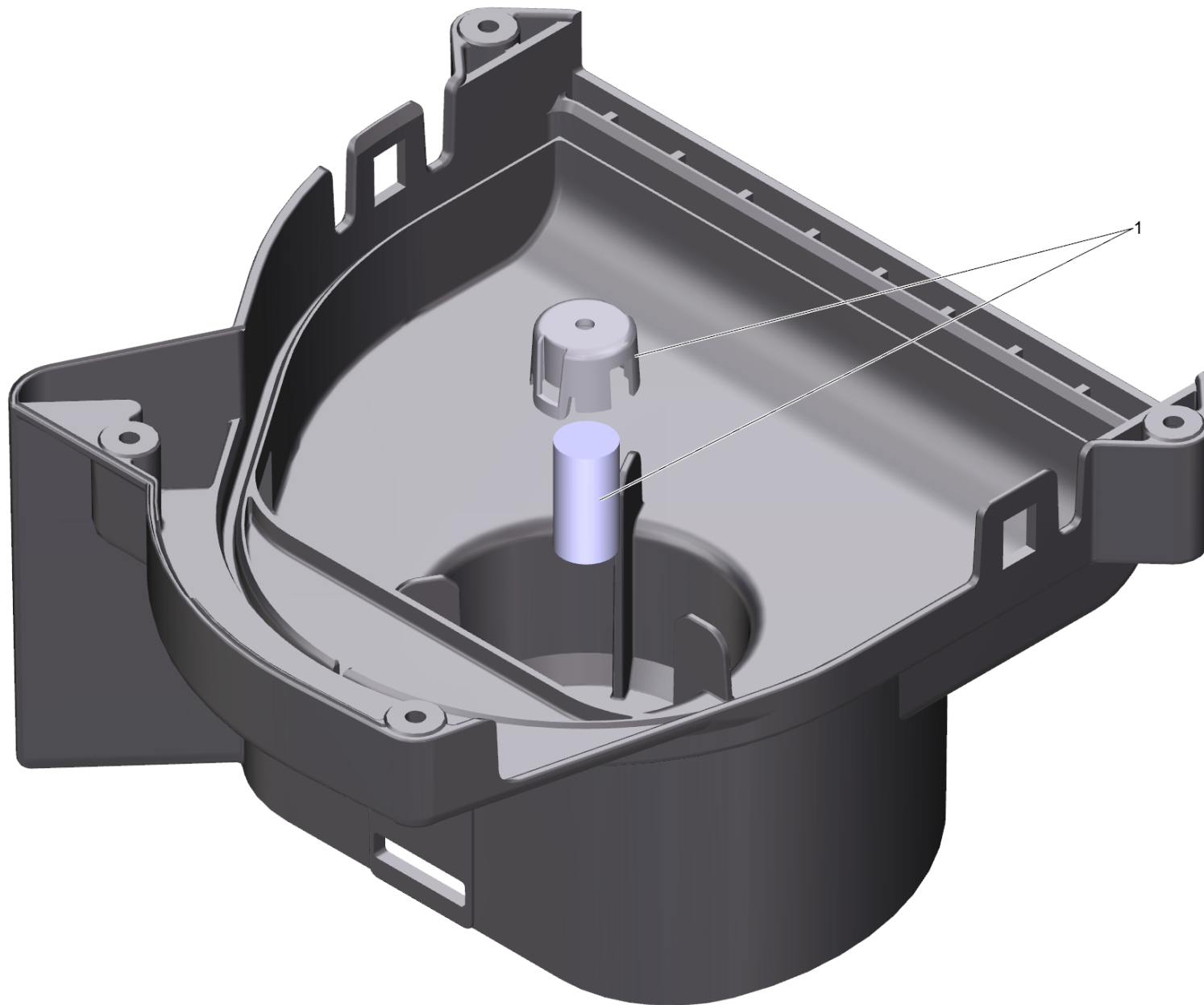
10 Appliance individual parts

POS	Article no.	Description	Quantity	Unit
1	4.490-029.0	Blower motor complete for replacement WD	1	PC
4	9.002-097.0	Cover neutrally complete	1	PC
5	9.038-360.0	On/Off ring PT	1	PC
6	9.002-102.0	Front panel P complete	1	PC
7	9.038-271.0	Air circulation	1	PC
8	9.038-264.0	Float cage	1	PC
9	9.002-032.0	Float complete WD 4	1	PC
10	9.002-033.0	Cover float complete WD 4	1	PC
11	9.038-070.0	Float valve	1	PC
13	9.002-089.0	Motor bracket complete	1	PC
14	9.038-287.0	Retainer accessories	1	PC
16	4.682-004.0	Electronics for replacement WD5/WD6	1	PC
17	6.646-561.0	Plug socket *EU	1	PC
18	9.038-363.0	Rotary switch PT WD	1	PC
19	9.036-997.0	Strain relief	1	PC
20	6.303-150.0	Screw 4,2x 22	14	PC
21	9.047-111.0	Spring WD	1	PC
24	9.002-091.0	Filter box complete	1	PC
25	9.038-278.0	Lever spring	1	PC
26	9.038-279.0	Flap filter	1	PC
27	9.084-252.0	Cable 6,5m 3G1,5 mm *EU	1	PC
28	9.013-059.0	Connection complete	1	PC
29	9.047-057.0	Spring ESD	1	PC
30	9.084-349.0	Cable triple MV6	1	PC
31	9.086-184.0	Screw 3x20	2	PC



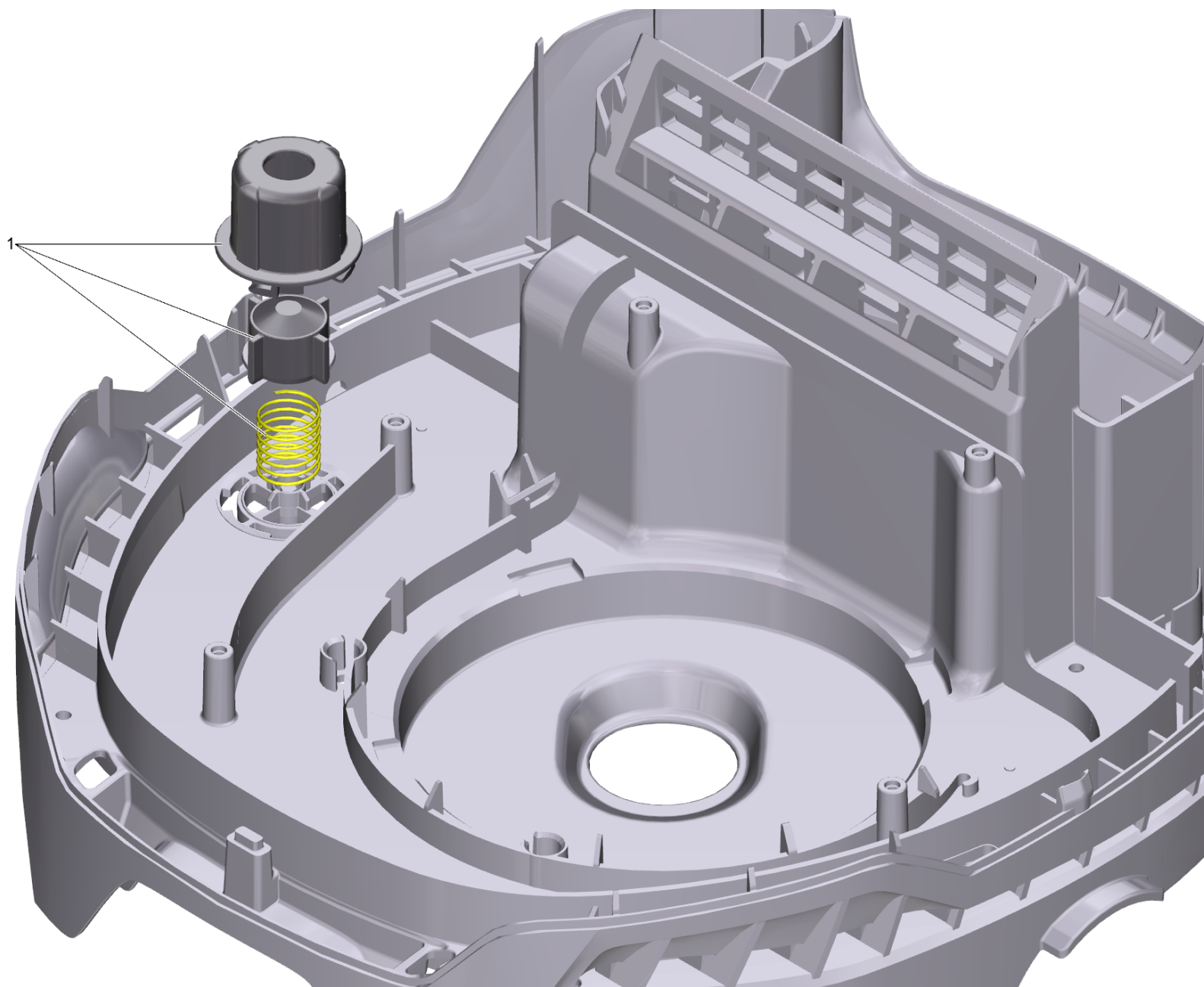
4 Cover neutrally complete (9.002-097.0)

POS	Article no.	Description	Quantity	Unit
1	9.037-643.0	KAERCHER label	1	PC



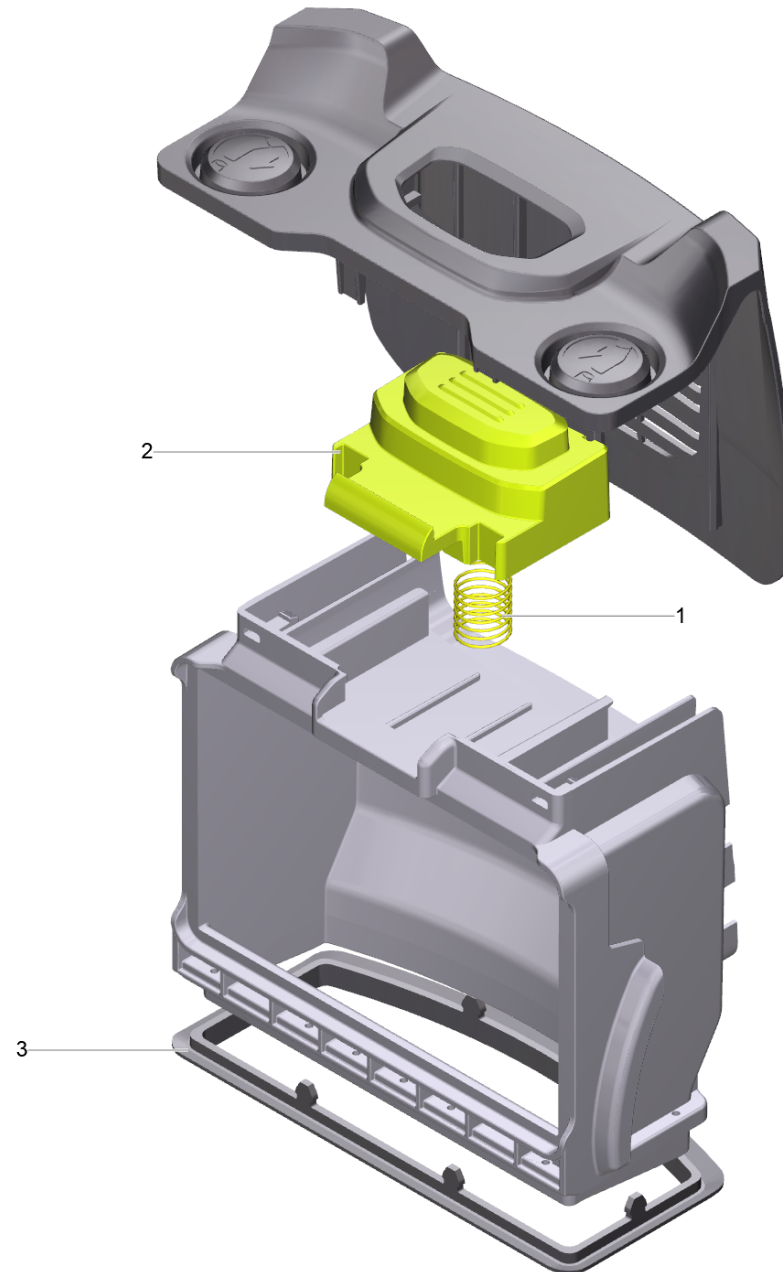
10 Cover float complete WD 4 (9.002-033.0)

POS	Article no.	Description	Quantity	Unit
1	9.002-034.0	Seal float complete WD 4	1	PC



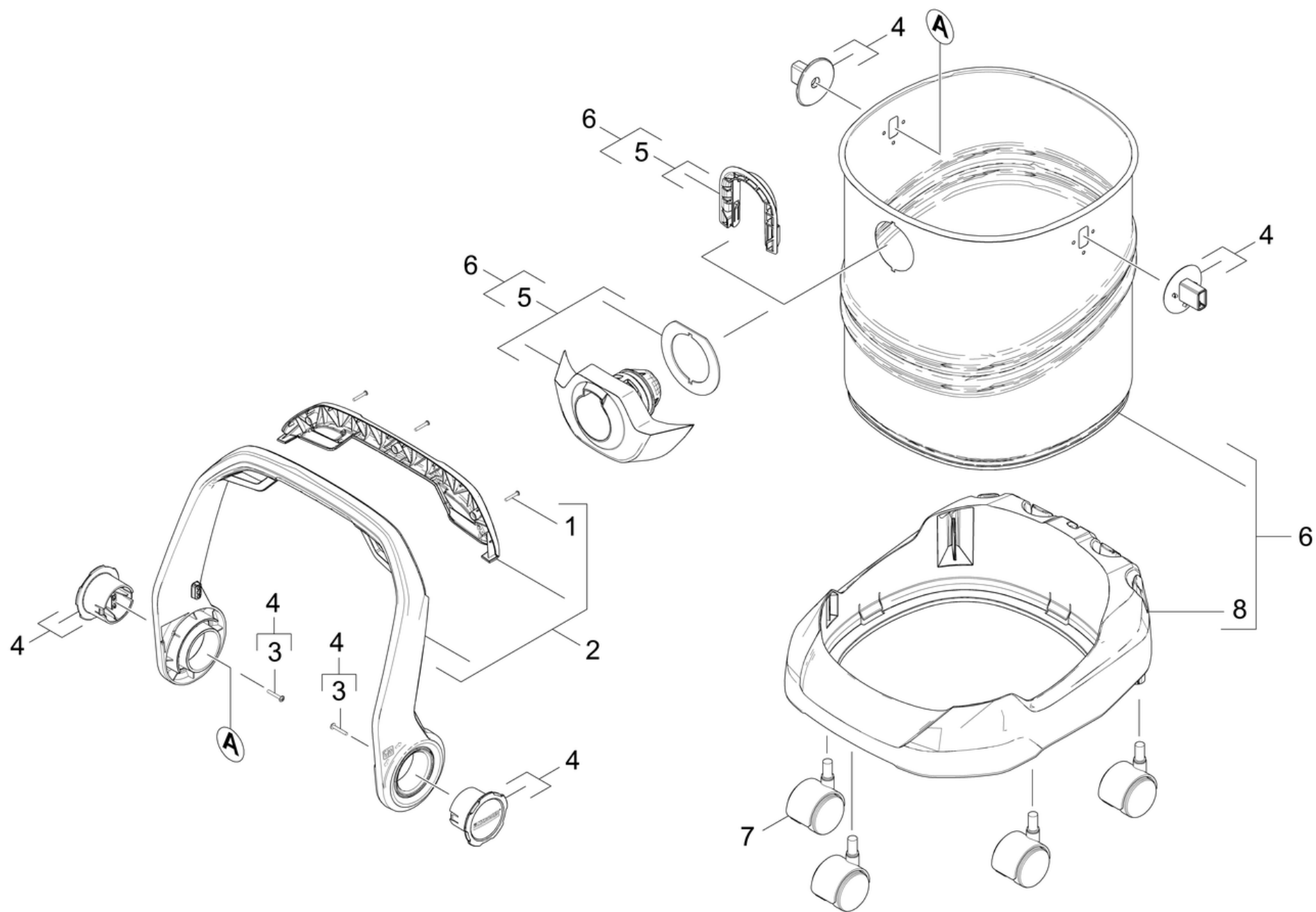
13 Motor bracket complete (9.002-089.0)

POS	Article no.	Description	Quantity	Unit
1	9.002-036.0	Safety valve complete WD 4	1	PC



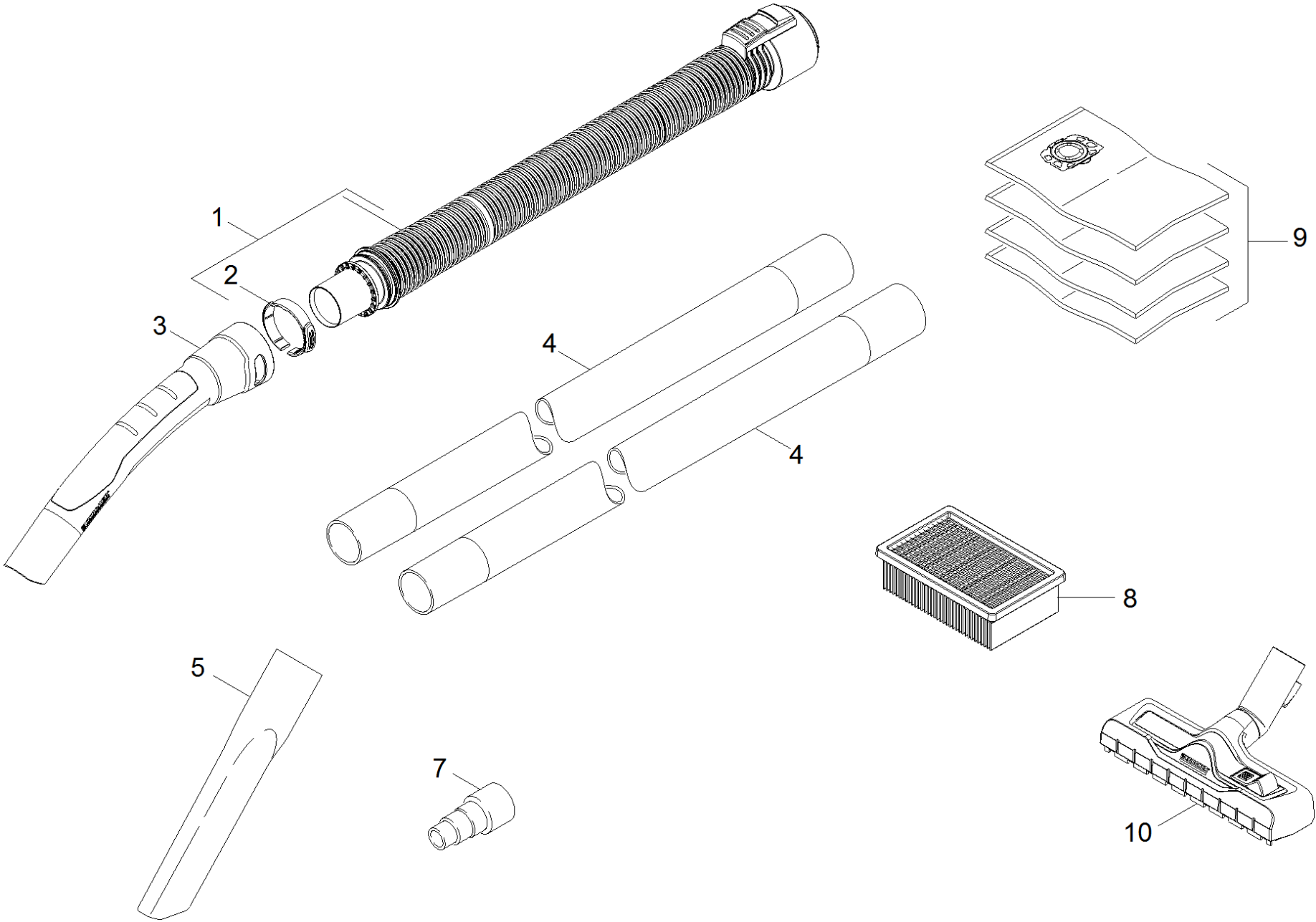
24 Filter box complete (9.002-091.0)

POS	Article no.	Description	Quantity	Unit
1	6.330-415.0	Pressure spring VC6	1	PC
2	9.038-283.0	Fbox button WD5	1	PC
3	9.079-080.0	Fbox Sealing	1	PC



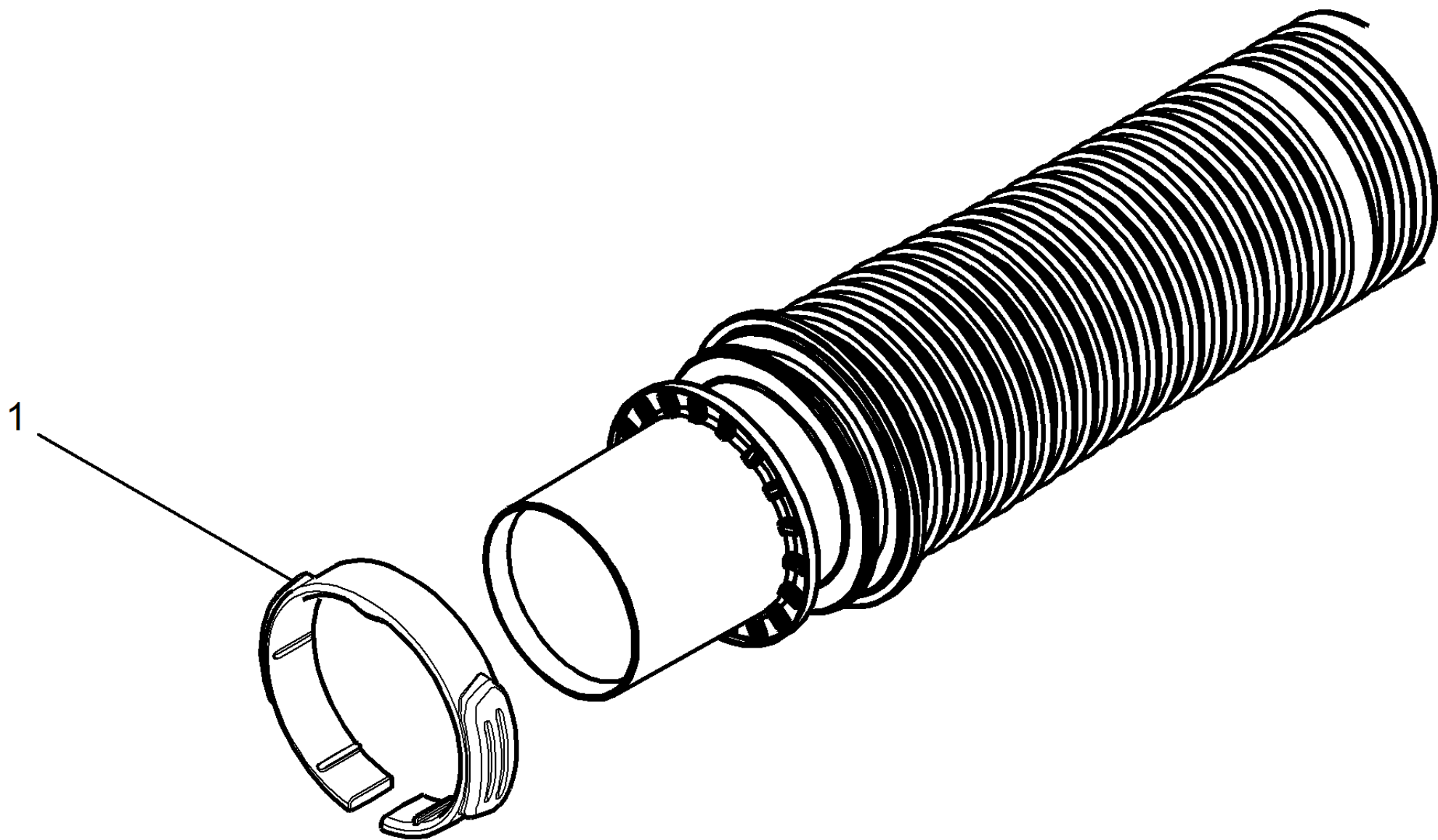
20 Tank

POS	Article no.	Description	Quantity	Unit
1	9.086-184.0	Screw 3x20	3	PC
2	9.002-093.0	Handle complete	1	PC
3	6.303-150.0	Screw 4,2x 22	2	PC
4	9.002-094.0	Flange hand grip complete	1	PC
5	9.002-040.0	Hose connection PP complete	1	PC
6	9.002-092.0	Container 25L Me complete	1	PC
7	9.036-479.0	Castor D50	5	PC
8	9.002-100.0	Bumper packaged for replacement	1	PC



30 Accessories

POS	Article no.	Description	Quantity	Unit
1	4.441-091.0	Suction hose complete for replacement	1	PC
2	6.645-688.0	Spring washer suction hose	1	PC
3	2.863-012.0	Hand grip suction hose	1	PC
4	2.863-308.0	Extension suction tube WD ID 35	2	PC
5	6.900-385.0	Crevice nozzle DN35	1	PC
7	9.048-061.0	Connecting sleeve	1	PC
8	2.863-005.0	Flat-pleated filter WD	1	PC
9	2.863-006.0	Filter bag fleece WD 4pc.	1	PC
10	2.863-000.0	Wet and dry nozzle switchable WD/SE	1	PC



1 Suction hose complete for replacement (4.441-091.0)

POS	Article no.	Description	Quantity	Unit
1	6.645-688.0	Spring washer suction hose	1	PC
