

RA430B

Table of contents

PDF created on: 21.05.2026 14:57



RA 430 B

Griff
Poignée
Handle

B 10 / ST 10

Schmutz- und Frischwassertank
Seau d'eau sale et Seau d'eau propre
Waste water tank and Clean water tank

B 1 / ST 1- bis, à des, up to KW 18/03

B 1/1 / ST 1/1 - ab, à partir, as from KW 19/03

Saugschlauch und Stielrohr
Tuyau et tube à angle
Hose and angled tube

B 9 / ST 9

Einbau Saugmotor
Montage de la
moteur d'aspiration
Vacuum motor
assembling

B 2 / ST 2

Batterie
Batterie
Battery

B 3 / ST 3

Motor
Moteur
Motor

B 7 / ST 7

Saugdüse
Suceur avant
Front suction nozzle

B 6 / ST 6

Antrieb und Wasserzuführung
Transmission-alimentation
Drive and waterdistribution

B 8 / ST 8

Chassis und Laufrad
Chassis et Roue
Chassis and Wheel

B 4 / ST 4

Einbau Magnetventil+Filter
Montage-valve magnétique et Filtre
Magnetic valve and Filter assembling

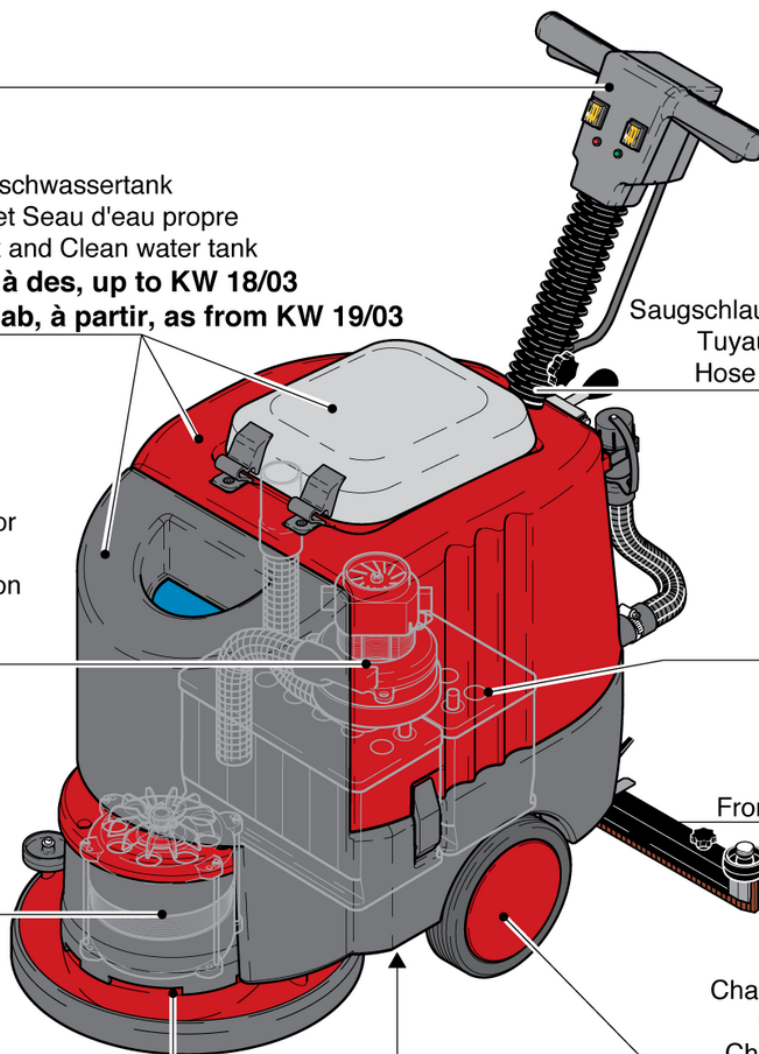
B 5 / ST 5 - bis, à des, up to machine no. 8642

B 5a / ST 5a - ab, à partir, as from machine no. 8643.001

Stromlaufplan
Diagramme électrique
Wiring diagram

B 11 / ST 11 - bis, à des, up to KW 49/02

B 12 / ST 12 - ab, à partir, as from KW 50/02



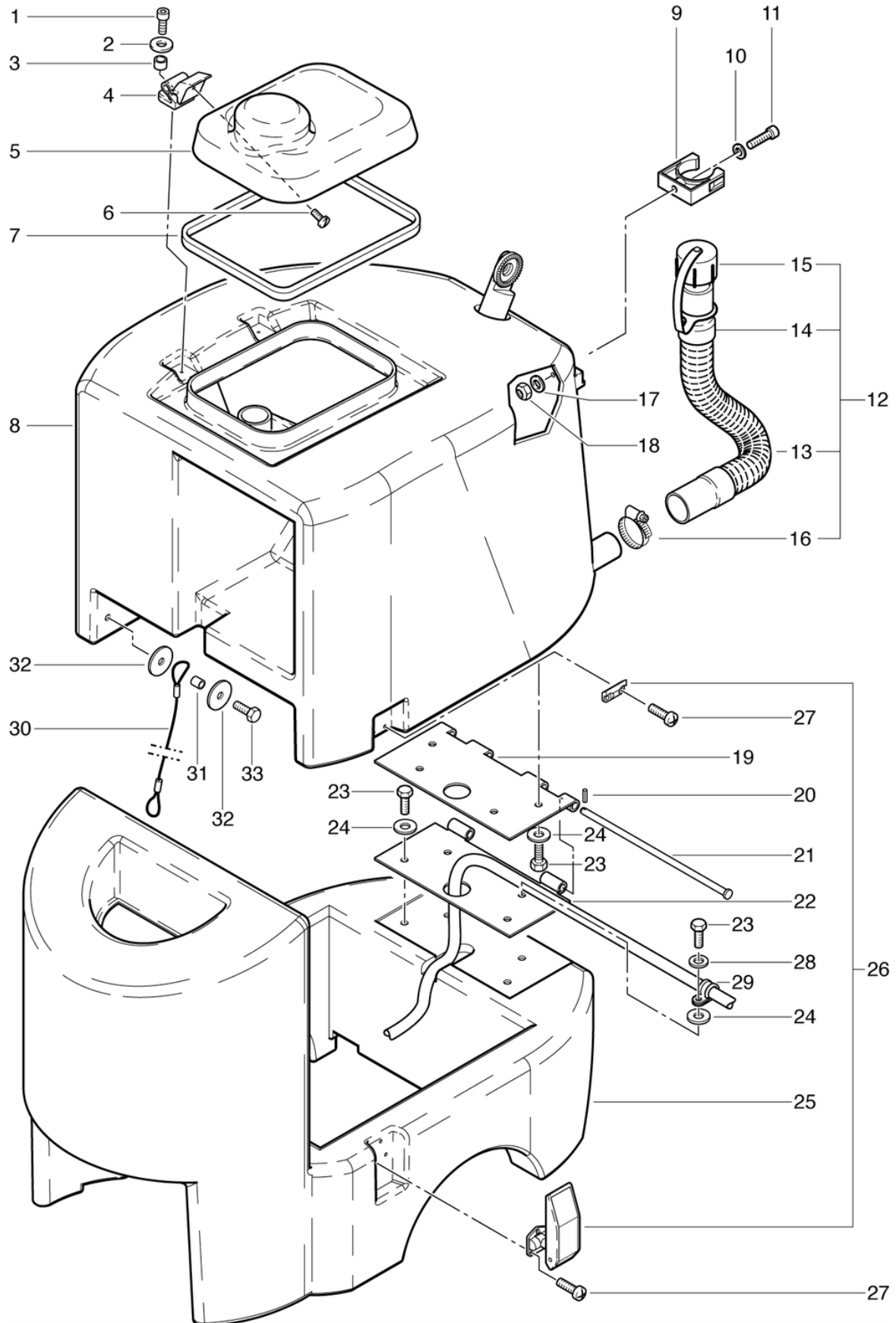
RA430B

Waste water tank and Clean water tank up to KW 18/03

PDF created on: 21.05.2026 14:57



RA 430 B



RA430B

Waste water tank and Clean water tank up to KW 18/03

PDF created on: 21.05.2026 14:57

Pos.	Item no.	Spare part
1	P488B	Screw DIN 912 M5 x 12 A2
2	P497K	Washer DIN 125 A M6 6,4/12/1,6 A2
3	430.618	Distance ring \varnothing 7/5 x 5,5
4	710.122	Rubber Hinge
5	470.409	Cover
6	P486O	Screw DIN 912 M6 x 18
7	124.315	Cover Seal
8	470.460	Waste Water Tank
9	P109A	Hose holder anthracite
11	P488K	Screw DIN 912 M5 x 25 A2
12	420.740	Drain hose cpl.
13	420.741	Drain Hose RA430B
14	500.409A	Hose sleeve 45 x 25 x 80mm
15	432.110	Cover for Execution
16	P553R	Hose clamp 039.6-706R
17	P497E	Shim DIN 9021 M5 5,3/15/1,2 A2
18	P493G	Nut DIN 985 M5
19	470.470	Hinge sheet top
20	P513S	5/12
21	470.473	Bolt
22	470.472	Hinge sheet bottom
23	P470	Key SW5
24	P497L	Washer M6
25	470.410	Clean Water Tank Complete
26	470.420	Spring Catch
27	P488F	Screw DIN 912 M5 x 14 A2
28	P496M	Shim BN 732 20/6/1,5
29	P281G	Cable support
30	510.447	Polyester string
31	742.129	Distance ring \varnothing 8 / 6 x 4
32	P510L	Washer DIN 522 M6 6,4/25/1,5 A2
33	P470T	Screw DIN 933 M6 x 16

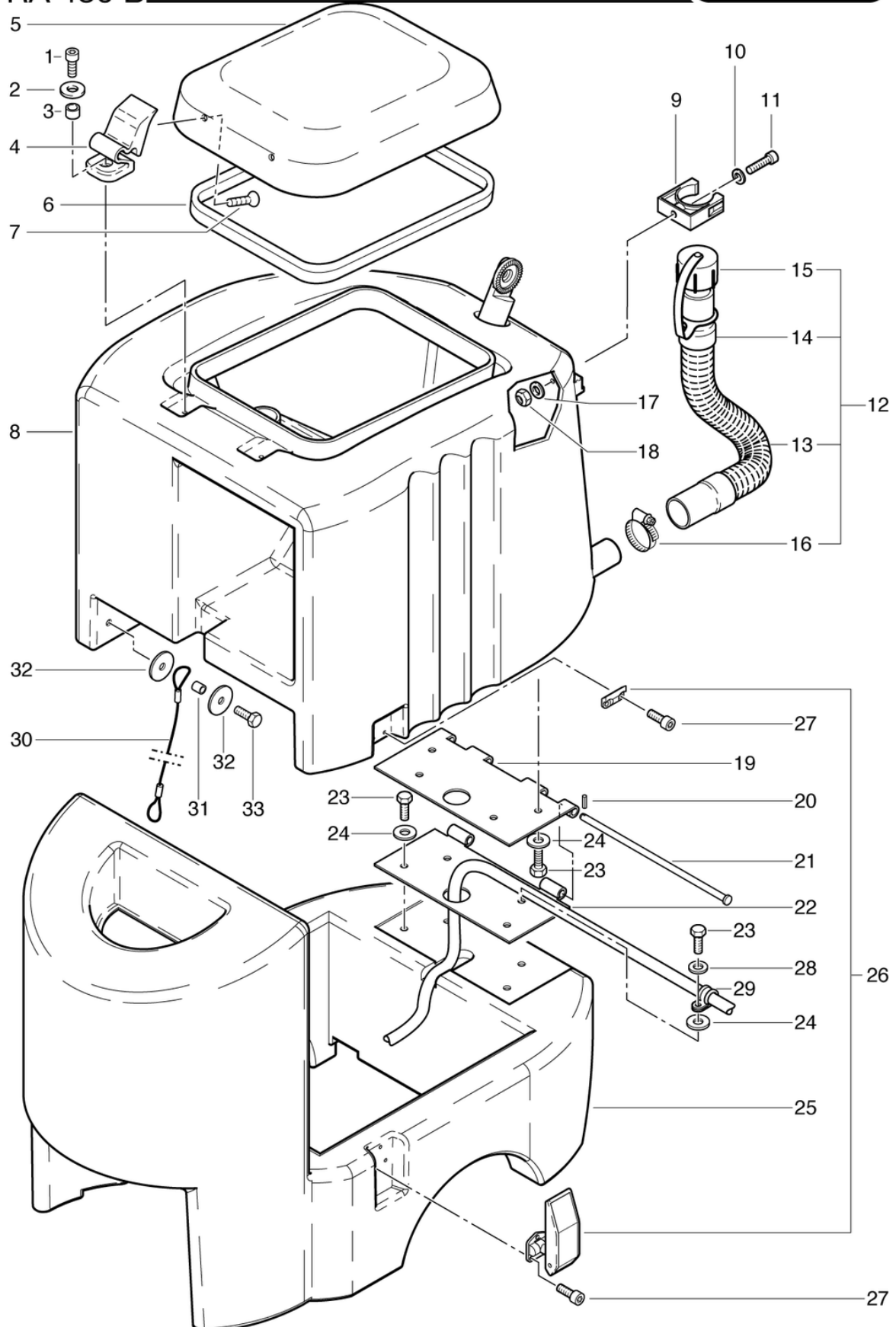
RA430B

Waste water tank and Clean water tank as from KW 19/03

PDF created on: 21.05.2026 14:57



RA 430 B



RA430B

Waste water tank and Clean water tank as from KW 19/03

PDF created on: 21.05.2026 14:57

Pos.	Item no.	Spare part
1	P488B	Screw DIN 912 M5 x 12 A2
2	P497K	Washer DIN 125 A M6 6,4/12/1,6 A2
3	430.618	Distance ring $\varnothing 7/5$ x 5,5
4	710.122	Rubber Hinge
5	710.120	Cover of the dirty water tank processed transparently
6	710.121	Cover seal EPDM black
7	P4800	Screw DIN 965 M4 x 8 A2
8	470.467	Waste water tank compl.
9	P109A	Hose holder anthracite
11	P488K	Screw DIN 912 M5 x 25 A2
12	420.740	Drain hose cpl.
13	420.741	Drain Hose RA430B
14	500.409A	Hose sleeve 45 x 25 x 80mm
15	432.110	Cover for Execution
16	P553R	Hose clamp 039.6-706R
17	P497E	Shim DIN 9021 M5 5,3/15/1,2 A2
18	P493G	Nut DIN 985 M5
19	470.470	Hinge sheet top
20	P513S	5/12
21	470.473	Bolt
22	470.472	Hinge sheet bottom
23	P470	Key SW5
24	P497L	Washer M6
25	470.410	Clean Water Tank Complete
26	470.420	Spring Catch
27	P488F	Screw DIN 912 M5 x 14 A2
28	P496M	Shim BN 732 20/6/1,5
29	P281G	Cable support
30	510.447	Polyester string
31	742.129	Distance ring $\varnothing 8 / 6$ x 4
32	P510L	Washer DIN 522 M6 6,4/25/1,5 A2
33	P470T	Screw DIN 933 M6 x 16

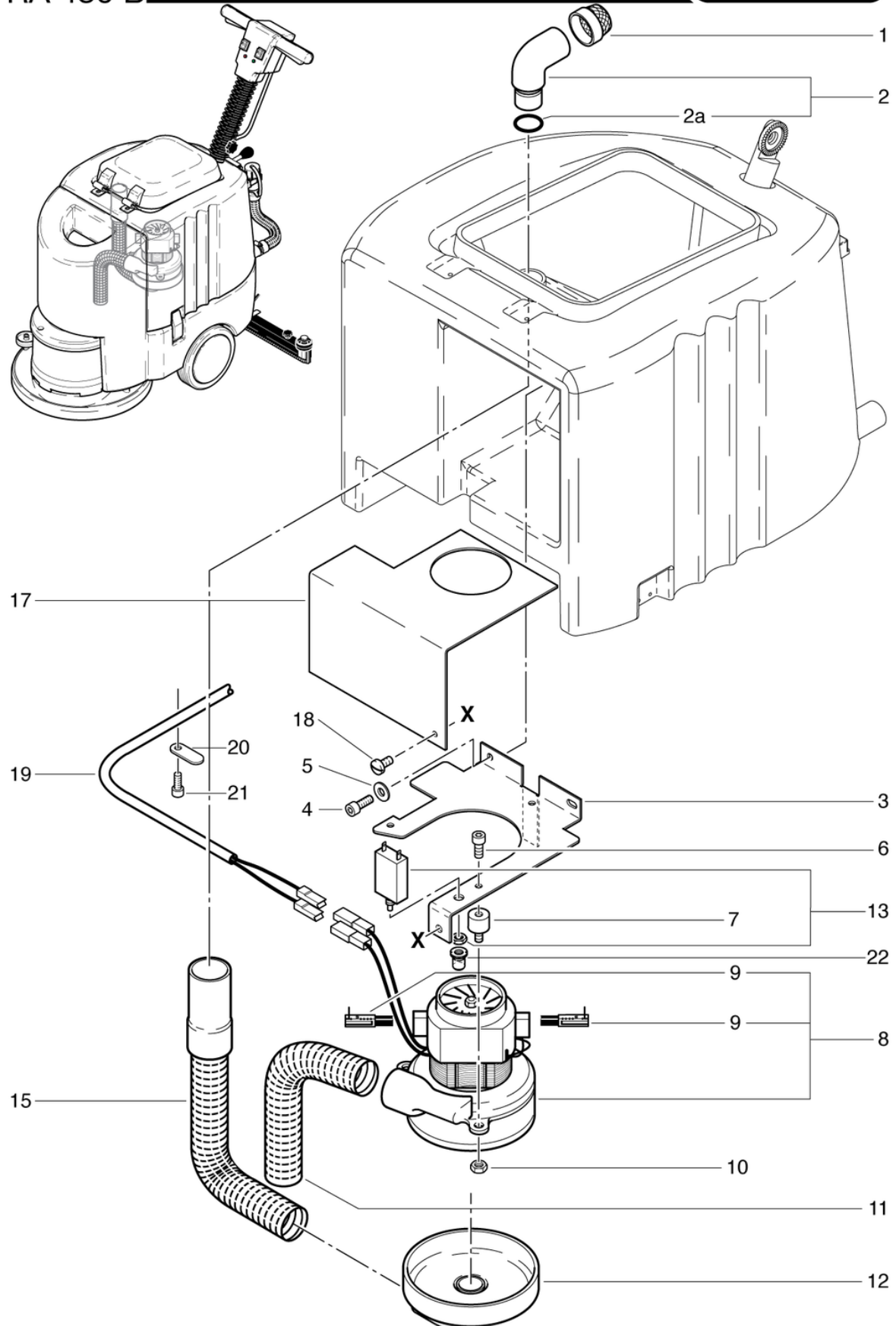
RA430B

Vacuum motor assembling

PDF created on: 21.05.2026 14:57



RA 430 B



Einbau Saugmotor

RA430B

Vacuum motor assembling

PDF created on: 21.05.2026 14:57

Pos.	Item no.	Spare part
1	400.766	Filter
2a	P961E	Ring DIN 3771 28/2 EPDM
2	430.735	Suction Bend
3	470.159	Motor Support RA430B
4	P486Q	Screw DIN 912 M6 x 12 A2
5	P497H	Washer DIN 9021 M6 6,4/18/1,6 A2
6	P476S	Screw DIN 912 M6 x 8
7	060.241	Round buffer M6 x 15, ø 20 x 15, M6 female thread
8	440.206	Suction Motor- 24 V / 400W
9	500.441K	carbon brush (pair)
10	P490D	Nut DIN 934 M6
11	470.488	Drain hose
12	470.490	Hose Connection Cap
13	470.355	Motor protection switch 25A
15	470.487	Hose
17	470.160	Cover
18	P475M	Screw DIN 85 A M6 x 10 St vz
19	470.767	Cable harness motor circuit breaker suction motor
20	470.463	Support plate
21	P489C	Screw DIN 912 M5 x 6 A2
22	500.957A	Protective Cap

RA430B

Battery

PDF created on: 21.05.2026 14:57

Pos.	Item no.	Spare part
1	500.092	Set of 2 gel batteries à 12 V/85 Ah (C5) Eternity
2	470.115	Battery container
4	P486C	Screw DIN 912 M4 x 10
5	470.757	Led to electronic cover
6	P409A	Cable sleeve Žý 11x18 mm
7	P409	Cable sleeve Ø 7.5x12mm
8	500.982	Relay 20amp
9	470.759	Relay Brush Motor
10	P485C	Rivet Pop Standard 4.0 x 8.0 Alu / St
11	470.761	Cable harness with red charging plug
12	P357A	Charging Plug housing red
13	P475F	Screw DIN 85 A M4 x 20 A2
14	P490B	nut DIN 934 M4
15	P383O	Electrical terminal (3)
17	P486Q	Screw DIN 912 M6 x 12 A2
18	430.076	Electronic box
19	560.995	Battery connection wire 10mm ² , L = 0.2m
20	475.994	Battery Connecting Cable
21	5101	warning sticker
22	560.623	Metal sheet clamp
23	560.622	plug cover
24	P486A	Screw DIN 912 M4 x 12
25	470.463	Support plate
26	P488E	Screw DIN 912 M5 x 8 A2
27	470.764	Brain red

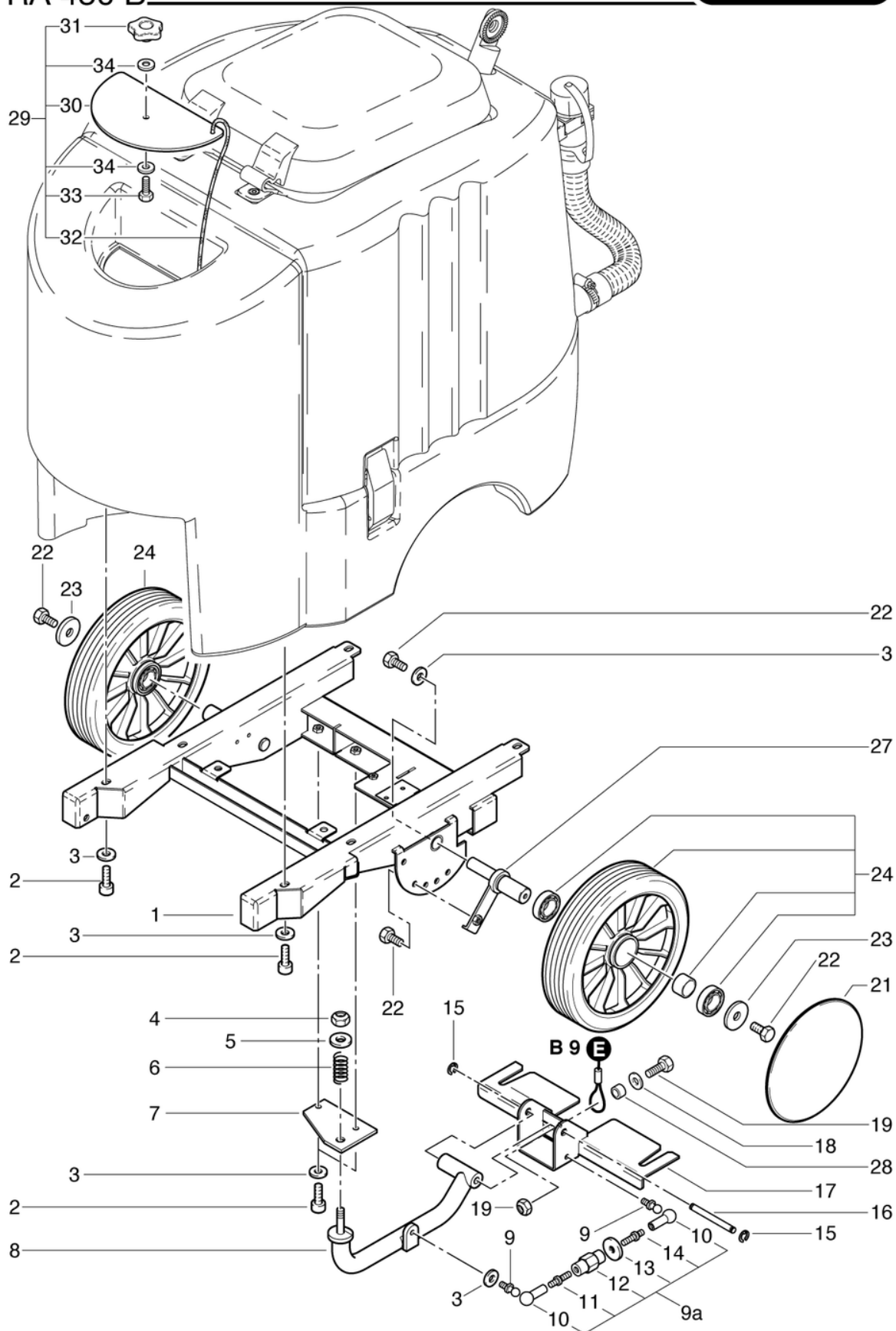
RA430B

Chassis and Wheel

PDF created on: 21.05.2026 14:57



RA 430 B



RA430B

Chassis and Wheel

PDF created on: 21.05.2026 14:57

Pos.	Item no.	Spare part
1	470.110	Chassis compl.
2	P486R	Screw DIN 912 M6 x 16
4	P492H	Nut DIN 985 M8 St galvanized
5	P496P	Washer DIN 125 A M8 8,4/16/1,6 A2
6	P809E	Piston compression spring
7	430.118	Fixing Plate
8	430.816	Support
9a	450.366	Adjusting Spindle
9	P512B	Ball tap DIN 71803 C 10 M6 SW8
10	P512A	Ball socket with snap ring Shape 10
13	P494Y	Nut DIN 467 M6 St vz
15	P513P	Shim DIN 6799 7
16	530.815	Bolt
17	430.815	Support for squeegee
18	P496G	Shim DIN 9021 M5 5,3/15/1,2
19	P488F	Screw DIN 912 M5 x 14 A2
21	530.242	Wheel Cover Red
23	P510L	Washer DIN 522 M6 6,4/25/1,5 A2
24	530.240	wheel ø226 x 53 including bearings
27	430.116	Adjusting pin
28	430.618	Distance ring ø7/5 x 5,5
29	470.414	Freshwater Tank Cover
30	470.413	Freshwater tank cover
31	430.346	Star Handle
32	490.750	Holding rope ø3 x 500mm
33	P472V	Screw DIN 933 M8 x 16 A2
34	P510B	Washer M 8

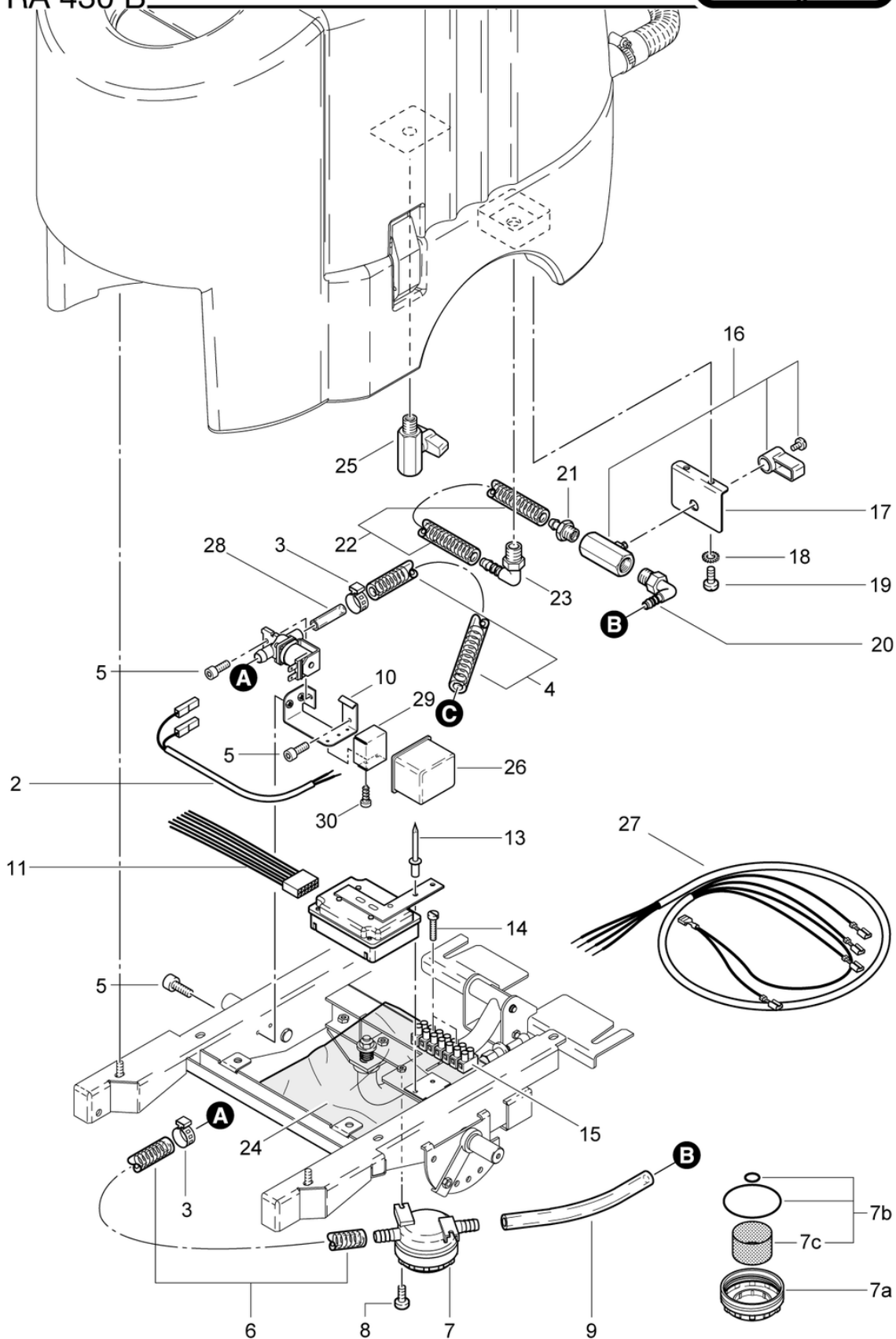
RA430B

Magnetic valve and Filter assembling up to machine no. 8642

PDF created on: 21.05.2026 14:57



RA 430 B



RA430B

Magnetic valve and Filter assembling up to machine no. 8642

PDF created on: 21.05.2026 14:57

Pos.	Item no.	Spare part
2	470.316	Cable
3	P550N	Hose clamp 19 DIN 3021
4	430.231	Hose lye pipe mag valve 62cm
5	P486C	Screw DIN 912 M4 x 10
7a	430.258	Cover to fresh water filter 1/2" + 3/8"
7a	430.759A	Filter Assembly
7	430.759	Fresh water filter 1/2"-1/2" mesh 40
8	P481X	Screw BN 1023 M4 x 12
9	470.239	Hose
10	470.238	Valve support plate
11	470.763	Cable to discharge signal up to KW 49/02
11	470.763A	Cable harness electronic box
13	P485C	Rivet Pop Standard 4.0 x 8.0 Alu / St
14	P488T	Pan head screw M 4x12
15	P383E	7P. 2.5mm2
16	500.355	Solution Valve
17	470.156	Hinge Assy RA430B
18	P499C	Shim DIN 6798 A M5 5,3/10/0,6
19	P488E	Screw DIN 912 M5 x 8 A2
20	P541C	Elbow nipple WES 12 / R1 / 2
21	P5400	Straight nipple GES NW12 / R1 / 2
22	565.419	Hose magnetic valve-nipple Ø18/12 x 190mm
23	P541D	Elbow nipple WES 12 / R3 / 8 "
24	470.760	Protective sheed
25	P508B	Ball tap
26	430.233B	Hose de support 90 mm
27	470.762	Cable harness clamp terminal box
28	470.236	RA430 Reduction Hose

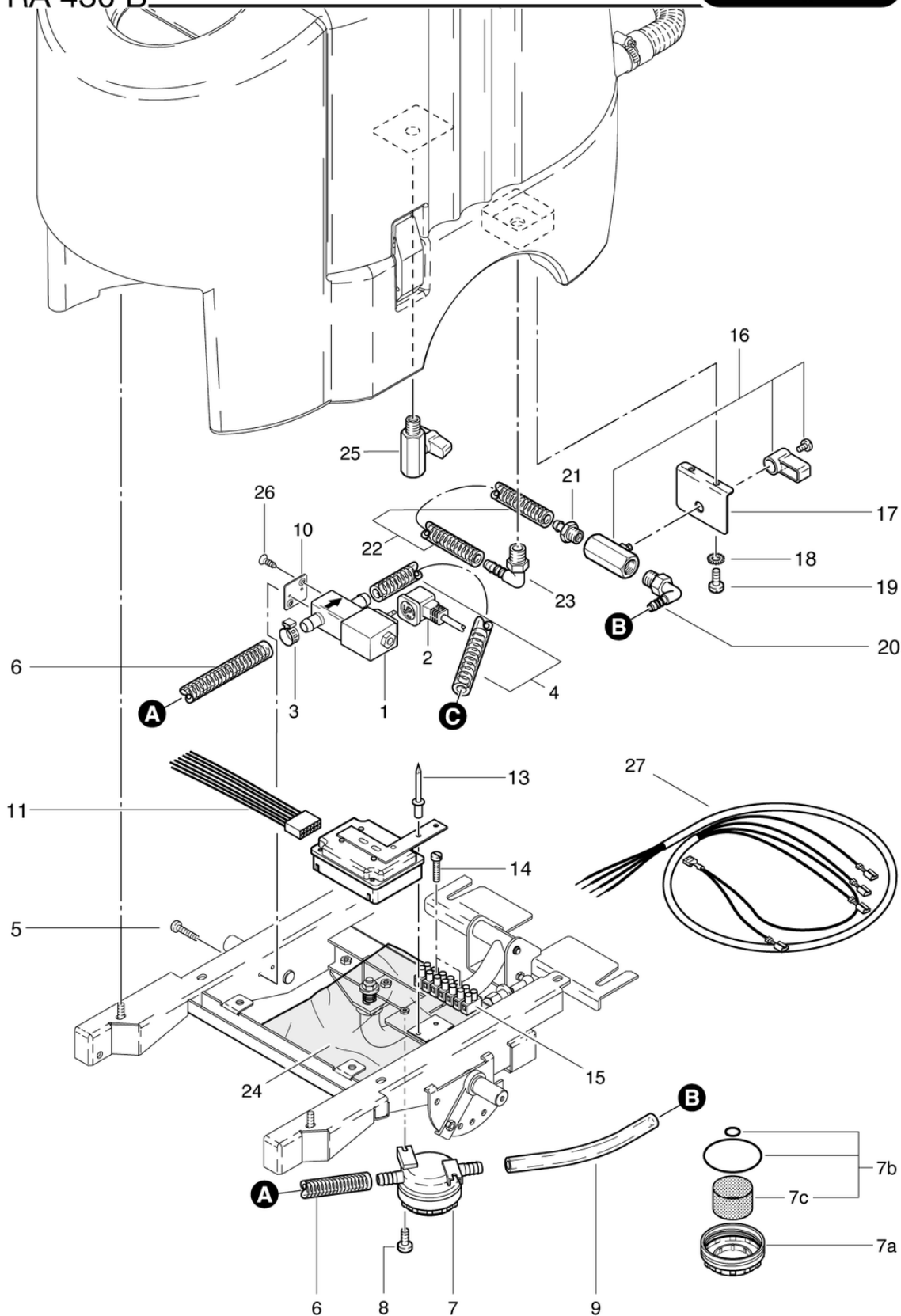
RA430B

Magnetic valve and Filter assembling beg. Machine no. 8643.001

PDF created on: 21.05.2026 14:57



RA 430 B



RA430B

Magnetic valve and Filter assembling beg. Machine no. 8643.001

PDF created on: 21.05.2026 14:57

Pos.	Item no.	Spare part
1	P258	Magnetic valve 24V
2	P264	Cable for magnetic valve
3	P550N	Hose clamp 19 DIN 3021
4	430.231	Hose lye pipe mag valve 62cm
5	P515X	Screw WN 1452 K40 x 20
7a	430.258	Cover to fresh water filter 1/2" + 3/8"
7	430.759	Fresh water filter 1/2"-1/2" mesh 40
8	P481X	Screw BN 1023 M4 x 12
9	470.239	Hose
10	430.240	Retaining Plate
11	470.763A	Cable harness electronic box
13	P485C	Rivet Pop Standard 4.0 x 8.0 Alu / St
14	P488T	Pan head screw M 4x12
15	P383M	Screw terminal with DS, 9 P. 2.5mm
16	500.355	Solution Valve
17	470.156	Hinge Assy RA430B
18	P499C	Shim DIN 6798 A M5 5,3/10/0,6
19	P488E	Screw DIN 912 M5 x 8 A2
20	P541C	Elbow nipple WES 12 / R1 / 2
21	P5400	Straight nipple GES NW12 / R1 / 2
22	565.419	Hose magnetic valve-nipple Ø18/12 x 190mm
23	P541D	Elbow nipple WES 12 / R3 / 8 "
24	470.760	Protective sheed
25	P508B	Ball tap
26	P517BA	Screw WN KA40 x 10
28	470.762	Cable harness clamp terminal box

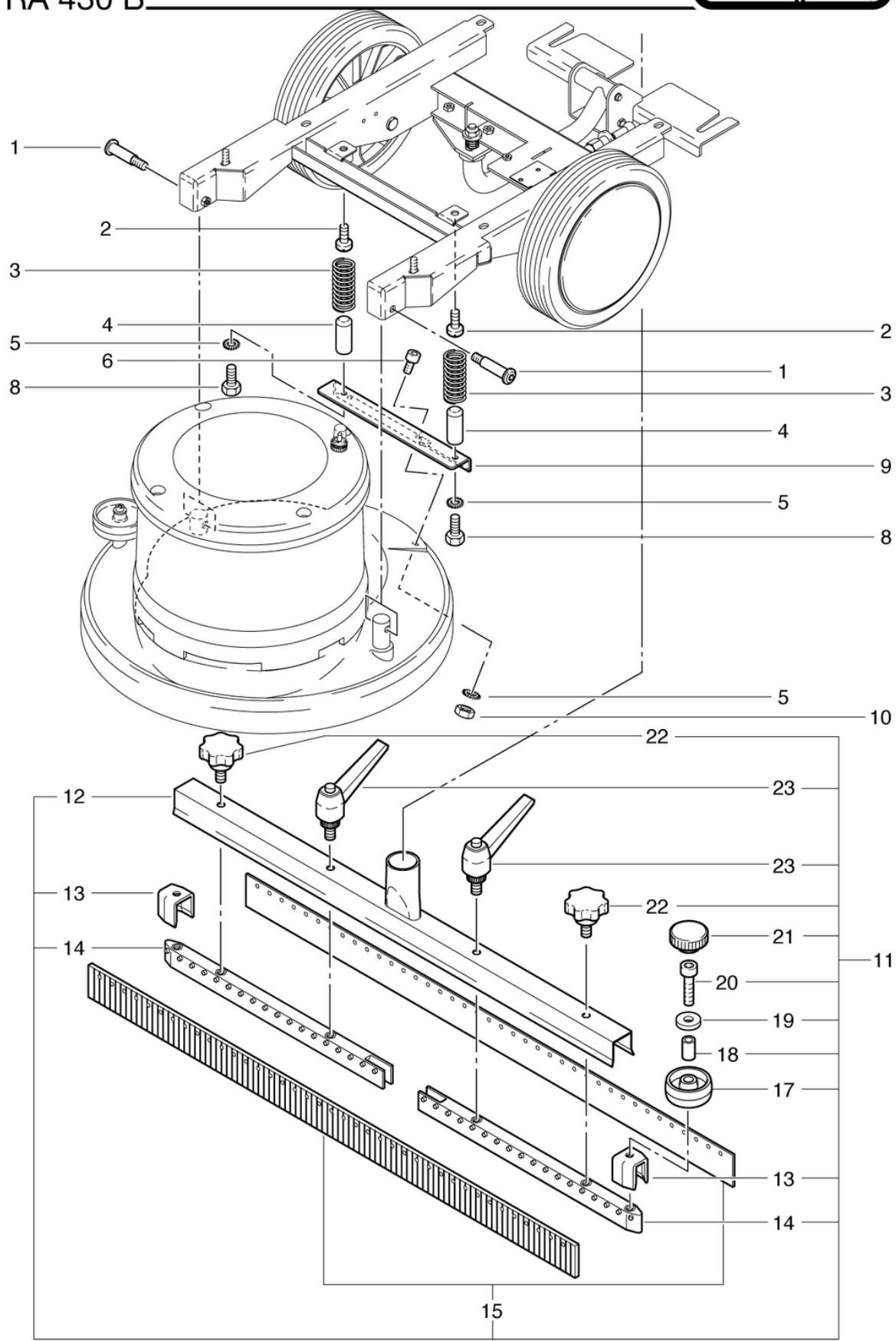
RA430B

Front suction nozzle

PDF created on: 21.05.2026 14:57



RA 430 B



RA430B

Front suction nozzle

PDF created on: 21.05.2026 14:57

Pos.	Item no.	Spare part
1	432.521	Shoulder Screw
2	P475M	Screw DIN 85 A M6 x 10 St vz
3	430.145	Compression spring 1.8 x 14.1 x 74.9
4	430.168	- guiding pin
5	P498K	Shim DIN 6798 M6 6,4/11/0,7
6	P486O	Screw DIN 912 M6 x 18
8	P470R	Screw DIN 933 M6 x 12
9	470.126	Support
11	430.600	Suction nozzle Complete 70cm
12	430.602	Suction nozzle housing
13	530.606	Nozzle End Piece
14	430.603	Holder For Blades
15	430.080	Rubber blade oil resistant (suction nozzle straight)
17	450.364F	Plastic Wheel 50mm
18	530.609	Distance tube 8/6 x 28mm
19	P497H	Washer DIN 9021 M6 6,4/18/1,6 A2
20	P486U	Screw DIN 912 M6 x 35 A2 with shaft
21	P494X	Handle BN 5364 M6 10/20 / 7.5 POM
22	530.607	Star handle ø40 M8 x 16
23	P253B	Levier de serrage

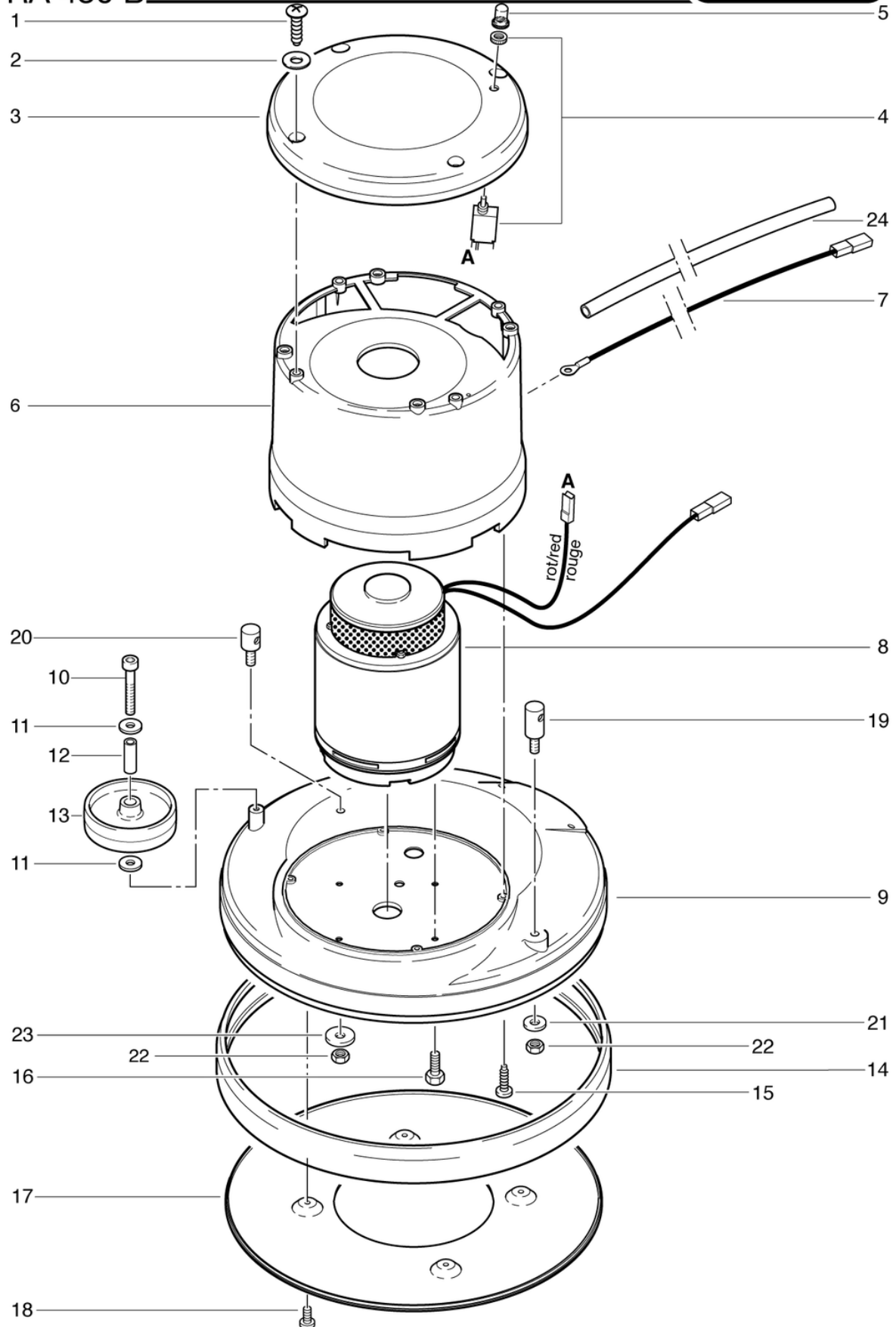
RA430B

Motor

PDF created on: 21.05.2026 14:57



RA 430 B



RA430B

Motor

PDF created on: 21.05.2026 14:57

Pos.	Item no.	Spare part
1	P516H	Screw WN 1451 K50 x 16
2	P496G	Shim DIN 9021 M5 5,3/15/1,2
3	470.220	Red Housing Cover
4	470.711	Motor Protection Switch
5	470.710A	Protection cap
6	470.161	Motor Housing
7	470.765	Cable harness, el. box, motor circuit breaker
8	470.121	Brush Motor 24V 800W
9	470.210	Motor housing
10	P488U	Screw DIN 912 M6 x 45 A2K with shaft
12	530.138	Distance Piece
13	530.136	Fender Wheel RA430/530
14	741.053A	Buffer for housing
15	P515L	Screw WN 1452 K50 x 25 A2
16	P479N	Screw DIN 7991 M6 x 14 A2
17	742.146	Ground
18	P483B	Sheet metal screw 4,8 x 13
19	430.215	Bolt
20	430.214	Bolt
21	P497K	Washer DIN 125 A M6 6,4/12/1,6 A2
22	P492H	Nut DIN 985 M8 St galvanized
23	P496Q	Shim DIN 9021 M8 8,4/24/2
24	P371A	Isolation hose Ø12mm

RA430B

Drive and waterdistribution

PDF created on: 21.05.2026 14:57

Pos.	Item no.	Spare part
1	430.166	Lye tube
2	P492R	Nut DIN 934 M20 x 1.5 A2
3	741.069	Spring
4	742.100	Belt Tension Pulley
5	742.136	Lever
6	P3160	Deep groove ball bearing 6302 2RSR \varnothing 42 / 15 x 13
7	742.135	Distance Ring
8	P496Q	Shim DIN 9021 M8 8,4/24/2
9	P498N	Ring DIN 127 B M8 8,1/14,8/2
10	P487I	Screw DIN 912 M8 x 40
12	P487S	Screw DIN 912 M6 x 20 A2
13	742.129	Distance ring \varnothing 8 / 6 x 4
14	430.157	Pad Driver Hub
15	P343A	V-Ring Forsheda
16	742.141	Pad Hub
17	430.136	Distance shim 46 x 99 x 1
18	P513D	Ring DIN 471 25/1,2
19	741.125	Main Axle
20	P964B	Ring DIN 3771 42,52/2,62 EPDM
21	742.130	Belt wheel Type 1
22	P316Q	Deep groove ball bearing 6003 2RSR \varnothing 35 / 17 x 10
23	3611851	Spacer ring \varnothing 52 / 45 x 15
24	P316P	Deep groove ball bearing 6205 2RS \varnothing 52 / 25 x 15
25	P964A	Ring DIN 3771 55,25/2,62 EPDM
26	742.126	Belt Wheel Mounts use 726.126
27	430.151	Washer 20 x 32 x 3mm
28	530.467	Reduction Hose
29	P550E	Hose clamp 13.3
30	P498Q	Shim NFE 25511 M20 20,5/40/4,9

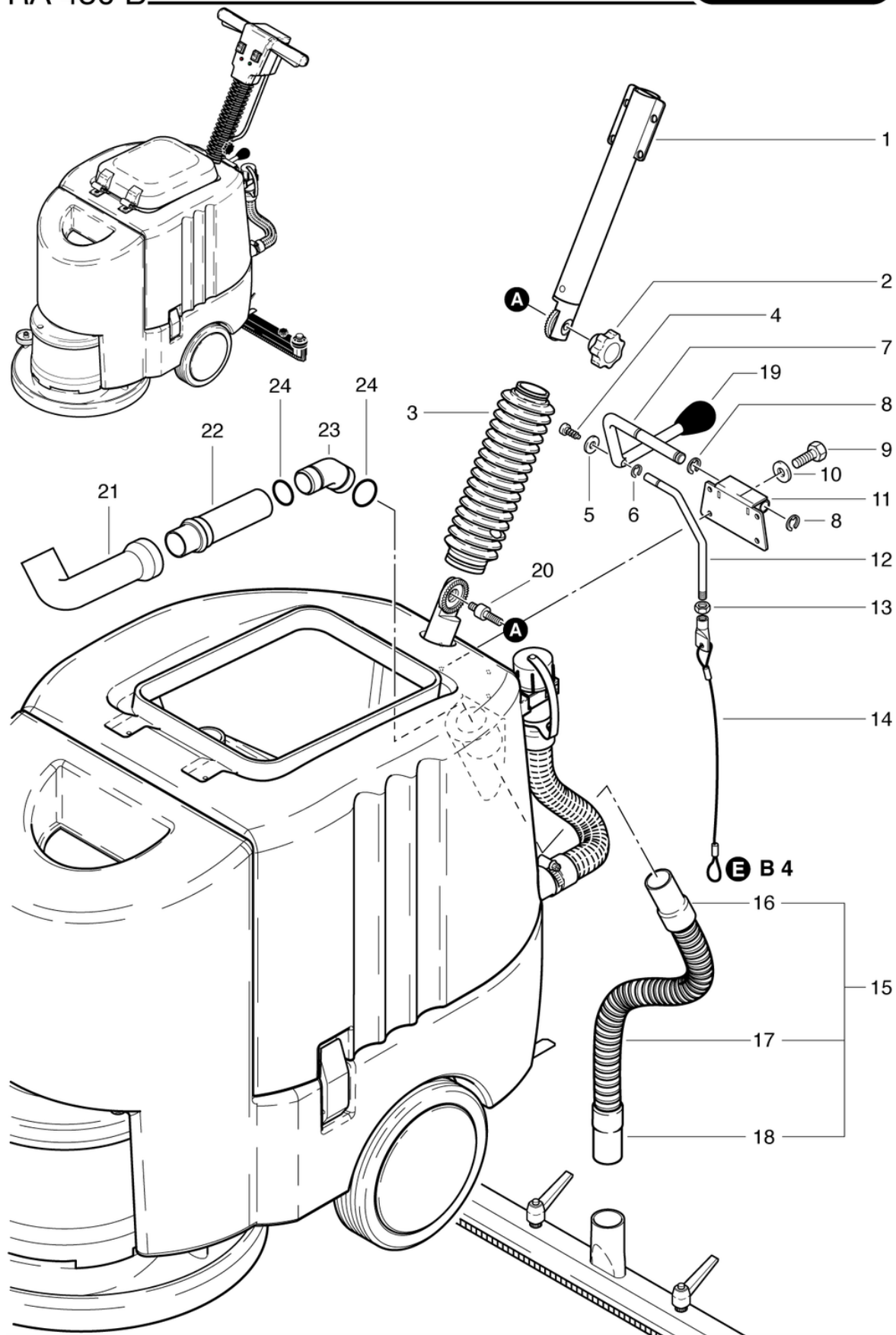
RA430B

Hose and angled tube

PDF created on: 21.05.2026 14:57



RA 430 B



RA430B

Hose and angled tube

PDF created on: 21.05.2026 14:57

Pos.	Item no.	Spare part
1	430.620	Handle Tube
2	430.346	Star Handle
3	430.621	Protection
4	P475C	Screw DIN 85 A M4 x 5 rustproof A2
5	P497C	Washer DIN 9021-A M4 4,3/12/1 A2
6	P498L	Lock ring M5
7	470.823	Lever
8	P498T	Circlip stored St 10
9	P470H	Screw DIN 933 M5 x 12
10	P496G	Shim DIN 9021 M5 5,3/15/1,2
11	430.812	Suspension
13	P491M	Nut DIN 439 M8 St galvanized
14	470.817	RA430B Lifting Wire
15	430.831	Vac Hose cpl.
16	P562C	Sleeve 32mm (screwable)
17	430.832	RA430B Hose 430mm(Hose & Tube)
18	P575B	Connection sleeve 32
19	530.809	Handle RA530B
20	430.614	Threaded Pin
21	470.734	Rubber Shoe
22	430.760	Intermediate tube
23	430.716	Angled Tube
24	P961E	Ring DIN 3771 28/2 EPDM

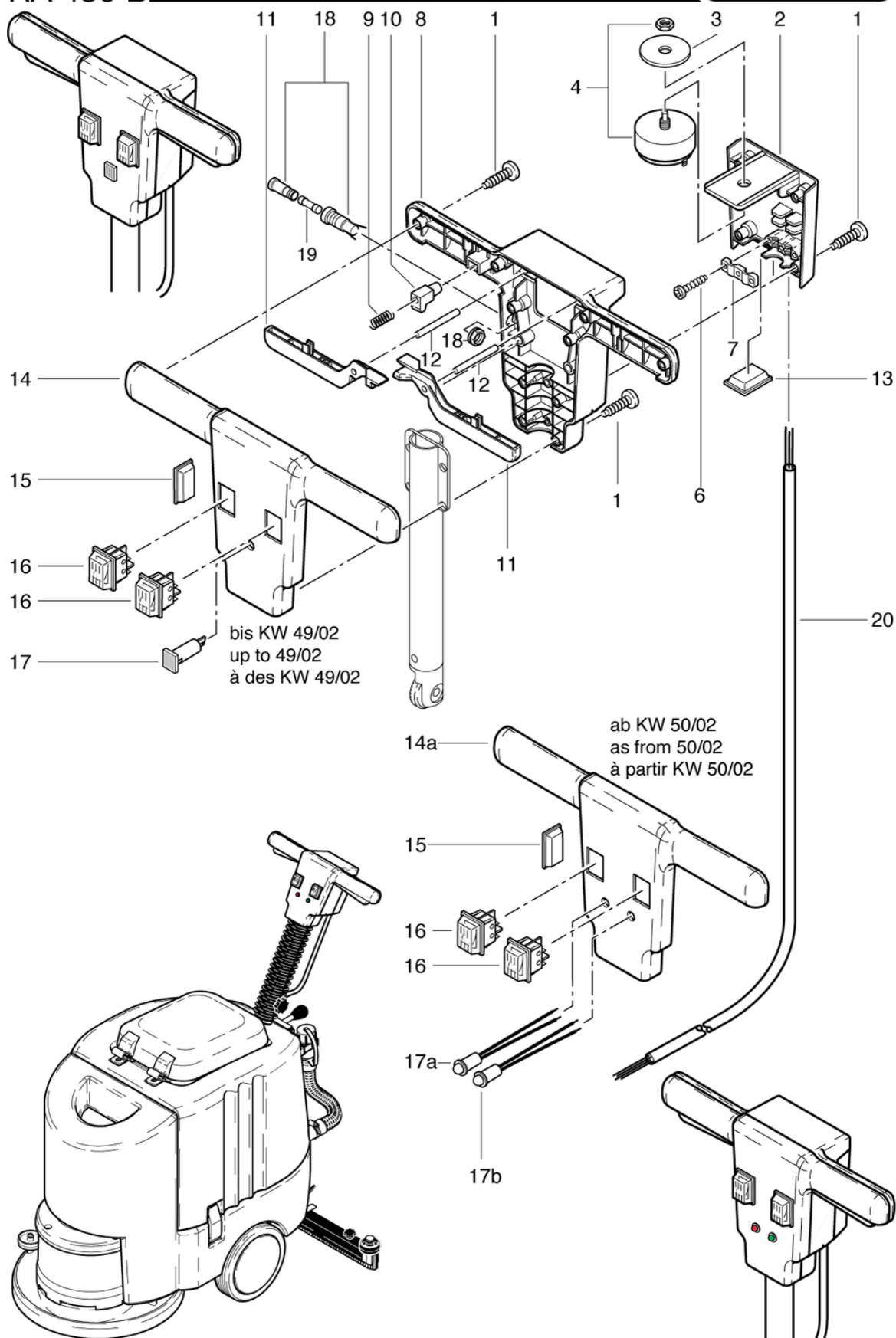
RA430B

Handle

PDF created on: 21.05.2026 14:57



RA 430 B



RA430B

Handle

PDF created on: 21.05.2026 14:57

Pos.	Item no.	Spare part
1	P515L	Screw WN 1452 K50 x 25 A2
2	741.310	Rear Handle Cover
3	P496	Shim DIN 9021 M12 13/37/3
4	6650454	Switch
6	P516Q	Screw WN 1452 K50 x 18
7	742.321	Cable clamp
8	470.324	Rear Handle Housing
9	742.209	Compression spring VD-090L 0.55 / 6 / 29.2
10	742.208	Button grey anthrazite
11	741.204	Switch
12	P512M	Pin ISO 2338 6 x 50 pc vz
13	741.216	Switch Handle
14a	470.321A	Front Handle Housing
14	470.321	Housing
15	P1710	Cover
16	P241	Rocker switch white 24V
17a	P418A	2
17	P398	Warning lamp
18	P364	Housing
19	P363B	Fuse 3A T
20	470.319	Cable tree for pushbar up to KW 49/02
20	470.319A	Cable tree for Push bar

RA430B

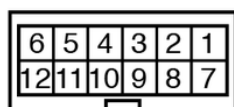
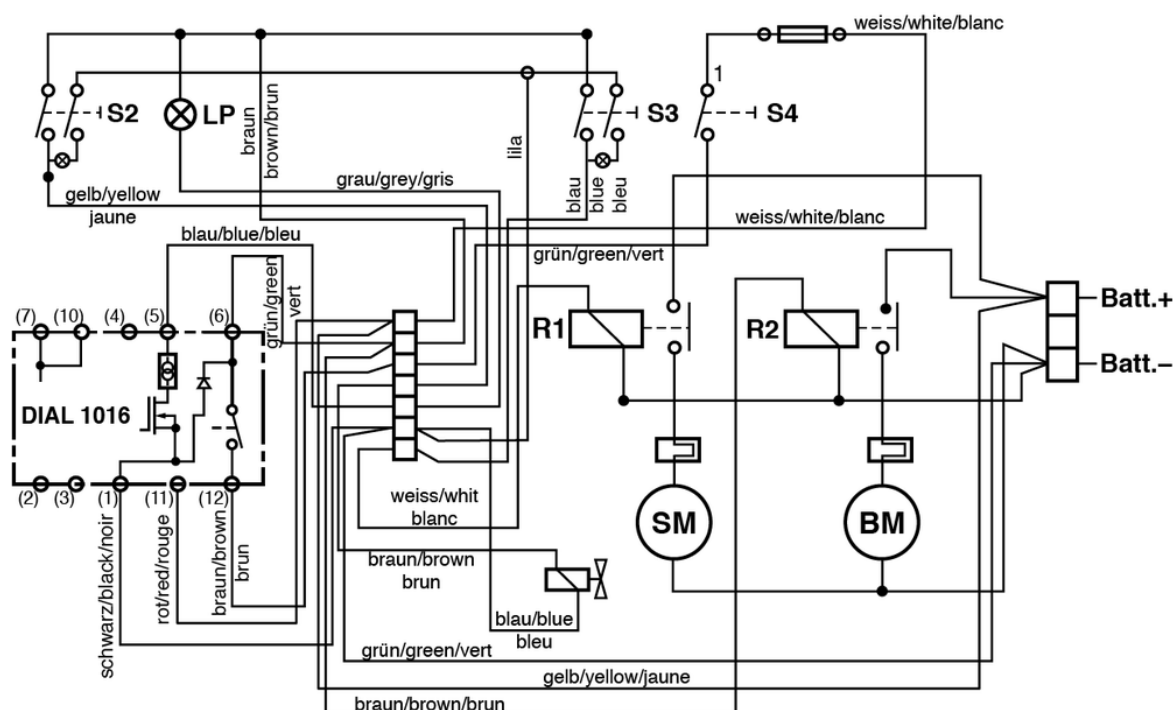
Wiring diagram up to 49/02

PDF created on: 21.05.2026 14:57



RA 430 B

Stromlaufplan RA 430 B bis, à des, up to KW 49



**Steckerbelegung
Elektronik**

- S2 = Wippenschalter Ventil / Tumbler switch valve / Interrupteur pour valve
- S3 = Schalter Saugmotor / Tumbler switch for vacuum motor / Interrupteur pour moteur d'aspiration
- S4 = Schalter Bürstmotor / Tumbler switch for motor / Interrupteur pour moteur
- R1 = Relais Saugmotor / Relais vacuum motor / Relais de démarrage pour moteur d'aspiration
- R2 = Relais Bürstmotor / Relais for motor / Relais de démarrage pour moteur
- SM = Saugmotor / Vacuum motor / Moteur d'aspiration
- BM = Bürstmotor / Motor / Moteur

RA430B

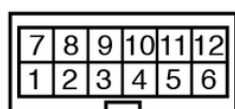
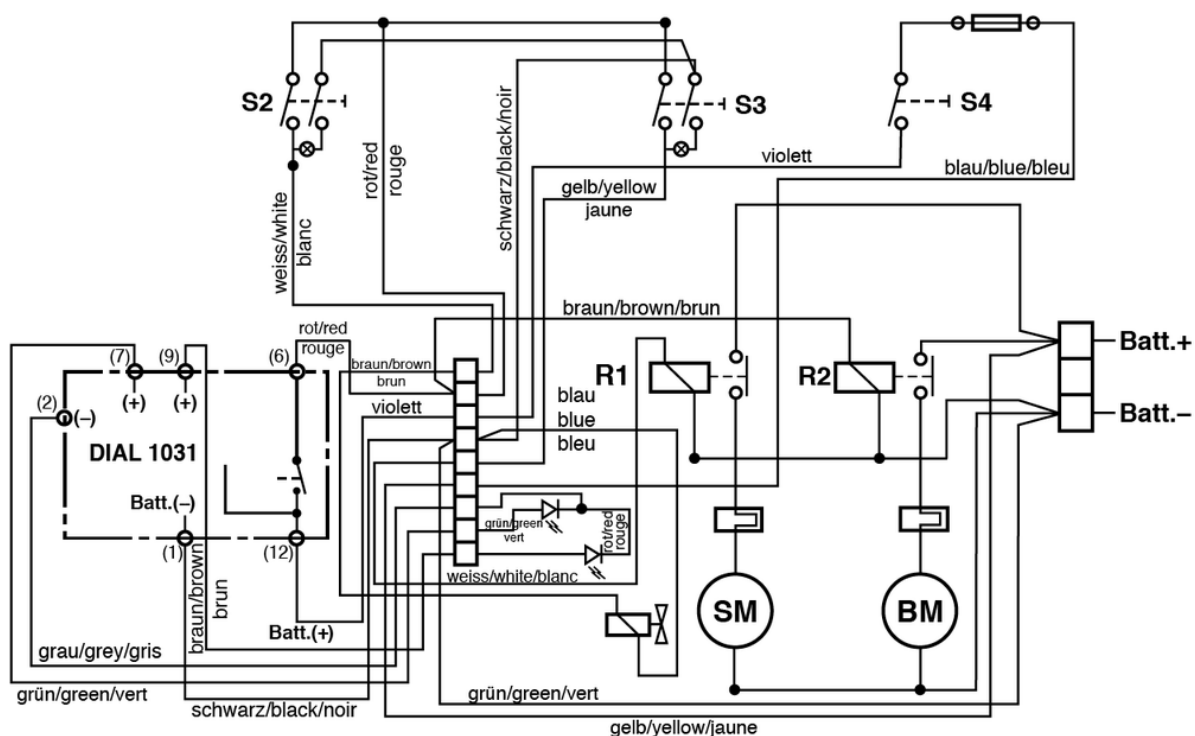
Wiring diagram as from 50/02

PDF created on: 21.05.2026 14:57



RA 430 B

Stromlaufplan RA 430 B ab, à partir, as from KW 50 / 2002



**Steckerbelegung
Elektronik**

- 1 schwarz/black/noir
- 2 grau/grey/gris
- 6 rot/red/rouge
- 7 grün/green/vert
- 9 braun/brown/brun
- 12 violett/violet

- S2 = Wippenschalter Ventil / Tumbler switch valve / Interrupteur pour valve
- S3 = Schalter Saugmotor / Tumbler switch for vacuum motor / Interrupteur pour moteur d'aspiration
- S4 = Schalter Bürstmotor / Tumbler switch for motor / Interrupteur pour moteur
- R1 = Relais Saugmotor / Relais vacuum motor / Relais de démarrage pour moteur d'aspiration
- R2 = Relais Bürstmotor / Relais for motor / Relais de démarrage pour moteur
- SM = Saugmotor / Vacuum motor / Moteur d'aspiration
- BM = Bürstmotor / Motor / Moteur