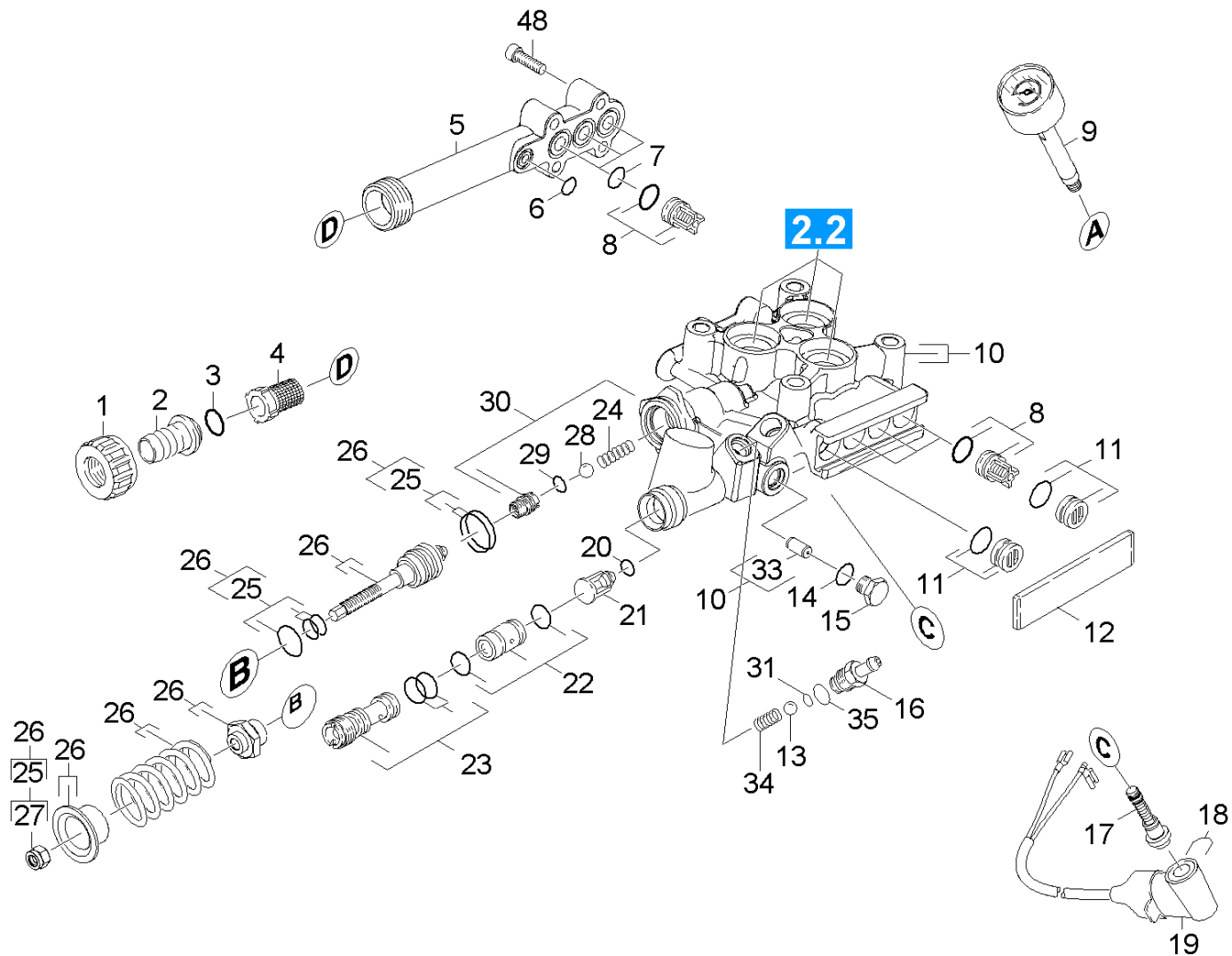


21 Cylinder head

Overview technical documents/Professional/High pressure cleaner cold water/Electric motor/HD 7/18 C *EU (1.151-600.0)/Spare parts list HD 7/18 C/20 Pump set/21 Cylinder head



21 Cylinder head

Overview technical documents/Professional/High pressure cleaner cold water/Electric motor/HD 7/18 C *EU (1.151-600.0)/Spare parts list HD 7/18 C/20 Pump set/21 Cylinder head

Rez.daļas/nodil.pakļ.daļas	Poz.	Materiāla Nr.	Nosaukums	Daudzums	Pārdoš. vienība	no sēr. Nr..	līdz sēr. Nr.
X-X	17	2.883-988.0	SPARE PARTS SET	1.000	ST	0000000000	0000000000
X-X	26	2.884-550.0	Spare part set overflow valve	1.000	ST	0000000000	0000000000
X-X	25	2.884-551.0	Spare part set	1.000	ST	0000000000	0000000000
X-X	22	2.884-853.0	Spare part set nozzle insert	1.000	ST	0000000000	0000000000
X-X	8	2.884-916.0	Valve (3 Stück) from 2.885-299.0	2.000	ST	0000000000	0000000000
X	100	2.885-017.0	Pump set HD 7/18C	1.000	ST		
X-X	11	4.132-007.0	Spare part	4.000	ST	0000000000	0000000000
X-X	30	4.481-226.0	Valve seat complete HD7/18	1.000	ST	0000000000	0000000000
	10	4.550-836.0	Cylinder head only for replacement	1.000	ST		
X-X	19	4.744-201.0	Switch complete	1.000	ST	0000000000	0000000000
X	23	4.769-034.0	Nozzle insert only for replacement	1.000	ST	0000000000	0000000000
	12	5.003-062.0	Plate	1.000	ST	0000000000	0000000000
X-X	18	5.034-494.0	Retaining bracket	1.000	ST	0000000000	0000000000
	5	5.064-150.0	Sūknēšanas kameras vāks	1.000	ST	0000000000	0000000000
	33	5.111-046.0	Sleeve cylinder head	1.000	ST		
	1	5.310-065.0	Nut	1.000	ST	0000000000	0000000000
	34	5.332-258.0	Spirālveida atspere	1.000	ST		
X-X	24	5.332-999.0	threaded ring from 5.332-110.0	1.000	ST	0000000000	0000000000
X-X	15	5.411-070.0	Vītņtapa	1.000	ST	0000000000	0000000000
	2	5.443-229.0	Hose stem	1.000	ST	0000000000	0000000000
X-X	16	5.443-624.0	Nipelis	1.000	ST	0000000000	0000000000
X-X	21	5.584-091.0	Pretvārsta ass	1.000	ST	0000000000	0000000000
X-X	3	6.362-078.0	Gredzenblīve 13,3x2,4	1.000	ST	0000000000	0000000000
X	35	6.362-113.0	Gredzenblīve 6,0 x 2,0 NBR 70	1.000	ST		
X-X	31	6.362-175.0	Gredzenblīve 5,28x 1,78	1.000	ST		

21 Cylinder head

Overview technical documents/Professional/High pressure cleaner cold water/Electric motor/HD 7/18 C *EU (1.151-600.0)/Spare parts list HD 7/18 C/20 Pump set/21 Cylinder head

Rez.daļas/nodil.pakļ.daļas	Poz.	Materiāla Nr.	Nosaukums	Daudzums	Pārdoš. vienība	no sēr. Nr..	līdz sēr. Nr.
X-X	6	6.362-384.0	Gredzenblīve 9x1,5 - NBR 70	1.000	ST	0000000000	0000000000
X-X	7	6.362-533.0	Gredzenblīve 14,0 X 1,5-NBR 70	3.000	ST	0000000000	0000000000
	14	6.362-642.0	O-ring seal	1.000	ST	0000000000	0000000000
X-X	29	6.362-858.0	Gredzenblīve 11,0 X 1,5	1.000	ST	0000000000	0000000000
X-X	20	6.363-613.0	Gredzenblīve 4 x 2 -NBR90	1.000	ST	0000000000	0000000000
X-X	4	6.414-252.0	Sieta filtrs	1.000	ST	0000000000	0000000000
X-X	9	6.421-349.0	Pressure guage	1.000	ST	0000000000	0000000000
X-X	48	7.306-105.0	Skrūve M6x30 -8.8-R3R (In6Rd)	4.000	ST		
X-X	27	7.311-510.0	Hexagon nut M 8-8-A2E ISO 7040	1.000	ST	0000000000	0000000000
X-X	28	7.401-907.0	Sfēra 3/8 G200-1.4301 DIN 5401	1.000	ST	0000000000	0000000000
	13	7.401-908.0	Sfēra 7 G300 -1.4301 DIN 5401	1.000	ST		