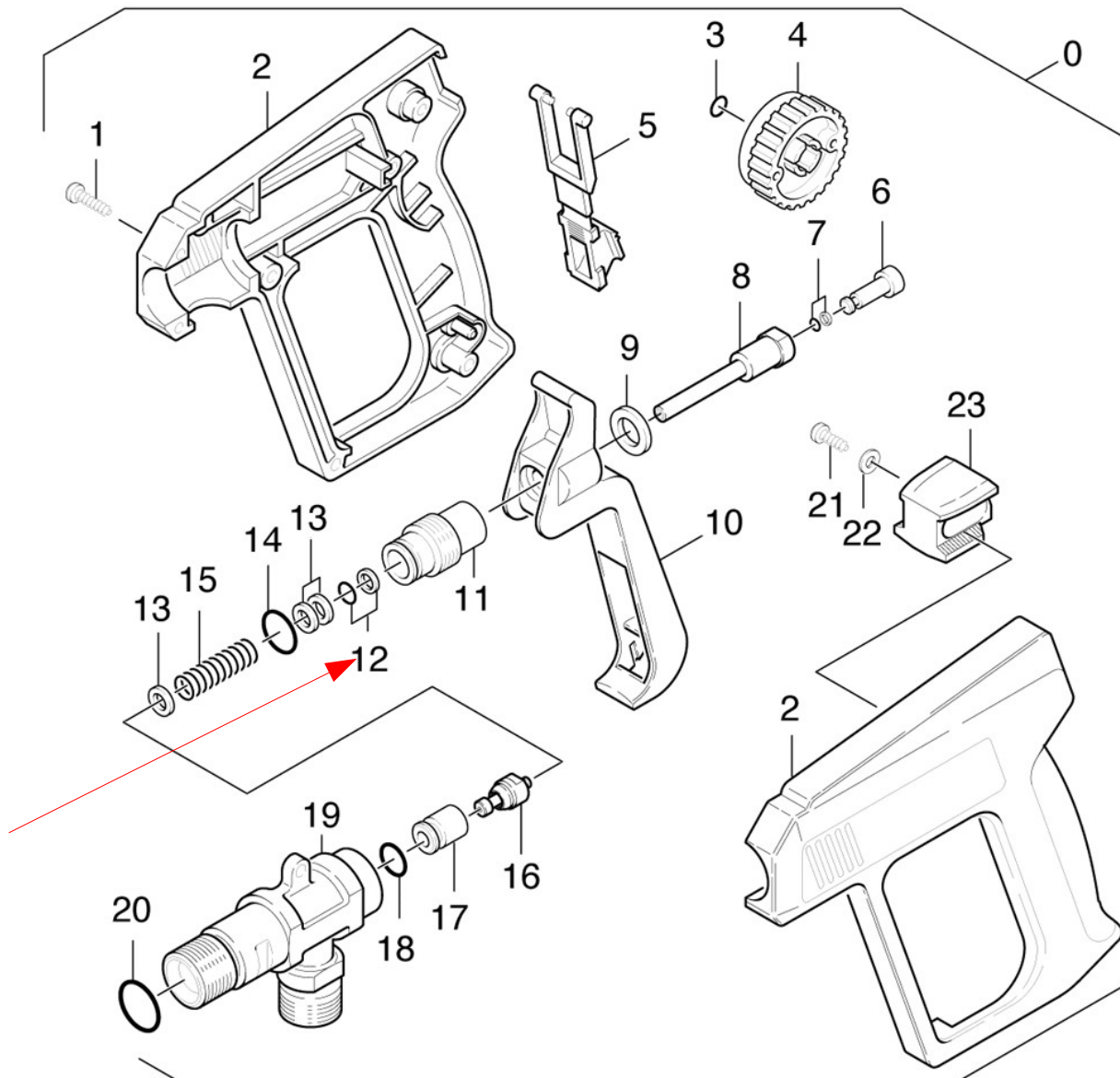


# 114 Hand trigger gun (0.146-595.0)

Overview technical documents/Professional/High pressure cleaner hotwater/Electric motor/HDS 551 C \*AU (1.169-103.0)/Spare parts list HDS 551 C/110 Accessories/114 Hand trigger gun (0.146-595.0)



K6362468

# 114 Hand trigger gun (0.146-595.0)

Overview technical documents/Professional/High pressure cleaner hotwater/Electric motor/HDS 551 C \*AU (1.169-103.0)/Spare parts list HDS 551 C/110 Accessories/114 Hand trigger gun (0.146-595.0)

ET/VT (spare/wear parts)	Pos	Material #	Name	Qty.	Unit	from ser.nr.	up to ser.nr.
X-X	0	4.775-026.0	Hand trigger gun	1.000	ST	00000000000000000000	00000000000000000000
	1	7.303-096.0	Screw 4x22 -ST-10.9-R2R (IN6RD)	8.000	ST	00000000000000000000	00000000000000000000
	2	5.321-174.0	Handhold few	1.000	ST	00000000000000000000	00000000000000000000
X-X	3	6.362-176.0	O-Ring seal 6,07x1,78	1.000	ST	00000000000000000000	00000000000000000000
	4	5.322-006.0	Hand wheel	1.000	ST	00000000000000000000	00000000000000000000
	5	5.030-283.0	Moulded part	1.000	ST	00000000000000000000	00000000000000000000
X	6	5.553-118.0	Piston	1.000	ST	00000000000000000000	00000000000000000000
X-X	7	6.362-477.0	O-Ring seal complete 1ST.-R.	1.000	ST	00000000000000000000	00000000000000000000
	8	5.107-062.0	Bar	1.000	ST	00000000000000000000	00000000000000000000
	9	5.115-227.0	Washer	1.000	ST	00000000000000000000	00000000000000000000
	10	5.481-039.0	Lever	1.000	ST	00000000000000000000	00000000000000000000
	11	5.305-110.0	Shaped screw	1.000	ST	00000000000000000000	00000000000000000000
X-X	12	6.362-468.0	O-Ring seal complete 1ST.-R.	1.000	ST	00000000000000000000	00000000000000000000
	13	5.115-260.0	Washer	3.000	ST	00000000000000000000	00000000000000000000
	14	6.362-478.0	O-Ring seal 12,42X 1,78	1.000	ST	00000000000000000000	00000000000000000000
	15	5.332-140.0	Helical spring	1.000	ST	00000000000000000000	00000000000000000000
X-X	16	4.581-049.0	Valve seat	1.000	ST	00000000000000000000	00000000000000000000
X	17	5.110-348.0	Sleeve	1.000	ST	00000000000000000000	00000000000000000000
	18	6.362-479.0	O-Ring seal 7,59X 2,62	1.000	ST	00000000000000000000	00000000000000000000
	19	5.427-079.0	Manifold	1.000	ST	00000000000000000000	00000000000000000000
	20	6.362-496.0	O-Ring seal 17,12X 2,62-NBR 70	1.000	ST	00000000000000000000	00000000000000000000
	21	6.303-025.0	Oval head screw 4,2x16-St-vz	1.000	ST	00000000000000000000	00000000000000000000
X	22	7.312-001.0	Washer 4 -200HV-A3E ISO 7089	1.000	ST	00000000000000000000	00000000000000000000
	23	5.030-459.0	Moulded part	1.000	ST	00000000000000000000	00000000000000000000
X	100	2.883-014.0	HDS 1290 GUN KIT	1.000	ST	00000000000000000000	00000000000000000000