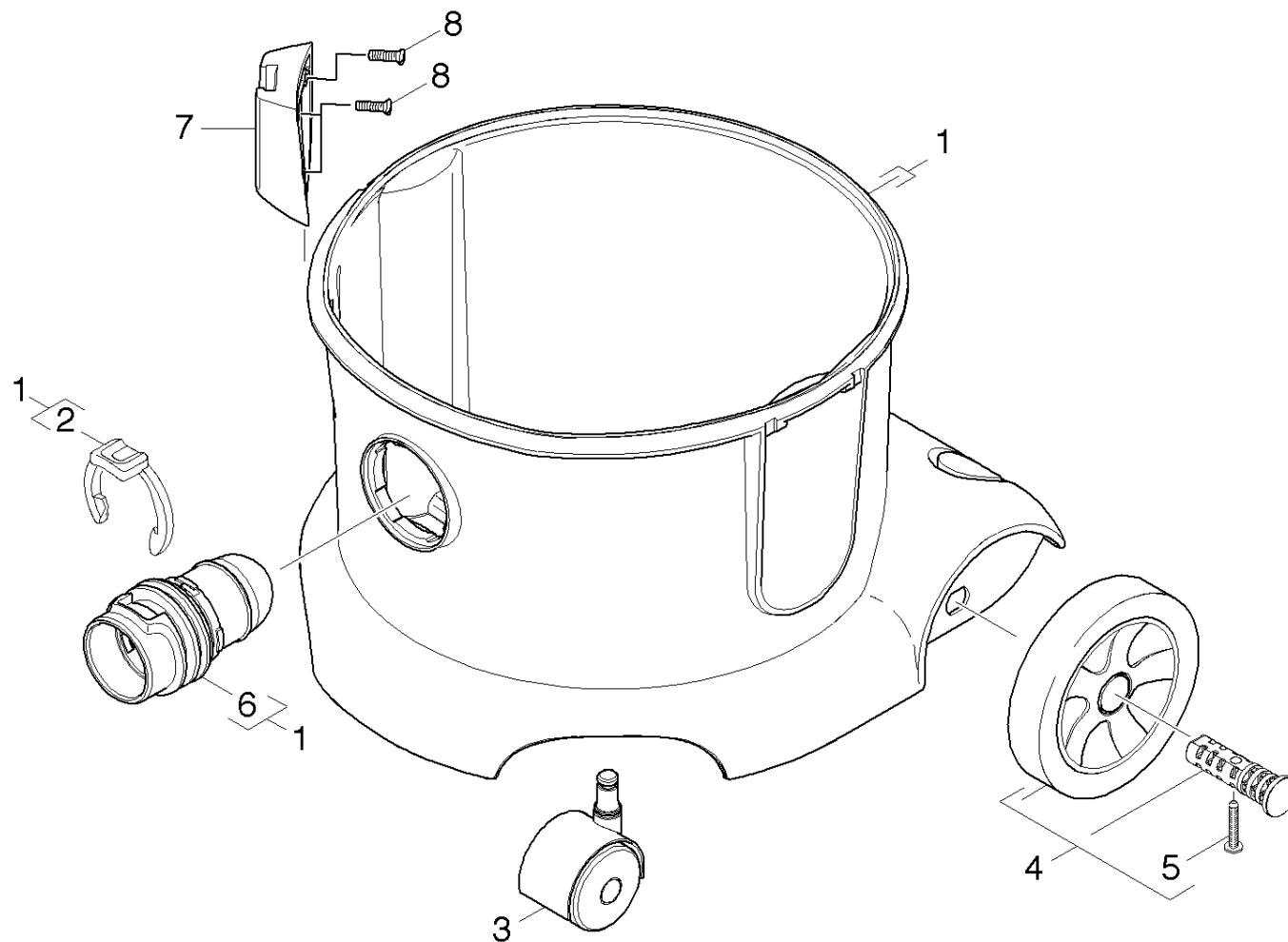


30 Tank

Overview technical documents/Professional/Vacuum cleaner/Dry vacuum cleaner/T 10/1 *EU (1.527-150.0)/Spare parts list T 10/1 *EU/30 Tank



30 Tank

Overview technical documents/Professional/Vacuum cleaner/Dry vacuum cleaner/T 10/1 *EU (1.527-150.0)/Spare parts list T 10/1 *EU/30 Tank

Pos	Material #	Name	Qty.	Unit	from ser.nr.	up to ser.nr.
1	4.070-800.0	Tank complete	1.000	ST	0000000000	0000000000
2	5.343-022.0	Locking ring	1.000	ST	0000000000	0000000000
3	6.903-258.0	Double castor	2.000	ST	0000000000	0000000000
4	4.515-257.0	Wheel complete T 7/1	1.000	ST	0000000000	0000000000
5	7.303-086.0	Screw 5x30 -10.9-R2R (K-In6Rd)	2.000	ST	0000000000	0000000000
6	5.032-567.0	Suction connection - T	1.000	ST	0000000000	0000000000
7	5.032-915.0	Moulded part retainer accessories	1.000	ST	0000000000	0000000000
8	7.303-129.0	Screw 4x16 -10.9-R2R (K-In6Rd)	3.000	ST	0000000000	0000000000