

## **Spare parts list**

(1.524-955.0) HD 7/16-4M \*EU

## Table of contents

---

HD 7/16-4M *EU (1.524-955.0)	3
Spare parts list HD 7/16-4 M	4
20 Unit HD 7/16-4 M	6
10 Pump set HD 7/16-4 M *EU (D145)	8
1 Thrust guidance complete HD-M TK48 D18	11
3 Set motor complete HD 8/18-4 M *EU (4.100-636.0)	13
1 Motor complete HD 8/18-4 M *EU (D145)	15
4 Cylinder head complete HD-M TK48 D18 Ser	17
1 Valve (3 Stueck) (2.884-512.0)	19
3 Water intake complete	21
10 Valve screw (4.483-001.0)	23
21 Valve complete (4.580-594.0)	25
60 Cable 1,5x220-SW	27
61 Cable 1,5x250-SW	28
900 Pump set HD-M (2.883-074.0)	29
1 Valve (3 Stueck) (2.884-512.0)	31
9 Valve complete (4.580-594.0)	33
33 Module shearing shackle complete HD-M	35
21 EASY!Force Advanced (4.118-005.0)	37
1 Hand trigger gun TR EH 155	38
9000 Spare part set lever (2.885-483.0)	40
22 Jet pipe TR 840 mm (4.112-006.0)	42
1 Jet pipe TR 840 mm	43
23 Hose assembly TR drehbar DN6 30MPa 10m (6.110-056.0)	45
1 Hose assembly TR rotatable DN6 30MPa 10m	46
25 Power nozzle TR 25042 (2.113-007.0)	48
27 Rotary controller TR 270L (4.118-007.0)	50
1 Rotary controller TR 270L	51
10 Short spare parts list	53

HD 7/16-4M \*EU (1.524-955.0)

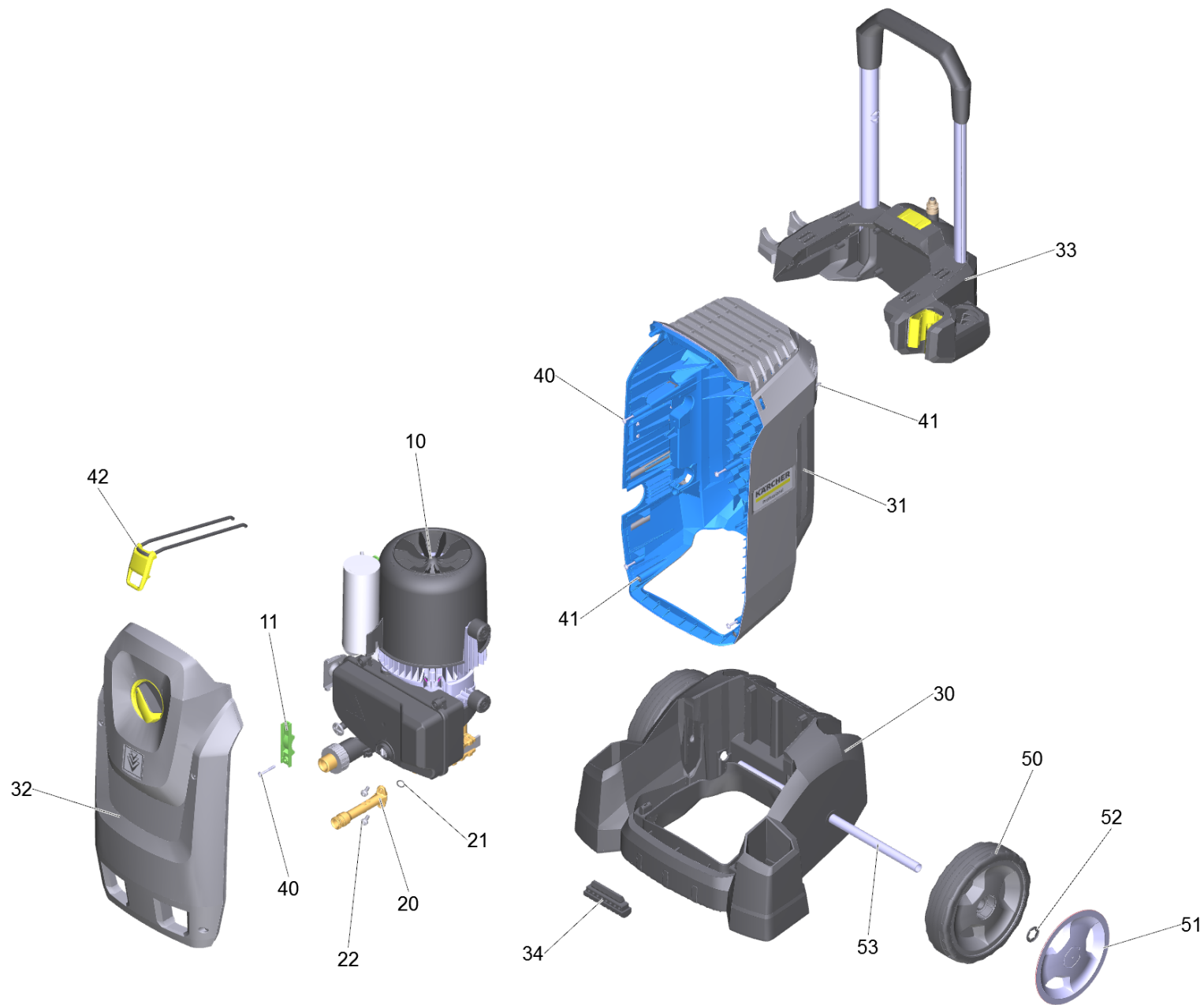
---

<b>POS</b>	<b>Description</b>	<b>Quantity</b>	<b>Unit</b>
10	Short spare parts list	1.000	ST
0	Spare parts list HD 7/16-4 M	1.000	ST



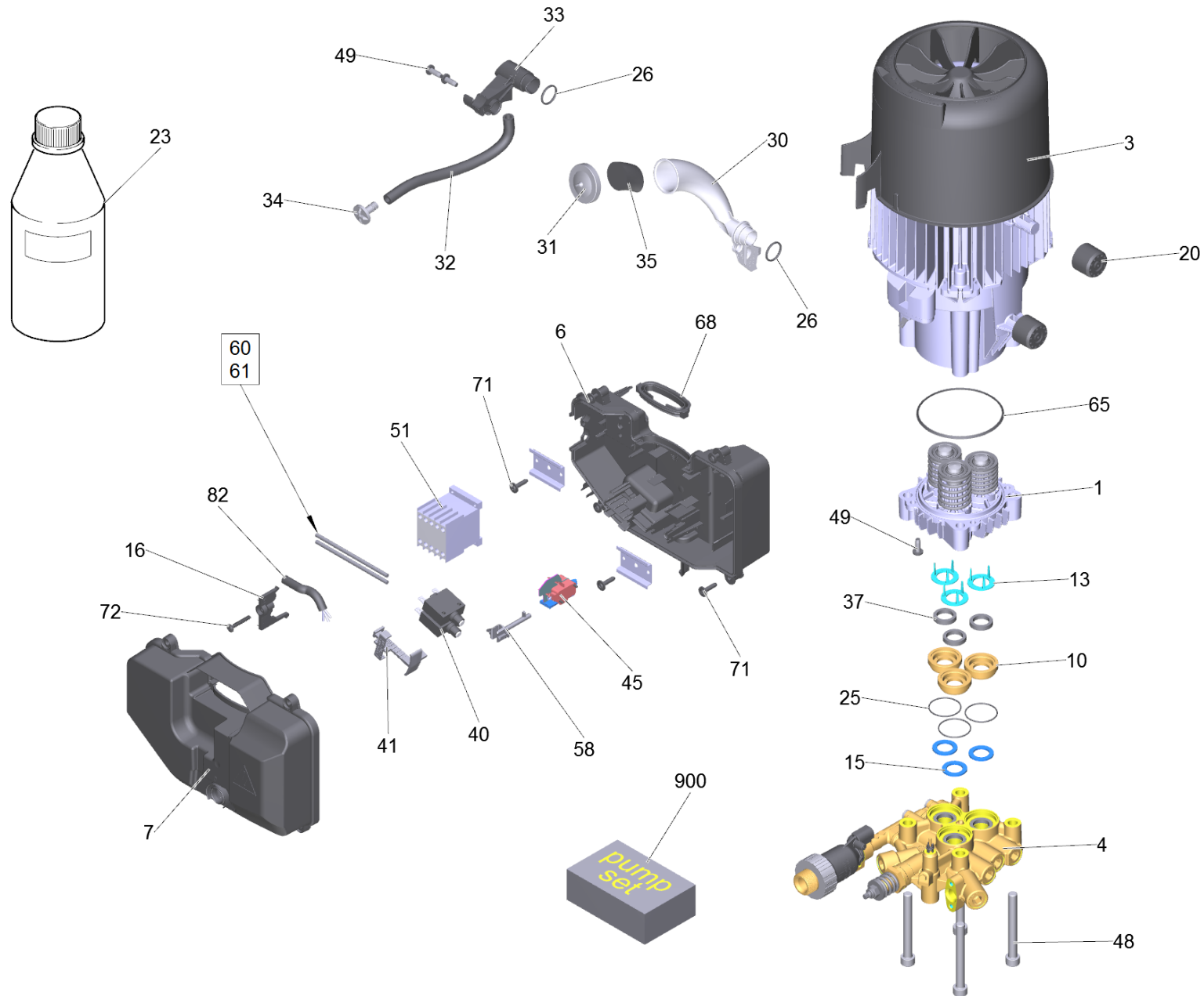
Spare parts list HD 7/16-4 M

POS	Article no.	Description	Quantity	Unit
24	6.465-031.0	Connection 3/4	1.000	ST
21	4.118-005.0	EASY!Force Advanced	1.000	ST
23	6.110-056.0	Hose assembly TR drehbar DN6 30MPa 10m	1.000	ST
22	4.112-006.0	Jet pipe TR 840 mm	1.000	ST
25	2.113-007.0	Power nozzle TR 25042	1.000	ST
27	4.118-007.0	Rotary controller TR 270L	1.000	ST
20		Unit HD 7/16-4 M	1.000	ST
6	5.387-620.0	Warning sticker-Prevent from freezing	1.000	ST



## 20 Unit HD 7/16-4 M

POS	Article no.	Description	Quantity	Unit
53	5.105-128.0	Axle	1.000	ST
30	5.034-144.3	Chassis for replacement	1.000	ST
20	5.789-077.0	High-pressure outlet Tr22	1.000	ST
52	6.343-168.0	Lock washer	2.000	ST
33		Module shearing shackle complete HD-M	1.000	ST
11	5.802-288.0	Mounting part	2.000	ST
21	6.362-151.0	O-Ring d. 10 x 2 NBR 70	1.000	ST
10		Pump set HD 7/16-4 M *EU (D145)	1.000	ST
40	6.961-049.0	Screw	6.000	ST
41	7.303-108.0	Screw 5x20 -10.9-R2R (In6Rd)	10.000	ST
22	7.306-090.0	Screw M6x16 -8.8-R3R (In6Rd)	2.000	ST
32	4.100-632.0	Set cover for replacement HD-M	1.000	ST
31	4.100-637.0	Set housing for replacement	1.000	ST
34	5.057-062.0	Support	2.000	ST
42	4.060-039.0	Tensioning rope complete	1.000	ST
51	5.515-093.0	Wheel cap large RAL 7012	2.000	ST
50	5.515-222.3	Wheel for replacement D205	2.000	ST





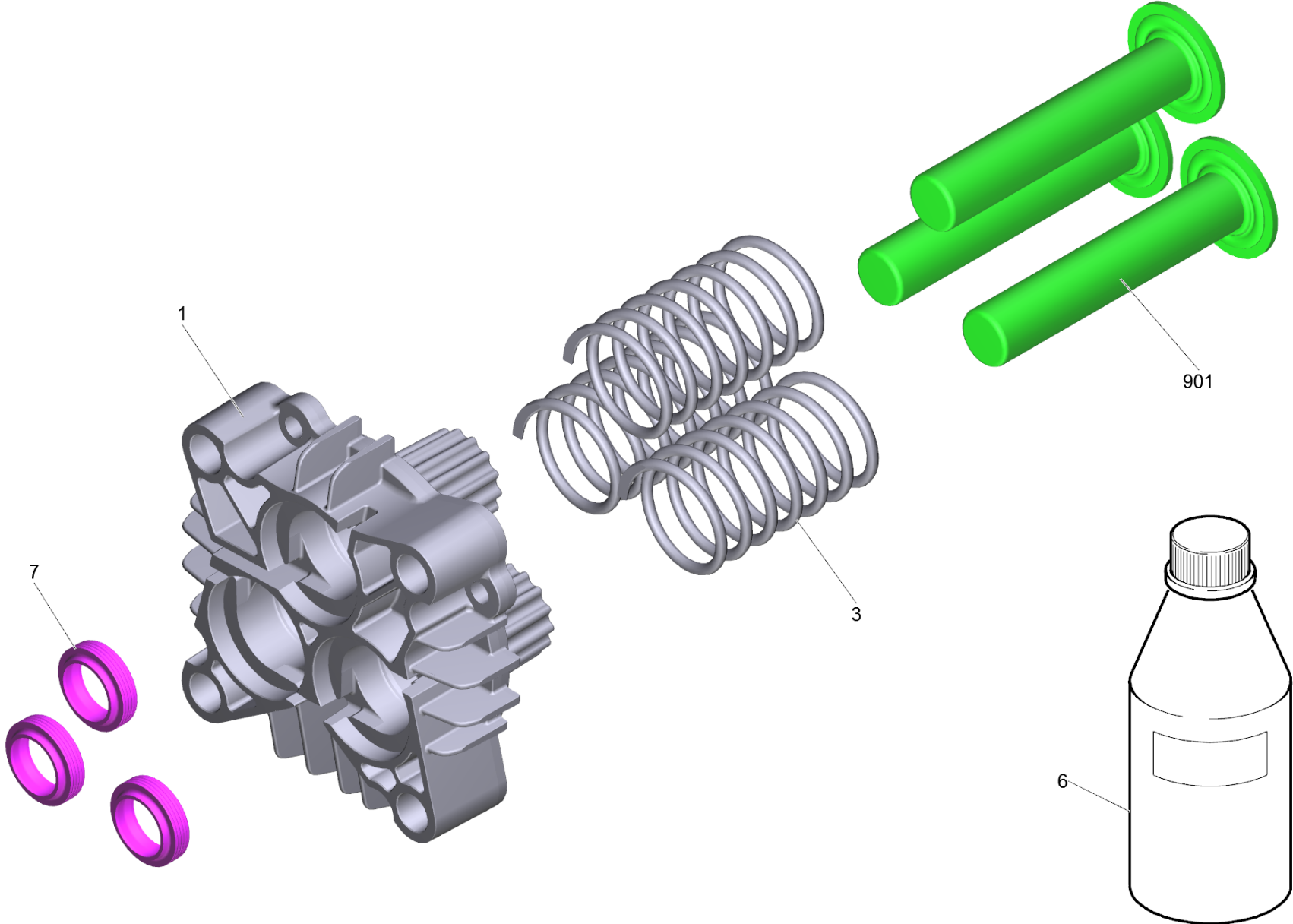
10 Pump set HD 7/16-4 M \*EU (D145)

POS	Article no.	Description	Quantity	Unit
34	5.443-030.0	Blind plug drain hose oil	1.000	ST
10	5.112-031.0	Bush	3.000	ST
60		Cable 1,5x220-SW	3.000	ST
61		Cable 1,5x250-SW	2.000	ST
82	6.650-656.3	Cable with plug for replacement *EU	1.000	ST
51	6.632-173.0	Contactora 4,0KW/400V	1.000	ST
7	5.064-089.0	Cover electric box	1.000	ST
31	5.064-454.0	Cover qusty grey	1.000	ST
4		Cylinder head complete HD-M TK48 D18 Ser	1.000	ST
48	7.306-807.0	Cylinder head screw M10x85-8.8-A3E ISO4	4.000	ST
6	5.811-001.0	Electric box	1.000	ST
23	6.288-050.0	Engine oil 1L	1.000	ST
37	6.365-526.0	Grooved ring 18x26x5.4	3.000	ST
32	6.389-610.0	Hose	205.000	M
33	5.443-029.0	Hose stem drain hose oil	1.000	ST
45	6.961-000.0	Micro switch	1.000	ST
26	6.362-161.0	O-Ring seal 19,3 X 2,4	2.000	ST
25	6.362-406.0	O-Ring seal 33,05X 1,78-NBR 70	3.000	ST
65	6.362-963.0	O-Ring seal 88,57X 2,62	1.000	ST
30	5.070-176.0	Oil container	1.000	ST
35	5.132-187.0	Plug	1.000	ST
900	2.883-074.0	Pump set HD-M	1.000	ST
20	5.767-005.0	Rubber buffer	4.000	ST
40	6.630-824.0	Safety switch E-T-A 1659 (15A)	2.000	ST
71	6.303-125.0	Screw 5x20-Sonder In6Rd+Spitze	5.000	ST
72	7.303-086.0	Screw 5x30 -10.9-R2R (K-In6Rd)	1.000	ST
49	7.303-047.0	Screw M6x16 -St-R3R (In6Rd)	4.000	ST
68	5.363-761.0	Seal label	1.000	ST
58	5.045-064.0	Selector shaft electric box 57mm	1.000	ST
3	4.100-636.0	Set motor complete HD 8/18-4 M *EU	1.000	ST
41	5.045-071.0	Slider E-T-A	1.000	ST
13	5.116-019.3	Supporting disk for replacement D18	3.000	ST
16	5.263-003.0	Tensioning part	1.000	ST

10 Pump set HD 7/16-4 M \*EU (D145)

---

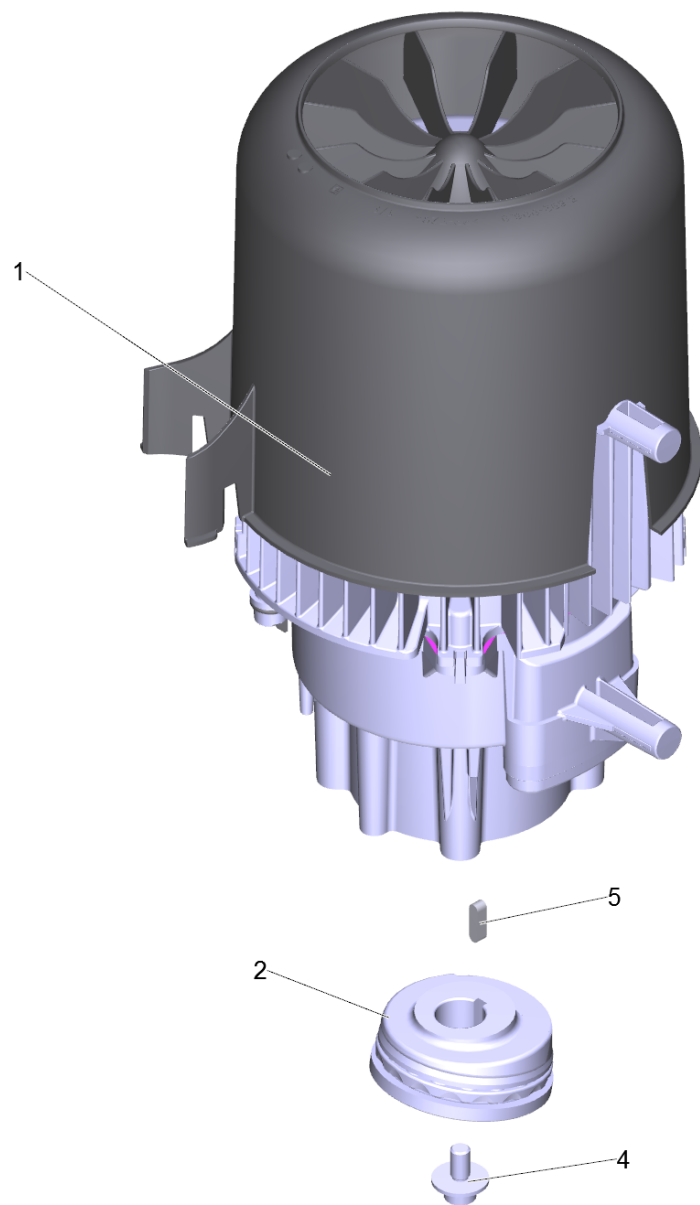
<b>POS</b>	<b>Article no.</b>	<b>Description</b>	<b>Quantity</b>	<b>Unit</b>
1		Thrust guidance complete HD-M TK48 D18	1.000	ST
15	5.115-431.0	Washer	3.000	ST



## 1 Thrust guidance complete HD-M TK48 D18

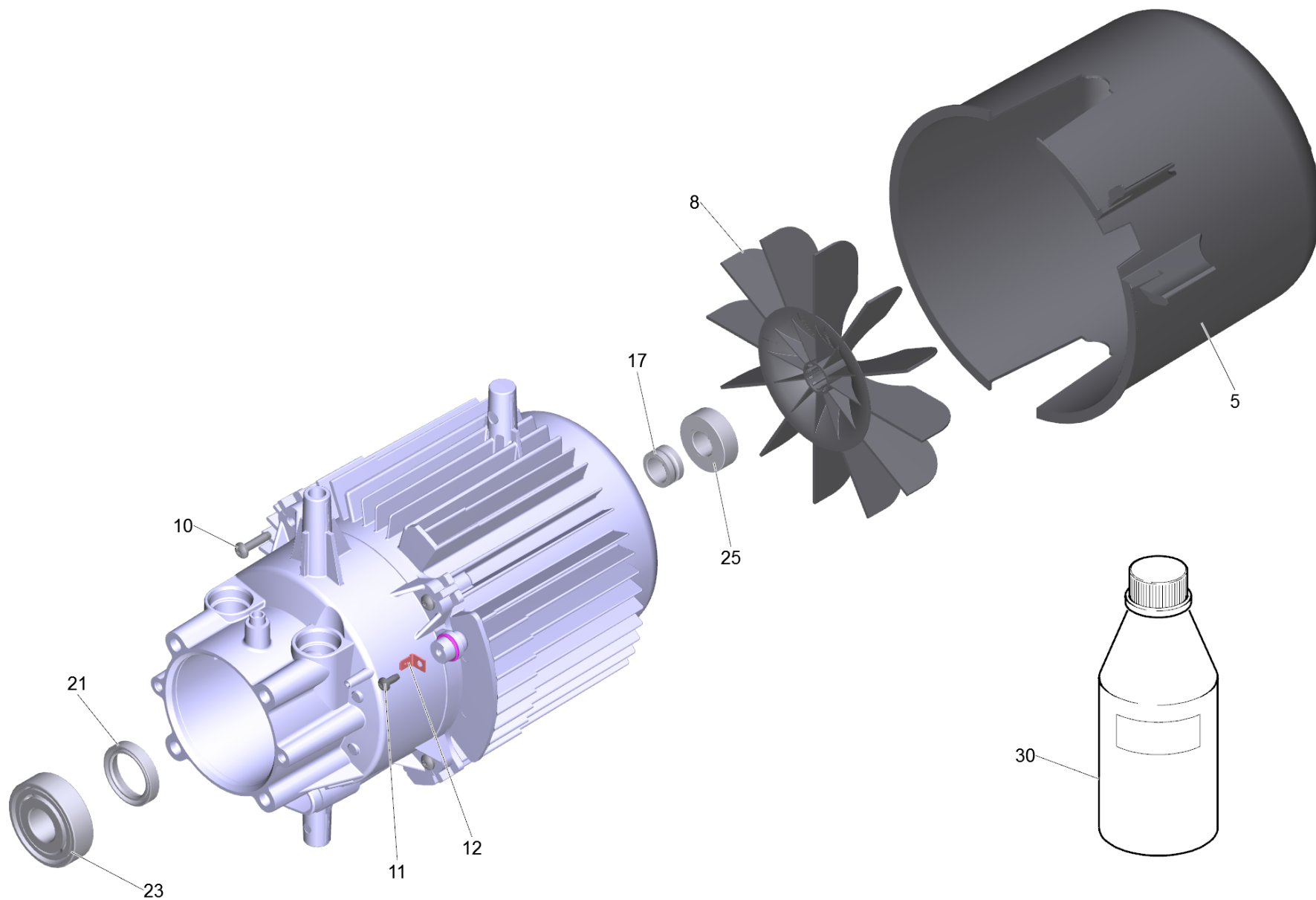
---

<b>POS</b>	<b>Article no.</b>	<b>Description</b>	<b>Quantity</b>	<b>Unit</b>	<b>Foot note text</b>
6	6.288-050.0	Engine oil 1L	1.000	ST	ASSEMBLING AID
7	6.365-334.0	Grooved ring 18X26X6/8	3.000	ST	
3	5.332-529.0	Helical spring	3.000	ST	
901	4.100-639.0	Set piston complete	3.000	ST	
1	5.093-060.0	Thrust guidance HD-M TK48 D18	1.000	ST	



3 Set motor complete HD 8/18-4 M \*EU (4.100-636.0)

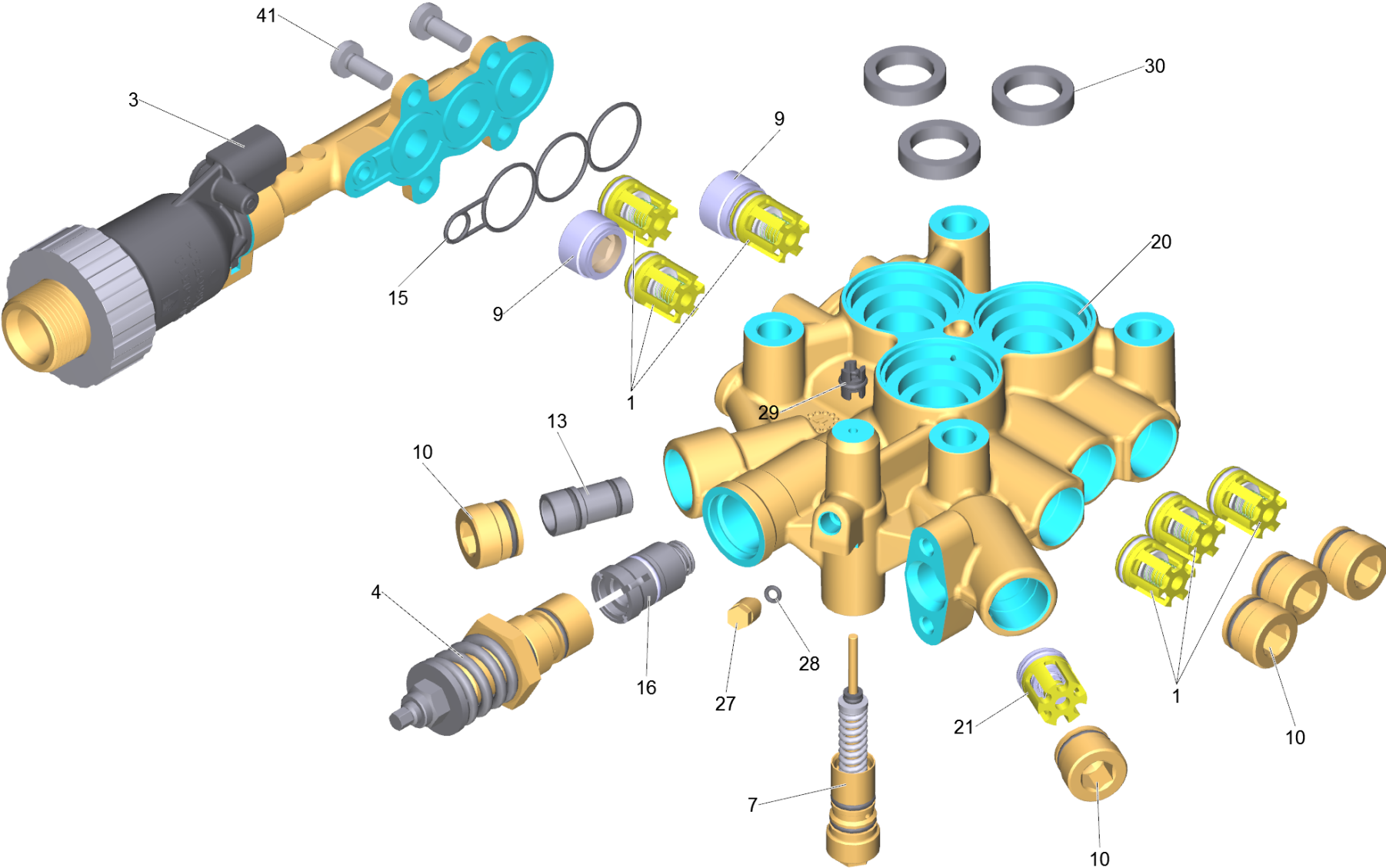
POS	Article no.	Description	Quantity	Unit
1		Motor complete HD 8/18-4 M *EU (D145)	1.000	ST
5	7.318-070.0	Parallel key 5x5x20-C45R DIN 6885-1	1.000	ST
2	4.120-215.0	Wobble plate	1.000	ST
4	9.086-169.0	Wobble plate screw M8x16	1.000	ST



1 Motor complete HD 8/18-4 M \*EU (D145)

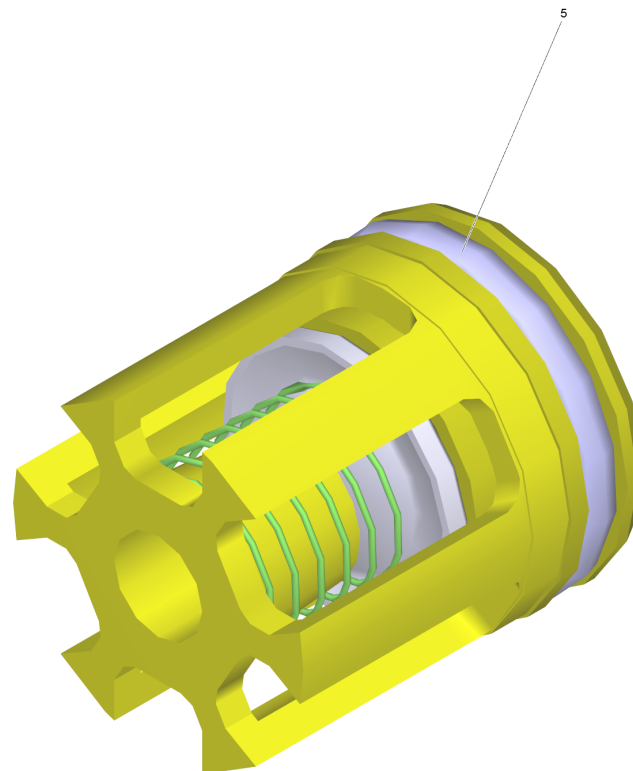
POS	Article no.	Description	Quantity	Unit	Foot note text
5	5.692-004.0	Air circulation D145	1.000	ST	
25	6.401-285.0	Ball bearing 6204 2RS	1.000	ST	
8	5.600-029.0	Blower wheel	1.000	ST	
30	6.288-050.0	Engine oil 1L	1.000	ST	ASSEMBLING AID
21	7.367-156.0	Radial shaft seal ring A30x40x7-NBR DIN	1.000	ST	
11	7.303-031.0	Screw M4x10 -St-P2R (In6Rd)	1.000	ST	
10	7.306-385.0	Screw M8x20 -8.8-R3R ISO 14583	4.000	ST	
12	6.641-239.0	Tab	1.000	ST	
23	6.401-396.3	Taper roller bearing for replacement 313	1.000	ST	
17	6.343-178.0	Tolerance ring	1.000	ST	





#### 4 Cylinder head complete HD-M TK48 D18 Ser

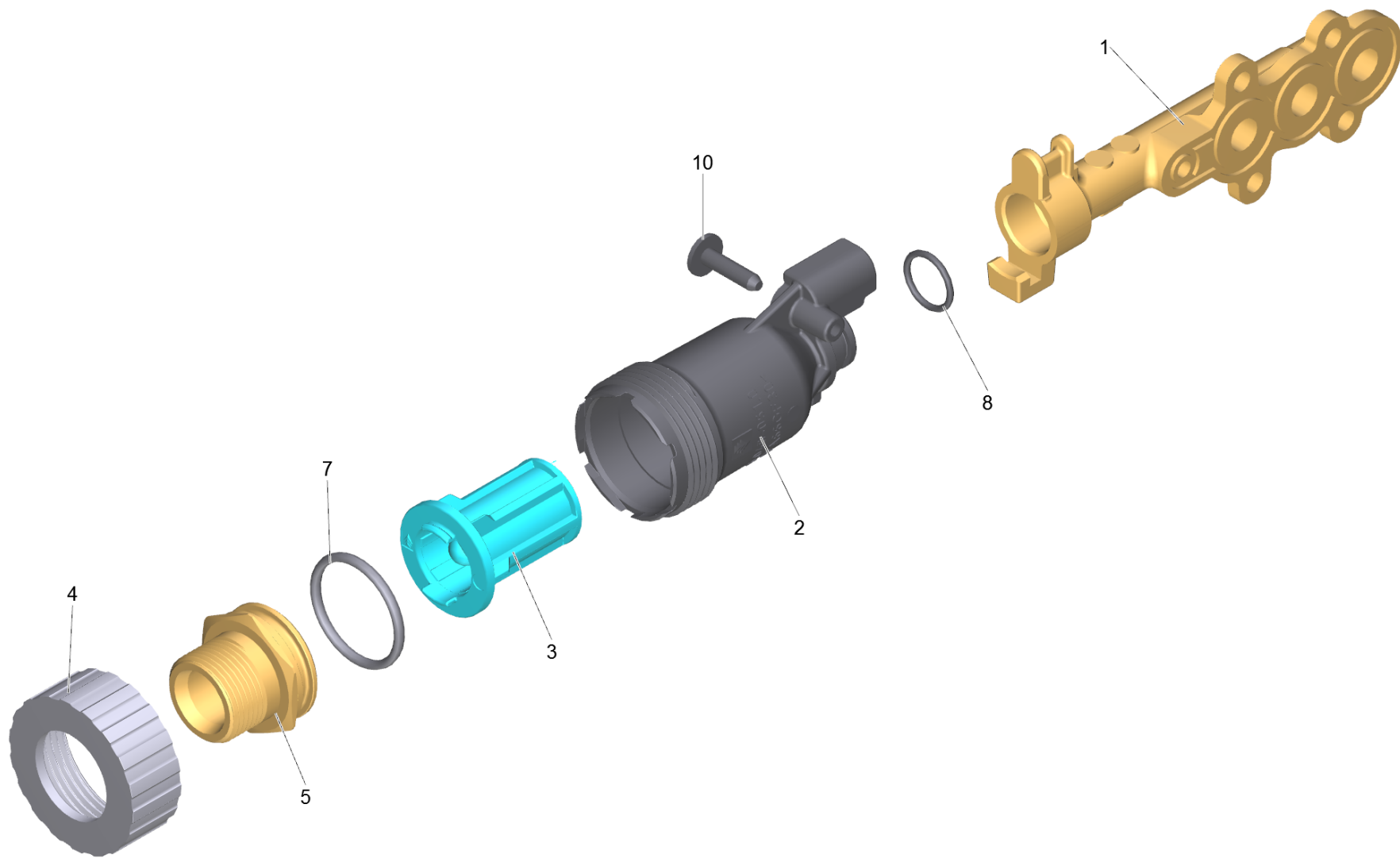
POS	Article no.	Description	Quantity	Unit
7	4.624-301.3	Control piston complete for replacement	1.000	ST
20	5.550-017.3	Cylinder head for replacement HD-M Servo	1.000	ST
30	6.365-526.0	Grooved ring 18x26x5.4	3.000	ST
28	6.362-984.0	O-Ring d. 3 x 1,5 NBR 80	1.000	ST
4	4.580-033.3	Overflow valve complete for replacement	1.000	ST
27	5.443-024.3	Plug for replacement	1.000	ST
15	5.365-033.3	Profile gasket for replacement	1.000	ST
41	7.306-090.0	Screw M6x16 -8.8-R3R (In6Rd)	4.000	ST
29	5.363-245.3	Seal control piston for replacement	1.000	ST
16	4.100-640.0	Set valve Servo	1.000	ST
1	2.884-512.0	Valve (3 Stueck)	2.000	ST
21	4.580-594.0	Valve complete	1.000	ST
13	4.580-030.3	Valve pressure reduction for replacement	1.000	ST
10	4.483-001.0	Valve screw	5.000	ST
9	5.583-177.0	Valve screw M20x1	2.000	ST
3		Water intake complete	1.000	ST



1 Valve (3 Stueck) (2.884-512.0)

---

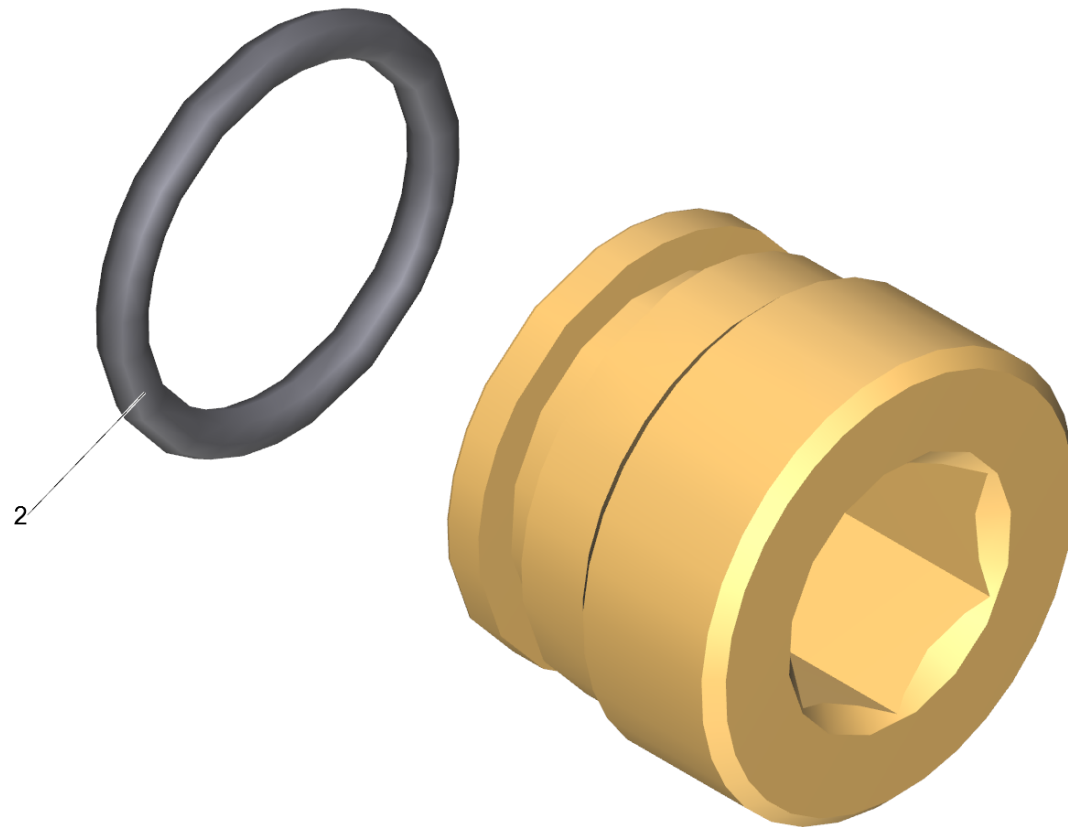
<b>POS</b>	<b>Article no.</b>	<b>Description</b>	<b>Quantity</b>	<b>Unit</b>
5	6.363-003.0	O-Ring seal 13,0 X 2,0-NBR 90	1.000	ST



### 3 Water intake complete

---

<b>POS</b>	<b>Article no.</b>	<b>Description</b>	<b>Quantity</b>	<b>Unit</b>
5	5.064-517.0	Connection piece water intake G 3/4 A	1.000	ST
3	5.731-059.0	Filter cartridge with cone (mesh 100)	1.000	ST
4	5.064-465.0	Nut water intake	1.000	ST
8	6.362-481.0	O-Ring seal 14,0 x 2,0 NBR 80	1.000	ST
7	6.363-437.0	O-Ring seal 30x3	1.000	ST
10	6.303-125.0	Screw 5x20-Sonder In6Rd+Spitze	1.000	ST
1	5.064-496.3	Suction cover for replacement	1.000	ST
2	5.045-051.0	Water intake straight	1.000	ST

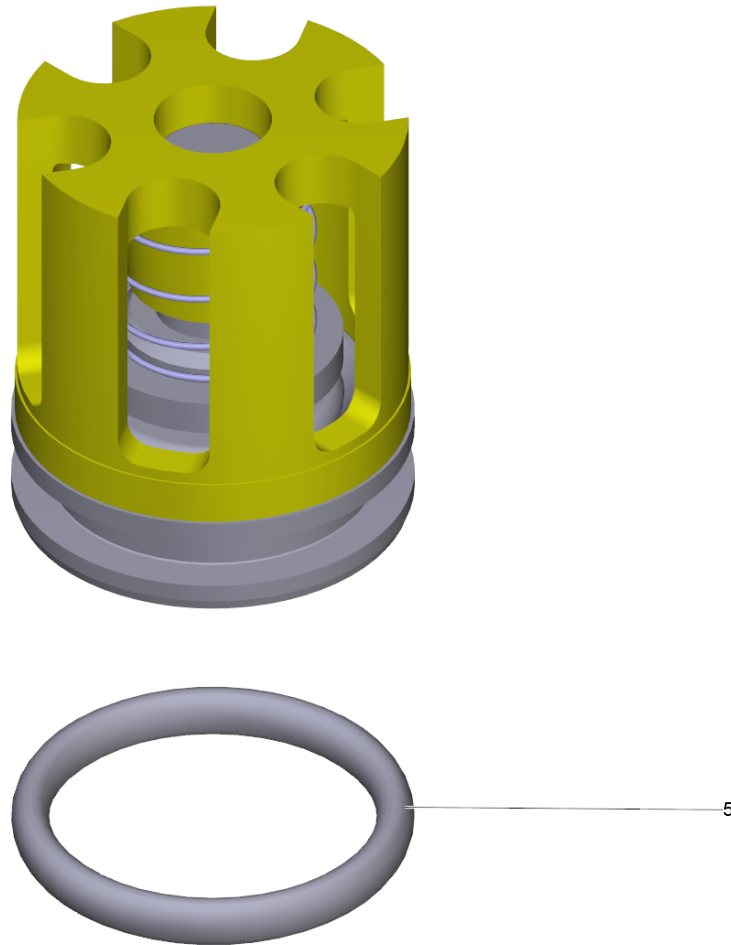


10 Valve screw (4.483-001.0)

---

POS	Article no.	Description	Quantity	Unit
2	6.362-481.0	O-Ring seal 14,0 x 2,0 NBR 80	1.000	ST





21 Valve complete (4.580-594.0)

---

<b>POS</b>	<b>Article no.</b>	<b>Description</b>	<b>Quantity</b>	<b>Unit</b>
5	6.362-381.0	O-Ring seal 13x2 - NBR 70	1.000	ST

## 60 Cable 1,5x220-SW

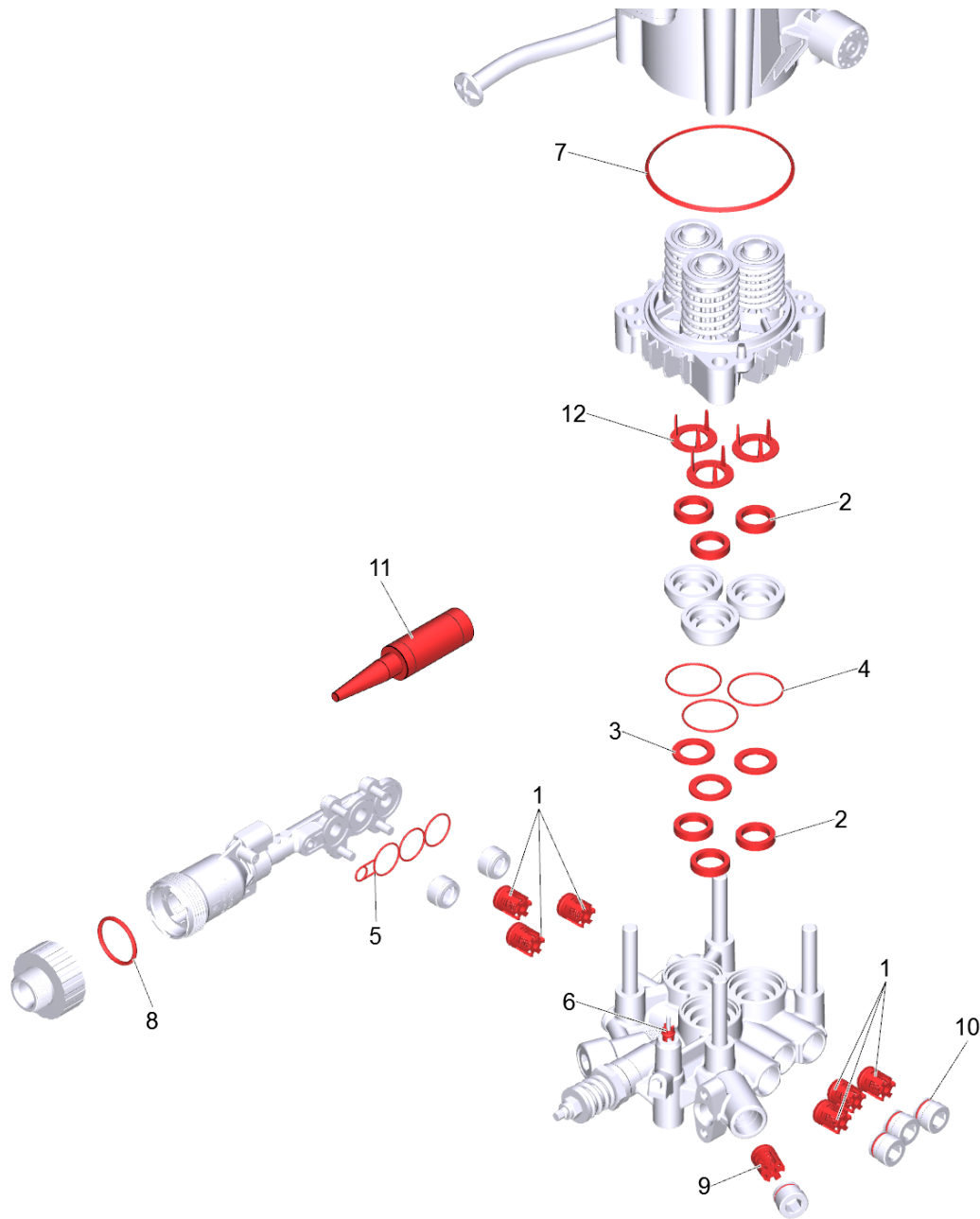
---

<b>POS</b>	<b>Article no.</b>	<b>Description</b>	<b>Quantity</b>	<b>Unit</b>
1	6.641-027.0	Cable 1x1,5mm <sup>2</sup> SW/BK	220.000	M
3	6.649-023.0	Receptacles for tabs 6,3-1,5	1.000	ST
2	6.641-953.0	Wire end protection 1,5mm <sup>2</sup>	1.000	ST

## 61 Cable 1,5x250-SW

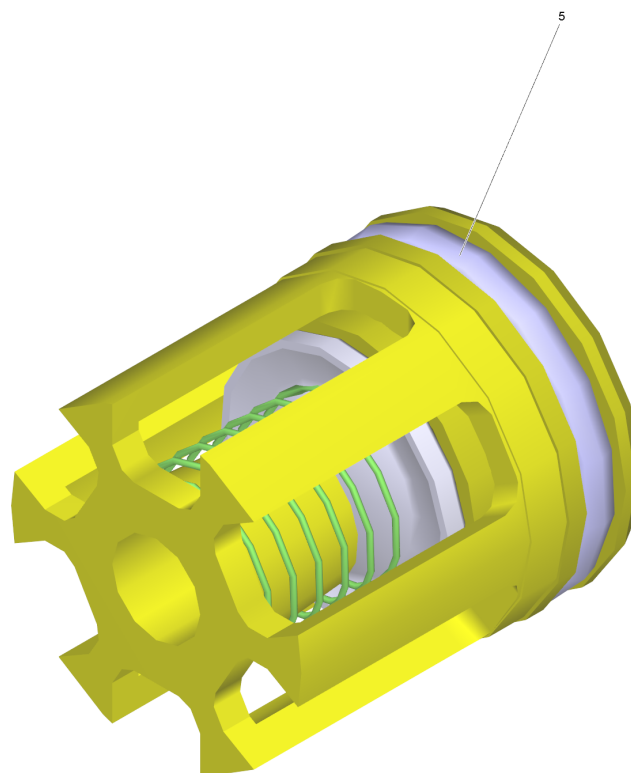
---

<b>POS</b>	<b>Article no.</b>	<b>Description</b>	<b>Quantity</b>	<b>Unit</b>
1	6.641-027.0	Cable 1x1,5mm <sup>2</sup> SW/BK	250.000	M
3	6.649-026.0	Receptacles for tabs 6,3-1,5	1.000	ST
2	6.641-953.0	Wire end protection 1,5mm <sup>2</sup>	1.000	ST



900 Pump set HD-M (2.883-074.0)

POS	Article no.	Description	Quantity	Unit
2	6.365-526.0	Grooved ring 18x26x5.4	6.000	ST
10	6.362-481.0	O-Ring seal 14,0 x 2,0 NBR 80	5.000	ST
8	6.363-437.0	O-Ring seal 30x3	1.000	ST
4	6.362-406.0	O-Ring seal 33,05X 1,78-NBR 70	3.000	ST
7	6.362-963.0	O-Ring seal 88,57X 2,62	1.000	ST
5	5.365-033.3	Profile gasket for replacement	1.000	ST
6	5.363-245.3	Seal control piston for replacement	1.000	ST
11	6.288-072.0	Silicon grease	1.000	ST
12	5.116-019.3	Supporting disk for replacement D18	3.000	ST
1	2.884-512.0	Valve (3 Stueck)	2.000	ST
9	4.580-594.0	Valve complete	1.000	ST
3	5.115-431.0	Washer	3.000	ST

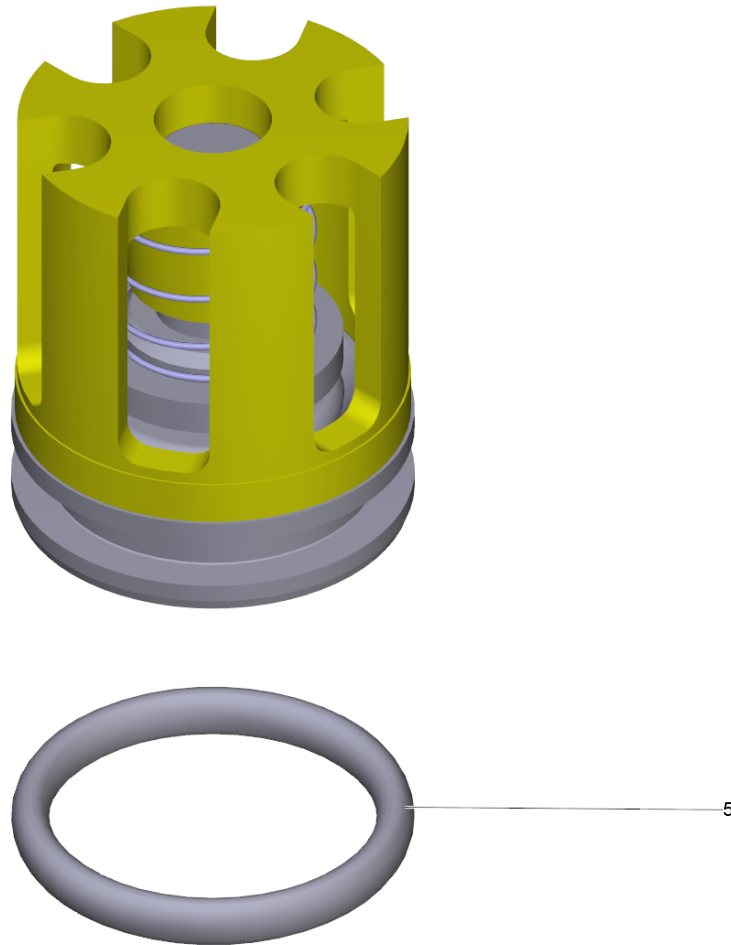


1 Valve (3 Stueck) (2.884-512.0)

---

<b>POS</b>	<b>Article no.</b>	<b>Description</b>	<b>Quantity</b>	<b>Unit</b>
5	6.363-003.0	O-Ring seal 13,0 X 2,0-NBR 90	1.000	ST

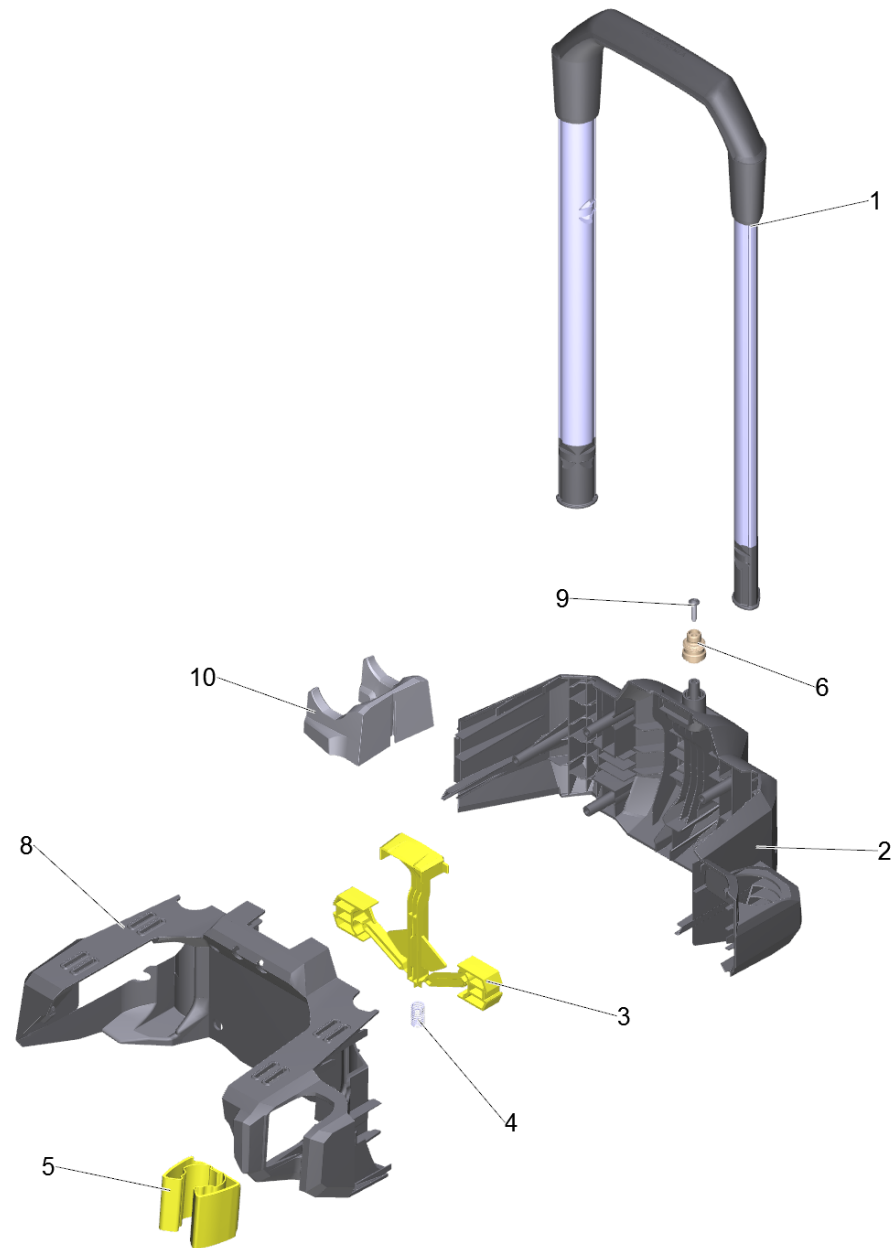




9 Valve complete (4.580-594.0)

---

<b>POS</b>	<b>Article no.</b>	<b>Description</b>	<b>Quantity</b>	<b>Unit</b>
5	6.362-381.0	O-Ring seal 13x2 - NBR 70	1.000	ST



### 33 Module shearing shackle complete HD-M

---

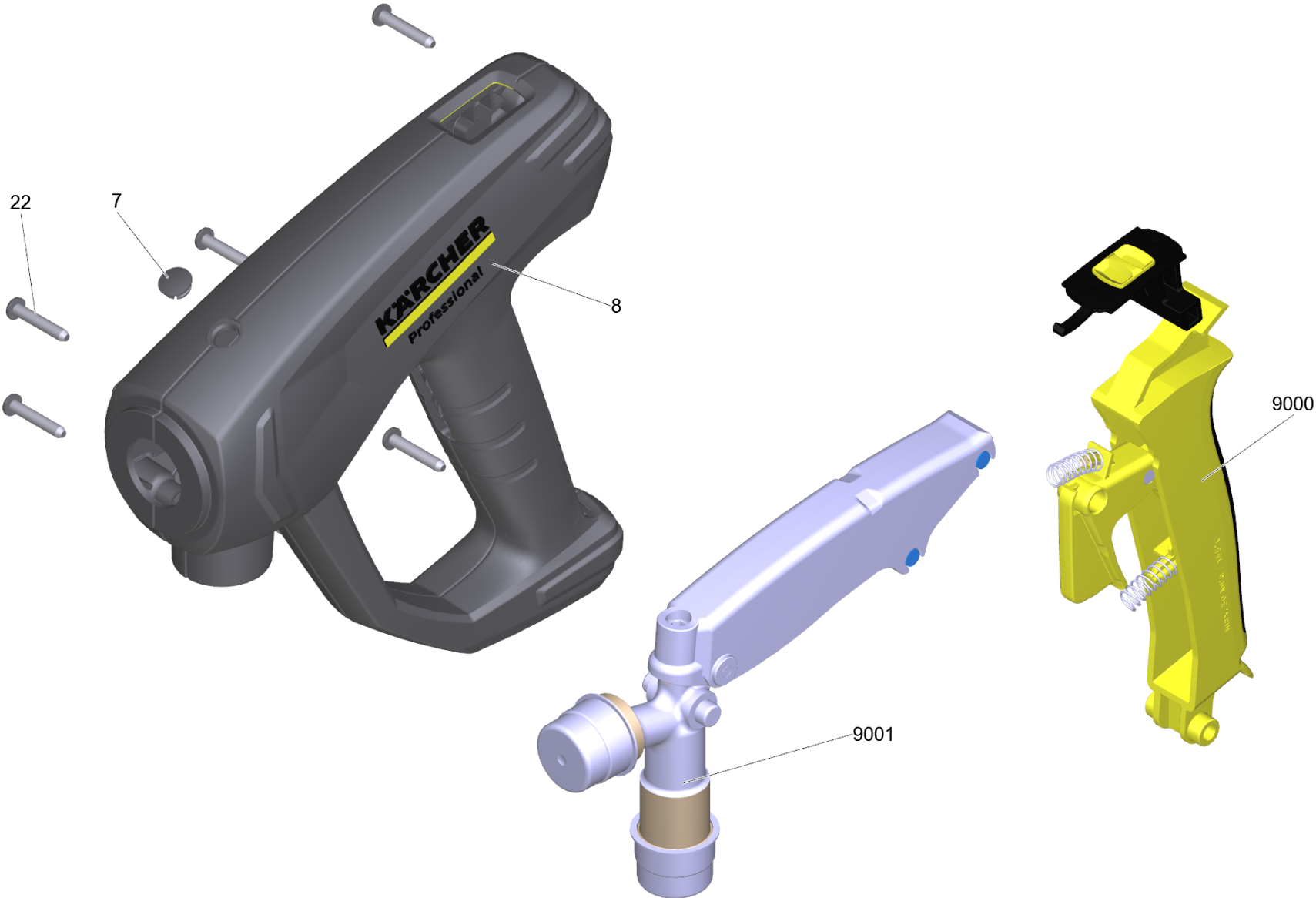
<b>POS</b>	<b>Article no.</b>	<b>Description</b>	<b>Quantity</b>	<b>Unit</b>
1	4.034-028.3	Handhold complete for replacement HD-M	1.000	ST
4	5.332-001.0	Helical spring	1.000	ST
8	5.034-153.3	Holder front for replacement	1.000	ST
5	5.645-938.0	Holder jet pipe	1.000	ST
2	5.034-154.3	Holder rear for replacement	1.000	ST
10	5.034-230.3	Homebase foam nozzle for replacement HD-	1.000	ST
3	5.034-170.0	Locking part	1.000	ST
6	5.646-035.0	Retainer accessories Messing	1.000	ST
9	7.303-108.0	Screw 5x20 -10.9-R2R (In6Rd)	1.000	ST

21 EASY!Force Advanced (4.118-005.0)

---

POS	Description	Quantity	Unit
1	Hand trigger gun TR EH 155	1.000	ST

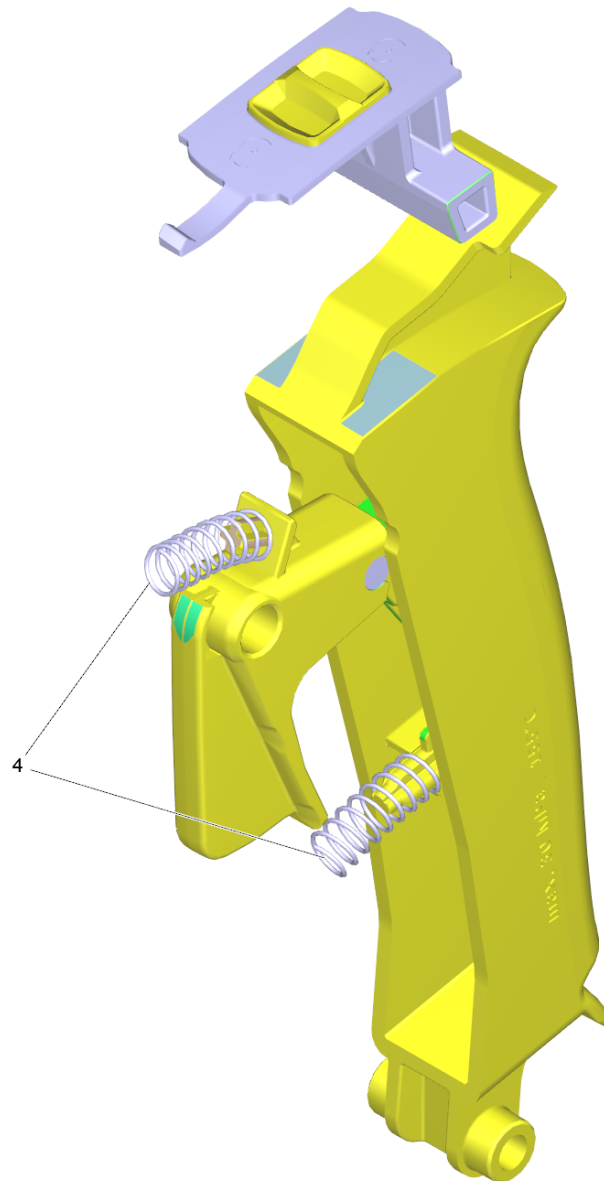
---



## 1 Hand trigger gun TR EH 155

---

<b>POS</b>	<b>Article no.</b>	<b>Description</b>	<b>Quantity</b>	<b>Unit</b>
8	5.321-136.3	Handhold few EH 155 only for replacement	1.000	ST
9001	4.427-014.0	Manifold TR EH 155 nur fuer Ersatz	1.000	ST
7	5.132-001.0	Plug	1.000	ST
22	7.303-096.0	Screw 4x22 -ST-10.9-R2R (IN6RD)	7.000	ST
9000	2.885-483.0	Spare part set lever	1.000	ST





9000 Spare part set lever (2.885-483.0)

---

<b>POS</b>	<b>Article no.</b>	<b>Description</b>	<b>Quantity</b>	<b>Unit</b>
4	5.332-032.0	Helical spring	2.000	ST

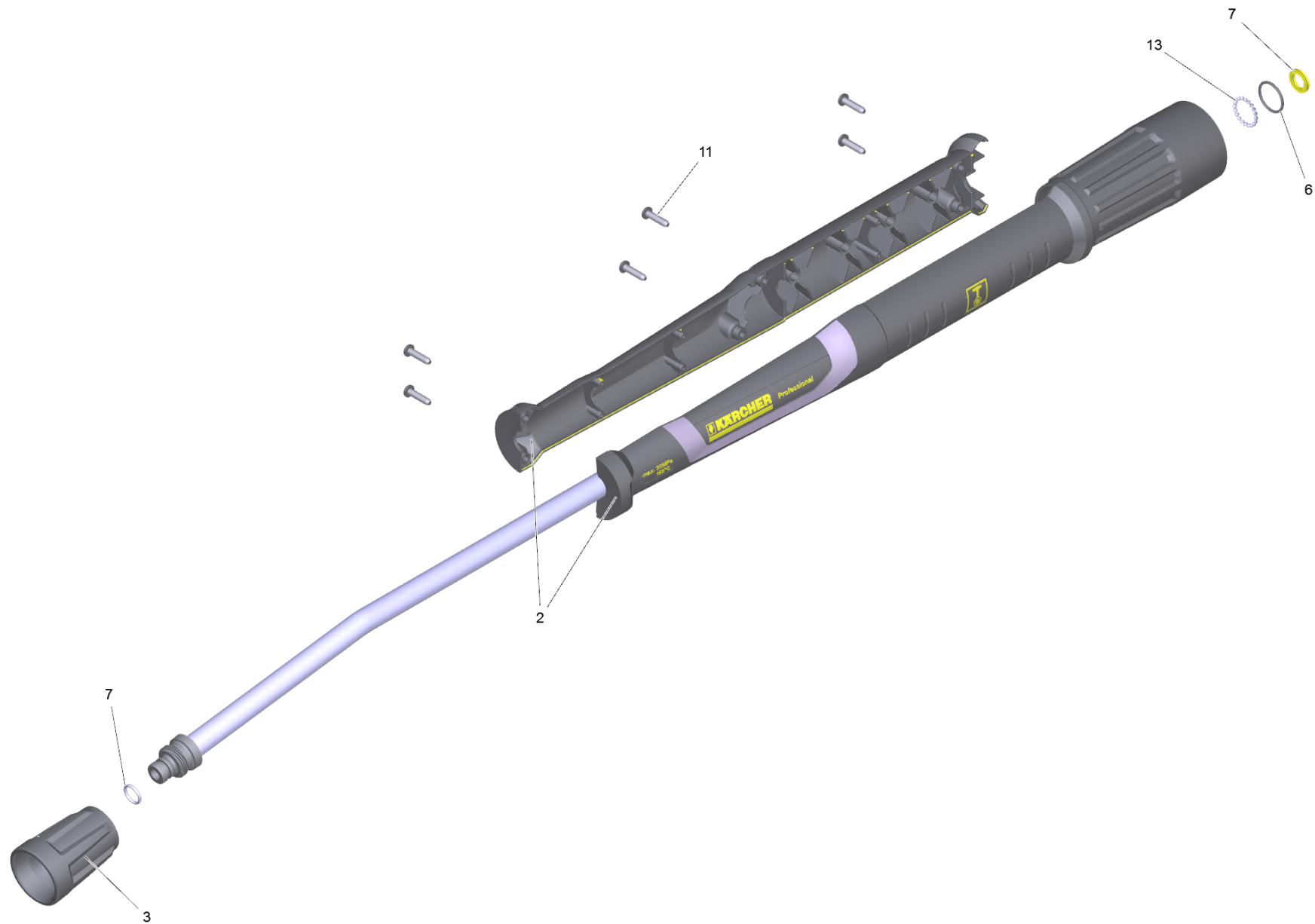
---

22 Jet pipe TR 840 mm (4.112-006.0)

---

<b>POS</b>	<b>Description</b>	<b>Quantity</b>	<b>Unit</b>
1	Jet pipe TR 840 mm	1.000	ST

---



## 1 Jet pipe TR 840 mm

---

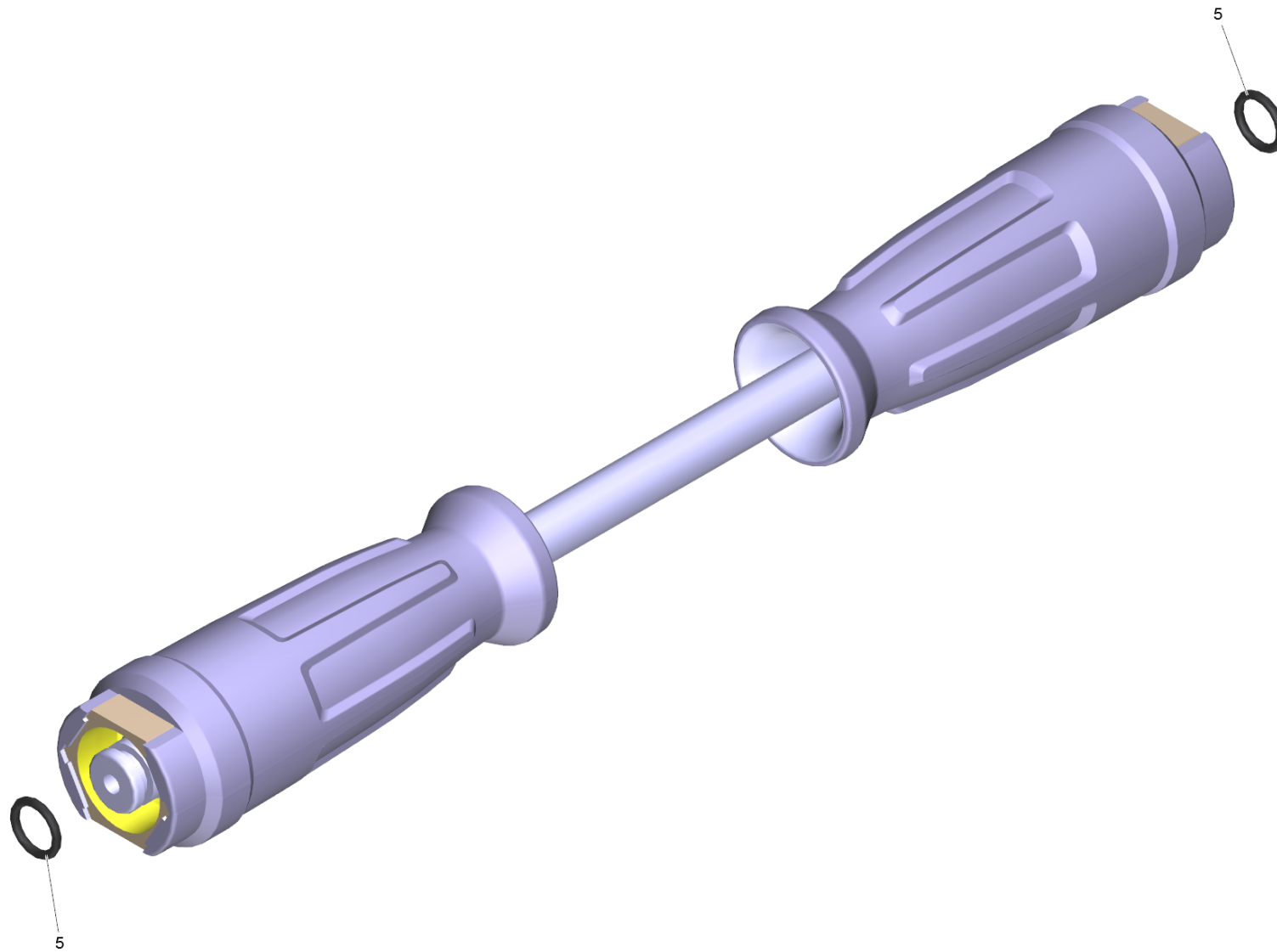
<b>POS</b>	<b>Article no.</b>	<b>Description</b>	<b>Quantity</b>	<b>Unit</b>
2	5.321-018.3	Handle bowl jet pipe only for replacemen	1.000	ST
6	6.362-067.0	O-Ring seal 16,1x1,6	1.000	ST
3	4.112-011.0	Protection part TR only for replacement	1.000	ST
11	7.303-129.0	Screw 4x16 -10.9-R2R (K-In6Rd)	6.000	ST
7	2.880-001.0	Spare part set seals TR	1.000	ST
13	7.401-915.0	Sphere 2,5 G20 -1.4034 DIN 5401	20.000	ST

23 Hose assembly TR drehbar DN6 30MPa 10m (6.110-056.0)

---

POS	Description	Quantity	Unit
1	Hose assembly TR rotatable DN6 30MPa 10m	1.000	ST

---

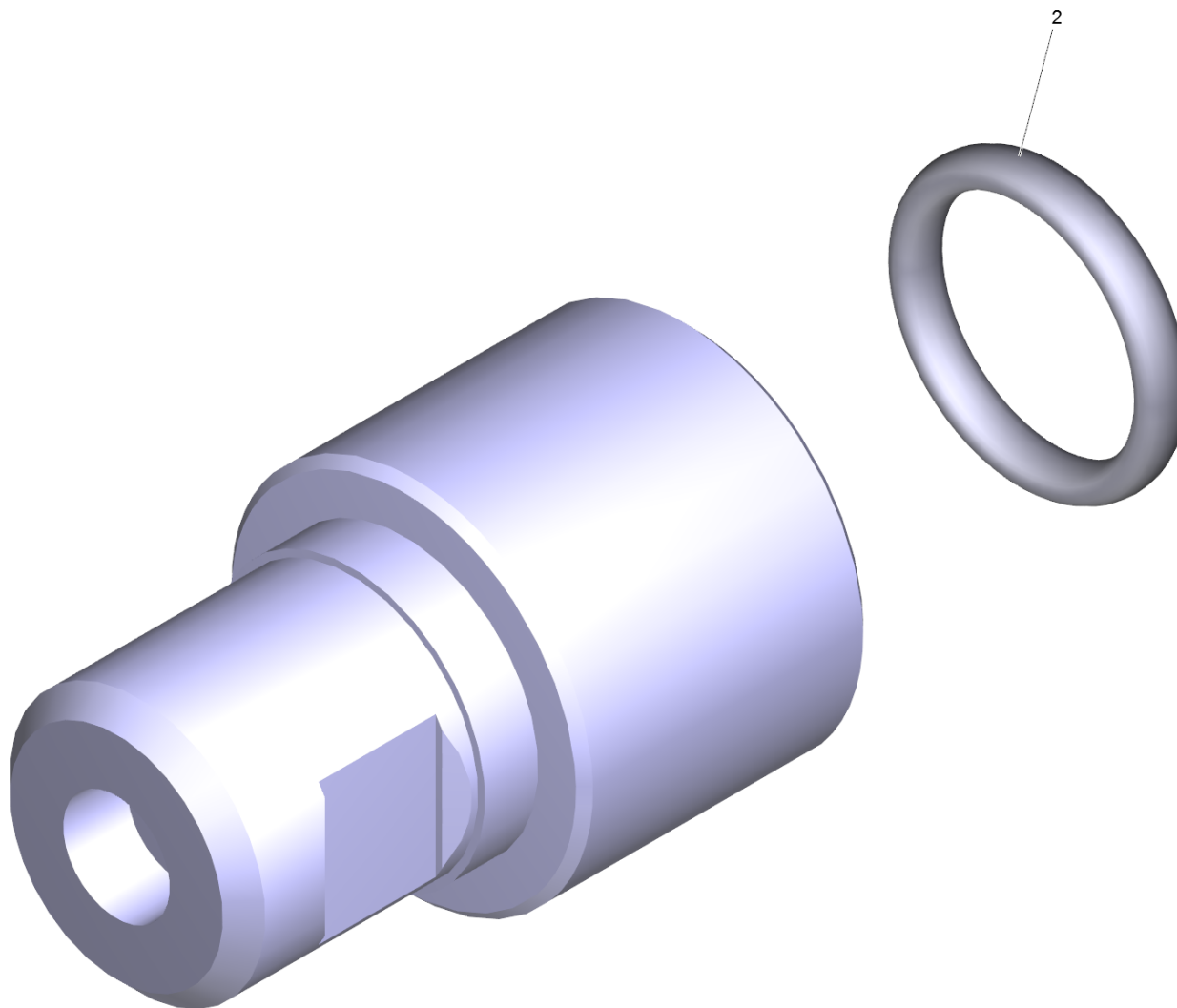


1 Hose assembly TR rotatable DN6 30MPa 10m

---

<b>POS</b>	<b>Article no.</b>	<b>Description</b>	<b>Quantity</b>	<b>Unit</b>
5	2.880-154.0	O-Ring kit	1.000	ST

---





25 Power nozzle TR 25042 (2.113-007.0)

---

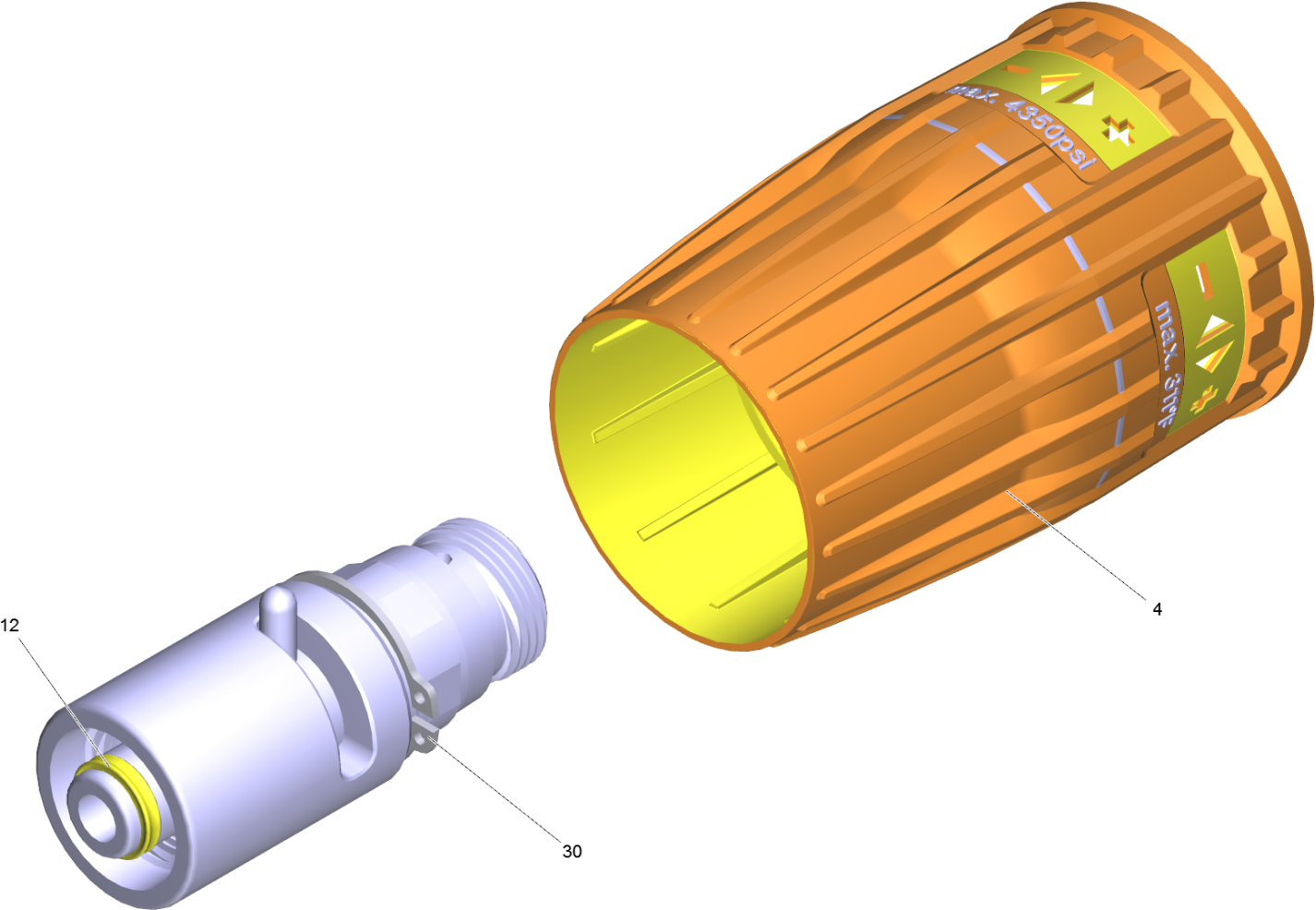
<b>POS</b>	<b>Article no.</b>	<b>Description</b>	<b>Quantity</b>	<b>Unit</b>
2	2.880-001.0	Spare part set seals TR	1.000	ST

27 Rotary controller TR 270L (4.118-007.0)

---

<b>POS</b>	<b>Description</b>	<b>Quantity</b>	<b>Unit</b>
1	Rotary controller TR 270L	1.000	ST

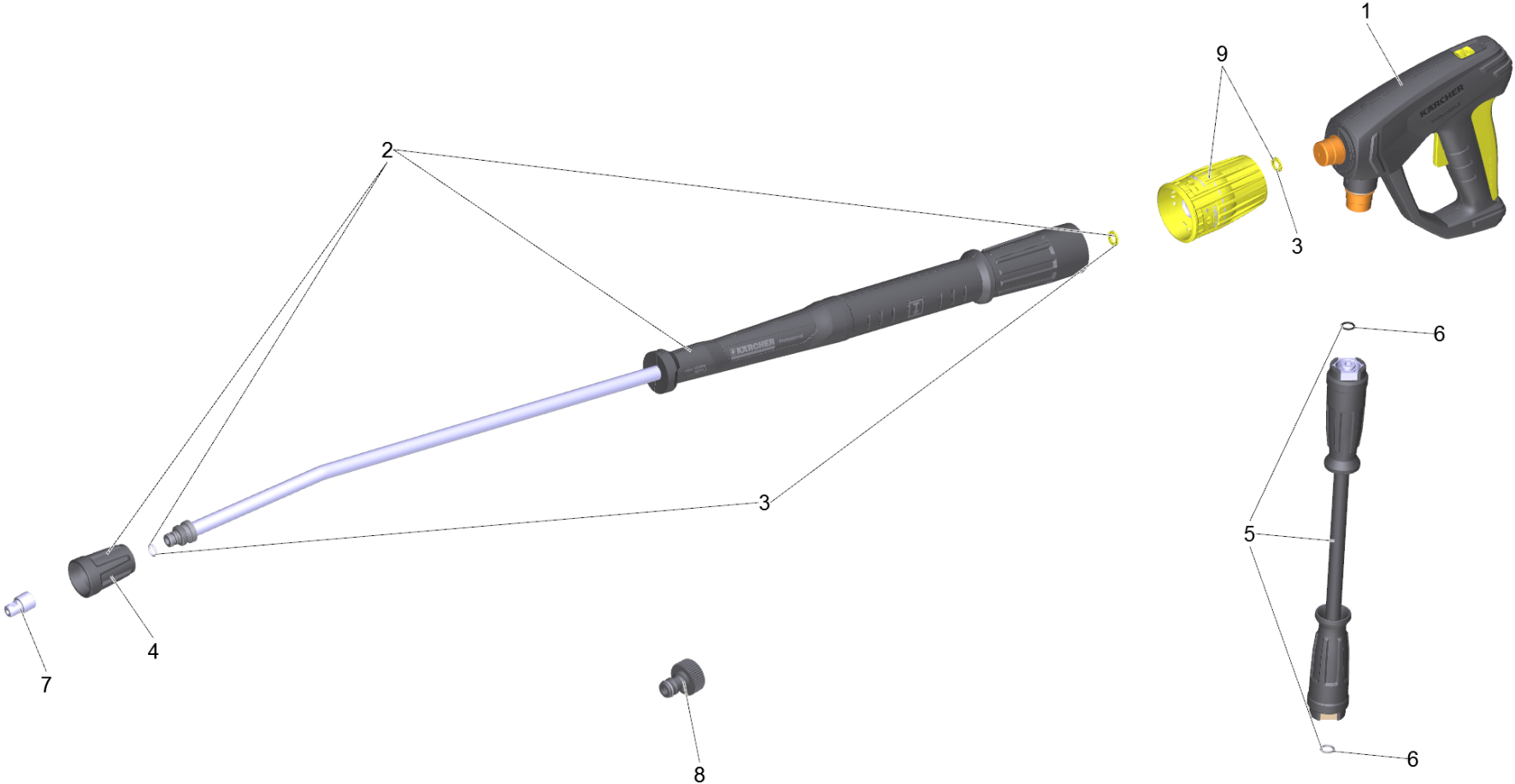
---



## 1 Rotary controller TR 270L

---

<b>POS</b>	<b>Article no.</b>	<b>Description</b>	<b>Quantity</b>	<b>Unit</b>
4	5.321-364.3	Handhold rotary controller	1.000	ST
30	7.343-069.0	Locking ring 25x1,2-1.4122 DIN 471	1.000	ST
12	2.880-001.0	Spare part set seals TR	1.000	ST



## 10 Short spare parts list

---

<b>POS</b>	<b>Article no.</b>	<b>Description</b>	<b>Quantity</b>	<b>Unit</b>
8	6.465-031.0	Connection 3/4	1.000	ST
1	4.118-005.0	EASY!Force Advanced	1.000	ST
5	6.110-056.0	Hose assembly TR drehbar DN6 30MPa 10m	1.000	ST
2	4.112-006.0	Jet pipe TR 840 mm	1.000	ST
6	2.880-154.0	O-Ring kit	1.000	ST
7	2.113-007.0	Power nozzle TR 25042	1.000	ST
4	4.112-011.0	Protection part TR only for replacement	1.000	ST
9	4.118-007.0	Rotary controller TR 270L	1.000	ST
3	2.880-001.0	Spare part set seals TR	1.000	ST