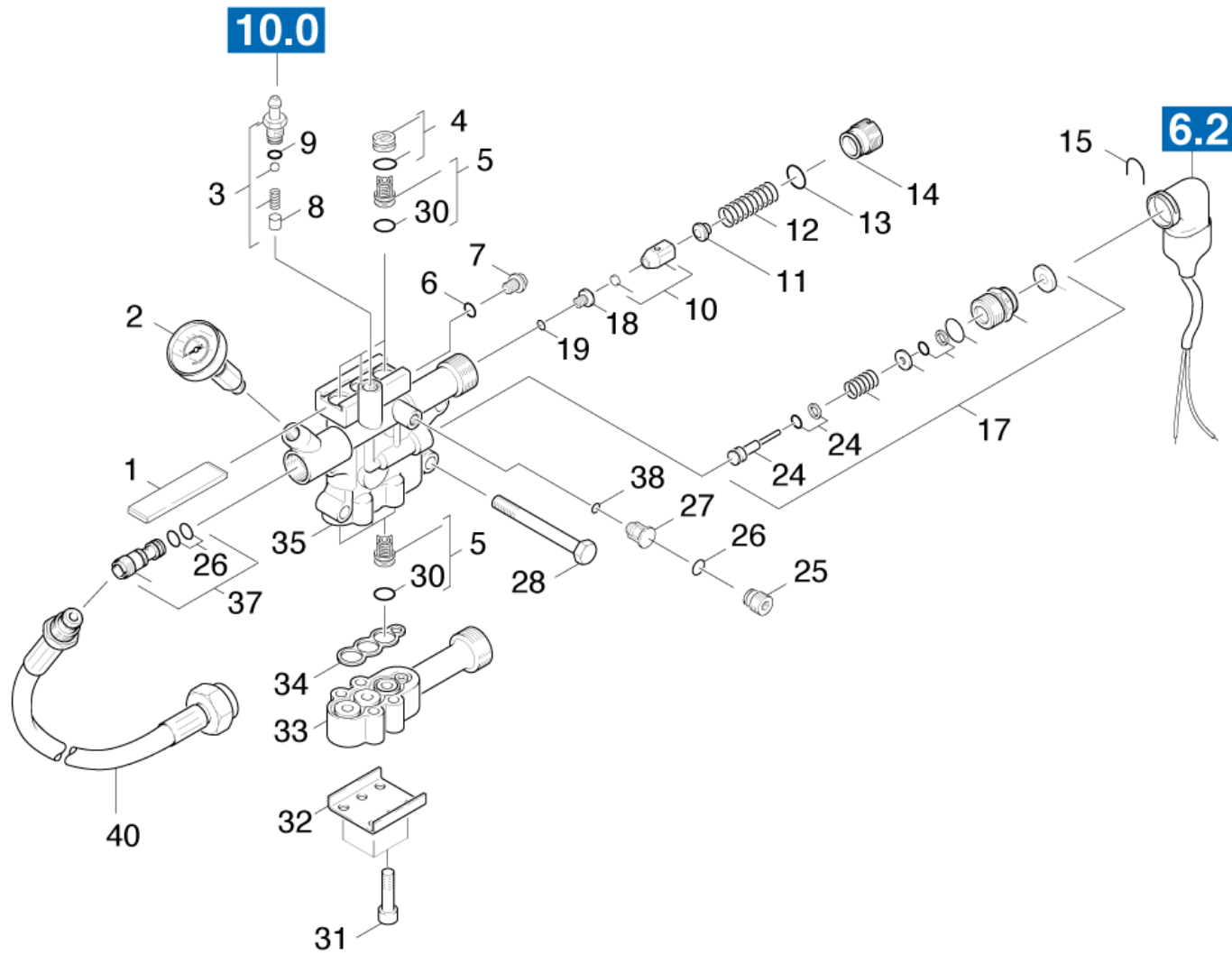


22 Cylinder head

Professional \ High pressure cleaner hotwater \ Electric motor \ HDS 551 C \ Spare parts list HDS 551 C \ Pump set \ Cylinder head



22 Cylinder head

Professional \ High pressure cleaner hotwater \ Electric motor \ HDS 551 C \ Spare parts list HDS 551 C \ Pump set \ Cylinder head

KÄRCHER

POS	Article no.	Description	Quantity	Unit
35	4.550-460.0	Cylinder head complete only for replacem	1.000	ST
28	7.306-047.0	Cylinder head screw M8x60 -8.8-A2E ISO4	4.000	ST
4	4.132-007.0	Drain plug only for replacement	3.000	ST
12	5.332-140.0	Helical spring	1.000	ST
40	6.390-382.0	High pressure hose	1.000	ST
37	4.769-032.0	Nozzle insert	1.000	ST
38	6.363-613.0	O-Ring seal 4 x 2 -NBR90	1.000	ST
6	6.362-113.0	O-Ring seal 6,0 x 2,0 NBR 70	1.000	ST
19	6.362-703.0	O-Ring seal 6,0x1,5-NBR 70	1.000	ST
9	6.362-451.0	O-Ring seal 8,0 x 1,0	1.000	ST
26	6.362-384.0	O-Ring seal 9x1,5 - NBR 70	3.000	ST
30	6.362-077.0	O-Ring seal 10 x 2,2 NBR 70	6.000	ST
13	6.362-169.0	O-Ring seal 12,0 X 2,0	1.000	ST
24	4.553-204.0	Piston complete only for replacement	1.000	ST
1	5.003-062.0	Plate	1.000	ST
32	5.003-068.0	Plate suction cover	1.000	ST
2	6.421-306.0	Pressure gauge 0-30 MPa	1.000	ST
34	5.365-182.0	Profile gasket	1.000	ST
15	5.034-494.0	Retaining bracket	1.000	ST
31	7.306-129.0	Screw M6x40 -8.8-R3R (In6Rd)	4.000	ST
25	5.411-152.0	Screw plug	1.000	ST
7	5.411-113.0	Screw plug	1.000	ST
8	5.110-714.0	Sleeve	1.000	ST
3	2.883-862.0	Spare part set chemistry	1.000	ST
17	2.884-165.0	Spare part set control piston	1.000	ST
100	2.883-890.0	Spare part set pump HDS 551 C	1.000	ST
33	5.063-616.0	Suction cover	1.000	ST
5	2.884-916.0	Valve (3 Stück)	2.000	ST
10	4.582-019.0	Valve disc complete	1.000	ST
11	5.584-060.0	Valve pin	1.000	ST
27	4.584-022.0	Valve pin complete	1.000	ST
14	5.583-096.0	Valve screw	1.000	ST
18	5.581-231.0	Valve seat	1.000	ST