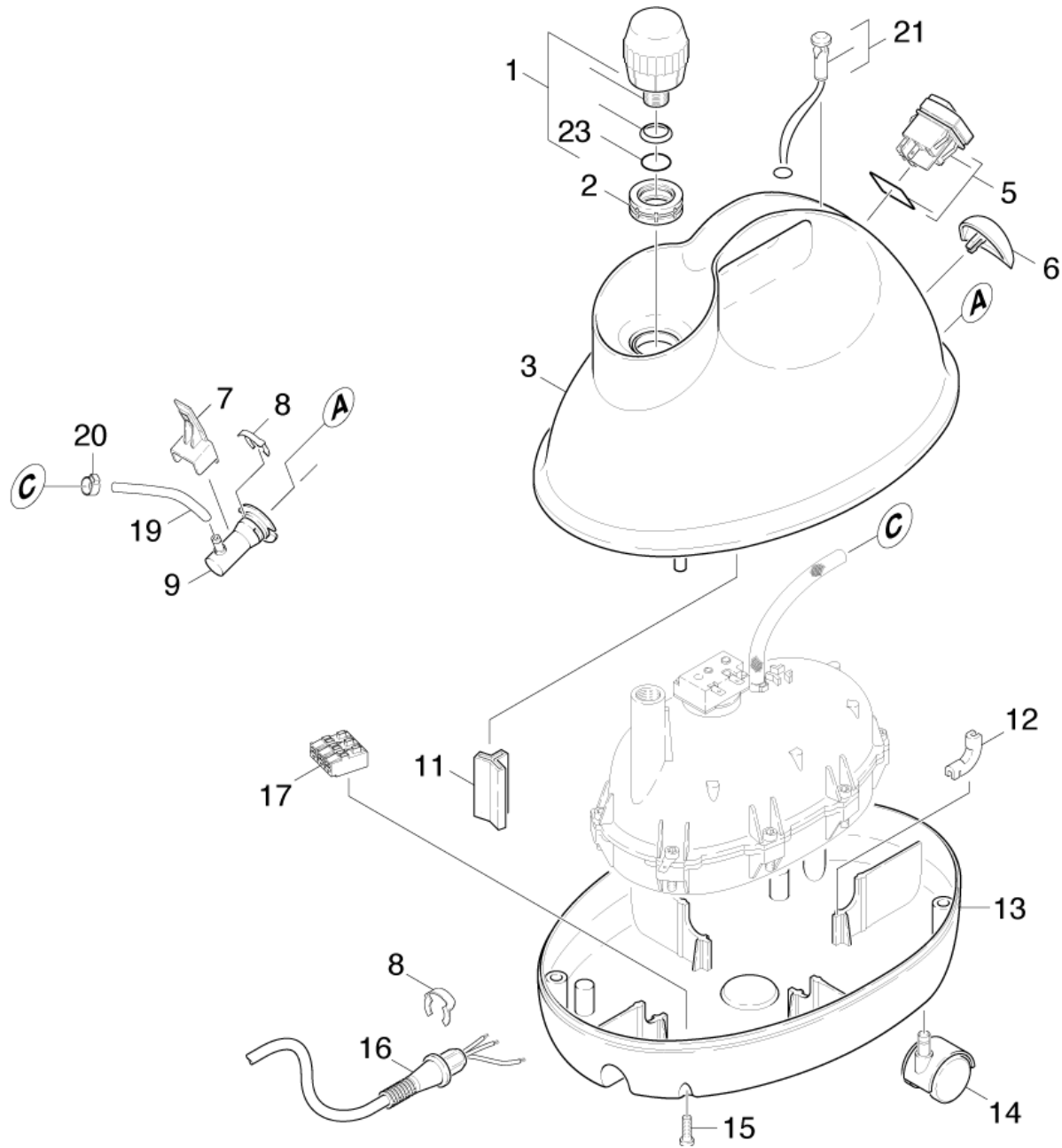


10 Housing

Home and Garden \ Steamer \ K 1102 *EU \ Spare parts list K 1102 \ Housing



10 Housing

Home and Garden \ Steamer \ K 1102 *EU \ Spare parts list K 1102 \ Housing



POS	Article no.	Description	Quantity	Unit	valid from	Remark	Foot note text
1	4.590-083.0	Safety lock	1	PC			
2	5.363-424.0	Seal	1	PC			
21	7.777-999.0	Stockpiling discontinued	1	PC			
20	6.390-408.0	Hose clip continuously variable 9,5	1	PC			
19	6.389-862.0	Hose silicon DN4	1	m			
17	6.643-555.0	Terminal clamp	1	PC			
16	7.777-999.0	Stockpiling discontinued	1	PC			
		Item text1: / 1.204-103.0 / -118.0 / -153.0					
		Item text2: / -158.0 / -203.0 / -253.0 / -256.0					
16	7.777-999.0	Stockpiling discontinued	1	PC			
		Item text1: / 1.204-104.0 / -117.0 / -154.0					
		Item text2: / -204.0 / -254.0 / -257.0					
16	7.777-999.0	Stockpiling discontinued	1	PC			
		Item text1: / 1.204-102.0 / -152.0 / -202.0					
		Item text2: / -252.0					
16	6.647-498.0	Cable with plug *EU	1	PC			
		Item text1: / 1.204-101.0 / -151.0 / -201.0					
		Item text2: / -211.0 / -251.0					
13	7.777-999.0	Stockpiling discontinued	1	PC			BLACK
13	7.777-999.0	Stockpiling discontinued	1	PC			GREY
23	6.363-277.0	O-Ring seal yellow	1	PC			
11	7.777-999.0	Stockpiling discontinued	1	PC			
9	4.031-049.0	Plug socket	1	PC			BLACK
9	4.031-029.0	Plug socket	1	PC			GREY
7	5.481-234.0	Lever notch	1	PC			
6	5.326-022.0	Push button RAL 9005	1	PC			BLACK
6	5.326-013.0	Push button	1	PC			GREY
5	6.631-989.0	Switch	1	PC			
3	7.777-999.0	Stockpiling discontinued	1	PC		KORN	
		Item text1: / 1.204-151.0 / -152.0 / -153.0 / -154.0 / -158.0 / -251.0 / -252.0 / -253.0 / -254.0 / -256.0 / -257.0					
3	5.061-223.0	Top part housing PP	1	PC			YELLOW
3	5.060-887.0	Housing top part	1	PC	119798		GREY

10 Housing

Home and Garden \ Steamer \ K 1102 *EU \ Spare parts list K 1102 \ Housing



POS	Article no.	Description	Quantity	Unit	valid from	Remark	Foot note text
	Item text1: / 1.204-101.0 / -102.0 / -103.0 / -104.0 / -117.0 / -118.0 / -201.0 / -202.0 / -203.0 / -204.0 / -211.0						
8	6.343-170.0	Retaining clip	2	PC			
14	6.435-348.0	Castor	4	PC			
15	7.303-108.0	Screw 5x20 -10.9-R2R (In6Rd)	4	PC			
12	5.767-010.0	Rubber buffer	4	PC			