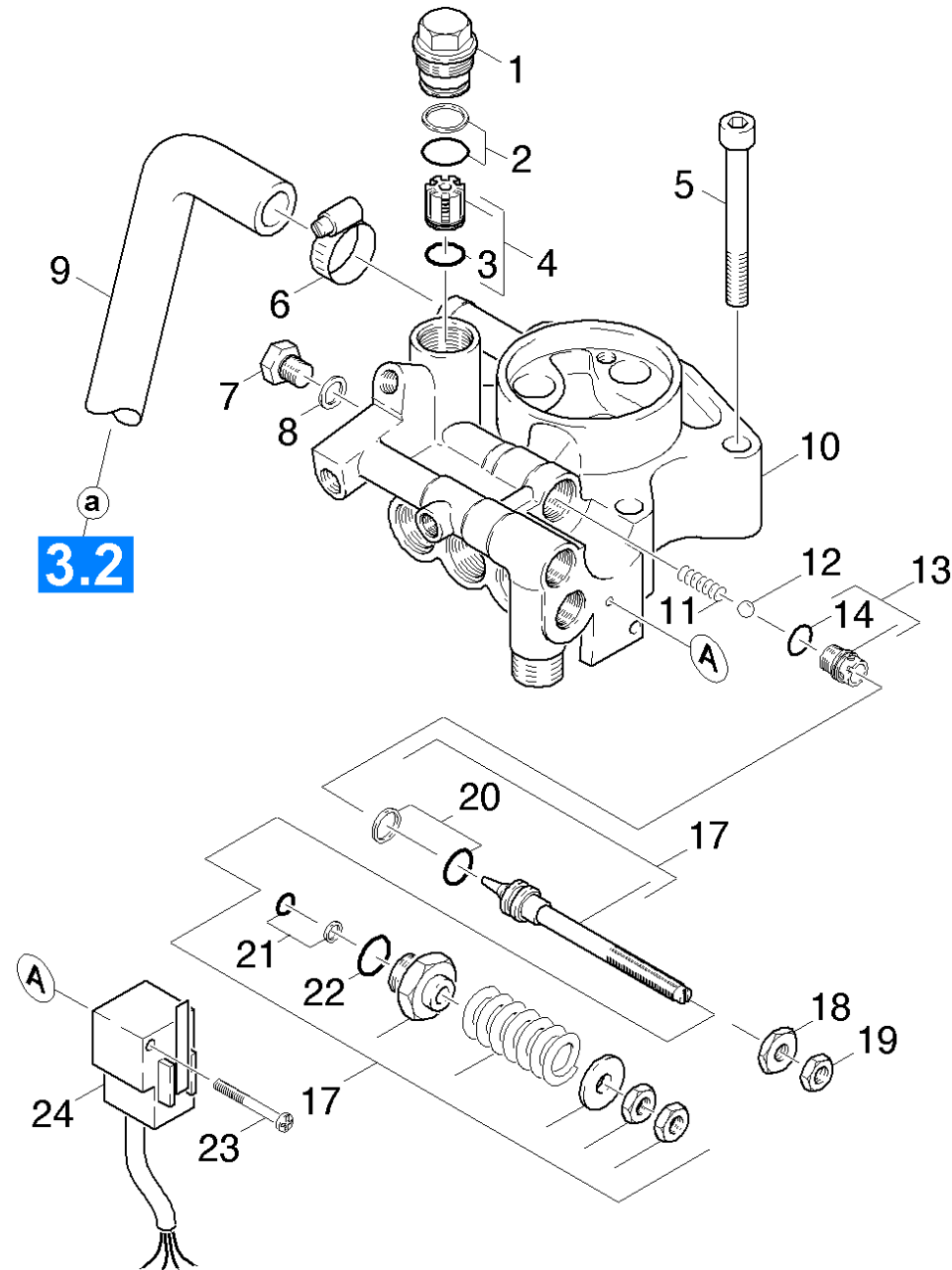


# 21 Cylinder head

Professional \ High pressure cleaner cold water \ Electric motor \ HD 1090 \*EU \ Spare parts list HD 1090 \* EUR \ Pump set \ Cylinder head



## 21 Cylinder head

Professional \ High pressure cleaner cold water \ Electric motor \ HD 1090 \*EU \ Spare parts list HD 1090 \* EUR \ Pump set \ Cylinder head

**KÄRCHER**

POS	Article no.	Description	Quantity	Unit
1	5.583-125.0	Valve screw	1	PC
2	6.362-500.0	O-Ring seal complete /1ST.-R.	1	PC
3	6.362-381.0	O-Ring seal 13x2 - NBR 70	1	PC
4	4.580-262.0	Valve complete	1	PC
5	7.306-430.0	Cylinder head screw M12x90- 10.9-A3K ISO 4762	4	PC
6	6.388-547.0	Hose clip	1	PC
7	5.411-117.0	Screw plug	1	PC
8	7.362-004.0	Joint ring A12x15,5 -Cu DIN 7603	1	PC
9	5.442-833.0	Piece of tube	1	PC
10	5.550-187.0	Cylinder head	1	PC
11	5.332-999.0	Helical spring	1	PC
12	7.401-907.0	Sphere 3/8 G200-1.4301 DIN 5401	1	PC
13	4.581-019.0	Valve seat	1	PC
14	6.362-858.0	O-Ring seal 11,0 X 1,5	1	PC
17	4.591-028.0	Overflow valve	1	PC
18	5.311-177.0	Hexagon nut	1	PC
19	7.311-004.0	Hexagon nut M8 -8-A3E ISO 4032	1	PC
20	6.362-575.0	O-Ring seal 12,42 KOMPL	1	PC
21	6.362-365.0	O-Ring seal complete 1ST.-R.- 7,65X 1,7	1	PC
22	6.362-445.0	O-Ring seal 16,0 X 2,4-NBR 80	1	PC
23	7.306-320.0	Oval head screw M 5x40-A2-70 ISO 7045	1	PC
24	6.635-323.0	2-Phases-Switch	1	PC
100	2.883-447.0	PUMP SET	1	PC