

Spare parts list

(1.071-927.0) HDS 13/20-4 S *EU-I

Table of contents

HDS 13/20-4 S *EU-I (1.071-927.0)	6
HDS 13/20-4 S *EU-I TV 01.01.2018 (2.002-089.0)	8
3 Set mounting parts	19
1 Set water connection 1 " (2.640-492.0)	21
5 Motor pump	23
1 Thrust guidance complete	25
999 Piston complete only for replacement (4.553-280.0)	27
10 Cylinder head complete	29
1 Valve complete (4.580-594.0)	34
2 Valve (3 Stueck) (2.884-512.0)	36
4 Valve complete (4.580-611.0)	38
35 Cylinder head complete (4.550-887.0)	40
65 Piston complete (4.553-287.0)	42
901 Piston complete only for replacement (4.553-197.0)	44
12 Housing blower complete (4.605-106.0)	46
35 Conversion kit blower wheel (2.641-430.0)	48
901 Spare part set pump (2.885-033.0)	50
1 Valve (3 Stueck) (2.884-512.0)	52
3 Valve complete (4.580-594.0)	54
4 Valve complete (4.580-611.0)	56
903 Motor complete only for replacement (4.623-921.0)	58
6 Piece of tube	60
7 Boiler	61
1 Vessel mantel complete (4.652-143.0)	64
2 Bottom pressure boiler (4.655-048.0)	66
3 Heating coil (4.680-144.0)	68
901 Conversion kit ignition electrode (2.638-974.0)	69
902 Cover plate pressure boiler (4.654-218.0)	71
8 Electric control box	73
3 Control panel kpl.	75
14 Device cover complete only for replaceme (4.066-426.0)	77
1 Device cover complete basalt grey RAL 70	78
17 Hose float	80
3 Piece of tube	82
18 Hose water connection 2-Rad (4.440-792.0)	83
2 Piece of tube	85
24 Hose float	86
28 Valve cleaning agents complete	88

Table of contents

30 Float valve	90
32 Cover pressure boiler only for replaceme (4.654-288.0)	92
35 Filter complete (4.730-167.3)	94
1 Filter complete (4.730-167.0)	95
45 Safety system	97
901 Safety valve complete replacement (4.580-709.0)	99
46 Jet pipe TR 1050 mm (4.112-000.0)	101
1 Jet pipe TR 1050 mm (4.112-012.0)	102
69 Cover fuel complete (4.064-013.0)	104
70 Cover complete Chem 1	106
74 Cover complete Chem 2	108
141 Power nozzle TR 25070 (2.113-028.0)	110
200 Fuel pump only for replacement (4.473-032.0)	112
901 EASY!Force Advanced (4.118-005.0)	114
9000 Spare part set lever (2.885-483.0)	116
902 Rotary controller TR 700L (4.118-009.0)	118
1 Rotary controller TR 700L	119
904 Hose assembly TR DN8 40MPa 10m (6.110-038.0)	121
1 Hose assembly TR rotatable DN8 40MPa 10m	122
997 Add-on kit pressure accumulator (2.641-803.0)	124
Spare parts list ABS Druckspeicher (5.970-996.0)	125
10 ABS pressure accumulator	126
997 Conversion kit holder large Kessel (2.882-692.0)	128
6 Spare parts list reversion kit holder gr (5.953-328.0)	129
10 Conversion kit holder boiler	130
Spare parts list HDS 13/20-4S *EU-I (5.973-970.0)	132
3 Set mounting parts	144
1 Set water connection 1 " (2.640-492.0)	146
5 Motor pump	148
1 Thrust guidance complete	150
999 Piston complete only for replacement (4.553-280.0)	152
10 Cylinder head complete	154
1 Valve complete (4.580-594.0)	159
2 Valve (3 Stueck) (2.884-512.0)	161
4 Valve complete (4.580-611.0)	163
35 Cylinder head complete (4.550-887.0)	165
65 Piston complete (4.553-287.0)	167
901 Piston complete only for replacement (4.553-197.0)	169


Table of contents

12 Housing blower complete (4.605-106.0)	171
35 Conversion kit blower wheel (2.641-430.0)	173
901 Spare part set pump (2.885-033.0)	175
1 Valve (3 Stueck) (2.884-512.0)	177
3 Valve complete (4.580-594.0)	179
4 Valve complete (4.580-611.0)	181
903 Motor complete only for replacement (4.623-921.0)	183
6 Piece of tube	185
7 Boiler	186
1 Vessel mantel complete (4.652-143.0)	189
2 Bottom pressure boiler (4.655-048.0)	191
3 Heating coil (4.680-144.0)	193
901 Conversion kit ignition electrode (2.638-974.0)	194
902 Cover plate pressure boiler (4.654-218.0)	196
8 Electric control box complete	198
3 Control panel complete	200
14 Device cover complete only for replaceme (4.066-426.0)	202
1 Device cover complete basalt grey RAL 70	203
17 Hose float	205
3 Piece of tube	207
18 Hose water connection 2-Rad (4.440-792.0)	208
2 Piece of tube	210
24 Hose float	211
28 Valve cleaning agents complete	213
30 Float valve	215
32 Cover pressure boiler only for replaceme (4.654-288.0)	217
35 Filter complete (4.730-167.3)	219
1 Filter complete (4.730-167.0)	220
45 Safety system	222
901 Safety valve complete replacement (4.580-709.0)	224
46 Jet pipe TR 1050 mm (4.112-000.0)	226
1 Jet pipe TR 1050 mm (4.112-012.0)	227
69 Cover fuel complete (4.064-013.0)	229
70 Cover complete Chem 1	231
74 Cover complete Chem 2	233
141 Power nozzle TR 25070 (2.113-028.0)	235
142 Steam nozzle TR 40100 (2.114-011.0)	237
200 Fuel pump only for replacement (4.473-032.0)	239


Table of contents

901 EASY!Force Advanced (4.118-005.0)	241
9000 Spare part set lever (2.885-483.0)	243
902 Rotary controller TR 700L (4.118-009.0)	245
1 Rotary controller TR 700L	246
904 Hose assembly TR DN8 40MPa 10m (6.110-038.0)	248
1 Hose assembly TR rotatable DN8 40MPa 10m	249
997 Add-on kit pressure accumulator (2.641-803.0)	251
Spare parts list ABS Druckspeicher (5.970-996.0)	252
10 ABS pressure accumulator	253
997 Conversion kit holder large Kessel (2.882-692.0)	255
6 Spare parts list reversion kit holder gr (5.953-328.0)	256
10 Conversion kit holder boiler	257

5.XXX-XXX.0

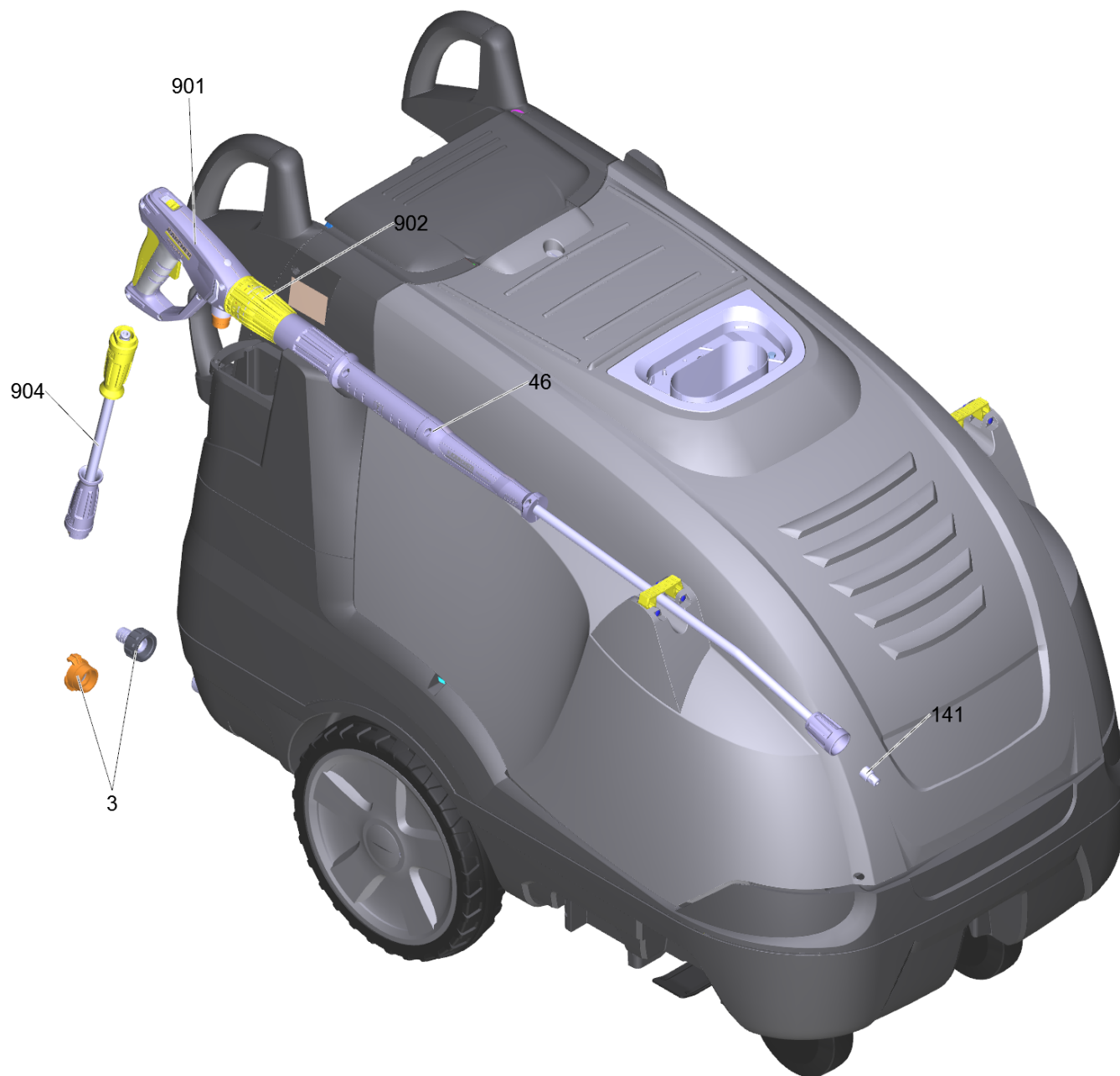
	KÄRCHER Made in Germany 1.XXX-XXX.0
HDS X/XX	
Year: <input type="text"/>	<input type="text"/>
S/N: <input type="text"/>	<input type="text"/>
<input type="text"/>	
Alfred Kärcher SE & Co. KG, P.O.Box 160, 71349 Winnenden, Germany	

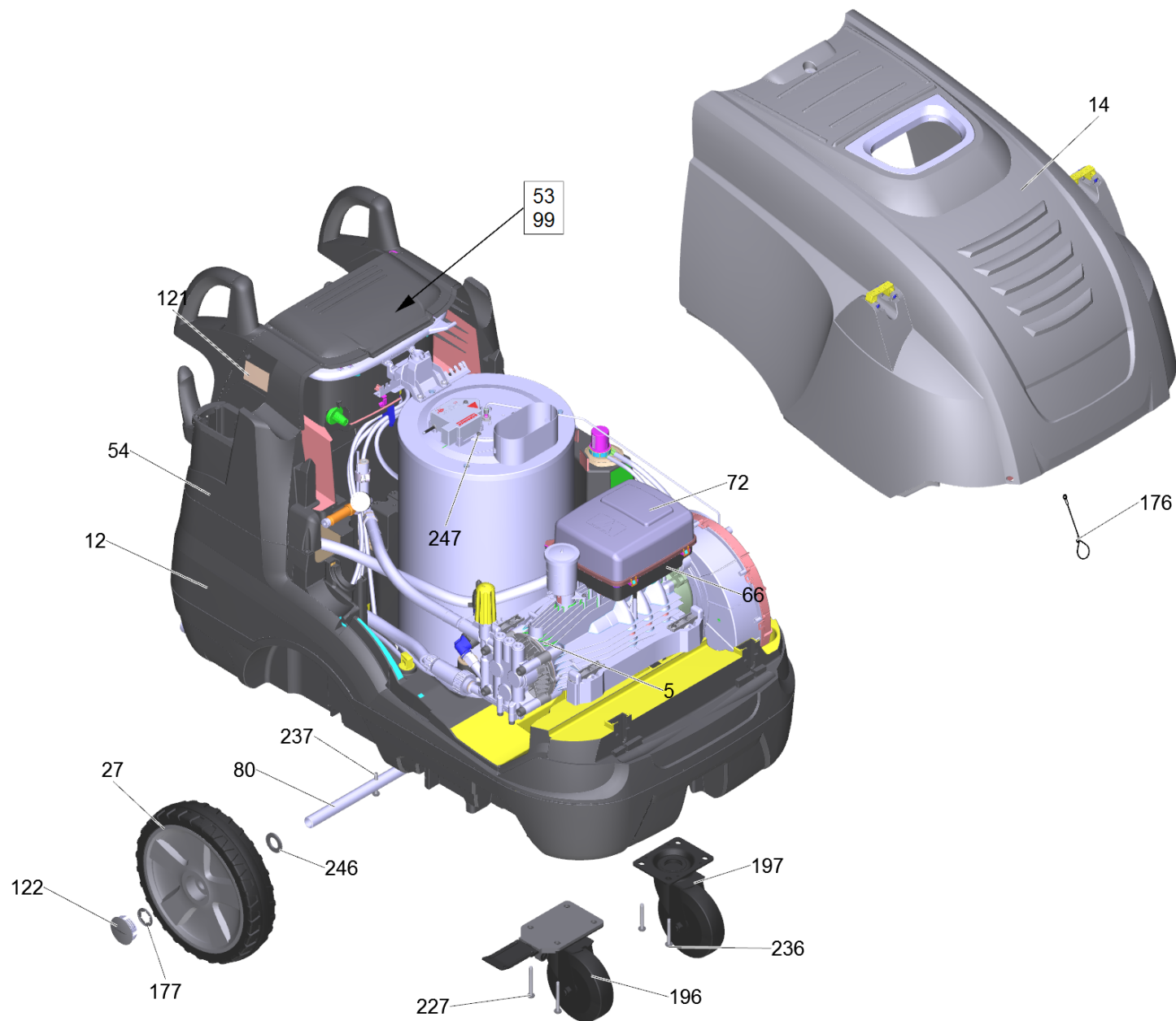
2.002-XXX.0

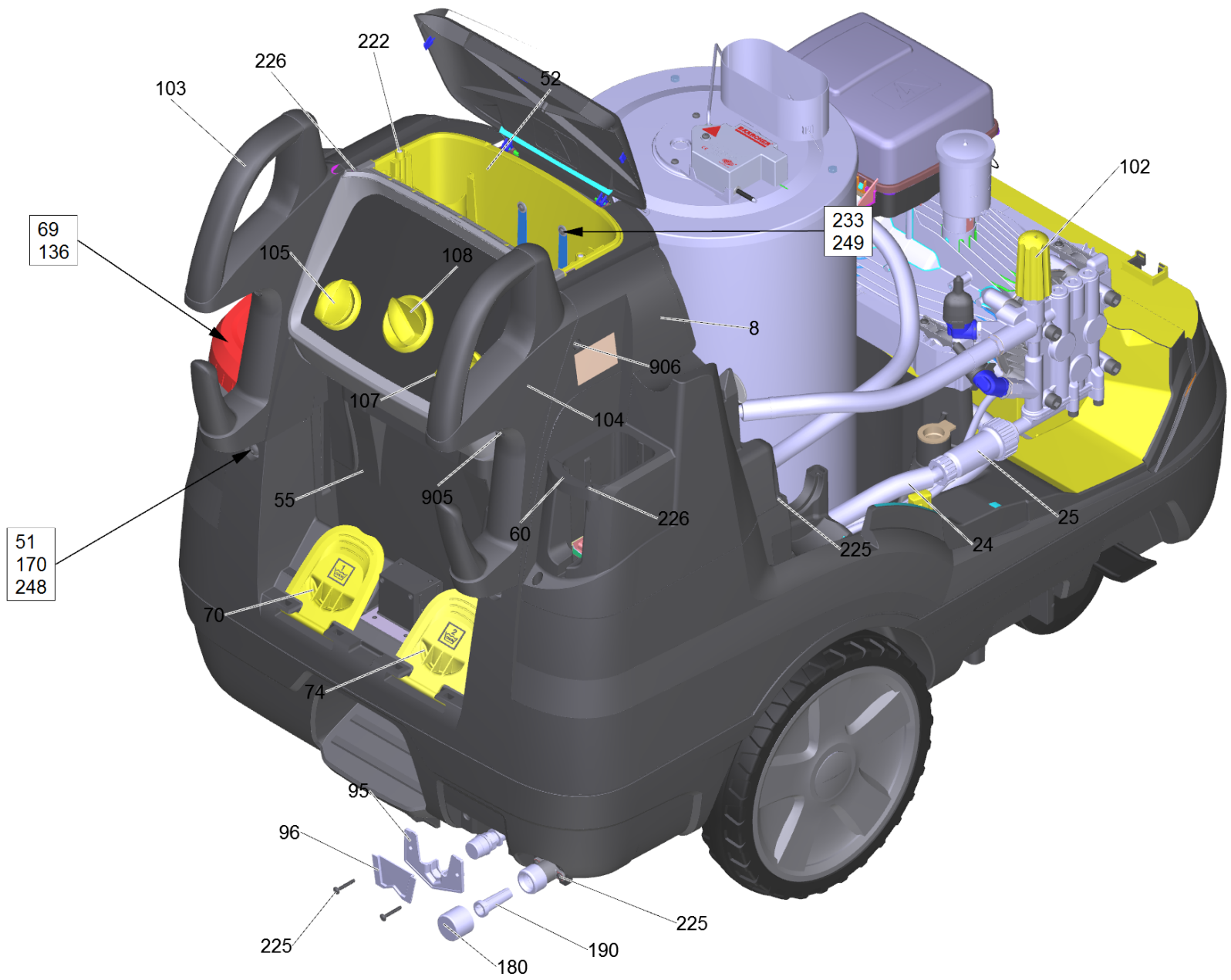
	KÄRCHER Made in Germany 1.XXX-XXX.0
HDS X/XX	
Year: <input type="text"/>	<input type="text"/>
S/N: <input type="text"/>	<input type="text"/>
<input type="text"/>	
Alfred Kärcher SE & Co. KG, P.O.Box 160, 71349 Winnenden, Germany	

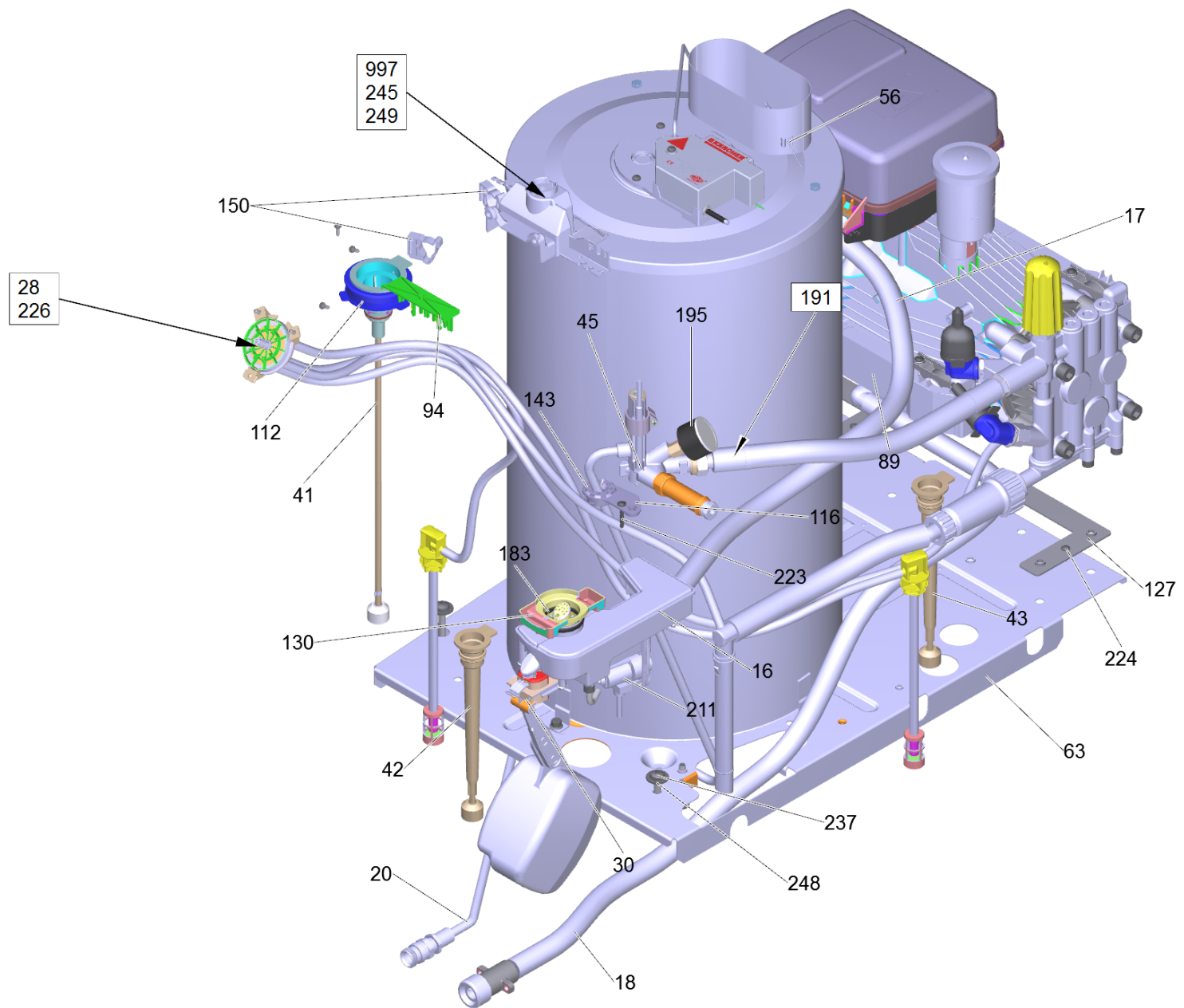
HDS 13/20-4 S *EU-I (1.071-927.0)

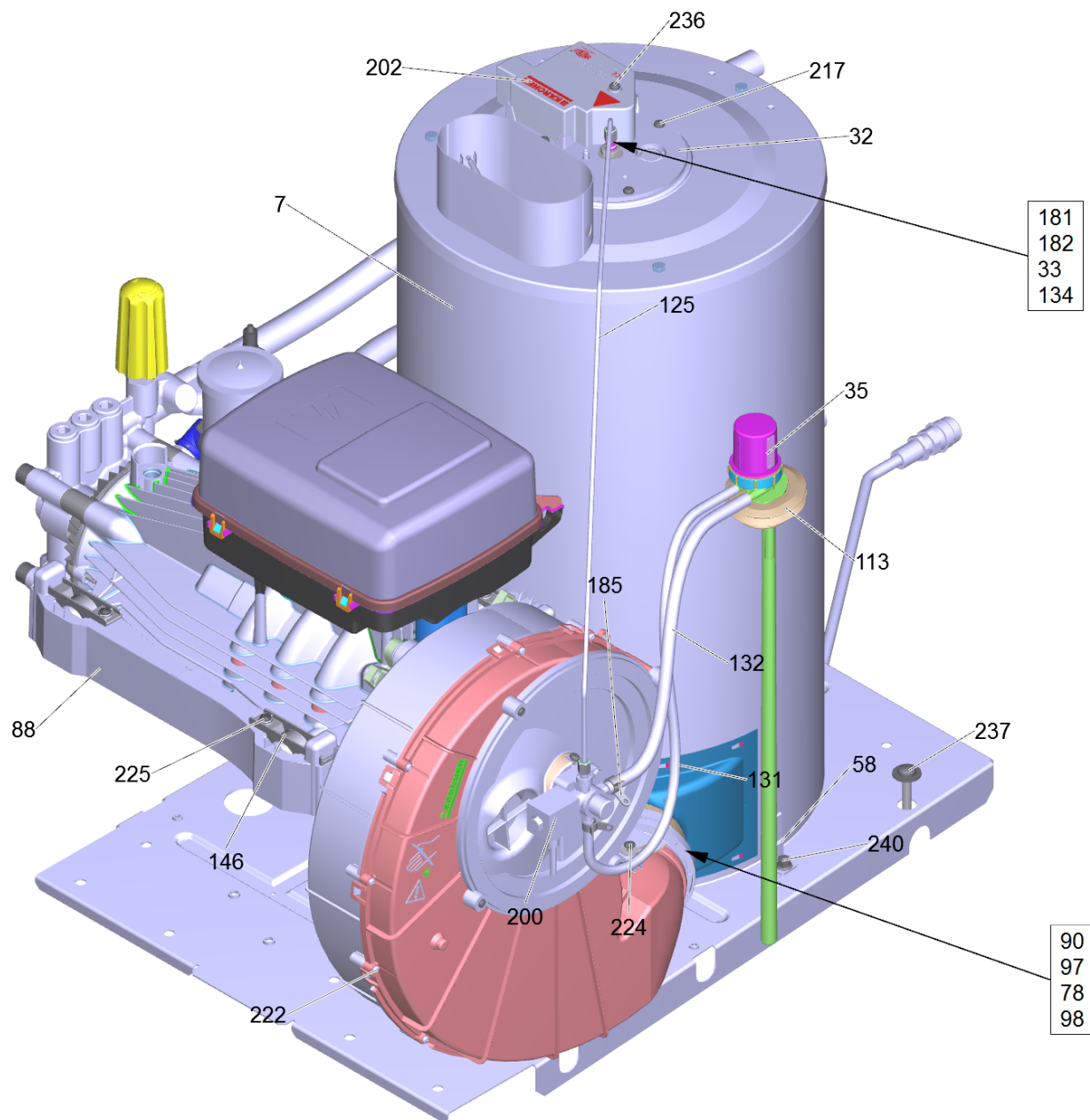
POS	Article no.	Description	Quantity	Unit
0	2.002-089.0	HDS 13/20-4 S *EU-I TV 01.01.2018	1.000	ST
0	5.973-970.0	Spare parts list HDS 13/20-4S *EU-I	1.000	ST

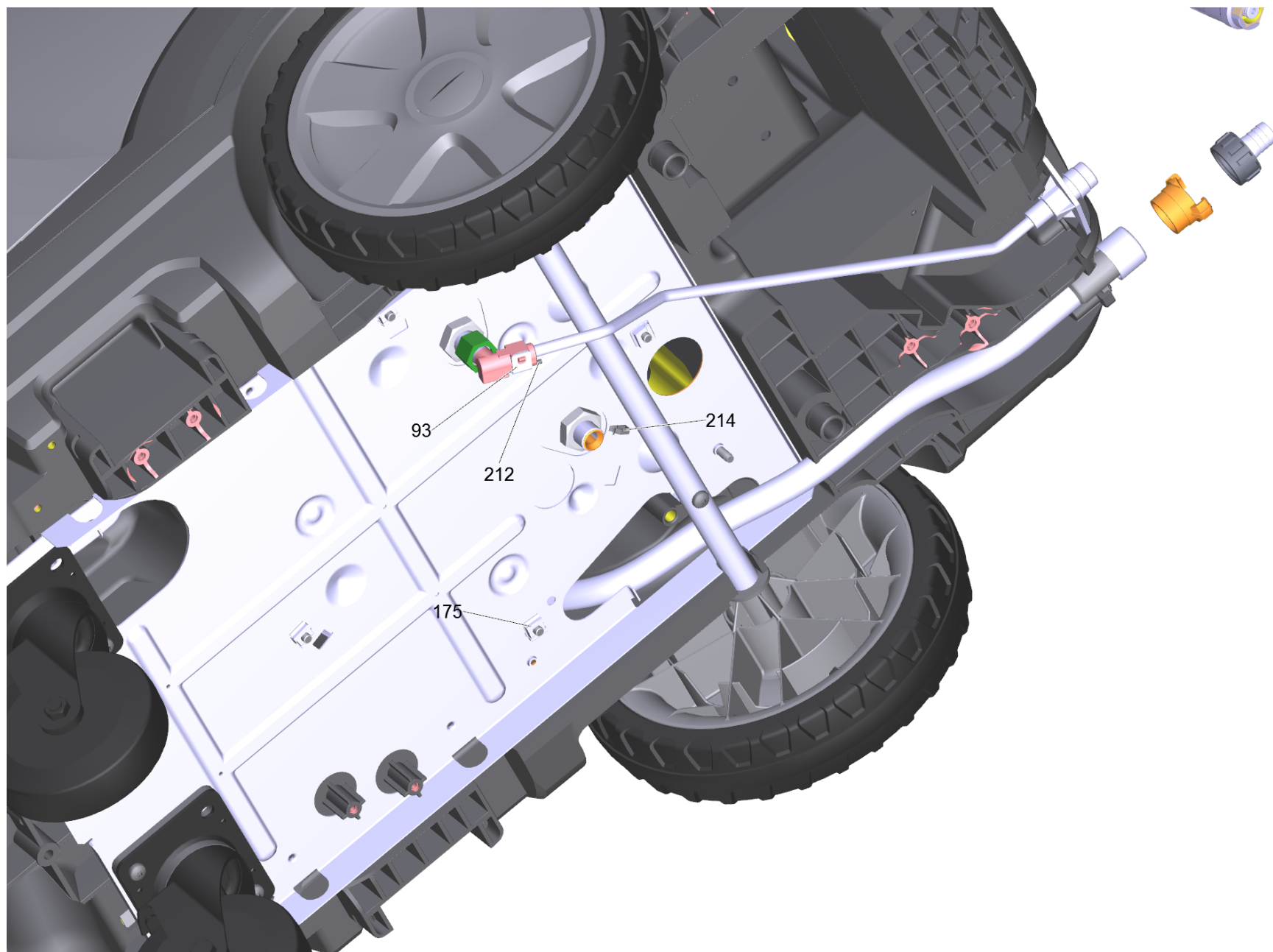


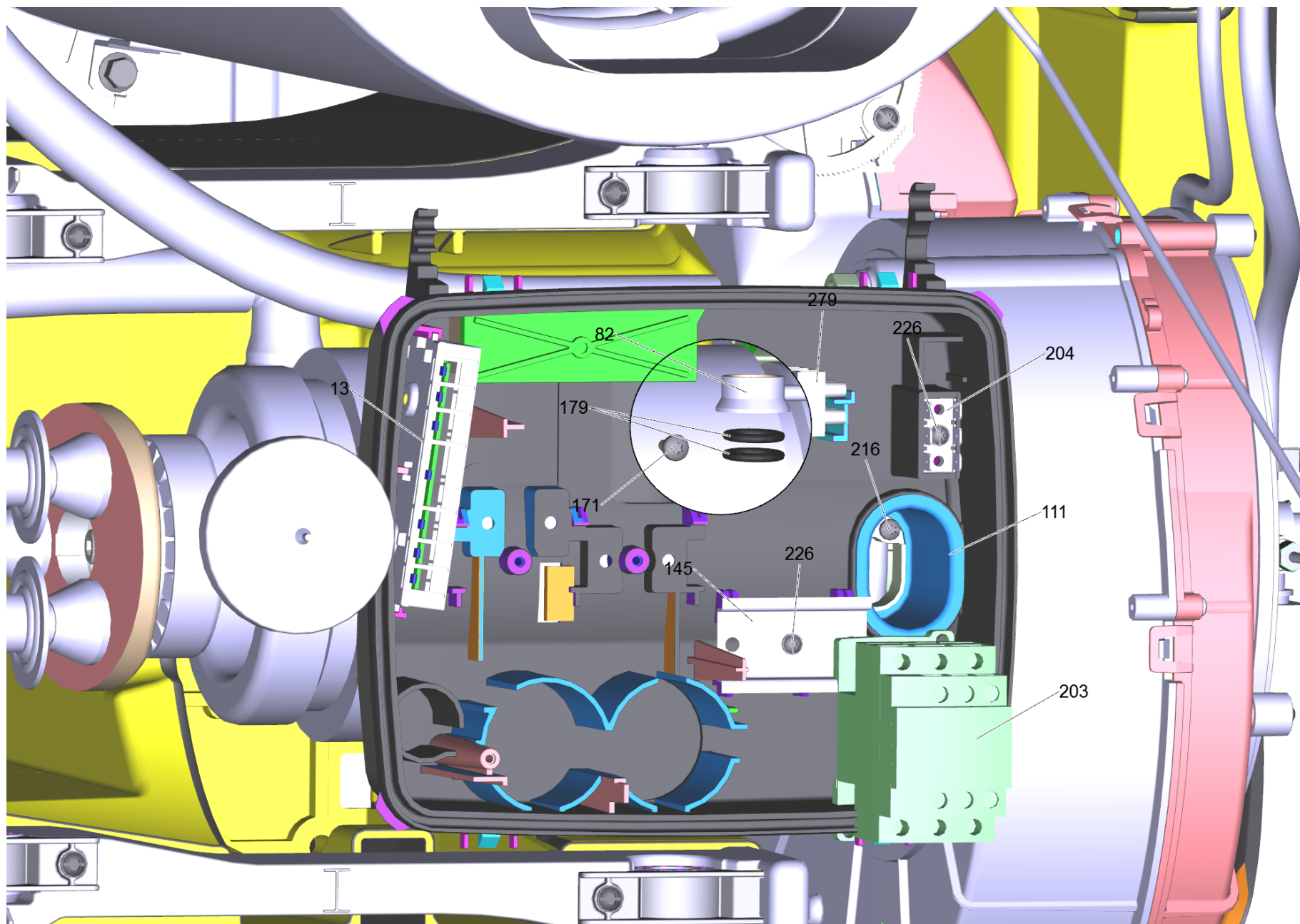










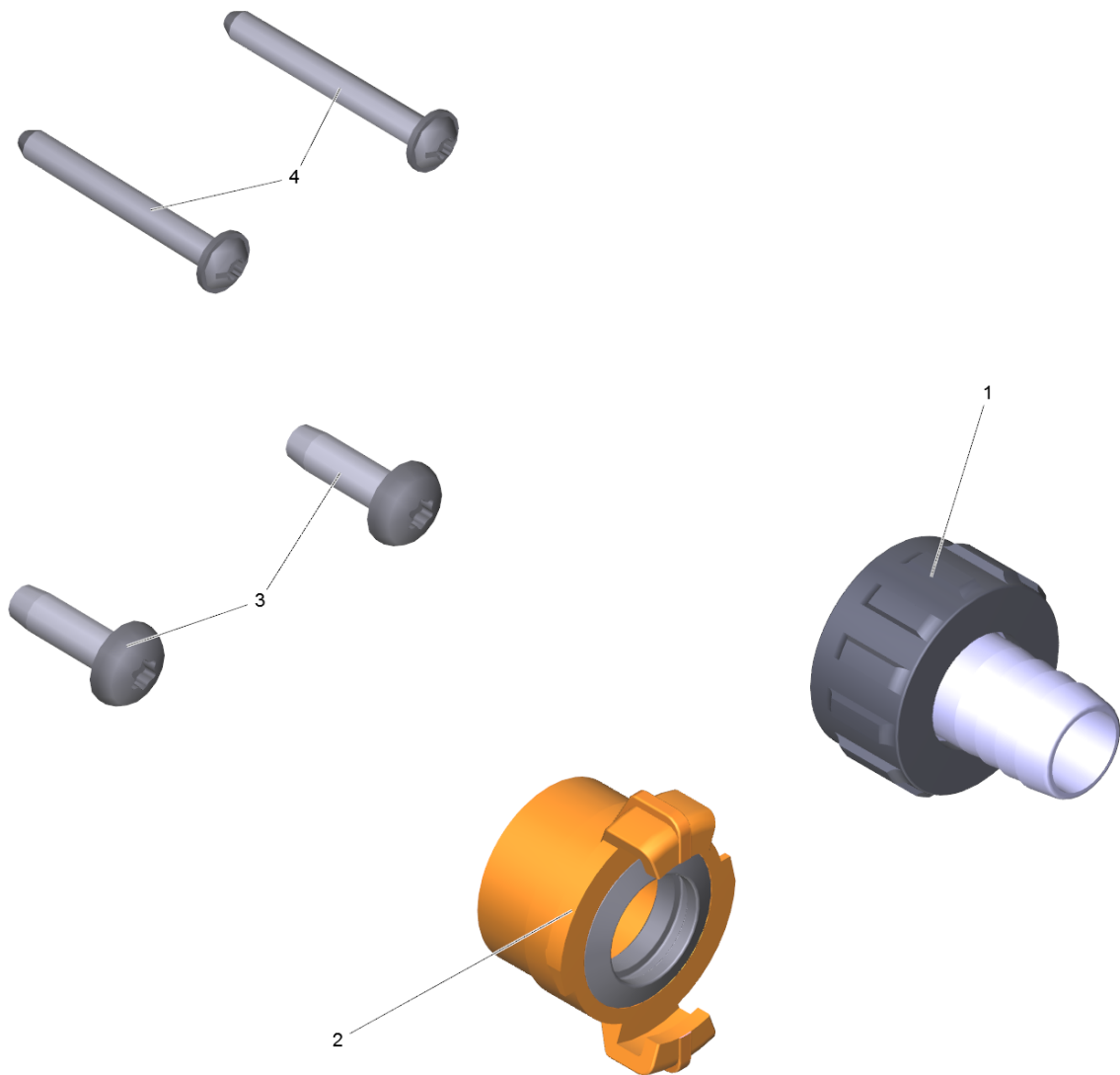


POS	Article no.	Description	Quantity	Unit
997	2.641-803.0	Add-on kit pressure accumulator	1.000	ST
80	5.105-652.0	Axle	1.000	ST
63	5.051-114.0	Base plate boiler	1.000	ST
7		Boiler	1.000	ST
99	5.317-220.0	Bolt	2.000	ST
33	6.415-564.0	Burner nozzle	1.000	ST
205	6.650-864.0	Cable 1x0,35 50mm	1.000	ST
207	6.649-384.0	Cable 2x0,35 350mm	1.000	ST
175	6.310-081.0	Cage nut M 8	4.000	ST
196	6.435-747.0	Castor	1.000	ST
197	6.435-777.0	Castor D 160	1.000	ST
214	6.970-929.0	Clip	1.000	ST
78	5.075-036.0	Closure	1.000	ST
125	5.423-347.0	Conduit fuel	1.000	ST
130	5.425-495.0	CONNECTION PIECE DGT	1.000	ST
209	2.885-110.0	Control cable complete only for replacem	1.000	ST
997	2.882-692.0	Conversion kit holder large Kessel	1.000	ST
997	2.885-273.0	Conversion kit Niveaufuehler HDS 13/20	1.000	ST
70		Cover complete Chem 1	1.000	ST
74		Cover complete Chem 2	1.000	ST
72	5.064-226.0	Cover electric box	1.000	ST
69	4.064-013.0	Cover fuel complete	1.000	ST
54	5.033-344.0	Covering cap DGT	1.000	ST
32	4.654-288.0	Cover pressure boiler only for replaceme	1.000	ST
182	6.389-263.0	Cutting ring d.4	2.000	ST
14	4.066-426.0	Device cover complete only for replaceme	1.000	ST
901	4.118-005.0	EASY!Force Advanced	1.000	ST
8		Electric control box	1.000	ST
136	5.731-039.0	Filter	1.000	ST
35	4.730-167.3	Filter complete	1.000	ST
127	5.424-137.0	Fixing castor	2.000	ST
134	5.664-256.0	Flame tube	1.000	ST
55	5.033-155.0	Flap	1.000	ST

POS	Article no.	Description	Quantity	Unit
53	5.033-113.0	Flap	1.000	ST
30		Float valve	1.000	ST
13	2.885-054.0	Frame circuit board complete	1.000	ST
12	4.051-109.0	Frame neue M-Klasse Ersatz	1.000	ST
200	4.473-032.0	Fuel pump only for replacement	1.000	ST
105	5.321-844.0	Handle	1.000	ST
108	5.321-848.0	Handle	1.000	ST
107	5.321-847.0	Handle	1.000	ST
102	5.322-103.0	Handle	1.000	ST
240	7.304-051.0	Hexagonal head screw M 8x16-8.8-P2R EN	4.000	ST
58	5.044-420.0	Holder	4.000	ST
150	5.802-306.0	Holder cable	2.000	ST
116	5.378-150.0	Holder pipe	1.000	ST
56	5.034-834.0	Holder probe	1.000	ST
132	6.391-820.0	Hose	0.340	M
131	6.391-820.0	Hose	0.410	M
904	6.110-038.0	Hose assembly TR DN8 40MPa 10m	1.000	ST
185	6.388-559.0	Hose clip	2.000	ST
24		Hose float	1.000	ST
17		Hose float	1.000	ST
18	4.440-792.0	Hose water connection 2-Rad	1.000	ST
66	5.061-319.0	Housing electric box	1.000	ST
202	4.622-038.0	Ignition transformer only for replacemen	1.000	ST
46	4.112-000.0	Jet pipe TR 1050 mm	1.000	ST
42	4.747-098.0	Level probe -nur für Ersatz-	1.000	ST
41	4.747-097.0	Level probe -nur für Ersatz-	1.000	ST
43	4.747-093.0	Level probe RM1	1.000	ST
177	6.343-162.0	Lock washer -25	2.000	ST
20	4.427-012.0	Manifold complete high-pressure outlet	1.000	ST
5		Motor pump	1.000	ST
146	5.802-288.0	Mounting part	4.000	ST
145	5.802-261.0	Mounting part	1.000	ST
179	6.362-579.0	O-Ring seal 17,5 X 3,5	4.000	ST

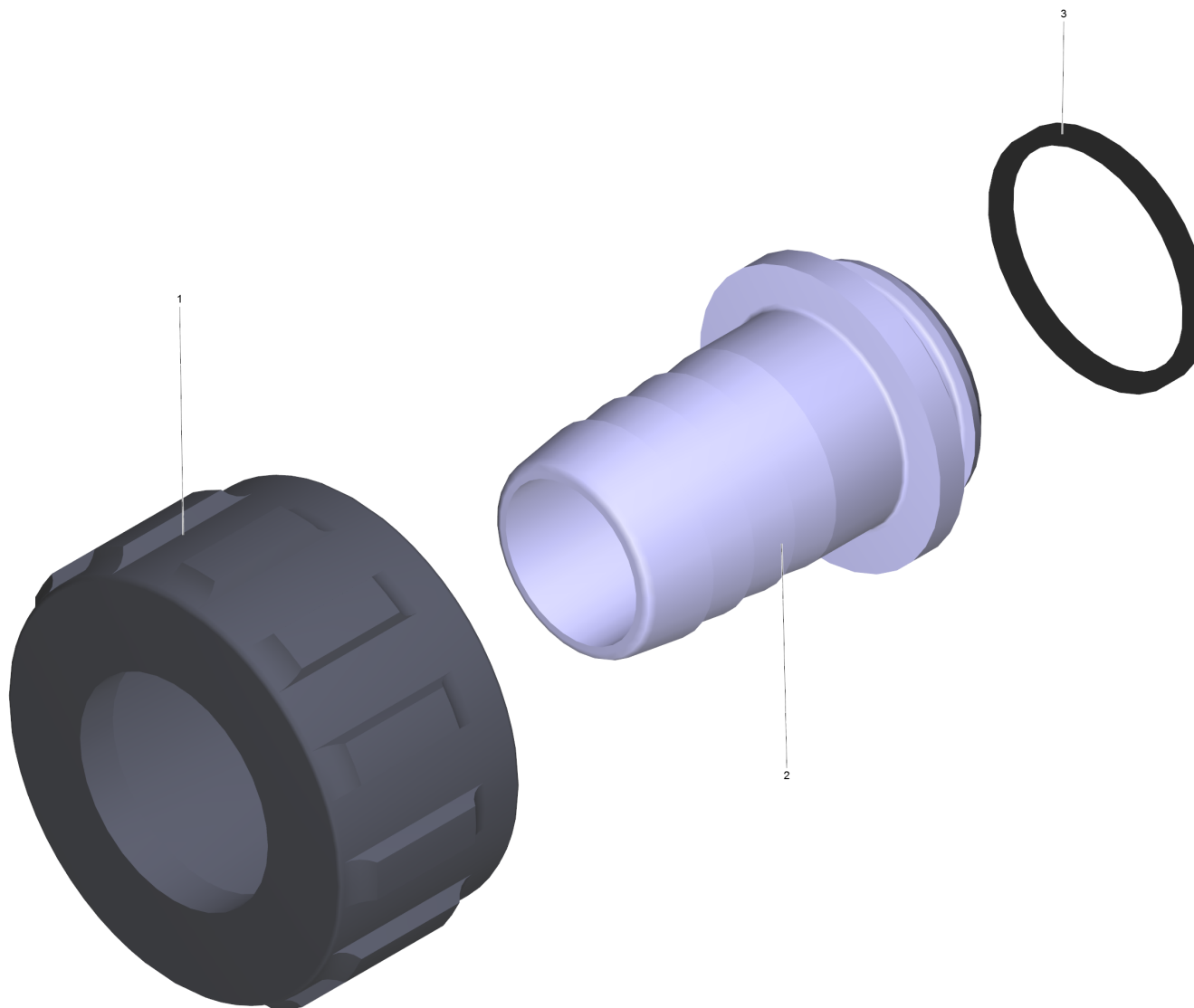
POS	Article no.	Description	Quantity	Unit
183	6.362-377.0	O-Ring seal 38,0 X 2,0-NBR 70	1.000	ST
204	6.641-270.0	Plug	1.000	ST
203	6.632-334.0	Power contactor LC1 D32 B7	1.000	ST
141	2.113-028.0	Power nozzle TR 25070	1.000	ST
195	4.422-991.0	Pressure gauge complete only for replace	1.000	ST
60	5.033-381.0	Profile	1.000	ST
111	5.365-181.0	Profile gasket	1.000	ST
180	6.368-080.0	Protecting cap	1.000	ST
902	4.118-009.0	Rotary controller TR 700L	1.000	ST
143	5.767-023.0	Rubber buffer	1.000	ST
113	5.365-290.0	Rubber bushing fuel	1.000	ST
112	5.365-289.0	Rubber bushing transmitter feeder	1.000	ST
45		Safety system	1.000	ST
226	7.303-106.0	Screw 4x12 -10.9-R2R (IN6RD)	7.000	ST
222	7.303-084.0	Screw 4x25 -10.9-R2R (K-In6Rd)	2.000	ST
224	7.303-107.0	Screw 5x16 -10.9-P2R (K-In6Rd)	3.000	ST
223	7.303-108.0	Screw 5x20 -10.9-R2R (In6Rd)	1.000	ST
225	7.303-086.0	Screw 5x30 -10.9-R2R (K-In6Rd)	10.000	ST
233	7.303-111.0	Screw 5x50 -10.9-R2R (K-In6Rd)	2.000	ST
906	7.303-209.0	Screw 6x50 -10.9-R2R (K-In6Rd)	2.000	ST
216	7.303-031.0	Screw M4x10 -St-P2R (In6Rd)	1.000	ST
217	7.303-038.0	Screw M5x12 -St-P2R (In6Rd)	4.000	ST
171	6.303-153.0	Screw M5x15-ST-R2R (IN6RD)	3.000	ST
245	6.303-320.0	Screw M 5x 20-St-R2R	2.000	ST
236	7.303-240.0	Screw M5x40-ST-A2E (IN6RD)	1.000	ST
905	7.303-069.0	Screw M 8x25-ST-R3R (IN6RD)	2.000	ST
170	6.303-497.0	Screw M8x35-8.8-A2E (IN6RD)	3.000	ST
237	7.303-236.0	Screw M 8x60-St-A3E (IN6RD)	5.000	ST
227	7.303-237.0	Screw M 8x70-St-A3K (IN6RD)	3.000	ST
90	5.195-251.0	Seal air circulation	1.000	ST
3		Set mounting parts	1.000	ST
122	2.889-086.0	Set wheel cap	1.000	ST
82	5.110-341.0	Sleeve	2.000	ST

POS	Article no.	Description	Quantity	Unit
103	5.321-830.0	Sliding handle left	1.000	ST
104	5.321-831.3	Sliding handle right	1.000	ST
211	4.686-030.0	Solenoid valve only for replacement	1.000	ST
52	5.033-112.0	Storage compartment	1.000	ST
190	6.414-141.0	Strainer	1.000	ST
191	6.414-566.0	Strainer WMS	1.000	ST
88	5.190-249.0	Strip front	1.000	ST
89	5.190-250.0	Strip rear	1.000	ST
279	6.643-151.0	Strip terminal one-pole 16mm ²	1.000	ZST
176	6.431-284.0	Tackle cover	1.000	ST
16	4.070-658.3	Tank complete	1.000	ST
94	5.263-091.0	Tensioning part	2.000	ST
93	5.263-064.0	Tensioning part	1.000	ST
95	5.263-087.0	Tensioning part	1.000	ST
96	5.263-088.0	Tensioning part	1.000	ST
97	5.263-094.0	Tensioning part air circulation	1.000	ST
98	5.263-096.0	Tensioning part air circulation	1.000	ST
212	4.686-031.0	Thermostat only for replacement	1.000	ST
247	7.312-172.0	Toothed lock washer A5,3-FSt-A3E DIN 67	1.000	ST
51	5.027-292.0	Tube handhold	2.000	ST
181	6.389-262.0	Union nut A 4-LL	2.000	ST
28		Valve cleaning agents complete	1.000	ST
121	5.387-620.0	Warning sticker-Prevent from freezing	1.000	ST
249	7.312-278.0	Washer 5-200HV-A2E ISO7093-1	4.000	ST
248	7.312-277.0	Washer 8-200HV-A2E ISO7093-1	4.000	ST
246	7.312-060.0	Washer 24-100HV-A3E ISO 7091	2.000	ST
25	4.730-168.3	Water filter complete	1.000	ST
27	4.515-345.0	Wheel complete	2.000	ST



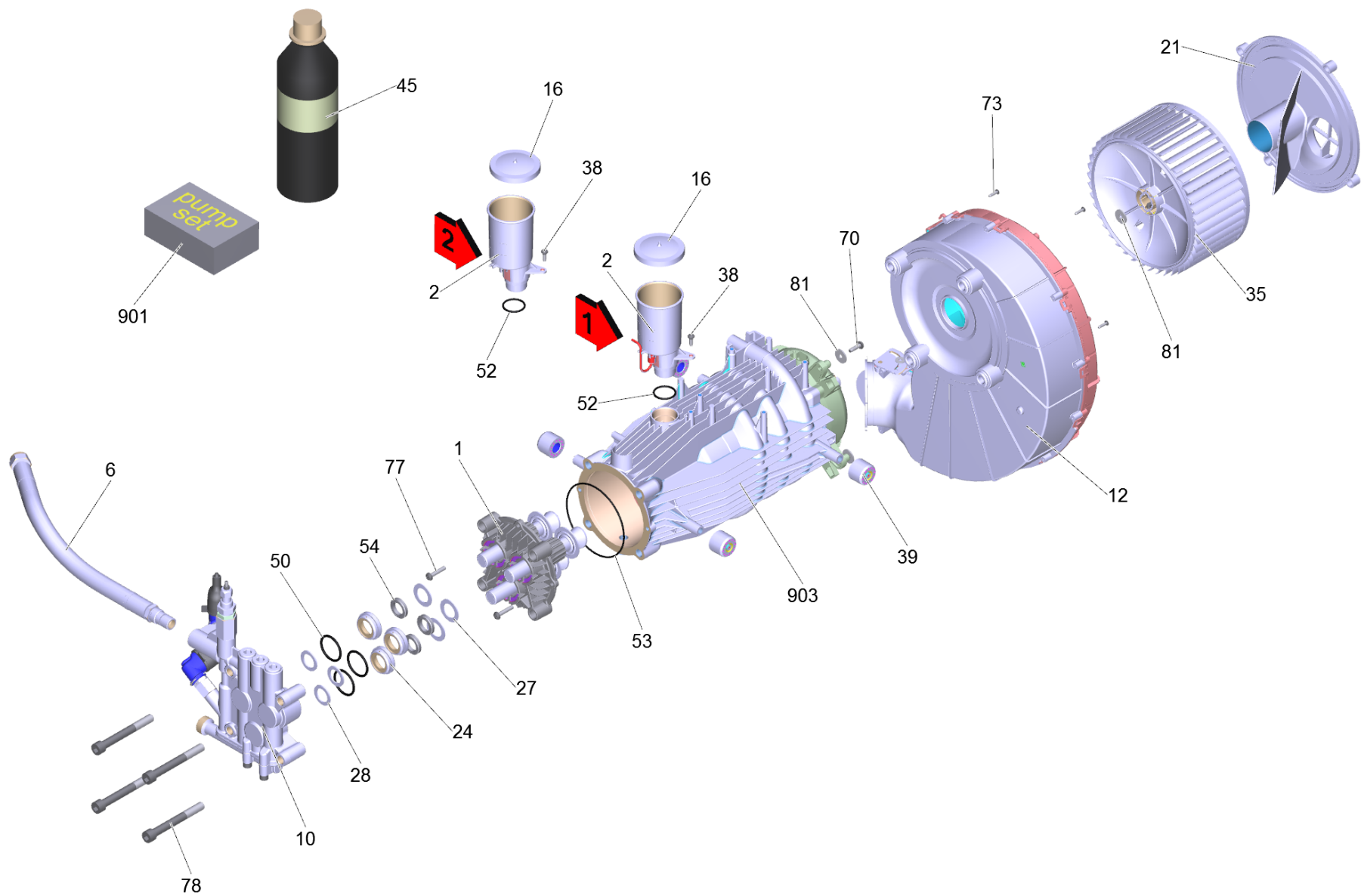
3 Set mounting parts

POS	Article no.	Description	Quantity	Unit
2	6.388-458.0	Hose coupling	1.000	ST
4	7.303-209.0	Screw 6x50 -10.9-R2R (K-In6Rd)	1.000	ST
3	7.303-069.0	Screw M 8x25-ST-R3R (IN6RD)	2.000	ST
1	2.640-492.0	Set water connection 1 "	1.000	ST



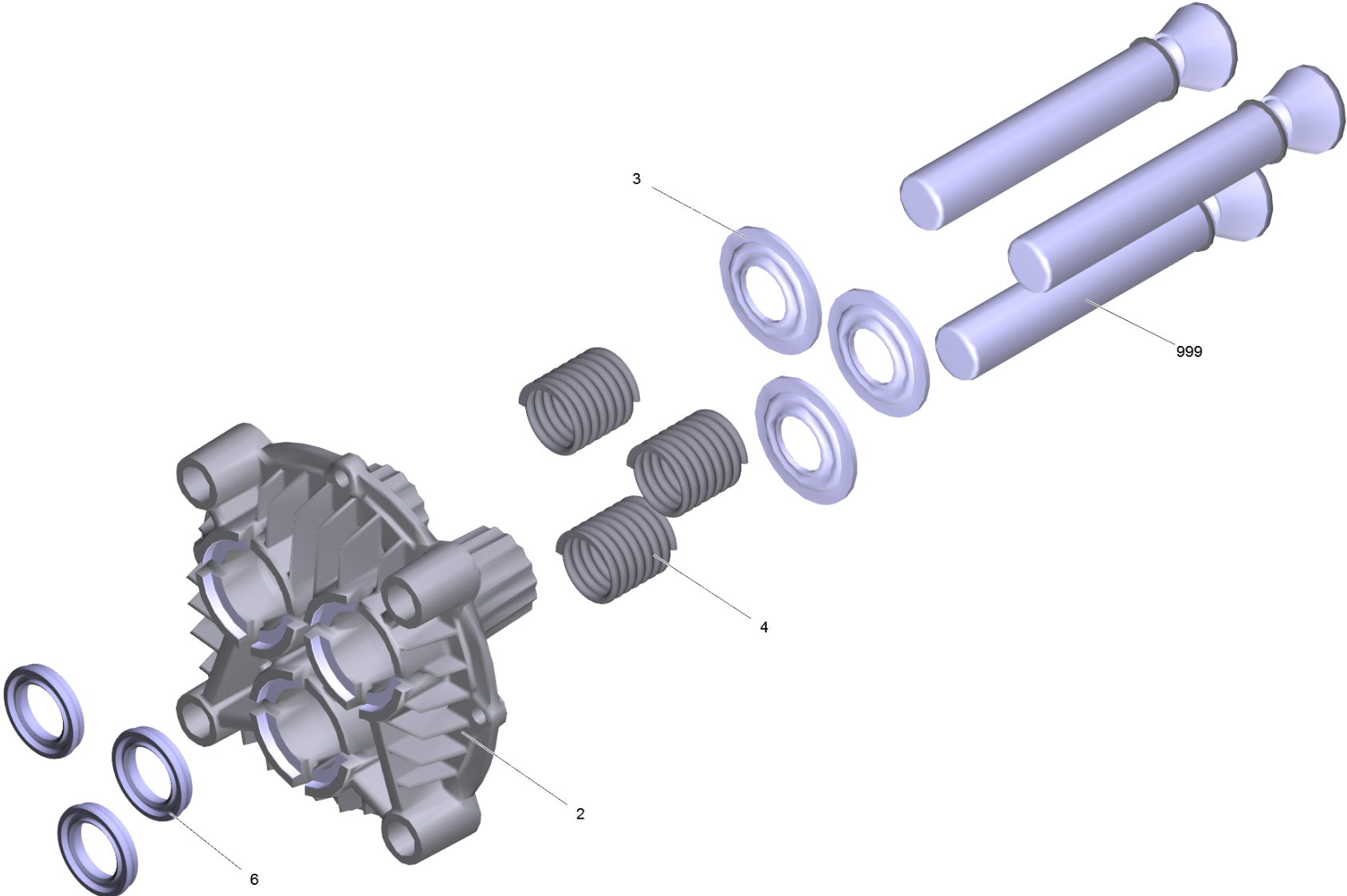
1 Set water connection 1 " (2.640-492.0)

POS	Article no.	Description	Quantity	Unit
2	5.443-291.0	Hose stem	1.000	ST
1	5.310-076.0	Nut	1.000	ST
3	6.362-161.0	O-Ring seal 19,3 X 2,4	1.000	ST



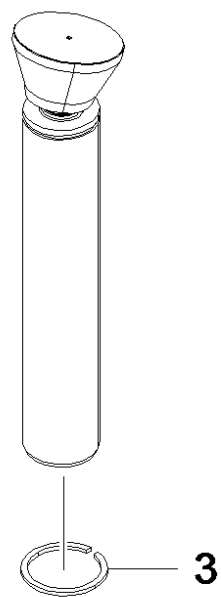
5 Motor pump

POS	Article no.	Description	Quantity	Unit	Foot note text
24	5.112-414.3	Bush	3.000	ST	
54	6.365-056.0	Compact seal 22X32X6	3.000	ST	
35	2.641-430.0	Conversion kit blower wheel	1.000	ST	
21	5.064-266.0	Cover blower internal part	1.000	ST	
16	5.064-459.0	Cover grey	1.000	ST	
10		Cylinder head complete	1.000	ST	
78	7.306-155.0	Cylinder head screw M12x100 -8.8-A3E IS	4.000	ST	
45	6.288-016.0	Gear oil 1L	1.000	ST	
6	6.391-629.0	High pressure hose DN 13	1.000	ST	
12	4.605-106.0	Housing blower complete	1.000	ST	
903	4.623-921.0	Motor complete only for replacement	1.000	ST	
52	6.362-722.0	O-Ring seal 28,0 X 3,0	1.000	ST	
50	6.362-092.0	O-Ring seal 36,0 X 2,0-NBR 70	3.000	ST	
53	6.363-228.0	O-Ring seal 114 x 3	1.000	ST	
39	5.767-005.0	Rubber buffer	4.000	ST	
73	7.303-205.0	Screw 4x16-St-10.9-R2R (In6Rd)	4.000	ST	
38	6.303-153.0	Screw M5x15-ST-R2R (IN6RD)	1.000	ST	
70	7.303-048.0	Screw M6x20 -St-R3R (In6Rd)	4.000	ST	
77	7.306-105.0	Screw M6x30 -8.8-R3R (In6Rd)	2.000	ST	
901	2.885-033.0	Spare part set pump	1.000	ST	
2	5.070-736.0	Tank oil	1.000	ST	VERSION 2
2	4.070-904.0	Tank only for replacement	1.000	ST	VERSION 1
1		Thrust guidance complete	1.000	ST	
27	5.115-520.0	Washer	3.000	ST	
28	5.115-521.0	Washer	3.000	ST	
81	7.312-260.0	Washer 6 -100HV-A3E ISO 7094	5.000	ST	



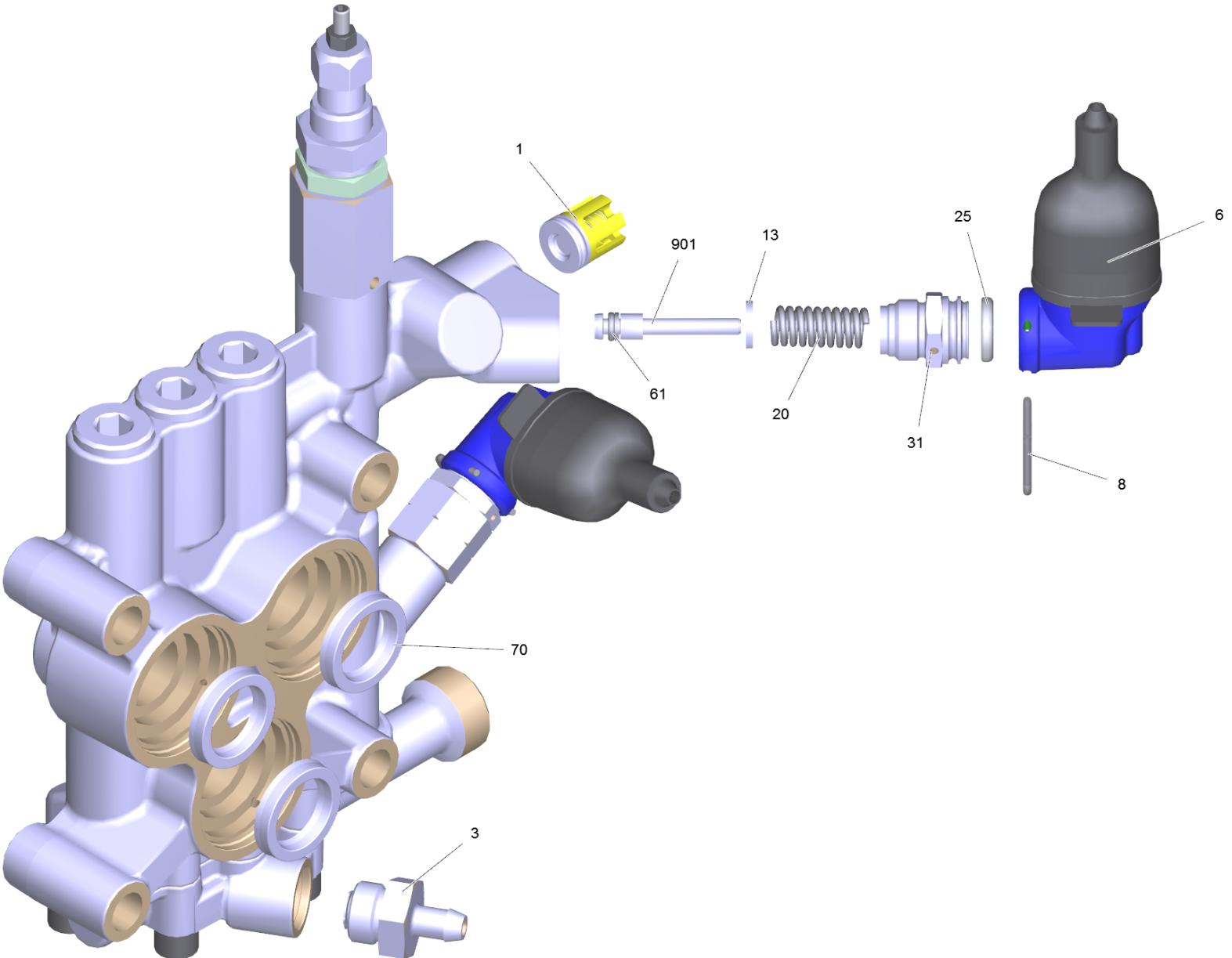
1 Thrust guidance complete

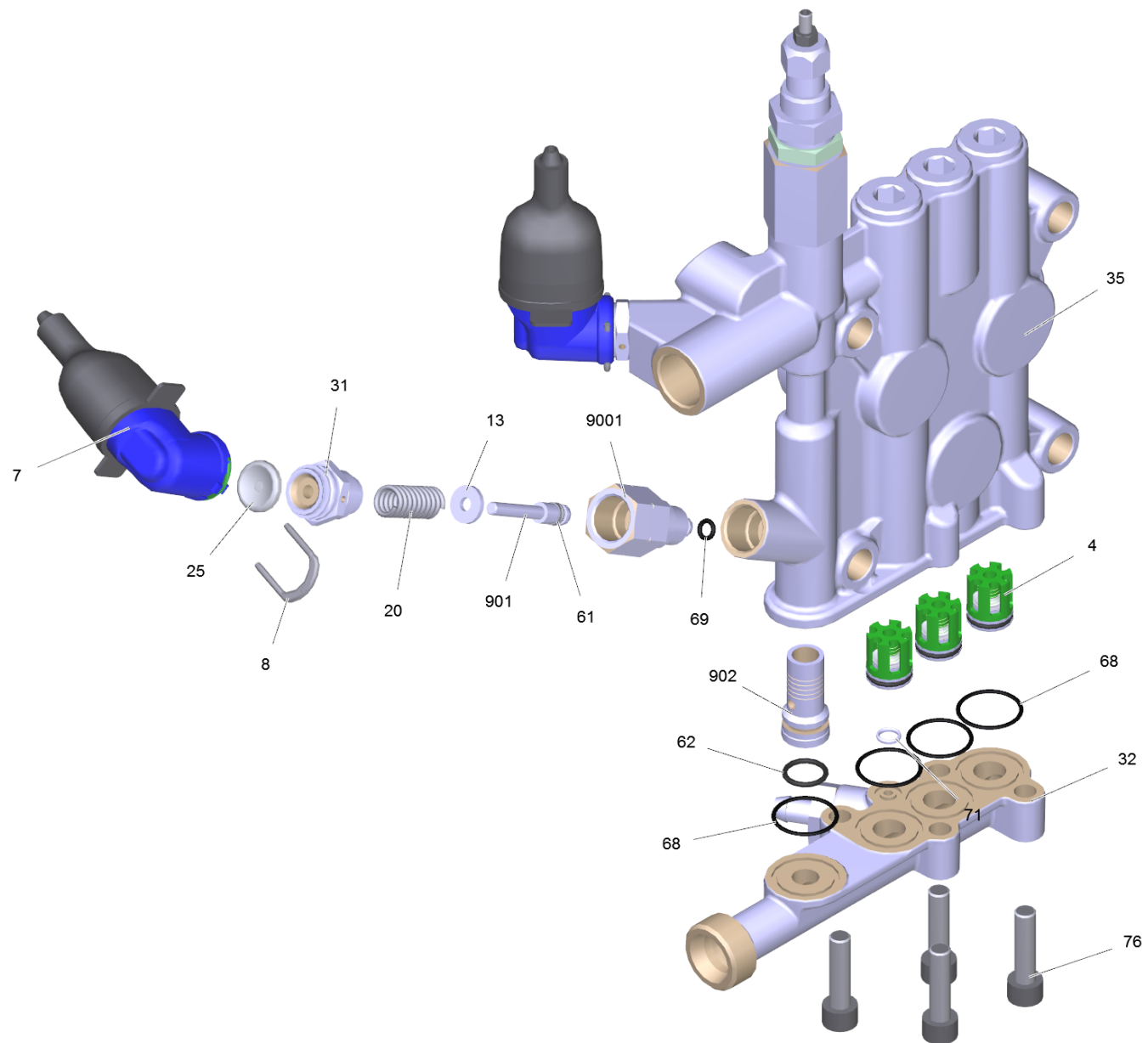
POS	Article no.	Description	Quantity	Unit
5	6.288-050.0	Engine oil 1L	1.000	ST
6	6.365-059.0	Grooved ring 22X30X6/8	3.000	ST
4	5.332-187.0	Helical spring	3.000	ST
999	4.553-280.0	Piston complete only for replacement	3.000	ST
2	5.060-954.3	Thrust guidance D22	1.000	ST
3	5.116-065.0	Washer D22	3.000	ST



999 Piston complete only for replacement (4.553-280.0)

POS	Article no.	Description	Quantity	Unit
3	6.343-142.0	Snap ring WR 22	1.000	ST



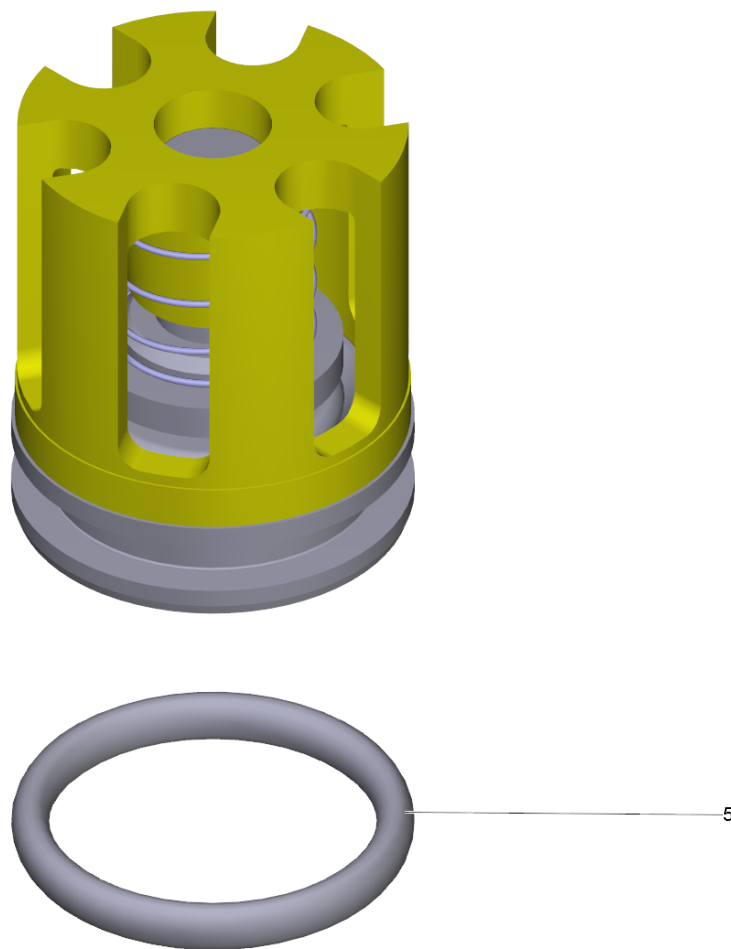


10 Cylinder head complete

POS	Article no.	Description	Quantity	Unit
29	5.402-746.0	Connection piece	1.000	ST
35	4.550-887.0	Cylinder head complete	1.000	ST
76	7.306-043.0	Cylinder head screw M8x30 -8.8-A2E ISO	4.000	ST
25	5.367-030.0	Diaphragm	2.000	ST
70	6.365-055.0	Grooved ring 22x30x5	3.000	ST
21	5.332-444.0	Helical spring	1.000	ST
20	5.332-268.0	Helical spring	2.000	ST
15	5.304-070.0	Hexagonal head screw	1.000	ST
79	7.311-002.0	Hexagon nut M5 -6-A2E ISO 4032	1.000	ST
18	5.311-204.0	Hexagon nut M22x1,5	1.000	ST
30	5.404-082.0	Hollow screw	1.000	ST
9001	5.402-705.3	Joining piece	1.000	ST
32	5.427-418.0	Manifold water intake	1.000	ST
69	6.362-853.0	O-Ring seal 4,47x1,78	1.000	ST
71	6.362-703.0	O-Ring seal 6,0x1,5-NBR 70	1.000	ST
62	6.362-381.0	O-Ring seal 13x2 - NBR 70	1.000	ST
67	6.362-481.0	O-Ring seal 14,0 x 2,0 NBR 80	3.000	ST
66	6.362-427.0	O-Ring seal 15,0x2,0	1.000	ST
59	6.362-079.0	O-Ring seal 18,0 X 2,5	1.000	ST
68	6.363-536.0	O-Ring seal 21x1,5	4.000	ST
61	6.363-037.0	O-Ring seal complete 1ST.-R.	2.000	ST
65	4.553-287.0	Piston complete	1.000	ST
901	4.553-197.0	Piston complete only for replacement	2.000	ST
8	5.034-494.0	Retaining bracket	2.000	ST
31	5.411-148.0	Screw plug	2.000	ST
902	5.110-867.0	Sleeve	1.000	ST
80	7.401-931.0	Sphere 5 K13 -1.4401 DIN 5401	1.000	ST
6	4.744-224.0	Switch complete	1.000	ST
7	4.744-225.3	Switch complete	1.000	ST
78	7.307-017.0	Threaded pin M5x40 -St-45H-A2E ISO 4026	1.000	ST
2	2.884-512.0	Valve (3 Stueck)	1.000	ST
1	4.580-594.0	Valve complete	1.000	ST
4	4.580-611.0	Valve complete	3.000	ST

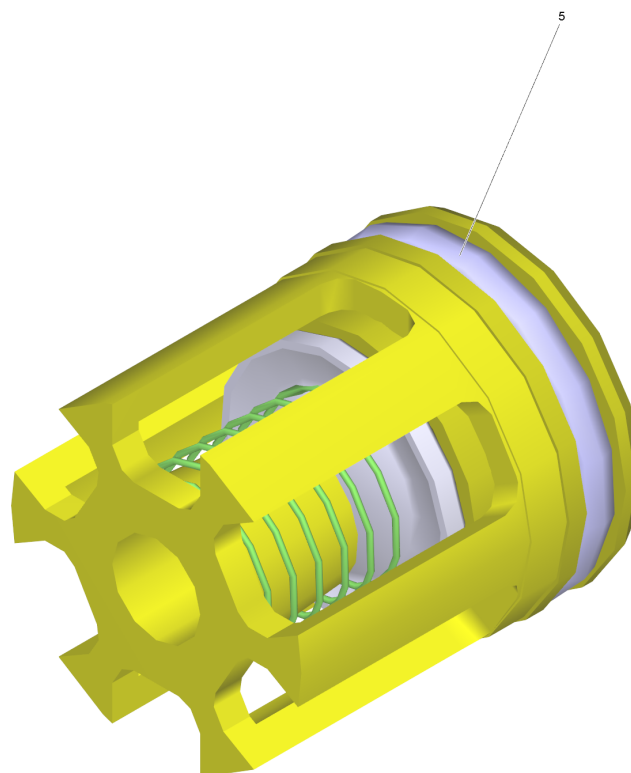
10 Cylinder head complete

POS	Article no.	Description	Quantity	Unit
3	4.580-581.3	Valve complete	1.000	ST
45	5.582-121.0	Valve disc	1.000	ST
50	5.584-114.0	Valve pin	1.000	ST
9002	5.583-146.3	Valve screw	3.000	ST
13	5.115-796.0	Washer	2.000	ST



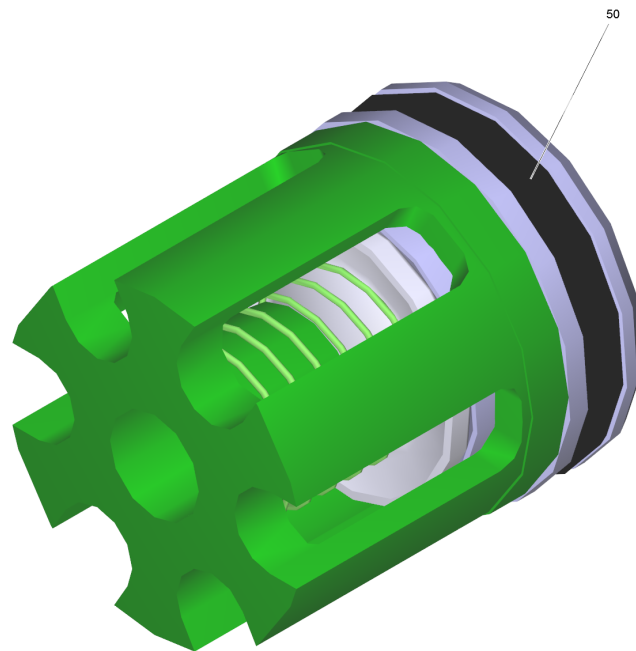
1 Valve complete (4.580-594.0)

POS	Article no.	Description	Quantity	Unit
5	6.362-381.0	O-Ring seal 13x2 - NBR 70	1.000	ST



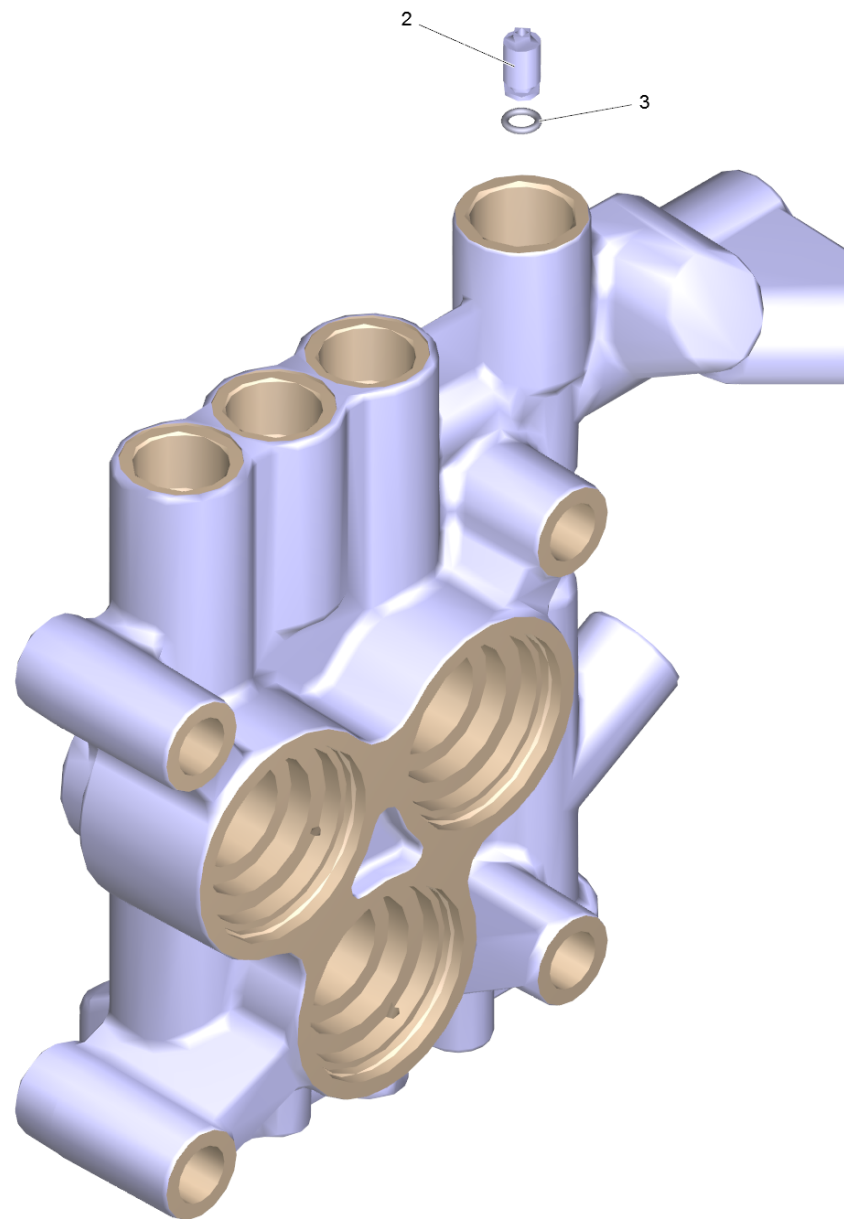
2 Valve (3 Stueck) (2.884-512.0)

POS	Article no.	Description	Quantity	Unit
5	6.363-003.0	O-Ring seal 13,0 X 2,0-NBR 90	1.000	ST



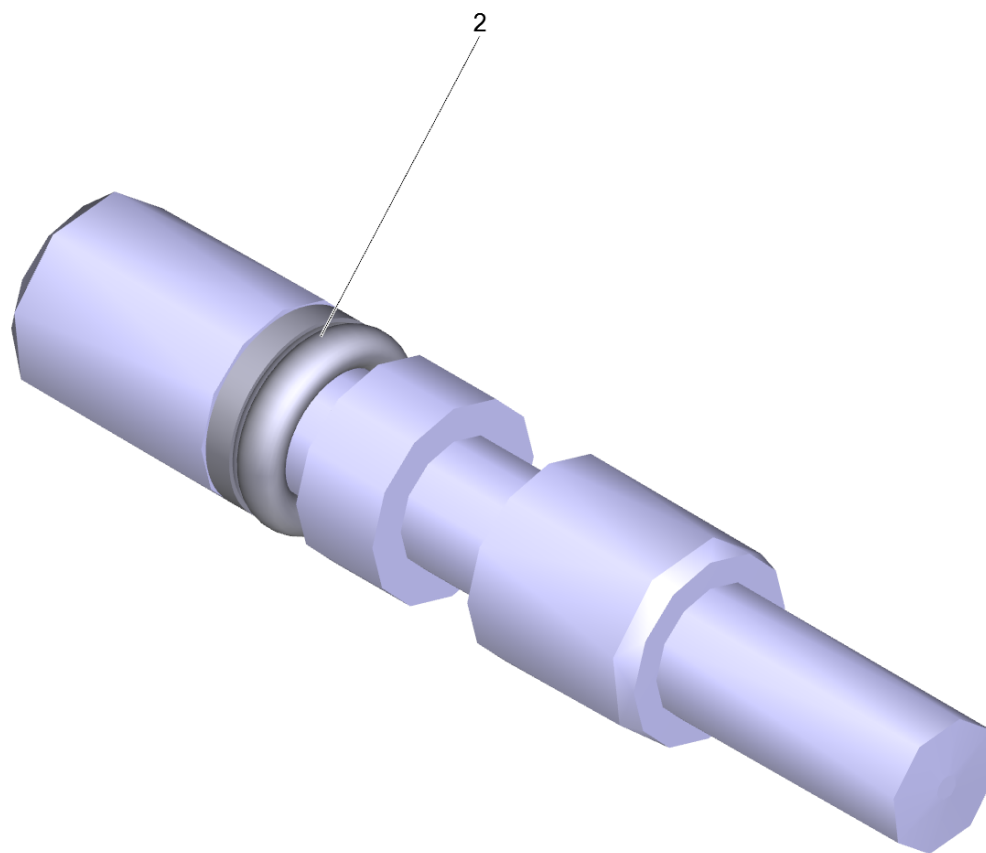
4 Valve complete (4.580-611.0)

POS	Article no.	Description	Quantity	Unit
50	6.363-003.0	O-Ring seal 13,0 X 2,0-NBR 90	1.000	ST



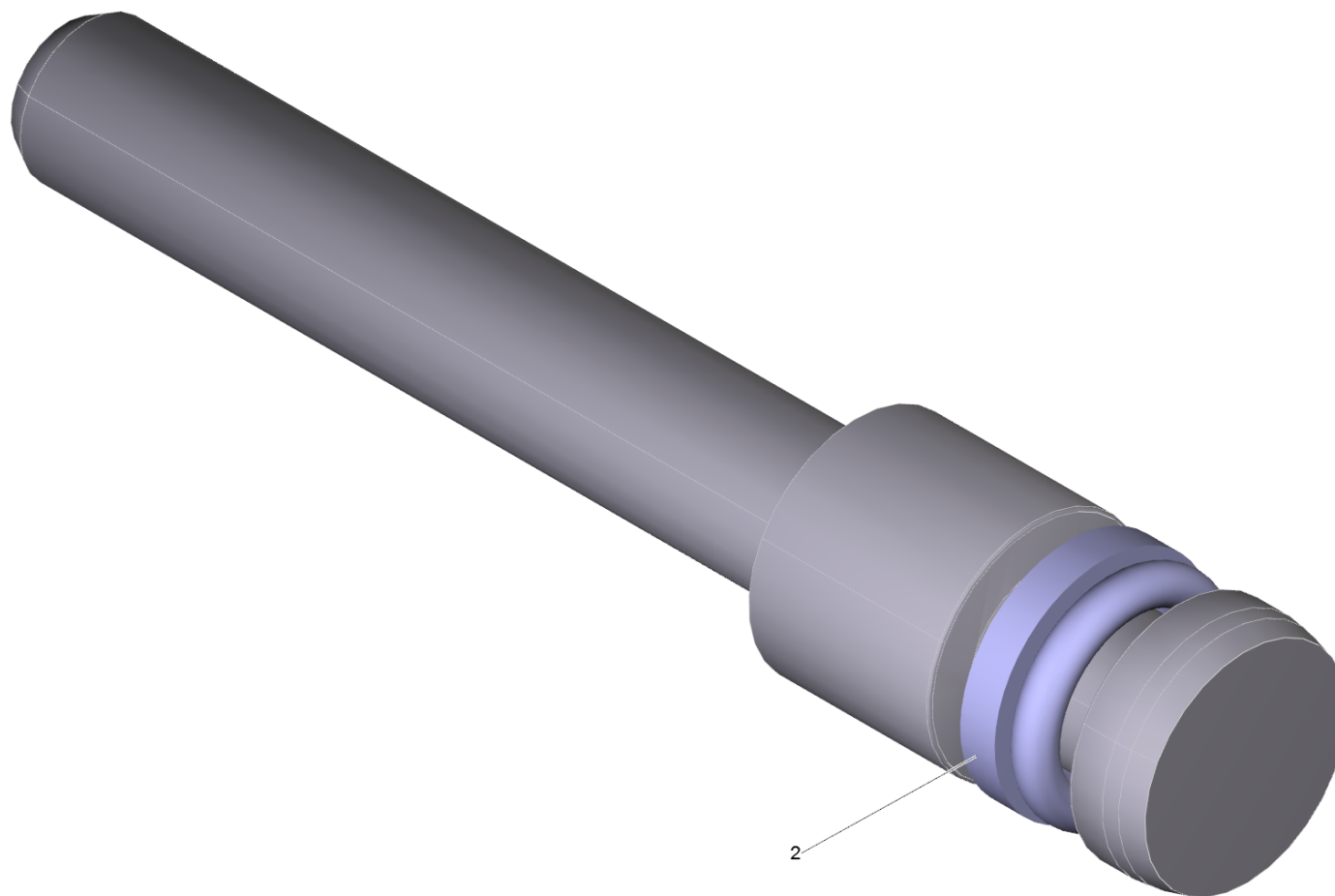
35 Cylinder head complete (4.550-887.0)

POS	Article no.	Description	Quantity	Unit
3	6.362-386.0	O-Ring seal 5,0 x 1,5-NBR 80	1.000	ST
2	5.581-239.0	Valve seat	1.000	ST



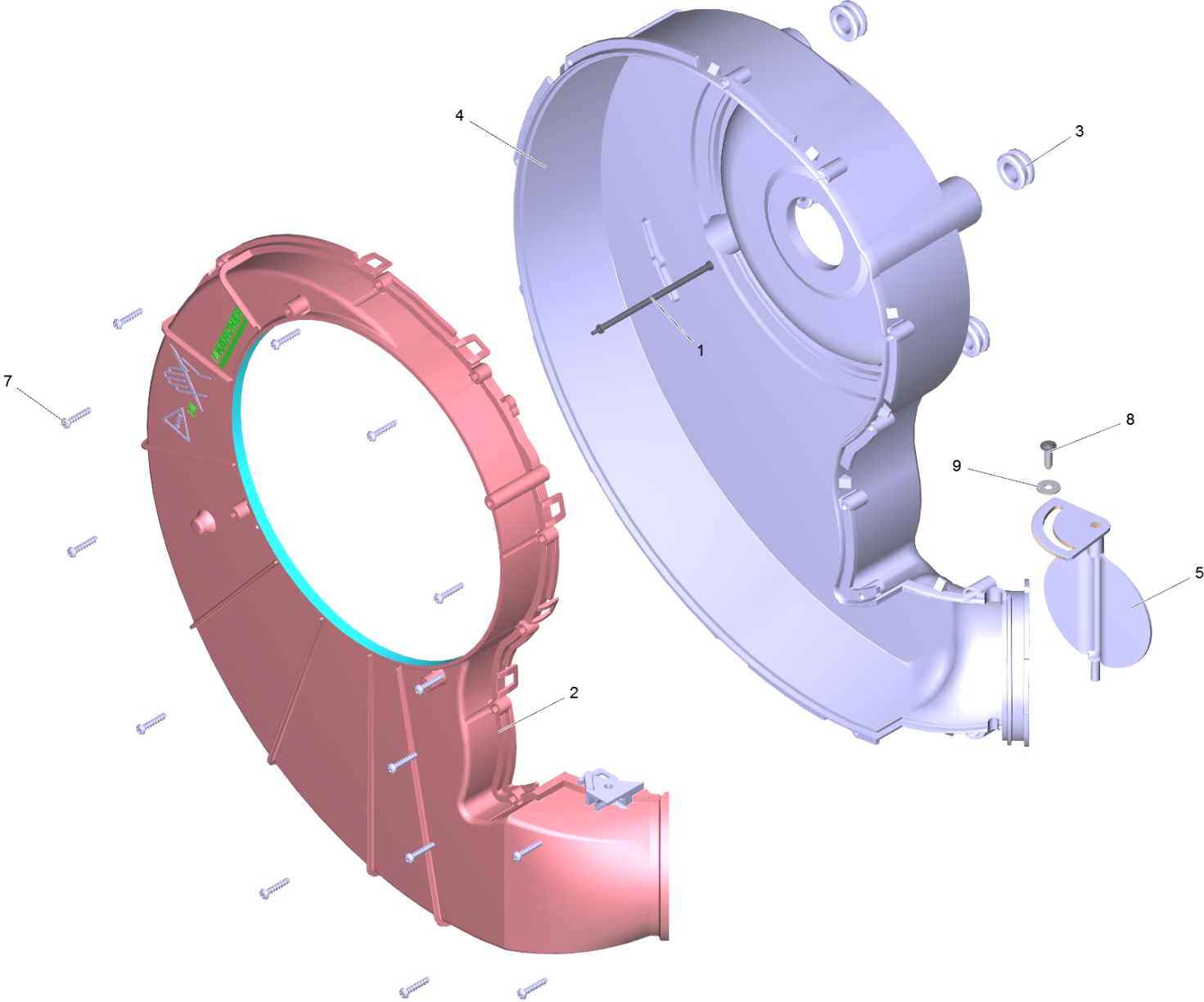
65 Piston complete (4.553-287.0)

POS	Article no.	Description	Quantity	Unit
2	6.362-468.0	O-Ring seal complete 1ST.-R.	1.000	ST



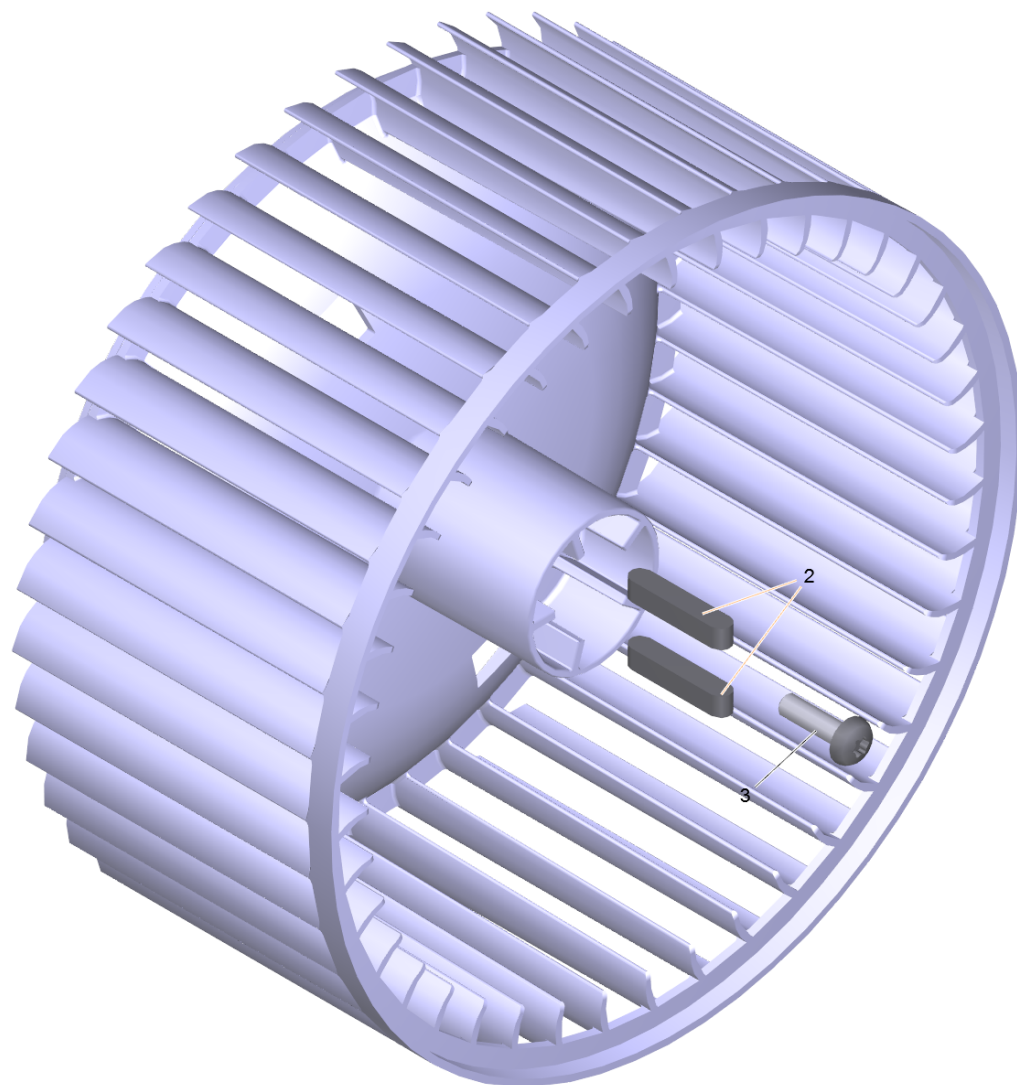
901 Piston complete only for replacement (4.553-197.0)

POS	Article no.	Description	Quantity	Unit
2	6.363-037.0	O-Ring seal complete 1ST.-R.	1.000	ST



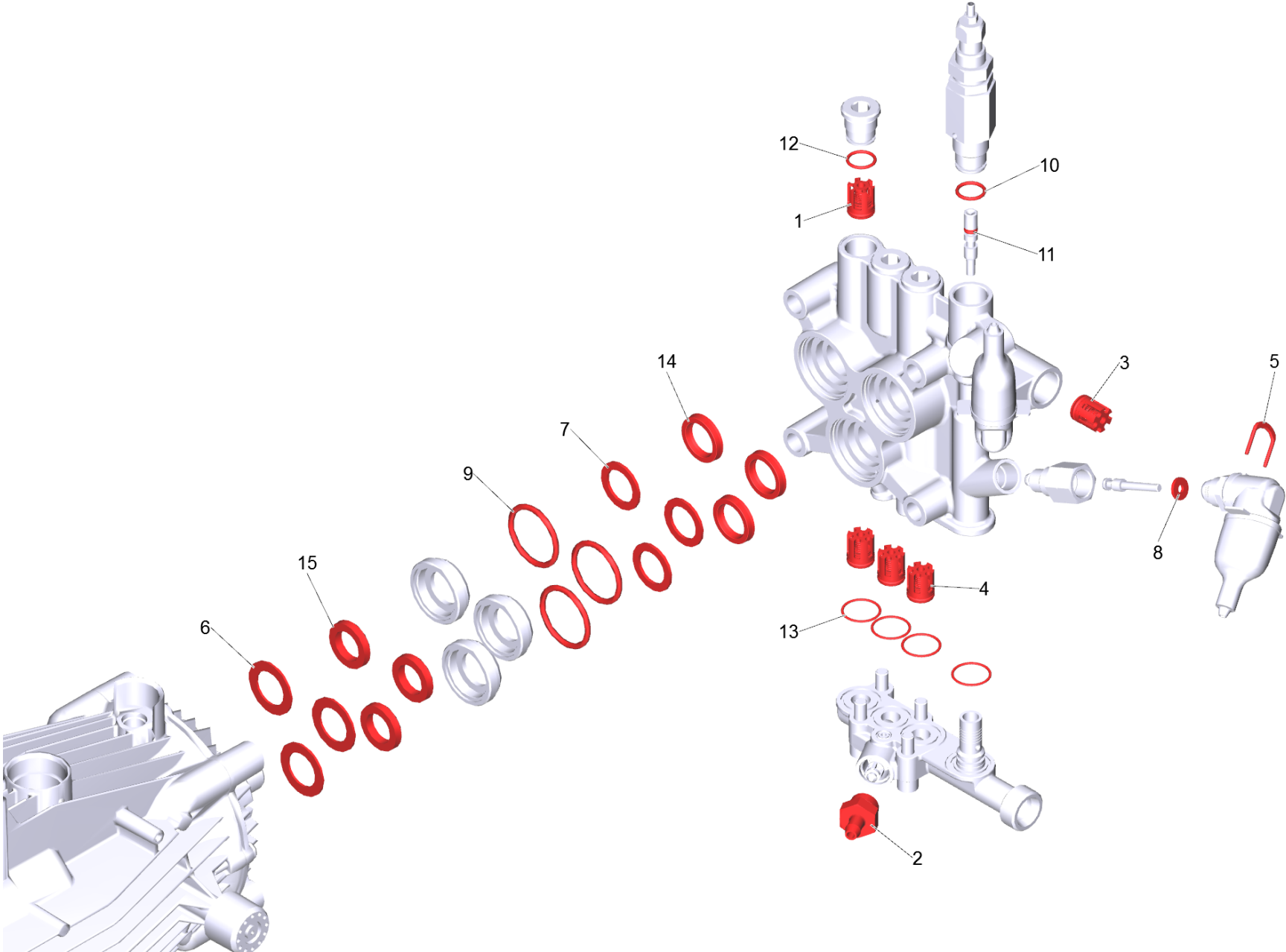
12 Housing blower complete (4.605-106.0)

POS	Article no.	Description	Quantity	Unit
5	5.606-009.0	Air flap	1.000	ST
2	5.064-238.0	Cover blower	1.000	ST
1	5.043-056.0	Holder	1.000	ST
4	5.605-307.0	Housing	1.000	ST
3	5.379-019.0	Rubber ring	4.000	ST
7	7.303-084.0	Screw 4x25 -10.9-R2R (K-In6Rd)	14.000	ST
8	7.303-107.0	Screw 5x16 -10.9-P2R (K-In6Rd)	1.000	ST
9	7.312-278.0	Washer 5-200HV-A2E ISO7093-1	1.000	ST



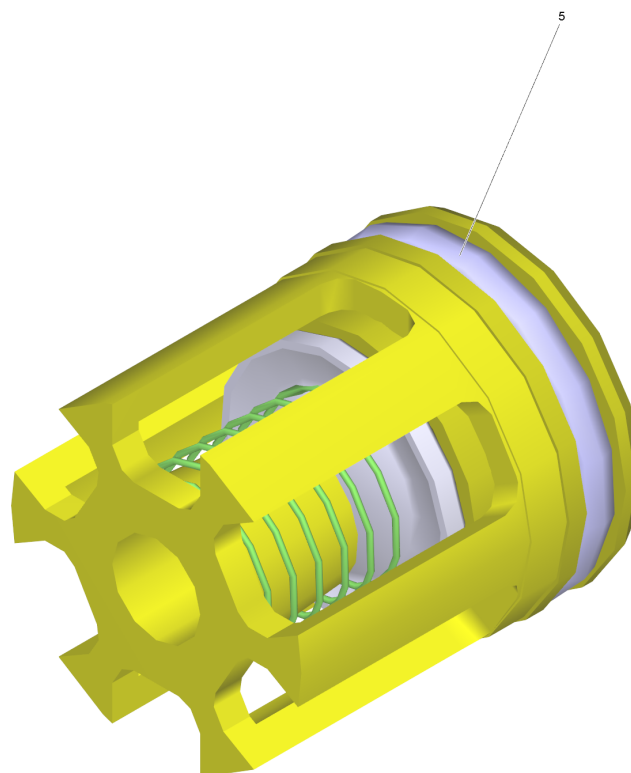
35 Conversion kit blower wheel (2.641-430.0)

POS	Article no.	Description	Quantity	Unit
2	7.318-111.0	Parallel key A 6x6x36 -C45K DIN 6885-1	2.000	ST
3	6.304-053.0	Screw M6X20-ZNBHL (Precote 30-3)	1.000	ST



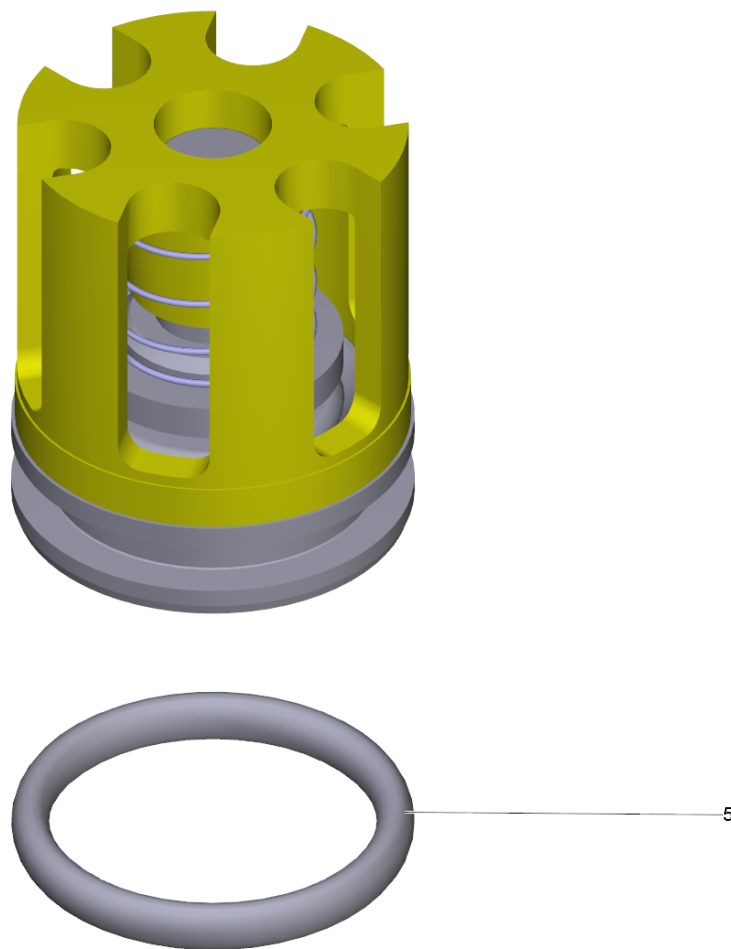
901 Spare part set pump (2.885-033.0)

POS	Article no.	Description	Quantity	Unit
15	6.365-056.0	Compact seal 22X32X6	3.000	ST
14	6.365-055.0	Grooved ring 22x30x5	3.000	ST
12	6.362-481.0	O-Ring seal 14,0 x 2,0 NBR 80	3.000	ST
10	6.362-427.0	O-Ring seal 15,0x2,0	1.000	ST
13	6.362-547.0	O-Ring seal 20,0x1,5-NBR 70	4.000	ST
9	6.362-092.0	O-Ring seal 36,0 X 2,0-NBR 70	3.000	ST
11	6.362-468.0	O-Ring seal complete 1ST.-R.	1.000	ST
5	5.034-494.0	Retaining bracket	2.000	ST
1	2.884-512.0	Valve (3 Stueck)	1.000	ST
2	4.580-581.3	Valve complete	1.000	ST
4	4.580-611.0	Valve complete	3.000	ST
3	4.580-594.0	Valve complete	1.000	ST
8	5.115-796.0	Washer	2.000	ST
6	5.115-520.0	Washer	3.000	ST
7	5.115-521.0	Washer	3.000	ST



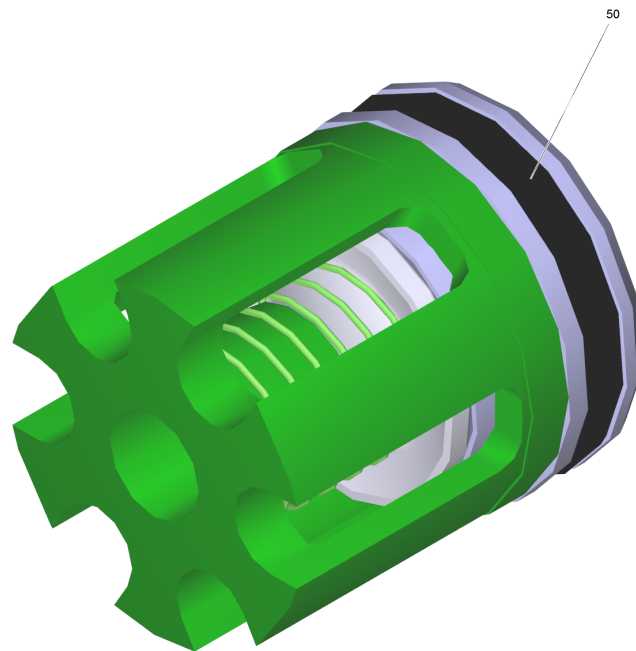
1 Valve (3 Stueck) (2.884-512.0)

POS	Article no.	Description	Quantity	Unit
5	6.363-003.0	O-Ring seal 13,0 X 2,0-NBR 90	1.000	ST



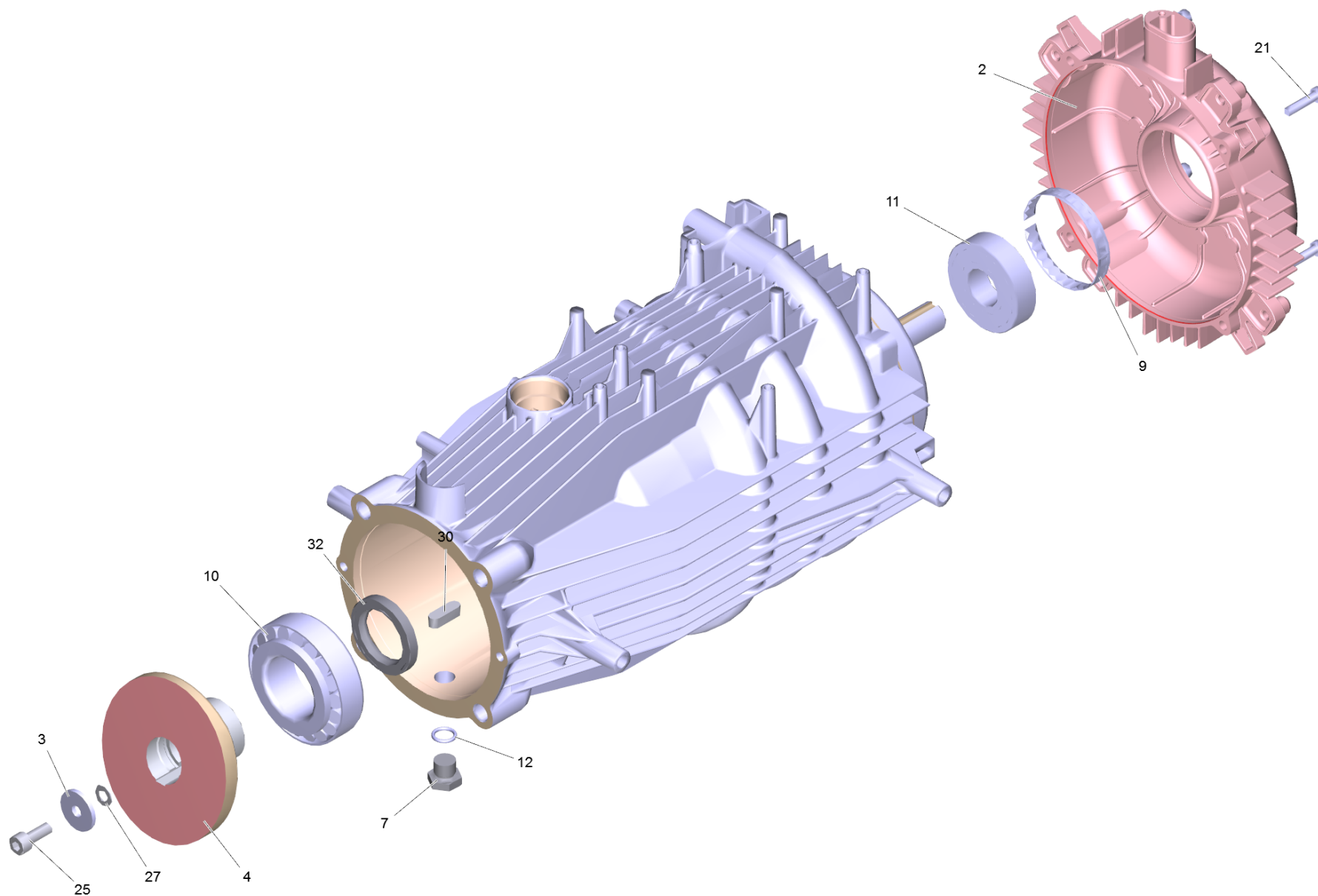
3 Valve complete (4.580-594.0)

POS	Article no.	Description	Quantity	Unit
5	6.362-381.0	O-Ring seal 13x2 - NBR 70	1.000	ST



4 Valve complete (4.580-611.0)

POS	Article no.	Description	Quantity	Unit
50	6.363-003.0	O-Ring seal 13,0 X 2,0-NBR 90	1.000	ST

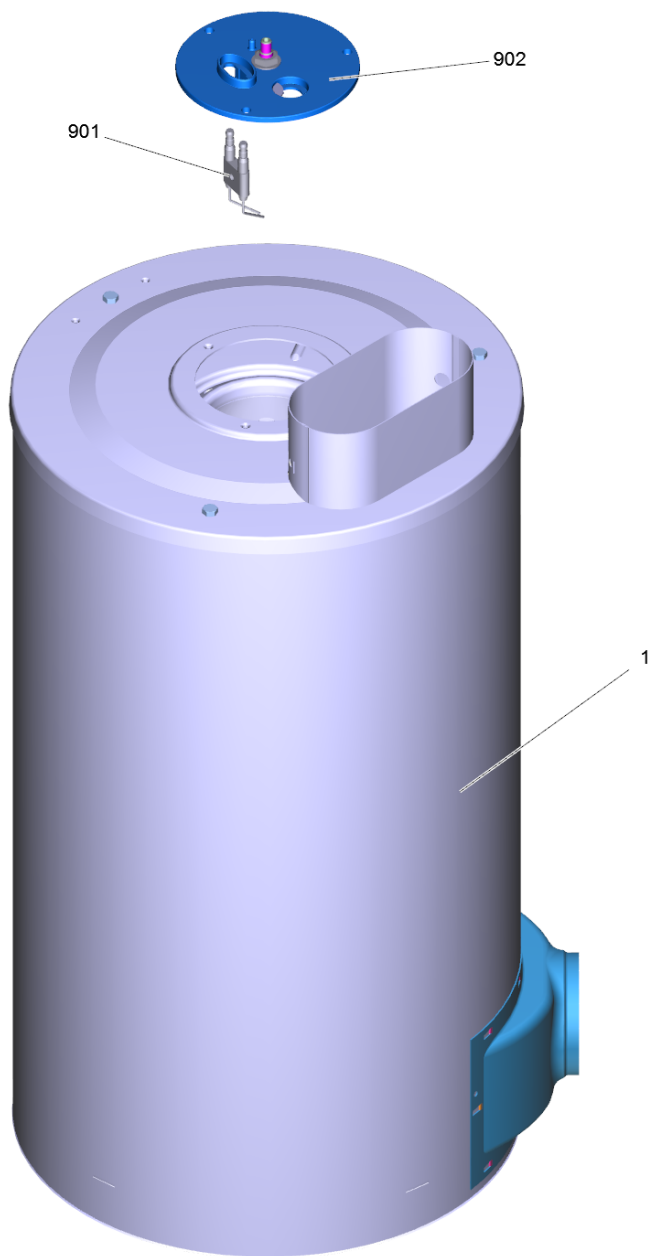


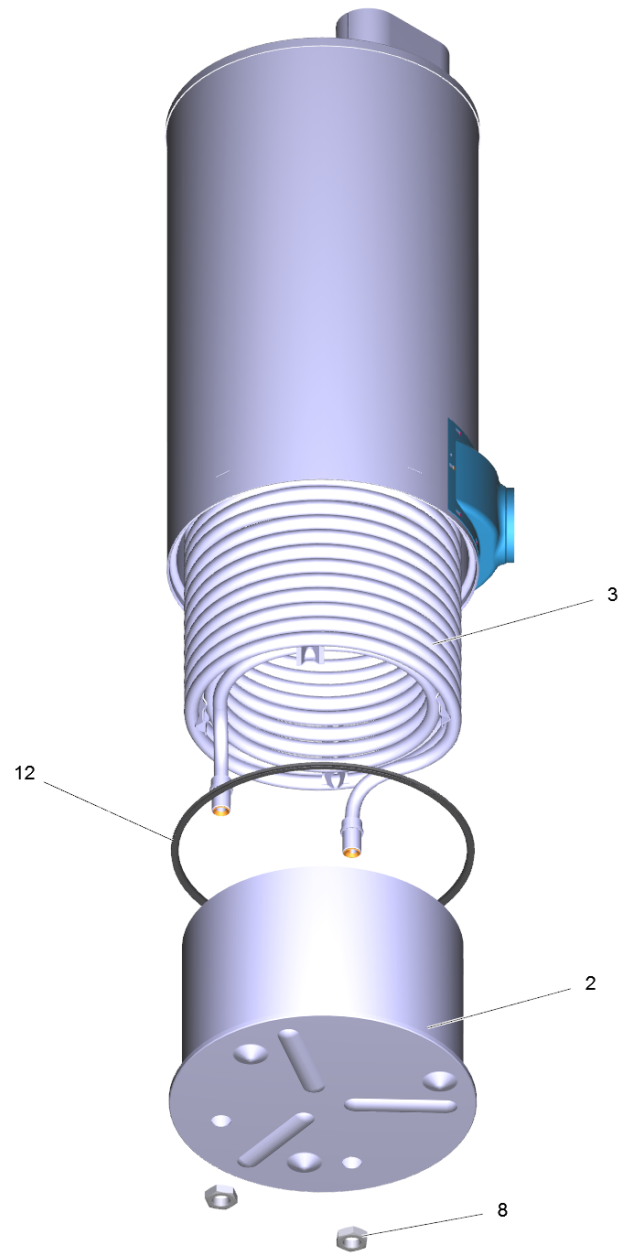
903 Motor complete only for replacement (4.623-921.0)

POS	Article no.	Description	Quantity	Unit
11	6.401-253.0	Ball bearing 6305-2Z	1.000	ST
2	5.064-006.0	Bearing cover B	1.000	ST
25	7.306-041.0	Cylinder head screw M8x20 -8.8-A2E ISO	1.000	ST
12	6.362-028.0	O-Ring seal 11x2,2 NBR 70	1.000	ST
30	7.318-035.0	Parallel key 8x7x25 -C45K DIN 6885-1	1.000	ST
6		Piece of tube	2.000	ST
32	7.367-009.0	Radial shaft seal ring A35x52x7-NBR DIN	1.000	ST
7	5.411-100.0	Screw plug	1.000	ST
21	6.303-515.0	Self-tapping screw M6x25	4.000	ST
10	6.401-225.3	Taper roller bearing 41	1.000	ST
9	6.343-010.0	Tolerance ring 62x10	1.000	ST
27	7.312-159.0	Toothed lock washer A8,4-FST-PH DIN 679	1.000	ST
3	5.115-565.0	Washer	1.000	ST
4	5.120-353.3	Wobble plate	1.000	ST

6 Piece of tube

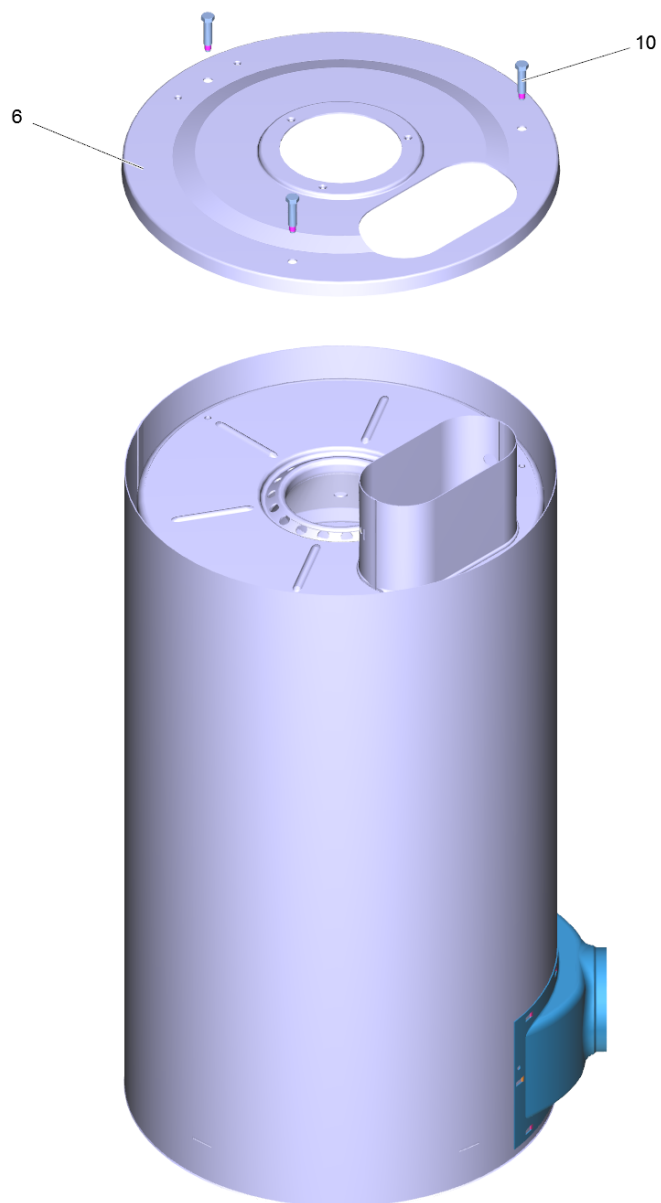
POS	Article no.	Description	Quantity	Unit
1	6.642-043.0	Insulating hose 10	0.090	M
1	6.642-043.0	Insulating hose 10	0.090	M





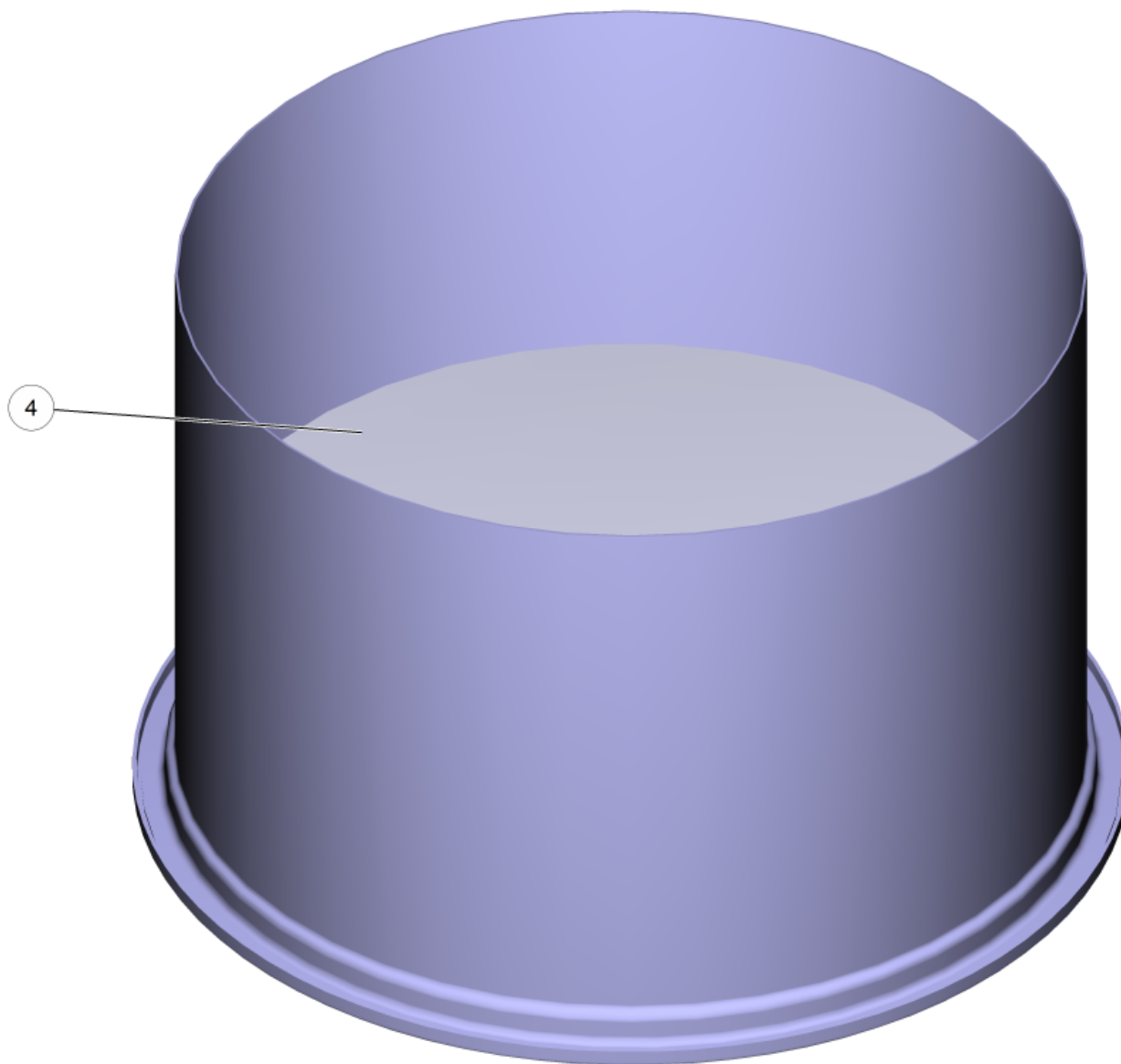
7 Boiler

POS	Article no.	Description	Quantity	Unit	Foot note text
2	4.655-048.0	Bottom pressure boiler	1.000	ST	
901	2.638-974.0	Conversion kit ignition electrode	1.000	ST	
902	4.654-218.0	Cover plate pressure boiler	1.000	ST	
3	4.680-144.0	Heating coil	1.000	ST	
3	4.680-149.0	Heating coil VA	1.000	ST	STAINLESS STEEL CONSTRUCTION
8	7.311-112.0	Hexagon nut M22X1,5 -22H-A2E DIN 936	2.000	ST	
12	6.366-039.0	Seal string	1.000	ZST	
1	4.652-143.0	Vessel mantel complete	1.000	ST	



1 Vessel mantel complete (4.652-143.0)

POS	Article no.	Description	Quantity	Unit
6	5.654-079.0	Cover plate pressure boiler external	1.000	ST
10	6.303-258.0	Self-tapping screw	3.000	ST

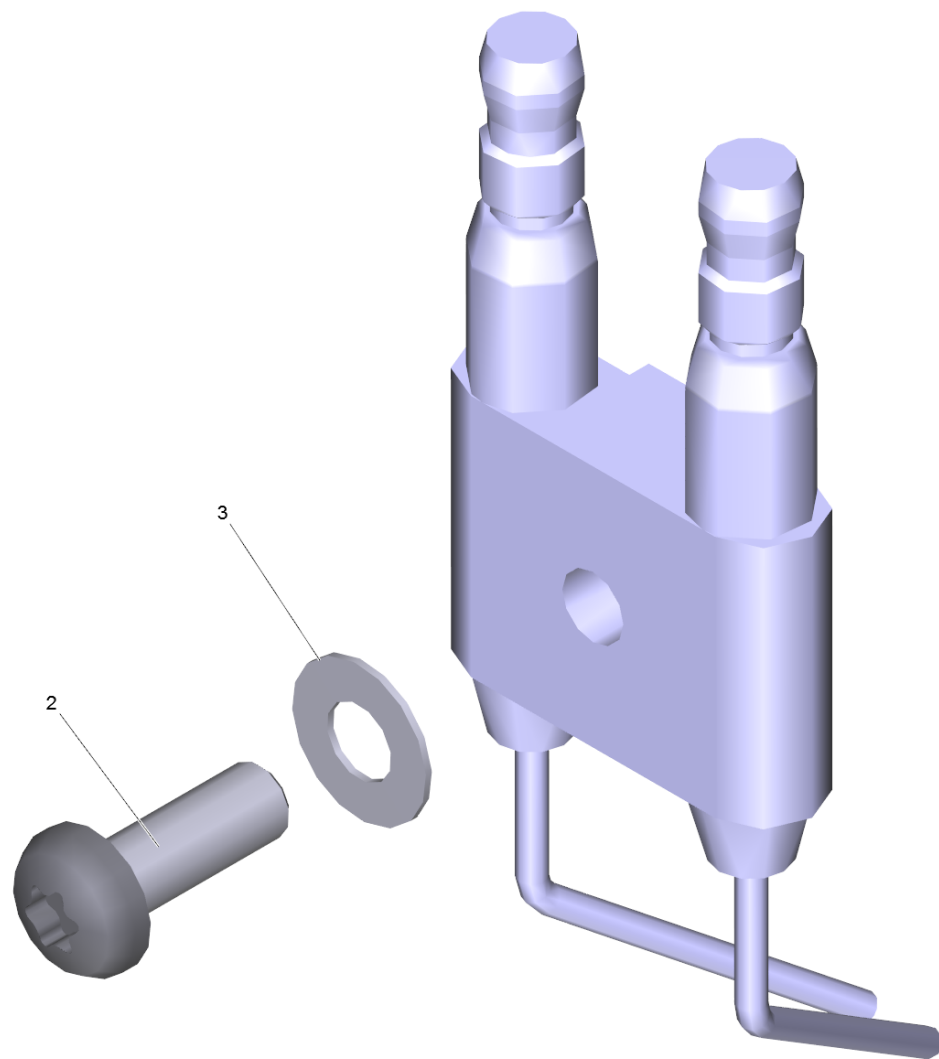


2 Bottom pressure boiler (4.655-048.0)

POS	Article no.	Description	Quantity	Unit
4	2.889-061.0	Refractory material 8kg	1.000	ST

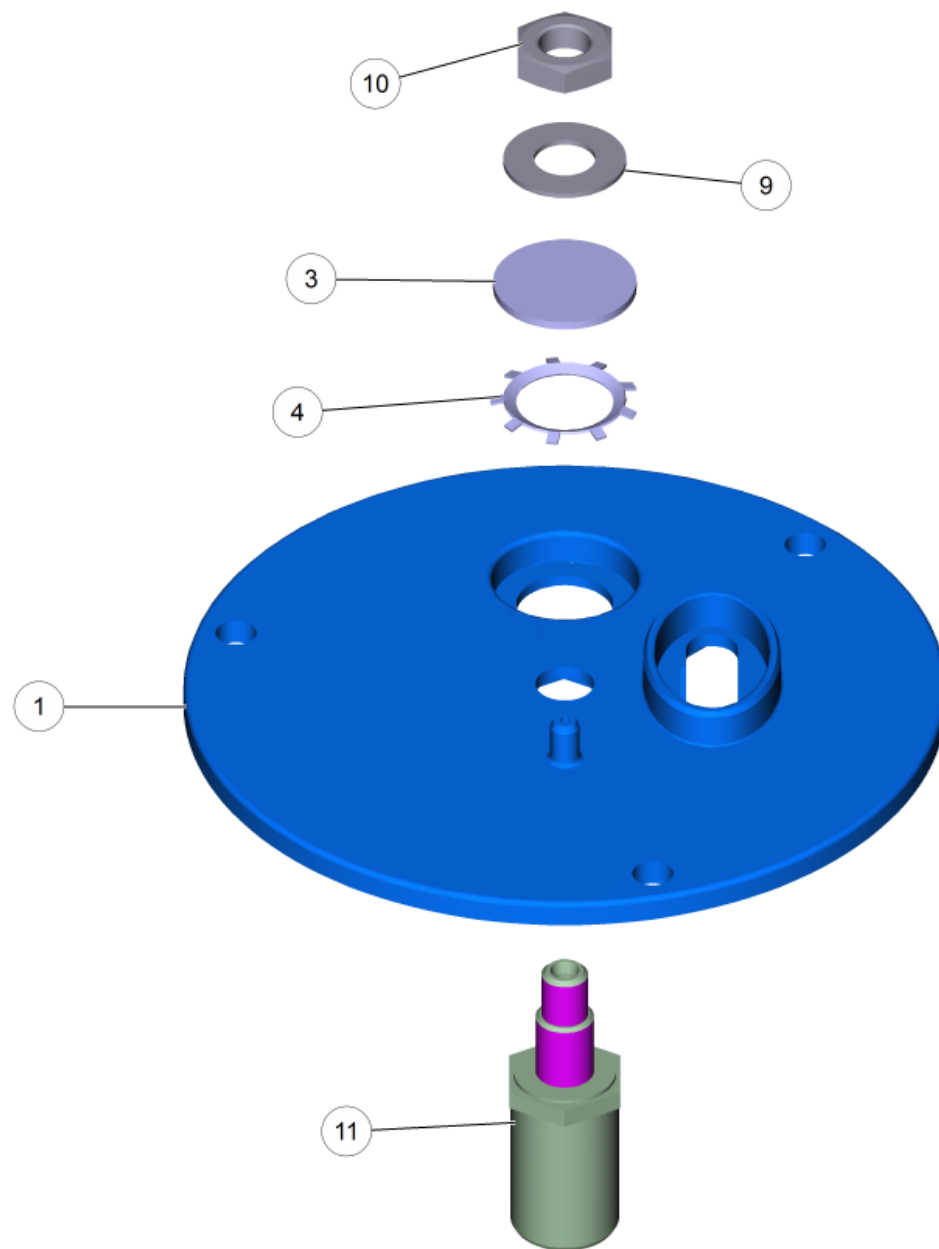
3 Heating coil (4.680-144.0)

POS	Article no.	Description	Quantity	Unit
999	5.363-360.0	Seal	2.000	ST



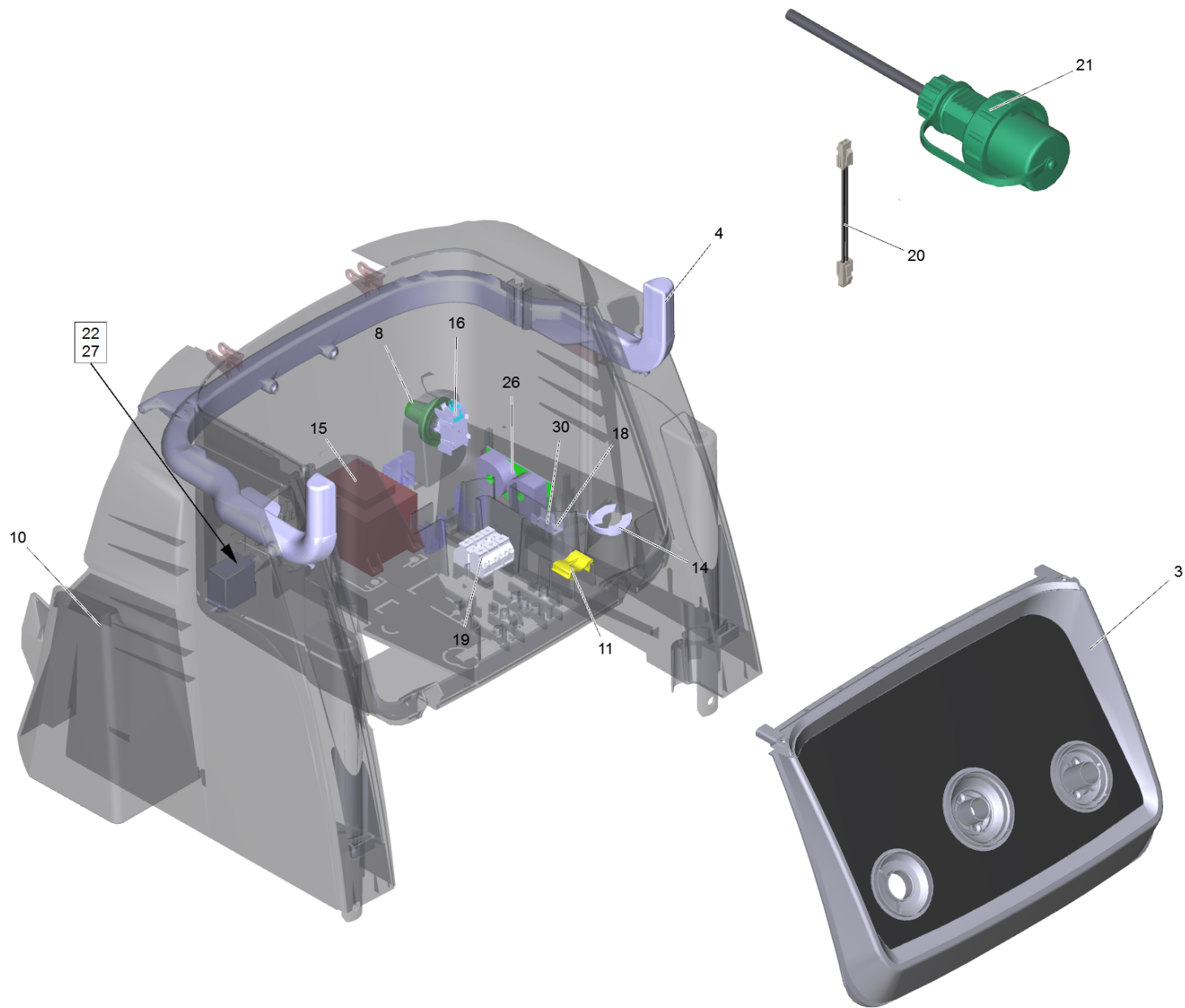
901 Conversion kit ignition electrode (2.638-974.0)

POS	Article no.	Description	Quantity	Unit
2	7.306-217.0	Screw M5x14 -8.8-R2R (In6Rd)	1.000	ST
3	7.312-304.0	Spring washer B 5-FST-A2E DIN 137	1.000	ST



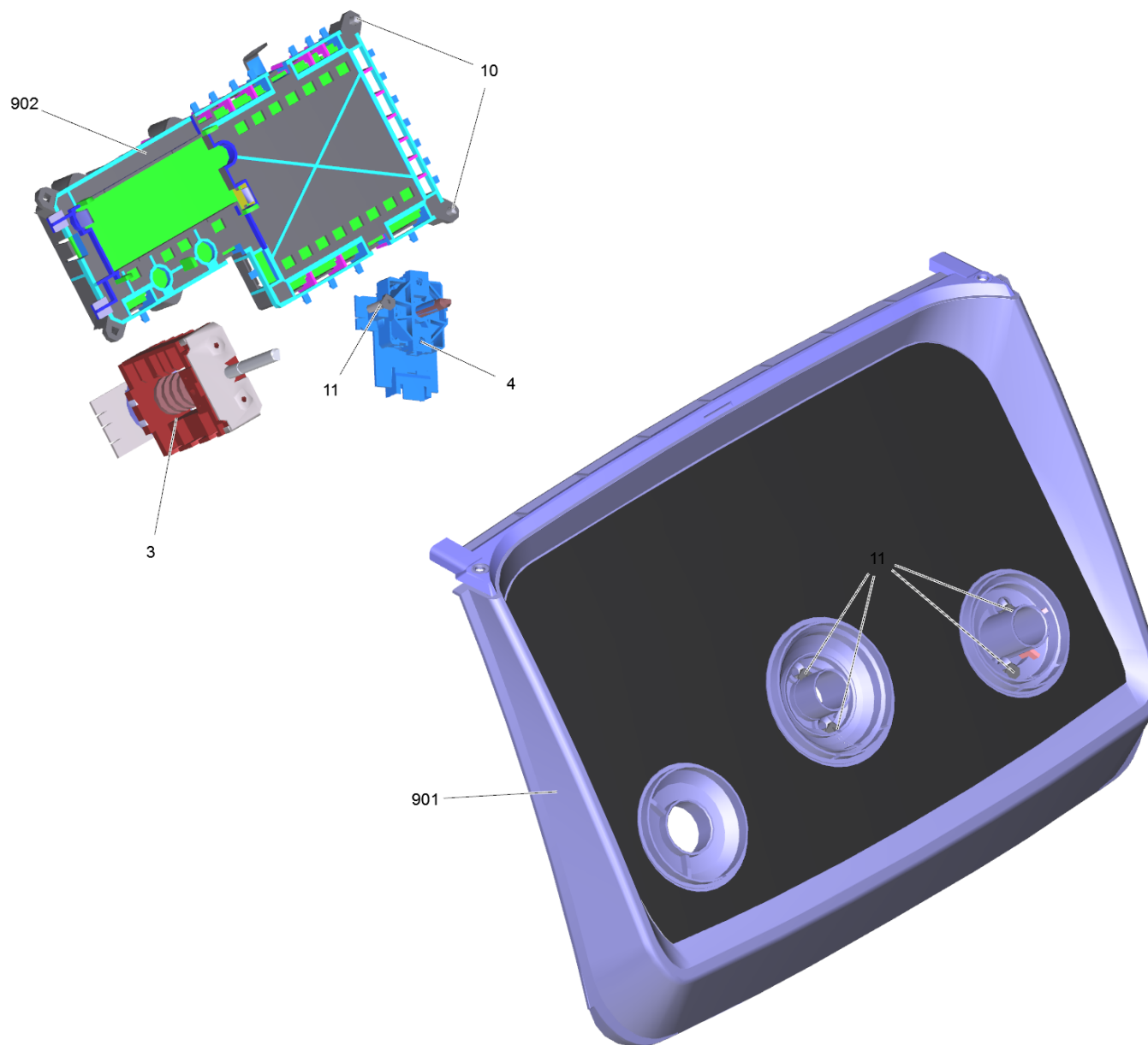
902 Cover plate pressure boiler (4.654-218.0)

POS	Article no.	Description	Quantity	Unit
1	5.662-022.0	Burner cover	1.000	ST
3	6.278-018.0	Glass pane	1.000	ST
10	7.311-101.0	Hexagon nut M10x1 -04-A2E ISO 8675	1.000	ST
11	5.667-055.0	Nozzle holder	1.000	ST
4	6.343-165.0	Serrated ring	1.000	ST
9	7.312-302.0	Spring washer B10-FST-A2E DIN 137	1.000	ST



8 Electric control box

POS	Article no.	Description	Quantity	Unit
22	6.649-383.0	Cable 2x0,35 700mm	1.000	ST
20	6.649-533.0	Cable 3xAWG22 500mm	1.000	ST
21	6.649-380.0	Cable with plug 4x2,5mm ²	1.000	ST
26	6.682-881.0	Circuit board current transformer	1.000	ST
3		Control panel kpl.	1.000	ST
15	6.622-283.3	Control transformer	1.000	ST
8	5.324-172.0	Handle qusty grey RAL 7037	1.000	ST
11	5.802-307.0	Holder cable	1.000	ST
14	6.343-186.0	Locking ring	1.000	ST
10	5.801-151.0	Mounting plate	1.000	ST
18	6.641-270.0	Plug	1.000	ST
4	5.033-111.0	Profile	1.000	ST
30	7.303-106.0	Screw 4x12 -10.9-R2R (IN6RD)	1.000	ST
16	6.630-423.0	Switch service	1.000	ST
19	6.644-364.0	Terminal clamp four-core triple-pole	1.000	ST
27	4.686-029.0	Thermostat only for replacement	1.000	ST

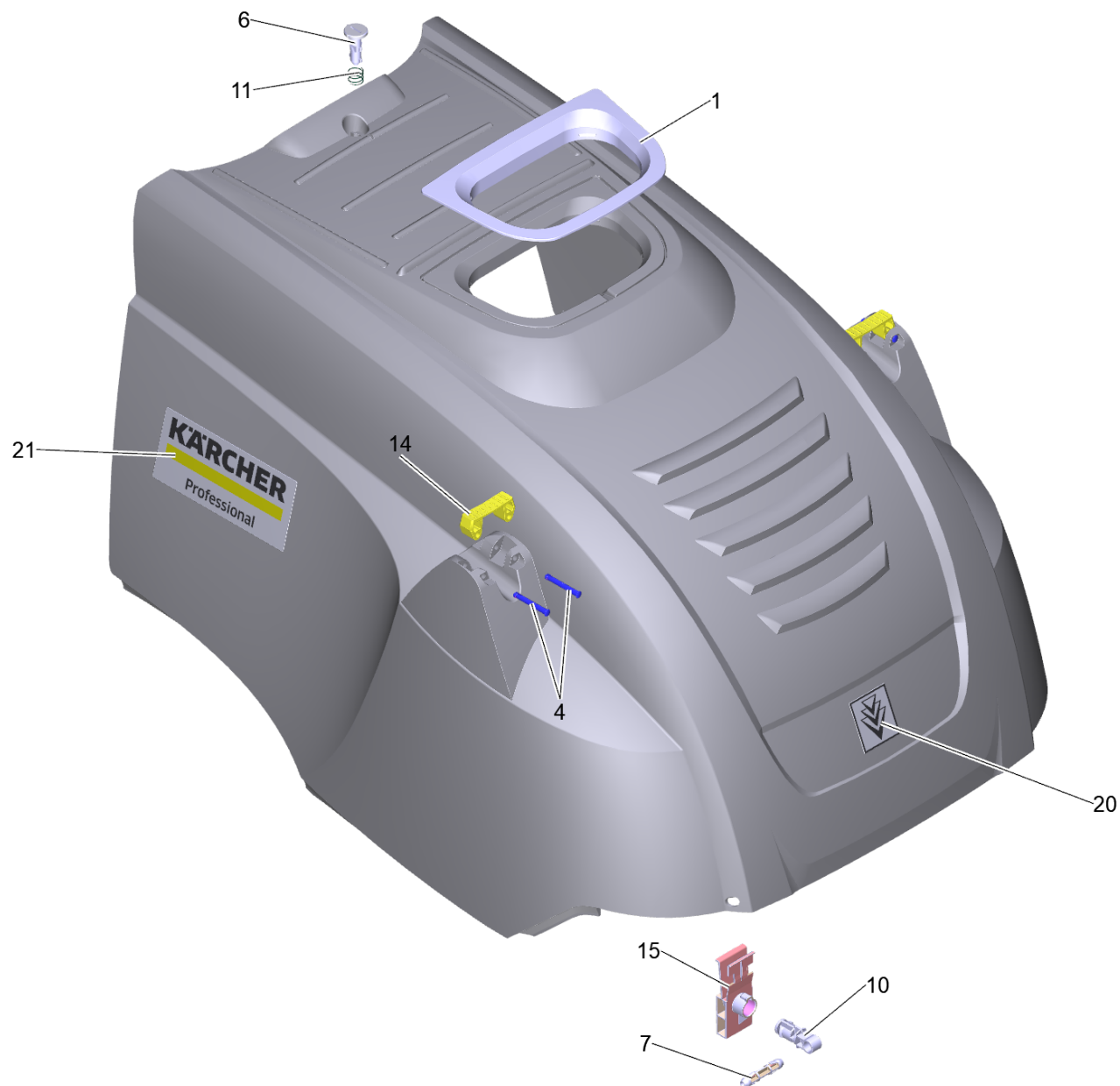


3 Control panel kpl.

POS	Article no.	Description	Quantity	Unit
901	4.841-384.0	Control panel replacement	1.000	ST
11	7.305-019.0	Countersunk screw M4x16 -8.8-R2R (In6Rd	4.000	ST
902	2.885-052.0	Frame circuit board complete	1.000	ST
10	7.303-106.0	Screw 4x12 -10.9-R2R (IN6RD)	2.000	ST
3	6.630-421.3	Switch program selection	1.000	ST
4	6.630-422.0	Switch temperature	1.000	ST

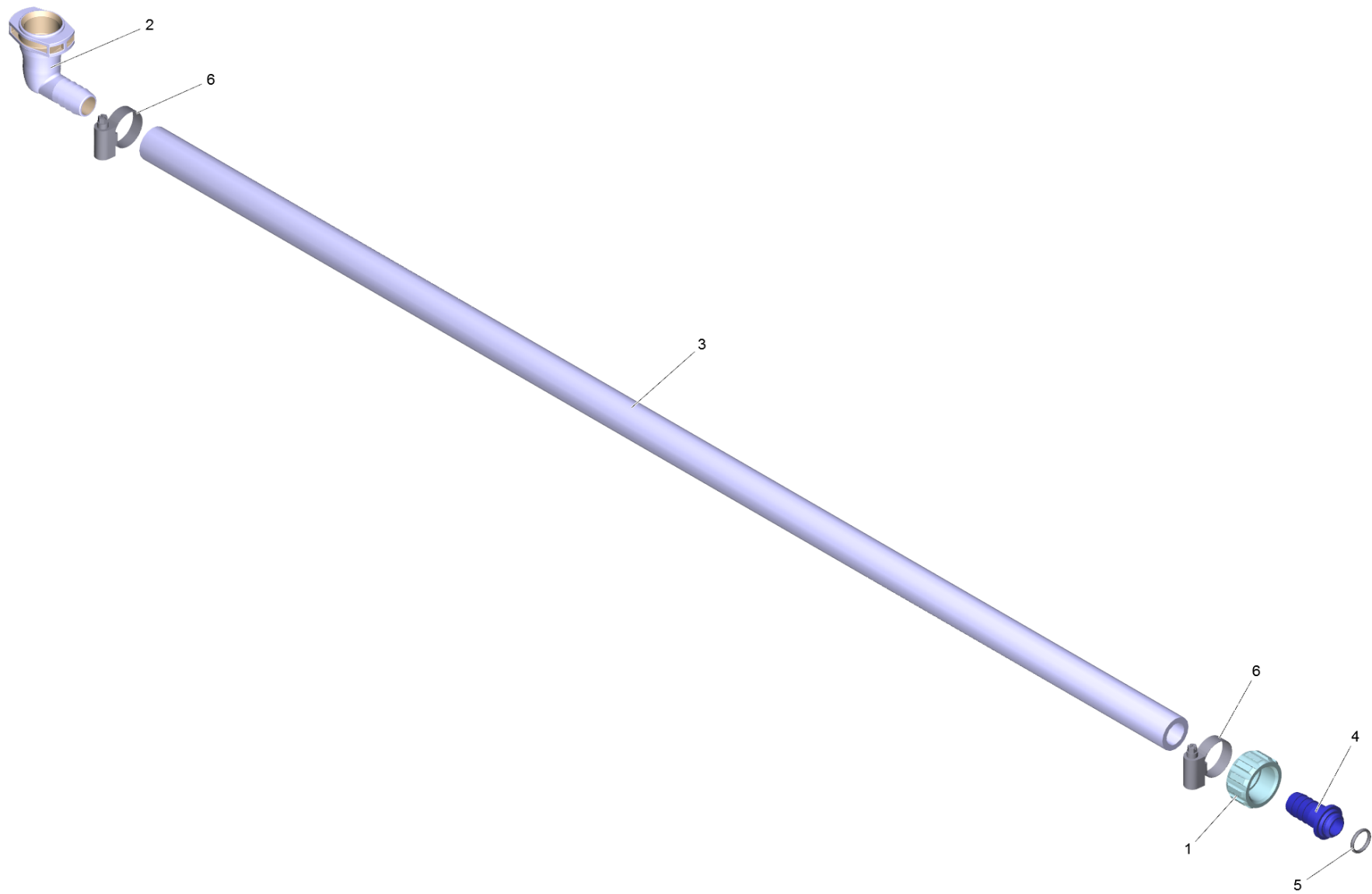
14 Device cover complete only for replaceme (4.066-426.0)

POS	Description	Quantity	Unit
1	Device cover complete basalt grey RAL 70	1.000	ST



1 Device cover complete basalt grey RAL 70

POS	Article no.	Description	Quantity	Unit
7	5.317-291.0	Bolt	2.000	ST
6	5.317-765.0	Bolt closure cover	1.000	ST
10	5.317-779.0	Bolt hinge black	2.000	ST
14	5.424-162.0	Fixing jet pipe	2.000	ST
11	5.332-236.0	Helical spring	1.000	ST
15	5.501-083.0	Hinge cover black	2.000	ST
21	5.385-513.0	Label logo glued XL Professional	2.000	ST
20	5.385-517.0	Label signet glued L Professional	1.000	ST
4	5.314-143.0	Pin fixing jet pipe	4.000	ST
1	5.061-455.0	Sheet metal component	1.000	ST

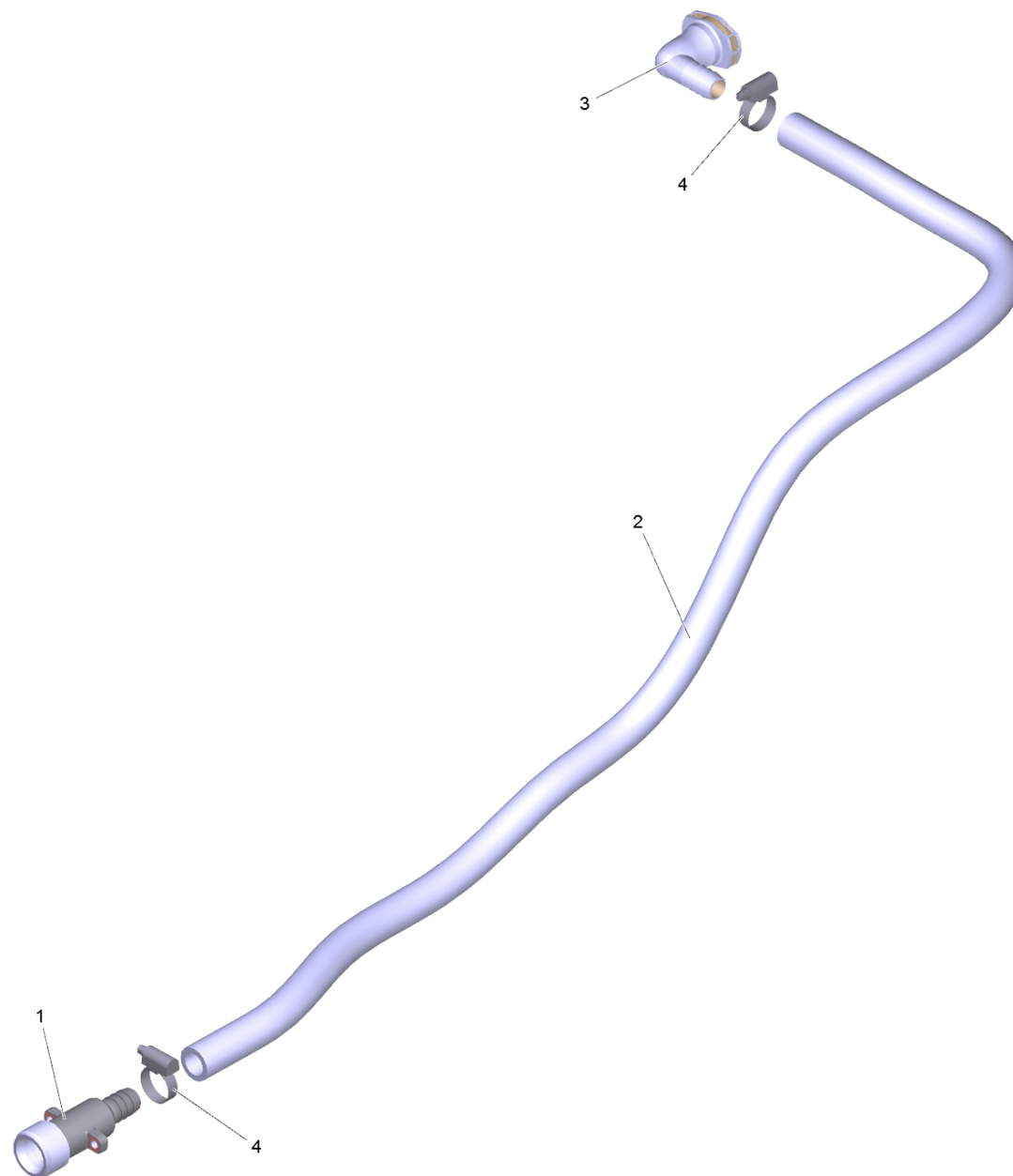


17 Hose float

POS	Article no.	Description	Quantity	Unit
6	7.373-022.0	Hose clip A-16-27x9 -W2-2 DIN3017	2.000	ST
4	5.443-224.0	Hose stem	1.000	ZST
2	5.427-415.0	Manifold	1.000	ST
1	5.310-062.0	Nut	1.000	ST
5	6.362-078.0	O-Ring seal 13,3x2,4	1.000	ST
3		Piece of tube	1.000	ST

3 Piece of tube

POS	Article no.	Description	Quantity	Unit
1	6.388-719.0	Hose DN17	0.910	M

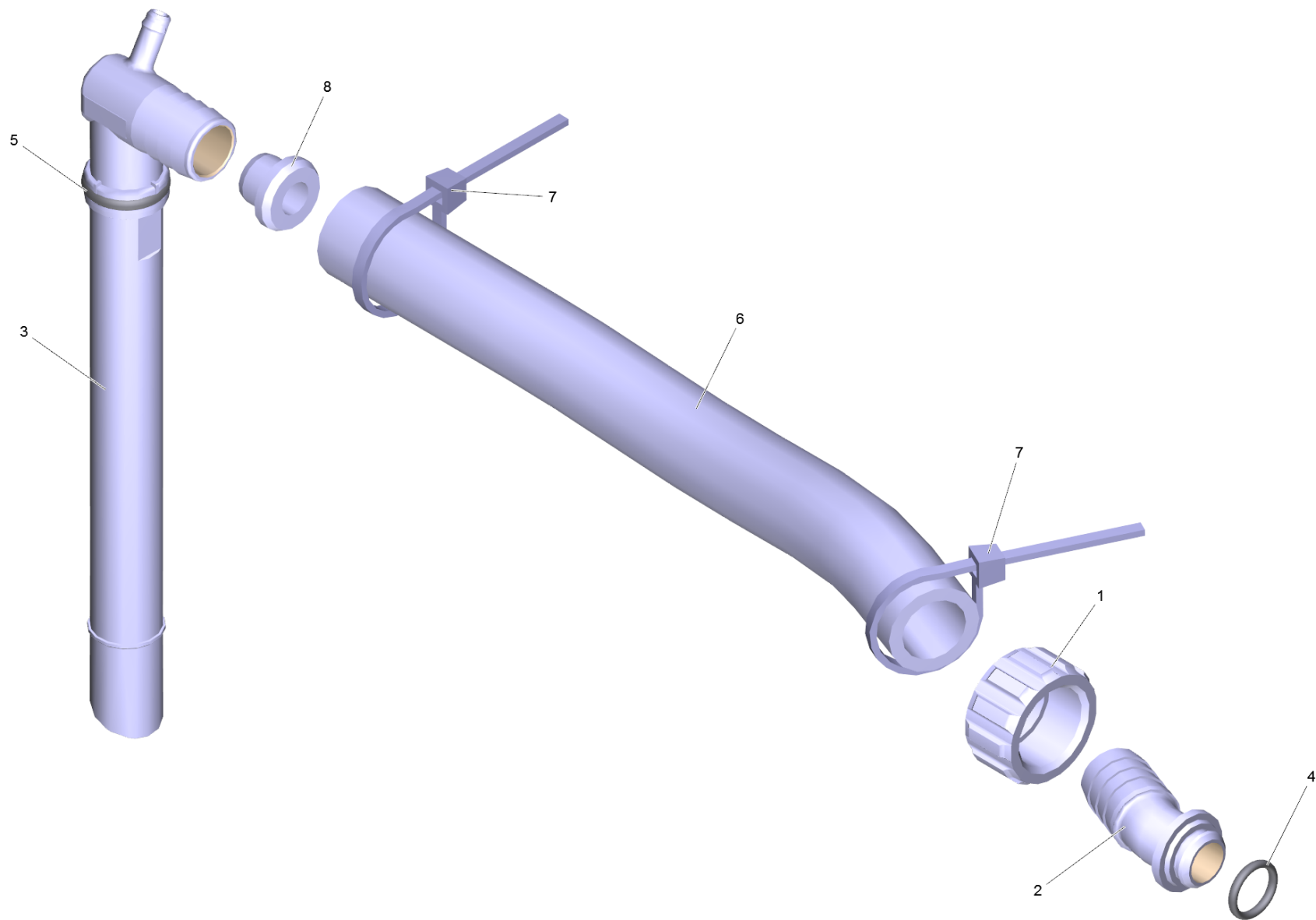


18 Hose water connection 2-Rad (4.440-792.0)

POS	Article no.	Description	Quantity	Unit
4	7.373-022.0	Hose clip A-16-27x9 -W2-2 DIN3017	2.000	ST
3	5.427-415.0	Manifold	1.000	ST
1	5.427-432.0	Manifold	1.000	ST
2		Piece of tube	1.000	ST

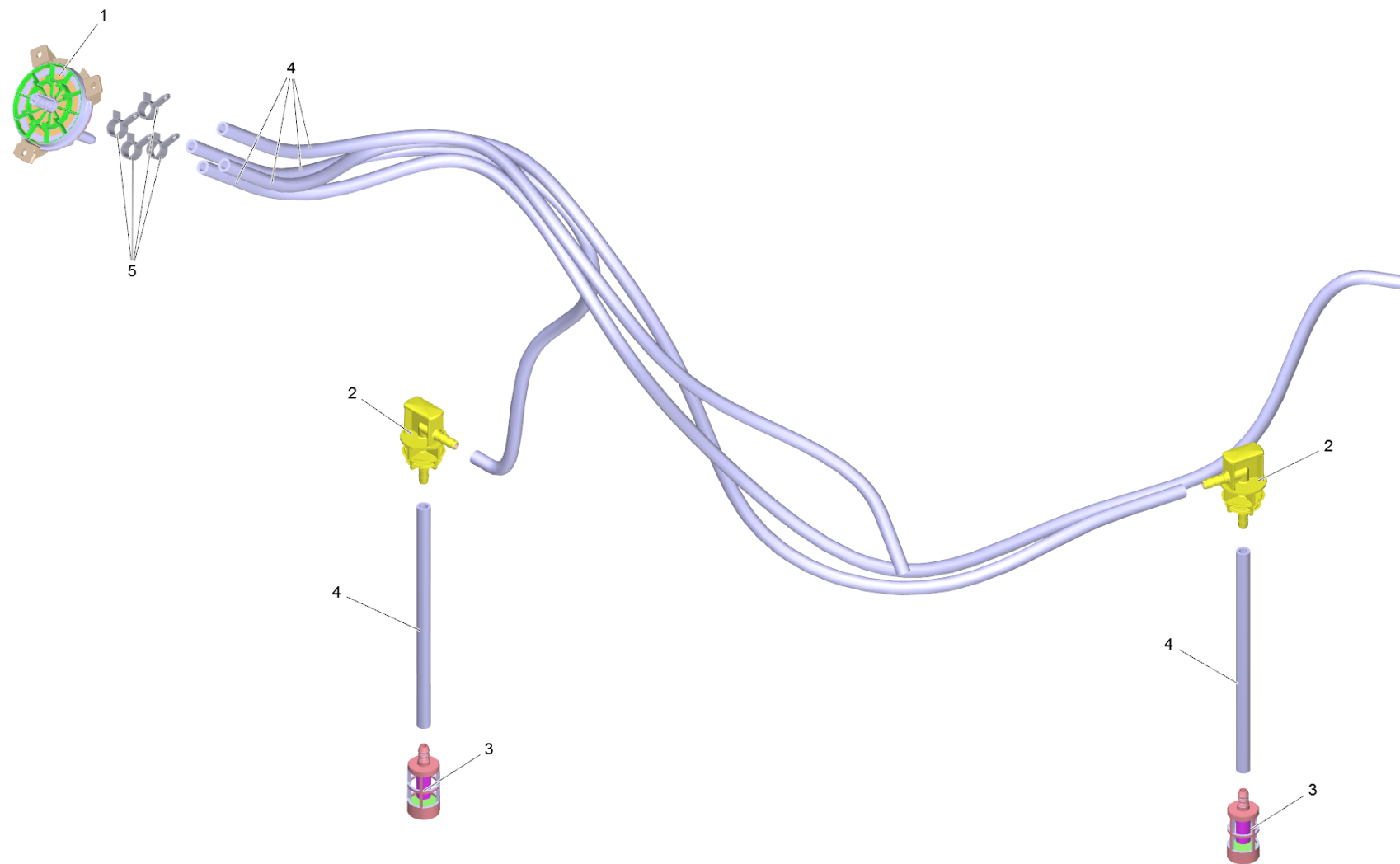
2 Piece of tube

POS	Article no.	Description	Quantity	Unit
1	6.388-719.0	Hose DN17	1.070	M



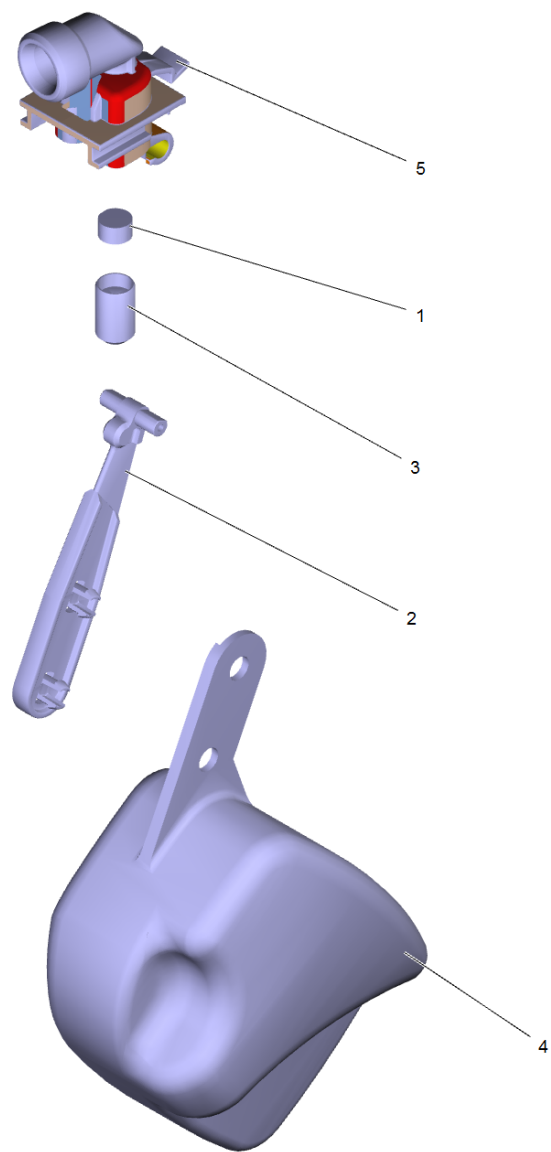
24 Hose float

POS	Article no.	Description	Quantity	Unit
8	5.112-411.0	Bush	1.000	ST
7	6.641-474.0	Cable tape 8-210	2.000	ST
3	5.443-553.0	Connection piece	1.000	ST
2	5.443-365.0	HOSE STEM (HDS555C)	1.000	ST
1	5.310-167.0	Nut G 3/4"	1.000	ST
4	6.362-078.0	O-Ring seal 13,3x2,4	1.000	ST
5	6.362-161.0	O-Ring seal 19,3 X 2,4	1.000	ST
6	6.392-258.0	Piece of tube 19x4x280	1.000	ST



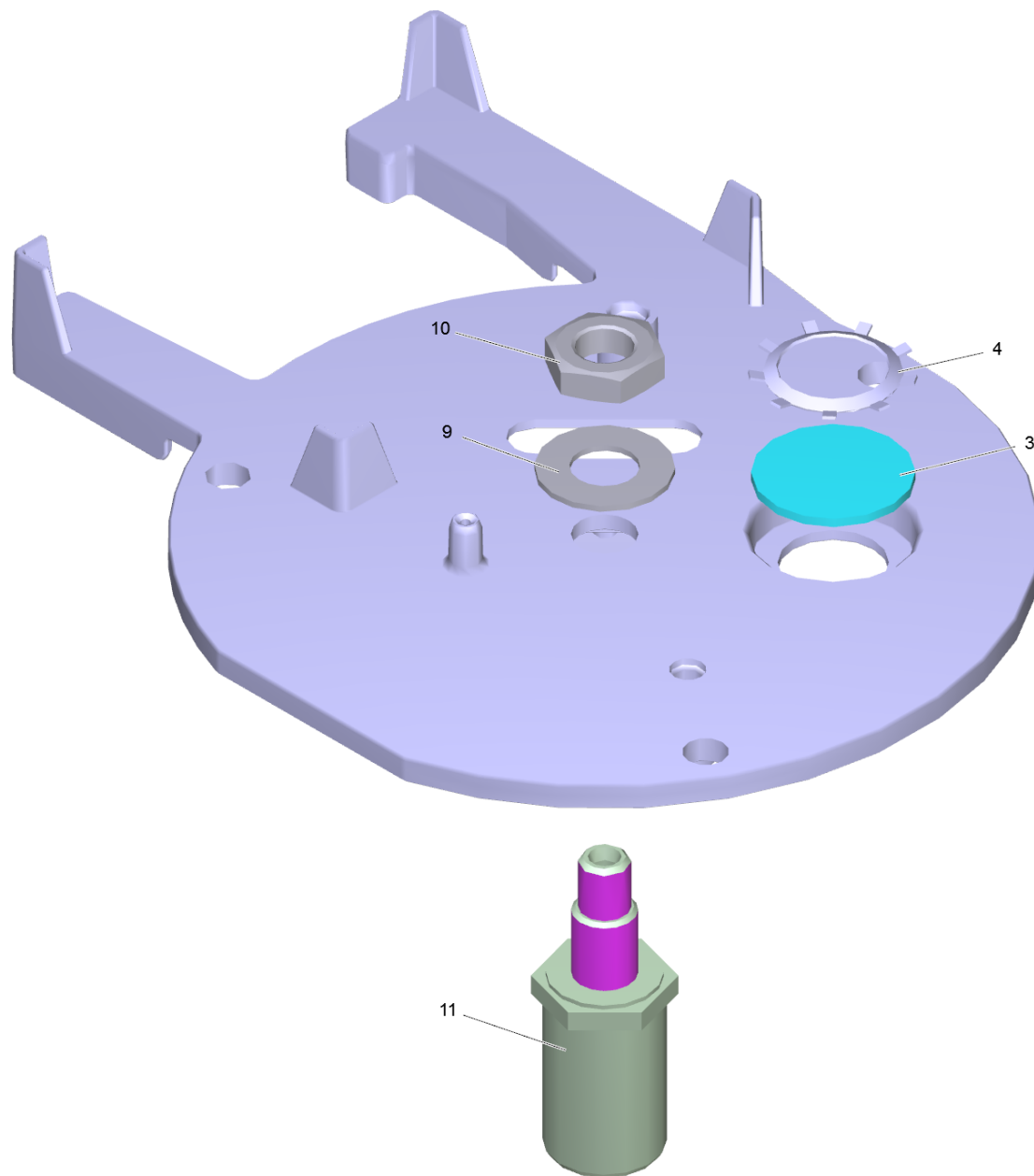
28 Valve cleaning agents complete

POS	Article no.	Description	Quantity	Unit
3	5.731-638.0	Filter with weight	2.000	ST
4	6.391-341.0	Hose chemistry DN 6	4.970	M
5	6.388-559.0	Hose clip	4.000	ST
2	5.132-195.0	Plug aspiration chemistry	2.000	ST
1	4.063-842.0	Proportioning valve chemistry	1.000	ST



30 Float valve

POS	Article no.	Description	Quantity	Unit
1	5.364-095.0	Flat gasket	1.000	ST
4	5.585-030.0	Float	1.000	ST
2	5.481-256.0	Lever	1.000	ST
5	5.587-214.0	Valve housing	1.000	ST
3	5.584-085.0	Valve pin	1.000	ST

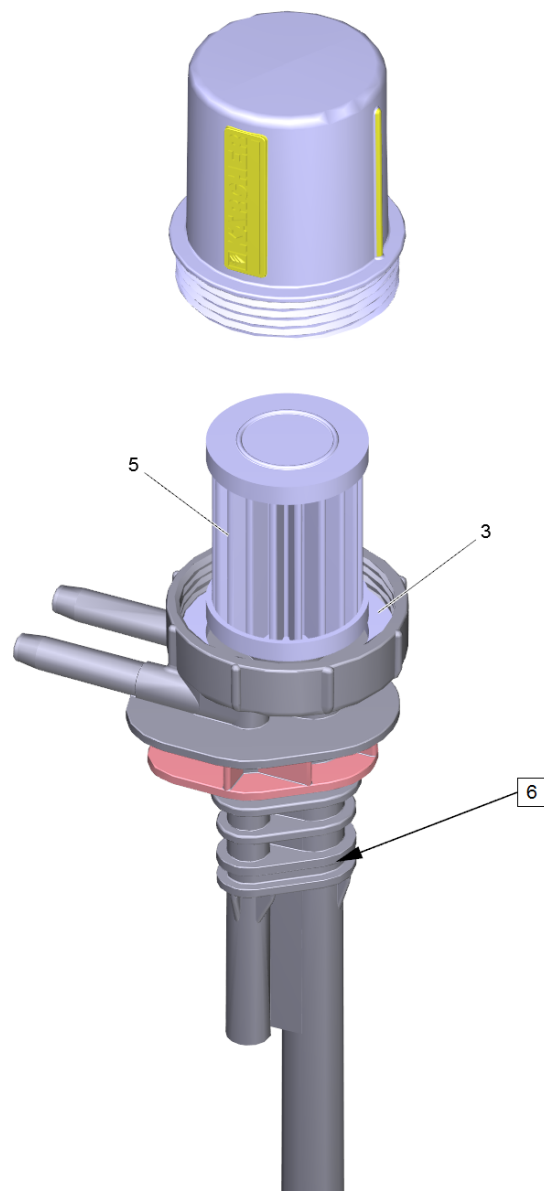


32 Cover pressure boiler only for replaceme (4.654-288.0)

POS	Article no.	Description	Quantity	Unit
3	6.278-018.0	Glass pane	1.000	ST
10	7.311-101.0	Hexagon nut M10x1 -04-A2E ISO 8675	1.000	ST
11	5.667-055.0	Nozzle holder	1.000	ST
4	6.343-165.0	Serrated ring	1.000	ST
9	7.312-302.0	Spring washer B10-FST-A2E DIN 137	1.000	ST

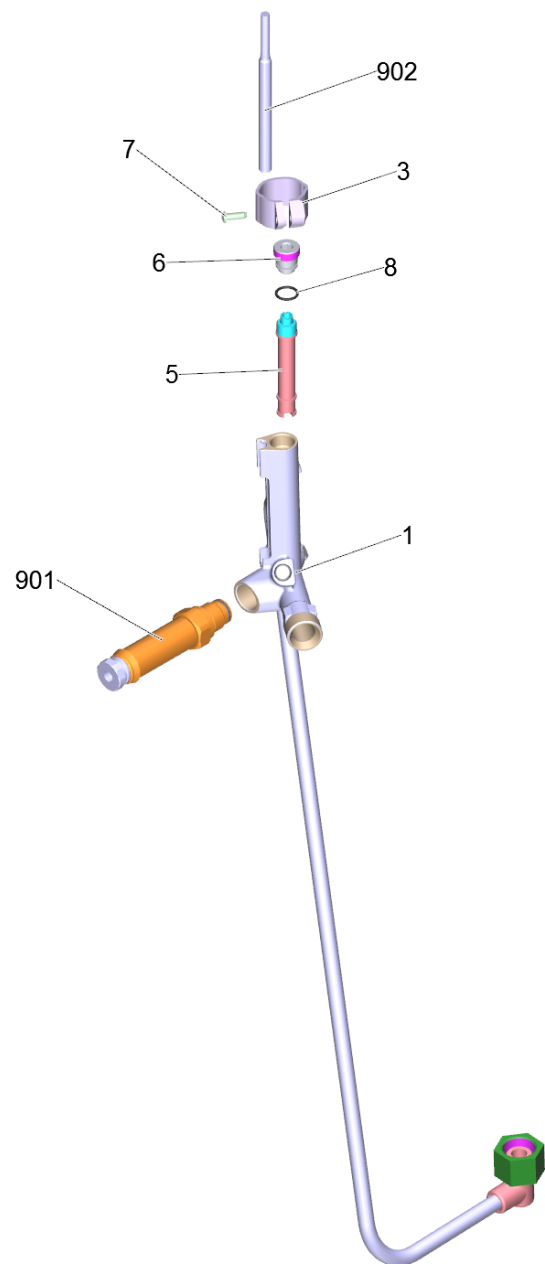
35 Filter complete (4.730-167.3)

POS	Article no.	Description	Quantity	Unit
1	4.730-167.0	Filter complete	1.000	ST



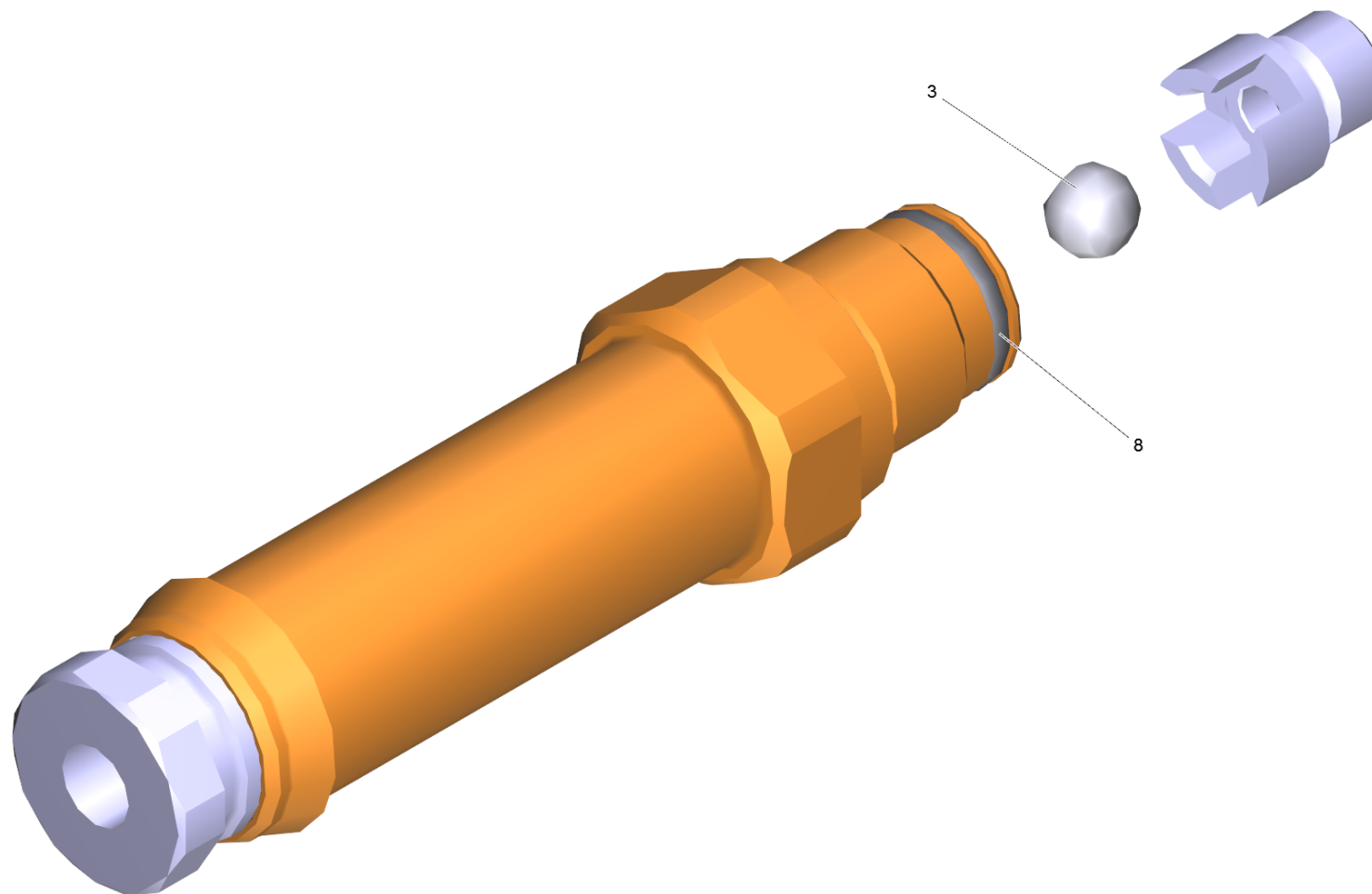
1 Filter complete (4.730-167.0)

POS	Article no.	Description	Quantity	Unit
5	6.414-559.0	Filter fuel	1.000	ST
6	6.362-079.0	O-Ring seal 18,0 X 2,5	1.000	ST
3	5.363-629.0	Seal	1.000	ST



45 Safety system

POS	Article no.	Description	Quantity	Unit
5	4.551-058.0	Cartridge protection against water short	1.000	ST
3	5.041-076.0	Clamp	1.000	ST
7	6.303-122.0	M4 .2X13 DIN 7981 TORX T15 PAN HD HI/LO	1.000	ST
1	4.427-039.0	Manifold complete screw plug	1.000	ST
8	6.362-482.0	O-Ring seal 10 x 1,5-NBR 70	1.000	ST
902	2.885-051.0	Reed switch replacement	1.000	ST
901	4.580-709.0	Safety valve complete replacement	1.000	ST
6	5.305-162.0	Shaped screw	1.000	ST

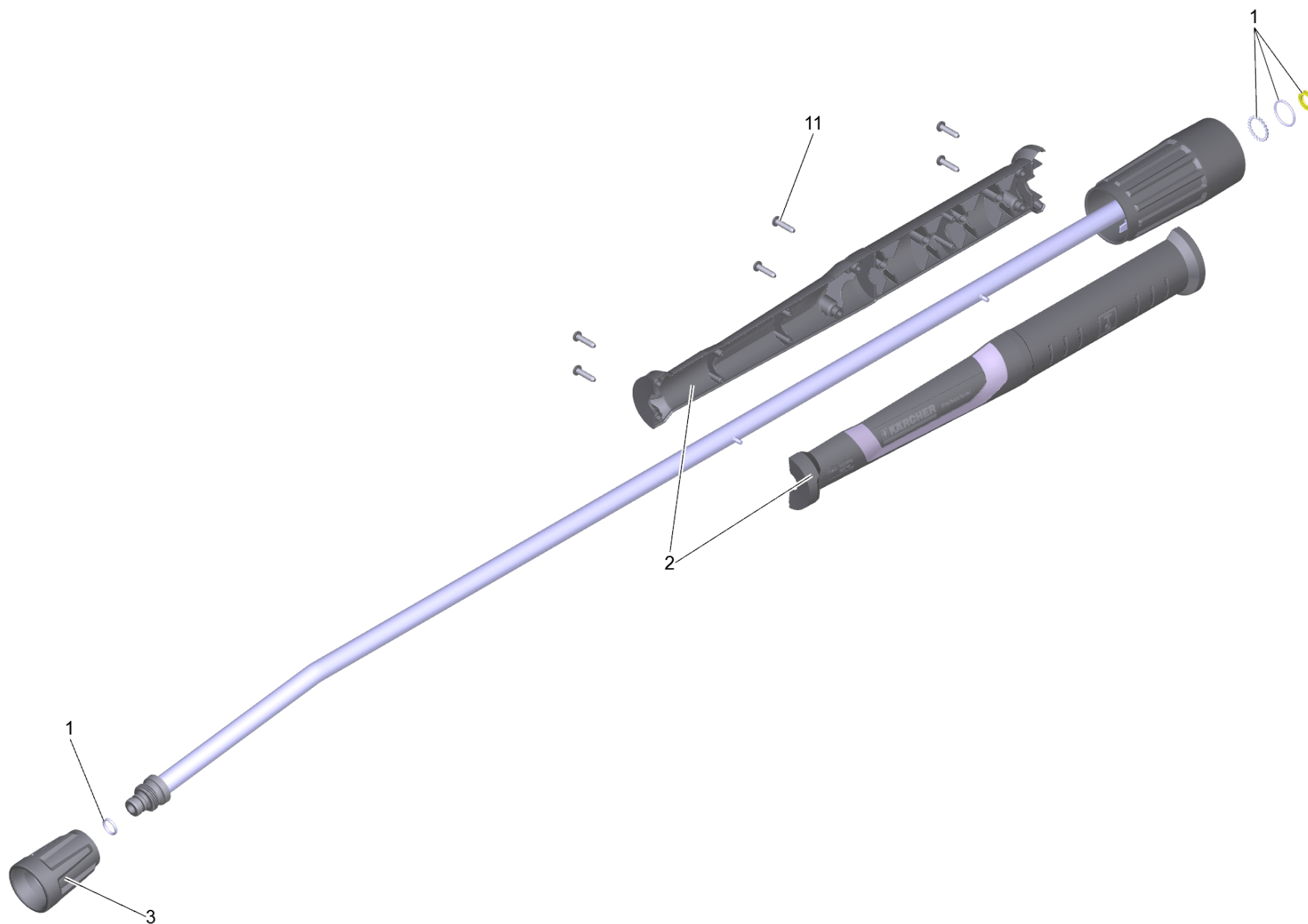


901 Safety valve complete replacement (4.580-709.0)

POS	Article no.	Description	Quantity	Unit
8	6.362-845.0	O-Ring seal 10,82x 1,78	1.000	ST
3	6.401-429.0	Sphere polyamide 8mm	1.000	ST

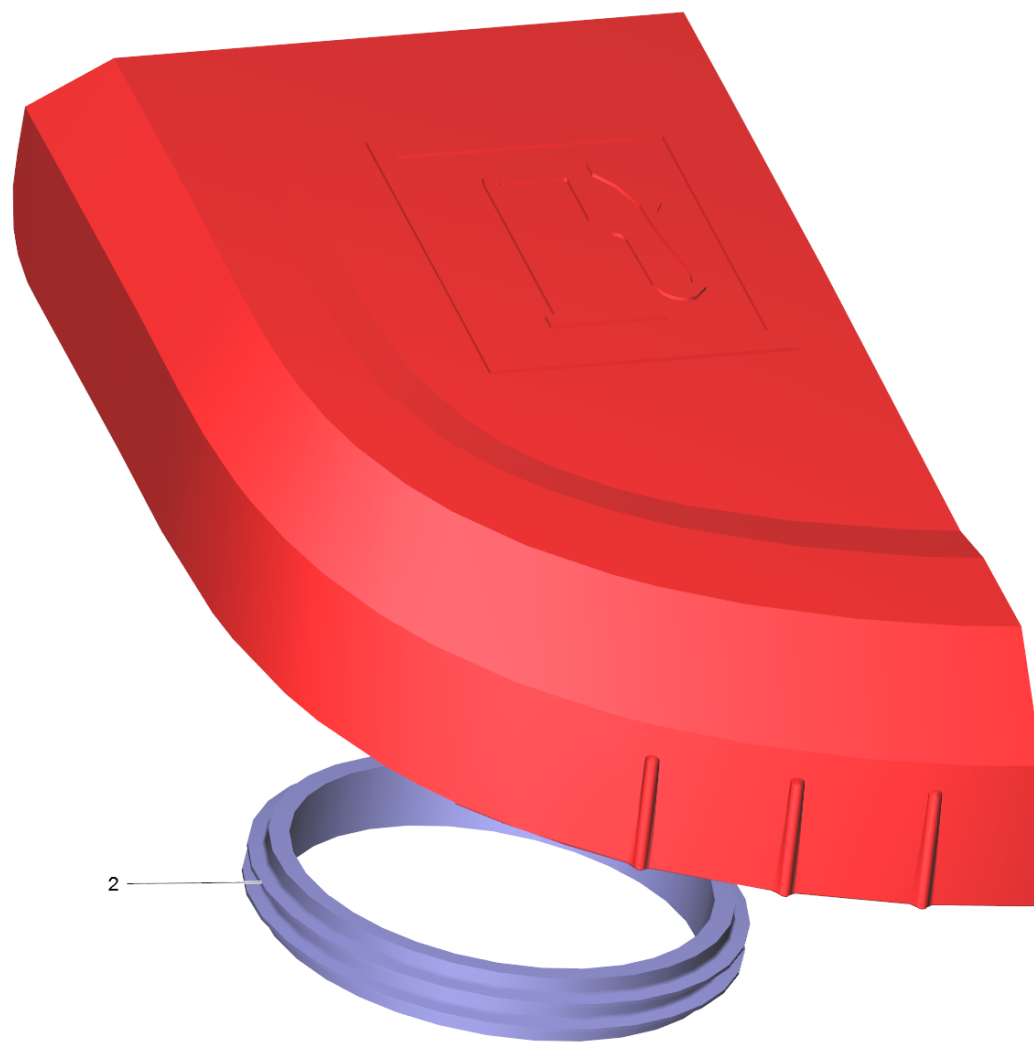
46 Jet pipe TR 1050 mm (4.112-000.0)

POS	Article no.	Description	Quantity	Unit
1	4.112-012.0	Jet pipe TR 1050 mm	1.000	ST



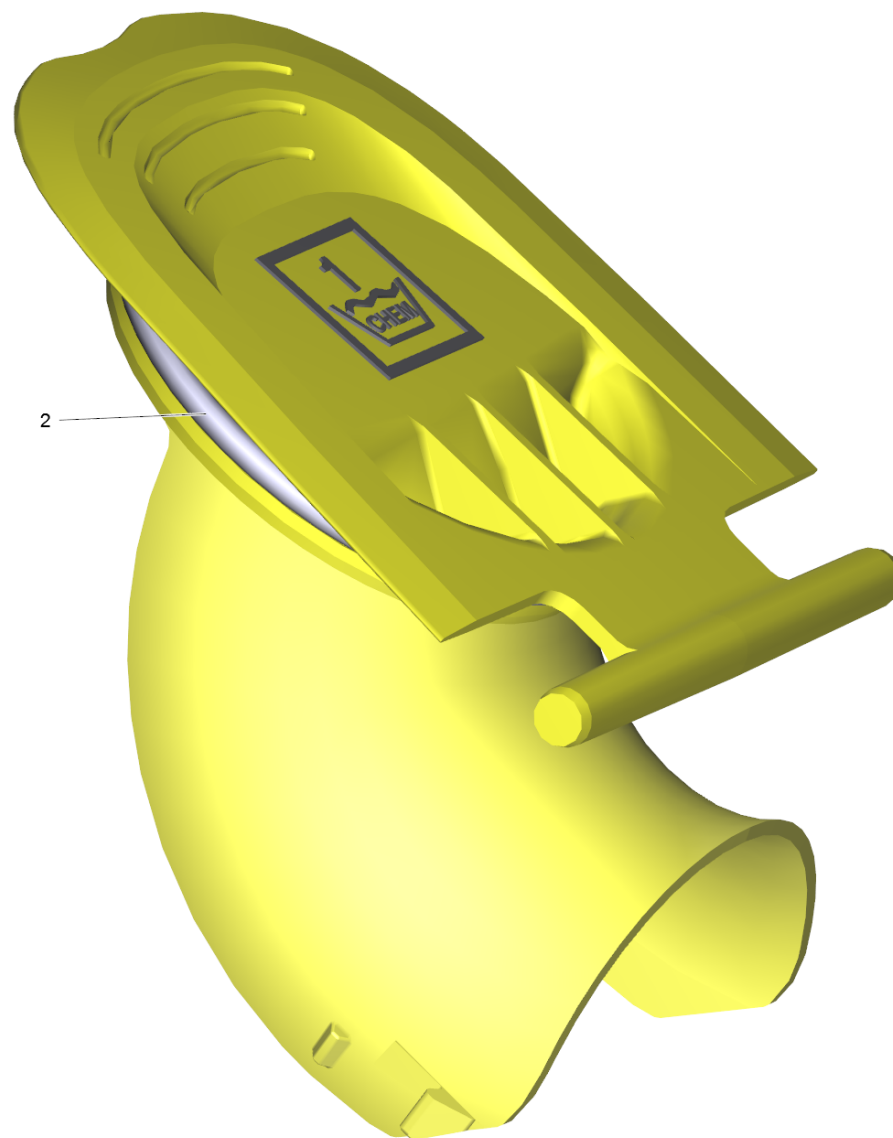
1 Jet pipe TR 1050 mm (4.112-012.0)

POS	Article no.	Description	Quantity	Unit
2	5.321-018.3	Handle bowl jet pipe only for replacemen	1.000	ST
3	4.112-011.0	Protection part TR only for replacement	1.000	ST
11	7.303-129.0	Screw 4x16 -10.9-R2R (K-In6Rd)	6.000	ST
1	4.100-688.0	Spare part set seal TR	1.000	ST



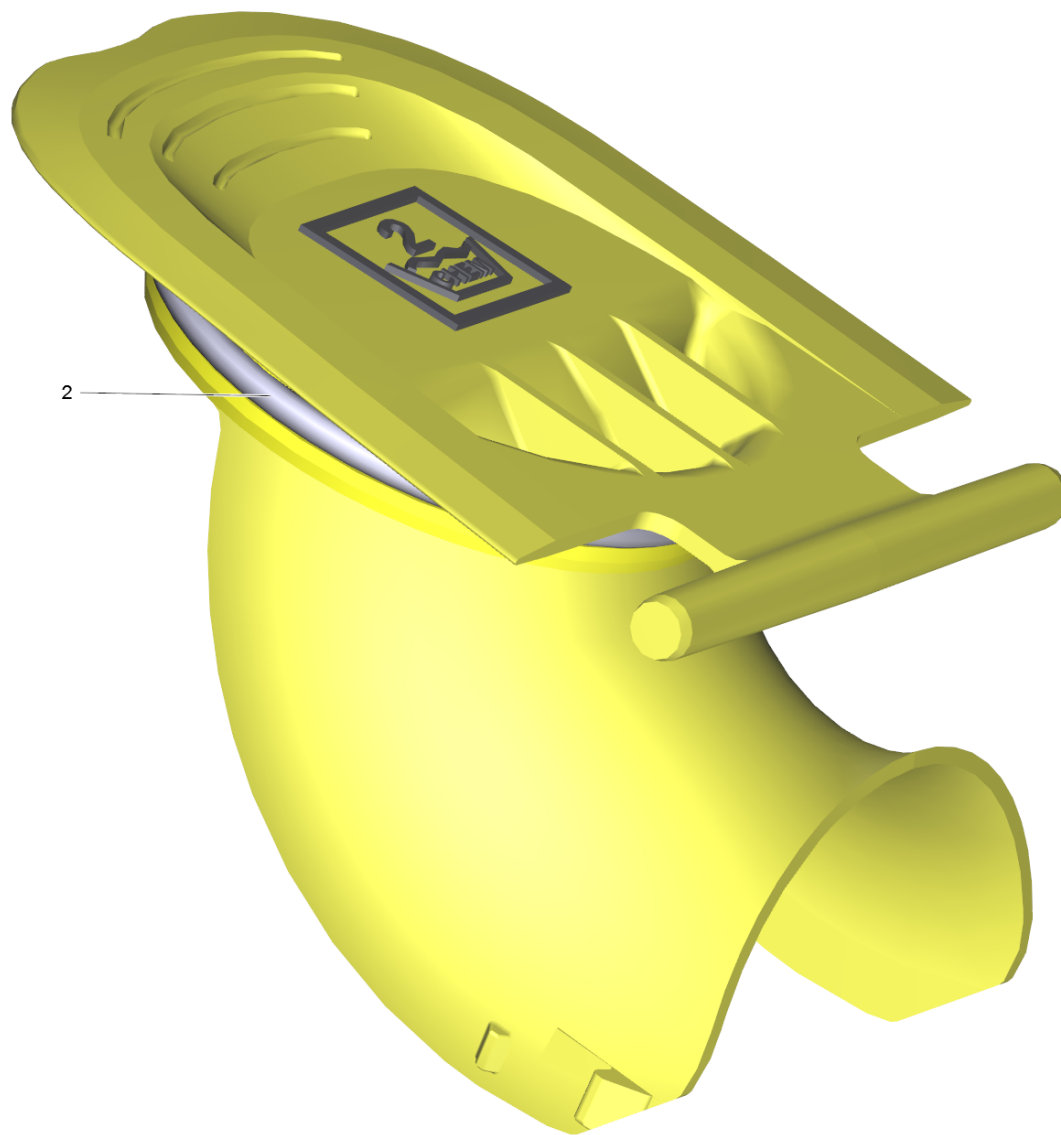
69 Cover fuel complete (4.064-013.0)

POS	Article no.	Description	Quantity	Unit
2	5.363-300.0	Joint ring	1.000	ST



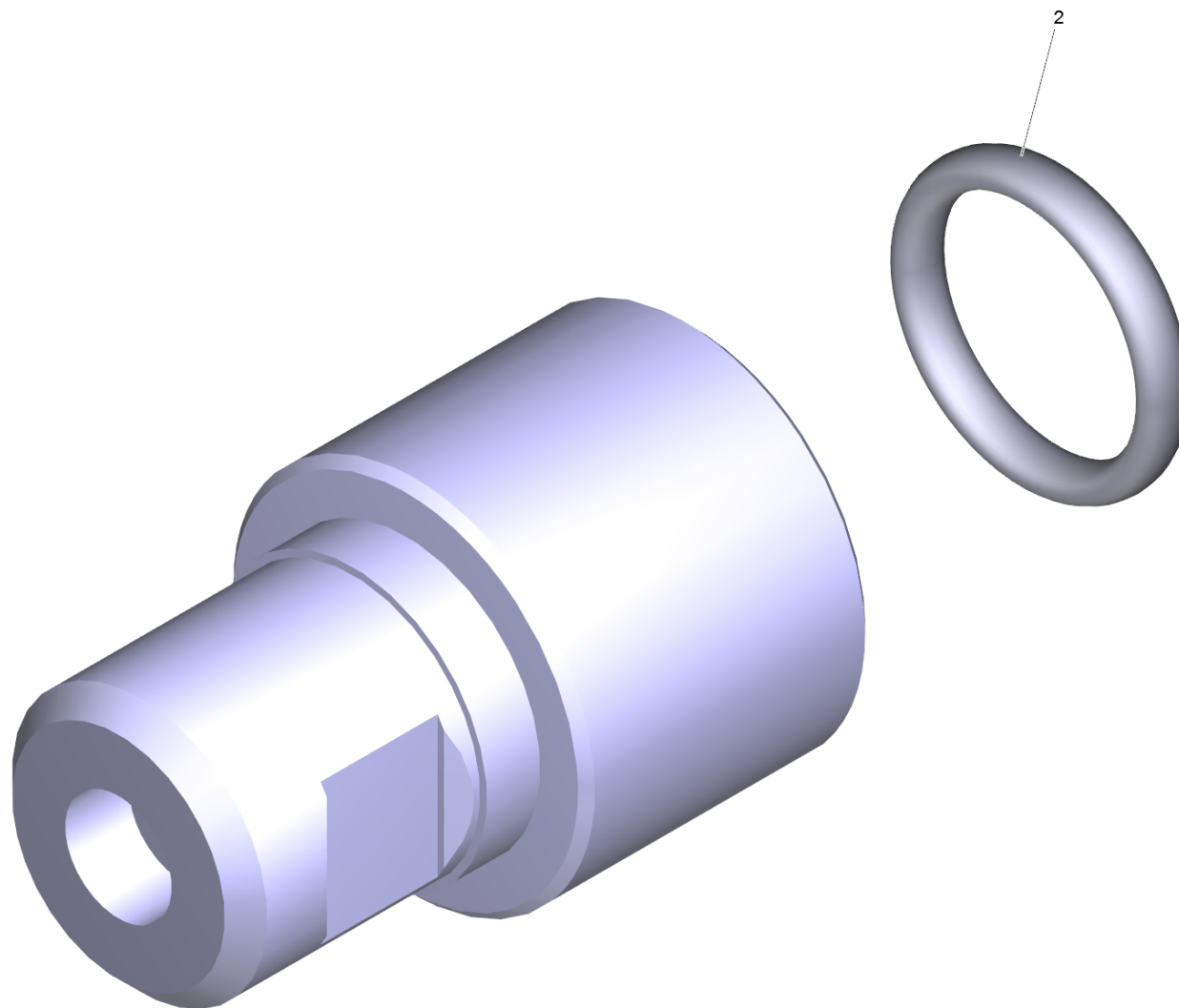
70 Cover complete Chem 1

POS	Article no.	Description	Quantity	Unit
2	6.363-443.0	O-Ring seal 75x5	1.000	ST



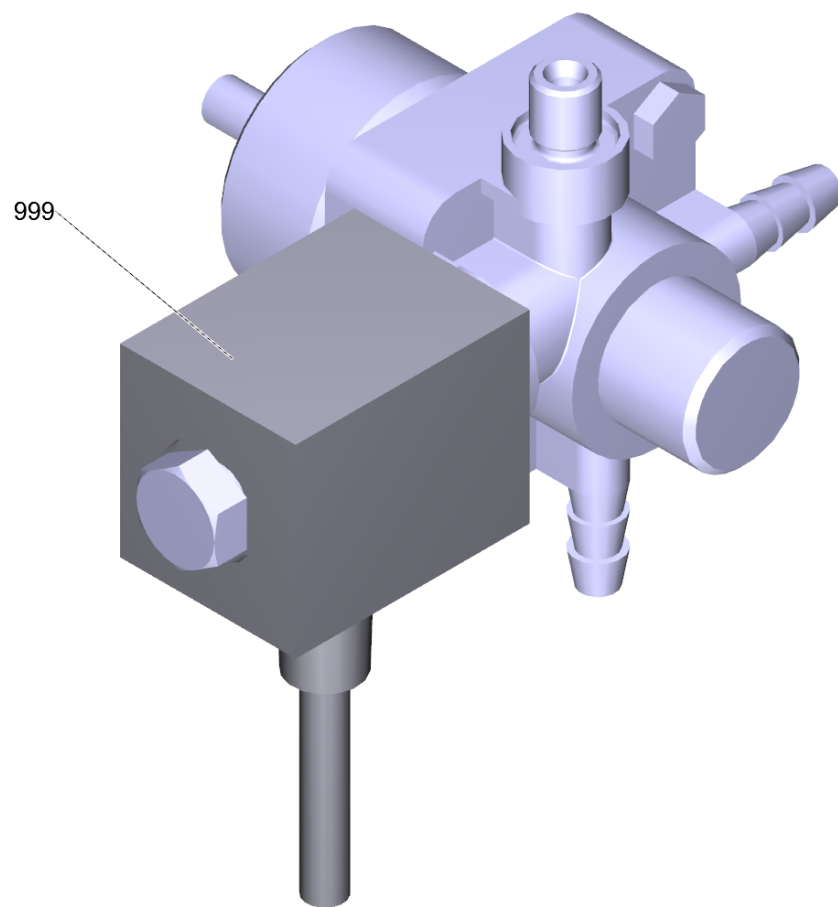
74 Cover complete Chem 2

POS	Article no.	Description	Quantity	Unit
2	6.363-443.0	O-Ring seal 75x5	1.000	ST



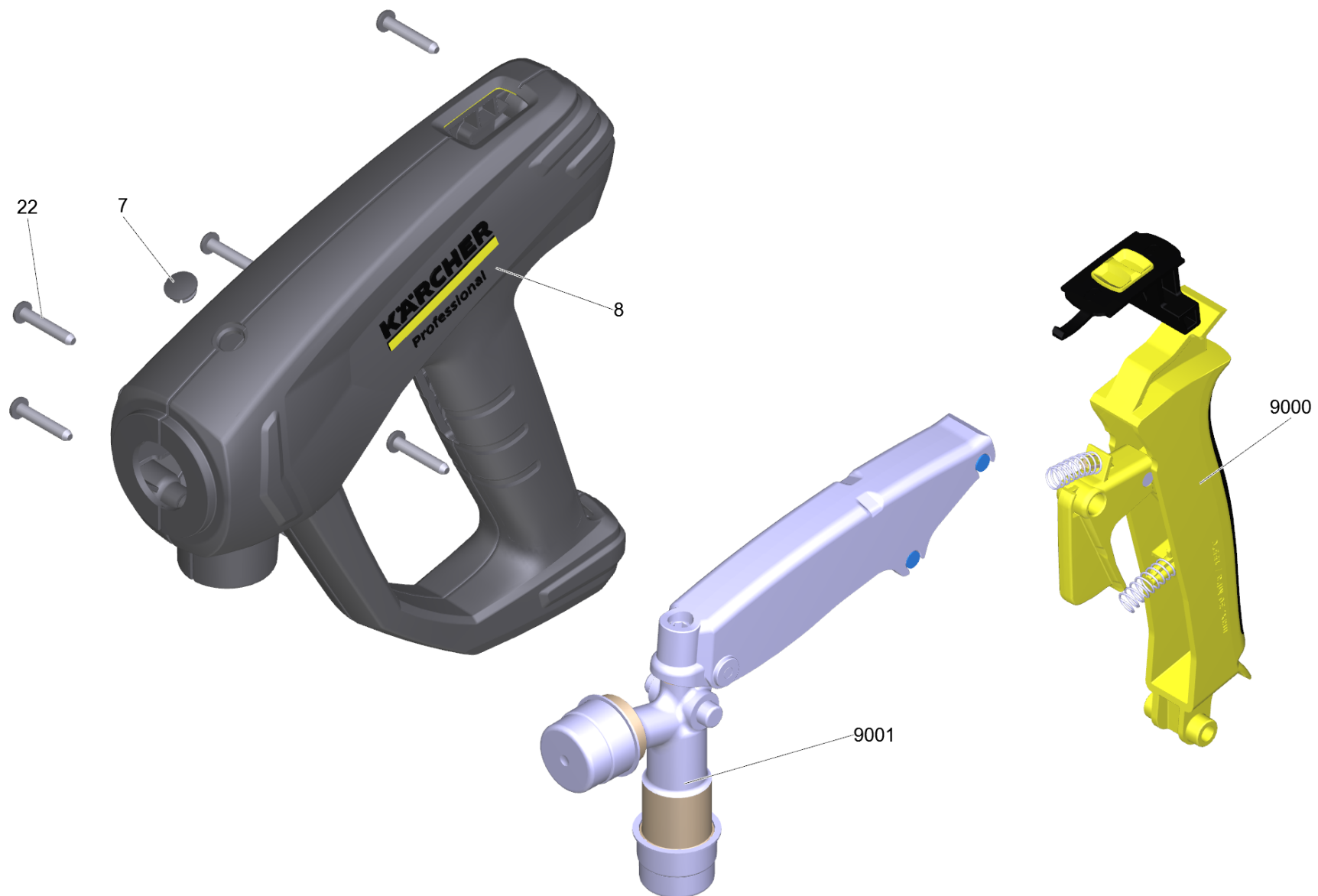
141 Power nozzle TR 25070 (2.113-028.0)

POS	Article no.	Description	Quantity	Unit
2	2.880-001.0	Spare part set seals TR	1.000	ST



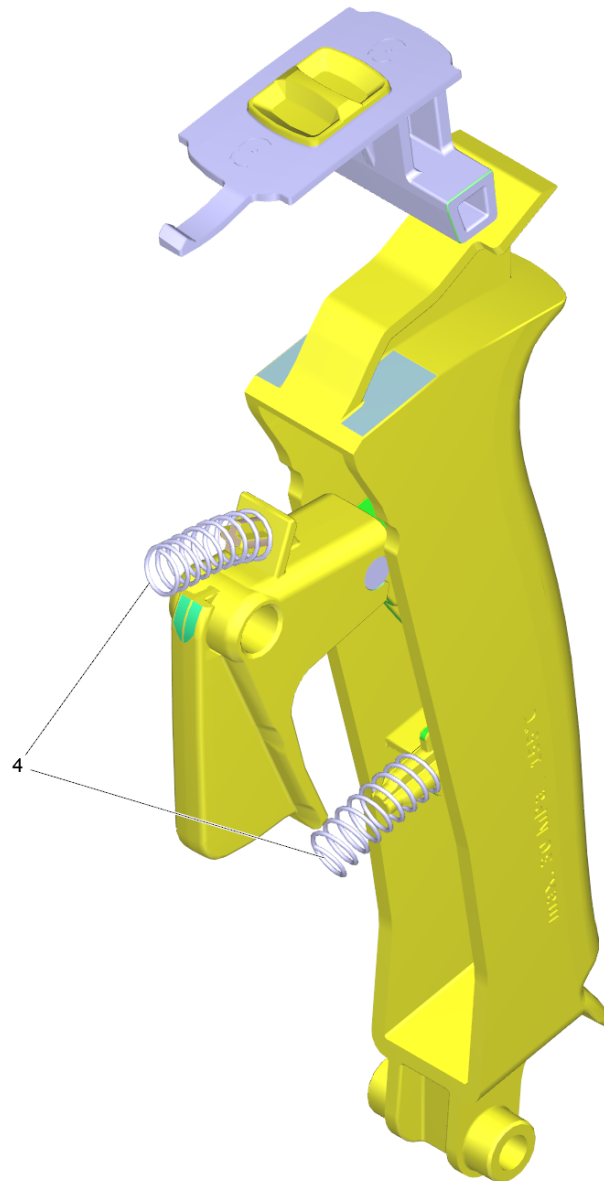
200 Fuel pump only for replacement (4.473-032.0)

POS	Article no.	Description	Quantity	Unit
999	6.473-554.0	Coil Brennstoffpumpe	1.000	ST



901 EASY!Force Advanced (4.118-005.0)

POS	Article no.	Description	Quantity	Unit
8	5.321-136.3	Handhold few EH 155 only for replacement	1.000	ST
9001	4.427-014.0	Manifold TR EH 155 nur fuer Ersatz	1.000	ST
7	5.132-001.0	Plug	1.000	ST
22	7.303-096.0	Screw 4x22 -ST-10.9-R2R (IN6RD)	7.000	ST
9000	2.885-483.0	Spare part set lever	1.000	ST

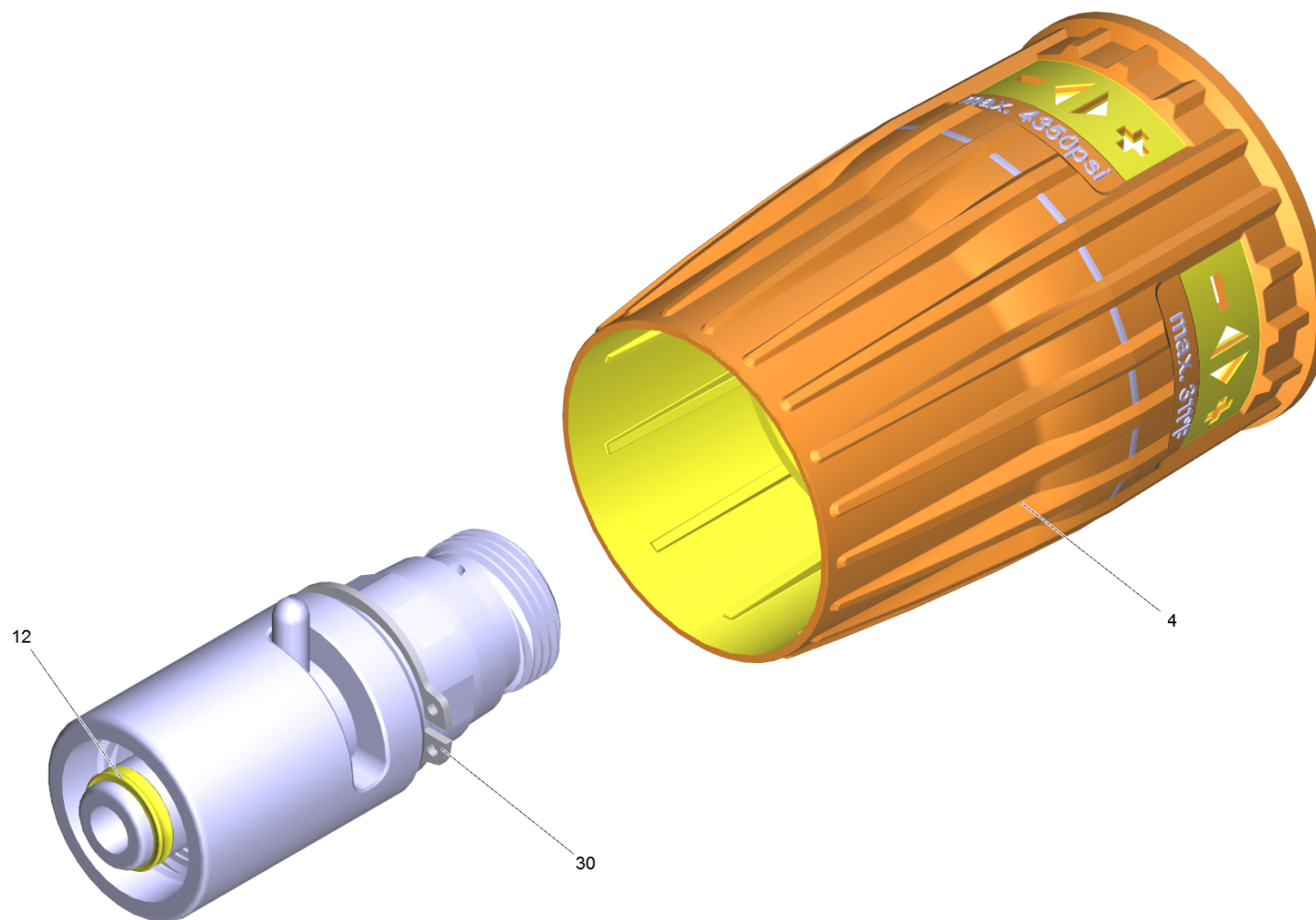


9000 Spare part set lever (2.885-483.0)

POS	Article no.	Description	Quantity	Unit
4	5.332-178.0	Helical spring	2.000	ST

902 Rotary controller TR 700L (4.118-009.0)

POS	Description	Quantity	Unit
1	Rotary controller TR 700L	1.000	ST

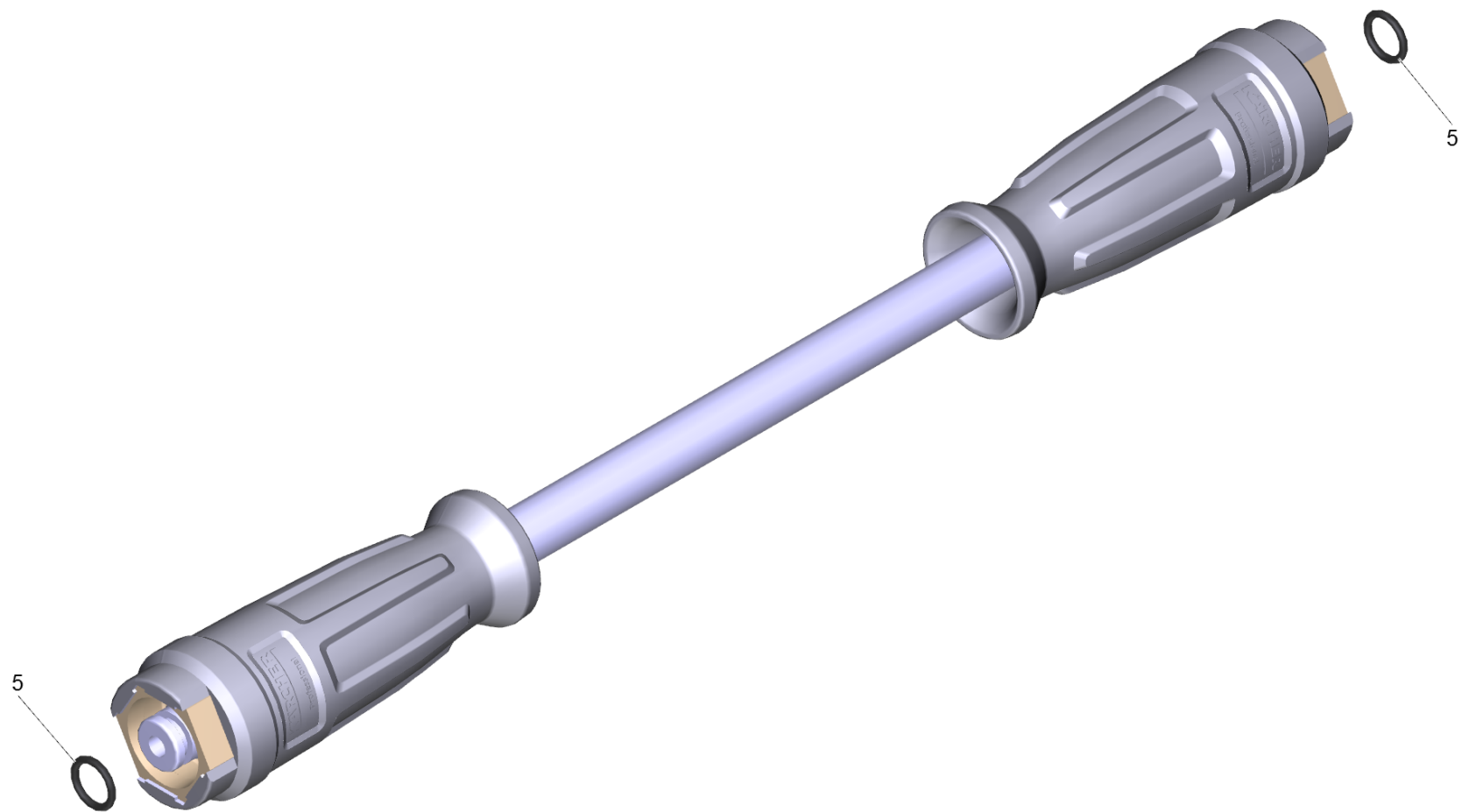


1 Rotary controller TR 700L

POS	Article no.	Description	Quantity	Unit
4	5.321-364.3	Handhold rotary controller	1.000	ST
30	7.343-069.0	Locking ring 25x1,2-1.4122 DIN 471	1.000	ST
12	2.880-001.0	Spare part set seals TR	1.000	ST

904 Hose assembly TR DN8 40MPa 10m (6.110-038.0)

POS	Description	Quantity	Unit
1	Hose assembly TR rotatable DN8 40MPa 10m	1.000	ST



1 Hose assembly TR rotatable DN8 40MPa 10m

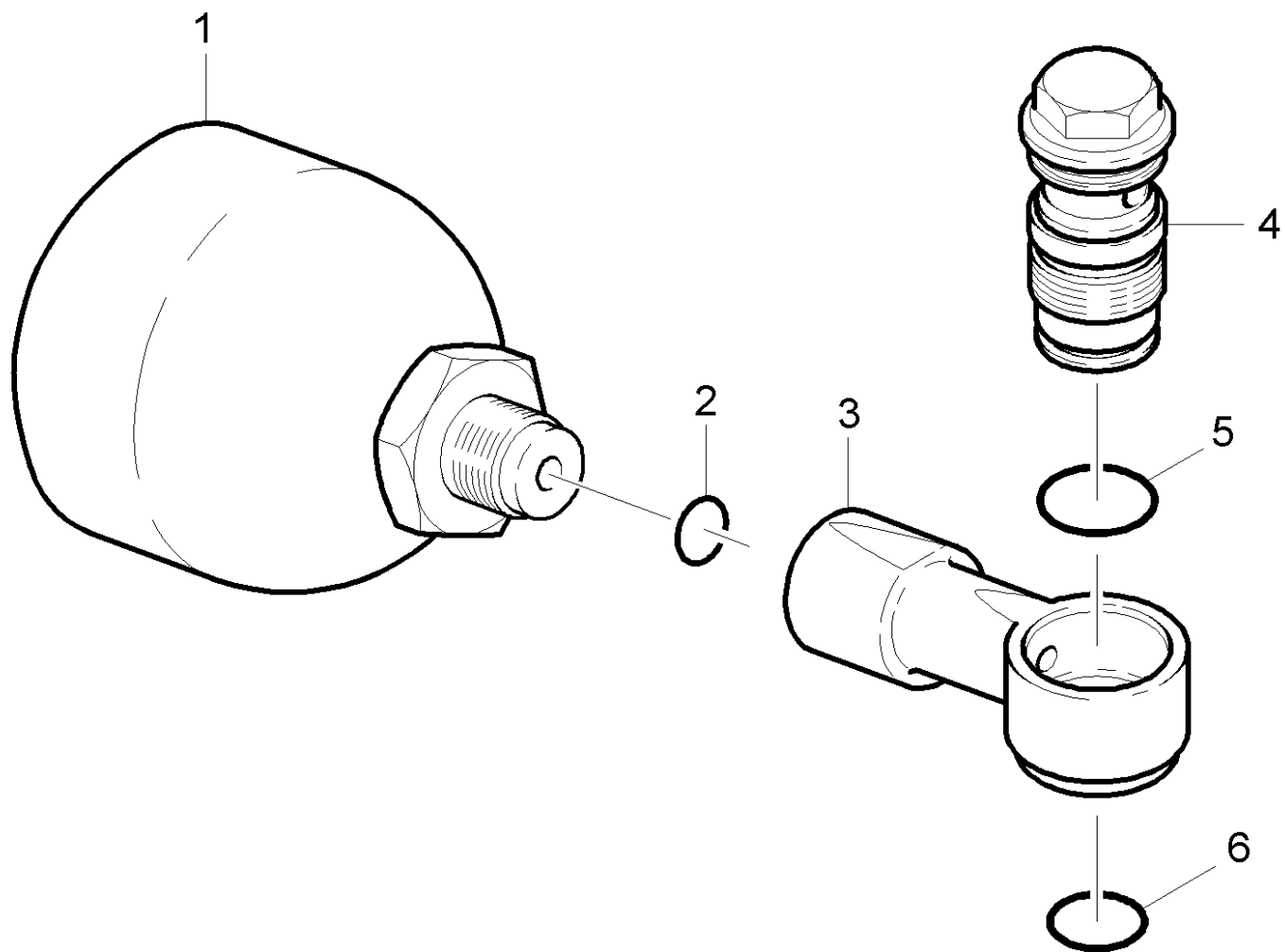
POS	Article no.	Description	Quantity	Unit
5	2.880-154.0	O-Ring kit	1.000	ST

997 Add-on kit pressure accumulator (2.641-803.0)

POS	Article no.	Description	Quantity	Unit
0	5.970-996.0	Spare parts list ABS Druckspeicher	1.000	ST

Spare parts list ABS Druckspeicher (5.970-996.0)

POS	Description	Quantity	Unit
10	ABS pressure accumulator	1.000	ST



10 ABS pressure accumulator

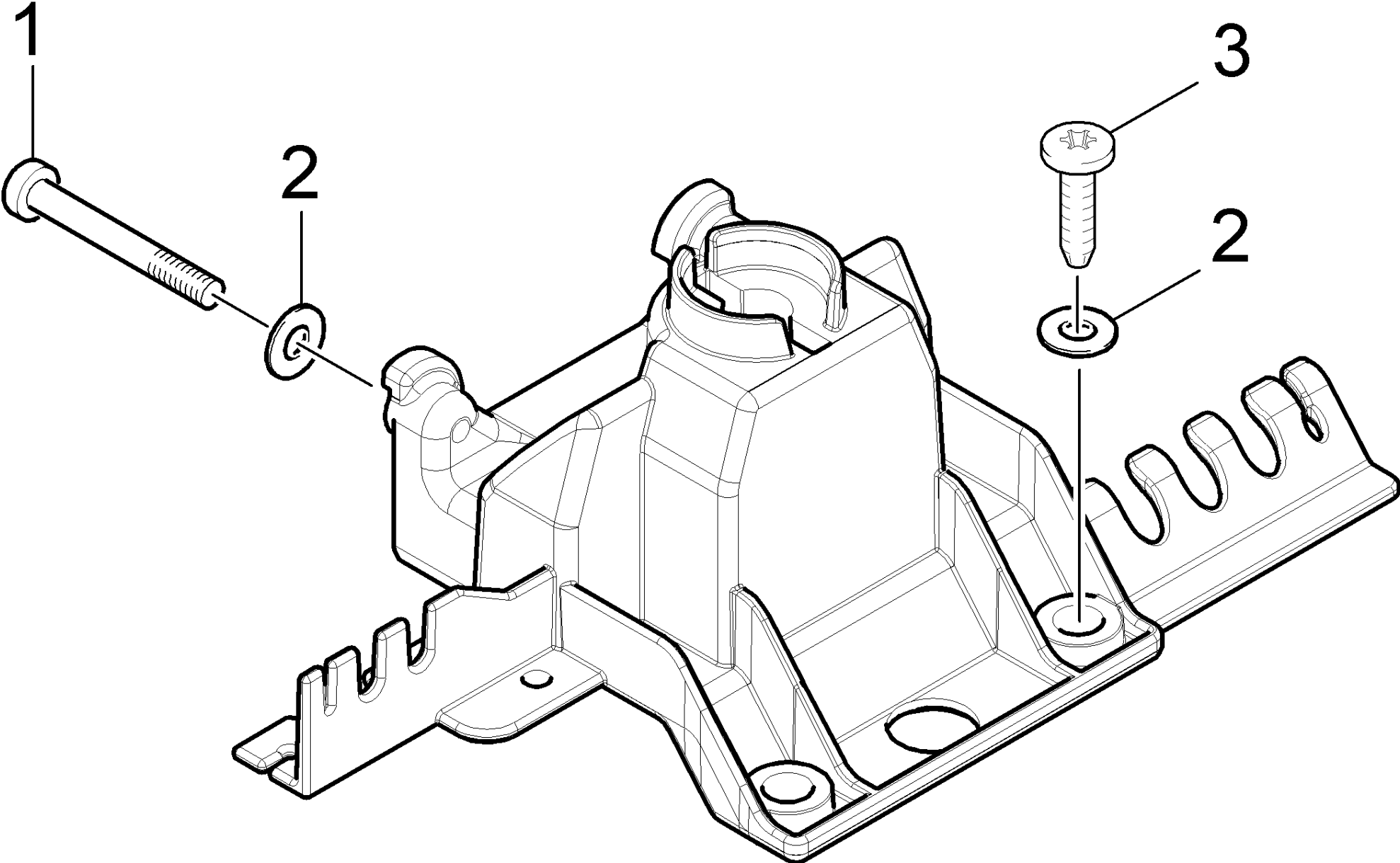
POS	Article no.	Description	Quantity	Unit
4	5.404-086.0	Hollow screw	1.000	ST
2	6.362-176.0	O-Ring seal 6,07x1,78	1.000	ST
6	6.362-481.0	O-Ring seal 14,0 x 2,0 NBR 80	1.000	ST
5	6.362-524.0	O-Ring seal 17,0 X 1,5	2.000	ST
1	6.505-054.0	Pressure accumulator	1.000	ST
3	5.427-304.0	Retainer pressure accumulator	1.000	ST

997 Conversion kit holder large Kessel (2.882-692.0)

POS	Article no.	Description	Quantity	Unit
6	5.953-328.0	Spare parts list reversion kit holder gr	1.000	ST

6 Spare parts list reversion kit holder gr (5.953-328.0)

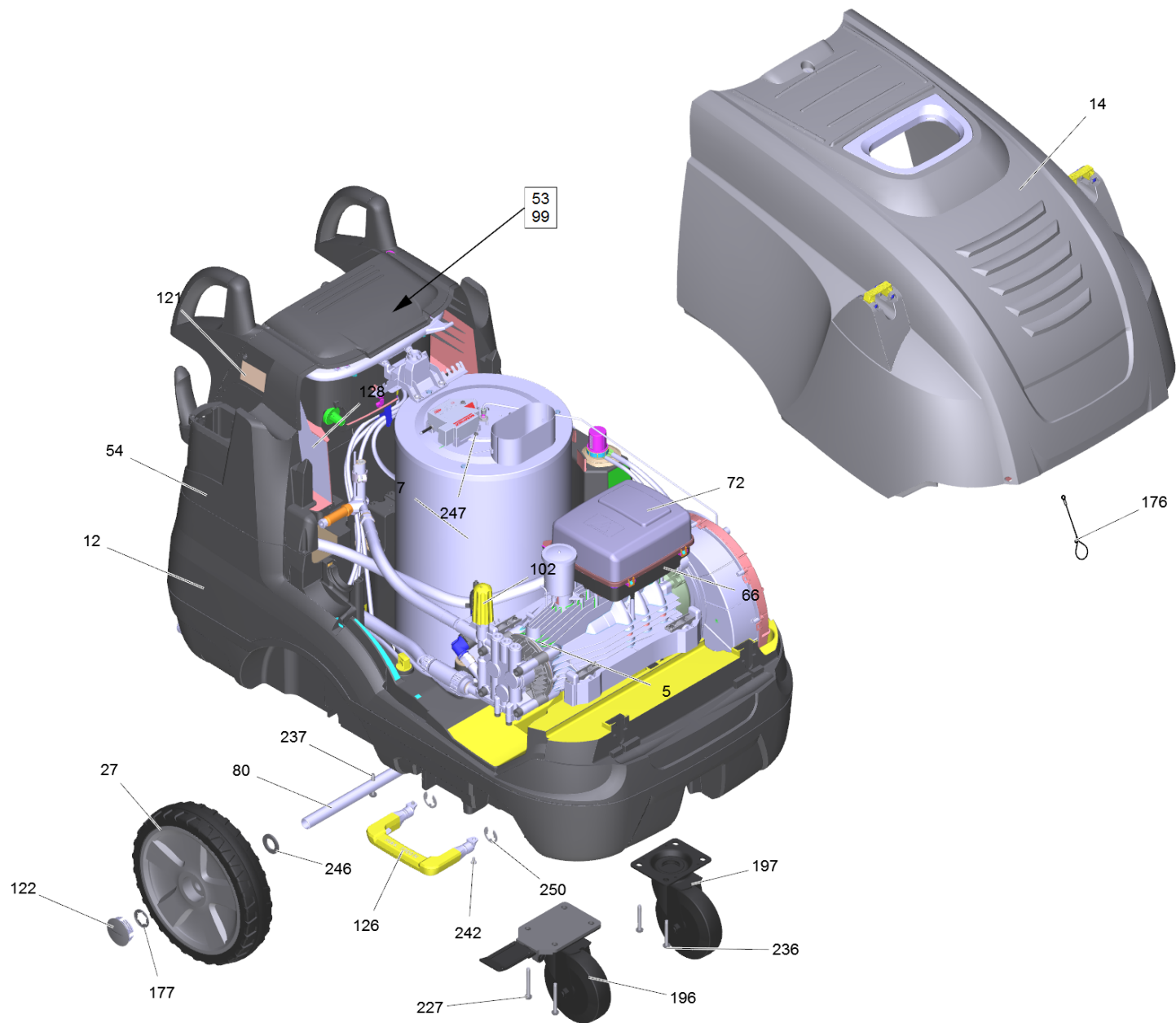
POS	Description	Quantity	Unit
10	Conversion kit holder boiler	1.000	ST

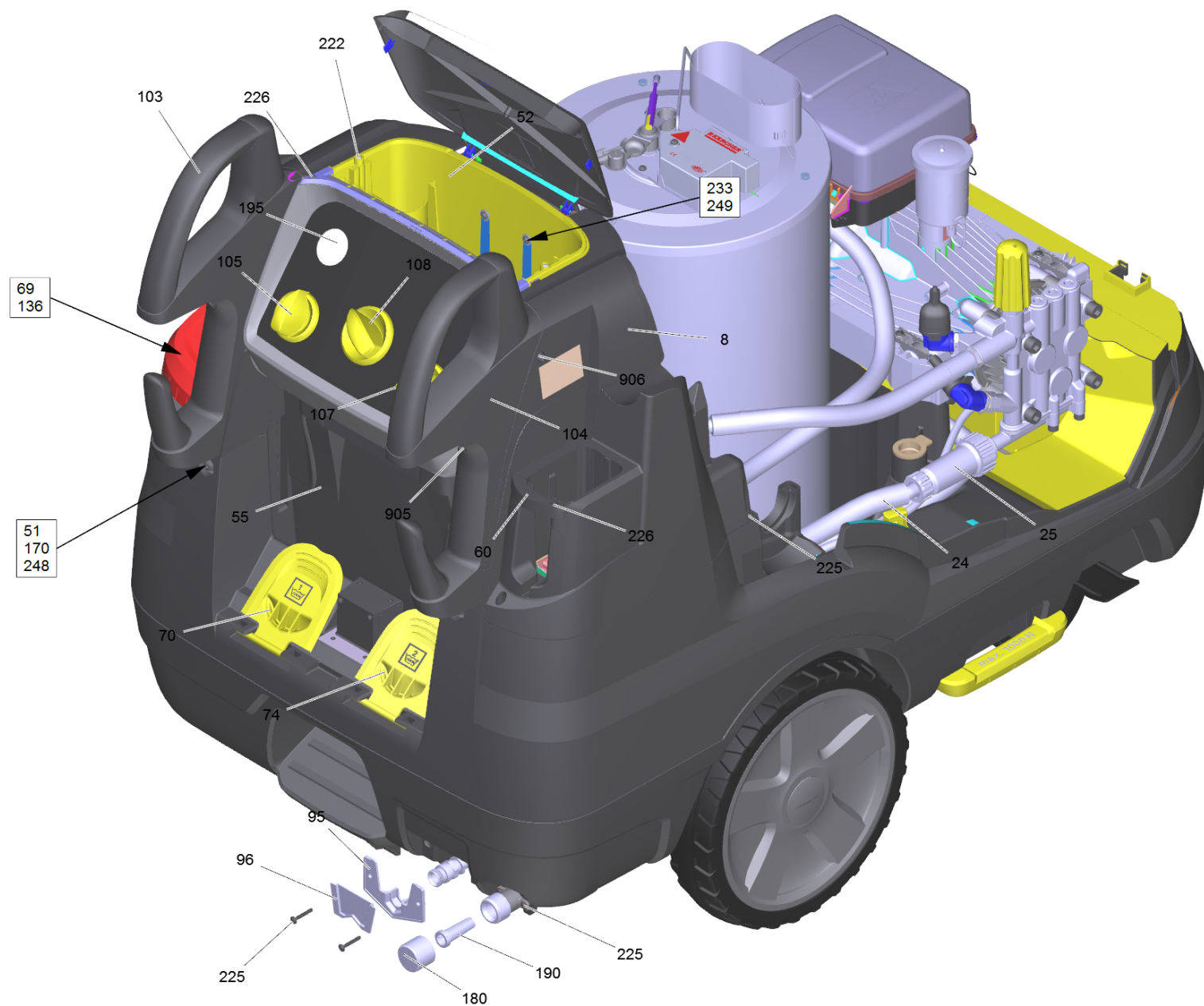


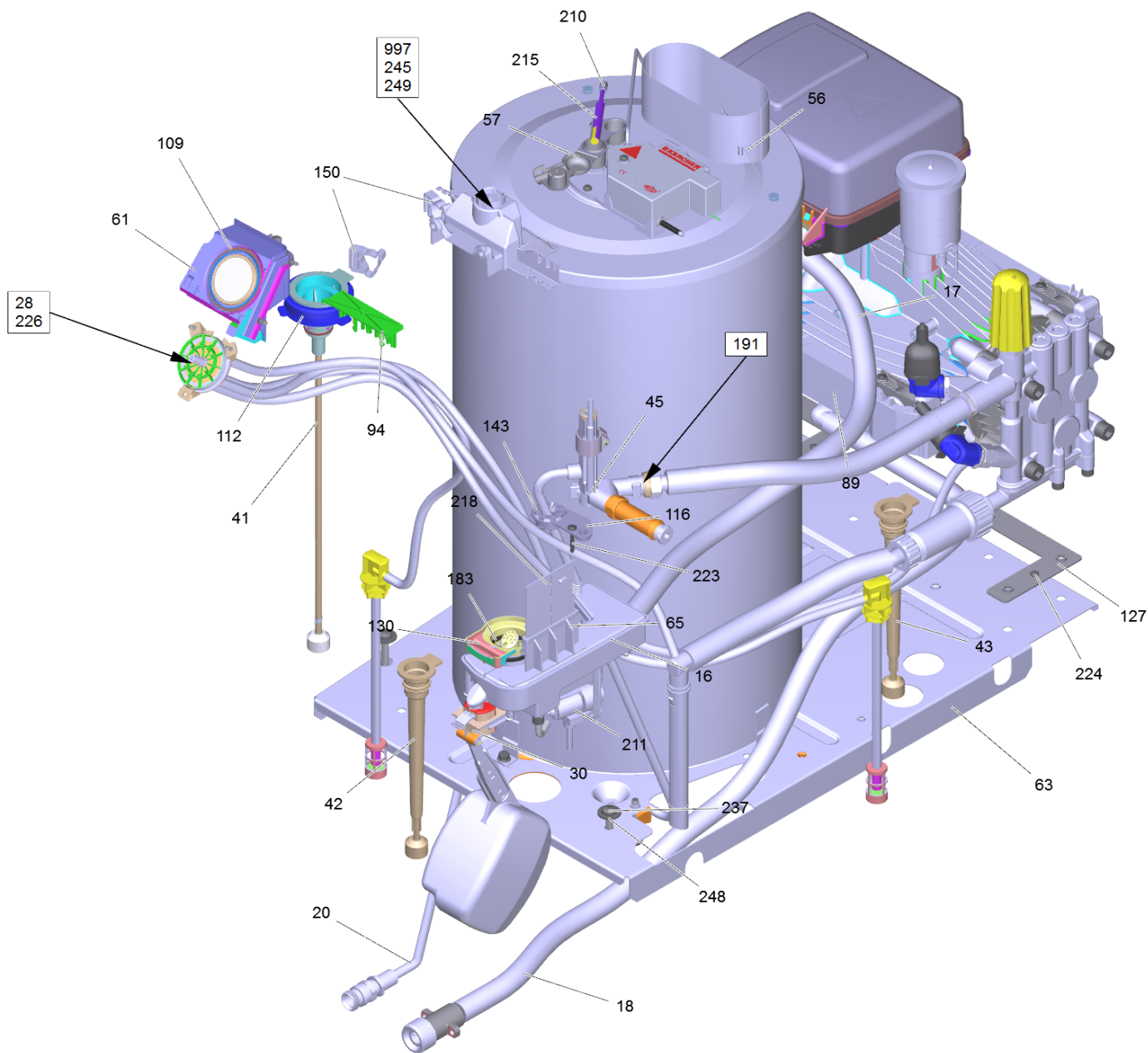
10 Conversion kit holder boiler

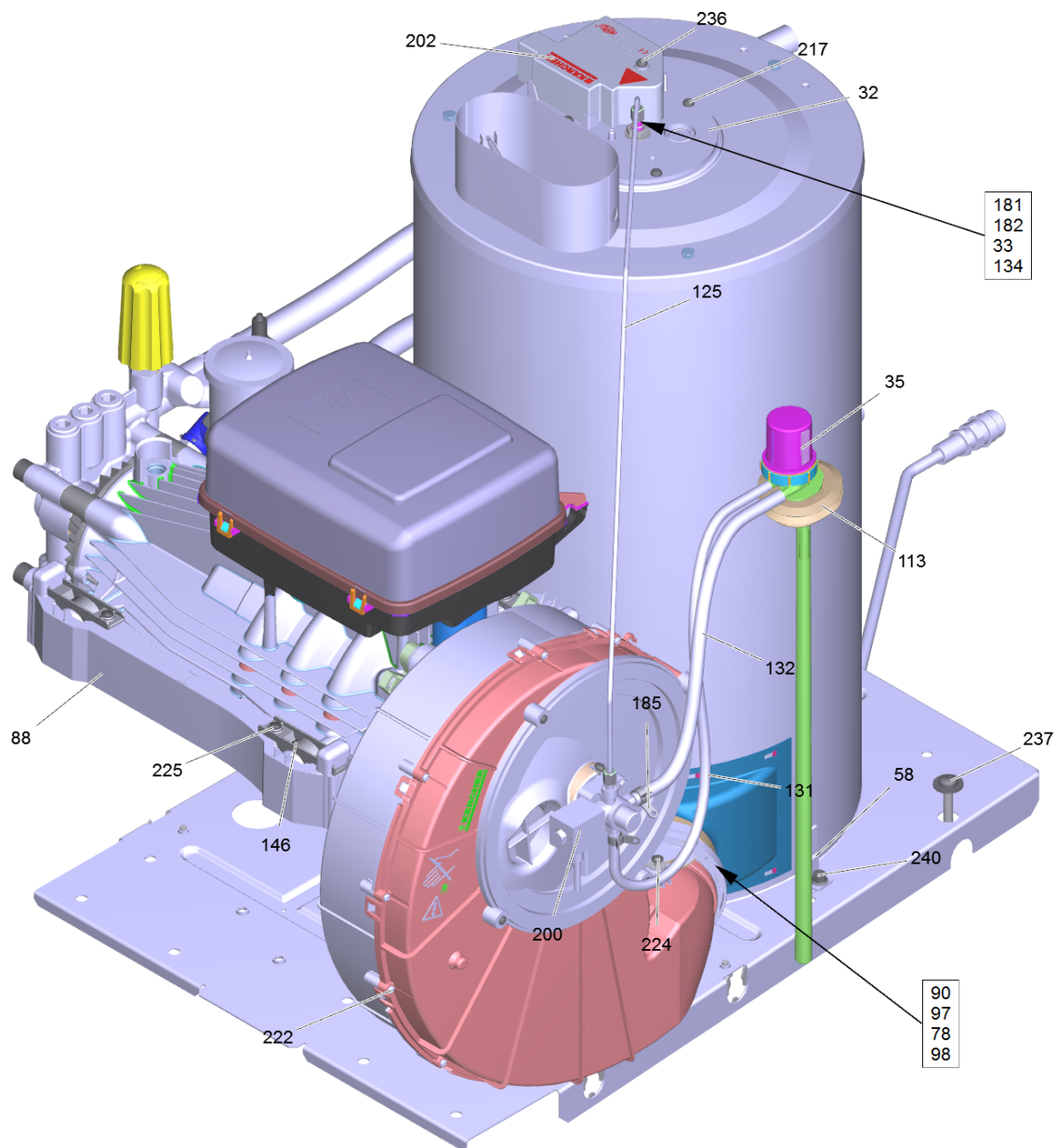
POS	Article no.	Description	Quantity	Unit
1	7.303-111.0	Screw 5x50 -10.9-R2R (K-In6Rd)	2.000	ST
3	6.303-320.0	Screw M 5x 20-St-R2R	2.000	ST
2	7.312-278.0	Washer 5-200HV-A2E ISO7093-1	4.000	ST

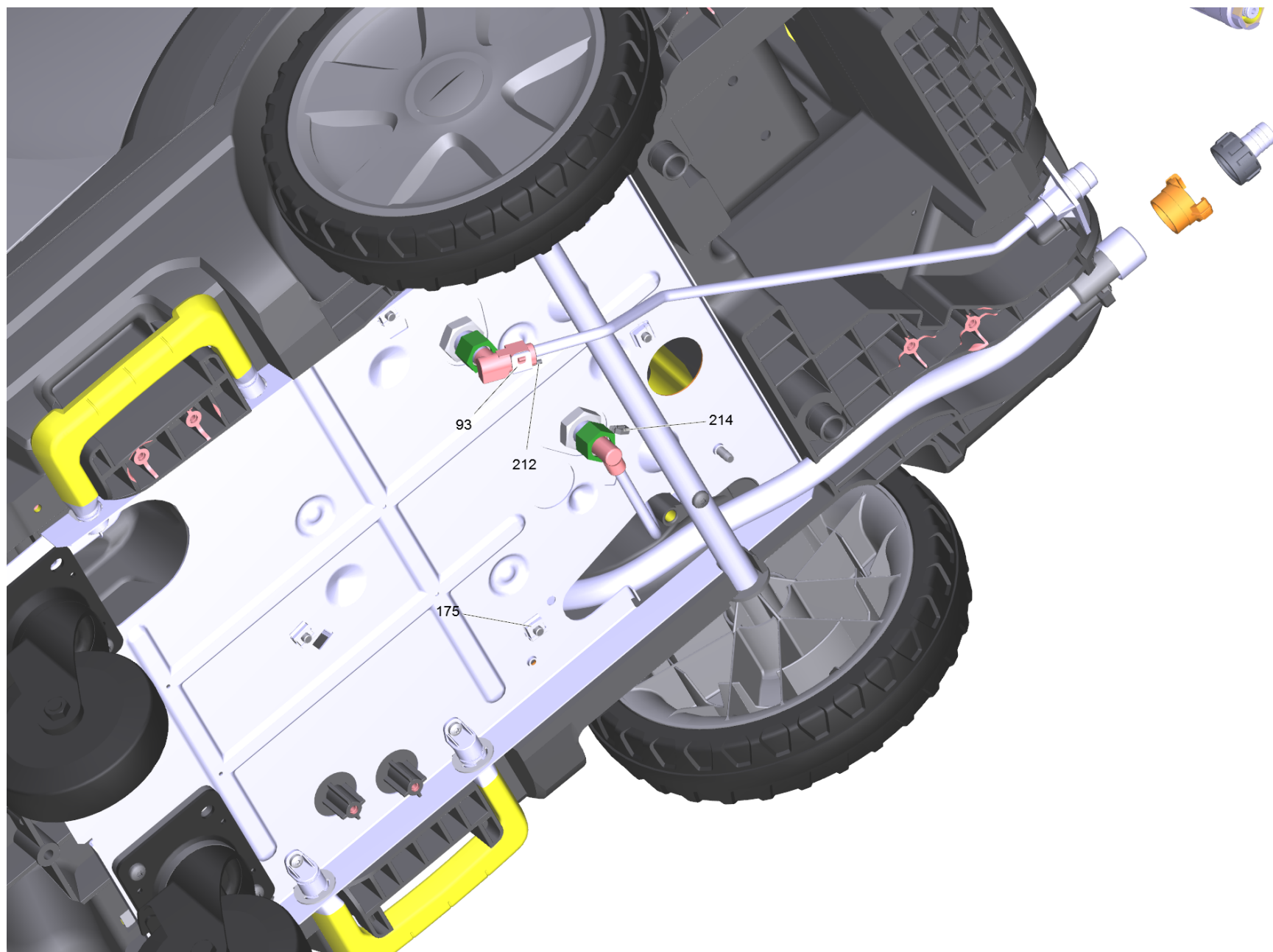


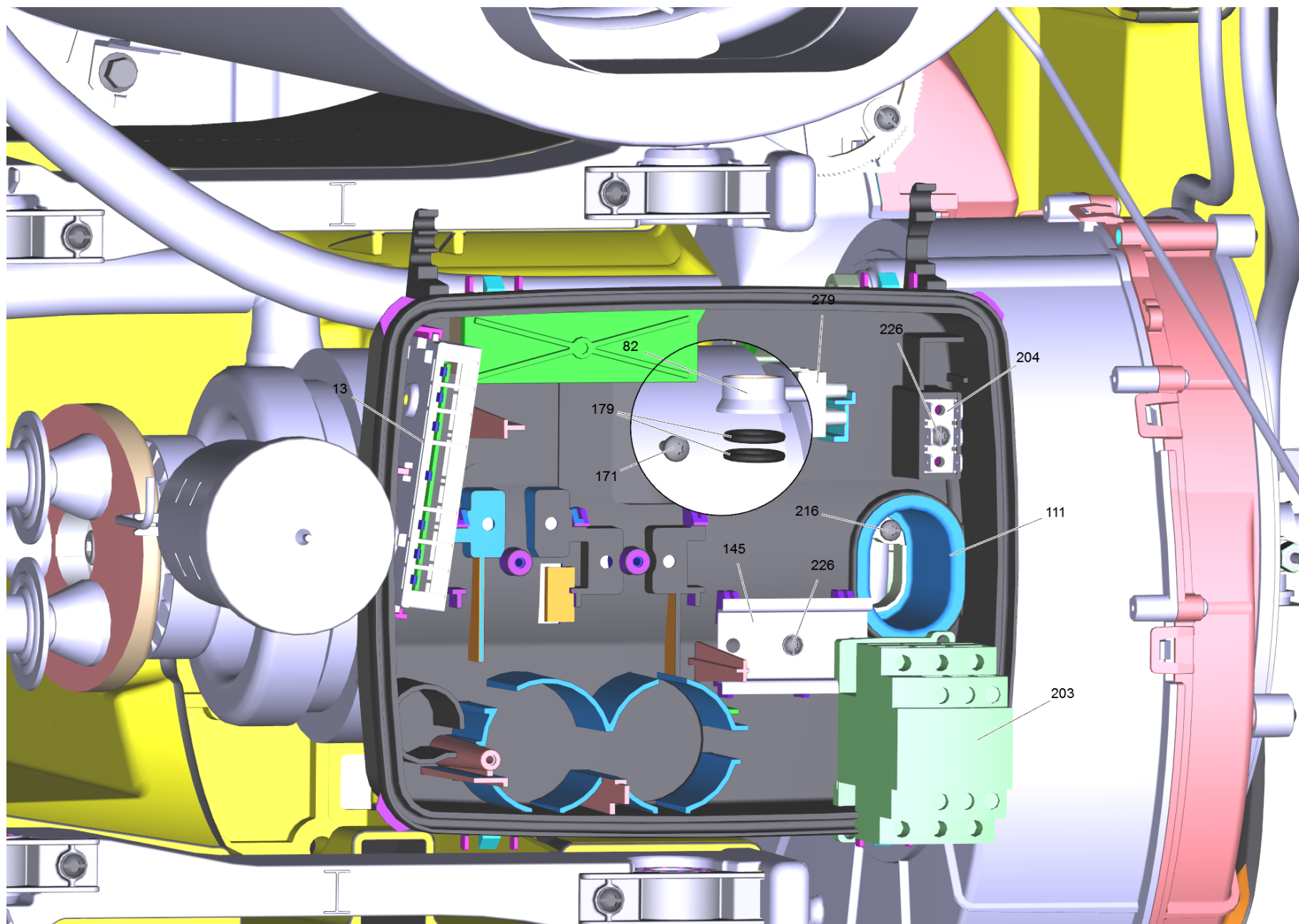












Spare parts list HDS 13/20-4S *EU-I (5.973-970.0)

POS	Article no.	Description	Quantity	Unit
997	2.641-803.0	Add-on kit pressure accumulator	1.000	ST
80	5.105-652.0	Axle	1.000	ST
63	5.051-114.0	Base plate boiler	1.000	ST
7		Boiler	1.000	ST
99	5.317-220.0	Bolt	2.000	ST
33	6.415-564.0	Burner nozzle	1.000	ST
207	6.649-384.0	Cable 2x0,35 350mm	1.000	ST
175	6.310-081.0	Cage nut M 8	4.000	ST
196	6.435-747.0	Castor	1.000	ST
197	6.435-777.0	Castor D 160	1.000	ST
218	2.885-055.0	Circuit board	1.000	ST
214	6.970-929.0	Clip	1.000	ST
78	5.075-036.0	Closure	1.000	ST
125	5.423-347.0	Conduit fuel	1.000	ST
130	5.425-495.0	CONNECTION PIECE DGT	1.000	ST
209	2.885-110.0	Control cable complete only for replacem	1.000	ST
997	2.882-692.0	Conversion kit holder large Kessel	1.000	ST
997	2.885-273.0	Conversion kit Niveaufuehler HDS 13/20	1.000	ST
70		Cover complete Chem 1	1.000	ST
74		Cover complete Chem 2	1.000	ST
72	5.064-226.0	Cover electric box	1.000	ST
69	4.064-013.0	Cover fuel complete	1.000	ST
54	5.033-344.0	Covering cap DGT	1.000	ST
32	4.654-288.0	Cover pressure boiler only for replaceme	1.000	ST
182	6.389-263.0	Cutting ring d.4	2.000	ST
14	4.066-426.0	Device cover complete only for replaceme	1.000	ST
901	4.118-005.0	EASY!Force Advanced	1.000	ST
8		Electric control box complete	1.000	ST
210	6.614-007.0	Ferrite ring	1.000	ST
136	5.731-039.0	Filter	1.000	ST
35	4.730-167.3	Filter complete	1.000	ST
126	5.424-136.0	Fixing	2.000	ST
127	5.424-137.0	Fixing castor	2.000	ST

Spare parts list HDS 13/20-4S *EU-I (5.973-970.0)

POS	Article no.	Description	Quantity	Unit
134	5.664-256.0	Flame tube	1.000	ST
55	5.033-155.0	Flap	1.000	ST
53	5.033-113.0	Flap	1.000	ST
30		Float valve	1.000	ST
128	5.424-142.0	Foil shield	1.000	ST
13	2.885-054.0	Frame circuit board complete	1.000	ST
12	4.051-109.0	Frame neue M-Klasse Ersatz	1.000	ST
200	4.473-032.0	Fuel pump only for replacement	1.000	ST
105	5.321-844.0	Handle	1.000	ST
107	5.321-847.0	Handle	1.000	ST
108	5.321-848.0	Handle	1.000	ST
102	5.322-103.0	Handle	1.000	ST
240	7.304-051.0	Hexagonal head screw M 8x16-8.8-P2R EN	4.000	ST
58	5.044-420.0	Holder	4.000	ST
150	5.802-306.0	Holder cable	2.000	ST
65	5.044-889.0	Holder circuit board	1.000	ST
57	5.034-982.0	Holder photocell	1.000	ST
116	5.378-150.0	Holder pipe	1.000	ST
61	5.044-850.0	Holder pressure gauge	1.000	ST
56	5.034-834.0	Holder probe	1.000	ST
131	6.391-820.0	Hose	0.410	M
132	6.391-820.0	Hose	0.340	M
904	6.110-038.0	Hose assembly TR DN8 40MPa 10m	1.000	ST
185	6.388-559.0	Hose clip	2.000	ST
17		Hose float	1.000	ST
24		Hose float	1.000	ST
18	4.440-792.0	Hose water connection 2-Rad	1.000	ST
66	5.061-319.0	Housing electric box	1.000	ST
202	4.622-038.0	Ignition transformer only for replacemen	1.000	ST
46	4.112-000.0	Jet pipe TR 1050 mm	1.000	ST
109	5.363-721.0	Joint ring	1.000	ST
43	4.747-096.0	Level probe	1.000	ST
42	4.747-095.0	Level probe	1.000	ST

Spare parts list HDS 13/20-4S *EU-I (5.973-970.0)

POS	Article no.	Description	Quantity	Unit
41	4.747-092.0	Level probe	1.000	ST
250	7.343-073.0	Locking ring 19 -FST-PHR DIN 6799	4.000	ST
177	6.343-162.0	Lock washer -25	2.000	ST
20	4.427-012.0	Manifold complete high-pressure outlet	1.000	ST
5		Motor pump	1.000	ST
146	5.802-288.0	Mounting part	4.000	ST
145	5.802-261.0	Mounting part	1.000	ST
179	6.362-579.0	O-Ring seal 17,5 X 3,5	4.000	ST
183	6.362-377.0	O-Ring seal 38,0 X 2,0-NBR 70	1.000	ST
204	6.641-270.0	Plug	1.000	ST
203	6.632-334.0	Power contactor LC1 D32 B7	1.000	ST
141	2.113-028.0	Power nozzle TR 25070	1.000	ST
195	4.423-020.0	Pressure gauge only for replacement 0-25	1.000	ST
215	6.664-055.0	Probe	1.000	ST
60	5.033-381.0	Profile	1.000	ST
111	5.365-181.0	Profile gasket	1.000	ST
180	6.368-080.0	Protecting cap	1.000	ST
902	4.118-009.0	Rotary controller TR 700L	1.000	ST
143	5.767-023.0	Rubber buffer	1.000	ST
113	5.365-290.0	Rubber bushing fuel	1.000	ST
112	5.365-289.0	Rubber bushing transmitter feeder	1.000	ST
45		Safety system	1.000	ST
226	7.303-106.0	Screw 4x12 -10.9-R2R (IN6RD)	8.000	ST
222	7.303-084.0	Screw 4x25 -10.9-R2R (K-In6Rd)	2.000	ST
224	7.303-107.0	Screw 5x16 -10.9-P2R (K-In6Rd)	3.000	ST
223	7.303-108.0	Screw 5x20 -10.9-R2R (In6Rd)	1.000	ST
225	7.303-086.0	Screw 5x30 -10.9-R2R (K-In6Rd)	10.000	ST
233	7.303-111.0	Screw 5x50 -10.9-R2R (K-In6Rd)	2.000	ST
906	7.303-209.0	Screw 6x50 -10.9-R2R (K-In6Rd)	2.000	ST
216	7.303-031.0	Screw M4x10 -St-P2R (In6Rd)	1.000	ST
217	7.303-038.0	Screw M5x12 -St-P2R (In6Rd)	4.000	ST
171	6.303-153.0	Screw M5x15-ST-R2R (IN6RD)	3.000	ST
245	6.303-320.0	Screw M 5x 20-St-R2R	2.000	ST

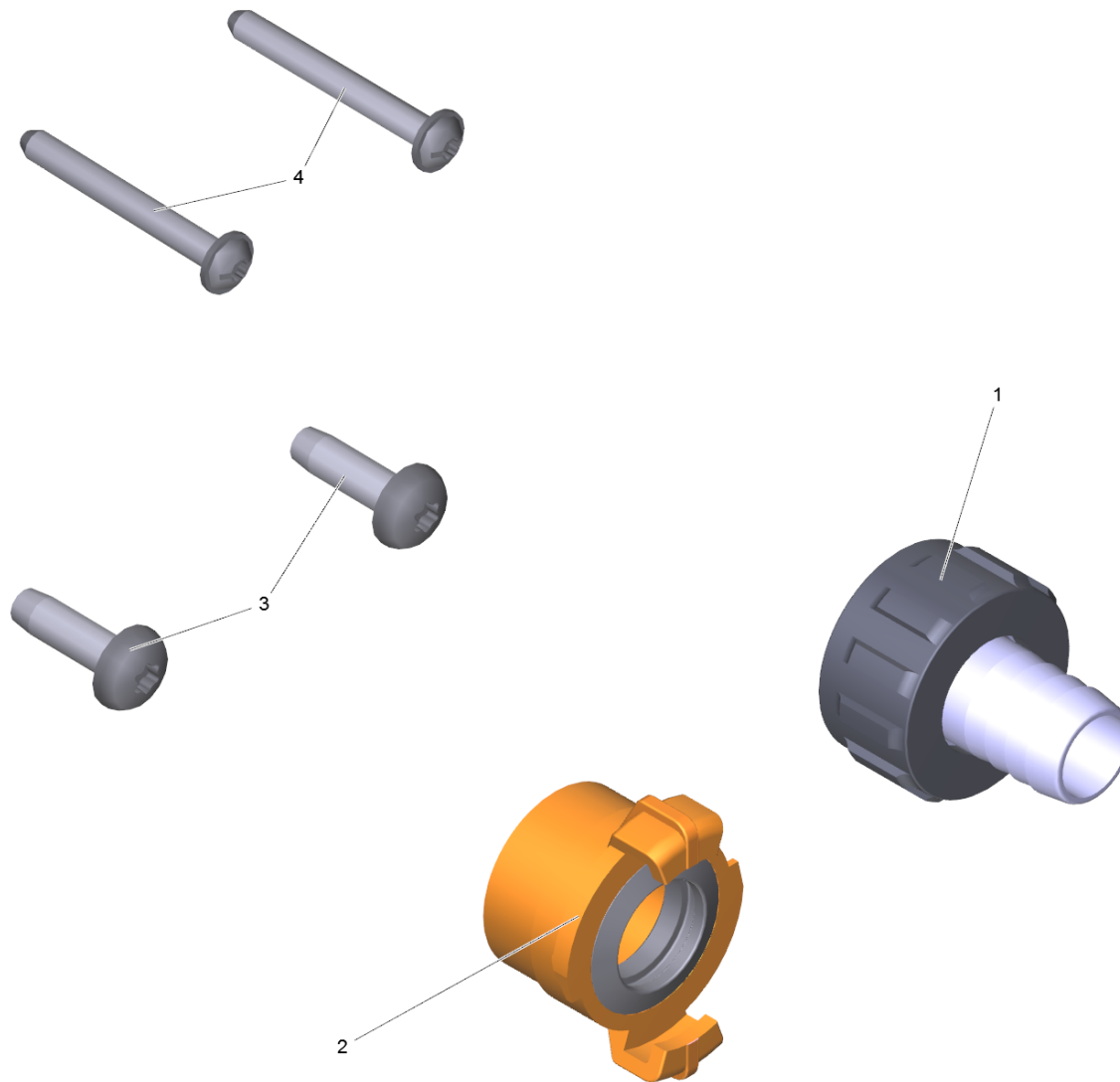
Spare parts list HDS 13/20-4S *EU-I (5.973-970.0)

POS	Article no.	Description	Quantity	Unit
236	7.303-240.0	Screw M5x40-ST-A2E (IN6RD)	1.000	ST
242	7.303-046.0	Screw M6x12 -St-R3R (In6Rd)	4.000	ST
905	7.303-069.0	Screw M 8x25-ST-R3R (IN6RD)	2.000	ST
170	6.303-497.0	Screw M8x35-8.8-A2E (IN6RD)	3.000	ST
237	7.303-236.0	Screw M 8x60-St-A3E (IN6RD)	5.000	ST
227	7.303-237.0	Screw M 8x70-St-A3K (IN6RD)	3.000	ST
90	5.195-251.0	Seal air circulation	1.000	ST
3		Set mounting parts	1.000	ST
122	2.889-086.0	Set wheel cap	1.000	ST
82	5.110-341.0	Sleeve	2.000	ST
103	5.321-830.0	Sliding handle left	1.000	ST
104	5.321-831.3	Sliding handle right	1.000	ST
211	4.686-030.0	Solenoid valve only for replacement	1.000	ST
142	2.114-011.0	Steam nozzle TR 40100	1.000	ST
52	5.033-112.0	Storage compartment	1.000	ST
190	6.414-141.0	Strainer	1.000	ST
191	6.414-566.0	Strainer WMS	1.000	ST
88	5.190-249.0	Strip front	1.000	ST
89	5.190-250.0	Strip rear	1.000	ST
279	6.643-151.0	Strip terminal one-pole 16mm ²	1.000	ZST
176	6.431-274.0	Tackle cover	1.000	ST
16	4.070-658.3	Tank complete	1.000	ST
96	5.263-088.0	Tensioning part	1.000	ST
93	5.263-064.0	Tensioning part	1.000	ST
95	5.263-087.0	Tensioning part	1.000	ST
94	5.263-091.0	Tensioning part	2.000	ST
98	5.263-096.0	Tensioning part air circulation	1.000	ST
97	5.263-094.0	Tensioning part air circulation	1.000	ST
212	4.686-031.0	Thermostat only for replacement	1.000	ST
247	7.312-172.0	Toothed lock washer A5,3-FSt-A3E DIN 67	1.000	ST
51	5.027-292.0	Tube handhold	2.000	ST
181	6.389-262.0	Union nut A 4-LL	2.000	ST
28		Valve cleaning agents complete	1.000	ST

Spare parts list HDS 13/20-4S *EU-I (5.973-970.0)

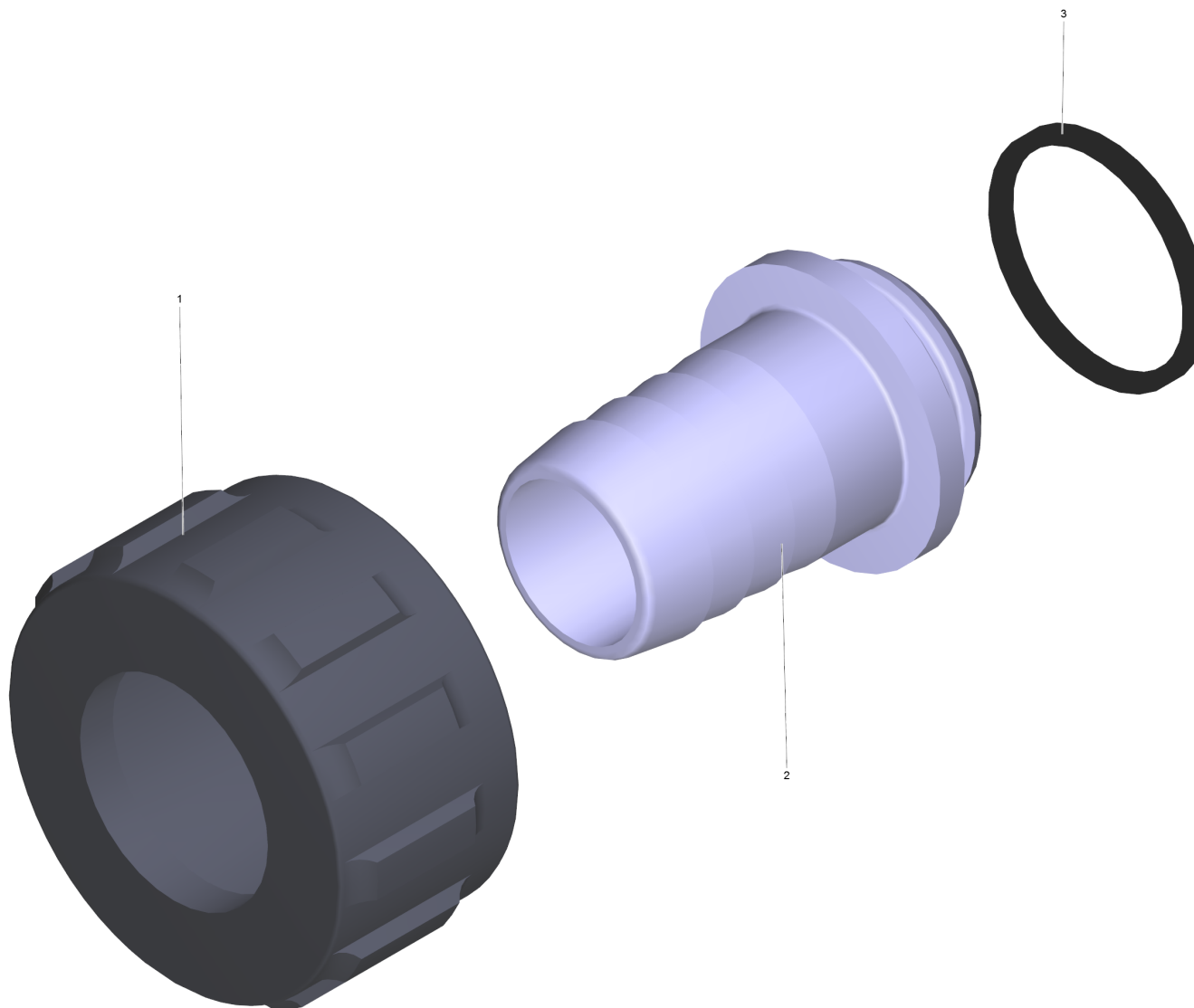
POS	Article no.	Description	Quantity	Unit
121	5.387-620.0	Warning sticker-Prevent from freezing	1.000	ST
249	7.312-278.0	Washer 5-200HV-A2E ISO7093-1	4.000	ST
248	7.312-277.0	Washer 8-200HV-A2E ISO7093-1	4.000	ST
246	7.312-060.0	Washer 24-100HV-A3E ISO 7091	2.000	ST
25	4.730-168.3	Water filter complete	1.000	ST
27	4.515-345.0	Wheel complete	2.000	ST

3 Set mounting parts



3 Set mounting parts

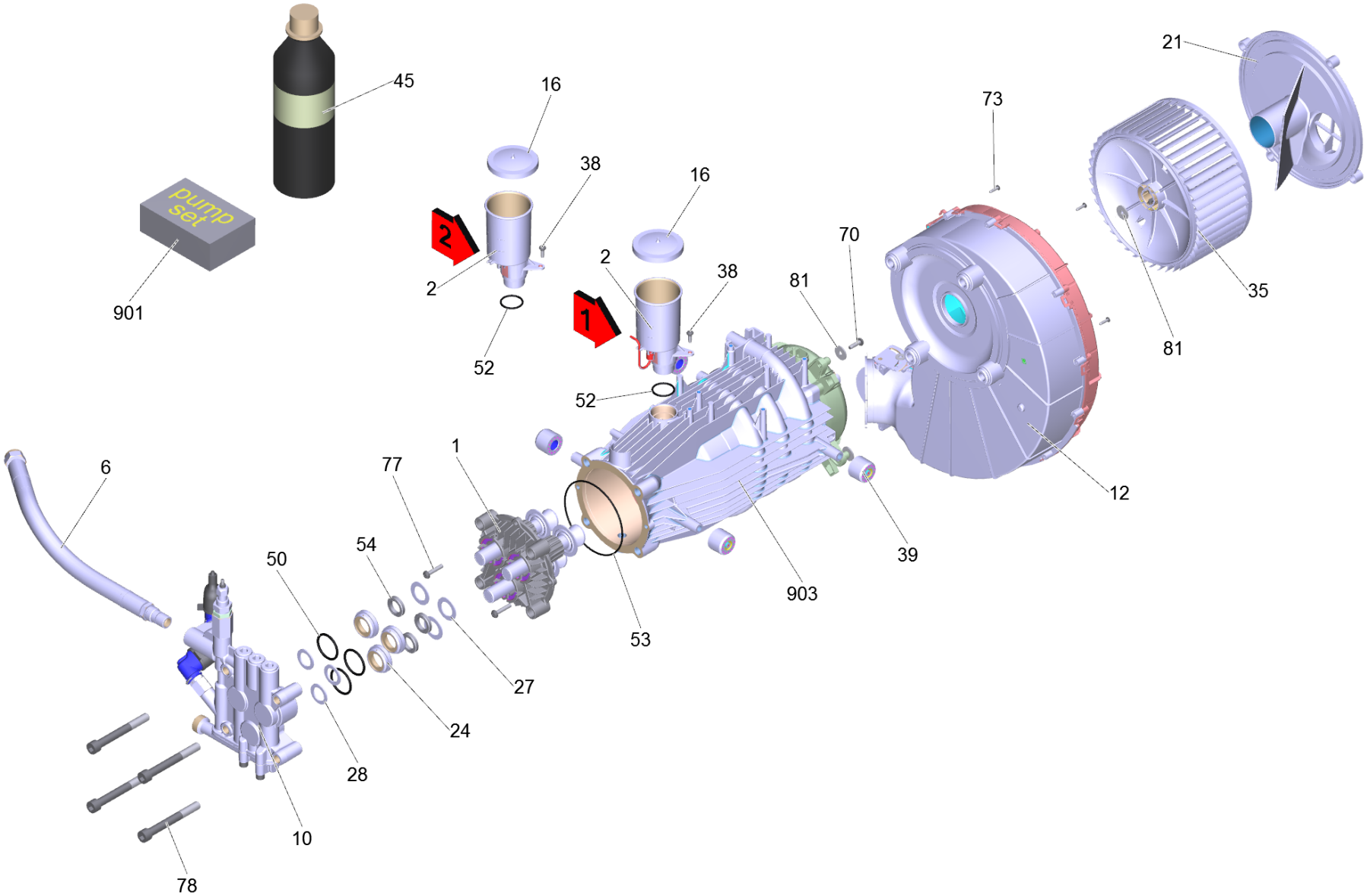
POS	Article no.	Description	Quantity	Unit
2	6.388-458.0	Hose coupling	1.000	ST
4	7.303-209.0	Screw 6x50 -10.9-R2R (K-In6Rd)	1.000	ST
3	7.303-069.0	Screw M 8x25-ST-R3R (IN6RD)	2.000	ST
1	2.640-492.0	Set water connection 1 "	1.000	ST



1 Set water connection 1 " (2.640-492.0)

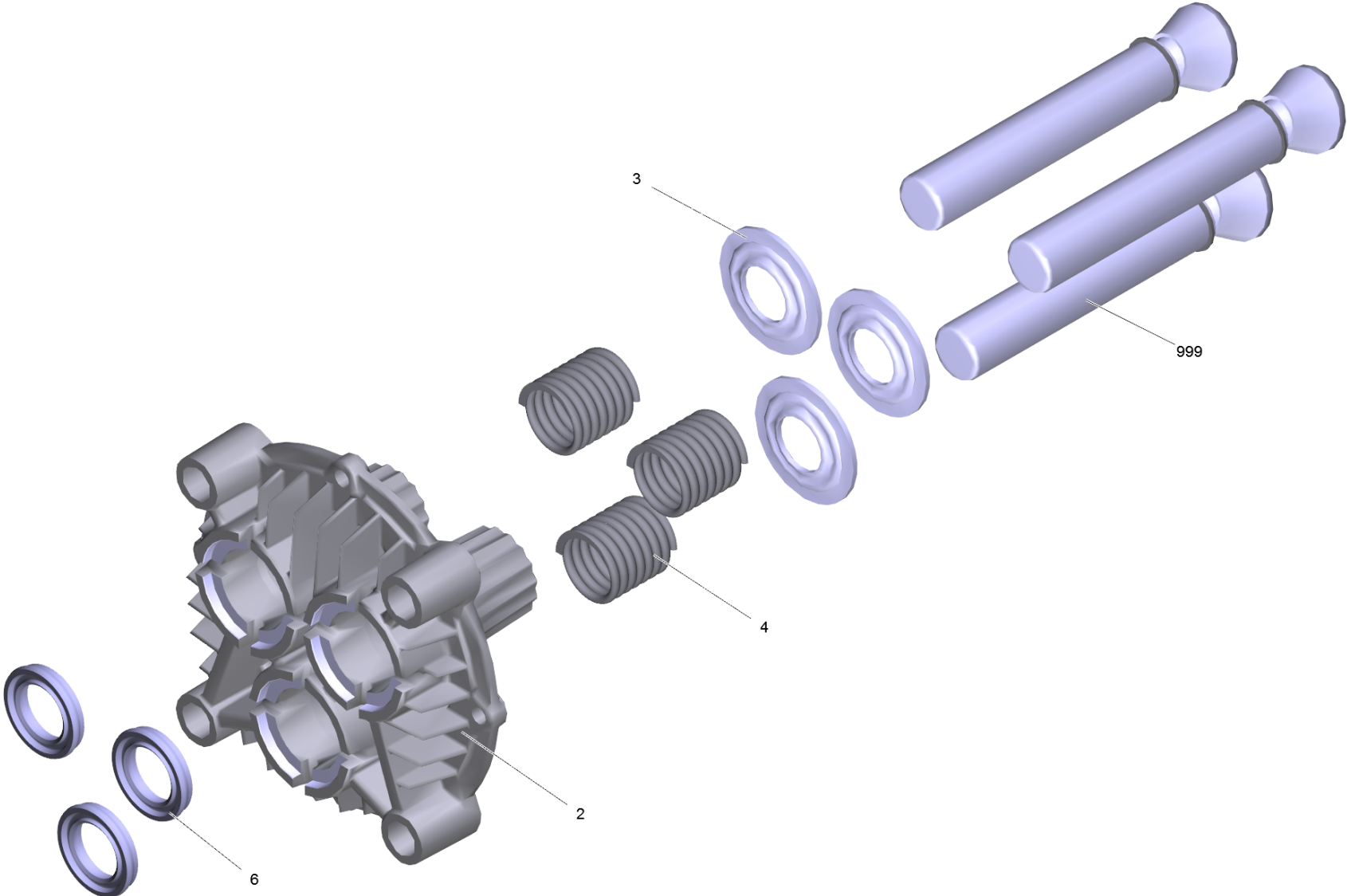
POS	Article no.	Description	Quantity	Unit
2	5.443-291.0	Hose stem	1.000	ST
1	5.310-076.0	Nut	1.000	ST
3	6.362-161.0	O-Ring seal 19,3 X 2,4	1.000	ST

5 Motor pump



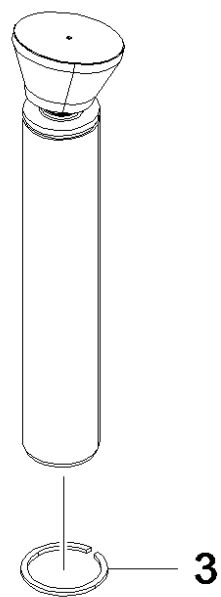
5 Motor pump

POS	Article no.	Description	Quantity	Unit	Foot note text
24	5.112-414.3	Bush	3.000	ST	
54	6.365-056.0	Compact seal 22X32X6	3.000	ST	
35	2.641-430.0	Conversion kit blower wheel	1.000	ST	
21	5.064-266.0	Cover blower internal part	1.000	ST	
16	5.064-459.0	Cover grey	1.000	ST	
10		Cylinder head complete	1.000	ST	
78	7.306-155.0	Cylinder head screw M12x100 -8.8-A3E IS	4.000	ST	
45	6.288-016.0	Gear oil 1L	1.000	ST	
6	6.391-629.0	High pressure hose DN 13	1.000	ST	
12	4.605-106.0	Housing blower complete	1.000	ST	
903	4.623-921.0	Motor complete only for replacement	1.000	ST	
52	6.362-722.0	O-Ring seal 28,0 X 3,0	1.000	ST	
50	6.362-092.0	O-Ring seal 36,0 X 2,0-NBR 70	3.000	ST	
53	6.363-228.0	O-Ring seal 114 x 3	1.000	ST	
39	5.767-005.0	Rubber buffer	4.000	ST	
73	7.303-205.0	Screw 4x16-St-10.9-R2R (In6Rd)	4.000	ST	
38	6.303-153.0	Screw M5x15-ST-R2R (IN6RD)	1.000	ST	
70	7.303-048.0	Screw M6x20 -St-R3R (In6Rd)	4.000	ST	
77	7.306-105.0	Screw M6x30 -8.8-R3R (In6Rd)	2.000	ST	
901	2.885-033.0	Spare part set pump	1.000	ST	
2	5.070-736.0	Tank oil	1.000	ST	VERSION 2
2	4.070-904.0	Tank only for replacement	1.000	ST	VERSION 1
1		Thrust guidance complete	1.000	ST	
27	5.115-520.0	Washer	3.000	ST	
28	5.115-521.0	Washer	3.000	ST	
81	7.312-260.0	Washer 6 -100HV-A3E ISO 7094	5.000	ST	



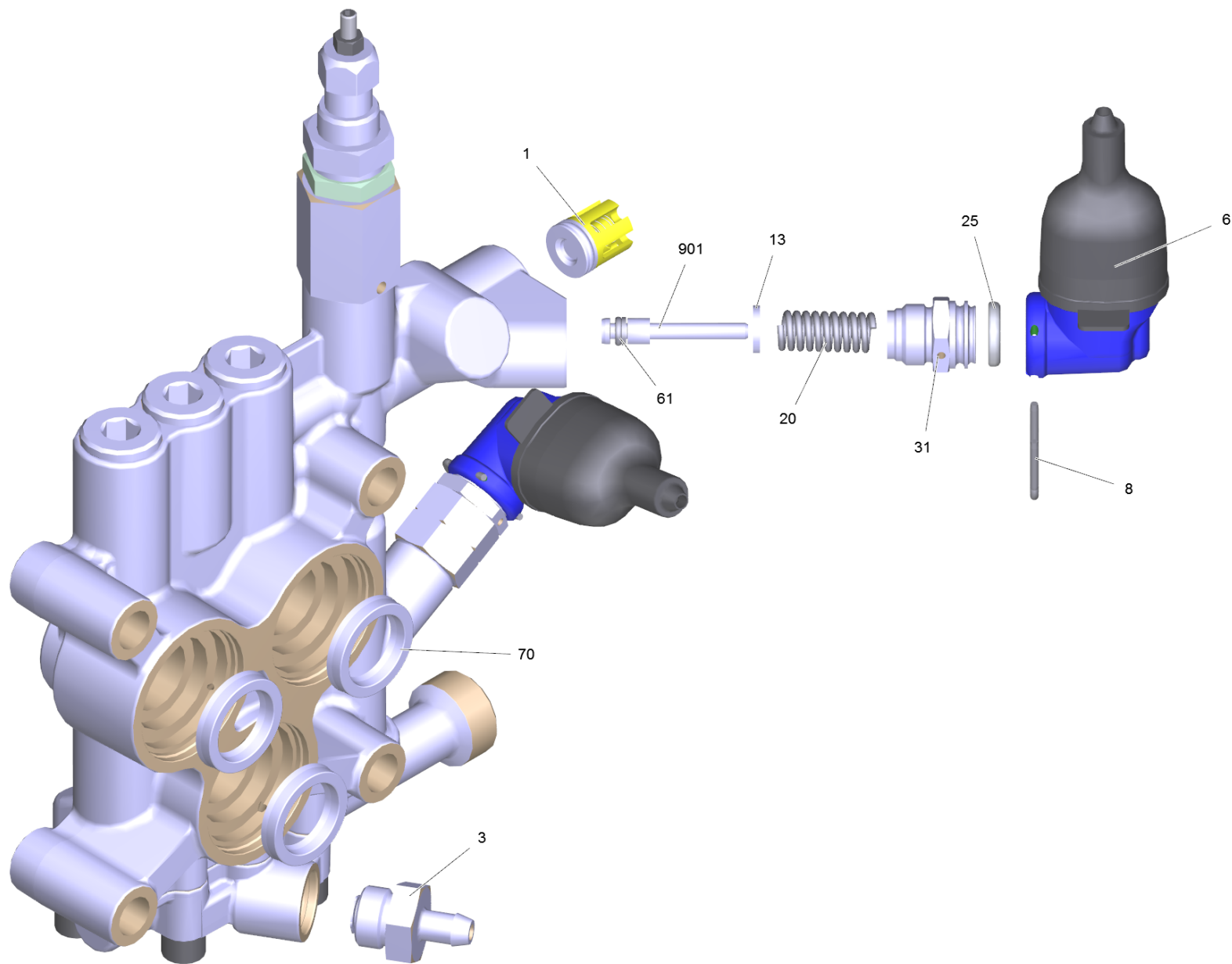
1 Thrust guidance complete

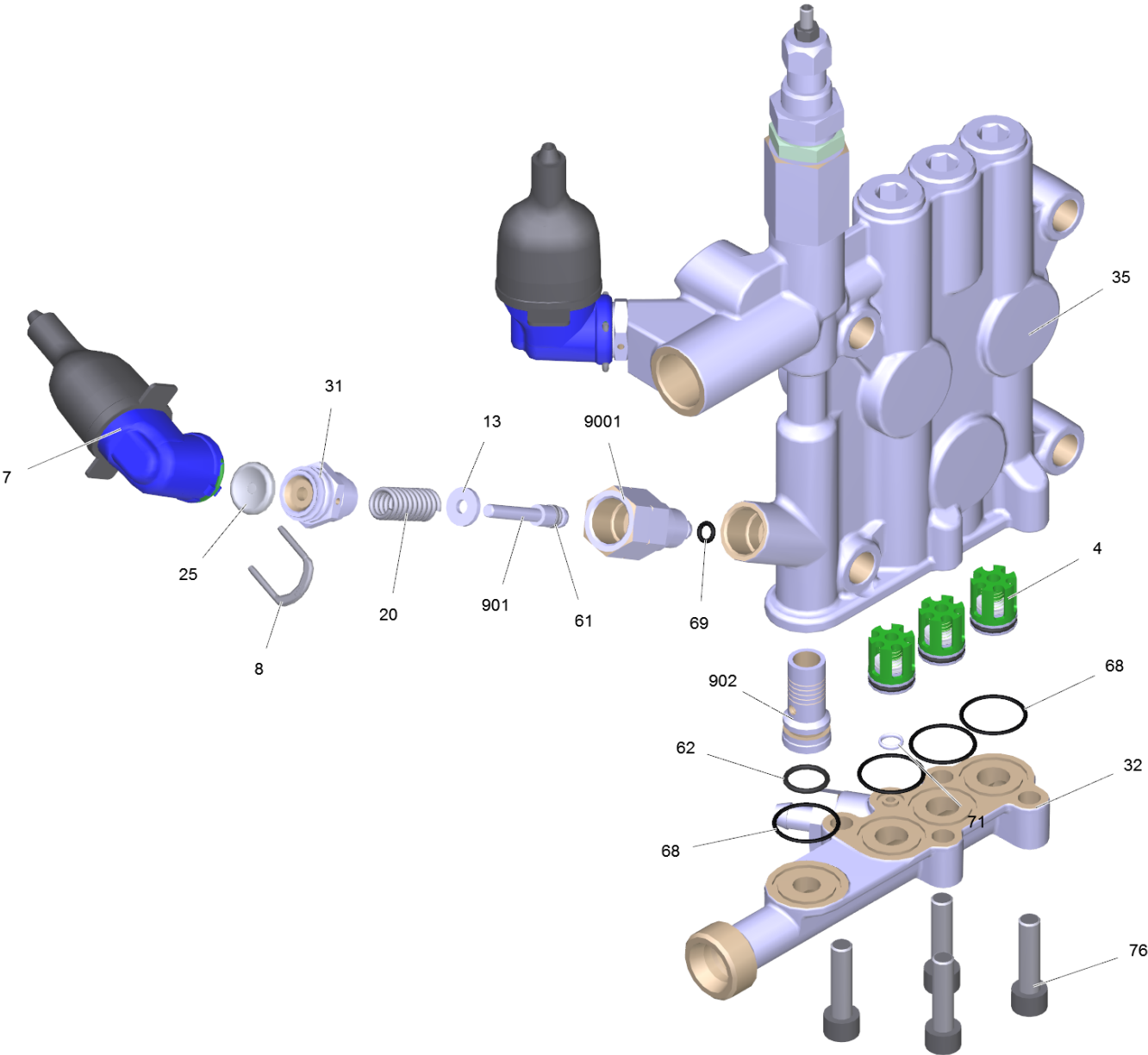
POS	Article no.	Description	Quantity	Unit
5	6.288-050.0	Engine oil 1L	1.000	ST
6	6.365-059.0	Grooved ring 22X30X6/8	3.000	ST
4	5.332-187.0	Helical spring	3.000	ST
999	4.553-280.0	Piston complete only for replacement	3.000	ST
2	5.060-954.3	Thrust guidance D22	1.000	ST
3	5.116-065.0	Washer D22	3.000	ST

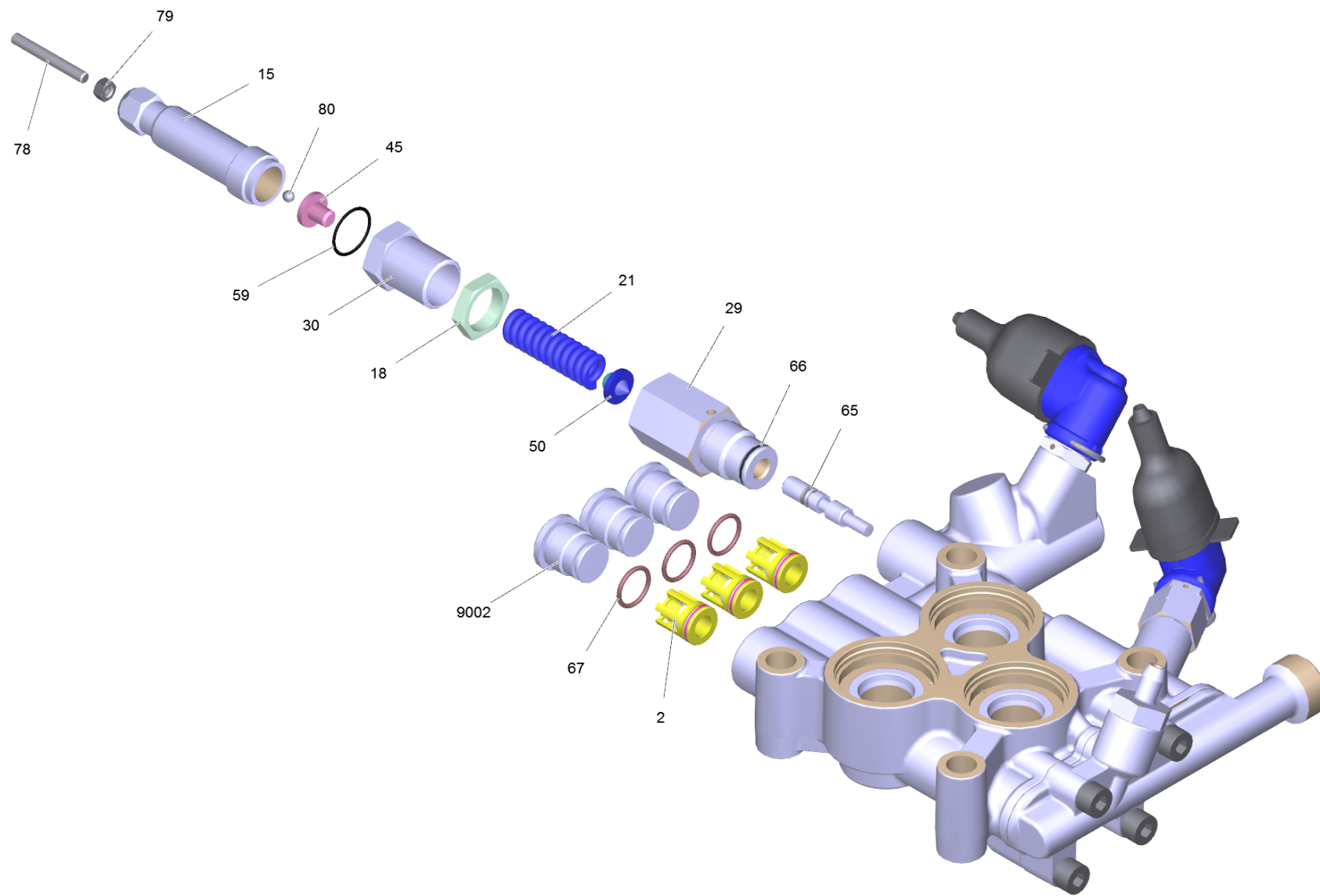


999 Piston complete only for replacement (4.553-280.0)

POS	Article no.	Description	Quantity	Unit
3	6.343-142.0	Snap ring WR 22	1.000	ST





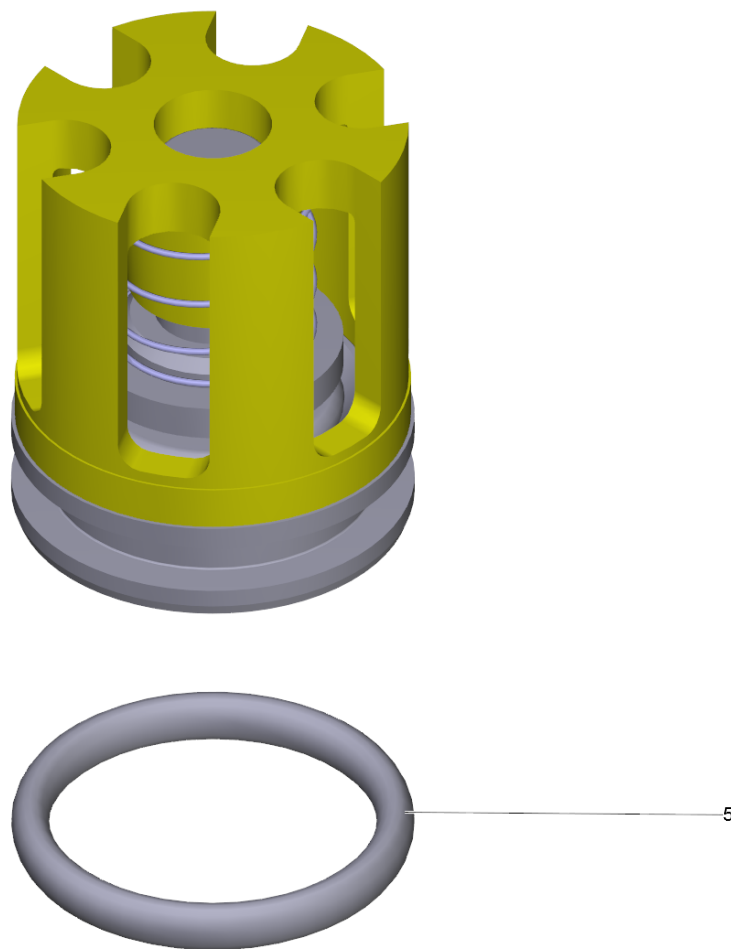


10 Cylinder head complete

POS	Article no.	Description	Quantity	Unit
29	5.402-746.0	Connection piece	1.000	ST
35	4.550-887.0	Cylinder head complete	1.000	ST
76	7.306-043.0	Cylinder head screw M8x30 -8.8-A2E ISO	4.000	ST
25	5.367-030.0	Diaphragm	2.000	ST
70	6.365-055.0	Grooved ring 22x30x5	3.000	ST
21	5.332-444.0	Helical spring	1.000	ST
20	5.332-268.0	Helical spring	2.000	ST
15	5.304-070.0	Hexagonal head screw	1.000	ST
79	7.311-002.0	Hexagon nut M5 -6-A2E ISO 4032	1.000	ST
18	5.311-204.0	Hexagon nut M22x1,5	1.000	ST
30	5.404-082.0	Hollow screw	1.000	ST
9001	5.402-705.3	Joining piece	1.000	ST
32	5.427-418.0	Manifold water intake	1.000	ST
69	6.362-853.0	O-Ring seal 4,47x1,78	1.000	ST
71	6.362-703.0	O-Ring seal 6,0x1,5-NBR 70	1.000	ST
62	6.362-381.0	O-Ring seal 13x2 - NBR 70	1.000	ST
67	6.362-481.0	O-Ring seal 14,0 x 2,0 NBR 80	3.000	ST
66	6.362-427.0	O-Ring seal 15,0x2,0	1.000	ST
59	6.362-079.0	O-Ring seal 18,0 X 2,5	1.000	ST
68	6.363-536.0	O-Ring seal 21x1,5	4.000	ST
61	6.363-037.0	O-Ring seal complete 1ST.-R.	2.000	ST
65	4.553-287.0	Piston complete	1.000	ST
901	4.553-197.0	Piston complete only for replacement	2.000	ST
8	5.034-494.0	Retaining bracket	2.000	ST
31	5.411-148.0	Screw plug	2.000	ST
902	5.110-867.0	Sleeve	1.000	ST
80	7.401-931.0	Sphere 5 K13 -1.4401 DIN 5401	1.000	ST
6	4.744-224.0	Switch complete	1.000	ST
7	4.744-225.3	Switch complete	1.000	ST
78	7.307-017.0	Threaded pin M5x40 -St-45H-A2E ISO 4026	1.000	ST
2	2.884-512.0	Valve (3 Stueck)	1.000	ST
1	4.580-594.0	Valve complete	1.000	ST
4	4.580-611.0	Valve complete	3.000	ST

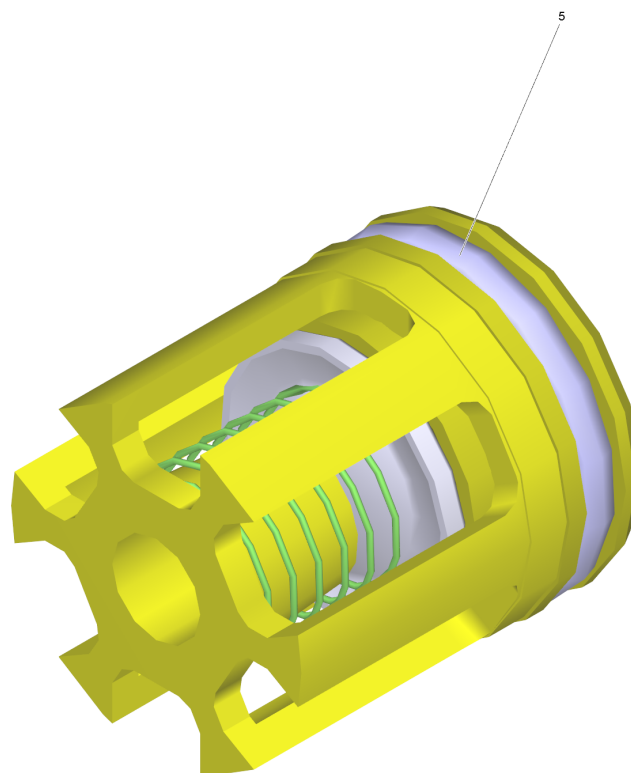
10 Cylinder head complete

POS	Article no.	Description	Quantity	Unit
3	4.580-581.3	Valve complete	1.000	ST
45	5.582-121.0	Valve disc	1.000	ST
50	5.584-114.0	Valve pin	1.000	ST
9002	5.583-146.3	Valve screw	3.000	ST
13	5.115-796.0	Washer	2.000	ST



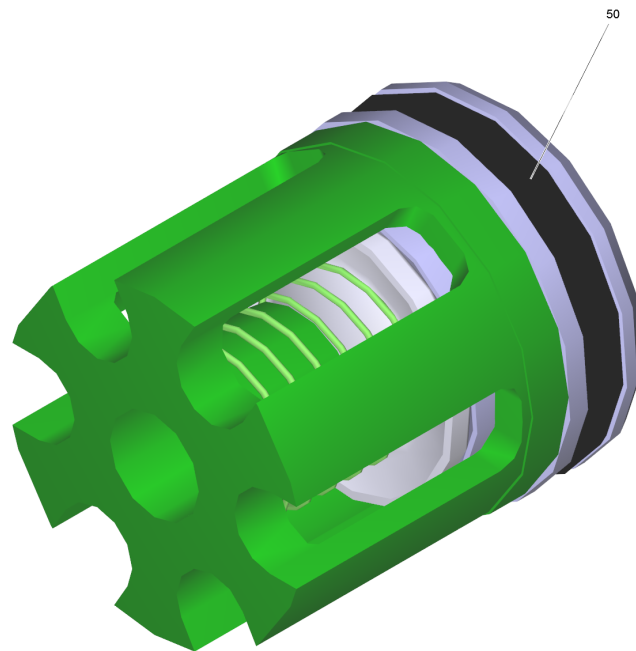
1 Valve complete (4.580-594.0)

POS	Article no.	Description	Quantity	Unit
5	6.362-381.0	O-Ring seal 13x2 - NBR 70	1.000	ST



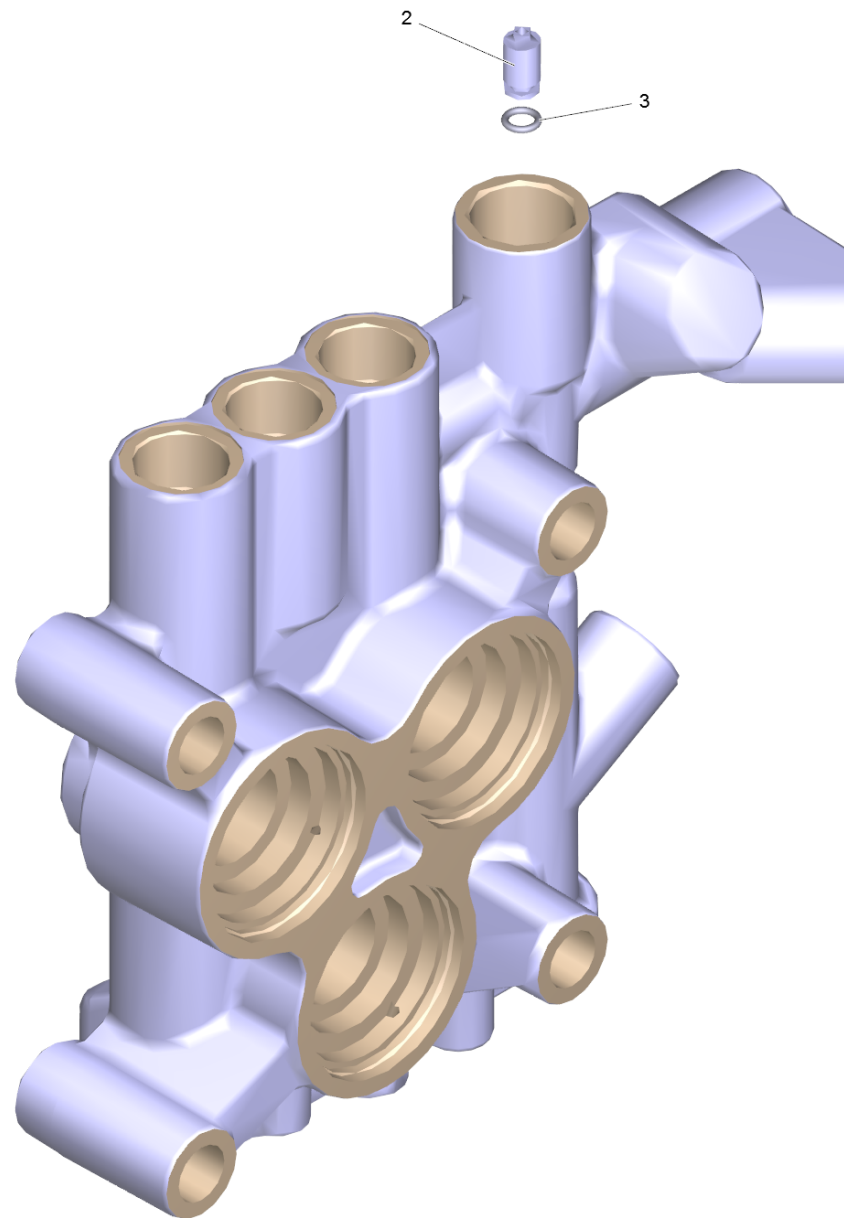
2 Valve (3 Stueck) (2.884-512.0)

POS	Article no.	Description	Quantity	Unit
5	6.363-003.0	O-Ring seal 13,0 X 2,0-NBR 90	1.000	ST



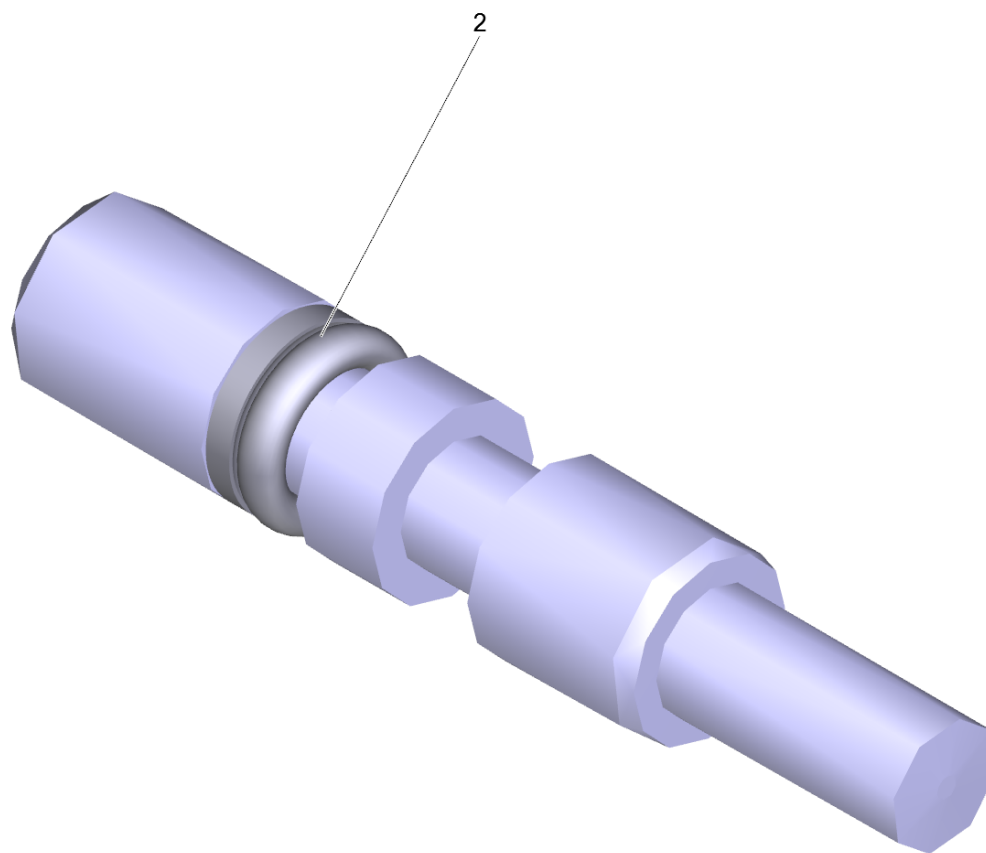
4 Valve complete (4.580-611.0)

POS	Article no.	Description	Quantity	Unit
50	6.363-003.0	O-Ring seal 13,0 X 2,0-NBR 90	1.000	ST



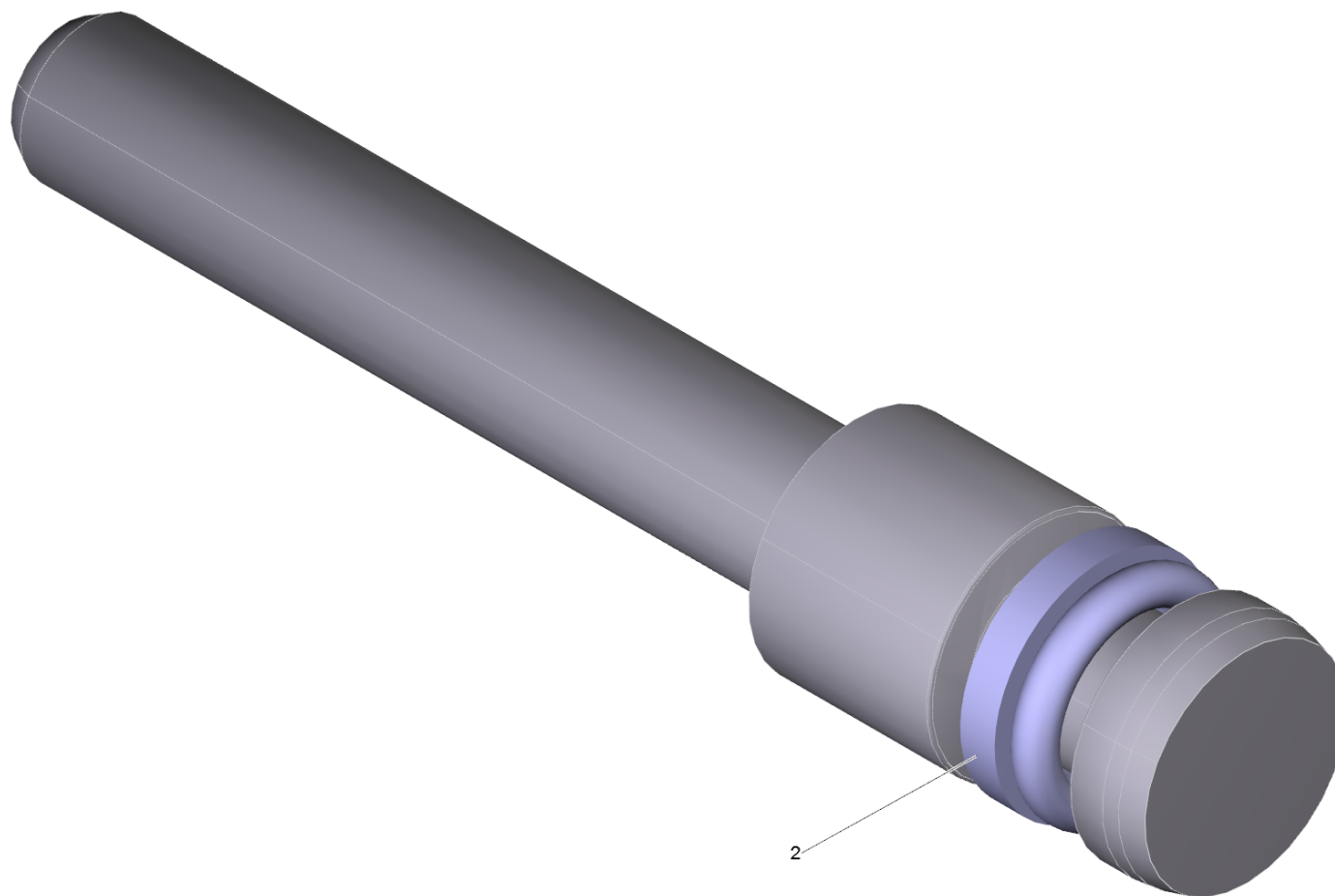
35 Cylinder head complete (4.550-887.0)

POS	Article no.	Description	Quantity	Unit
3	6.362-386.0	O-Ring seal 5,0 x 1,5-NBR 80	1.000	ST
2	5.581-239.0	Valve seat	1.000	ST



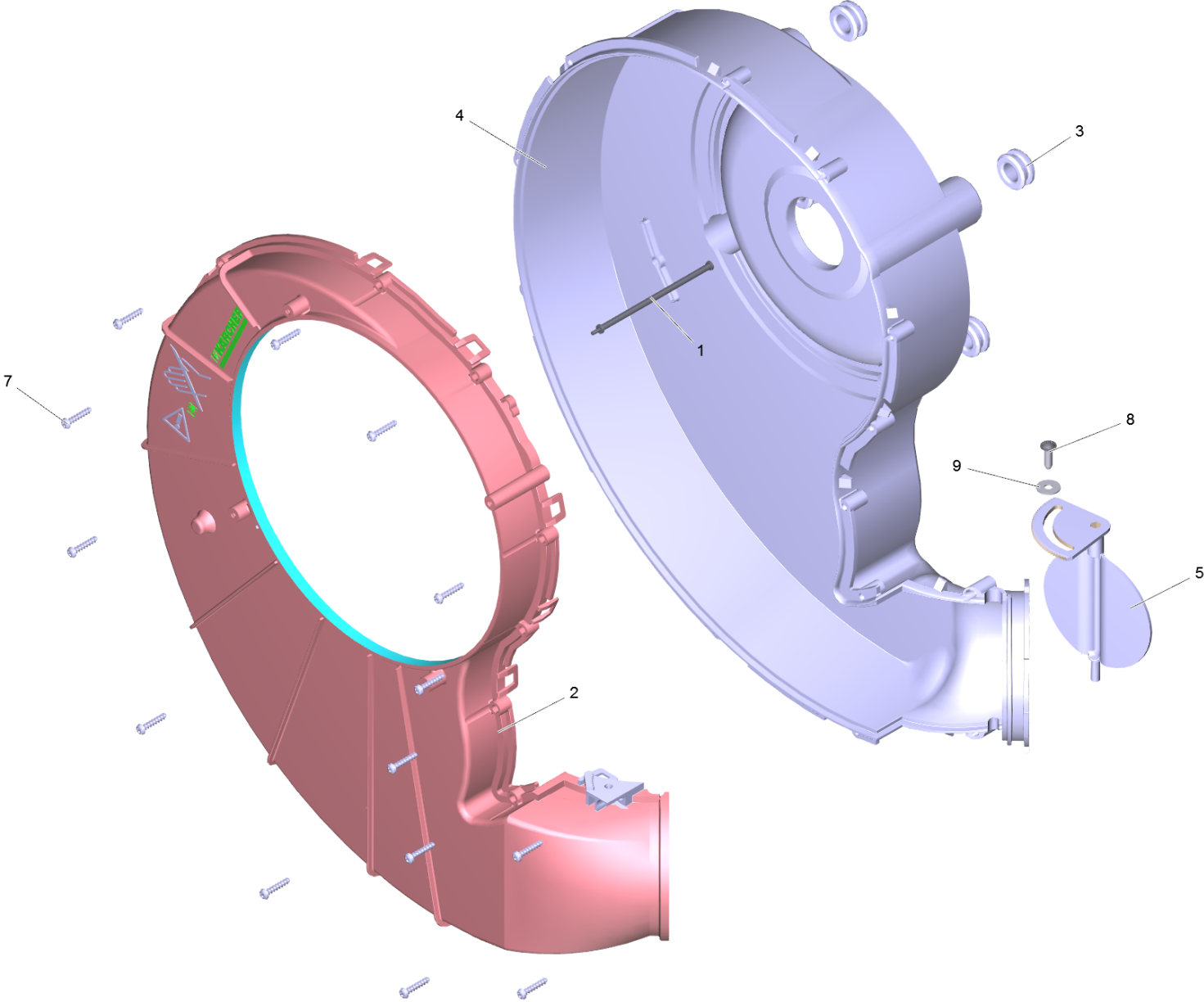
65 Piston complete (4.553-287.0)

POS	Article no.	Description	Quantity	Unit
2	6.362-468.0	O-Ring seal complete 1ST.-R.	1.000	ST



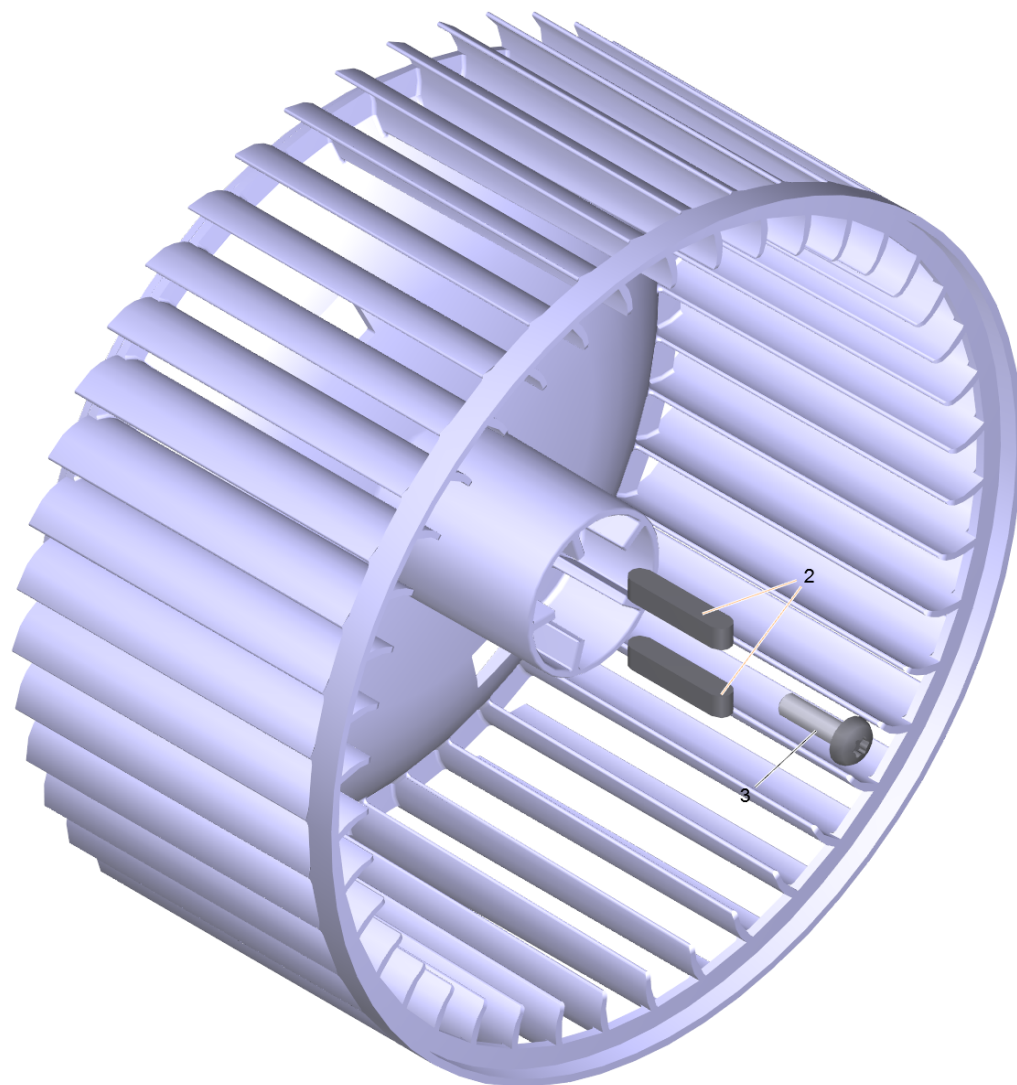
901 Piston complete only for replacement (4.553-197.0)

POS	Article no.	Description	Quantity	Unit
2	6.363-037.0	O-Ring seal complete 1ST.-R.	1.000	ST



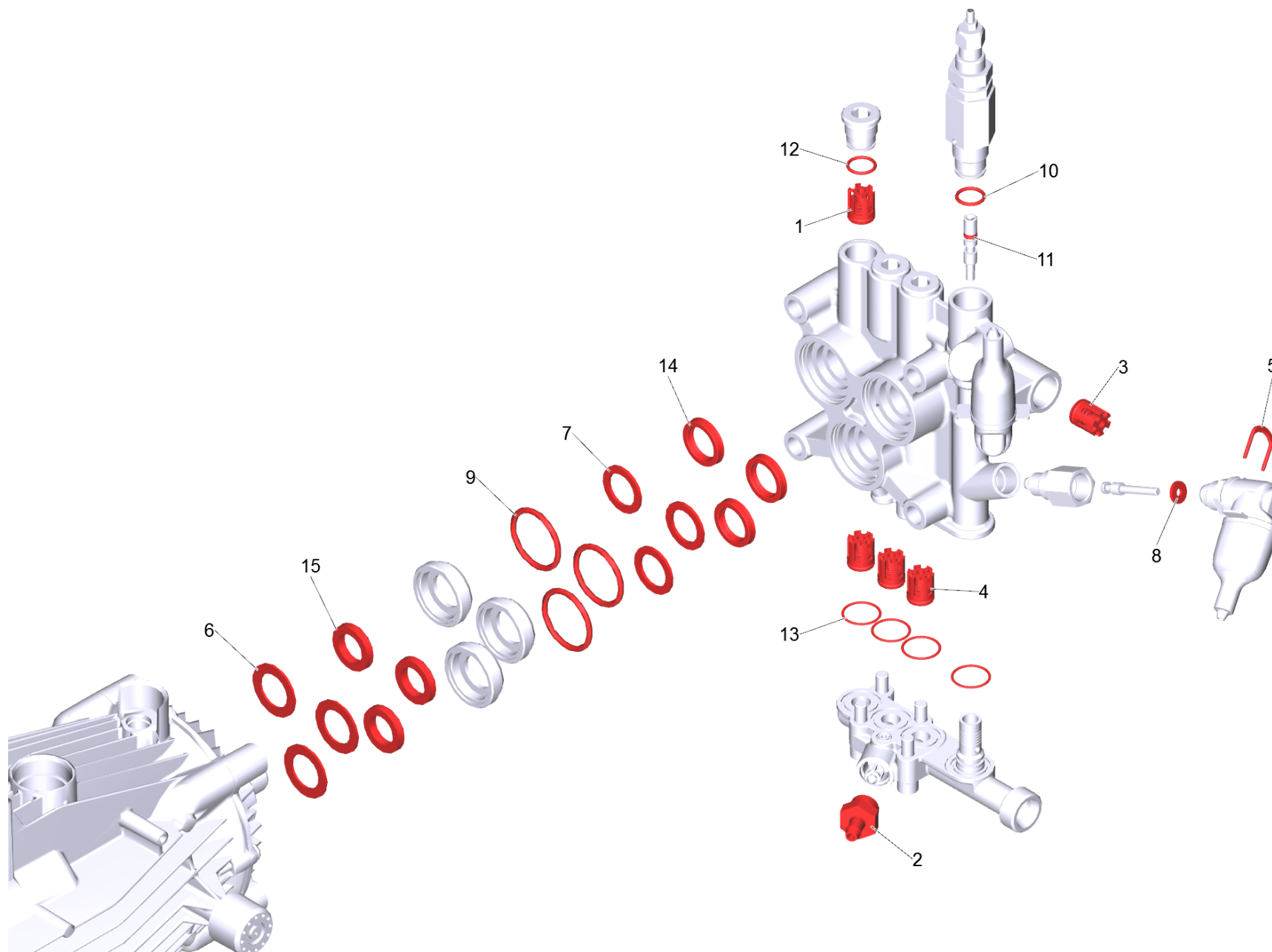
12 Housing blower complete (4.605-106.0)

POS	Article no.	Description	Quantity	Unit
5	5.606-009.0	Air flap	1.000	ST
2	5.064-238.0	Cover blower	1.000	ST
1	5.043-056.0	Holder	1.000	ST
4	5.605-307.0	Housing	1.000	ST
3	5.379-019.0	Rubber ring	4.000	ST
7	7.303-084.0	Screw 4x25 -10.9-R2R (K-In6Rd)	14.000	ST
8	7.303-107.0	Screw 5x16 -10.9-P2R (K-In6Rd)	1.000	ST
9	7.312-278.0	Washer 5-200HV-A2E ISO7093-1	1.000	ST



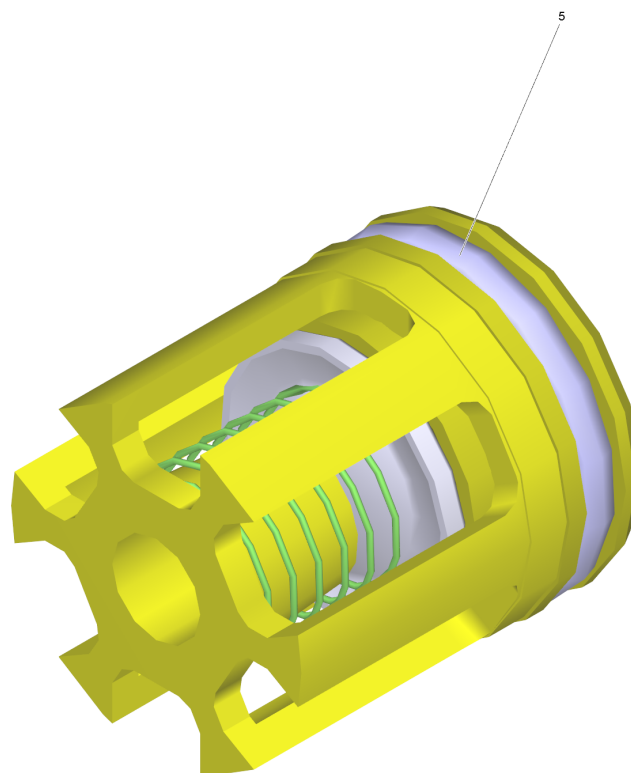
35 Conversion kit blower wheel (2.641-430.0)

POS	Article no.	Description	Quantity	Unit
2	7.318-111.0	Parallel key A 6x6x36 -C45K DIN 6885-1	2.000	ST
3	6.304-053.0	Screw M6X20-ZNBHL (Precote 30-3)	1.000	ST



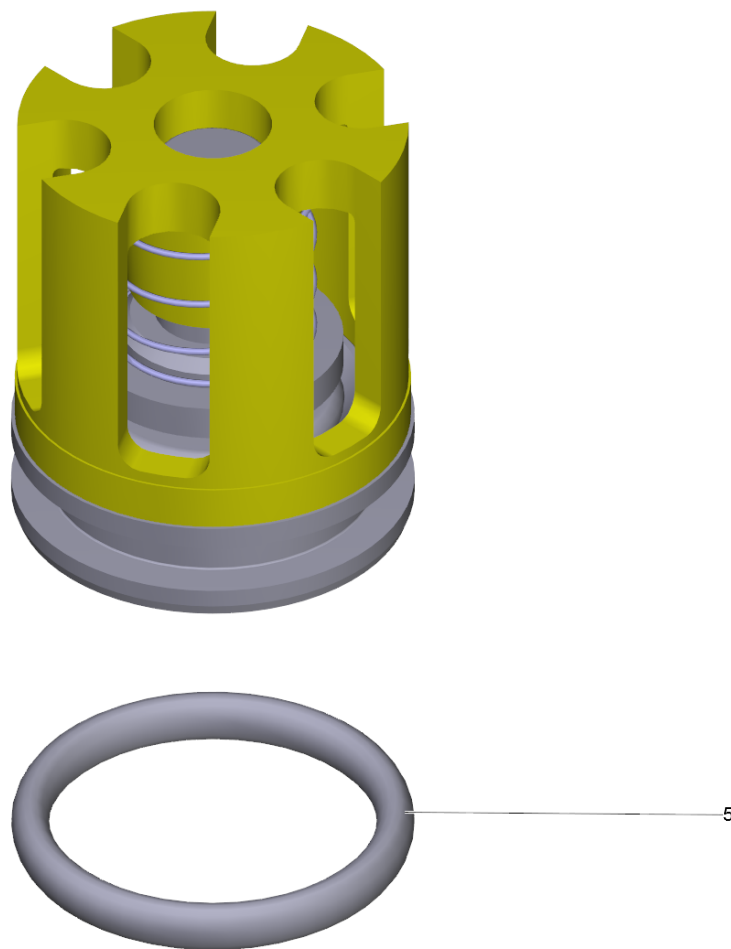
901 Spare part set pump (2.885-033.0)

POS	Article no.	Description	Quantity	Unit
15	6.365-056.0	Compact seal 22X32X6	3.000	ST
14	6.365-055.0	Grooved ring 22x30x5	3.000	ST
12	6.362-481.0	O-Ring seal 14,0 x 2,0 NBR 80	3.000	ST
10	6.362-427.0	O-Ring seal 15,0x2,0	1.000	ST
13	6.362-547.0	O-Ring seal 20,0x1,5-NBR 70	4.000	ST
9	6.362-092.0	O-Ring seal 36,0 X 2,0-NBR 70	3.000	ST
11	6.362-468.0	O-Ring seal complete 1ST.-R.	1.000	ST
5	5.034-494.0	Retaining bracket	2.000	ST
1	2.884-512.0	Valve (3 Stueck)	1.000	ST
2	4.580-581.3	Valve complete	1.000	ST
4	4.580-611.0	Valve complete	3.000	ST
3	4.580-594.0	Valve complete	1.000	ST
8	5.115-796.0	Washer	2.000	ST
6	5.115-520.0	Washer	3.000	ST
7	5.115-521.0	Washer	3.000	ST



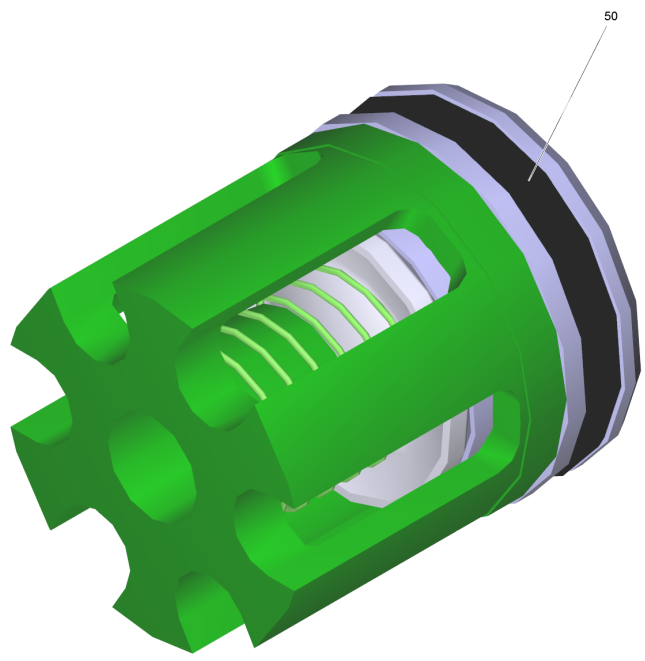
1 Valve (3 Stueck) (2.884-512.0)

POS	Article no.	Description	Quantity	Unit
5	6.363-003.0	O-Ring seal 13,0 X 2,0-NBR 90	1.000	ST



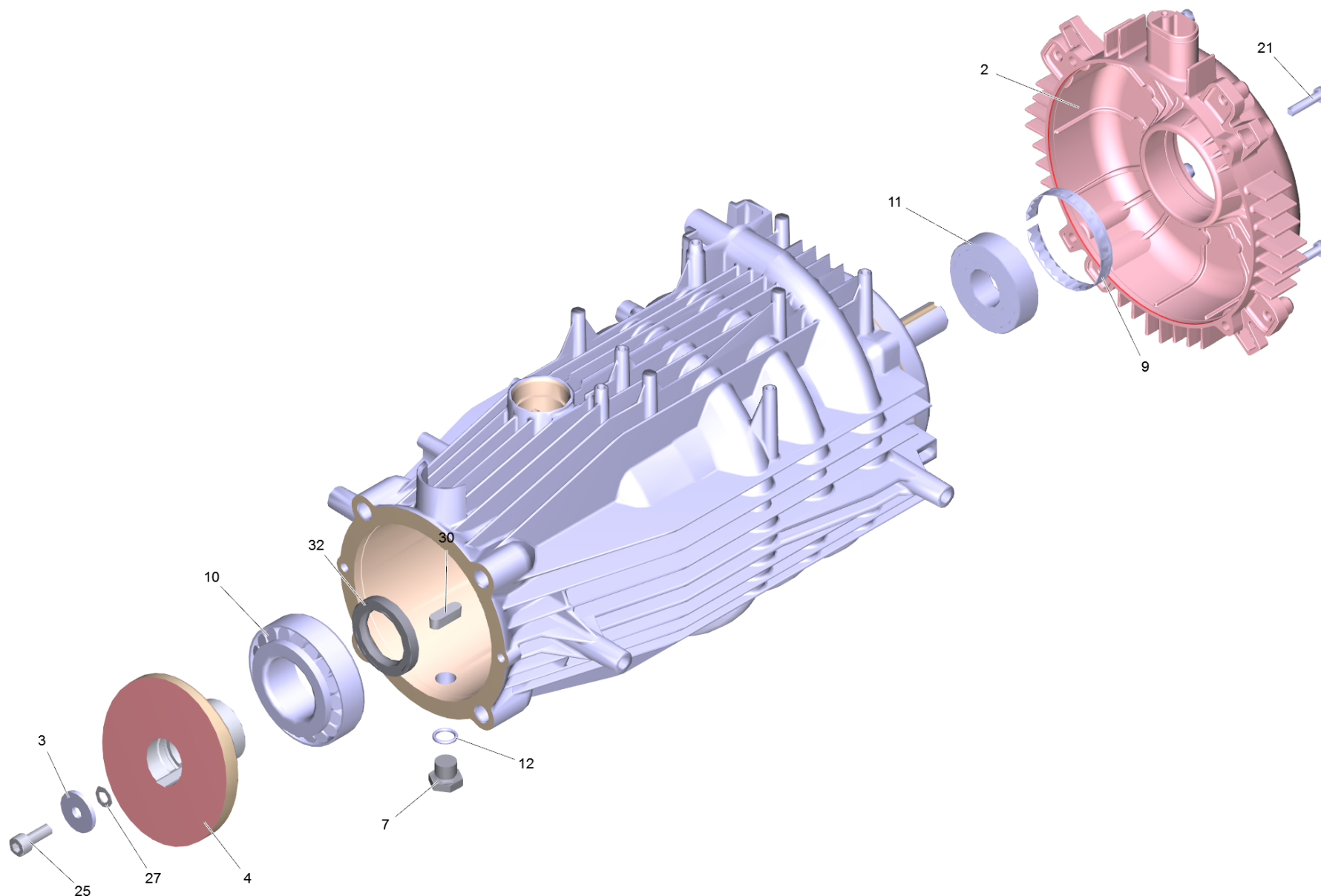
3 Valve complete (4.580-594.0)

POS	Article no.	Description	Quantity	Unit
5	6.362-381.0	O-Ring seal 13x2 - NBR 70	1.000	ST



4 Valve complete (4.580-611.0)

POS	Article no.	Description	Quantity	Unit
50	6.363-003.0	O-Ring seal 13,0 X 2,0-NBR 90	1.000	ST

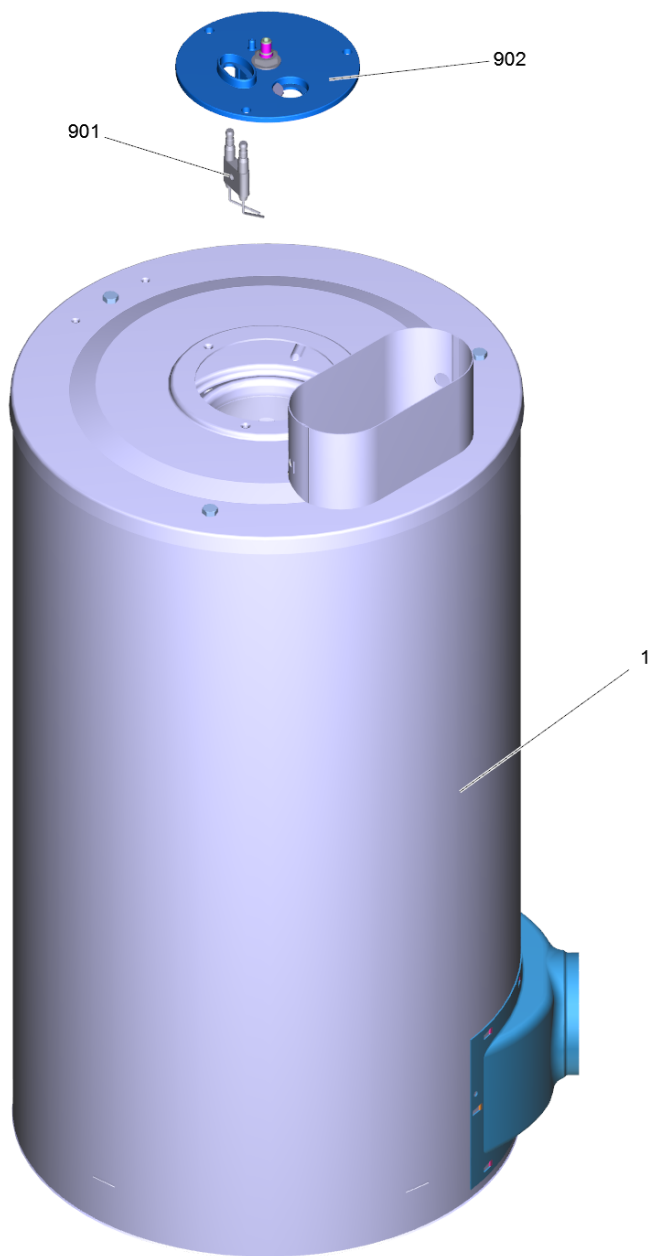


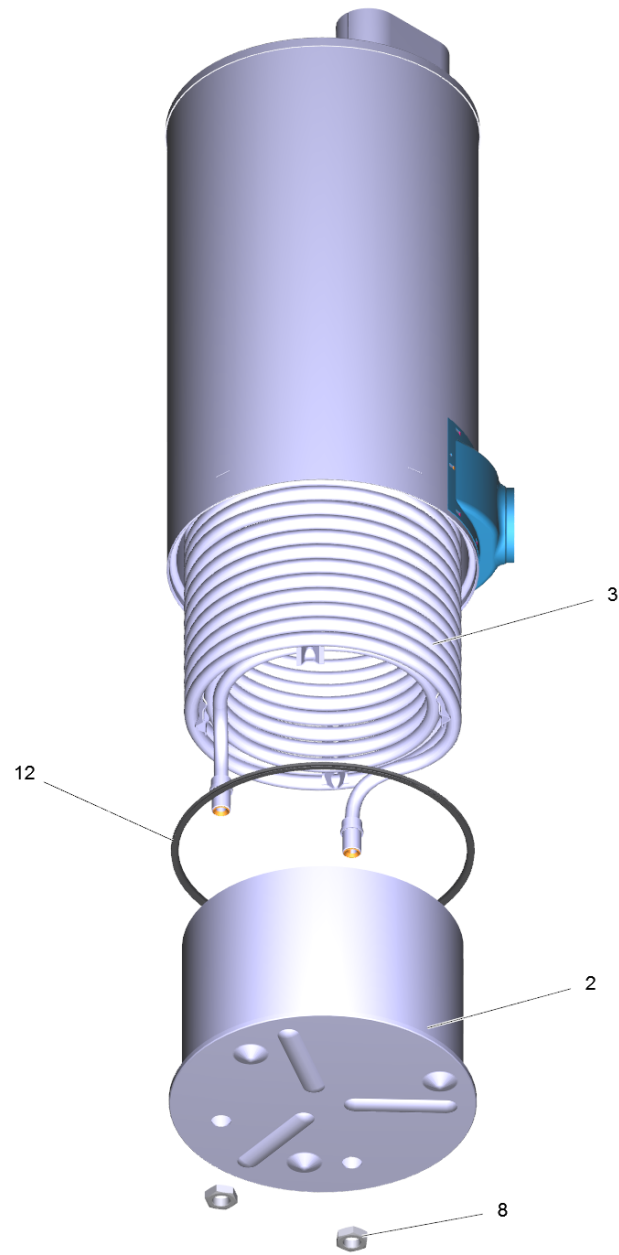
903 Motor complete only for replacement (4.623-921.0)

POS	Article no.	Description	Quantity	Unit
11	6.401-253.0	Ball bearing 6305-2Z	1.000	ST
2	5.064-006.0	Bearing cover B	1.000	ST
25	7.306-041.0	Cylinder head screw M8x20 -8.8-A2E ISO	1.000	ST
12	6.362-028.0	O-Ring seal 11x2,2 NBR 70	1.000	ST
30	7.318-035.0	Parallel key 8x7x25 -C45K DIN 6885-1	1.000	ST
6		Piece of tube	2.000	ST
32	7.367-009.0	Radial shaft seal ring A35x52x7-NBR DIN	1.000	ST
7	5.411-100.0	Screw plug	1.000	ST
21	6.303-515.0	Self-tapping screw M6x25	4.000	ST
10	6.401-225.3	Taper roller bearing 41	1.000	ST
9	6.343-010.0	Tolerance ring 62x10	1.000	ST
27	7.312-159.0	Toothed lock washer A8,4-FST-PH DIN 679	1.000	ST
3	5.115-565.0	Washer	1.000	ST
4	5.120-353.3	Wobble plate	1.000	ST

6 Piece of tube

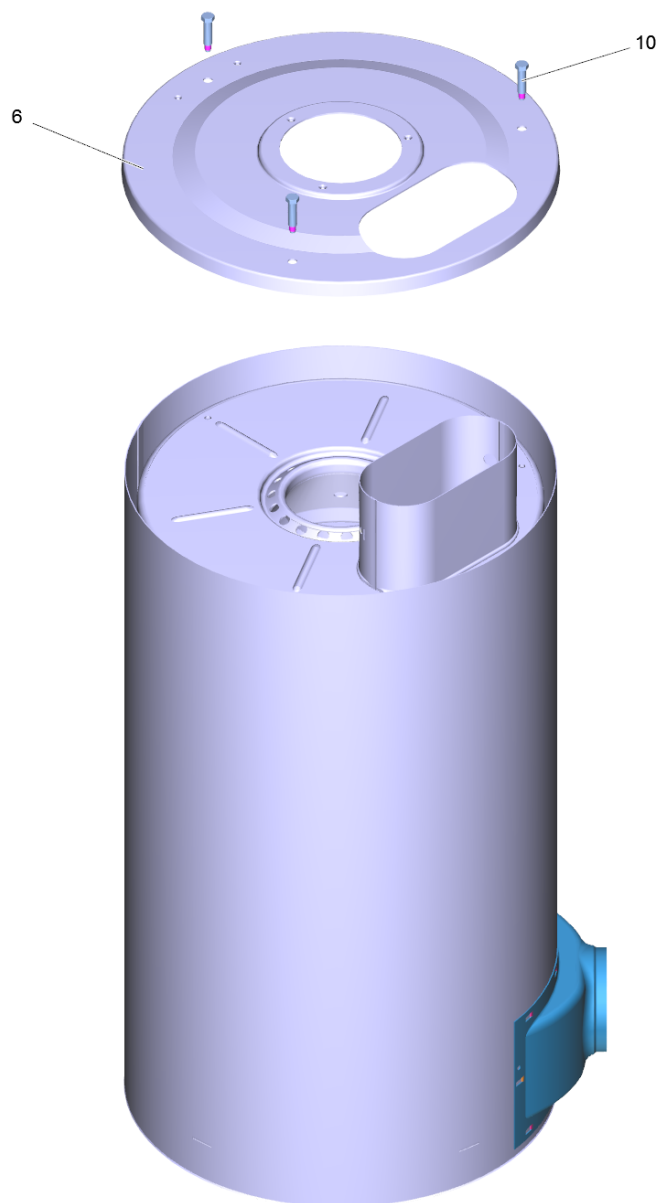
POS	Article no.	Description	Quantity	Unit
1	6.642-043.0	Insulating hose 10	0.090	M
1	6.642-043.0	Insulating hose 10	0.090	M





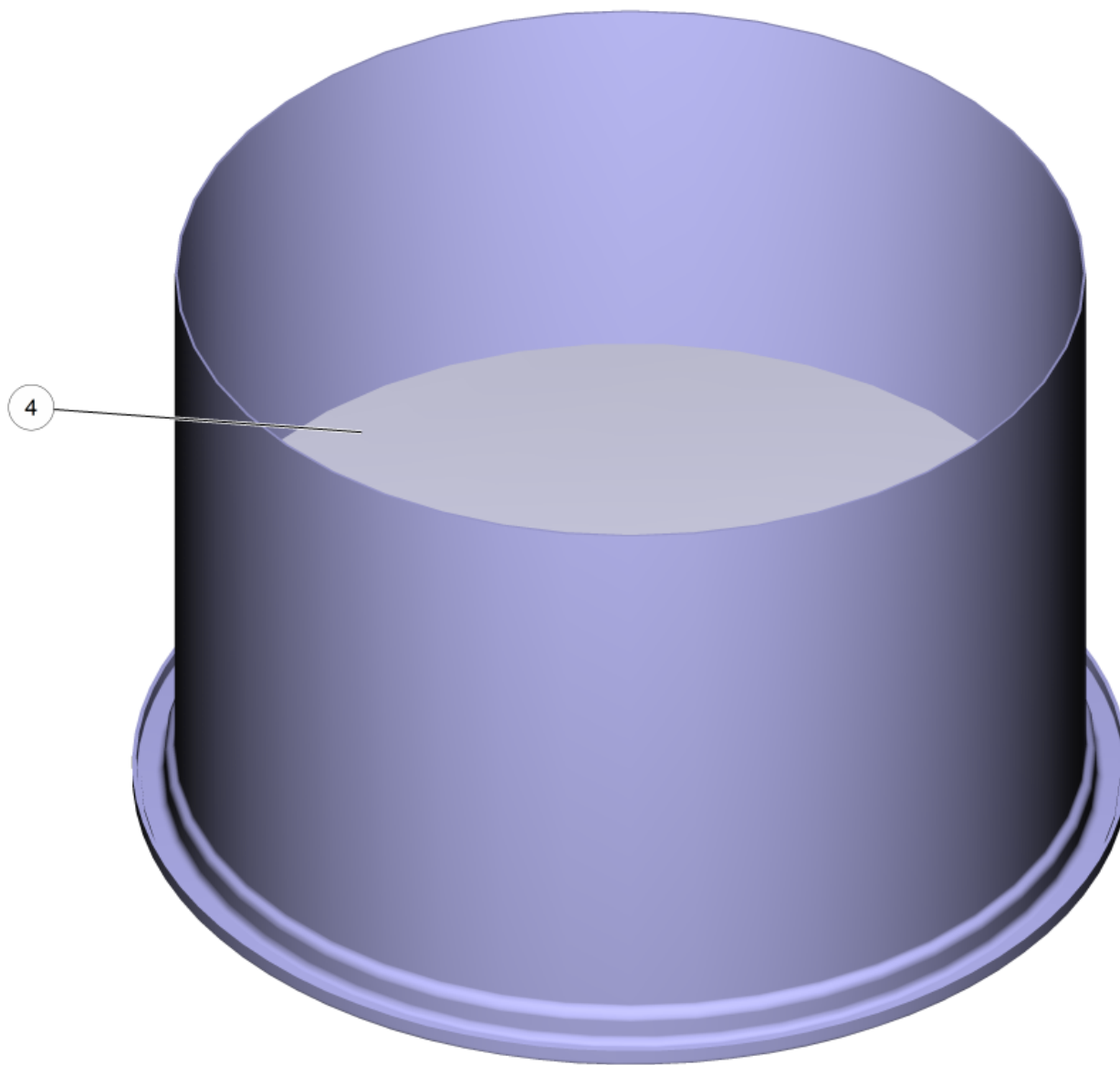
7 Boiler

POS	Article no.	Description	Quantity	Unit	Foot note text
2	4.655-048.0	Bottom pressure boiler	1.000	ST	
901	2.638-974.0	Conversion kit ignition electrode	1.000	ST	
902	4.654-218.0	Cover plate pressure boiler	1.000	ST	
3	4.680-144.0	Heating coil	1.000	ST	
3	4.680-149.0	Heating coil VA	1.000	ST	STAINLESS STEEL CONSTRUCTION
8	7.311-112.0	Hexagon nut M22X1,5 -22H-A2E DIN 936	2.000	ST	
12	6.366-039.0	Seal string	1.000	ZST	
1	4.652-143.0	Vessel mantel complete	1.000	ST	



1 Vessel mantel complete (4.652-143.0)

POS	Article no.	Description	Quantity	Unit
6	5.654-079.0	Cover plate pressure boiler external	1.000	ST
10	6.303-258.0	Self-tapping screw	3.000	ST

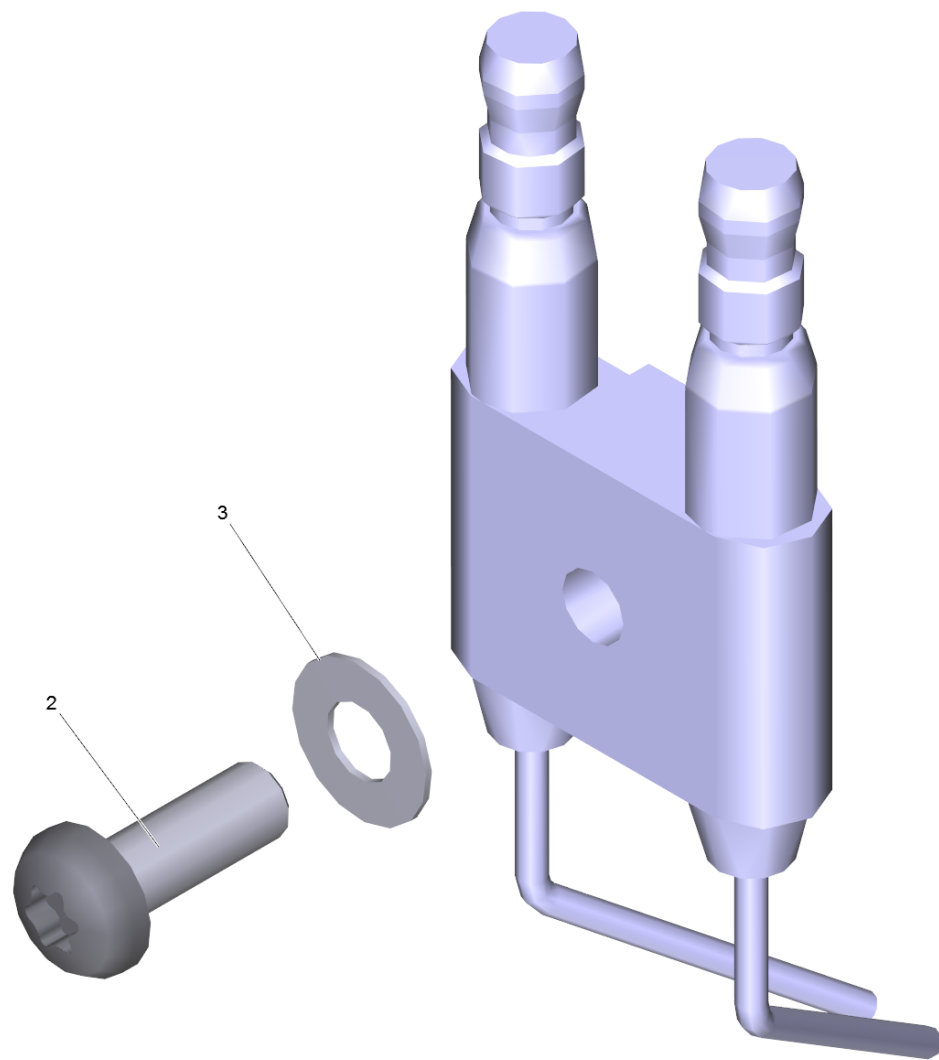


2 Bottom pressure boiler (4.655-048.0)

POS	Article no.	Description	Quantity	Unit
4	2.889-061.0	Refractory material 8kg	1.000	ST

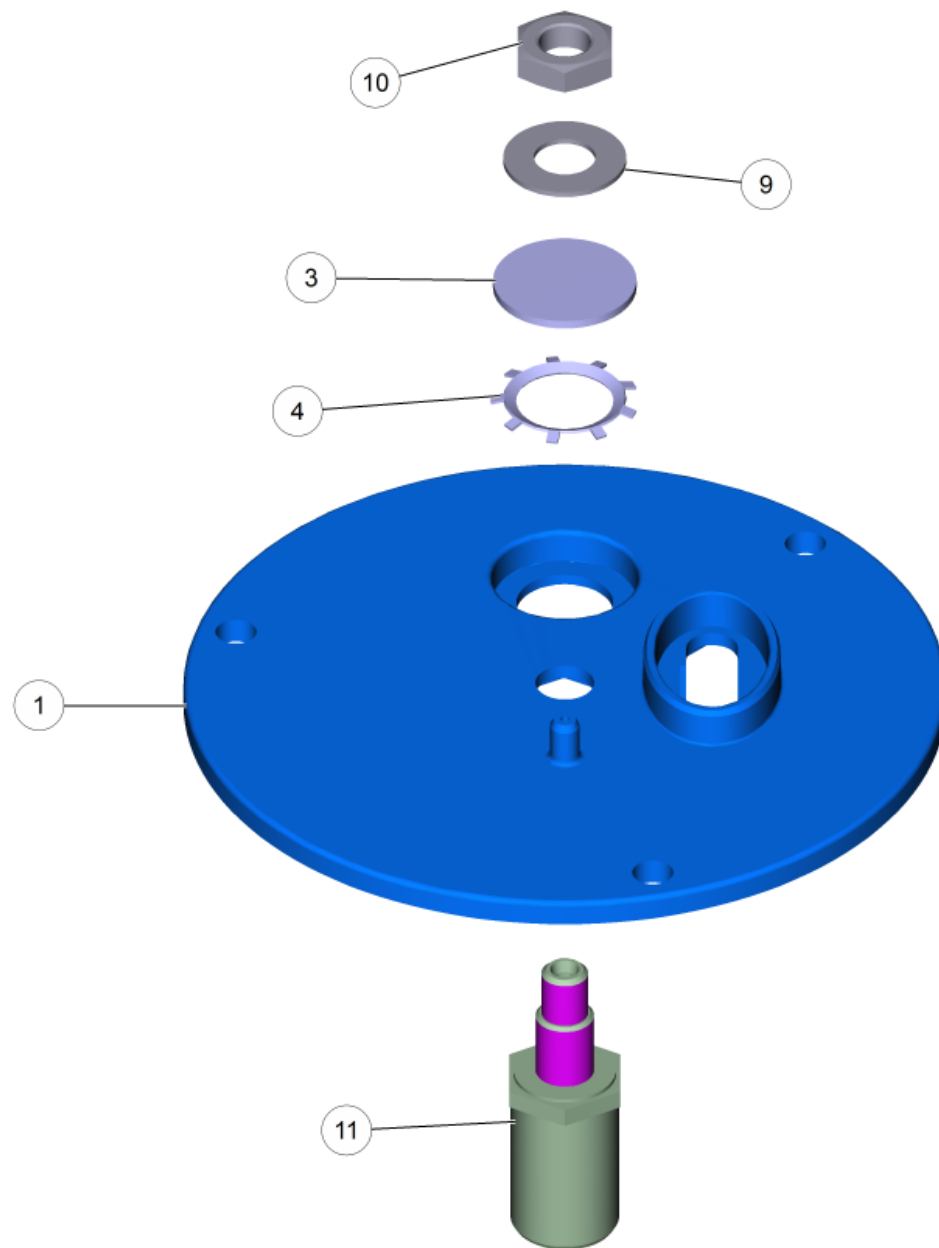
3 Heating coil (4.680-144.0)

POS	Article no.	Description	Quantity	Unit
999	5.363-360.0	Seal	2.000	ST



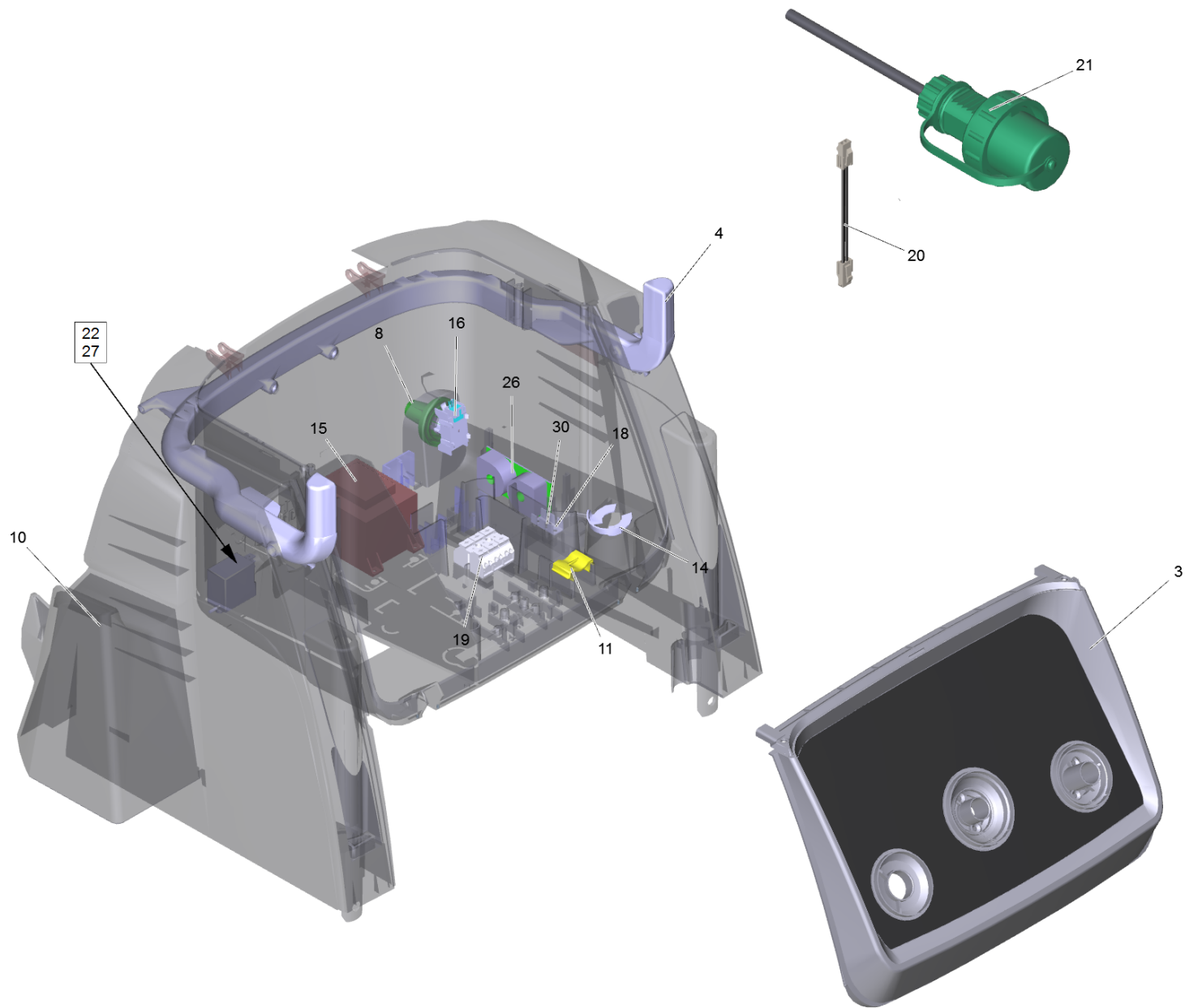
901 Conversion kit ignition electrode (2.638-974.0)

POS	Article no.	Description	Quantity	Unit
2	7.306-217.0	Screw M5x14 -8.8-R2R (In6Rd)	1.000	ST
3	7.312-304.0	Spring washer B 5-FST-A2E DIN 137	1.000	ST



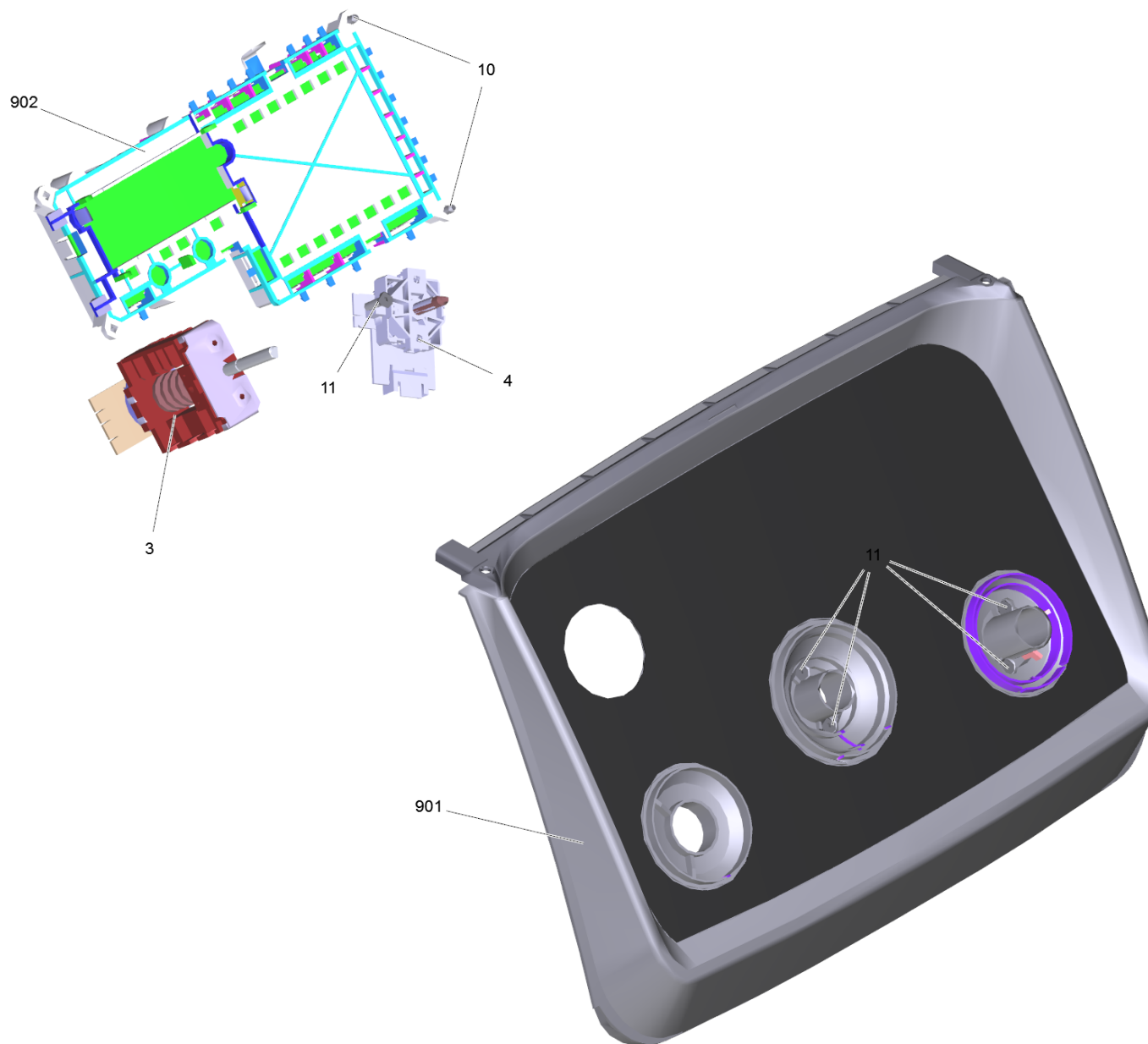
902 Cover plate pressure boiler (4.654-218.0)

POS	Article no.	Description	Quantity	Unit
1	5.662-022.0	Burner cover	1.000	ST
3	6.278-018.0	Glass pane	1.000	ST
10	7.311-101.0	Hexagon nut M10x1 -04-A2E ISO 8675	1.000	ST
11	5.667-055.0	Nozzle holder	1.000	ST
4	6.343-165.0	Serrated ring	1.000	ST
9	7.312-302.0	Spring washer B10-FST-A2E DIN 137	1.000	ST



8 Electric control box complete

POS	Article no.	Description	Quantity	Unit
22	6.649-383.0	Cable 2x0,35 700mm	1.000	ST
20	6.649-533.0	Cable 3xAWG22 500mm	1.000	ST
21	6.649-380.0	Cable with plug 4x2,5mm ²	1.000	ST
26	6.682-881.0	Circuit board current transformer	1.000	ST
3		Control panel complete	1.000	ST
15	6.622-283.3	Control transformer	1.000	ST
8	5.324-172.0	Handle qusty grey RAL 7037	1.000	ST
11	5.802-307.0	Holder cable	1.000	ST
14	6.343-186.0	Locking ring	1.000	ST
10	5.801-151.0	Mounting plate	1.000	ST
18	6.641-270.0	Plug	1.000	ST
4	5.033-111.0	Profile	1.000	ST
30	7.303-106.0	Screw 4x12 -10.9-R2R (IN6RD)	1.000	ST
16	6.630-423.0	Switch service	1.000	ST
19	6.644-364.0	Terminal clamp four-core triple-pole	1.000	ST
27	4.686-029.0	Thermostat only for replacement	1.000	ST



3 Control panel complete

POS	Article no.	Description	Quantity	Unit
901	4.841-389.0	Control panel only for replacement	1.000	ST
11	7.305-019.0	Countersunk screw M4x16 -8.8-R2R (In6Rd	4.000	ST
902	2.885-053.0	Frame circuit board complete	1.000	ST
10	7.303-106.0	Screw 4x12 -10.9-R2R (IN6RD)	2.000	ST
3	6.630-421.3	Switch program selection	1.000	ST
4	6.630-422.0	Switch temperature	1.000	ST

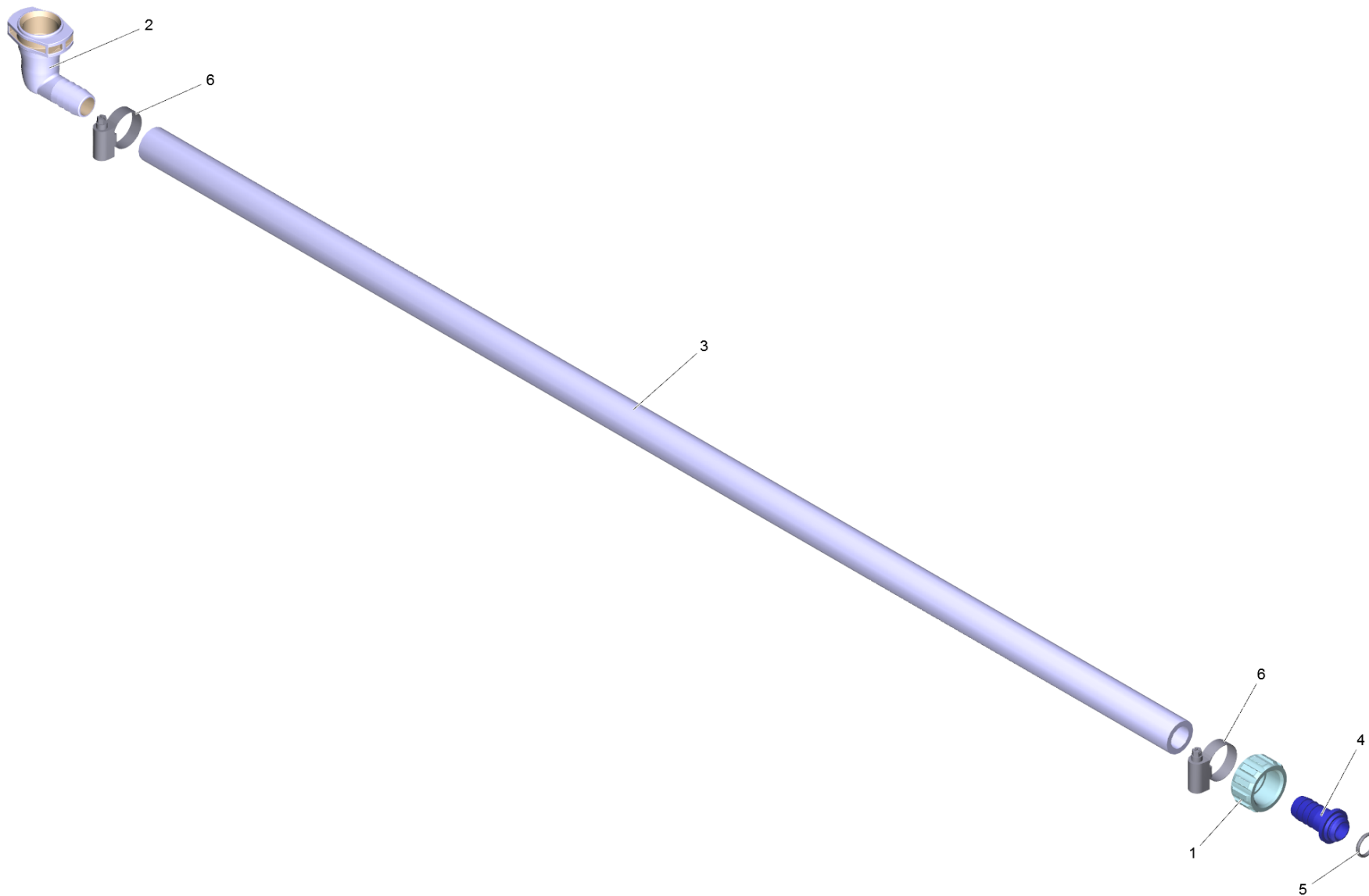
14 Device cover complete only for replaceme (4.066-426.0)

POS	Description	Quantity	Unit
1	Device cover complete basalt grey RAL 70	1.000	ST



1 Device cover complete basalt grey RAL 70

POS	Article no.	Description	Quantity	Unit
7	5.317-291.0	Bolt	2.000	ST
6	5.317-765.0	Bolt closure cover	1.000	ST
10	5.317-779.0	Bolt hinge black	2.000	ST
14	5.424-162.0	Fixing jet pipe	2.000	ST
11	5.332-236.0	Helical spring	1.000	ST
15	5.501-083.0	Hinge cover black	2.000	ST
21	5.385-513.0	Label logo glued XL Professional	2.000	ST
20	5.385-517.0	Label signet glued L Professional	1.000	ST
4	5.314-143.0	Pin fixing jet pipe	4.000	ST
1	5.061-455.0	Sheet metal component	1.000	ST

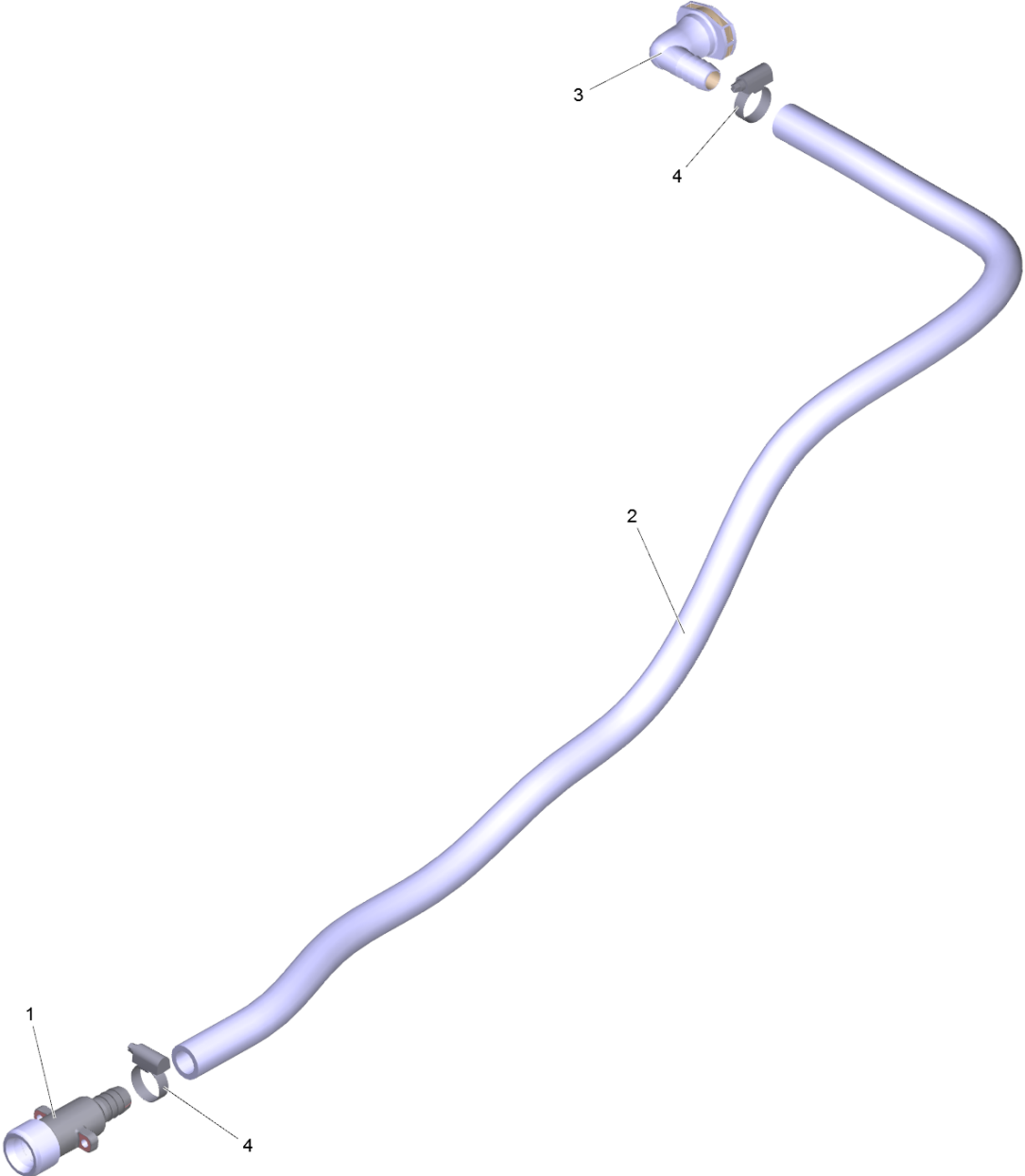


17 Hose float

POS	Article no.	Description	Quantity	Unit
6	7.373-022.0	Hose clip A-16-27x9 -W2-2 DIN3017	2.000	ST
4	5.443-224.0	Hose stem	1.000	ZST
2	5.427-415.0	Manifold	1.000	ST
1	5.310-062.0	Nut	1.000	ST
5	6.362-078.0	O-Ring seal 13,3x2,4	1.000	ST
3		Piece of tube	1.000	ST

3 Piece of tube

POS	Article no.	Description	Quantity	Unit
1	6.388-719.0	Hose DN17	0.910	M

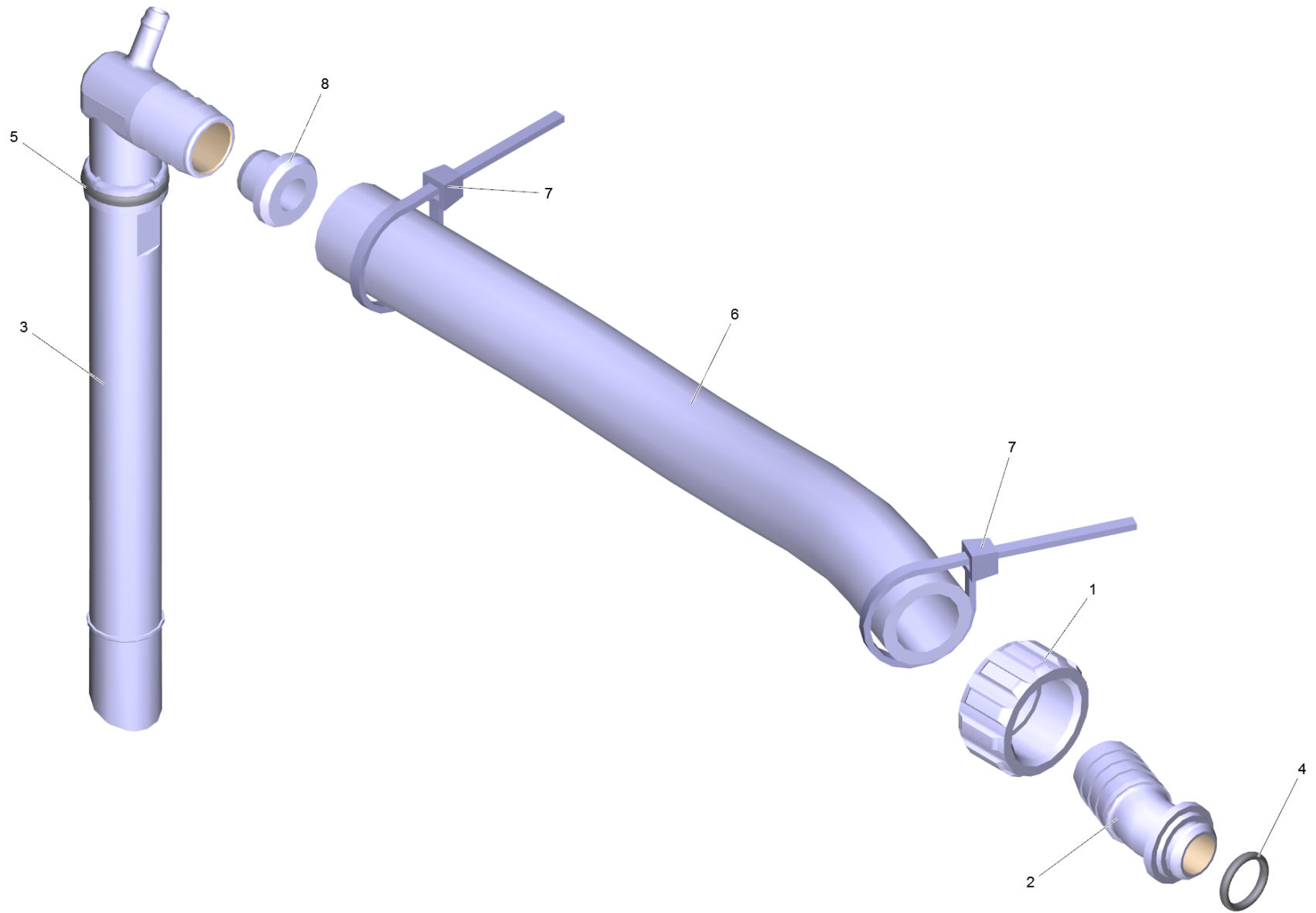


18 Hose water connection 2-Rad (4.440-792.0)

POS	Article no.	Description	Quantity	Unit
4	7.373-022.0	Hose clip A-16-27x9 -W2-2 DIN3017	2.000	ST
3	5.427-415.0	Manifold	1.000	ST
1	5.427-432.0	Manifold	1.000	ST
2		Piece of tube	1.000	ST

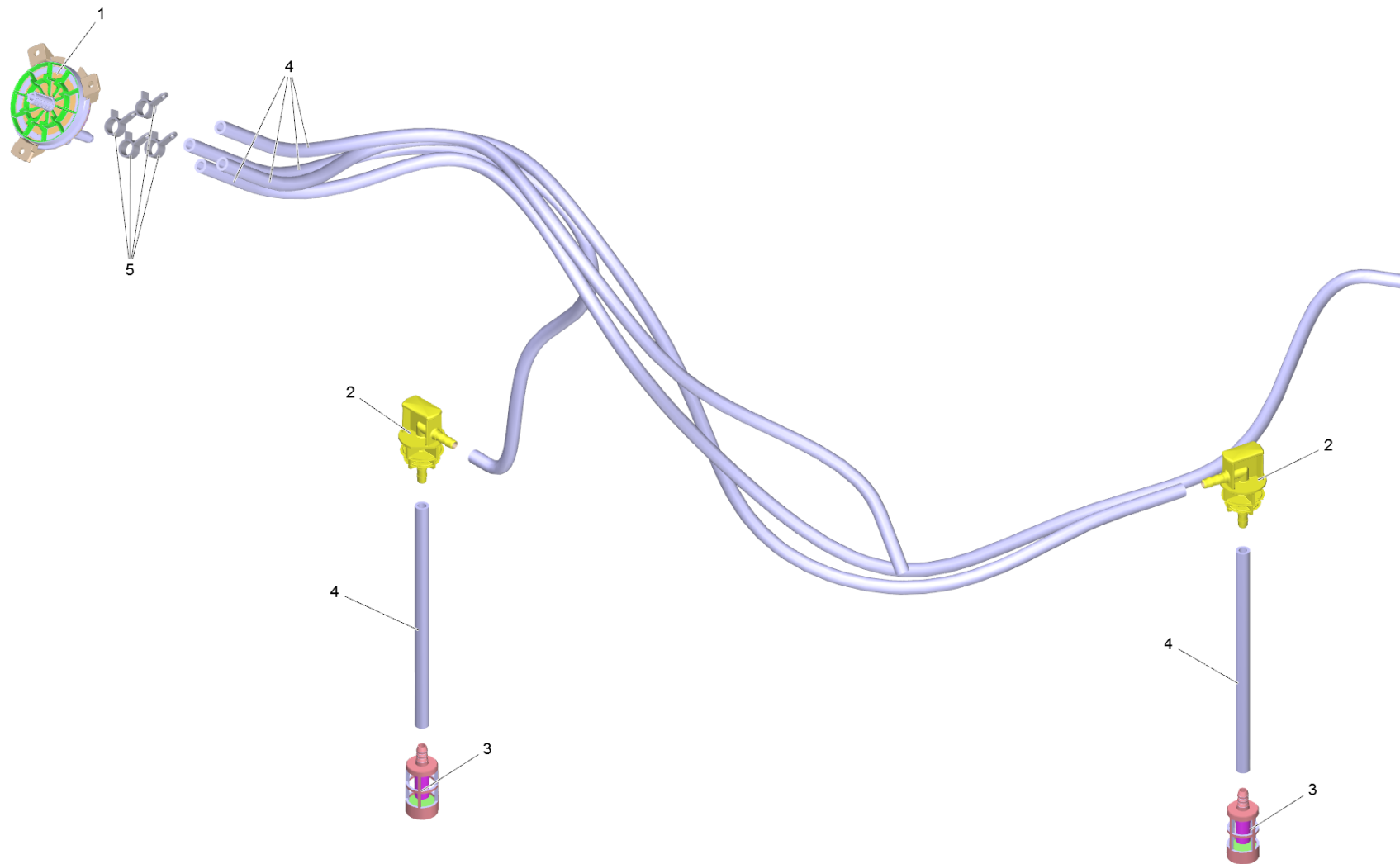
2 Piece of tube

POS	Article no.	Description	Quantity	Unit
1	6.388-719.0	Hose DN17	1.070	M



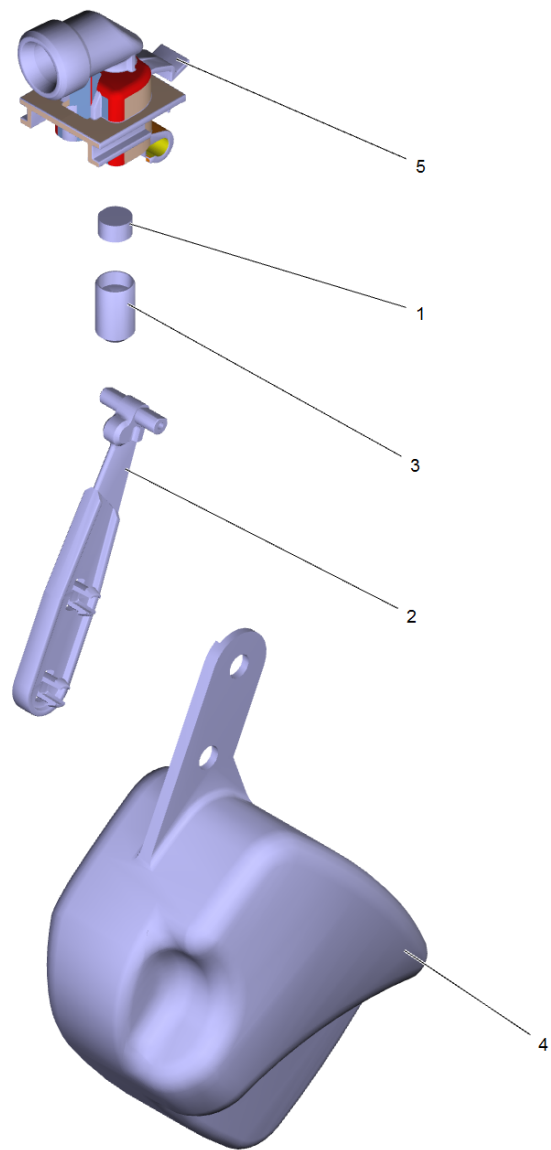
24 Hose float

POS	Article no.	Description	Quantity	Unit
8	5.112-411.0	Bush	1.000	ST
7	6.641-474.0	Cable tape 8-210	2.000	ST
3	5.443-553.0	Connection piece	1.000	ST
2	5.443-365.0	HOSE STEM (HDS555C)	1.000	ST
1	5.310-167.0	Nut G 3/4"	1.000	ST
4	6.362-078.0	O-Ring seal 13,3x2,4	1.000	ST
5	6.362-161.0	O-Ring seal 19,3 X 2,4	1.000	ST
6	6.392-258.0	Piece of tube 19x4x280	1.000	ST



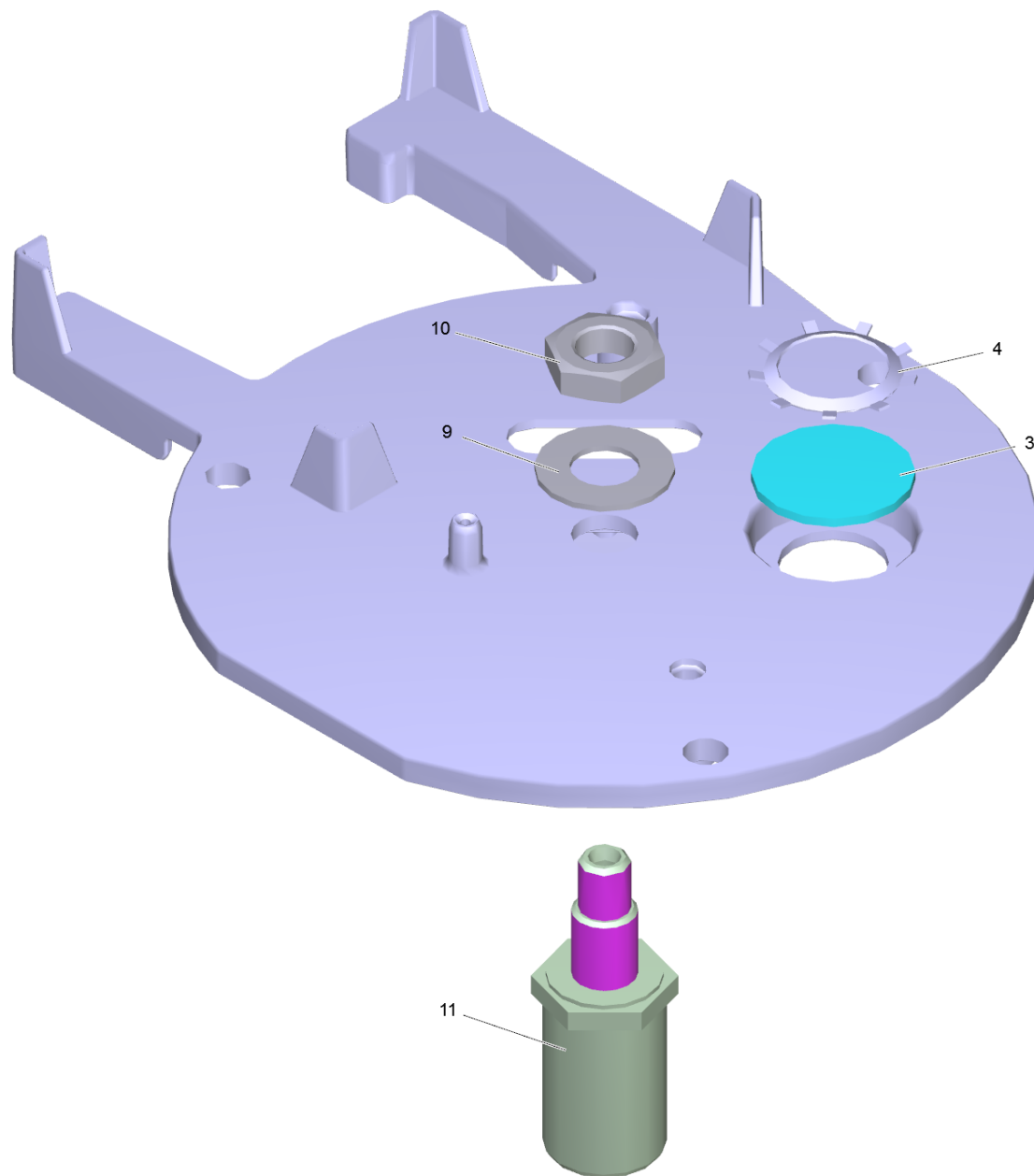
28 Valve cleaning agents complete

POS	Article no.	Description	Quantity	Unit
3	5.731-638.0	Filter with weight	2.000	ST
4	6.391-341.0	Hose chemistry DN 6	4.970	M
5	6.388-559.0	Hose clip	4.000	ST
2	5.132-195.0	Plug aspiration chemistry	2.000	ST
1	4.063-842.0	Proportioning valve chemistry	1.000	ST



30 Float valve

POS	Article no.	Description	Quantity	Unit
1	5.364-095.0	Flat gasket	1.000	ST
4	5.585-030.0	Float	1.000	ST
2	5.481-256.0	Lever	1.000	ST
5	5.587-214.0	Valve housing	1.000	ST
3	5.584-085.0	Valve pin	1.000	ST

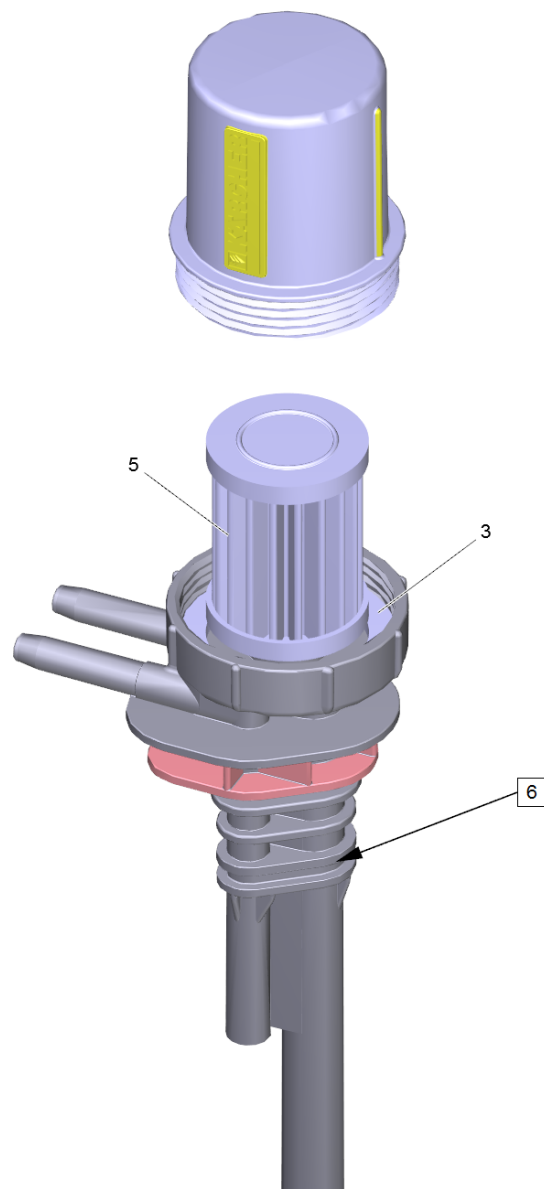


32 Cover pressure boiler only for replaceme (4.654-288.0)

POS	Article no.	Description	Quantity	Unit
3	6.278-018.0	Glass pane	1.000	ST
10	7.311-101.0	Hexagon nut M10x1 -04-A2E ISO 8675	1.000	ST
11	5.667-055.0	Nozzle holder	1.000	ST
4	6.343-165.0	Serrated ring	1.000	ST
9	7.312-302.0	Spring washer B10-FST-A2E DIN 137	1.000	ST

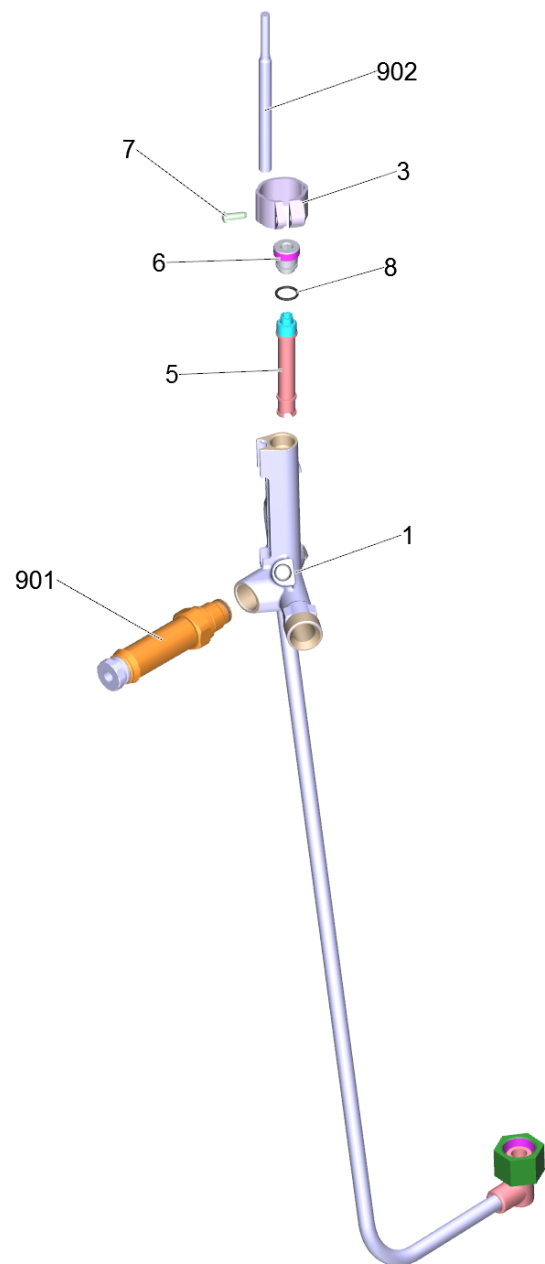
35 Filter complete (4.730-167.3)

POS	Article no.	Description	Quantity	Unit
1	4.730-167.0	Filter complete	1.000	ST



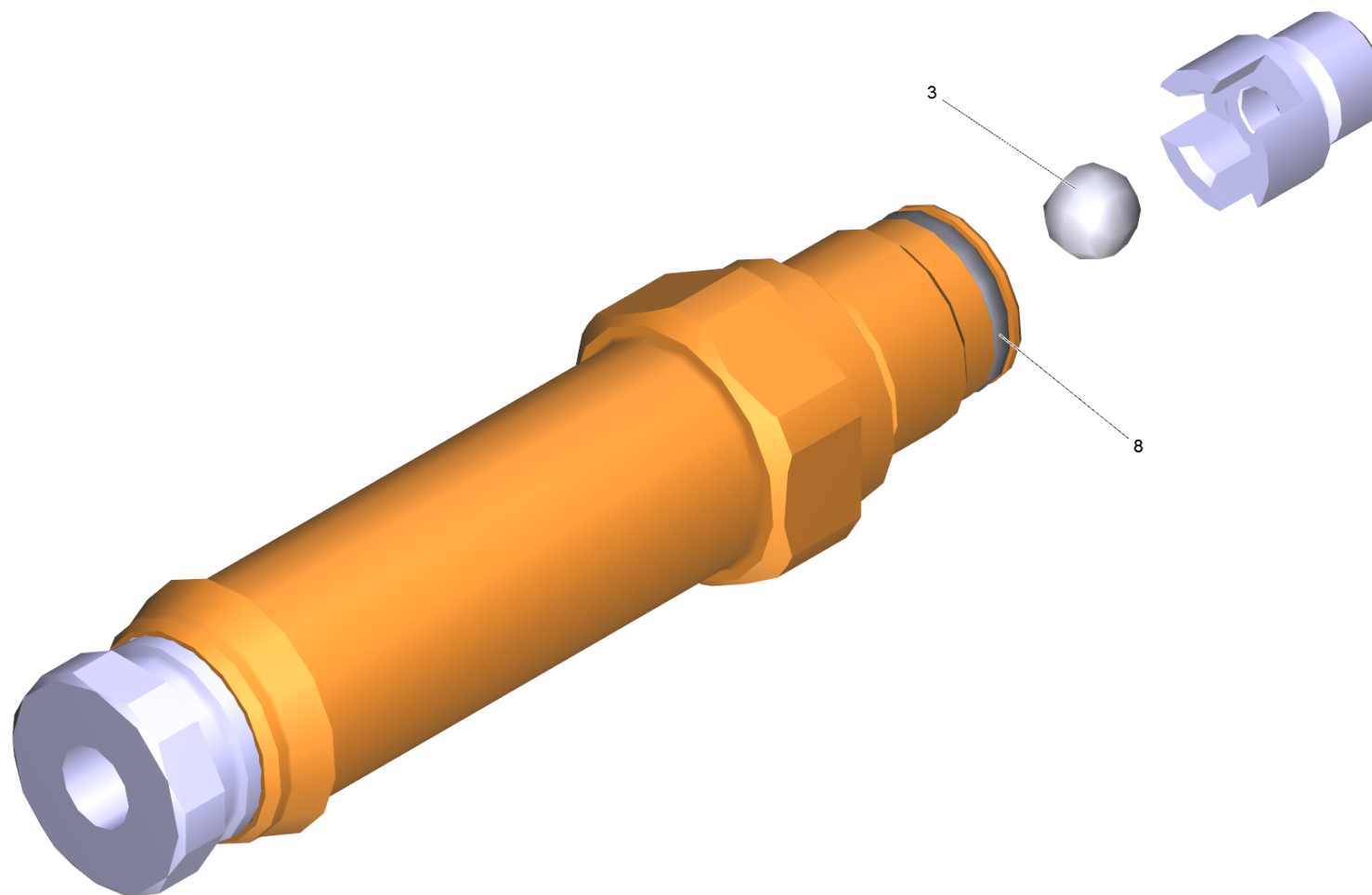
1 Filter complete (4.730-167.0)

POS	Article no.	Description	Quantity	Unit
5	6.414-559.0	Filter fuel	1.000	ST
6	6.362-079.0	O-Ring seal 18,0 X 2,5	1.000	ST
3	5.363-629.0	Seal	1.000	ST



45 Safety system

POS	Article no.	Description	Quantity	Unit
5	4.551-058.0	Cartridge protection against water short	1.000	ST
3	5.041-076.0	Clamp	1.000	ST
7	6.303-122.0	M4 .2X13 DIN 7981 TORX T15 PAN HD HI/LO	1.000	ST
1	4.427-039.0	Manifold complete screw plug	1.000	ST
8	6.362-482.0	O-Ring seal 10 x 1,5-NBR 70	1.000	ST
902	2.885-051.0	Reed switch replacement	1.000	ST
901	4.580-709.0	Safety valve complete replacement	1.000	ST
6	5.305-162.0	Shaped screw	1.000	ST

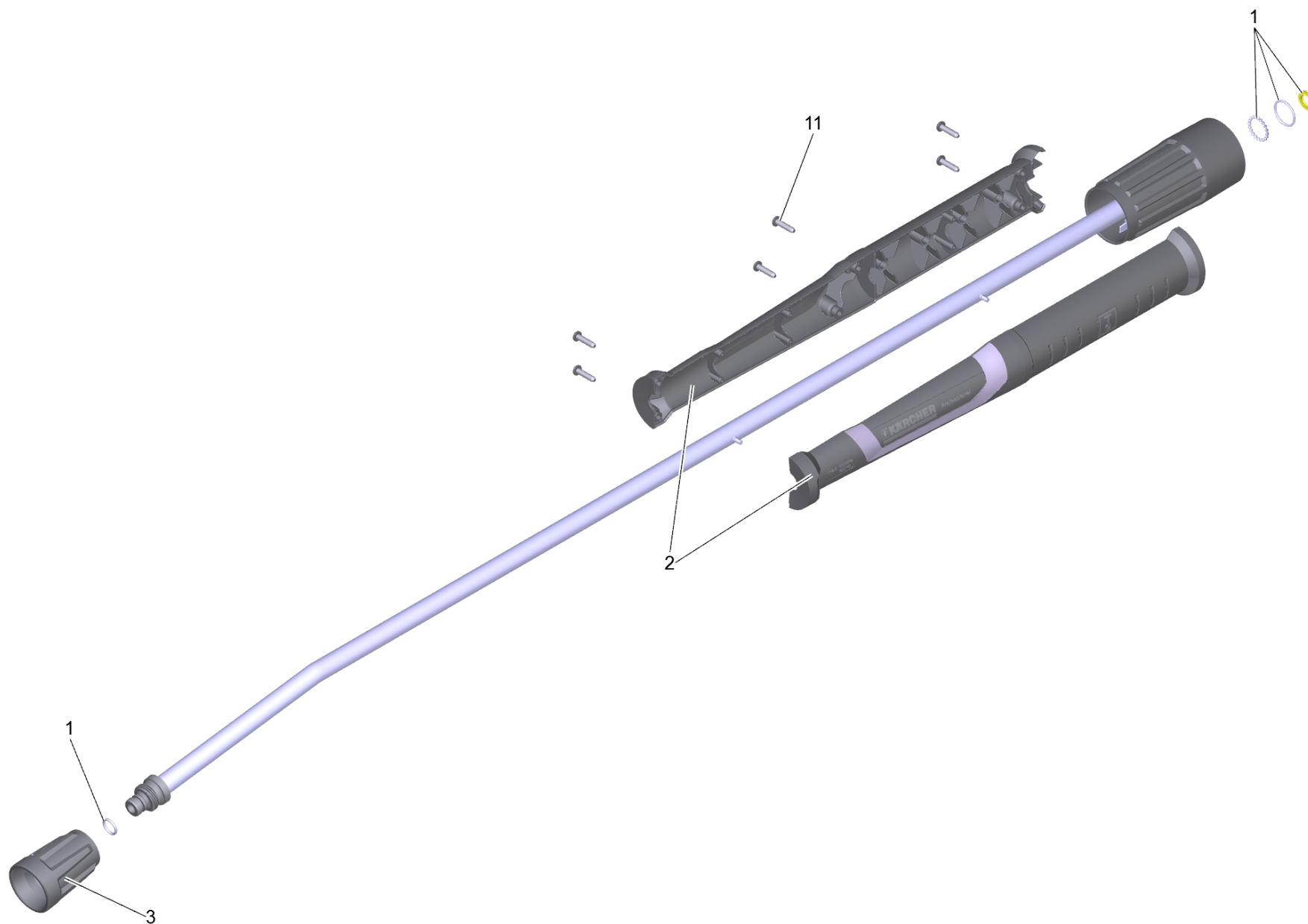


901 Safety valve complete replacement (4.580-709.0)

POS	Article no.	Description	Quantity	Unit
8	6.362-845.0	O-Ring seal 10,82x 1,78	1.000	ST
3	6.401-429.0	Sphere polyamide 8mm	1.000	ST

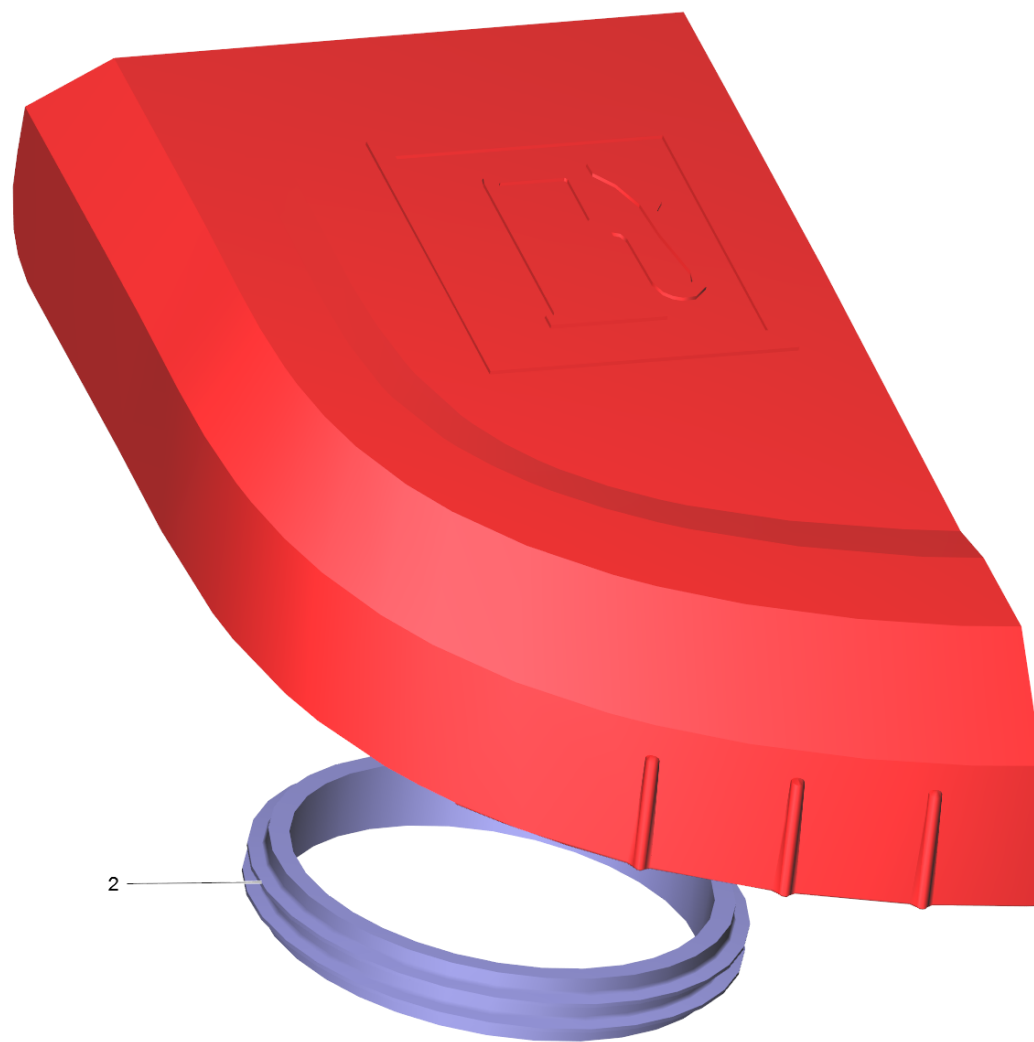
46 Jet pipe TR 1050 mm (4.112-000.0)

POS	Article no.	Description	Quantity	Unit
1	4.112-012.0	Jet pipe TR 1050 mm	1.000	ST



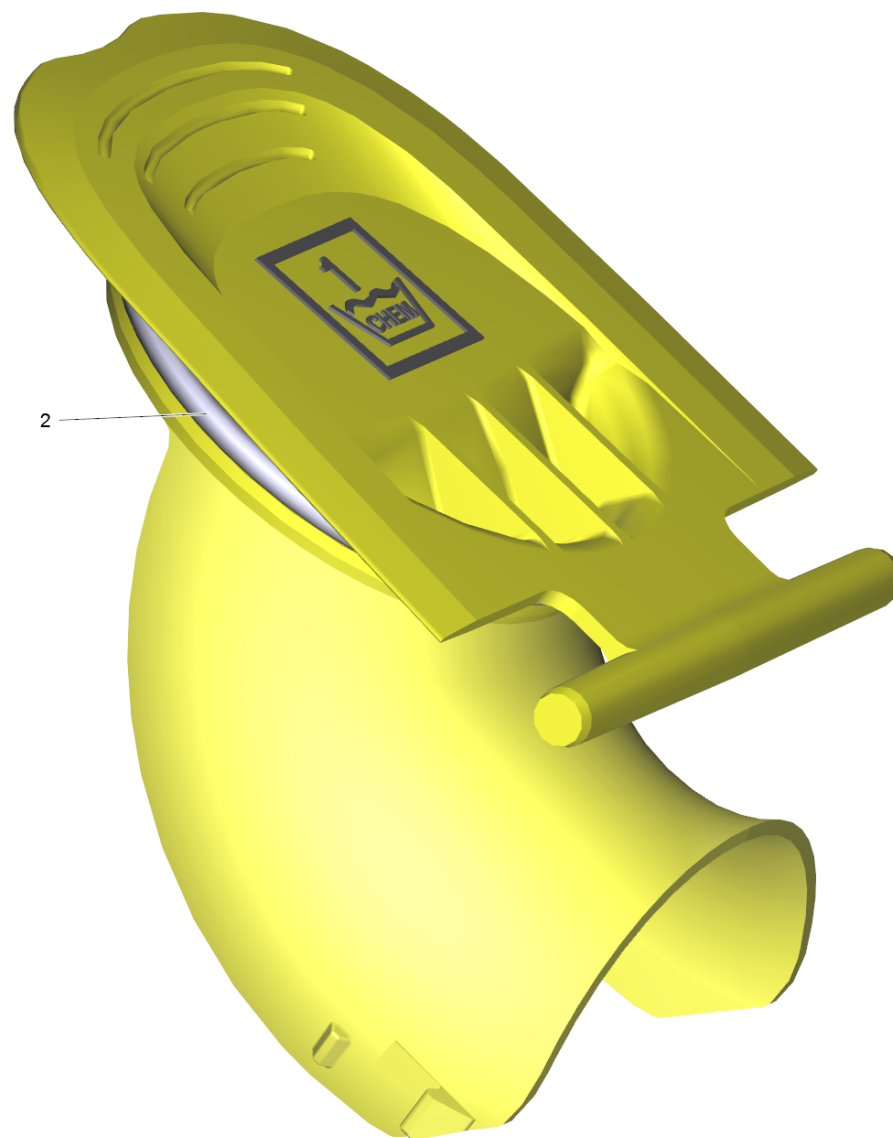
1 Jet pipe TR 1050 mm (4.112-012.0)

POS	Article no.	Description	Quantity	Unit
2	5.321-018.3	Handle bowl jet pipe only for replacemen	1.000	ST
3	4.112-011.0	Protection part TR only for replacement	1.000	ST
11	7.303-129.0	Screw 4x16 -10.9-R2R (K-In6Rd)	6.000	ST
1	4.100-688.0	Spare part set seal TR	1.000	ST



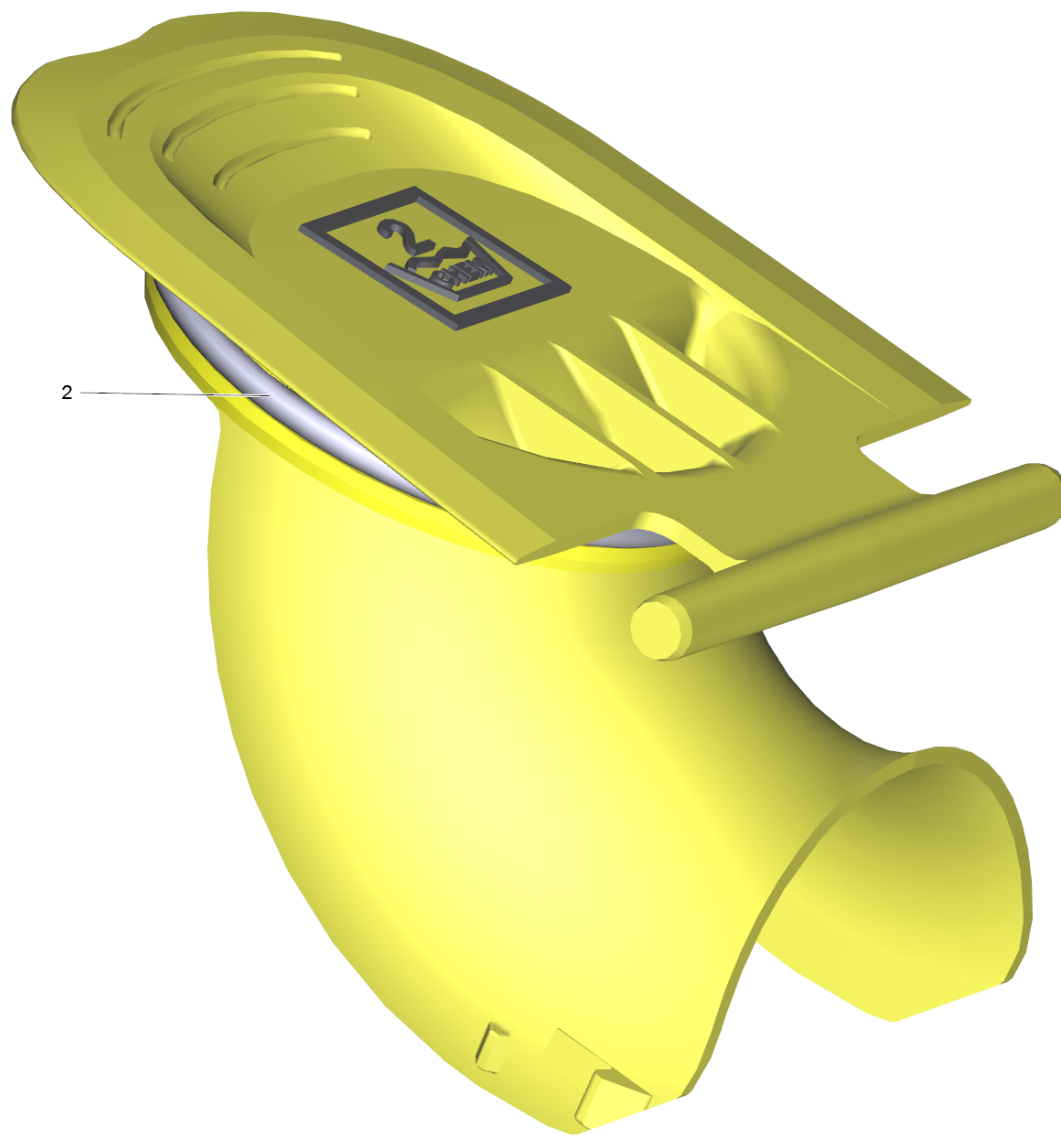
69 Cover fuel complete (4.064-013.0)

POS	Article no.	Description	Quantity	Unit
2	5.363-300.0	Joint ring	1.000	ST



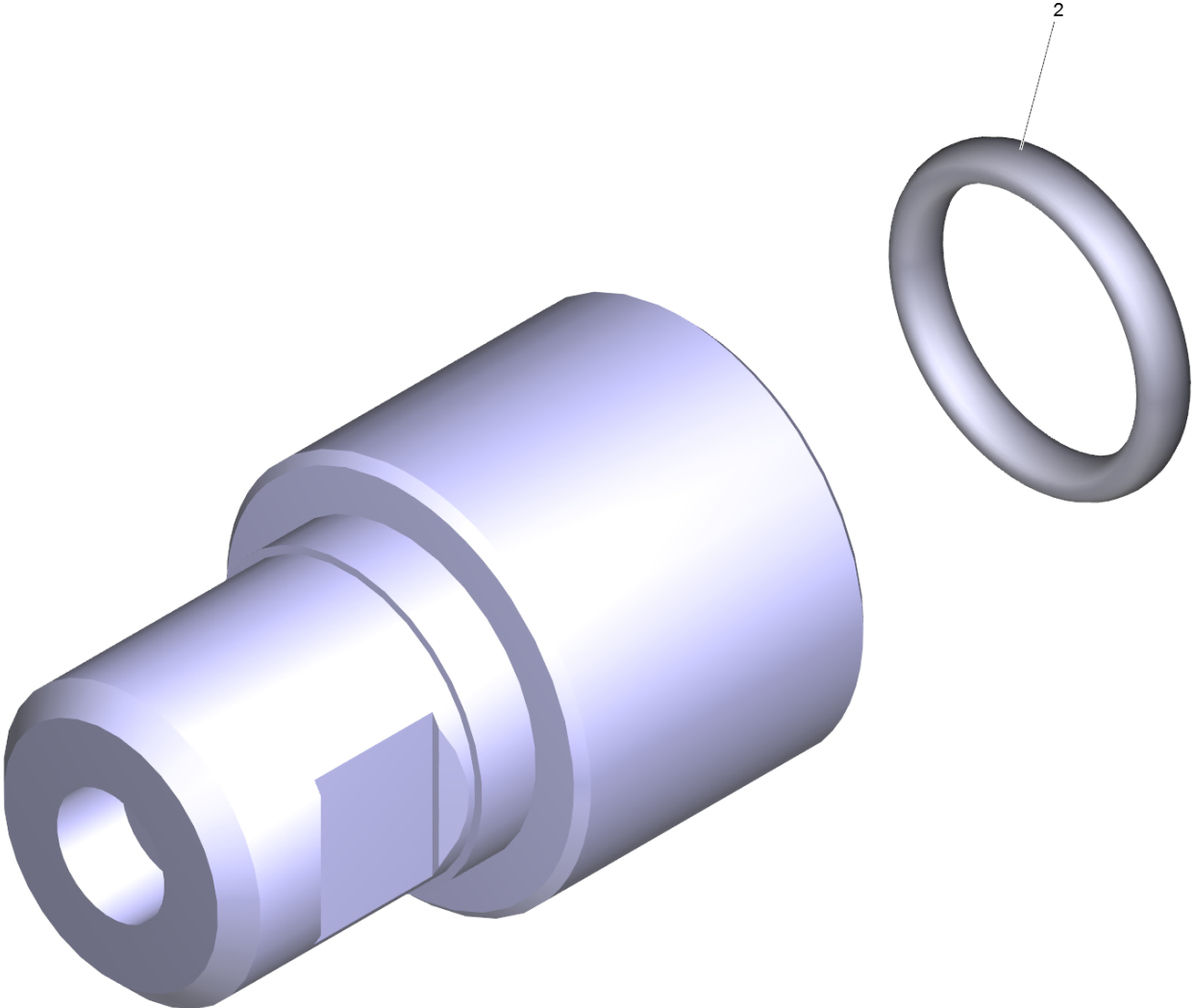
70 Cover complete Chem 1

POS	Article no.	Description	Quantity	Unit
2	6.363-443.0	O-Ring seal 75x5	1.000	ST



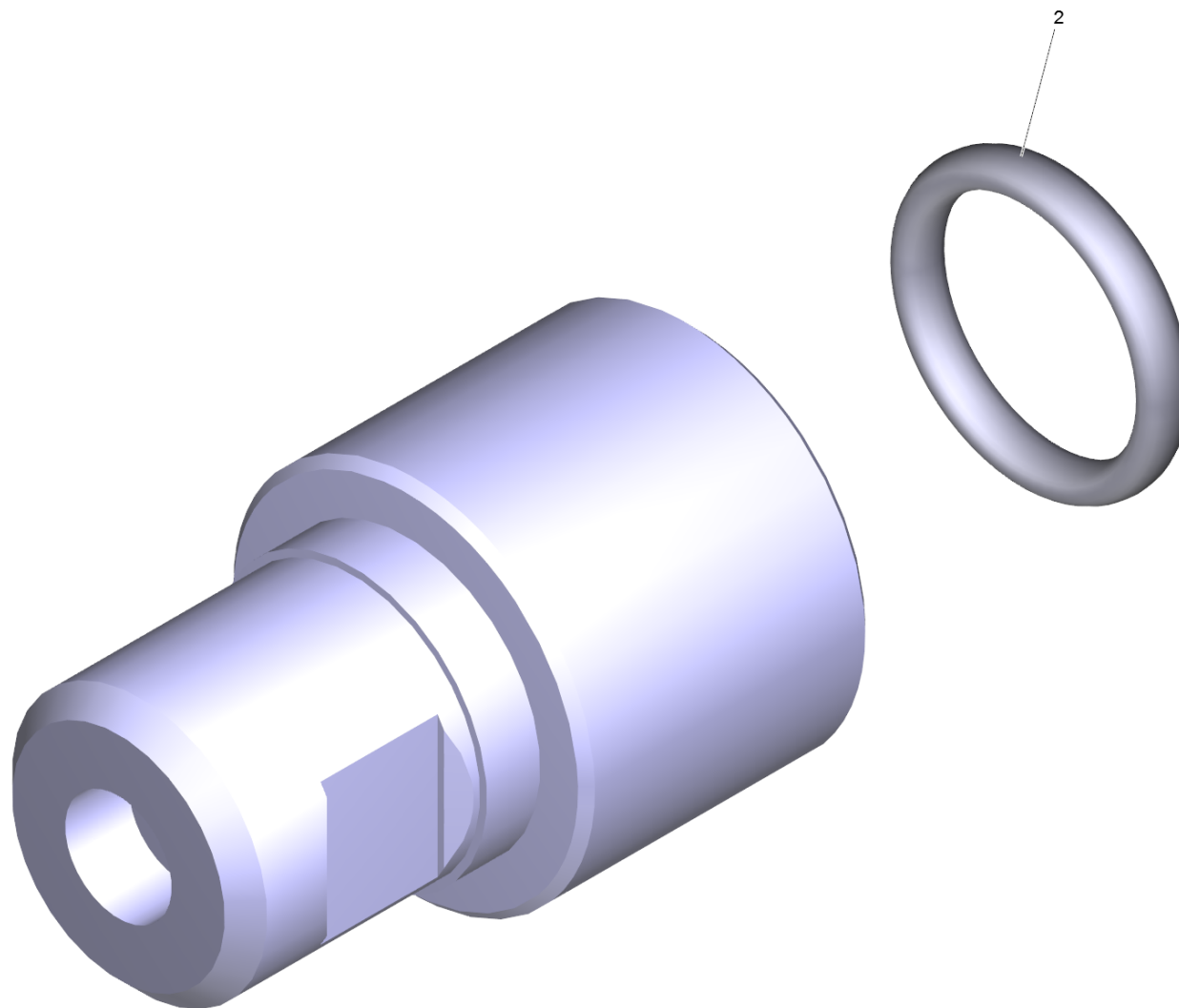
74 Cover complete Chem 2

POS	Article no.	Description	Quantity	Unit
2	6.363-443.0	O-Ring seal 75x5	1.000	ST



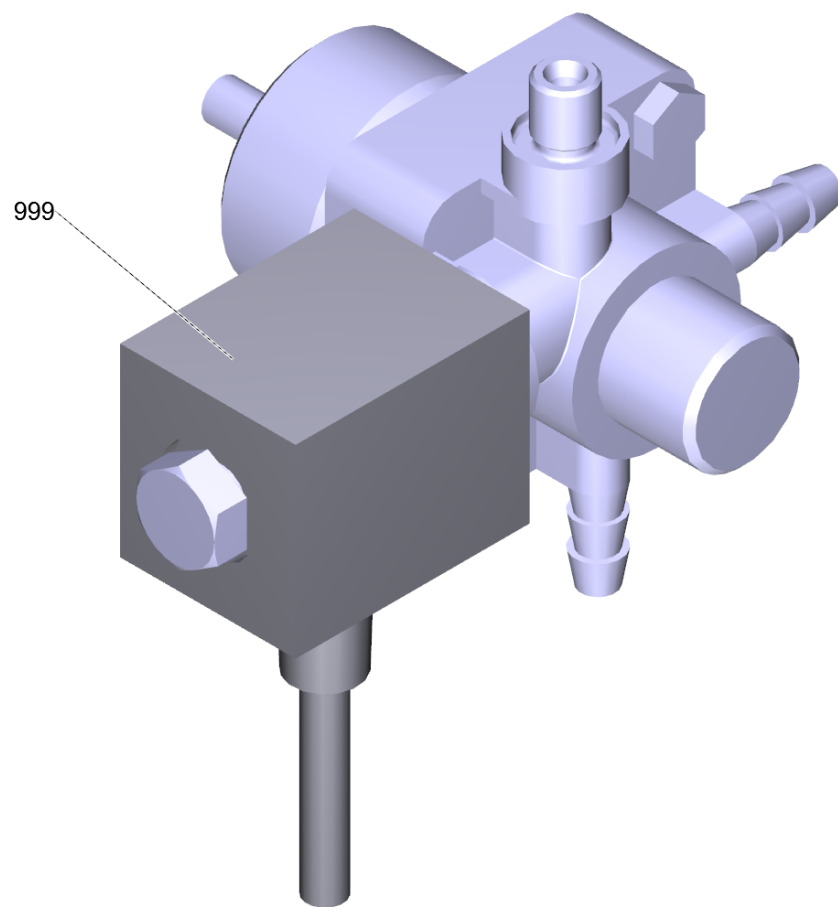
141 Power nozzle TR 25070 (2.113-028.0)

POS	Article no.	Description	Quantity	Unit
2	2.880-001.0	Spare part set seals TR	1.000	ST



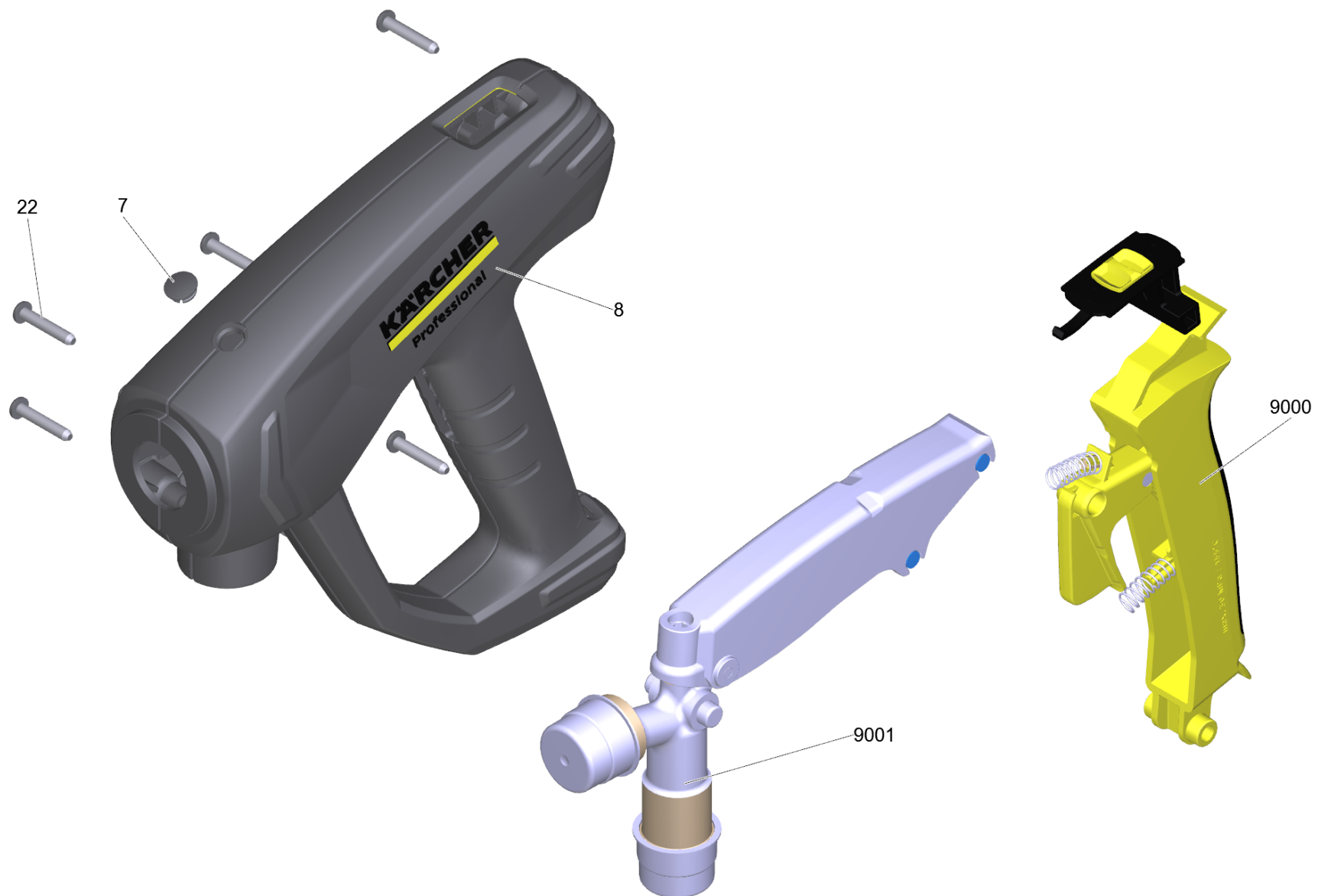
142 Steam nozzle TR 40100 (2.114-011.0)

POS	Article no.	Description	Quantity	Unit
2	2.880-001.0	Spare part set seals TR	1.000	ST



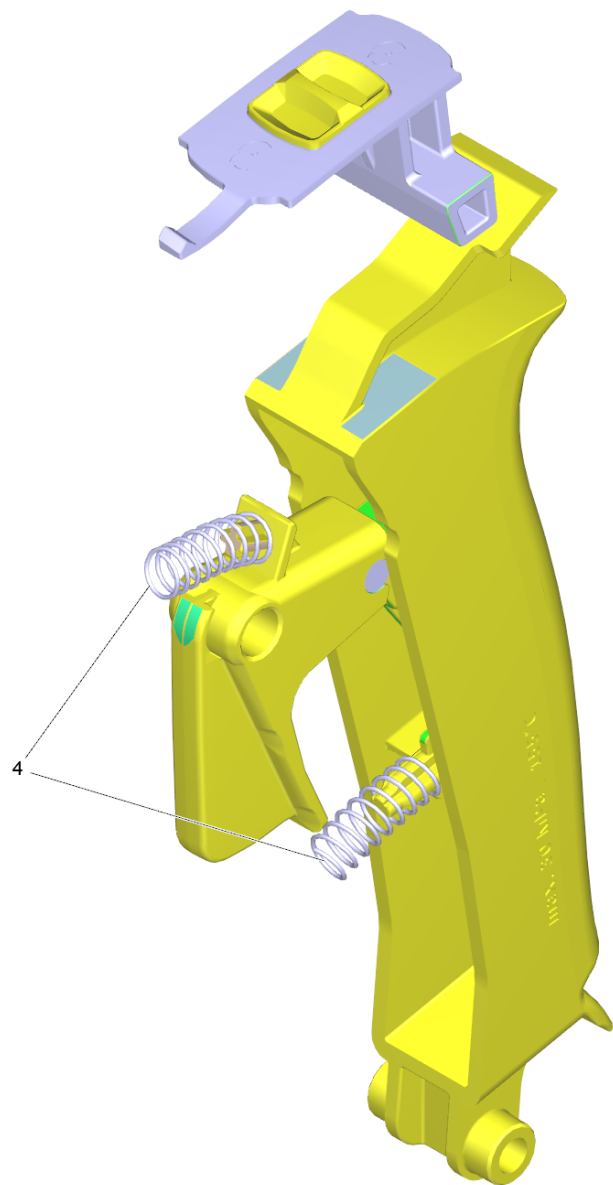
200 Fuel pump only for replacement (4.473-032.0)

POS	Article no.	Description	Quantity	Unit
999	6.473-554.0	Coil Brennstoffpumpe	1.000	ST



901 EASY!Force Advanced (4.118-005.0)

POS	Article no.	Description	Quantity	Unit
8	5.321-136.3	Handhold few EH 155 only for replacement	1.000	ST
9001	4.427-014.0	Manifold TR EH 155 nur fuer Ersatz	1.000	ST
7	5.132-001.0	Plug	1.000	ST
22	7.303-096.0	Screw 4x22 -ST-10.9-R2R (IN6RD)	7.000	ST
9000	2.885-483.0	Spare part set lever	1.000	ST

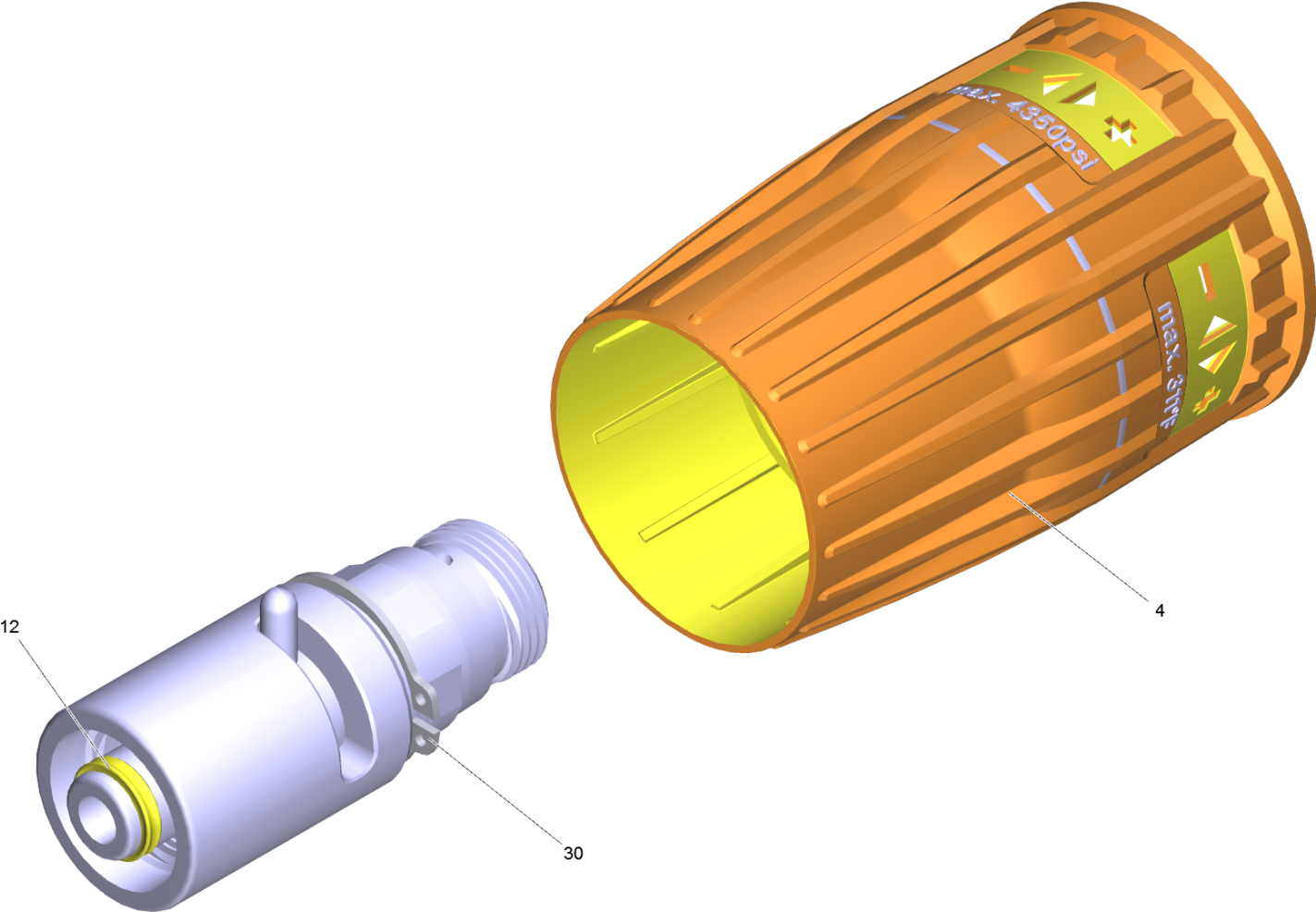


9000 Spare part set lever (2.885-483.0)

POS	Article no.	Description	Quantity	Unit
4	5.332-178.0	Helical spring	2.000	ST

902 Rotary controller TR 700L (4.118-009.0)

POS	Description	Quantity	Unit
1	Rotary controller TR 700L	1.000	ST

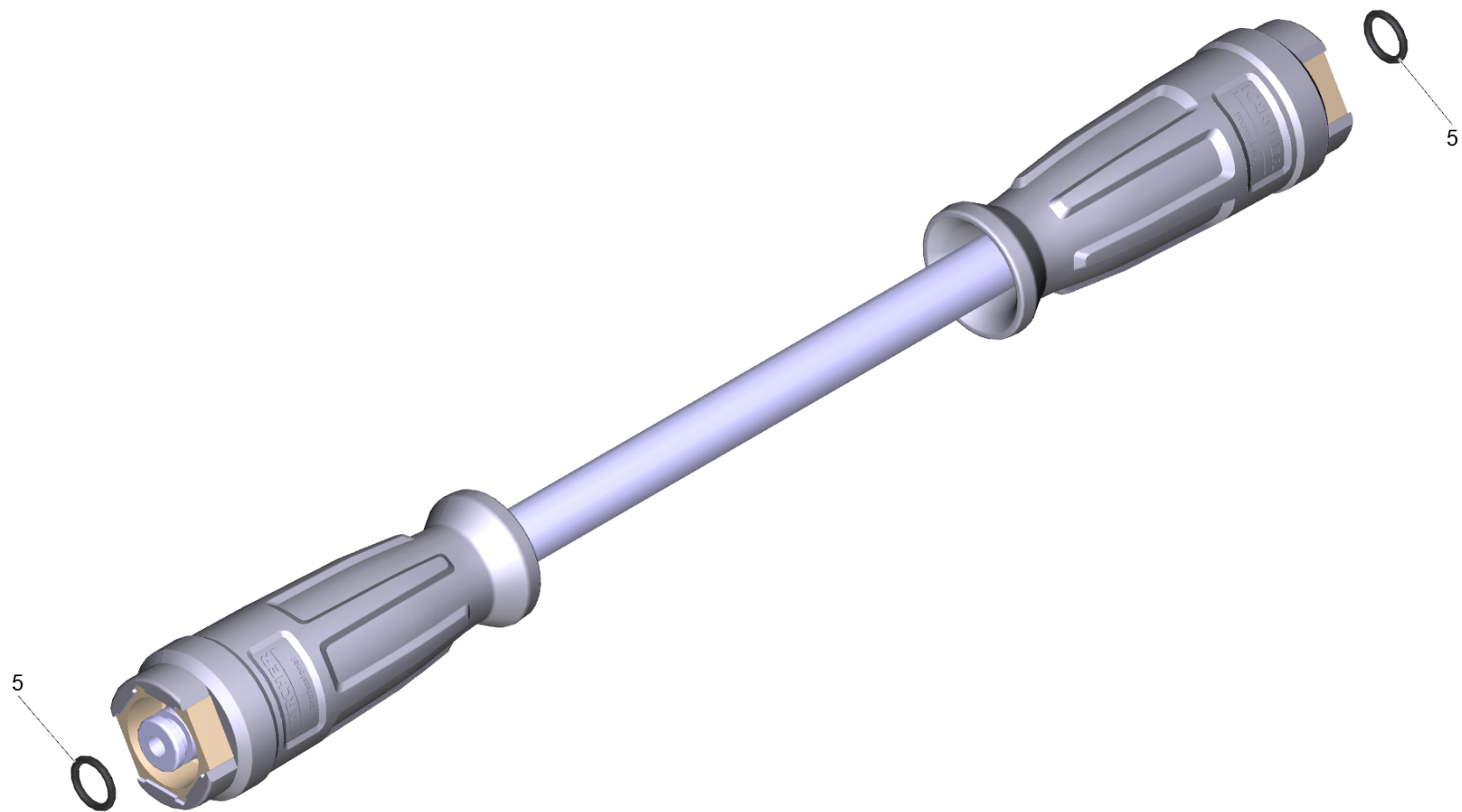


1 Rotary controller TR 700L

POS	Article no.	Description	Quantity	Unit
4	5.321-364.3	Handhold rotary controller	1.000	ST
30	7.343-069.0	Locking ring 25x1,2-1.4122 DIN 471	1.000	ST
12	2.880-001.0	Spare part set seals TR	1.000	ST

904 Hose assembly TR DN8 40MPa 10m (6.110-038.0)

POS	Description	Quantity	Unit
1	Hose assembly TR rotatable DN8 40MPa 10m	1.000	ST



1 Hose assembly TR rotatable DN8 40MPa 10m

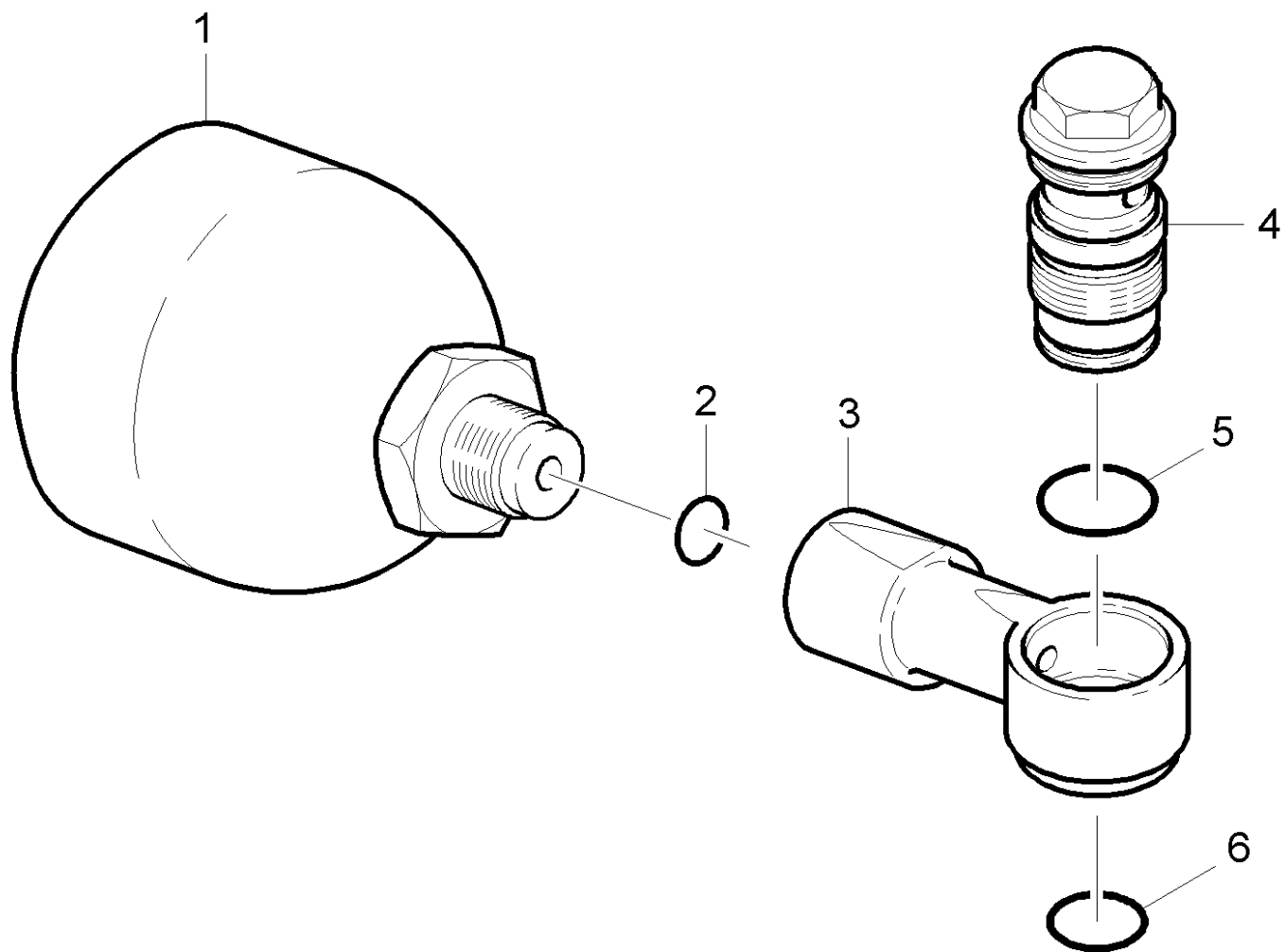
POS	Article no.	Description	Quantity	Unit
5	2.880-154.0	O-Ring kit	1.000	ST

997 Add-on kit pressure accumulator (2.641-803.0)

POS	Article no.	Description	Quantity	Unit
0	5.970-996.0	Spare parts list ABS Druckspeicher	1.000	ST

Spare parts list ABS Druckspeicher (5.970-996.0)

POS	Description	Quantity	Unit
10	ABS pressure accumulator	1.000	ST



10 ABS pressure accumulator

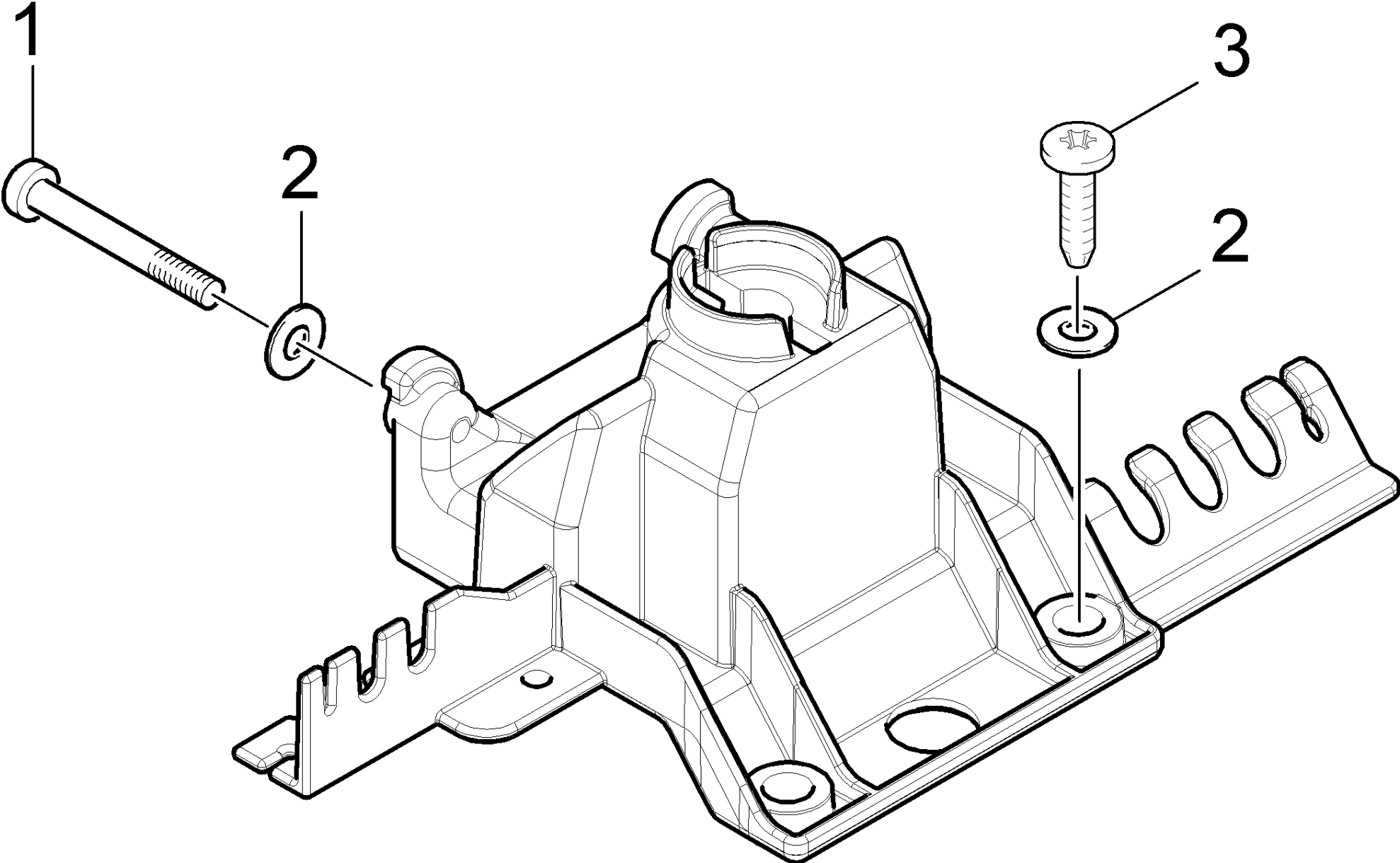
POS	Article no.	Description	Quantity	Unit
4	5.404-086.0	Hollow screw	1.000	ST
2	6.362-176.0	O-Ring seal 6,07x1,78	1.000	ST
6	6.362-481.0	O-Ring seal 14,0 x 2,0 NBR 80	1.000	ST
5	6.362-524.0	O-Ring seal 17,0 X 1,5	2.000	ST
1	6.505-054.0	Pressure accumulator	1.000	ST
3	5.427-304.0	Retainer pressure accumulator	1.000	ST

997 Conversion kit holder large Kessel (2.882-692.0)

POS	Article no.	Description	Quantity	Unit
6	5.953-328.0	Spare parts list reversion kit holder gr	1.000	ST

6 Spare parts list reversion kit holder gr (5.953-328.0)

POS	Description	Quantity	Unit
10	Conversion kit holder boiler	1.000	ST



10 Conversion kit holder boiler

POS	Article no.	Description	Quantity	Unit
1	7.303-111.0	Screw 5x50 -10.9-R2R (K-In6Rd)	2.000	ST
3	6.303-320.0	Screw M 5x 20-St-R2R	2.000	ST
2	7.312-278.0	Washer 5-200HV-A2E ISO7093-1	4.000	ST