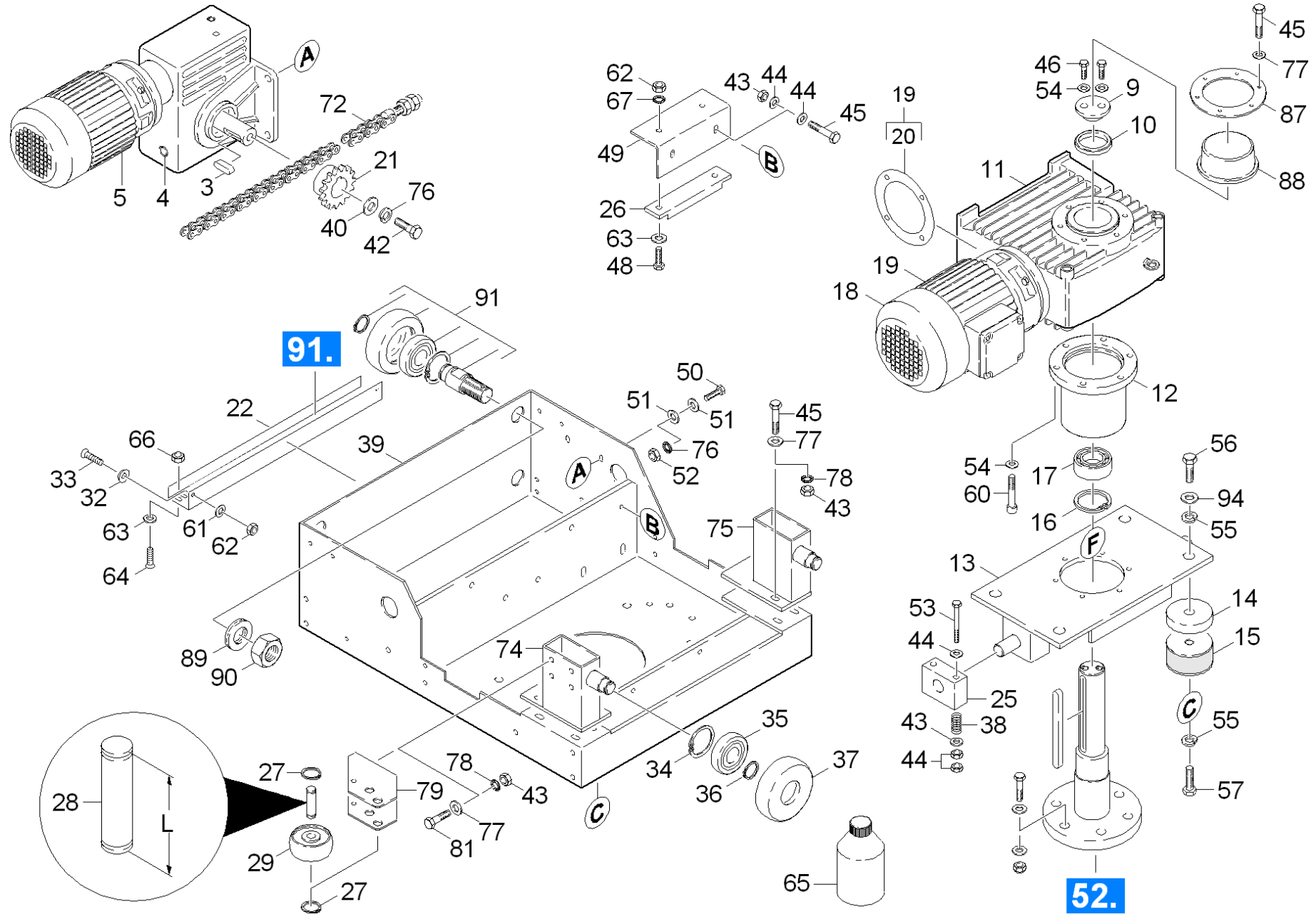


61 Side brushes carriage

Vehicle wash \ Wash units \ Commercial vehicle \ RB 6315 Good \ Documentation RB 6000 Good / Best \ Spare parts list RB 6000 Good/ Best \ Side brushes carriage \ Side brushes carriage



61 Side brushes carriage

Vehicle wash \ Wash units \ Commercial vehicle \ RB 6315 Good \ Documentation RB 6000 Good / Best \ Spare parts list RB 6000 Good/ Best \ Side brushes carriage \ Side brushes carriage



POS	Article no.	Description	Quantity	Unit	Remark	Foot note text
49	4.021-077.0	Angle	1	PC		
17	6.401-312.0	Angular contact ball bearing	1	PC		
28	5.105-082.0	Axle	4	PC	L= 58mm	VERSION 1
28	5.105-415.0	Axle	4	PC	L= 60mm	VERSION 2
12	4.250-061.0	Bearing pipe	1	PC		
13	4.053-073.0	Bracket	1	PC		
72	4.264-013.0	Chain side brush	1	PC		
21	5.356-010.0	Chain wheel Z-15	1	PC		
64	7.305-053.0	Countersunk screw M6x16 -A2-70 (In6Rd)	2	PC		
33	7.305-054.0	Countersunk screw M6x20 -A2-70 (In6Rd)	2	PC		
60	7.306-172.0	Cylinder head screw M10x55 -A4-70 ISO 4	6	PC		
5	6.611-381.0	Electric motor 0,37KW	1	PC		
19	6.611-380.0	Electric motor 1,5KW	1	PC		
4	6.454-002.0	Gear	1	PC		
11	6.454-009.0	Gear	1	PC		
38	5.332-087.0	Helical spring	4	PC		
48	7.304-509.0	Hexagonal head screw M 6x25-A4-70 ISO 4	2	PC		
42	7.304-535.0	Hexagonal head screw M8x25-A4-70 ISO 40	1	PC		
50	7.304-537.0	Hexagonal head screw M 8x30-A4-70 ISO 4	4	PC		
81	7.304-801.0	Hexagonal head screw M10x25-A4-70 ISO 4017	8	PC		
45	7.304-525.0	Hexagonal head screw M10x30-A4-70 ISO 4	6	PC		
46	7.304-505.0	Hexagonal head screw M10x35-A2-70 ISO 4	2	PC		
53	7.304-226.0	Hexagonal head screw M10x150-A2-70 ISO	8	PC		
57	7.304-448.0	Hexagonal head screw M16x25-A2-70 ISO 4	4	PC		
56	7.304-256.0	Hexagonal head screw M16x45-A4-70	4	PC		

61 Side brushes carriage

Vehicle wash \ Wash units \ Commercial vehicle \ RB 6315 Good \ Documentation RB 6000 Good / Best \ Spare parts list RB 6000 Good/ Best \ Side brushes carriage \ Side brushes carriage

POS	Article no.	Description	Quantity	Unit	Remark	Foot note text
		ISO 4				
66	7.311-422.0	Hexagon nut M 6-1.4305 ISO 10511	2	PC		
62	7.311-067.0	Hexagon nut M 6-A2-70 ISO 4032	2	PC		
52	7.311-068.0	Hexagon nut M 8-A2-70 ISO 4032	4	PC		
43	7.311-066.0	Hexagon nut M10-A2-70 DIN 934	14	PC		
90	7.311-053.0	Hexagon nut M30x2 -A4-25 ISO 8675	2	PC		
25	5.042-338.0	Holder	2	PC		
27	7.343-004.0	Locking ring 15x1-FST-PHR DIN 471	8	PC		VERSION 1
36	7.343-032.0	Locking ring 30x1,5 -Rf-St DIN 471	2	PC		
34	7.343-166.0	Locking ring 72x2,5-FSt-ph DIN 984	2	PC		
16	7.343-123.0	Locking ring 110x4-FST-VZ DIN 472	1	PC		
27	7.343-076.0	Lock washer 12 -A2 DIN 6799	8	PC		VERSION 2
3	7.318-042.0	Parallel key 8x7x32-C45K DIN 6885	1	PC		
88	6.368-336.0	Protecting cap 124-128	1	PC		
18	6.611-386.0	Protective cover	1	PC		
22	5.023-225.0	Rail chain guide	1	PC		
37	5.515-013.0	Roller	2	PC		
75	4.520-023.0	Roller chassis 1	1	PC		
74	4.520-024.0	Roller chassis 2	1	PC		
35	6.401-146.0	Roller LR 206	2	PC		
32	6.371-012.0	Rosette M 6	2	PC		
15	6.273-049.0	Rubber buffer D100X55	4	PC		
54	6.343-192.0	Screws lock washer 10,3	8	PC		
89	6.343-238.0	Screws lock washer for M30	2	PC		
10	6.365-328.0	Seal	1	PC		
20	6.613-243.0	Seal	1	PC		
67	7.312-020.0	Serrated lock washer A6,4-1.4310 DIN679	4	PC		
76	7.312-022.0	Serrated lock washer A8,4-1.4310 DIN679	4	PC		
78	7.312-023.0	Serrated lock washer A10,5-1.4310 DIN 6	12	PC		
55	7.312-035.0	Serrated lock washer A17-1.4310 DIN 679	8	PC		

61 Side brushes carriage

Vehicle wash \ Wash units \ Commercial vehicle \ RB 6315 Good \ Documentation RB 6000 Good / Best \ Spare parts list RB 6000 Good/ Best \ Side brushes carriage \ Side brushes carriage

KÄRCHER

POS	Article no.	Description	Quantity	Unit	Remark	Foot note text
87	5.049-753.0	Sheet metal component	1	PC		
65	7.777-999.0	Stockpiling discontinued	1	PC		PACKING DRUM-5L
26	5.181-025.0	Strip	1	PC		
39	4.039-017.0	Tub	1	PC		
79	5.022-935.0	U-Section	4	PC		
9	5.115-334.0	Washer	1	PC		
14	5.115-345.0	Washer	4	PC		
63	7.312-026.0	Washer 6 -A2 ISO 7089	4	PC		
61	7.312-292.0	Washer 6 -A2 ISO 7093-1	2	PC		
51	7.312-017.0	Washer 8-A2 ISO 7089	8	PC		
40	7.312-268.0	Washer 8-A2 ISO 7094	1	PC		
77	7.312-066.0	Washer 10 -A2 ISO 7089	20	PC		
44	7.312-290.0	Washer 10-A2 ISO 7093-1	4	PC		
91	6.435-426.0	Wheel complete D 125X 35	2	PC		
29	6.435-094.0	Wheel D 100X37 PA	4	PC		