

Spare parts list

(1.138-301.0) K 6.70 M-PL-WB *EU

Table of contents

K 6.70 M-PL-WB *EU (1.138-301.0)	4
280 Spare parts list K 670M (5.958-229.0)	5
10 Individual parts	6
11 Individual parts cover	8
12 Bottom part	10
13 Hose reel	12
14 Cable drum	14
15 HOUSING (2.884-100.0)	16
15 Hose reel	17
20 Pump set	19
21 Cylinder head	20
4 Valve plug complete (4.132-011.0)	22
6 Nozzle insert only for replacement (4.769-034.0)	23
8 Valve pin complete (4.584-022.0)	25
12 Joining piece only for replacement (4.030-125.0)	27
22 Piston	29
1 Moulded part complete only for replaceme (4.030-123.0)	31
4 Excess-current complete D6,0 PUR (4.580-665.0)	33
999 Moulded part complete only for replaceme (4.030-123.0)	35
8 Piston complete (4.553-173.0)	37
10 Moulded part complete only for replaceme (4.030-069.0)	38
30 Motor	40
31 Ventilation	42
32 Transmission	44
40 Accessories	46
41 Hand trigger gun	47
42 Hand trigger gun	49
43 Hand trigger gun	51
44 Hand trigger gun	53
G 180 Q Trigger gun Quick Connect (2.642-889.0)	55
2 High pressure hose 16MPa/9m 60°C, verp. (2.641-706.0)	57
45 Jet pipe	59
3 Dirt blaster 0295 St (4.764-211.0)	61
9 VP 145 Vario Power Jet (packaged) (2.642-725.0)	63
9 VPS K5 033 (4.760-524.0)	65
10 WB 100 washing brush (2.643-236.0)	67
46 Water filter	69
1 Water filter (4.730-059.0)	71

Table of contents

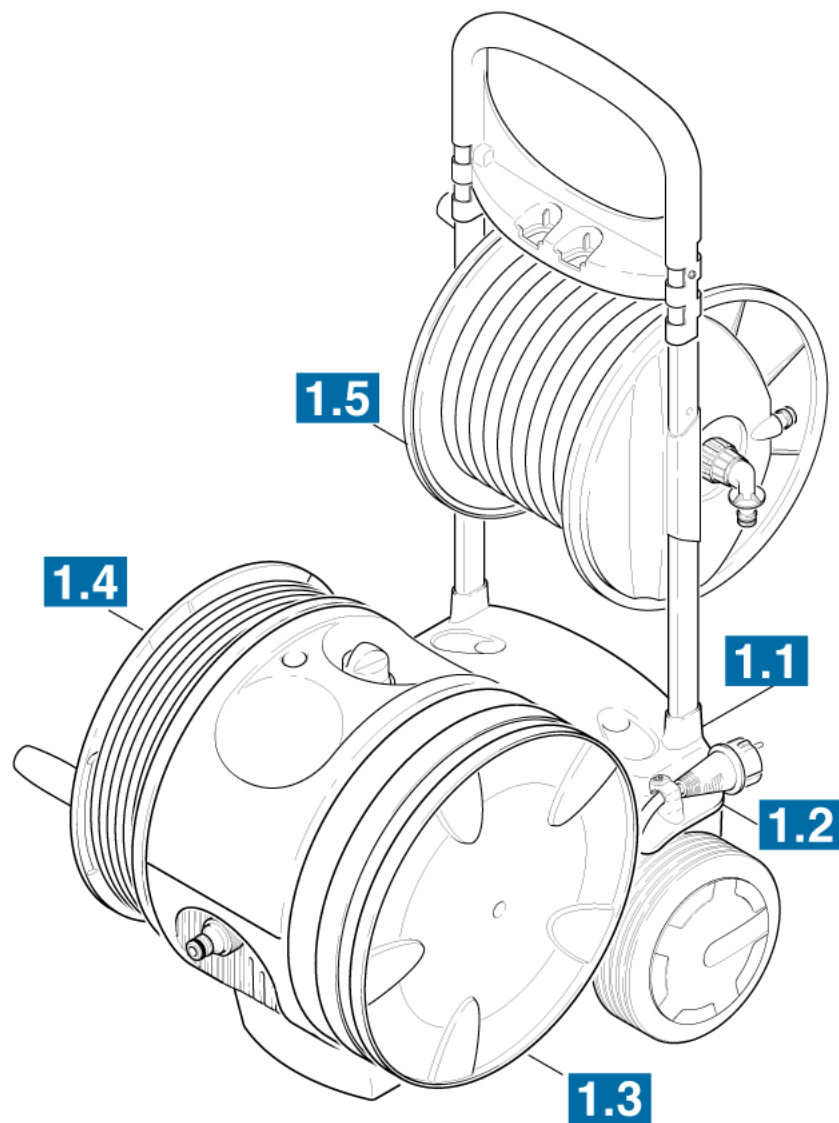
1 Water filter complete	72
50 Electric control box	74
8 Electric box complete (4.800-852.0)	76

K 6.70 M-PL-WB *EU (1.138-301.0)

POS	Article no.	Description	Quantity	Unit
280	5.958-229.0	Spare parts list K 670M	1.000	ST
	Item text2: 11383010			

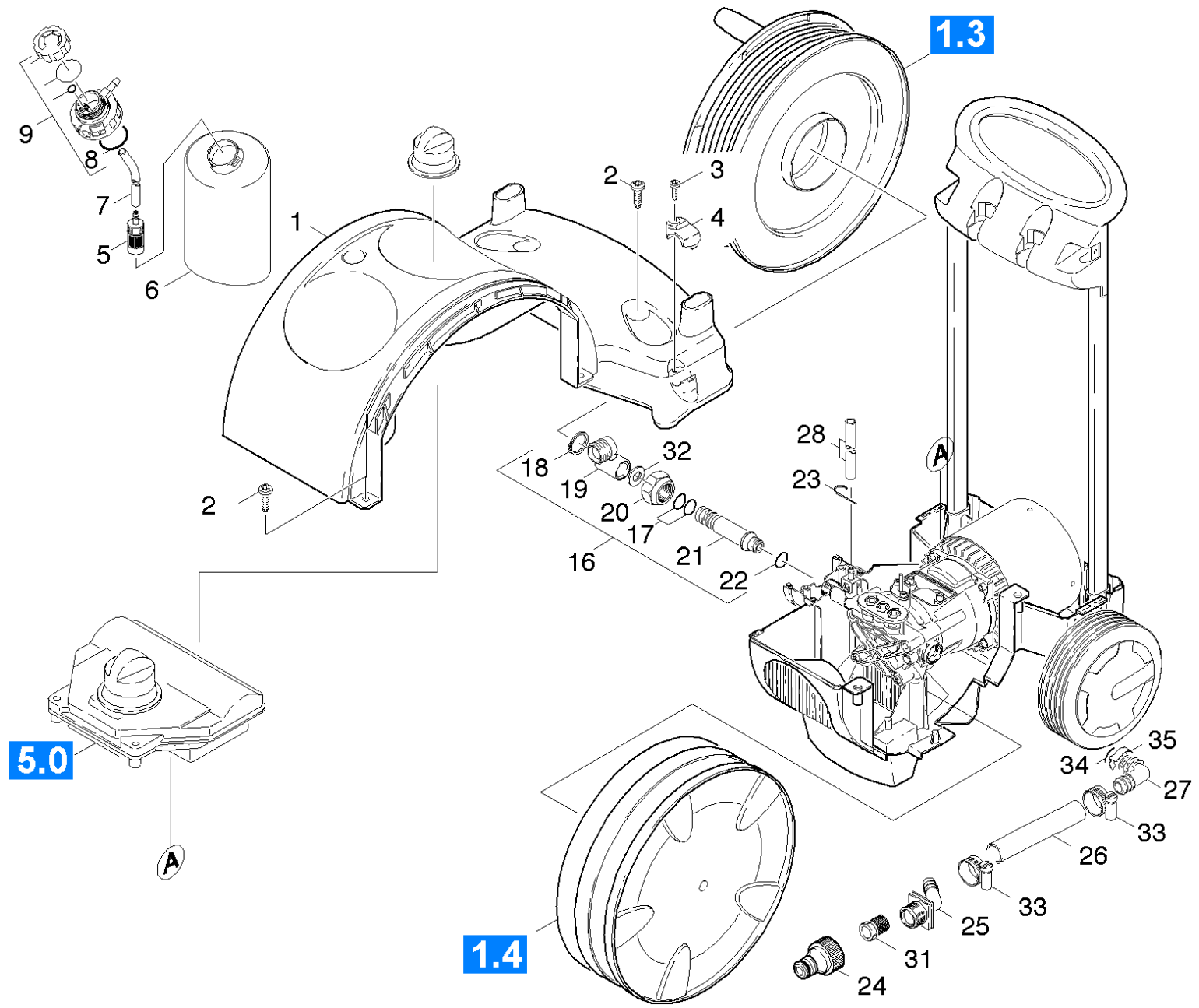
280 Spare parts list K 670M (5.958-229.0)

POS	Description	Quantity	Unit
10	Individual parts	1.000	ST
20	Pump set	1.000	ST
30	Motor	1.000	ST
40	Accessories	1.000	ST
50	Electric control box	1.000	ST



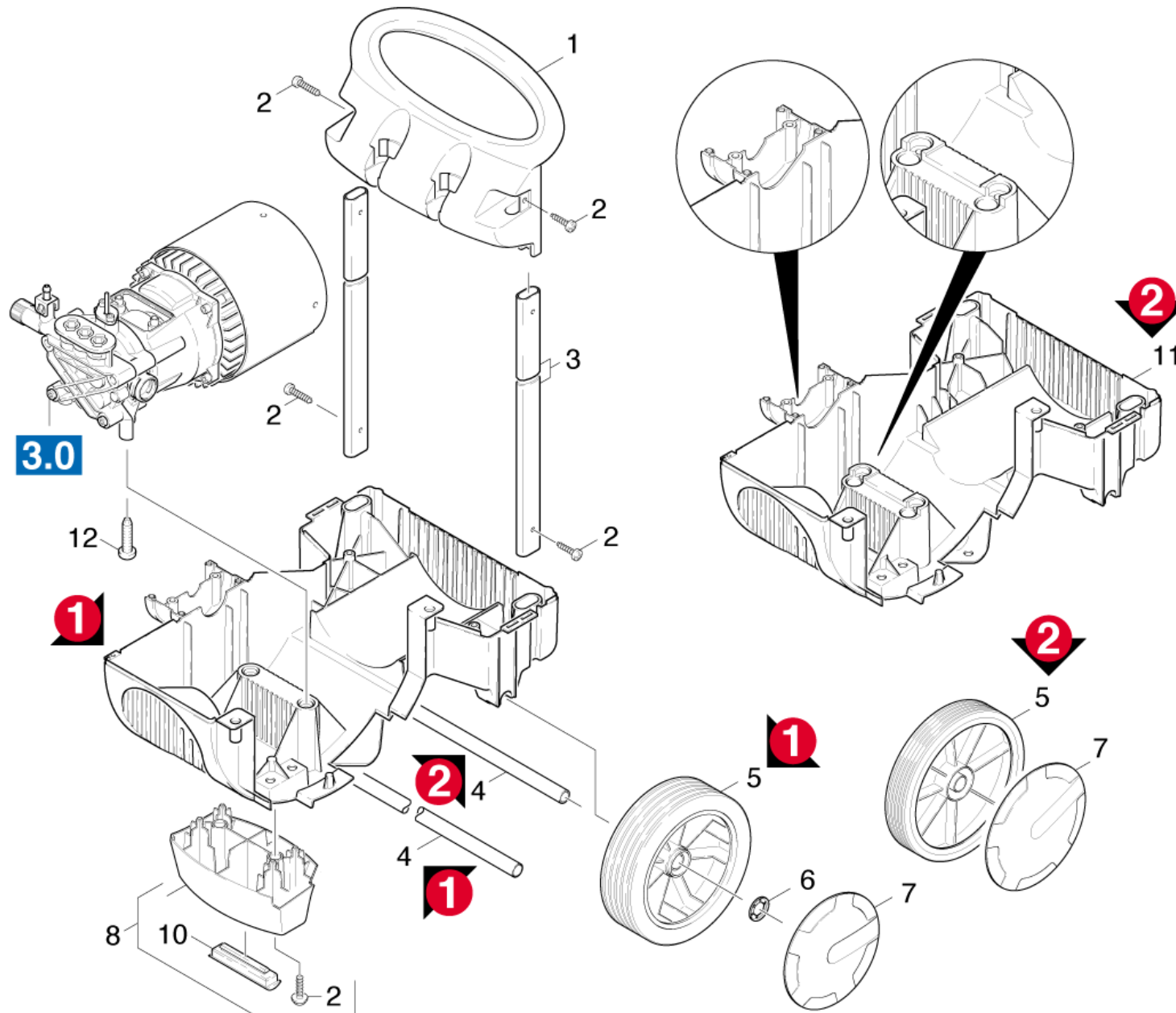
10 Individual parts

POS	Description	Quantity	Unit
11	Individual parts cover	1.000	ST
12	Bottom part	1.000	ST
13	Hose reel	1.000	ST
14	Cable drum	1.000	ST
15	Hose reel	1.000	ST
Item text1: / 1.138-201.0			



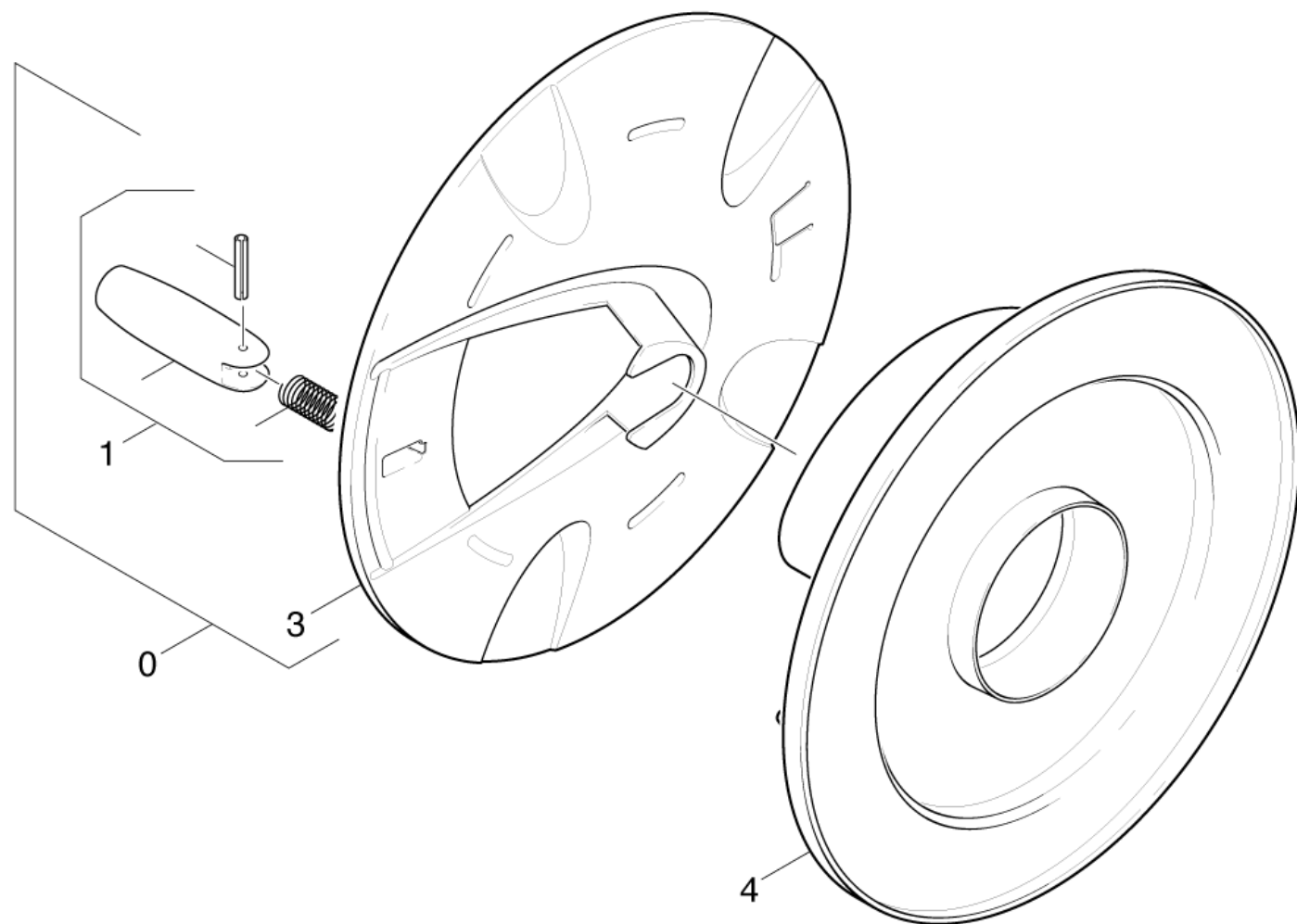
11 Individual parts cover

POS	Article no.	Description	Quantity	Unit	Foot note text
1	5.033-318.0	Chassis top part neutrally	1.000	ST	
2	7.303-112.0	Screw 6x20 -10.9-R2R (In6Rd)	6.000	ST	
3	7.303-129.0	Screw 4x16 -10.9-R2R (K-In6Rd)	1.000	ST	
4	5.394-521.0	Covering cap E-KABEL	1.000	ST	
5	5.731-652.0	Filter with weight	1.000	ST	
6	5.071-115.0	Tank cleaning agents	1.000	ST	
7	6.388-216.0	Hose DN 5	1.000	M	TO ORDER AS CUT GOODS
8	6.362-740.0	O-Ring seal 34,60X 2,62	1.000	ST	
9	4.063-807.0	Cover tank cleaning agents	1.000	ST	
16	4.401-080.0	Rotary bushing	1.000	ST	
17	6.363-628.0	O-Ring seal complete	2.000	ST	
18	7.343-306.0	Lock washer 12-St-A2E DIN 6799	1.000	ST	
19	5.401-240.0	Rotary bushing	1.000	ST	
20	7.383-113.0	Union nut BLL-15-St-A2K DIN3870	1.000	ST	
21	5.105-288.0	Hollow shaft	1.000	ST	
22	6.362-151.0	O-Ring d. 10 x 2 NBR 70	1.000	ST	
23	6.641-463.0	Cable tape	1.000	ST	
24	6.465-031.0	Connection 3/4	1.000	ST	
25	5.789-007.0	Connection piece	1.000	ST	
26	6.390-456.0	Piece of tube DN15	1.000	ZST	TO ORDER AS CUT GOODS
27	5.443-452.0	Angle bushing	1.000	ST	
28	6.390-426.0	Hose DN 5	1.000	M	TO ORDER AS CUT GOODS
31	6.414-252.0	Strainer	1.000	ST	
32	7.343-052.0	Shim ring 16x22x1-St2K50 DIN 988	1.000	ST	
33	6.388-547.0	Hose clip	2.000	ST	
34	6.363-610.0	O-Ring seal 13 x 3 -NBR	1.000	ST	
35	5.048-915.0	Clamp	1.000	ST	



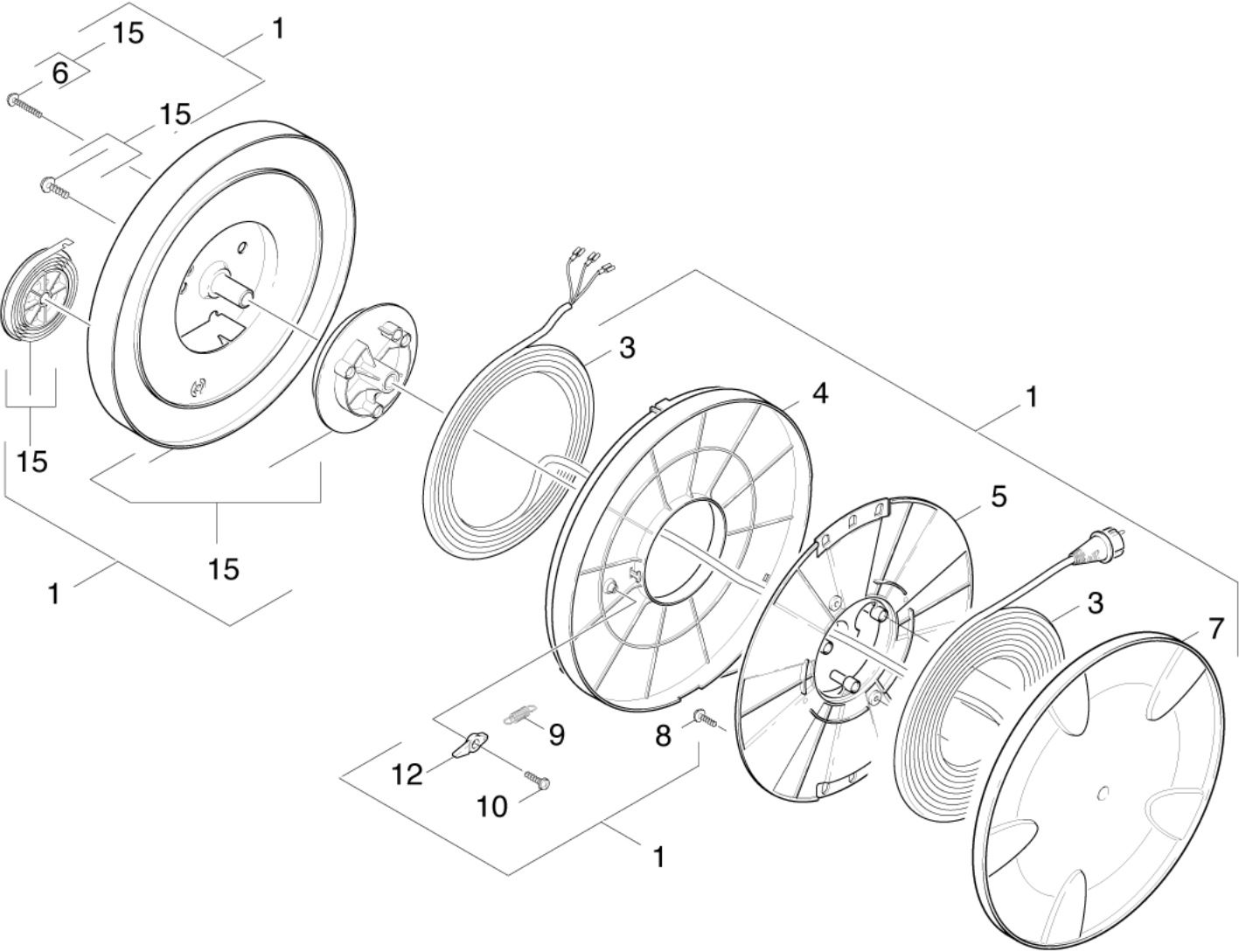
12 Bottom part

POS	Article no.	Description	Quantity	Unit	Remark	Foot note text
1	5.321-625.0	Handhold	1.000	ST		
2	9.086-157.0	Screw 5x30	6.000	ST		
3	5.029-419.0	Tube K670M	2.000	ST		
4	5.105-309.0	Axle L=359	1.000	ST	V2/LAENGE 359	
4	5.105-287.0	Axle L=377	1.000	ST	V1/LAENGE 377	
5	6.435-766.0	Wheel D180	2.000	ST	V2/BREITE 30	
5	6.435-196.0	Wheel D 180	2.000	ST	V1/BREITE 46	
6	6.343-168.0	Lock washer	2.000	ST		
7	6.435-197.0	Wheel cap zinc yellow	2.000	ST	V1/DURCHM.138	
7	2.884-989.0	Spare part set wheel cap	1.000	ST	V2/DURCHM.149	SET OF 2 PIECES
8	2.883-955.0	Conversion kit outrigger complete	1.000	ST		
10	5.057-054.0	Support	1.000	ST		
11	5.031-824.0	Chassis bottom part	1.000	ST	VERSION 2	
12	7.306-094.0	Screw M6x25 -8.8-R3R (In6Rd)	2.000	ST		



13 Hose reel

POS	Article no.	Description	Quantity	Unit
0	4.060-417.0	Cover with handhold	1.000	ST
1	2.883-996.0	Spare part set handhold complete	1.000	ST
3	5.060-730.0	Cover hose reel	1.000	ST
4	5.776-003.0	Hose reel HD	1.000	ST

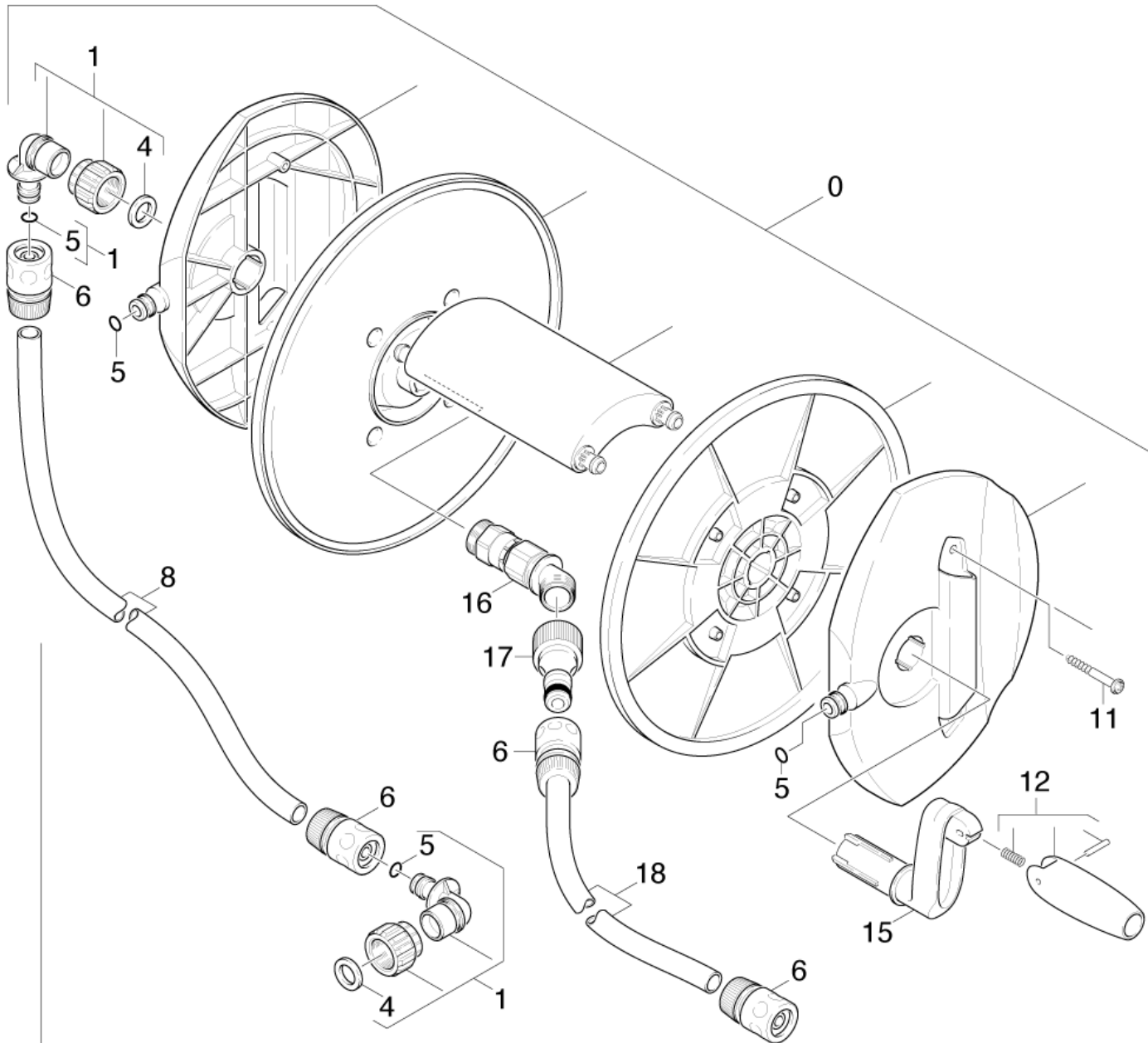


14 Cable drum

POS	Article no.	Description	Quantity	Unit	Foot note text
1	7.777-999.0	Stockpiling discontinued	1.000	ST	ONLY FOR RATING PLATE WITH 2,5 KW
	Item text1: / 1.138-305.0 / -309.0 / -311.0				
1	4.204-513.0	Cable drum H07	1.000	ST	ONLY FOR RATING PLATE WITH 2,5 KW
	Item text1: / 1.138-101.0 / -201.0 / -205.0				
	Item text2: / -301.0				
1	4.204-515.0	CABLE DRUM H07	1.000	ST	ONLY FOR RATING PLATE WITH 2,2 KW
	Item text1: / 1.138-305.0 / -309.0 / -311.0				
1	4.204-514.0	Cable drum *GB -K670M H07	1.000	ST	ONLY FOR RATING PLATE WITH 2,2 KW
	Item text1: / 1.138-104.0				
1	4.204-513.0	Cable drum H07	1.000	ST	ONLY FOR RATING PLATE WITH 2,2 KW
	Item text1: / 1.138-101.0 / -205.0 / -301.0				
1	4.204-514.0	Cable drum *GB -K670M H07	1.000	ST	ONLY FOR RATING PLATE WITH 2,5 KW
	Item text1: / 1.138-104.0				
3	2.884-168.0	Cable complete only for replacement H07	1.000	ST	ONLY FOR RATING PLATE WITH 2,5 KW
	Item text1: / 1.138-104.0				
3	2.884-169.0	Cable complete only for replacement H07	1.000	ST	ONLY FOR RATING PLATE WITH 2,5 KW
	Item text1: / 1.138-305.0 / -309.0 / -311.0				
3	2.884-104.0	Cable complete only for replacement	1.000	ST	ONLY FOR RATING PLATE WITH 2,2 KW
	Item text1: / 1.138-101.0 / -205.0 / -301.0				
3	2.884-164.0	Cable complete H07	1.000	ST	ONLY FOR RATING PLATE WITH 2,5 KW
	Item text1: / 1.138-101.0 / -201.0 / -205.0				
	Item text2: / -301.0				
4	5.605-235.0	Washer drum	1.000	ST	
5	5.605-233.0	Washer inside drum	1.000	ST	
6	7.303-085.0	Screw 4x 35 -10.9-R2R (K-In6Rd)	3.000	ST	
7	5.605-236.0	Washer external drum	1.000	ST	ONLY FOR RATING PLATE WITH 2,5 KW
7	5.605-234.0	Washer external drum	1.000	ST	ONLY FOR RATING PLATE WITH 2,2 KW
8	7.303-106.0	Screw 4x12 -10.9-R2R (IN6RD)	4.000	ST	
9	6.330-130.0	Extension spring	1.000	ST	
10	7.303-134.0	Screw 4x8 -8.8-R2R (K-In6Rd)	1.000	ST	
12	5.481-238.0	Lever	1.000	ST	
15	2.884-100.0	HOUSING	1.000	ST	

15 HOUSING (2.884-100.0)

POS	Article no.	Description	Quantity	Unit
20	5.120-306.0	Hub	1.000	ST
30	5.605-232.0	Housing drum	1.000	ST
40	6.303-125.0	Screw 5x20-Sonder In6Rd+Spitze	2.000	ST
50	6.330-129.0	Spring complete ROLLFEDER	1.000	ST
60	7.303-085.0	Screw 4x 35 -10.9-R2R (K-In6Rd)	3.000	ST

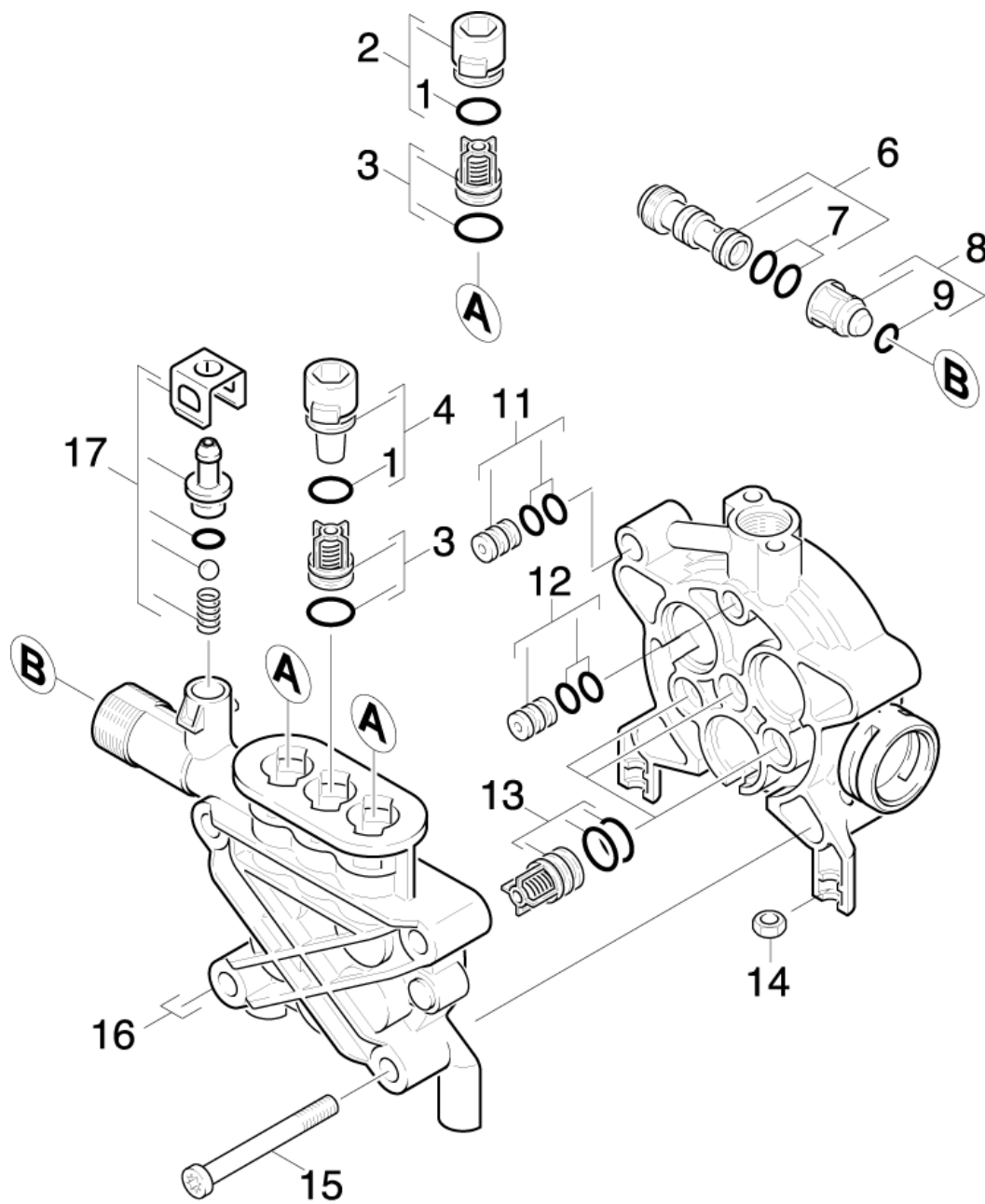


15 Hose reel

POS	Article no.	Description	Quantity	Unit
0	2.639-359.0	Hose reel -ND	1.000	ST
1	4.401-081.0	Screw connector part	2.000	ST
4	5.363-095.0	Joint ring	2.000	ST
5	6.363-054.0	O-Ring seal 10,78 x 2,62	4.000	ST
6	6.388-482.0	Hose coupling	4.000	ST
8	5.442-969.0	Piece of tube hose reel low-pressure	1.000	ST
11	9.086-157.0	Screw 5x30	2.000	ST
12	2.883-996.0	Spare part set handhold complete	1.000	ST
15	5.481-267.0	Lever	1.000	ST
16	6.394-162.0	Bearing sleeve mounted	1.000	ST
17	6.465-031.0	Connection 3/4	1.000	ST
18	6.390-323.0	Water hose 1/2"-20m	1.000	ST

20 Pump set

POS	Description	Quantity	Unit
21	Cylinder head	1.000	ST
22	Piston	1.000	ST

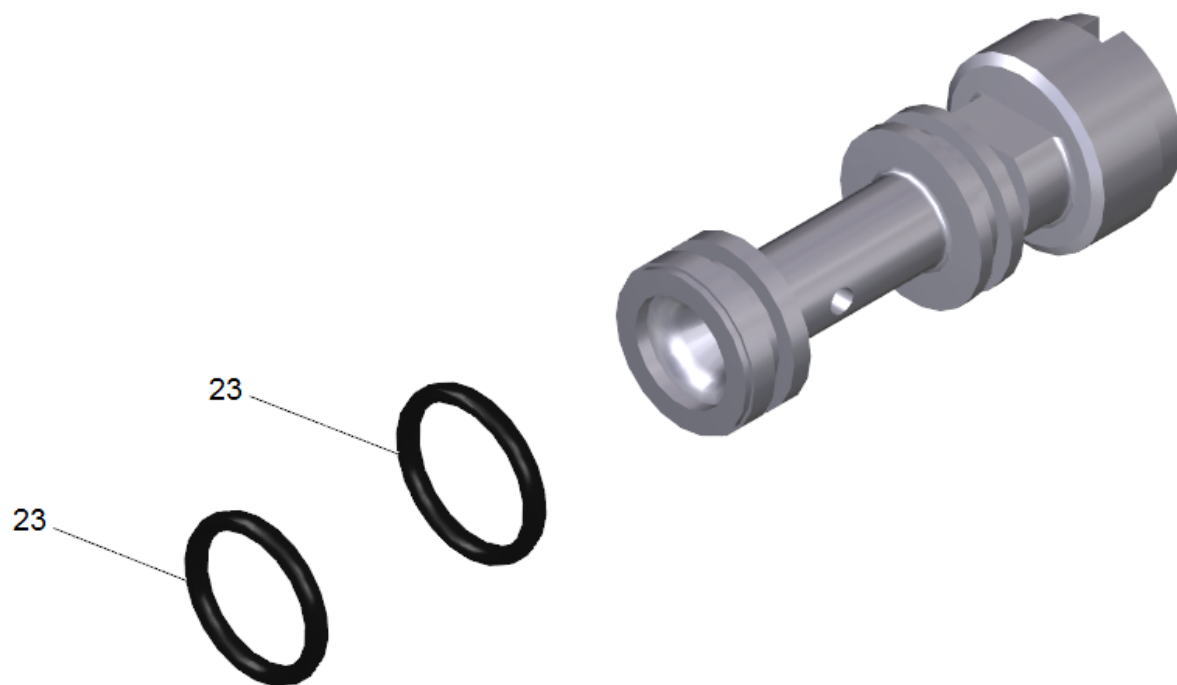


21 Cylinder head

POS	Article no.	Description	Quantity	Unit	Foot note text
1	6.363-273.0	O-Ring seal 11,0 x 2,0	3.000	ST	
2	4.132-010.0	Valve plug complete	2.000	ST	
3	2.884-873.0	Valve (3 Stueck)	1.000	ST	
4	4.132-011.0	Valve plug complete	1.000	ST	
6	4.769-034.0	Nozzle insert only for replacement	1.000	ST	ONLY FOR RATING PLATE WITH 2,2 KW
6	4.769-043.0	Nozzle insert only for replacement	1.000	ST	ONLY FOR RATING PLATE WITH 2,5 KW
7	6.362-384.0	O-Ring seal 9x1,5 - NBR 70	2.000	ST	
8	4.584-022.0	Valve pin complete	1.000	ST	
9	6.363-613.0	O-Ring seal 4 x 2 -NBR90	1.000	ST	
11	4.030-070.0	Throttle complete	1.000	ST	
12	4.030-125.0	Joining piece only for replacement	1.000	ST	
13	2.884-877.0	Valve (3 Stueck)	1.000	ST	
14	7.311-003.0	Hexagon nut M6 -8-A2E ISO 4032	2.000	ST	
16	5.550-331.0	Cylinder head	1.000	ST	
17	2.883-258.0	Spare part set neutrally	1.000	ST	

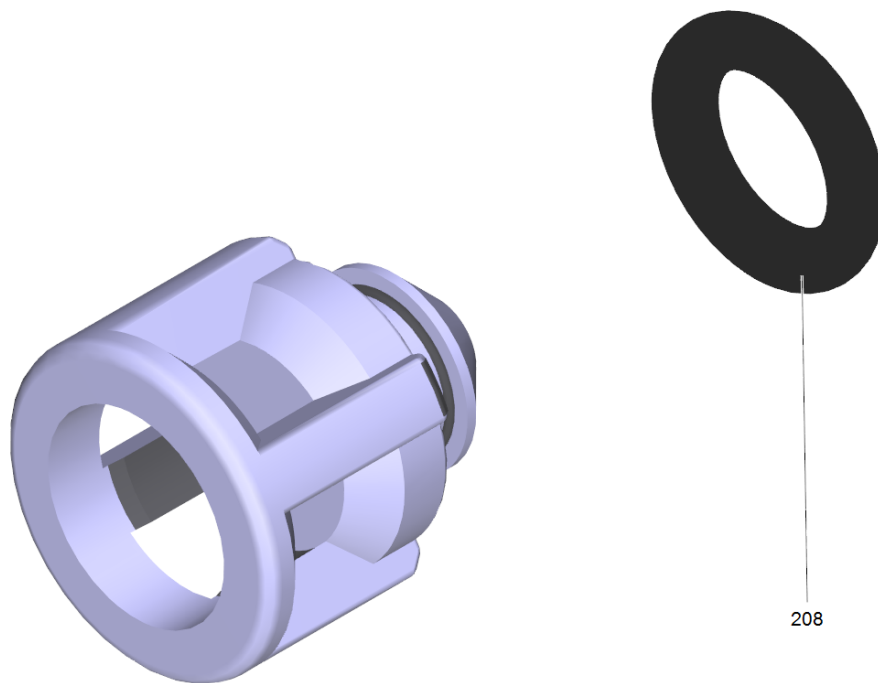
4 Valve plug complete (4.132-011.0)

POS	Article no.	Description	Quantity	Unit
85	6.362-458.0	O-Ring seal 11,0x2,0-NBR 70	1.000	ST
120		Grease	0.400	G



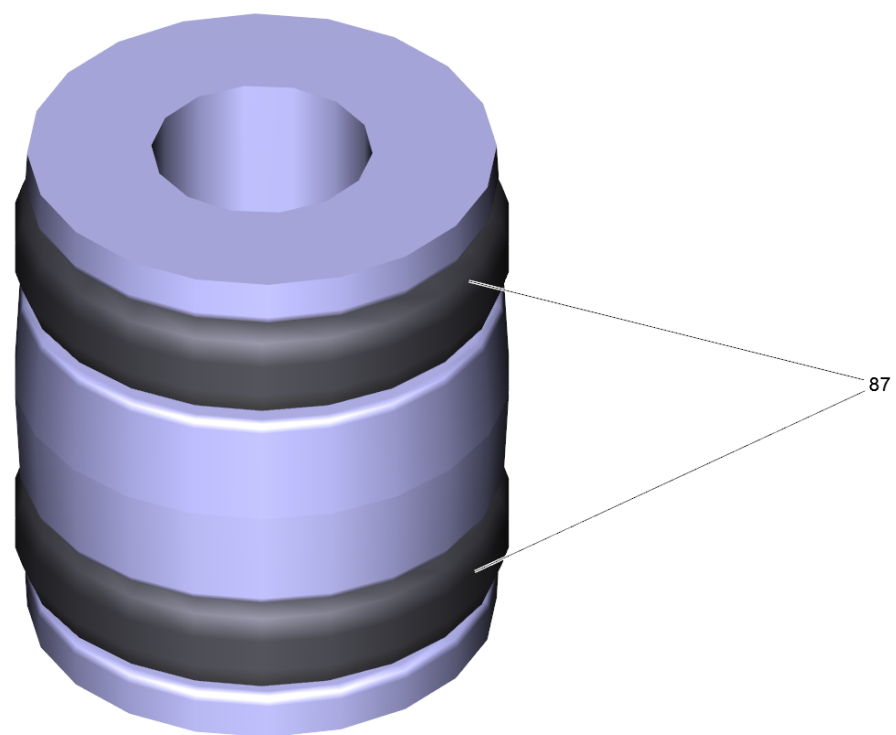
6 Nozzle insert only for replacement (4.769-034.0)

POS	Article no.	Description	Quantity	Unit
23	6.362-384.0	O-Ring seal 9x1,5 - NBR 70	2.000	ST



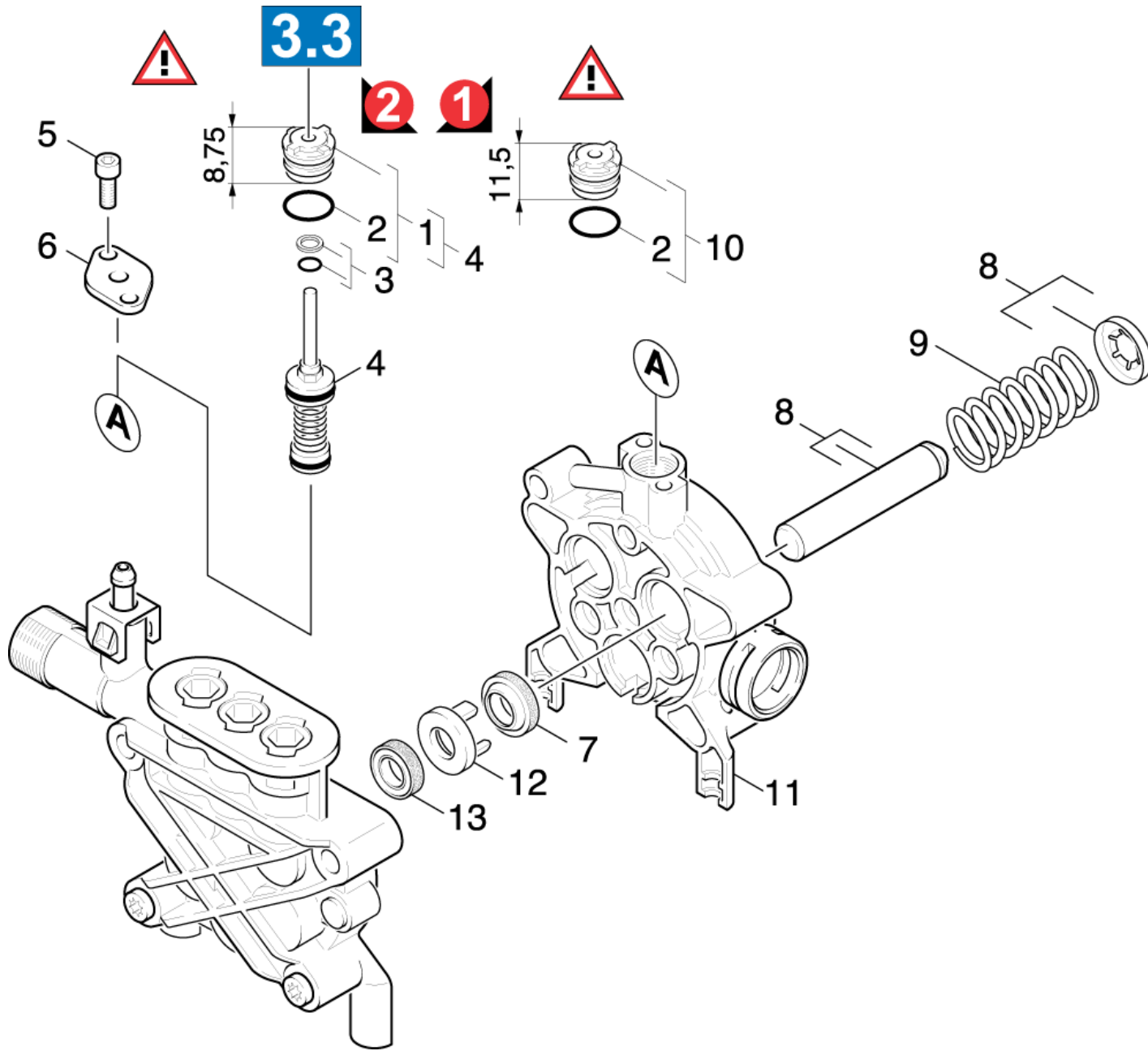
8 Valve pin complete (4.584-022.0)

POS	Article no.	Description	Quantity	Unit
208	6.363-613.0	O-Ring seal 4 x 2 -NBR90	1.000	ST



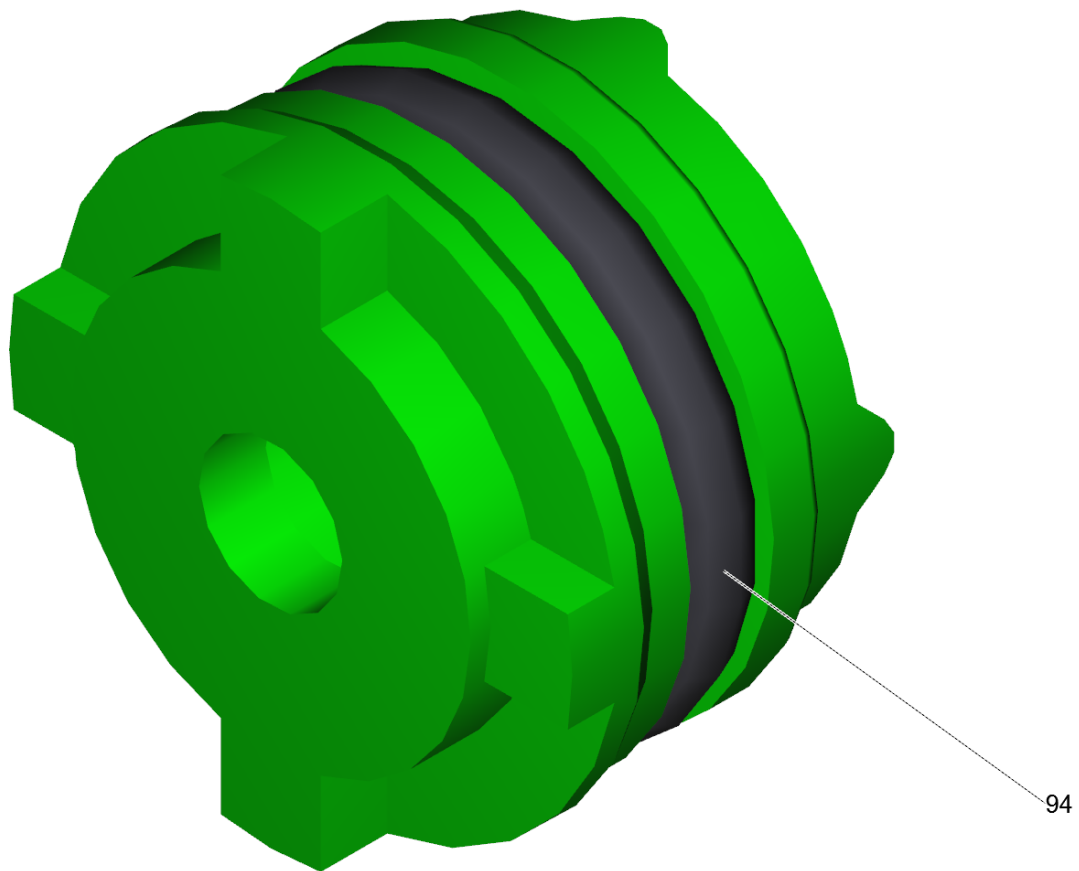
12 Joining piece only for replacement (4.030-125.0)

POS	Article no.	Description	Quantity	Unit
87	6.362-176.0	O-Ring seal 6,07x1,78	2.000	ST



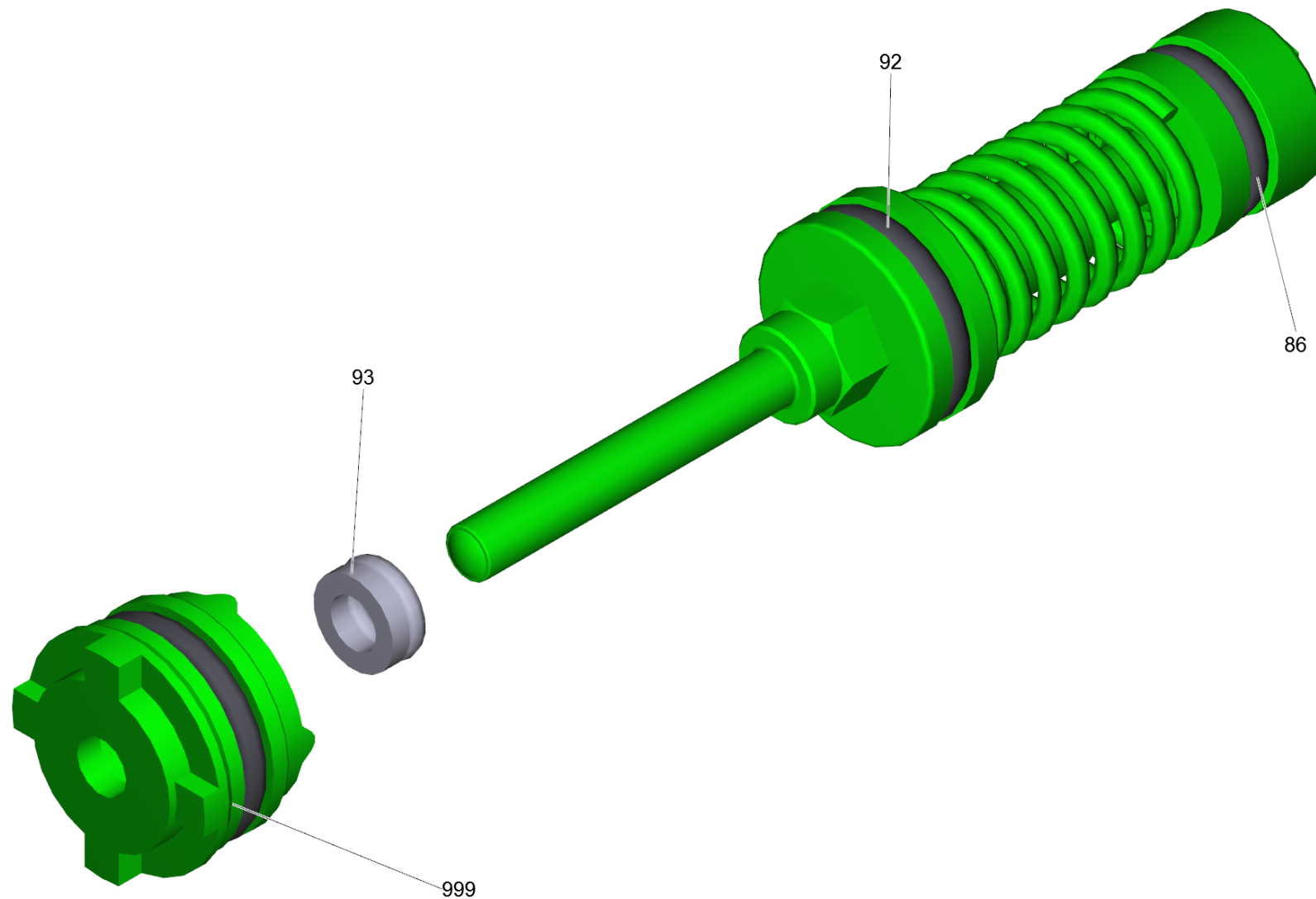
22 Piston

POS	Article no.	Description	Quantity	Unit	Remark	Foot note text
1	4.030-123.0	Moulded part complete only for replaceme	1.000	ST	VERSION 2	
2	6.362-169.0	O-Ring seal 12,0 X 2,0	1.000	ST		
3	6.362-852.0	O-Ring seal complete 3,69	1.000	ST		
4	4.580-666.0	Excess-current complete D5,7 PUR	1.000	ST		ONLY FOR RATING PLATE WITH 2,2 KW
4	4.580-665.0	Excess-current complete D6,0 PUR	1.000	ST		ONLY FOR RATING PLATE WITH 2,5 KW
5	7.303-048.0	Screw M6x20 -St-R3R (In6Rd)	2.000	ST		
6	5.064-127.0	Cover	1.000	ST		
7	6.365-393.0	Oil sealing 12x20x4/6	3.000	ST		
8	4.553-173.0	Piston complete	3.000	ST		
9	5.332-391.0	Pressure spring	3.000	ST		
10	4.030-069.0	Moulded part complete only for replaceme	1.000	ST	VERSION 1	
11	5.060-733.0	Piston guidance	1.000	ST		
12	5.115-674.0	Washer	3.000	ST		
13	6.365-394.0	Grooved ring 12x20x5,3/2,8	3.000	ST		
100	2.883-883.0	PUMP SET COMPLETE	1.000	ST		ONLY FOR RATING PLATE WITH 2,2 KW



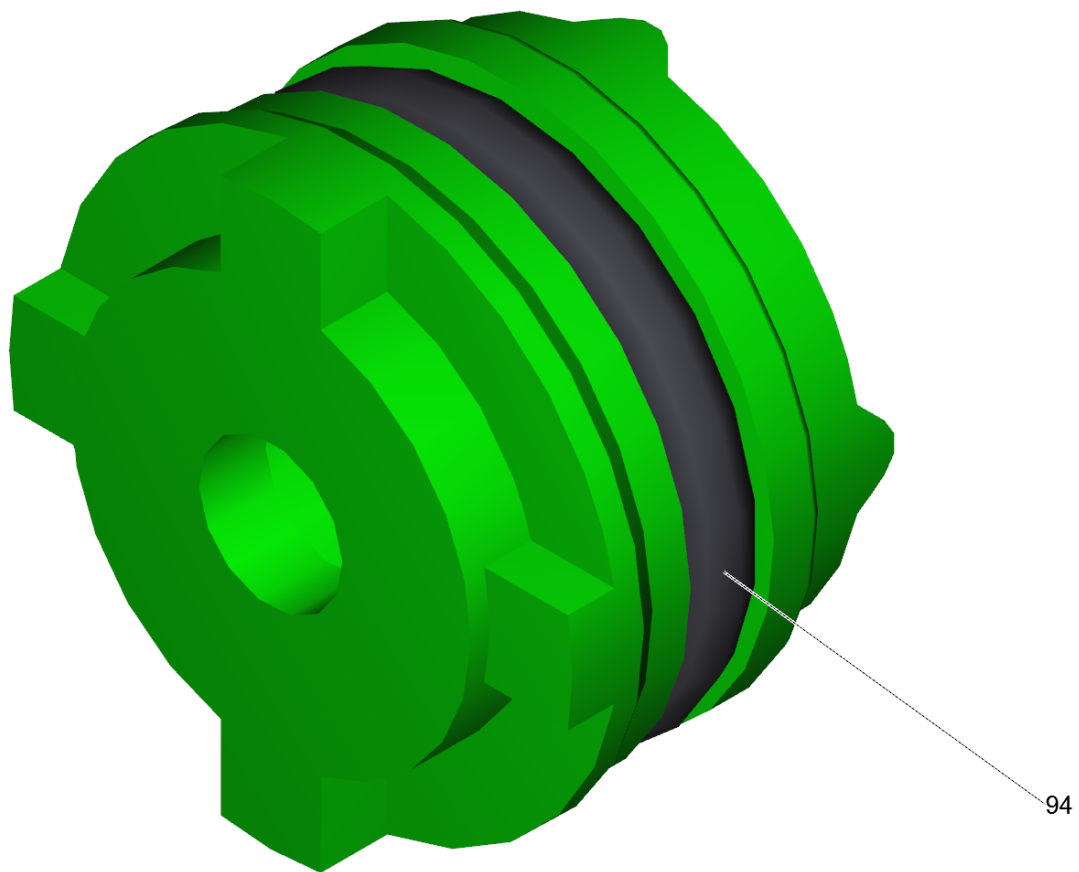
1 Moulded part complete only for replaceme (4.030-123.0)

POS	Article no.	Description	Quantity	Unit
94	6.362-169.0	O-Ring seal 12,0 X 2,0	1.000	ST



4 Excess-current complete D6,0 PUR (4.580-665.0)

POS	Article no.	Description	Quantity	Unit
86	6.363-614.0	O-Ring seal 9 x 2 -NBR90	1.000	ST
92	6.363-281.0	O-Ring seal 12.42x1.78 -PUR 84	1.000	ST
93	6.362-852.0	O-Ring seal complete 3,69	1.000	ST
999	4.030-123.0	Moulded part complete only for replaceme	1.000	ST

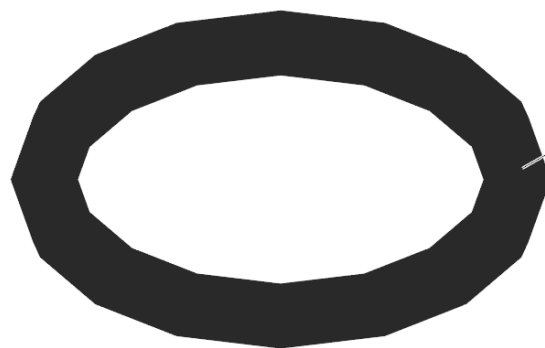
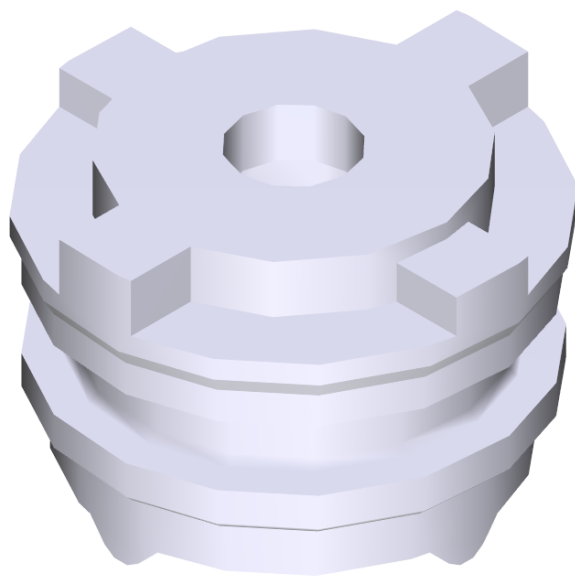


999 Moulded part complete only for replaceme (4.030-123.0)

POS	Article no.	Description	Quantity	Unit
94	6.362-169.0	O-Ring seal 12,0 X 2,0	1.000	ST

8 Piston complete (4.553-173.0)

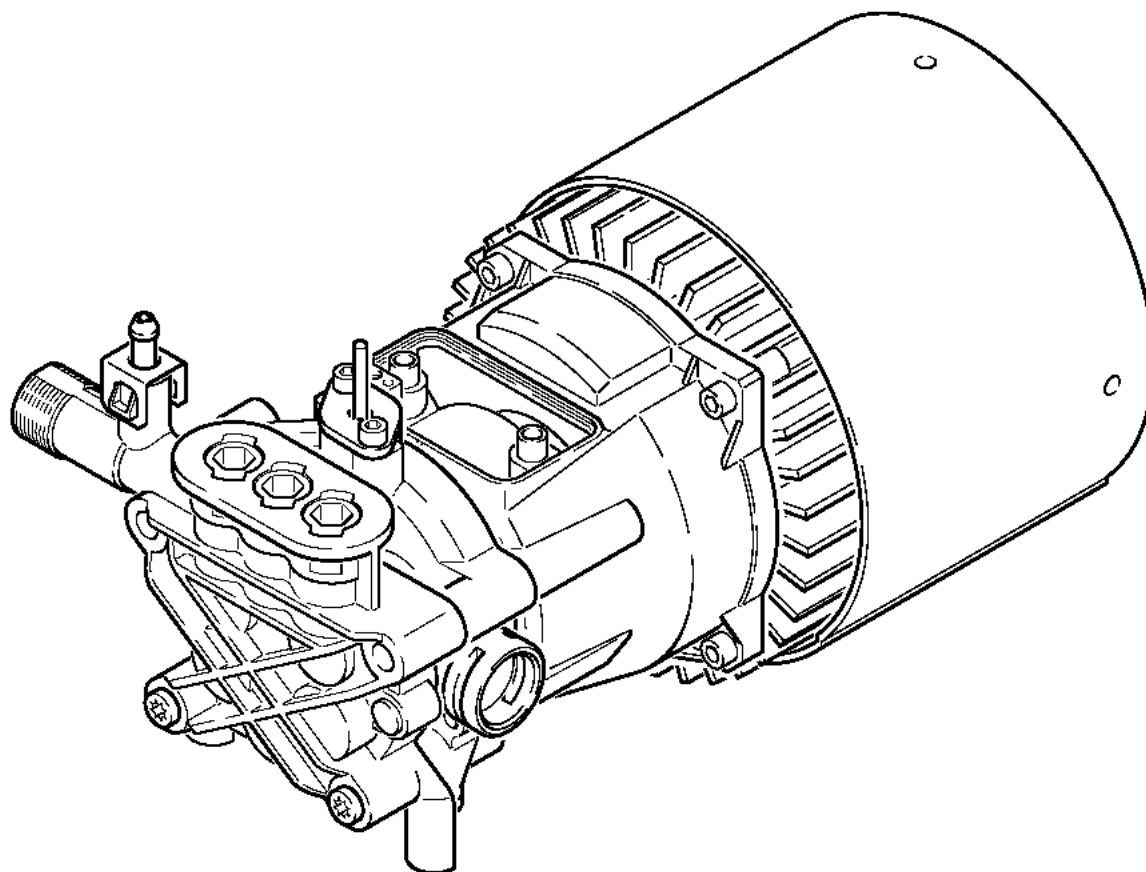
POS	Article no.	Description	Quantity	Unit
32	5.115-916.0	Lock washer piston	1.000	ST



94

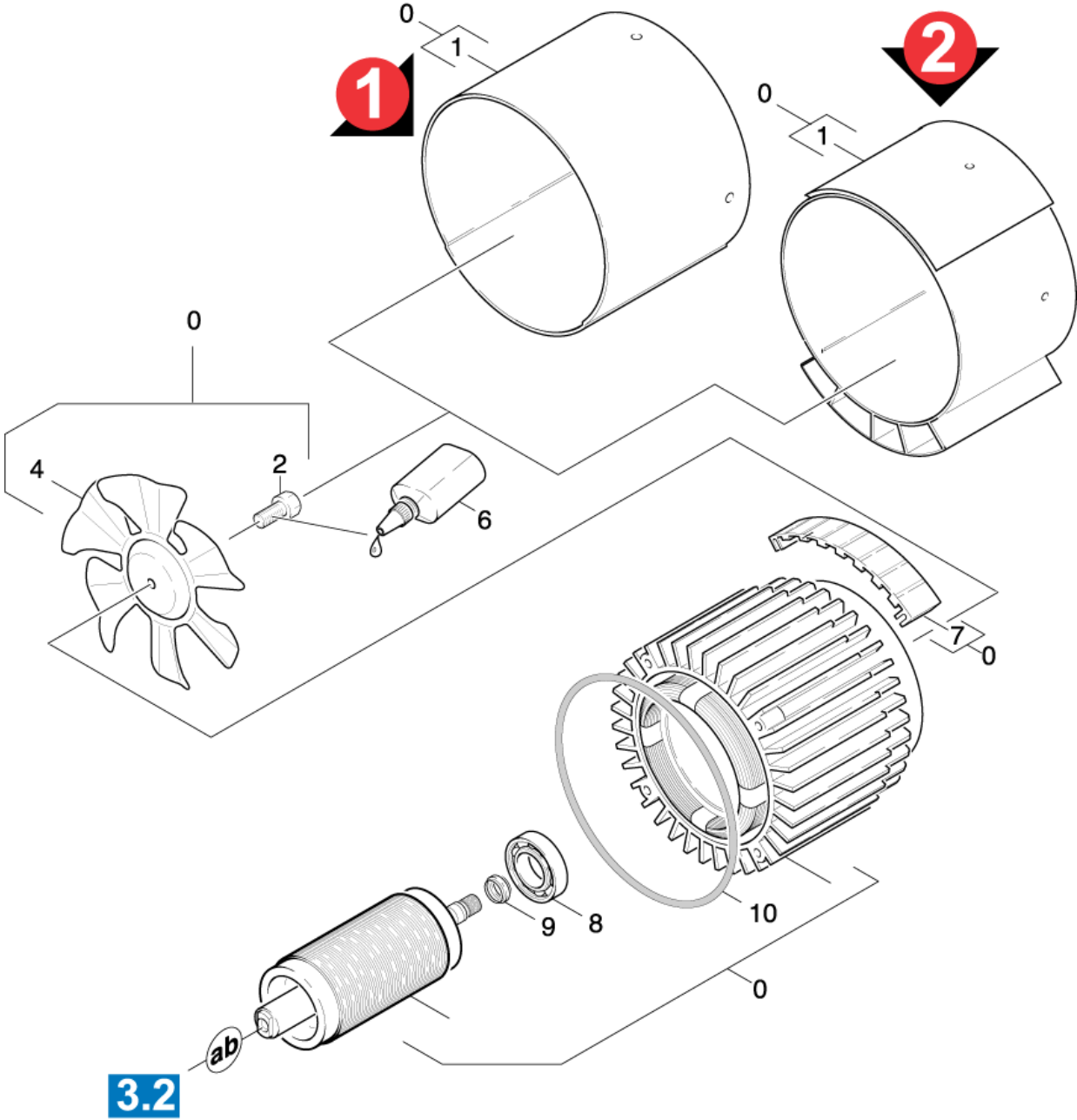
10 Moulded part complete only for replaceme (4.030-069.0)

POS	Article no.	Description	Quantity	Unit
94	6.362-169.0	O-Ring seal 12,0 X 2,0	1.000	ST



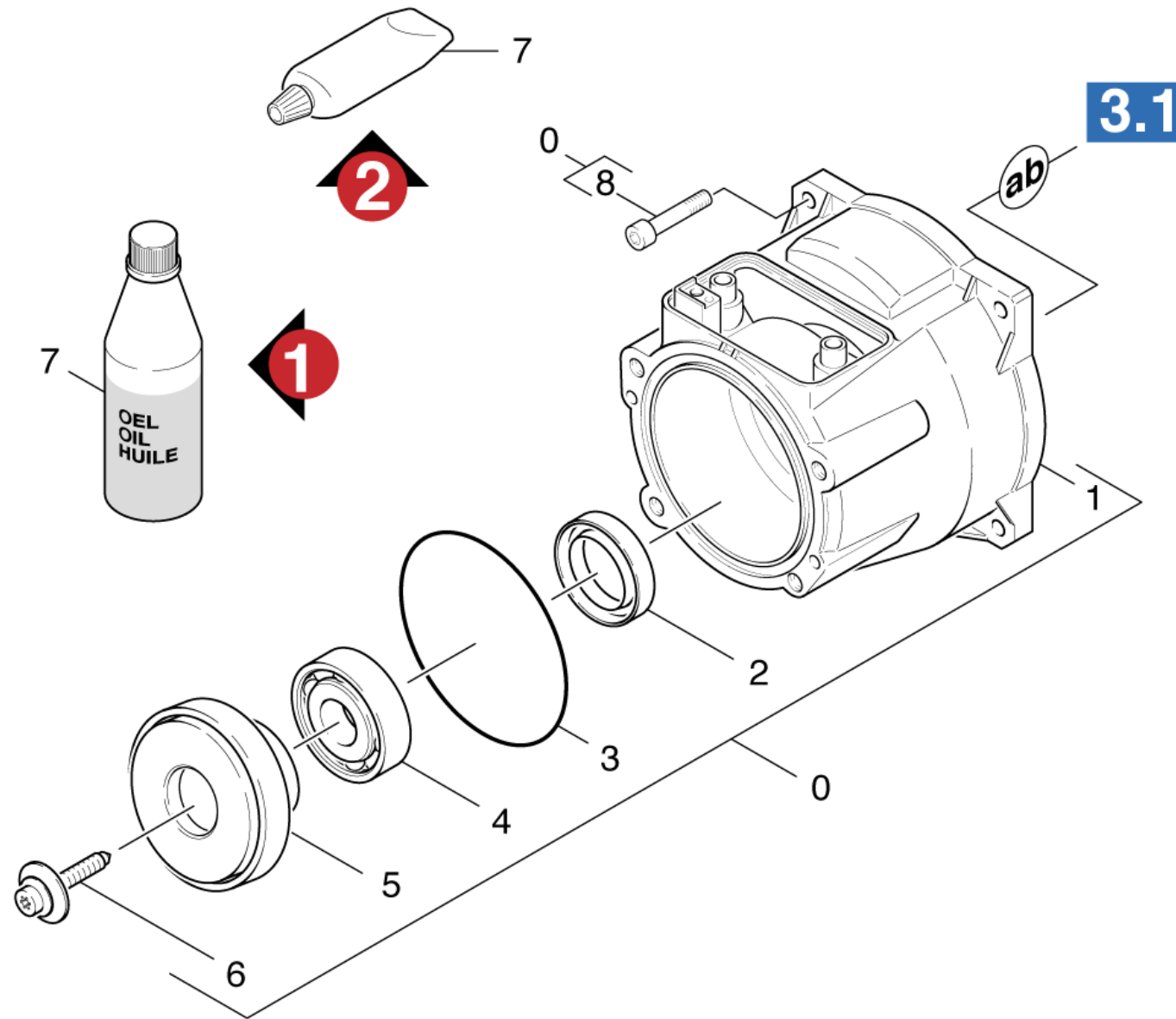
30 Motor

POS	Description	Quantity	Unit
31	Ventilation	1.000	ST
32	Transmission	1.000	ST



31 Ventilation

POS	Article no.	Description	Quantity	Unit	Remark	Foot note text
0	4.623-466.0	Motor complete only for replacement	1.000	ST	V2	ONLY FOR RATING PLATE WITH 2,2 KW
0	4.623-482.0	Motor complete 2,5kW *EU	1.000	ST		ONLY FOR RATING PLATE WITH 2,5 KW
1	5.692-052.0	AIR CIRCULATION	1.000	ST	VERSION 2	
1	5.692-037.0	Air circulation	1.000	ST	VERSION 1	
2	9.086-170.0	Hexagonal head screw M 8x16	1.000	ST		
4	5.600-061.0	Blower wheel	1.000	ST		
6	6.869-066.0	Metal bonding agent 25ML	1.000	ST		
7	5.763-039.0	Insulating	2.000	ST	VERSION 1	
8	7.401-128.0	Ball bearing 6202-2RS -Wälzl.St DIN 625	1.000	ST		
9	6.343-218.0	Tolerance ring 15x6	1.000	ST		
10	5.363-590.0	Joint ring	1.000	ST		

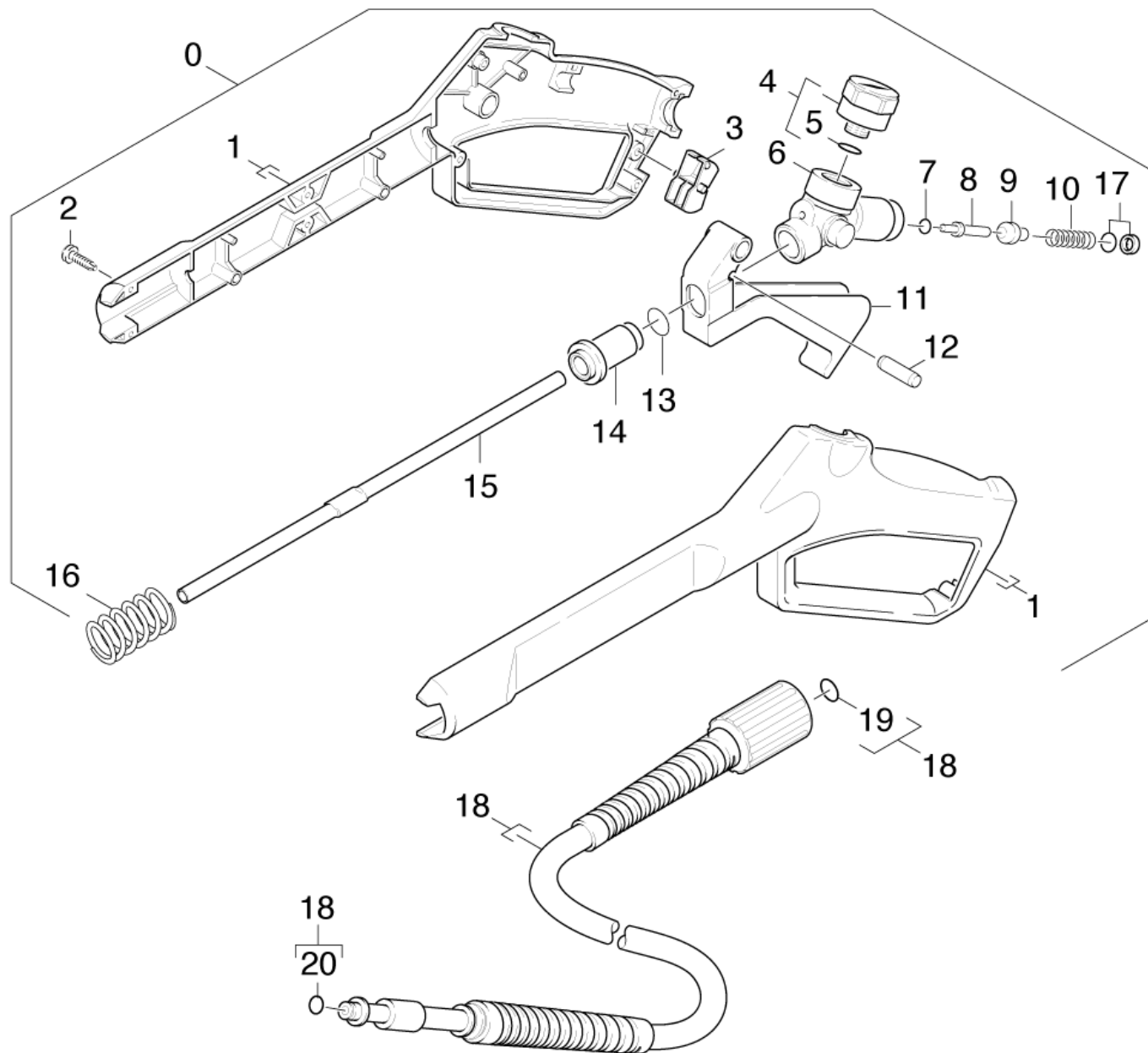


32 Transmission

POS	Article no.	Description	Quantity	Unit	Remark	Foot note text
0	4.623-482.0	Motor complete 2,5kW *EU	1.000	ST		ONLY FOR RATING PLATE WITH 2,5 KW
0	4.623-466.0	Motor complete only for replacement	1.000	ST	VERSION 2	ONLY FOR RATING PLATE WITH 2,2 KW
1	5.093-226.0	Bearing plate A	1.000	ST		
2	6.367-051.0	Rotary shaft seal -20X37X8 NBR	1.000	ST		
3	6.362-471.0	O-Ring seal 80,0 X 3,0 -NBR 70	1.000	ST		
4	7.401-155.0	Ball bearing 6304-WAELZLAGERST DIN 625	1.000	ST		
5	6.401-349.0	Wobble plate	1.000	ST		ONLY FOR RATING PLATE WITH 2,5 KW
5	6.401-300.0	Wobble plate	1.000	ST		ONLY FOR RATING PLATE WITH 2,2 KW
6	6.304-048.0	Cylinder head screw M6x19	1.000	ST		
7	6.288-050.0	Engine oil 1L	1.000	ST	VERSION 1	MOTOR 1,1L
7	6.964-092.0	Viscous oil 50ml	1.000	ST	VERSION 2	
8	6.303-320.0	Screw M 5x 20-St-R2R	4.000	ST		

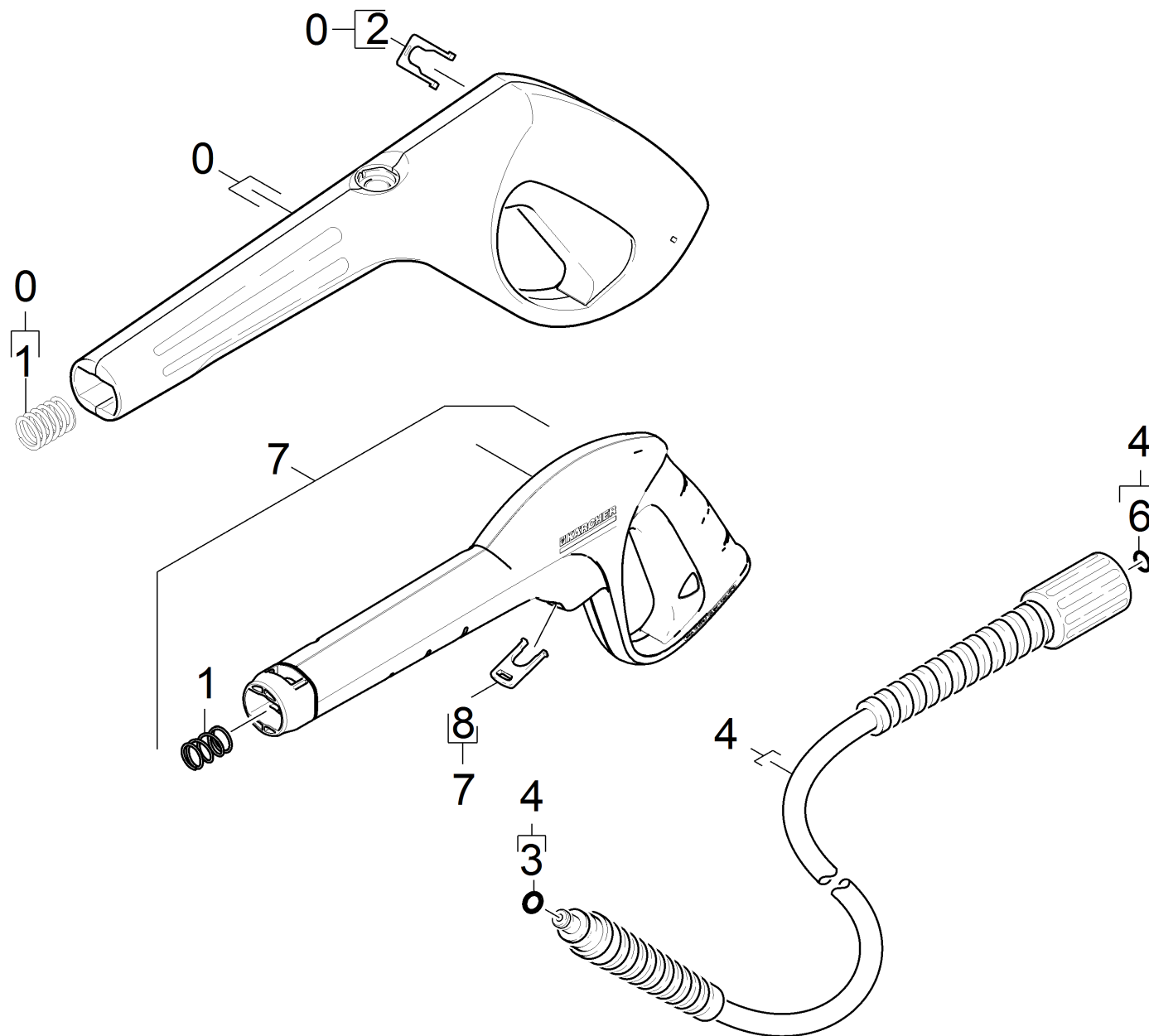
40 Accessories

POS	Description	Quantity	Unit	Remark
41	Hand trigger gun	1.000	ST	VERSION 1
42	Hand trigger gun	1.000	ST	VERSION 2
43	Hand trigger gun	1.000	ST	VERSION 3
44	Hand trigger gun	1.000	ST	VERSION 4
45	Jet pipe	1.000	ST	
46	Water filter	1.000	ST	



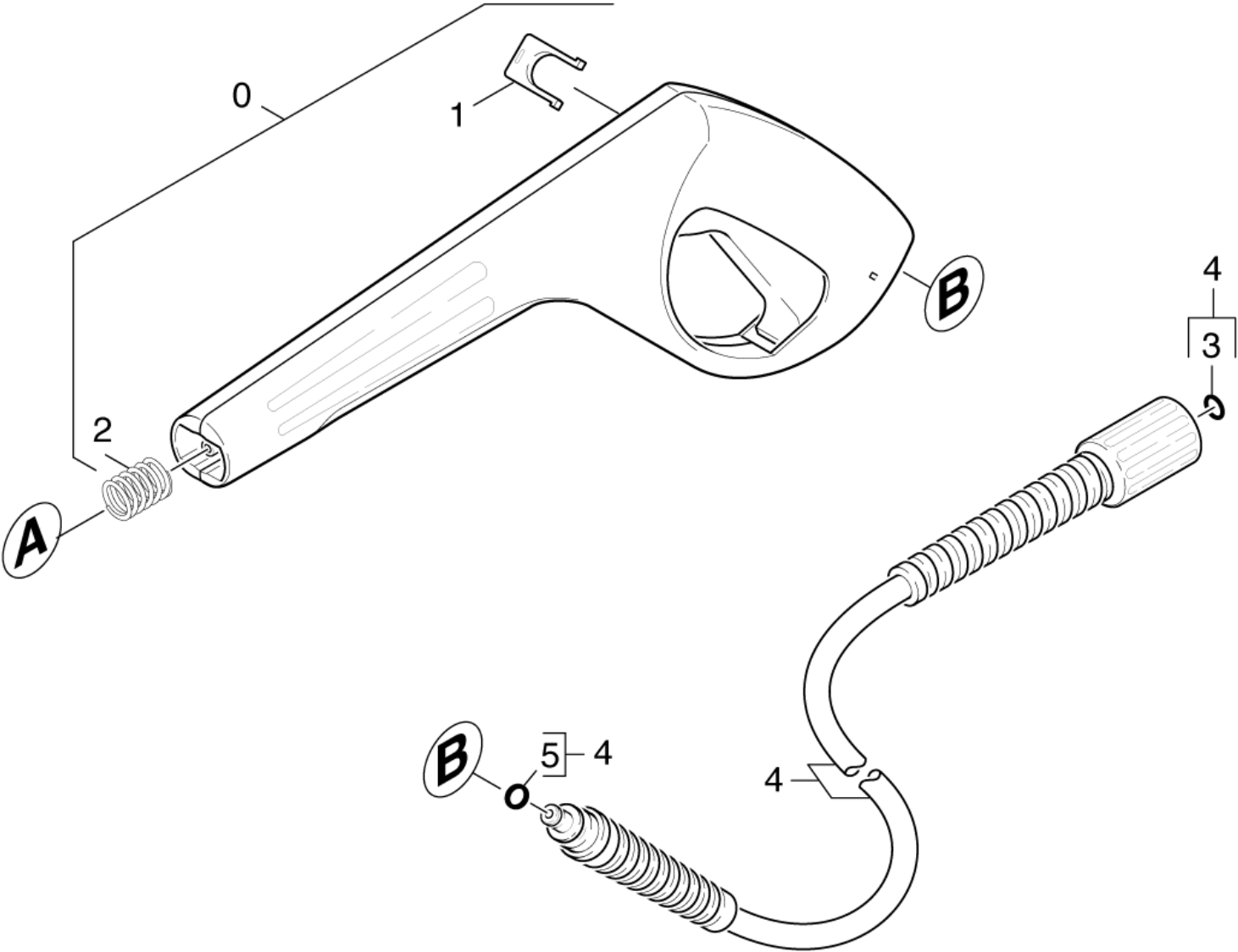
41 Hand trigger gun

POS	Article no.	Description	Quantity	Unit
0	7.777-999.0	Stockpiling discontinued	1.000	ST
1	5.030-967.0	Handhold few	1.000	ST
2	6.303-122.0	M4 .2X13 DIN 7981 TORX T15 PAN HD HI/LO	9.000	ST
3	5.481-052.0	Lever	1.000	ST
4	6.421-205.0	Pressure gauge 0-150 BAR	1.000	ST
5	2.883-782.0	O-Ring kit	1.000	ST
6	5.427-250.0	Manifold	1.000	ST
7	6.363-047.0	O-Ring seal 2,7 X 1,5 -NBR 70	1.000	ST
8	7.777-999.0	Stockpiling discontinued	1.000	ST
9	5.582-058.0	Valve disc	1.000	ST
10	5.332-157.0	Helical spring	1.000	ST
11	5.481-140.0	Lever	1.000	ST
12	5.314-082.0	Pin -BONEZZI 12.022.706	1.000	ST
13	6.362-479.0	O-Ring seal 7,59X 2,62	1.000	ST
14	5.110-539.0	Sleeve	1.000	ST
15	7.777-999.0	Stockpiling discontinued	1.000	ST
16	5.332-247.0	Helical spring	1.000	ST
17	6.363-031.0	O-Ring seal complete 1ST.-R. NBR 90	1.000	ST
18	6.389-555.0	High pressure hose 9/16MPa 60G MU=50,E	1.000	ST
19	2.880-990.0	Spare part set O-Ring 5x -Kaercher	1.000	ST
20	6.362-498.0	O-Ring seal 6,75x1,78 NBR 70	1.000	ST



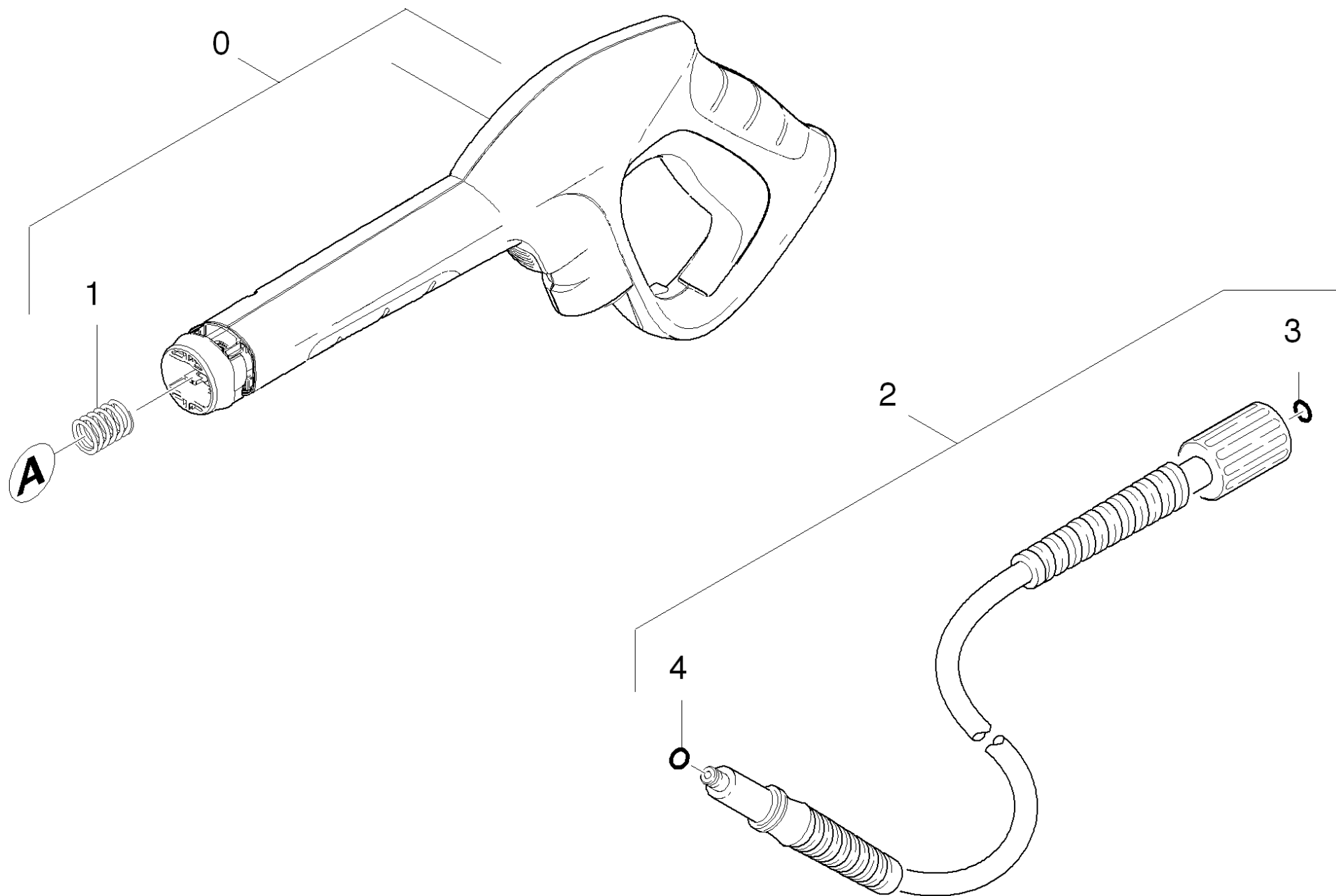
42 Hand trigger gun

POS	Article no.	Description	Quantity	Unit	Foot note text
0	7.777-999.0	Stockpiling discontinued	1.000	ST	
1	5.332-464.0	Pressure spring	1.000	ST	
2	5.037-140.0	Clamp	1.000	ST	
3	6.363-198.0	O-Ring seal 6x2 90 shore PUR	1.000	ST	
4	6.390-463.0	H 9 high pressure hose	1.000	ST	
6	2.880-990.0	Spare part set O-Ring 5x -Kaercher	1.000	ST	
7	2.641-959.0	G 160 pistol	1.000	ST	NEW VERSION
8	5.037-185.0	Clamp	1.000	ST	



43 Hand trigger gun

POS	Article no.	Description	Quantity	Unit
0	7.777-999.0	Stockpiling discontinued	1.000	ST
1	5.037-140.0	Clamp	1.000	ST
2	5.332-464.0	Pressure spring	1.000	ST
3	2.880-154.0	O-Ring kit	1.000	ST
4	6.390-463.0	H 9 high pressure hose	1.000	ST
5	6.363-198.0	O-Ring seal 6x2 90 shore PUR	1.000	ST



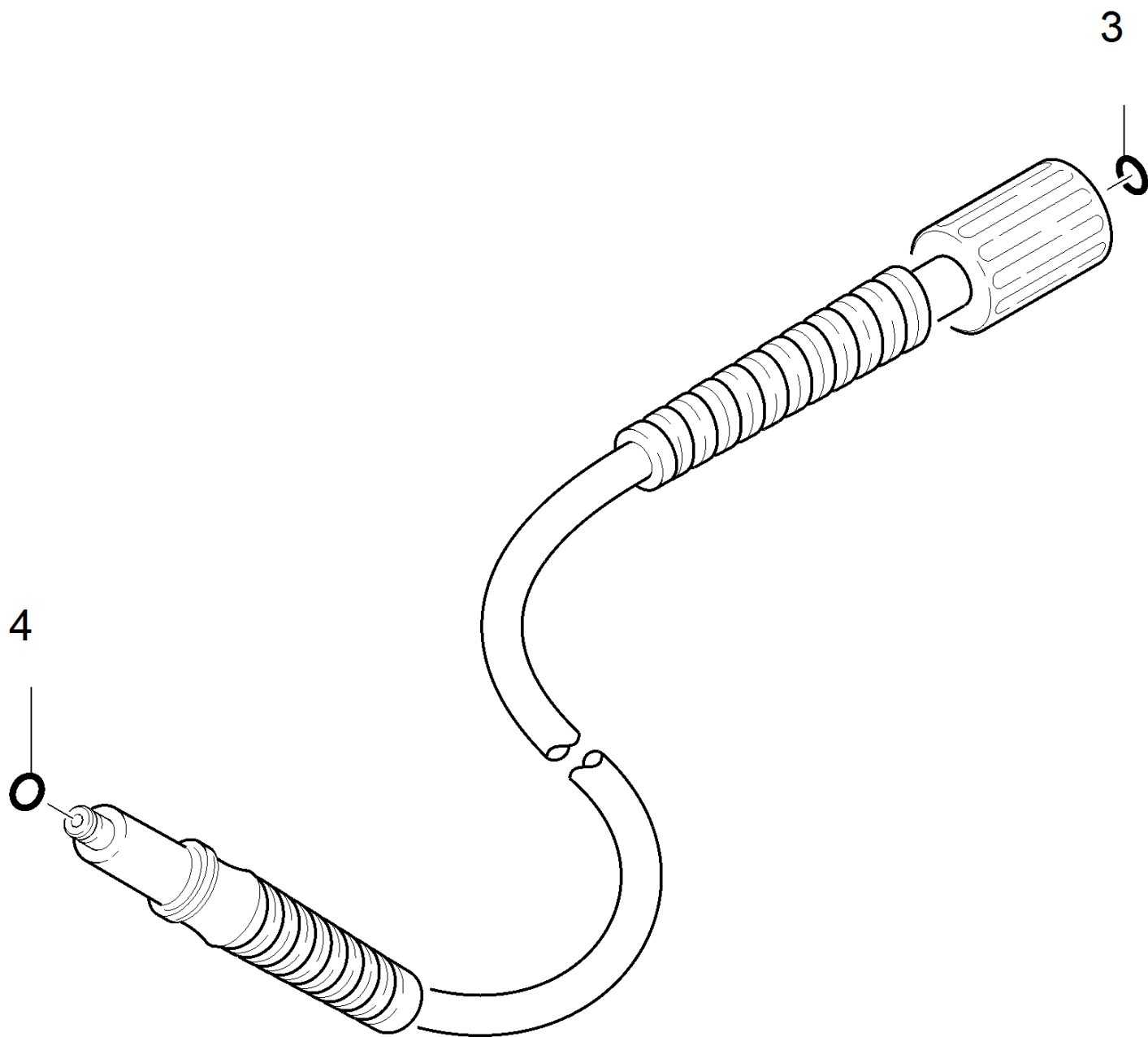
44 Hand trigger gun

POS	Article no.	Description	Quantity	Unit
0	2.642-889.0	G 180 Q Trigger gun Quick Connect	1.000	ST
1	5.332-464.0	Pressure spring	1.000	ST
2	2.641-706.0	High pressure hose 16MPa/9m 60°C, verp.	1.000	ST
3	2.880-990.0	Spare part set O-Ring 5x -Kaercher	1.000	ST
4	6.363-410.0	O-Ring seal 5,7x1,78 NBR 90Shore	1.000	ST



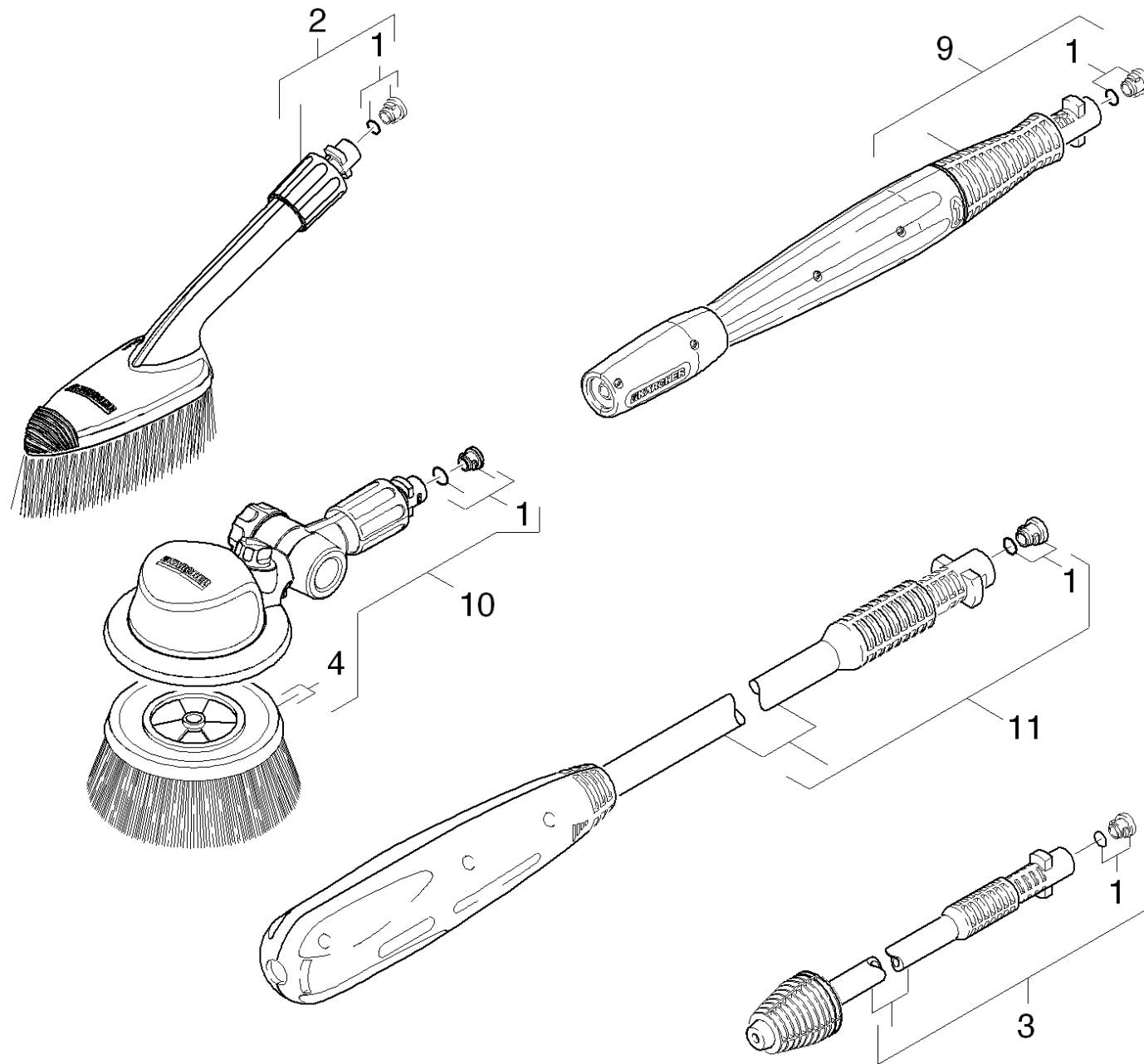
G 180 Q Trigger gun Quick Connect (2.642-889.0)

POS	Article no.	Description	Quantity	Unit
1	5.332-464.0	Pressure spring	1.000	ST



2 High pressure hose 16MPa/9m 60°C, verp. (2.641-706.0)

POS	Article no.	Description	Quantity	Unit
3	2.880-990.0	Spare part set O-Ring 5x -Kaercher	1.000	ST
4	6.363-410.0	O-Ring seal 5,7x1,78 NBR 90Shore	1.000	ST



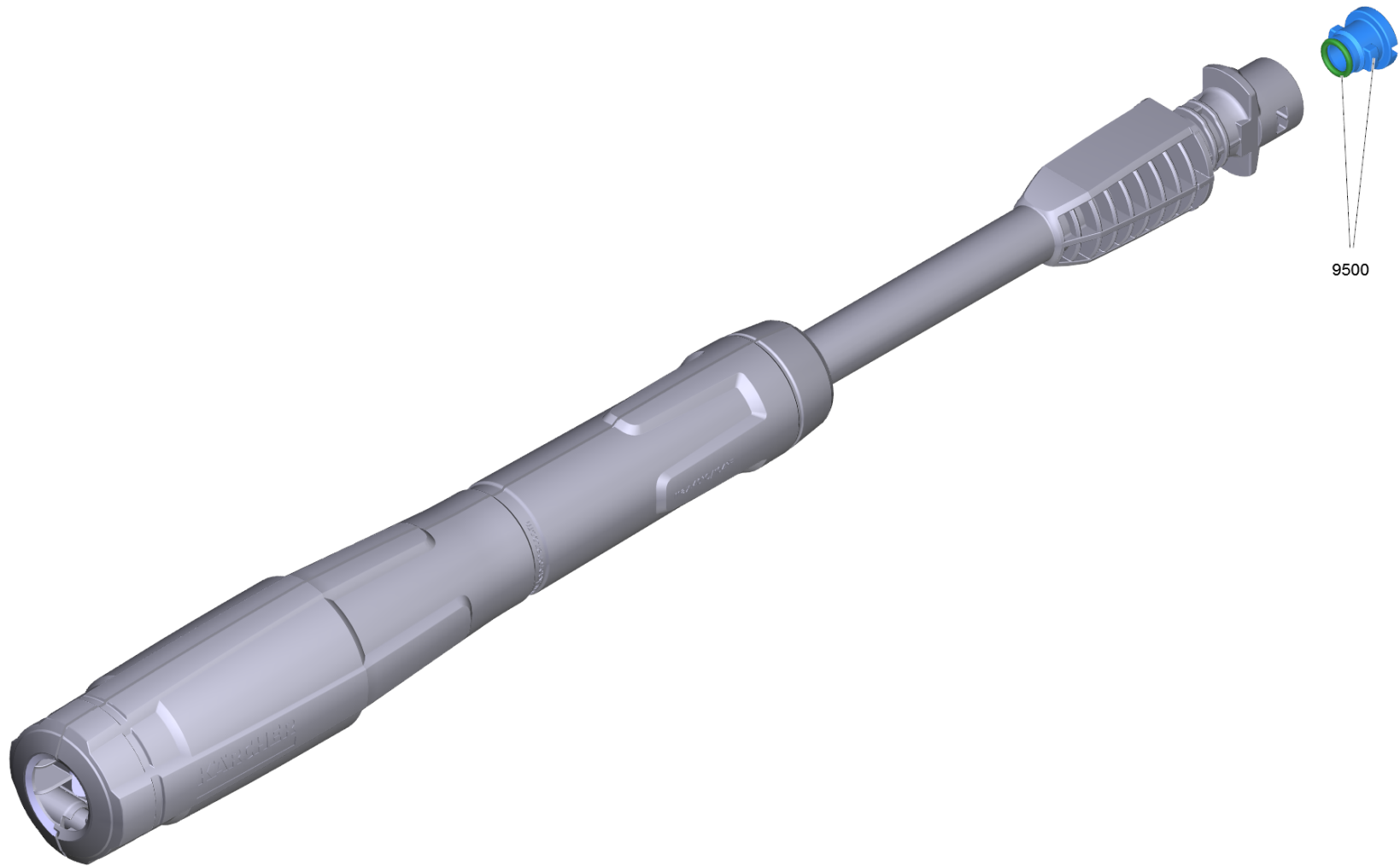
45 Jet pipe

POS	Article no.	Description	Quantity	Unit	Foot note text
1	2.640-729.0	O-Ring seal set	4.000	ST	
2	2.640-589.0	Brush lengthwise	1.000	ST	
3	4.764-211.0	Dirt blaster 0295 St	1.000	ST	
	Item text1: 1.138-305.0 /-309.0				
3	2.643-243.0	DB 160 rotor nozzle	1.000	ST	
	Item text1: / 1.138-101.0 / -104.0 / -201.0				
	Item text2: / -205.0 / -301.0 /				
4	5.762-331.0	Carrier brushes	1.000	ST	
9	2.642-725.0	VP 145 Vario Power Jet (packaged)	1.000	ST	ONLY FOR RATING PLATE WITH 2,2 KW
9	4.760-524.0	VPS K5 033	1.000	ST	ONLY FOR RATING PLATE WITH 2,5 KW
10	2.643-236.0	WB 100 washing brush	1.000	ST	
	Item text1: / 1.138-205.0				
11	7.777-999.0	Stockpiling discontinued	1.000	ST	
	Item text1: / 1.138-311.0				



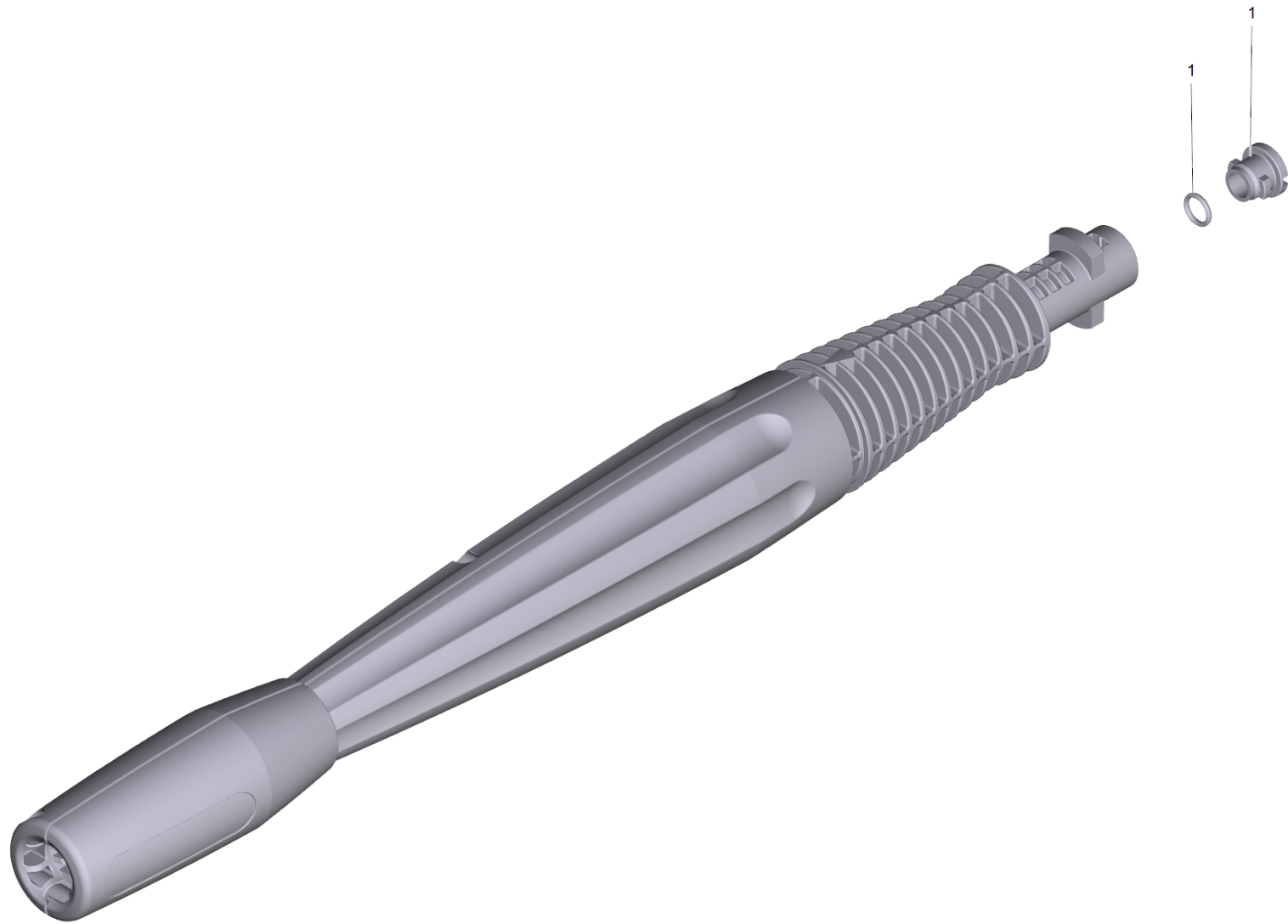
3 Dirt blaster 0295 St (4.764-211.0)

POS	Article no.	Description	Quantity	Unit
1	2.640-729.0	O-Ring seal set	1.000	ST

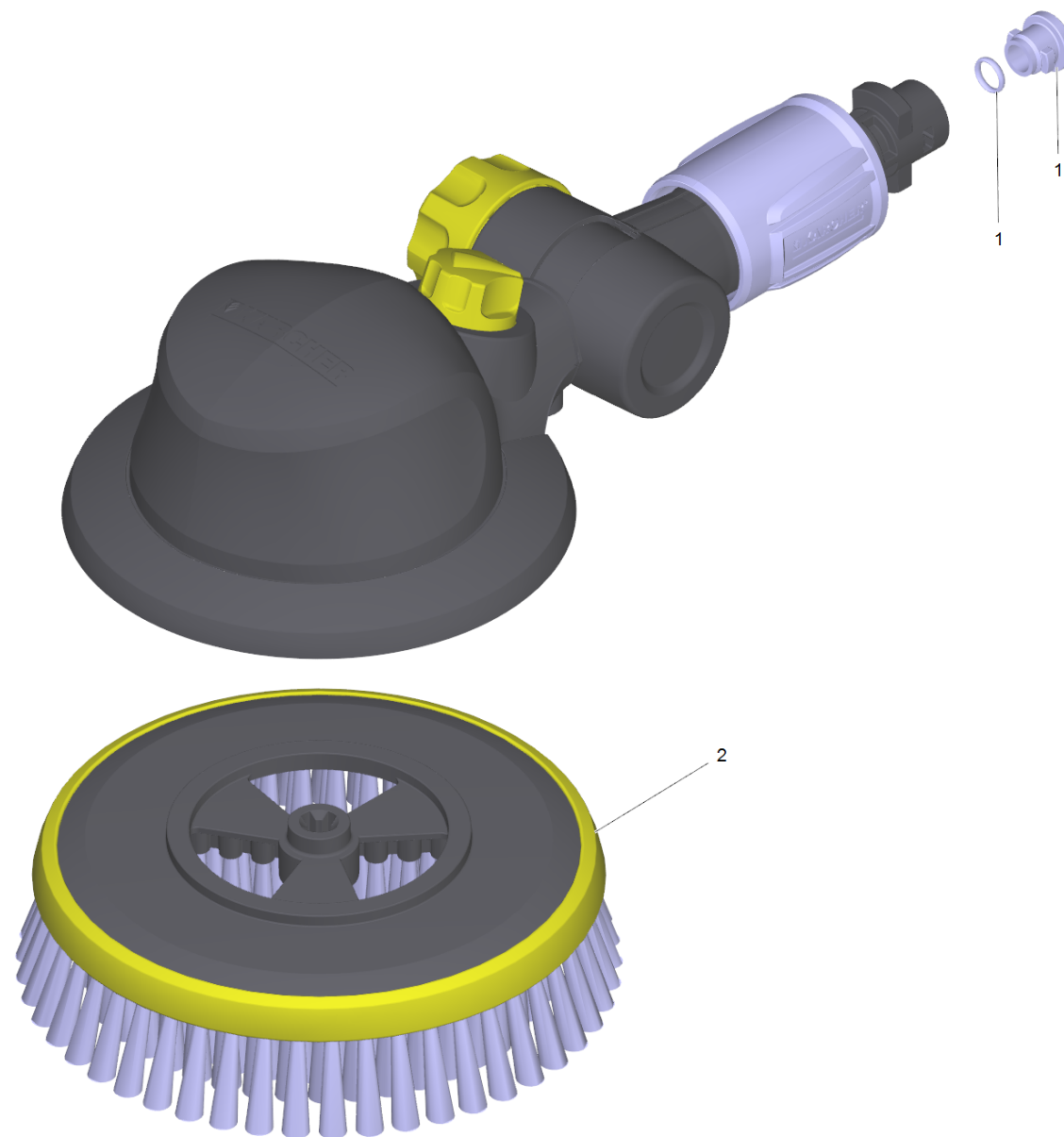


9 VP 145 Vario Power Jet (packaged) (2.642-725.0)

POS	Article no.	Description	Quantity	Unit
9500	2.640-729.0	O-Ring seal set	1.000	ST

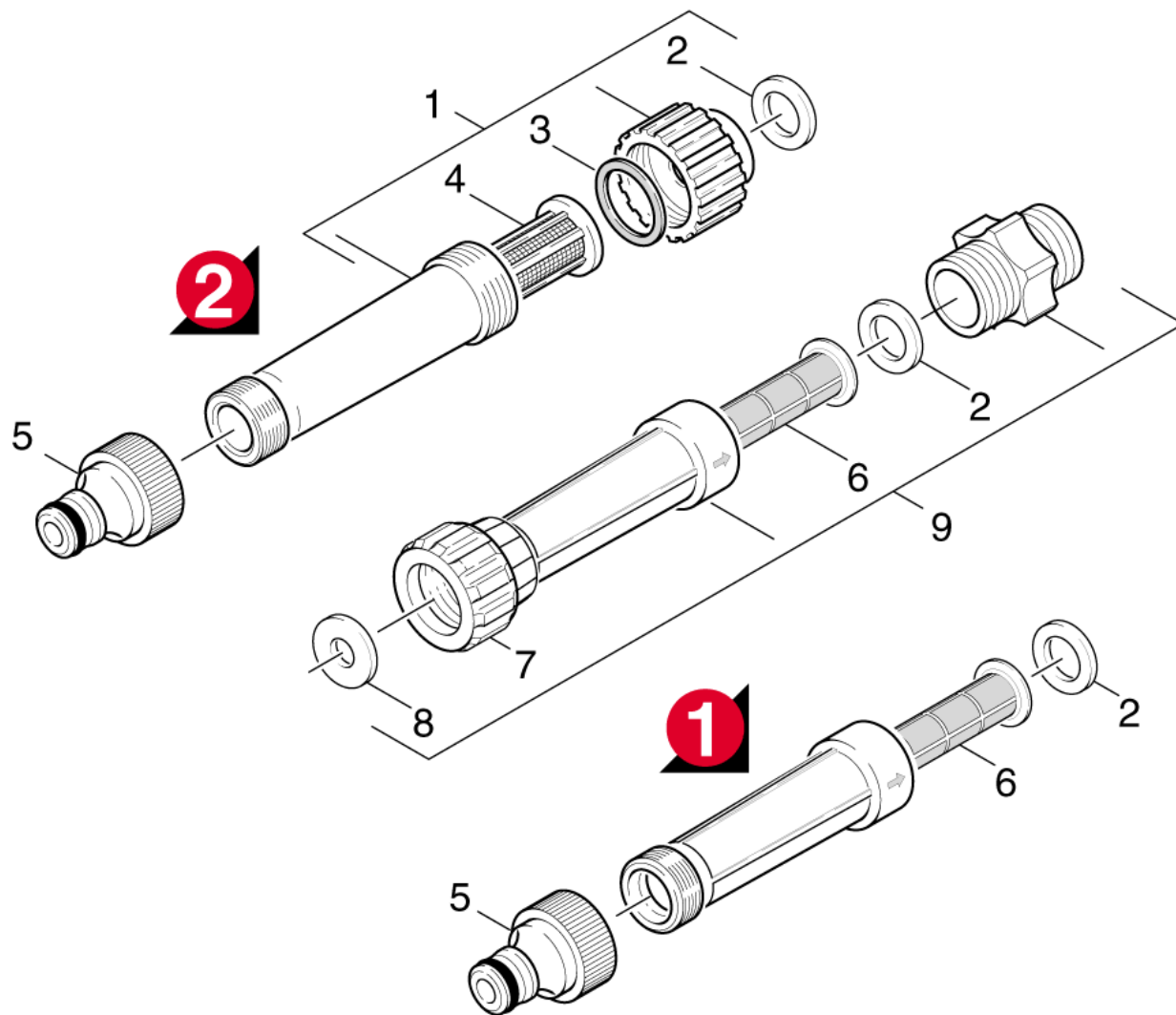


POS	Article no.	Description	Quantity	Unit
1	2.640-729.0	O-Ring seal set	1.000	ST



10 WB 100 washing brush (2.643-236.0)

POS	Article no.	Description	Quantity	Unit
1	2.640-729.0	O-Ring seal set	1.000	ST
2	5.762-331.0	Carrier brushes	1.000	ST

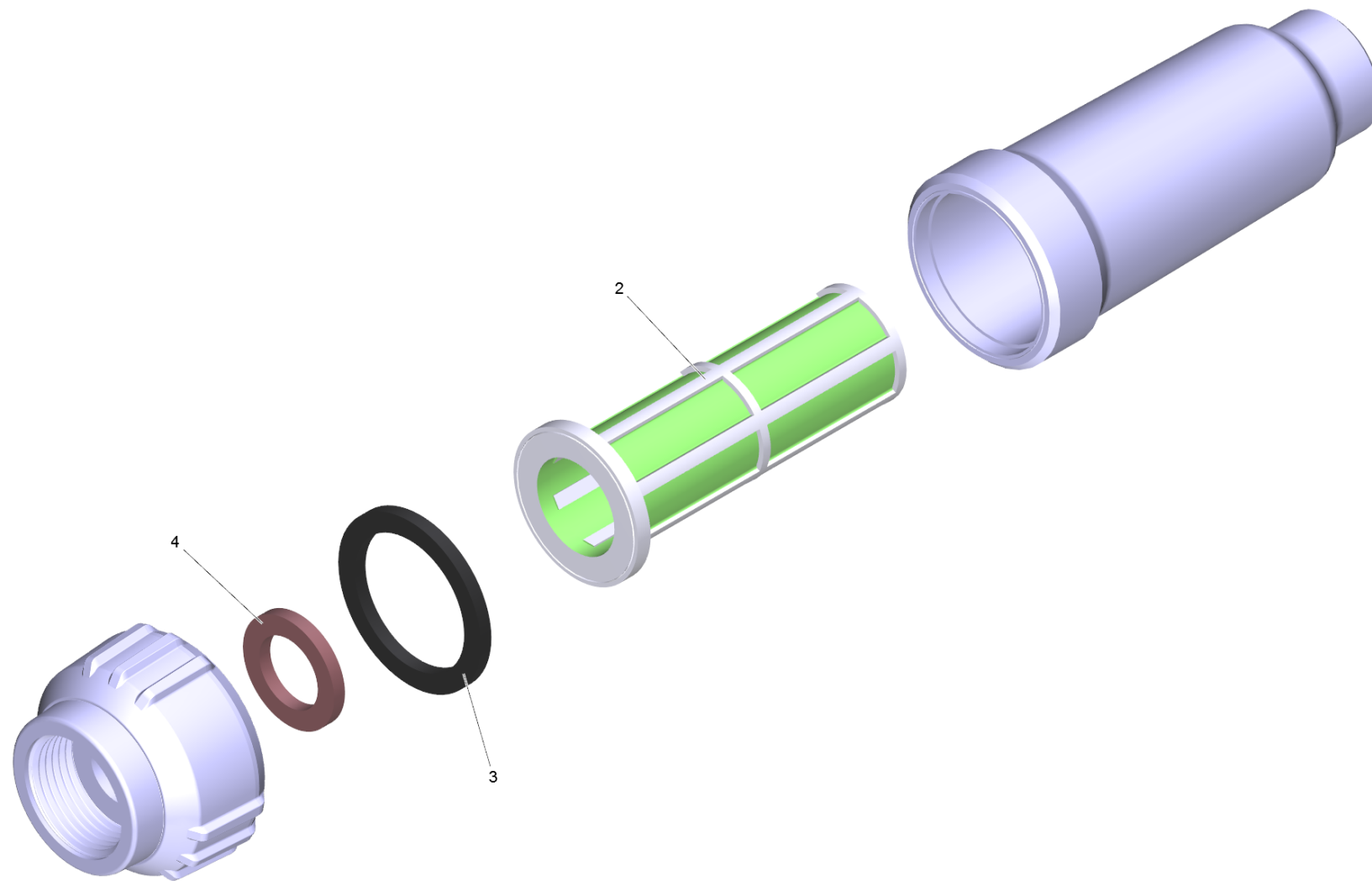


46 Water filter

POS	Article no.	Description	Quantity	Unit
1	4.730-059.0	Water filter	1.000	ST
2	5.363-545.0	Seal	1.000	ST
3	5.363-336.0	Seal	1.000	ST
4	5.731-050.0	Water filter	1.000	ST
5	6.465-031.0	Connection 3/4	1.000	ST
6	7.777-999.0	Stockpiling discontinued	1.000	ST
7	5.310-118.0	Nut	1.000	ST
8	5.364-129.0	Flat gasket	1.000	ST
9	4.730-098.0	Water filter complete packaged	1.000	ST

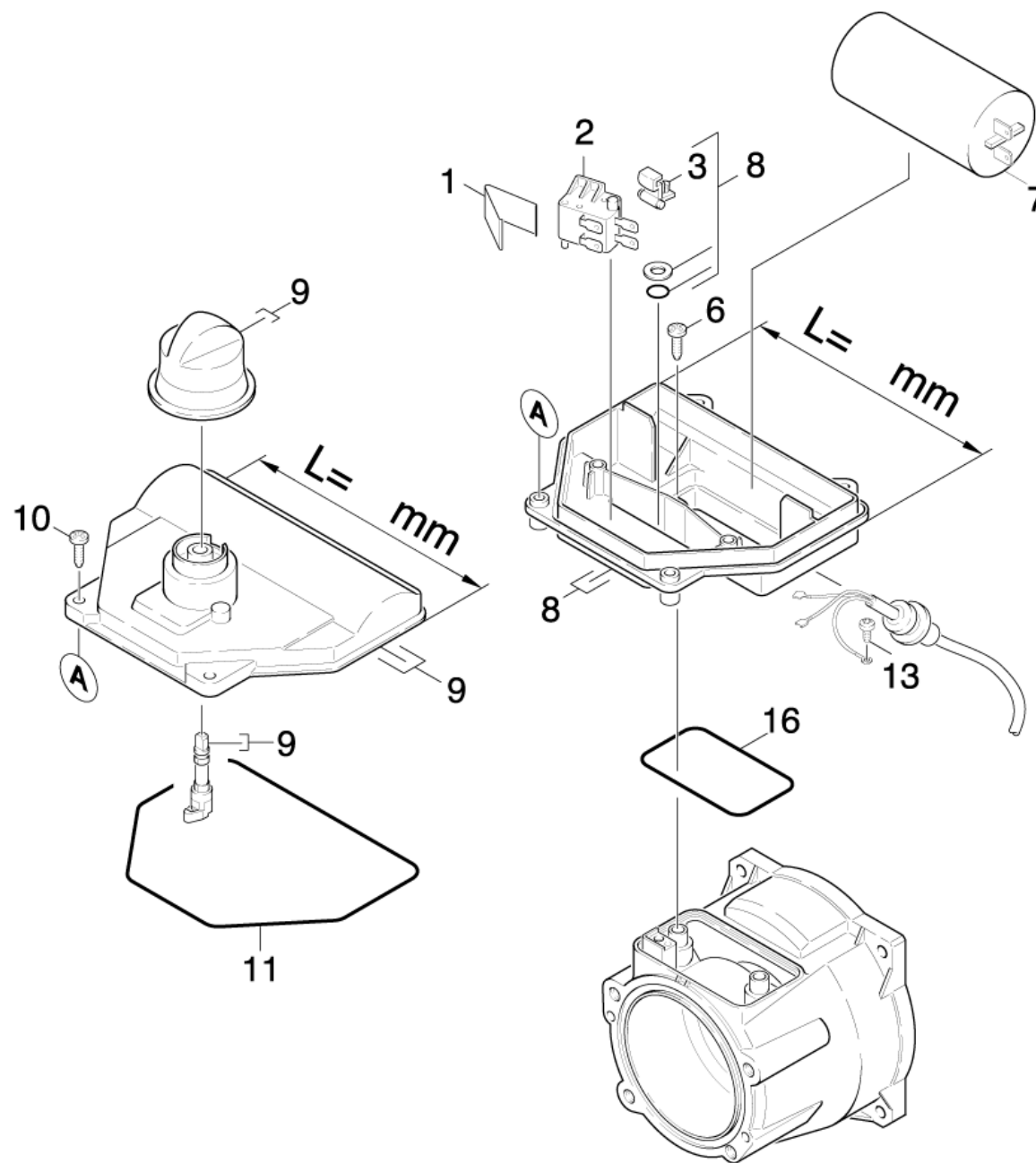
1 Water filter (4.730-059.0)

POS	Description	Quantity	Unit
1	Water filter complete	1.000	ST



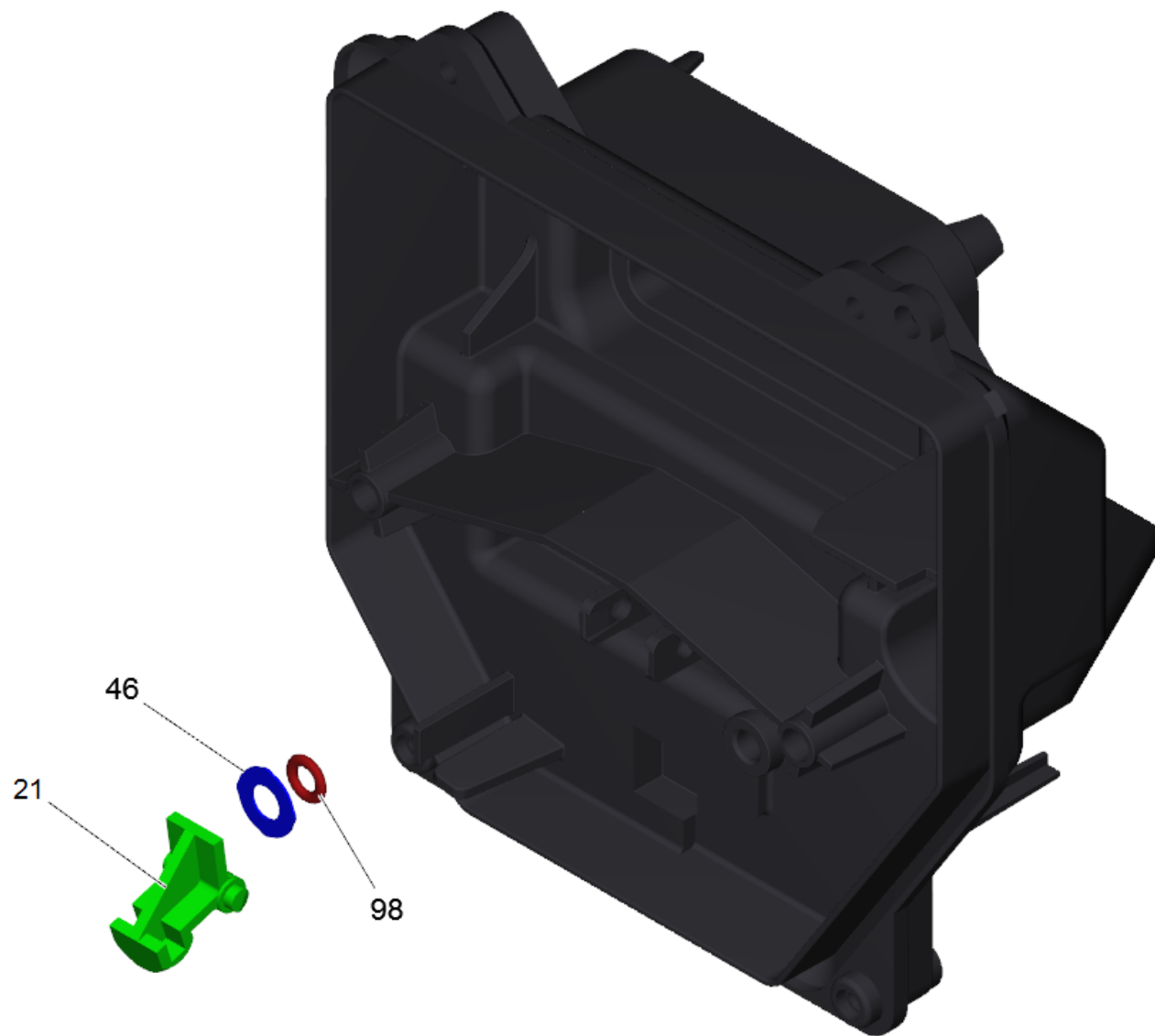
1 Water filter complete

POS	Article no.	Description	Quantity	Unit
2	5.731-050.0	Water filter	1.000	ST
3	5.363-336.0	Seal	1.000	ST
4	5.363-545.0	Seal	1.000	ST



50 Electric control box

POS	Article no.	Description	Quantity	Unit	Remark	Foot note text
1	5.337-027.0	Plate spring	1.000	ST		
2	6.631-946.0	Micro switch	1.000	ST		
3	4.047-003.0	Rocker switch complete	1.000	ST		
6	7.303-048.0	Screw M6x20 -St-R3R (In6Rd)	2.000	ST		
7	6.661-129.0	Capacitor 25MF	1.000	ST		
8	4.800-852.0	Electric box complete	1.000	ST	L=138MM	VERSION 2
8	4.800-845.0	Electric box complete only for replaceme	1.000	ST	L=158MM	VERSION 1
9	4.063-786.0	Cover electric box only for replacement	1.000	ST	L=138MM	VERSION 2
9	4.063-636.0	Cover electric box	1.000	ST	L=158MM	VERSION 1
10	6.303-125.0	Screw 5x20-Sonder In6Rd+Spitze	4.000	ST		
11	6.273-070.0	Seal string cellular rubber 4	1.000	M		TO ORDER AS CUT GOODS
13	7.303-031.0	Screw M4x10 -St-P2R (In6Rd)	1.000	ST		
16	6.362-887.0	O-Ring seal 65,0 X 2,5	1.000	ST		



8 Electric box complete (4.800-852.0)

POS	Article no.	Description	Quantity	Unit
21	4.047-003.0	Rocker switch complete	1.000	ST
46	5.115-610.0	Washer	1.000	ST
98	6.506-019.0	O-Ring seal 3,68X 1,78	1.000	ST